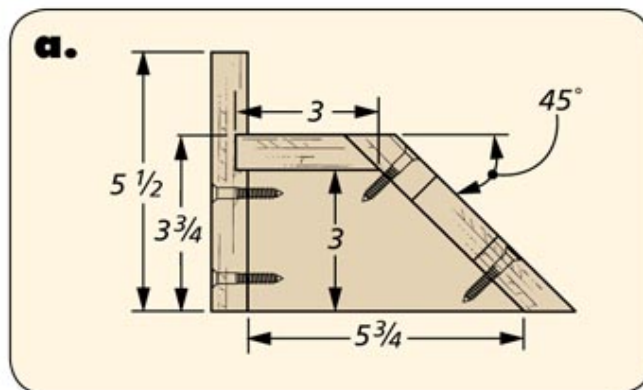
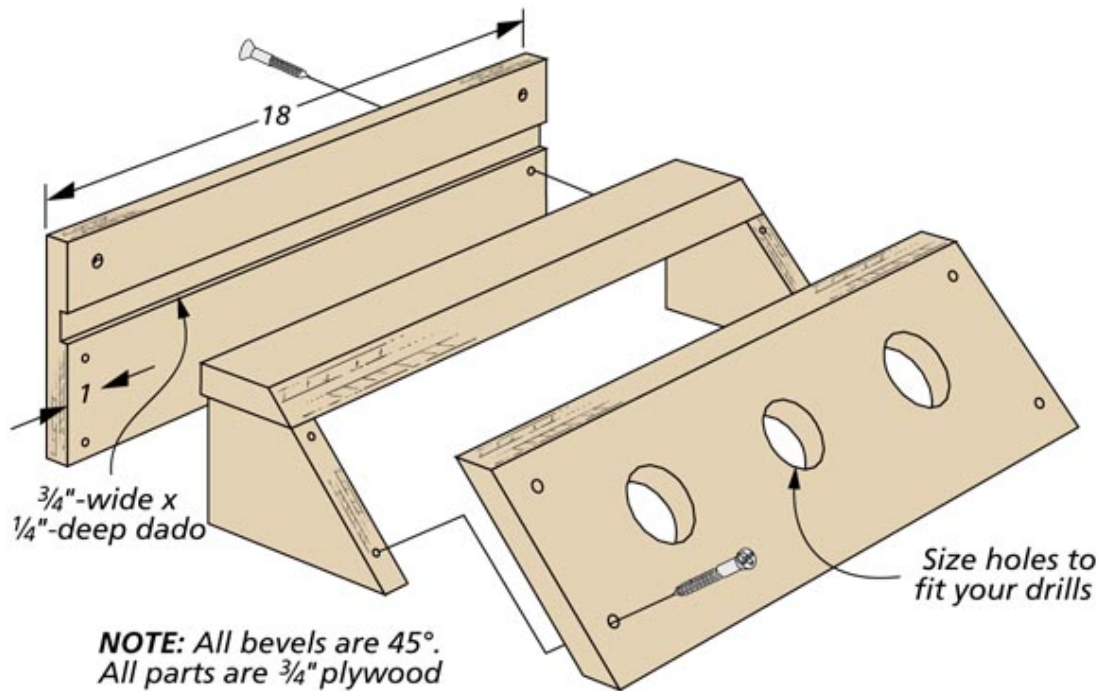




I needed a handy place to store my hand-held drills and accessories. So I built a home for all my drills that gives me quick and easy access. The result is the drill dock you see here.



The dock is made entirely from 3/4" plywood. To build it, I drilled a series of holes in an angled shelf front. The holes are sized to accept the chuck on each drill that I own. The shelf front is supported by a pair of braces and a small top. These are attached to a plywood back that hangs on the wall.

Now all I have to do is slide a drill in one of the waiting docks. This way I always know where my drills are stored.