

# Instructions for Parts Books

The heading at the top of the page will be the same for the picture of the parts as it is for the page with the part numbers.

Definition of column headings on part number pages:

**REF.No** → The number referring to the part on the picture page of the parts book.

**Part No.** → The number assigned to this part at the time of printing the parts book.

**Description** → Description of part.

**Q'ty** → Quantity of part used on that page.

**S.No.** → Serial number range of the equipment that this part will fit.

>= Your serial number should be greater than or equal to the number shown.

<= Your serial number should be lesser than or equal to the serial number shown.

**I/C** → Interchangeability of part shown.

↔ The part shown will work for the older and later serial number.

# The part shown is not interchangeable with the other serial number.

← new for old

→ old for new

**Remarks** → Notes about this particular part. Sometimes this may say except [FR] or [CA]

## Note about Country Codes:

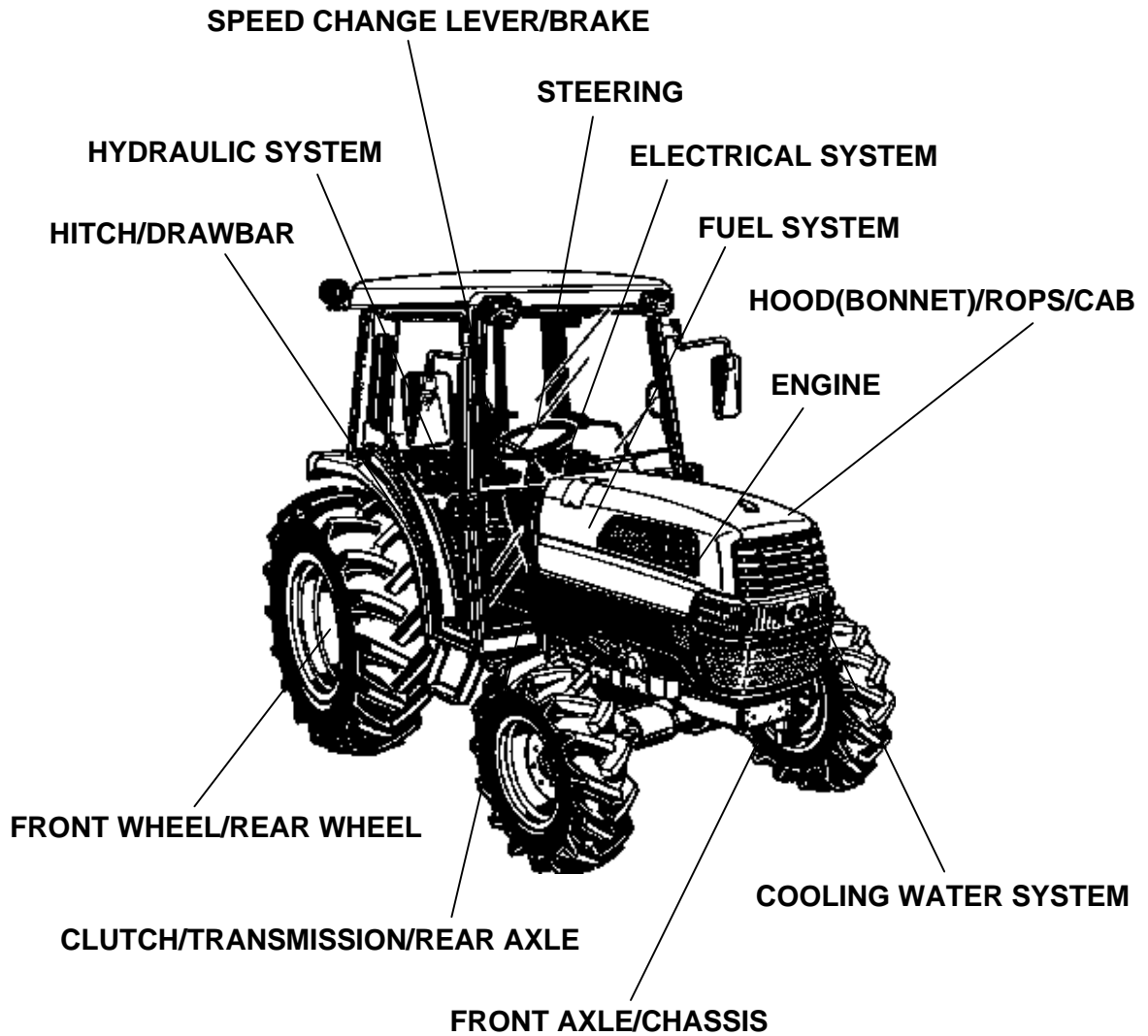
The parts books we use in the United States of America may also contain information about a part that would be different in another country. It is important that you are aware of the country codes in some instances.

Symbol	Country
A	United States of America
CA	Canada
FR	France
GR	Greece
PO	Portugal
AU	Australia

If the remarks column says for example EXCEPT [FR] this part works in all countries except France. That means it will work here in the USA.

ALL PRODUCT INDEX  
L3130DT/GST/HST

---



LABELS

OPTION

ACCESSORIES

Item	Part No.	Description	Book	
ENGINE	01000101	CRANKCASE	100K0721	
	01000201	OIL PAN	100K0721	
	01000301	CYLINDER HEAD	100K0721	
	01000401	GEAR CASE [ROPS TYPE]	100K0721	
	01000501	HEAD COVER [OLD TYPE]	100K0721	
	01000502	HEAD COVER [NEW TYPE]	100K0721	
	01010001	MAIN BEARING CASE [OLD TYPE]	100K0721	
	01010002	MAIN BEARING CASE [NEW TYPE]	100K0721	
	010101	CAMSHAFT AND IDLE GEAR SHAFT	100K0721	
	01010201	PISTON AND CRANKSHAFT	100K0721	
	01010302	FLYWHEEL [EXCEPT HST TYPE]	100K0721	
	01010303	FLYWHEEL [HST TYPE]	100K0721	
	01010501	FUEL CAMSHAFT	100K0721	
	010200	ENGINE STOP LEVER	100K0721	
	010202	INJECTION PUMP	100K0721	
	010204	GOVERNOR	100K0721	
	010205	SPEED CONTROL PLATE	100K0721	
	010206	NOZZLE HOLDER AND GLOW PLUG	100K0721	
	010207	NOZZLE HOLDER [COMPONENT PARTS]	100K0721	
	01050001	WATER FLANGE AND THERMOSTAT [ROPS TYPE]	100K0721	
	010501	WATER PUMP	100K0721	
	010600	VALVE AND ROCKER ARM	100K0721	
	010601	INLET MANIFOLD	100K0721	
	010603	EXHAUST MANIFOLD/MUFFLER	100K0721	
	01060401	AIR CLEANER [ROPS TYPE]	100K0721	
	01090101	UPPER GASKET KIT	100K0721	
	01090201	LOWER GASKET KIT	100K0721	
	01A01001	ACCELERATOR LEVER [ROPS TYPE]	100K0721	
	01A020	ACCELERATOR PEDAL [EXCEPT HST TYPE]	100K0721	
	FUEL SYSTEM	01A101	FUEL TANK	100K0721
		01A11001	FUEL PIPE AND FUEL FILTER [ROPS TYPE]	100K0721
		01A120	FUEL FILTER	100K0721
		01A130	FUEL FILTER [COMPONENT PARTS]	100K0721
	COOLING WATER SYSTEM	01A401	FAN	100K0721
		01A410	WATER PIPE	100K0721
		01A42001	RADIATOR [EXCEPT HST TYPE] [ROPS TYPE]	100K0721
		01A42002	RADIATOR [HST TYPE] [ROPS TYPE]	100K0721
	ELECTRICAL SYSTEM	01A43001	RESERVE TANK [ROPS TYPE]	100K0721
		01A51501	ALTERNATOR	100K0721
		01A52001	ALTERNATOR [COMPONENT PARTS] [ROPS TYPE]	100K0721
		01A52501	STARTER	100K0721
		01A53001	STARTER [COMPONENT PARTS]	100K0721
		01A535	BATTERY	100K0721
		01B10201	SWITCH/RELAY [ROPS TYPE]	100K0721
		01B10301	SWITCH/SENSOR [EXCEPT CAB [CA] TYPE]	100K0721
		01B10401	SWITCH [MANUAL T/M TYPE]	100K0721
		01B10402	SWITCH [GST TYPE]	100K0721
01B10403		SWITCH [HST TYPE]	100K0721	
01B11501		PANEL BOARD [ROPS TYPE]	100K0721	
01B120		PANEL BOARD [COMPONENT PARTS]	100K0721	
01B303		HEAD LIGHT	100K0721	
01B311		HAZARD LIGHT [ROPS TYPE]	100K0721	
01B31201		REAR LAMP [ROPS TYPE]	100K0721	
01B50301		ELECTRICAL WIRING [MANUAL T/M TYPE]	100K0721	
01B50302	ELECTRICAL WIRING [GST TYPE]	100K0721		
01B50303	ELECTRICAL WIRING [HST TYPE] [ROPS TYPE]	100K0721		
CLUTCH/TRANSMISSION/REAR AXLE	01C10101	CLUTCH	100K0721	

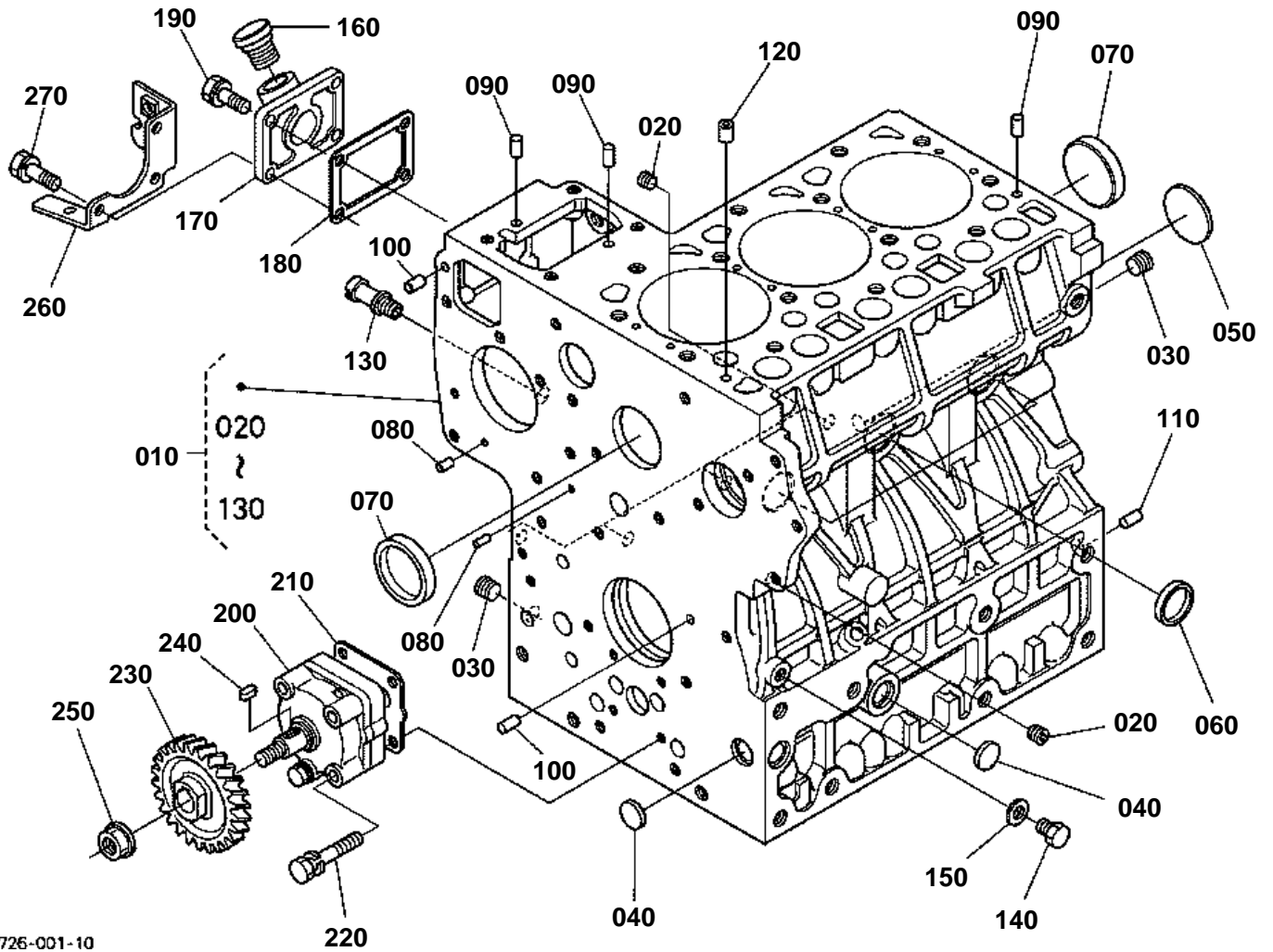
Item	Part No.	Description	Book	
CLUTCH/TRANSMISSION/REAR AXLE	01C20101	CLUTCH LEVER [EXCEPT HST TYPE]	100K0721	
	01C20102	CLUTCH LEVER [HST TYPE]	100K0721	
	01C30101	CLUTCH PEDAL [EXCEPT HST TYPE]	100K0721	
	01C30102	CLUTCH PEDAL [HST TYPE] [ROPS TYPE]	100K0721	
	01C40102	CLUTCH HOUSING [MANUAL T/M TYPE]	100K0721	
	01C40103	CLUTCH HOUSING [GST TYPE]	100K0721	
	01C40104	CLUTCH HOUSING [HST TYPE]	100K0721	
	01C40301	HST (PISTON/PLUG) [COMPONENT PARTS] [HST TYPE]	100K0721	
	01C40302	HST (REGULATOR/PIPE) [COMPONENT PARTS] [HST TYPE]	100K0721	
	01C40303	HST (ROTARY) [COMPONENT PARTS] [HST TYPE]	100K0721	
	01C405	GST VALVE [GST TYPE]	100K0721	
	01C406	GST VALVE [COMPONENT PARTS] [GST TYPE]	100K0721	
	01C41001	MID CASE [MANUAL T/M TYPE]	100K0721	
	01C41003	MID CASE [GST TYPE]	100K0721	
	01C41005	MID CASE [HST TYPE]	100K0721	
	01C42002	TRANSMISSION CASE [MANUAL T/M TYPE]	100K0721	
	01C42003	TRANSMISSION CASE [GST TYPE]	100K0721	
	01C42004	TRANSMISSION CASE [HST TYPE]	100K0721	
	01D101	MAIN SHAFT [EXCEPT HST TYPE]	100K0721	
	01D103	INPUT SHAFT [HST TYPE]	100K0721	
	01D10501	COUNTERSHAFT [MANUAL T/M TYPE]	100K0721	
	01D10502	COUNTERSHAFT [GST TYPE]	100K0721	
	01D10504	COUNTERSHAFT [HST TYPE]	100K0721	
	01D11001	HYDRAULIC CLUTCH [GST TYPE]	100K0721	
	01D11501	SHUTTLE SHAFT [MANUAL T/M TYPE]	100K0721	
	01D11502	SHUTTLE SHAFT [GST TYPE]	100K0721	
	01D11601	REVERSE SHAFT [MANUAL T/M TYPE]	100K0721	
	01D11603	REVERSE SHAFT [GST TYPE]	100K0721	
	01D11701	RANGE GEAR SHAFT [MANUAL T/M TYPE]	100K0721	
	01D11702	RANGE GEAR SHAFT [GST TYPE]	100K0721	
	01D11703	RANGE GEAR SHAFT [HST TYPE]	100K0721	
	01D12501	SPIRAL BEVEL PINION [EXCEPT HST TYPE]	100K0721	
	01D12502	SPIRAL BEVEL PINION [HST TYPE]	100K0721	
	01D127	REAR DIFFERENTIAL	100K0721	
	01D13001	PTO COUNTERSHAFT [EXCEPT HST TYPE]	100K0721	
	01D13002	PTO COUNTERSHAFT [HST TYPE]	100K0721	
	01D13201	PTO CLUTCH [EXCEPT HST TYPE]	100K0721	
	01D13202	PTO CLUTCH [HST TYPE]	100K0721	
	01D133	PTO CLUTCH [COMPONENT PARTS]	100K0721	
	01D13501	PTO SHAFT	100K0721	
	01D20101	MAIN GEAR SHIFT FORK [MANUAL T/M TYPE]	100K0721	
	01D20102	MAIN GEAR SHIFT FORK [GST TYPE]	100K0721	
	01D20501	SHUTTLE SHIFT FORK [MANUAL T/M TYPE]	100K0721	
	01D20502	SHUTTLE SHIFT FORK [GST TYPE]	100K0721	
	01D21701	RANGE GEAR SHIFT FORK [MANUAL T/M TYPE]	100K0721	
	01D21702	RANGE GEAR SHIFT FORK [GST TYPE]	100K0721	
	01D21703	RANGE GEAR SHIFT FORK [HST TYPE]	100K0721	
	01D22501	DIFFERENTIAL LOCK SHIFT FORK [EXCEPT HST TYPE]	100K0721	
	01D22502	DIFFERENTIAL LOCK SHIFT FORK [HST TYPE] [ROPS TYPE]	100K0721	
	SPEED CHANGE LEVER/BRAKE	01E10101	MAIN GEAR SHIFT LEVER [MANUAL T/M TYPE]	100K0721
		01E10102	MAIN GEAR SHIFT LEVER [GST TYPE]	100K0721
		01E105	SHUTTLE SHIFT LEVER [EXCEPT HST TYPE]	100K0721
		01E106	CRUISE CONTROL LEVER [HST TYPE]	100K0721

Item	Part No.	Description	Book	
SPEED CHANGE LEVER/BRAKE	01E107	CRUISE CONTROL CABLE [HST TYPE]	100K0721	
	01E108	NEUTRAL HOLDER LINK [HST TYPE]	100K0721	
	01E109	SPEED CONTROL PEDAL [HST TYPE]	100K0721	
	01E11001	RANGE GEAR SHIFT LEVER[MANUAL T/M TYPE]	100K0721	
	01E11002	RANGE GEAR SHIFT LEVER [HST TYPE] [ROPS TYPE]	100K0721	
	01E12601	PTO CLUTCH CONTROL LEVER [EXCEPT HST TYPE]	100K0721	
	01E12602	PTO CLUTCH CONTROL LEVER [HST TYPE]	100K0721	
	01E12701	PTO CLUTCH VALVE [COMPONENT PARTS] [EXCEPT HST TYPE]	100K0721	
	01E12702	PTO CLUTCH VALVE [COMPONENT PARTS] [HST TYPE]	100K0721	
	01E140	FRONT WHEEL DRIVE LEVER	100K0721	
	01E15101	REAR AXLE LH	100K0721	
	01E15201	REAR AXLE RH	100K0721	
	01E16101	BRAKE LH [EXCEPT GST TYPE]	100K0721	
	01E16102	BRAKE LH [GST TYPE]	100K0721	
	01E16201	BRAKE RH	100K0721	
	01E16501	BRAKE ROD (BRAKE PEDAL) [ROPS TYPE]	100K0721	
	01E170	BRAKE ROD (BRAKE CAM)	100K0721	
	01E20101	BRAKE PEDAL [EXCEPT HST TYPE]	100K0721	
	01E20102	BRAKE PEDAL [HST TYPE] [ROPS TYPE]	100K0721	
	FRONT AXLE/CHASSIS	01F10502	FRONT AXLE FRAME	100K0721
		01F12001	PROPELLER SHAFT [EXCEPT HST TYPE]	100K0721
		01F12002	PROPELLER SHAFT [HST TYPE]	100K0721
		01F122	FRONT WHEEL DRIVE SHAFT	100K0721
		01F125	FRONT DIFFERENTIAL CASE	100K0721
		01F127	BEVEL GEAR (FRONT)	100K0721
		01F130	DIFFERENTIAL(FRONT)	100K0721
		01F141	FRONT AXLE CASE LH	100K0721
01F142		FRONT AXLE CASE RH	100K0721	
01F145		DIFFERENTIAL GEAR SHAFT	100K0721	
01F150		FRONT AXLE	100K0721	
STEERING		01G10101	STEERING HANDLE [EXCEPT HST TYPE]	100K0721
		01G10102	STEERING HANDLE [HST TYPE] [ROPS TYPE]	100K0721
		01G10301	TILT PEDAL [ROPS TYPE]	100K0721
		01G10501	UNIVERSAL JOINT [ROPS TYPE]	100K0721
	01G110	STEERING CONTROLLER	100K0721	
	01G18002	STEERING CYLINDER	100K0721	
	01G18502	STEERING CYLINDER [COMPONENT PARTS]	100K0721	
HYDRAULIC SYSTEM	01H120	HYDRAULIC PUMP	100K0721	
	01H125	HYDRAULIC PUMP [COMPONENT PARTS]	100K0721	
	01H145	REGULATOR VALVE [EXCEPT HST TYPE]	100K0721	
	01H20501	HYDRAULIC OIL LINE(INLET) [EXCEPT HST TYPE]	100K0721	
	01H20502	HYDRAULIC OIL LINE(INLET) [HST TYPE]	100K0721	
	01H210	HYDRAULIC OIL LINE (DELIVERY)	100K0721	
	01H21501	HYDRAULIC OIL LINE (PS) [EXCEPT HST TYPE]	100K0721	
	01H21502	HYDRAULIC OIL LINE (PS) [HST TYPE]	100K0721	
	01H23001	PTO HYDRAULIC OIL LINE [MANUAL T/M TYPE]	100K0721	
	01H23002	PTO HYDRAULIC OIL LINE [GST TYPE]	100K0721	
	01H23501	HYDRAULIC OUTLET BLOCK [EXCEPT HST TYPE]	100K0721	
	01H23502	HYDRAULIC OUTLET BLOCK [HST TYPE] [ROPS TYPE]	100K0721	
	01H240	HYDRAULIC PIPE(HST) [HST TYPE]	100K0721	
	01H24501	OIL COOLER [HST TYPE] [ROPS TYPE]	100K0721	

Item	Part No.	Description	Book	
HYDRAULIC SYSTEM	01H305	TRANSMISSION CASE COVER	100K0721	
	01H320	LIFT ARM	100K0721	
	01H330	FEED BACK LEVER	100K0721	
	01H40501	CONTROL VALVE (W/O REMOTE CONTROL VALVE) [OLD TYPE]	100K0721	
	01H40502	CONTROL VALVE (W/O REMOTE CONTROL VALVE) [NEW TYPE]	100K0721	
	01H41001	CONTROL VALVE [COMPONENT PARTS] [OLD TYPE]	100K0721	
	01H41002	CONTROL VALVE [COMPONENT PARTS] [NEW TYPE]	100K0721	
	01H432	CHECK VALVE/SAFETY VALVE	100K0721	
	01H43501	3P CYLINDER RH	100K0721	
	01H43601	3P CYLINDER LH	100K0721	
	01H437	3P CYLINDER [COMPONENT PARTS]	100K0721	
	01H44001	POSITION CONTROL LEVER [ROPS TYPE]	100K0721	
	01J105	TOP LINK	100K0721	
	01J11001	3-POINT LINKAGE (LOWER LINK)	100K0721	
	01J113	STABILIZER	100K0721	
	01J115	3-POINT LINKAGE (LIFT ROD)	100K0721	
	HITCH/DRAWBAR	01K105	DRAWBAR	100K0721
		01K125	PTO PROTECTOR	100K0721
	HOOD(BONNET)/ROPS/CAB	01L101	FRONT GRILLE	100K0721
		01L102	HOOD(BONNET) FRONT SUPPORT	100K0721
		01L10501	HOOD(BONNET) [ROPS TYPE]	100K0721
		01L10701	HOOD(BONNET) LINK [ROPS TYPE]	100K0721
		01L115	SIDE COVER LOWER	100K0721
		01L13001	SHUTTER PLATE [ROPS TYPE]	100K0721
		01L20101	PANEL FRAME [EXCEPT HST TYPE]	100K0721
		01L20102	PANEL FRAME [HST TYPE] [ROPS TYPE]	100K0721
		01L203	PANEL COVER [ROPS TYPE]	100K0721
		01L210	FENDER [ROPS TYPE]	100K0721
		01L21501	FLOOR SEAT [EXCEPT HST TYPE]	100K0721
		01L21502	FLOOR SEAT [HST TYPE] [ROPS TYPE]	100K0721
		01L21901	SEAT [ROPS TYPE]	100K0721
		01L22001	SEAT [COMPONENT PARTS] [ROPS TYPE]	100K0721
		01L221	SEAT SUSPENSION [COMPONENT PARTS]	100K0721
01L22501		STEP [EXCEPT HST TYPE]	100K0721	
01L22502		STEP [HST TYPE] [ROPS TYPE]	100K0721	
01L30101		ROPS (RIGID TYPE) [ROPS TYPE]	100K0721	
01L30102		ROPS (FOLDABLE TYPE) [ROPS TYPE]	100K0721	
01L50101		SMV EMBLEM [ROPS TYPE]	100K0721	
FRONT WHEEL/REAR WHEEL		01P10104	FRONT WHEEL (27*10.50-15)	100K0721
		01P10106	FRONT WHEEL (7.2-16 R1) [OLD TYPE]	100K0721
		01P10107	FRONT WHEEL (7-16 R1) [NEW TYPE]	100K0721
		01P10108	FRONT WHEEL (7.2-16 R1)	100K0721
		01P10109	FRONT WHEEL (10-16.5)	100K0721
		01P10110	FRONT WHEEL (27*8.50-15)	100K0721
		01P10111	FRONT WHEEL (29*12.5-15) [OLD TYPE]	100K0721
	01P10112	FRONT WHEEL (29*12.5-15) [NEW TYPE]	100K0721	
	01P11001	REAR WHEEL (12.4-24 R1)	100K0721	
	01P11002	REAR WHEEL (44*18-20)	100K0721	
	01P11003	REAR WHEEL (41/18LL*16.1)	100K0721	
	01P11004	REAR WHEEL (420/70-24)	100K0721	
01P11005	REAR WHEEL (355/80-D20)	100K0721		
LABELS	01R10501	LABEL (FRONT) [MANUAL T/M TYPE] [A]	100K0721	
	01R10502	LABEL (FRONT) [MANUAL T/M TYPE] [CA]	100K0721	
	01R10503	LABEL (FRONT) [GST TYPE] [A]	100K0721	
	01R10504	LABEL (FRONT) [GST TYPE] [CA]	100K0721	

Item	Part No.	Description	Book
LABELS	01R10505	LABEL (FRONT) [HST TYPE] [ROPS TYPE] [A]	100K0721
	01R10506	LABEL (FRONT) [HST TYPE] [ROPS TYPE] [CA]	100K0721
	01R11003	LABEL (REAR) [MANUAL T/M TYPE] [A]	100K0721
	01R11004	LABEL (REAR) [MANUAL T/M TYPE] [CA]	100K0721
	01R11005	LABEL (REAR) [GST TYPE] [A]	100K0721
	01R11006	LABEL (REAR) [GST TYPE] [CA]	100K0721
	01R11007	LABEL (REAR) [HST TYPE] [ROPS TYPE] [A]	100K0721
	01R11008	LABEL (REAR) [HST TYPE] [ROPS TYPE] [CA]	100K0721
ACCESSORIES OPTION	01S105	ACCESSORIES AND SERVICE PARTS	100K0721
	01T10501	WORKING LIGHT KIT [ROPS TYPE] [OPTION]	100K0721
	01T11501	CREEP SPEED KIT (GEAR SHAFT) [EXCEPT HST TYPE] [OPTION]	100K0721
	01T11502	CREEP SPEED KIT (SHIFT FORK) [EXCEPT HST TYPE] [OPTION]	100K0721
	01T11503	CREEP SPEED KIT (SHIFT LEVER) [MANUAL T/M TYPE] [OPTION]	100K0721
	01T11504	CREEP SPEED KIT (SHIFT LEVER) [GST TYPE] [OPTION]	100K0721
	01T11701	MID PTO (CASE) [OPTION]	100K0721
	01T11702	MID PTO (SHIFT FORK) [OPTION]	100K0721
	01T11703	MID PTO (LEVER) [OPTION]	100K0721
	01T12601	HYDRAULIC PIPE KIT (HST) [OPTION]	100K0721
	01T130	POSITION CONTROL LEVER (WITH DRAFT) [OPTION]	100K0721
	01T133	POSITION CONTROL LINK (WITH DRAFT) [OPTION]	100K0721
	01T135	DRAFT CONTROL LEVER (WITH DRAFT) [OPTION]	100K0721
	01T140	TOP LINK HOLDER (WITH DRAFT) [OPTION]	100K0721
	01T144	SWINGING DRAWBAR [OPTION]	100K0721
	01T14901	AUXILIARY CONTROL VALVE [OPTION]	100K0721
	01T14902	AUXILIARY CONTROL VALVE (FLOATING) [OPTION]	100K0721
	01T15001	AUXILIARY CONTROL VALVE LEVER (1ST) [ROPS TYPE] [OPTION]	100K0721
	01T15003	AUXILIARY CONTROL VALVE LEVER (2ND) [EXCEPT CAB [CA] TYPE] [OPTION]	100K0721
	01T15004	AUXILIARY CONTROL VALVE LEVER (3RD) [OPTION]	100K0721
	01T15501	AUXILIARY CONTROL VALVE COUPLER (1ST) [EXCEPT CAB [CA] TYPE] [OPTION]	100K0721
	01T15502	AUXILIARY CONTROL VALVE COUPLER (2ND) [EXCEPT CAB [CA] TYPE] [OPTION]	100K0721
	01T15503	AUXILIARY CONTROL VALVE COUPLER (3RD) [OPTION]	100K0721

# CRANKCASE



1G726-001-10



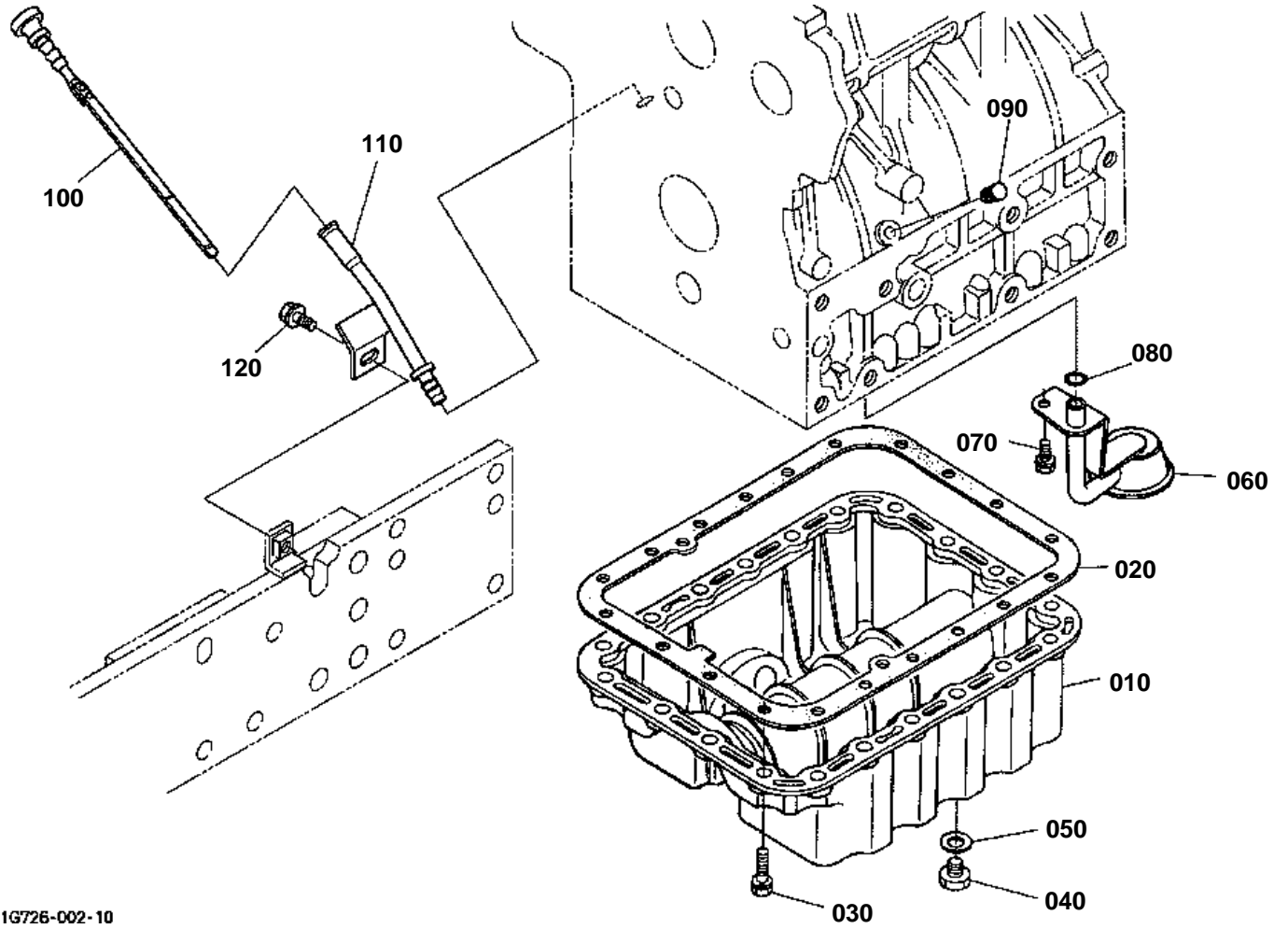


# CRANKCASE

↔ Interchangeable; ≠ not interchangeable; ← new for old; → old for new

REF.No	Part No.	Description	Q'ty	S.No.	I/C	REMARKS	Weight (kgf)	Weight (lb)
010	1G726-01010	COMP.CRANKCASE	1	<=3Q1566			48.5	106.7
010	1G726-01012	COMP.CRANKCASE	1	>=3S0001	≠		48.5	106.7
020	15521-96020	PLUG	5				0.003	0.0066
030	15521-96030	PLUG	2				0.007	0.0154
040	17391-96160	PLUG EXPANSION	3				0.003	0.0066
050	06311-75045	PLUG EXPANSION	1	<=3G0964			0.026	0.0572
050	16271-96160	PLUG EXPANSION	1	>=3J0001	←		0.025	0.055
060	15221-03380	CAP SEALING	5				0.017	0.0374
070	15221-03390	CAP SEALING	2				0.03	0.066
080	05012-00408	PIN STRAIGHT	2				0.001	0.0022
090	05012-00609	PIN STRAIGHT	3				0.003	0.0066
100	05012-00612	PIN STRAIGHT	2				0.003	0.0066
110	05012-01018	PIN STRAIGHT	1				0.012	0.0264
120	15221-33650	PIN PIPE	1				0.004	0.0088
130	15321-73340	PIPE WATER RETURN	1				0.016	0.0352
140	15221-33610	PLUG	1				0.009	0.0198
140	15469-33610	PLUG	1		↔		0.008	0.0176
150	15021-33660	GASKET	1				0.001	0.0022
160	16427-33140	PLUG OIL FILLER	1				0.025	0.055
170	1A021-33110	FLANGE OIL FILLER	1				0.07	0.154
180	1A021-51660	GASKET PUMP COVER	1				0.003	0.0066
190	01023-50618	BOLT	1				0.006	0.0132
200	15471-35012	ASSY PUMP OIL	1				0.55	1.21
210	1A021-35150	GASKET OIL PUMP	1				0.001	0.0022
220	01023-60650	BOLT	4				0.015	0.033
230	19202-35660	GEAR OIL PUMP DRIVE	1				0.23	0.506
240	05712-00410	KEY FEATHER	1				0.001	0.0022
250	15221-35682	NUT FLANGE	1				0.014	0.0308
260	1A021-57483	BRACKET ACCEL.CABLE	1				0.125	0.275
270	01023-50622	BOLT	3				0.005	0.011

# OIL PAN



1G726-002-10

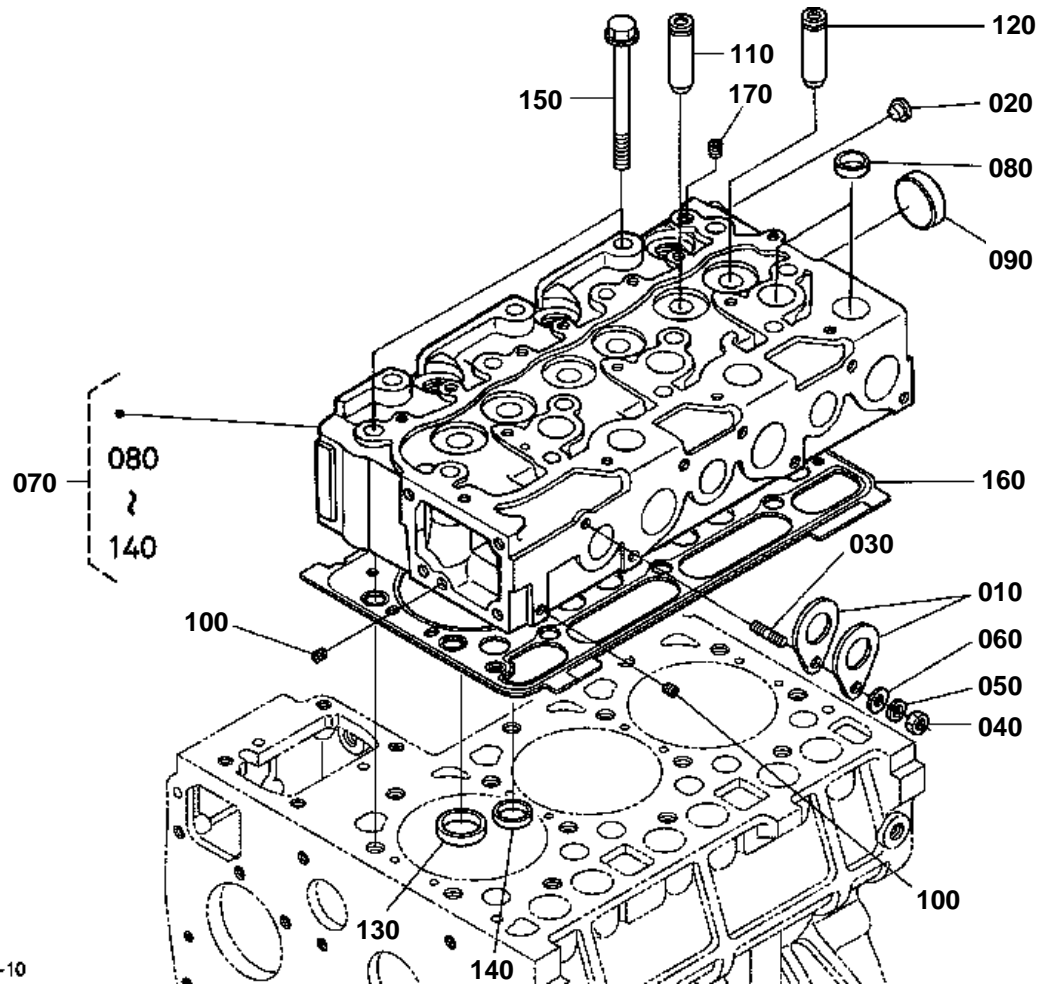


# OIL PAN

↔ Interchangeable; ≠ not interchangeable; ← new for old; → old for new

REF.No	Part No.	Description	Q'ty	S.No.	I/C	REMARKS	Weight (kgf)	Weight (lb)
010	15521-01610	OIL PAN	1				2.8	6.16
020	1A021-01620	GASKET OIL PAN	1				0.014	0.0308
030	01133-51028	BOLT	20				0.027	0.0594
040	16427-33750	PLUG DRAIN	2				0.03	0.066
050	6C090-58960	GASKET	2				0.002	0.0044
060	16427-32110	FILTER OIL	1				0.2	0.44
070	01123-60814	BOLT	1				0.01	0.022
080	04817-00160	O RING	1				0.001	0.0022
090	16414-33640	PLUG OIL GAUGE	1				0.003	0.0066
100	T1060-16602	GAUGE OIL	1				0.015	0.033
110	TD060-16612	GUIDE OIL GAUGE	1				0.075	0.165
120	01754-50816	BOLT FLANGE	1				0.011	0.0242

# CYLINDER HEAD



1G726-003-10

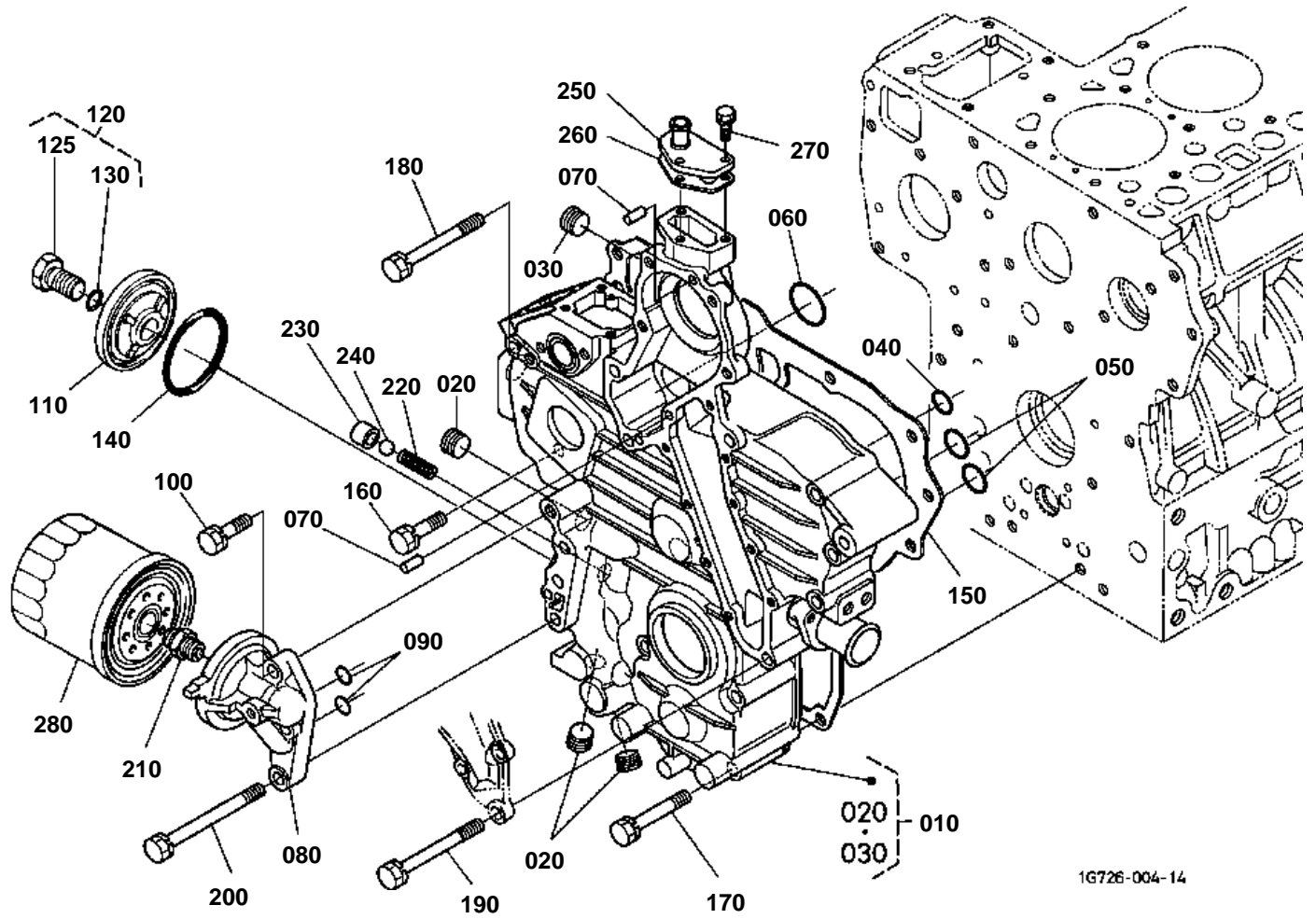


# CYLINDER HEAD

↔ Interchangeable; ≠ not interchangeable; ← new for old; → old for new

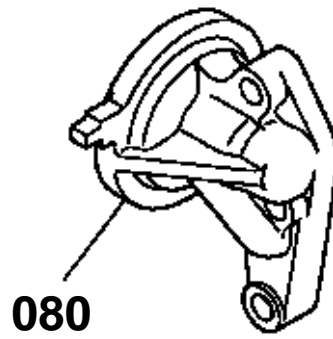
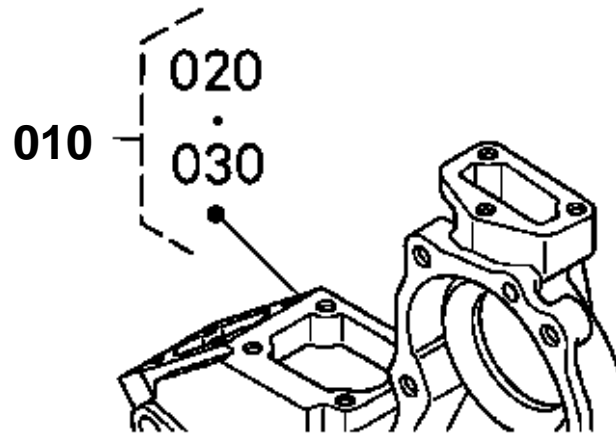
REF.No	Part No.	Description	Q'ty	S.No.	I/C	REMARKS	Weight (kgf)	Weight (lb)
010	15221-01750	HOOK ENGINE	2				0.04	0.088
020	09980-10075	CAP PROTECTOR	1				0.001	0.0022
030	15471-91530	STUD	1				0.01	0.022
040	02156-50080	NUT	1				0.004	0.0088
050	04512-60080	WASHER SPRING	1				0.002	0.0044
060	04012-50080	WASHER PLAIN	1				0.001	0.0022
070	1A013-03043	COMP.CYLINDER HEAD	1	<=4L1569			15	33
070	1A013-03044	COMP.CYLINDER HEAD	1	>=4N0001	←		15	33
080	15221-03370	CAP SEALING	9				0.01	0.022
090	15221-03490	CAP SEALING	1				0.02	0.044
100	15261-96010	PLUG	2				0.002	0.0044
110	17321-13580	GUIDE INLET VALVE	3				0.015	0.033
120	17321-13560	GUIDE EXHAUST VALVE	3				0.02	0.044
130	16415-13620	SEAT INLET VALVE	3				0.01	0.022
140	16415-13612	SEAT EXHAUST VALVE	3				0.01	0.022
150	19013-03450	BOLT CYLINDER HEAD	14				0.077	0.1694
160	1G720-03310	GASKET CYL.HEAD	1				0.22	0.484
170	15841-96020	PLUG	1				0.028	0.0616

GEAR CASE [ROPS TYPE]



1G726-004-14

# OLD PARTS



1G726-804-10



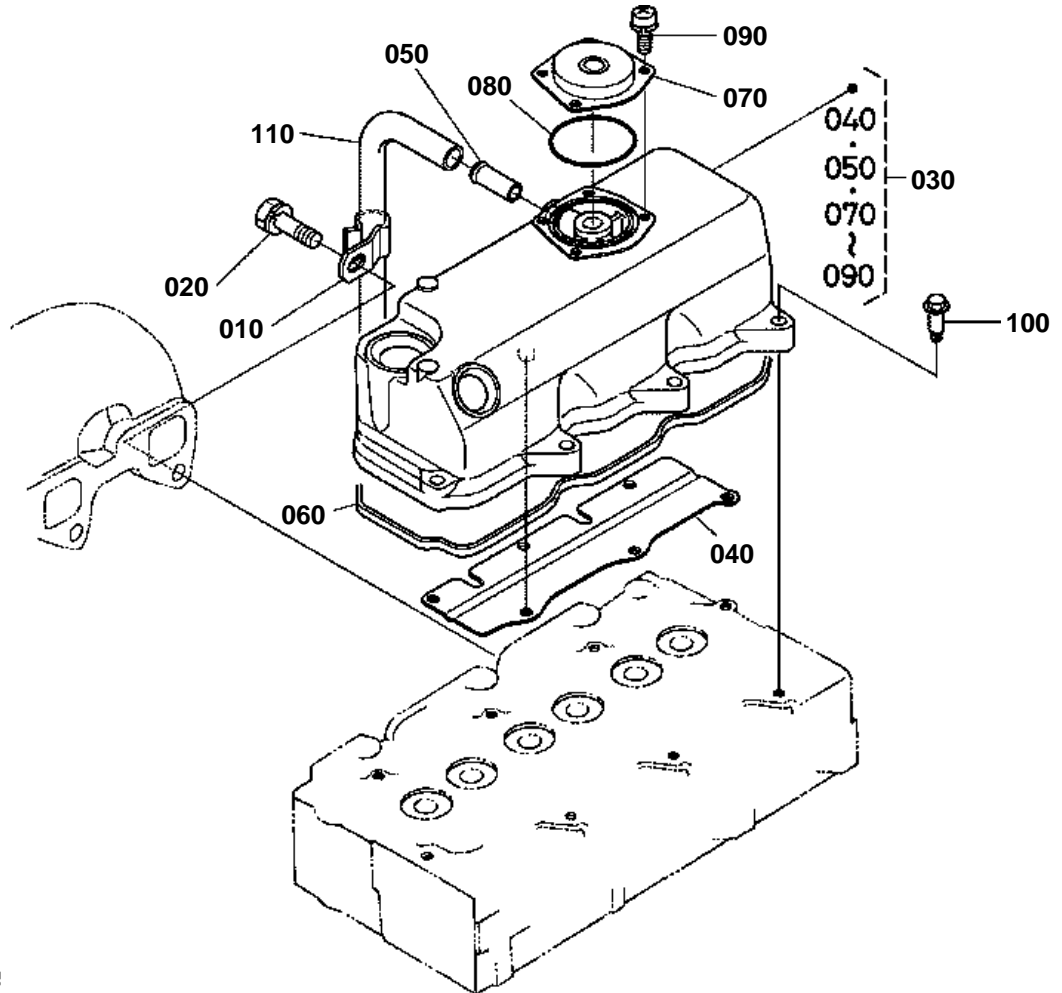
## GEAR CASE [ROPS TYPE]

↔ Interchangeable; ≠ not interchangeable; ← new for old; → old for new

REF.No	Part No.	Description	Q'ty	S.No.	I/C	REMARKS	Weight (kgf)	Weight (lb)
010	1A021-04020	COMP.CASE GEAR	1	<=4N1155			3.95	8.69
010	1A021-04024	COMP.CASE GEAR	1	>=4Q0001	←		3.95	8.69
020	16241-96020	PLUG	3				0.015	0.033
030	1A021-96020	PLUG	1				0.015	0.033
040	04817-00150	O RING	1				0.001	0.0022
050	04817-00220	O RING	2				0.001	0.0022
060	04817-00360	O RING	1				0.001	0.0022
070	05012-00612	PIN STRAIGHT	2				0.003	0.0066
080	1A021-32610	BASE OIL FILTER	1	<=4T9999			0.25	0.55
080	1G801-32610	BASE OIL FILTER	1	>=4U0001	≠		0	0
090	04817-00150	O RING	2				0.001	0.0022
100	01123-50835	BOLT	1				0.02	0.044
110	17331-32880	COVER	1				0.075	0.165
120	17331-32910	COMP BOLT	1				0.07	0.154
125	17331-32900	BOLT	1				0.06	0.132
130	04817-00150	O RING	1				0.001	0.0022
140	19202-96830	O RING	1				0.01	0.022
150	1A021-04130	GASKET GEAR CASE	1				0.019	0.0418
160	01123-50835	BOLT	1				0.02	0.044
170	01123-50870	BOLT	7				0.029	0.0638
180	17367-91010	BOLT	2				0.005	0.011
190	17367-91020	BOLT	3				0.035	0.077
200	1A021-91010	BOLT	2				0.045	0.099
210	15521-32293	JOINT PIPE	1				0.05	0.11
210	1A021-32290	JOINT PIPE	1		↔		0.05	0.11
220	15241-36950	SPRING	1				0.004	0.0088
230	15521-36930	SEAT VALVE	1				0.015	0.033
240	07715-03213	BALL	1				0.004	0.0088
250	15521-73320	FLANGE WATER RETURN	1				0.04	0.088
260	1A021-73330	GASKET RETURN FLANGE	1				0.001	0.0022
270	01023-50620	BOLT	3				0.006	0.0132
280	16414-32430	CARTRIDGE OIL FILTER	1				0.54	1.188



HEAD COVER [OLD TYPE]



1A021-005-12

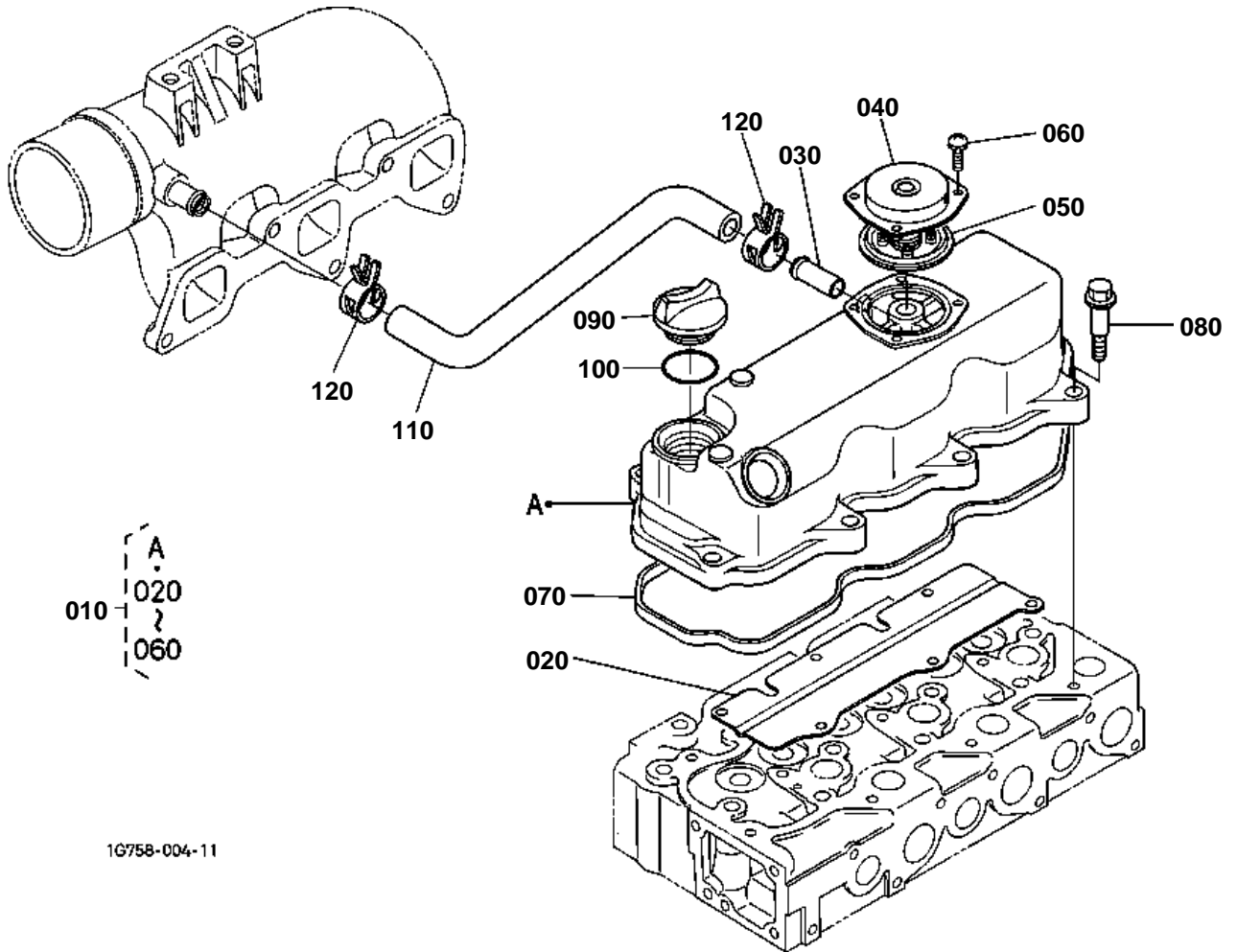


**HEAD COVER [OLD TYPE]**  
S.No.;<=3W1642

↔ Interchangeable; ≠ not interchangeable; ← new for old; → old for new

REF.No	Part No.	Description	Q'ty	S.No.	I/C	REMARKS	Weight (kgf)	Weight (lb)
010	1A091-05580	CLAMP BREATHER TUBE	1				0.006	0.0132
020	01123-50822	BOLT	1				0.012	0.0264
030	1A021-14503	ASSY COVER CYL.HEAD	1				1.24	2.728
040	1A021-05370	SHIELD BREATHER	1				0.1	0.22
050	17331-73342	PIPE WATER RETURN	1				0.01	0.022
060	1A021-14520	GASKET HEAD COVER	1				0.02	0.044
070	1A021-05120	COVER BREATHER	1				0.039	0.0858
080	1A021-05430	O RING BREATHER	1				0.001	0.0022
090	03024-50510	SCREW WITH WASHER	4				0.002	0.0044
100	1G911-91022	BOLT	8				0.015	0.033
110	15837-05510	PIPE BREATHER	1				0.06	0.132

HEAD COVER [NEW TYPE]



1G758-004-11

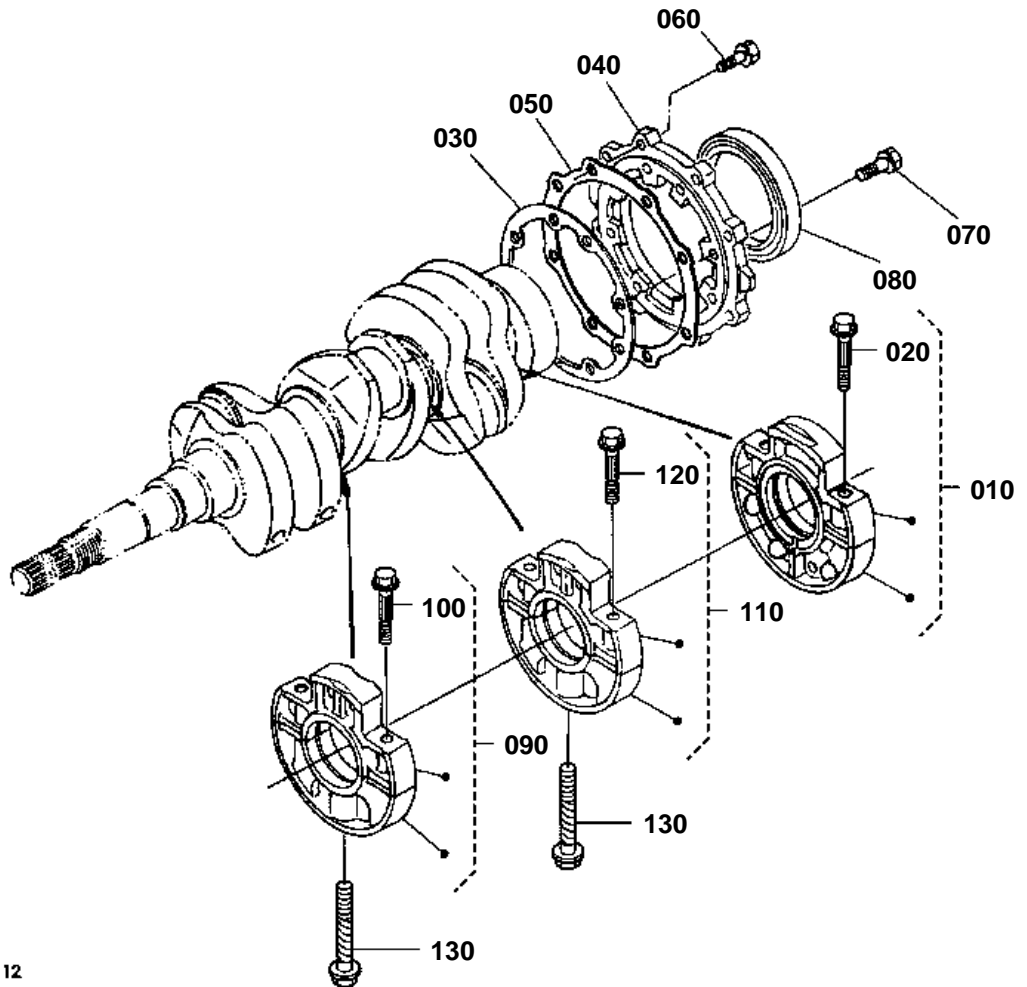


**HEAD COVER [NEW TYPE]**  
S.No.;>=3Y0001

↔ Interchangeable; ≠ not interchangeable; ← new for old; → old for new

REF.No	Part No.	Description	Q'ty	S.No.	I/C	REMARKS	Weight (kgf)	Weight (lb)
010	1G750-14503	ASSY COVER CYL.HEAD	1	<=4J1664			0	0
010	1G750-14504	ASSY COVER CYL.HEAD	1	>=4L0001	←		1.23	2.706
020	1A021-05370	SHIELD BREATHER	1				0.1	0.22
030	17331-73342	PIPE WATER RETURN	1				0.01	0.022
040	1G911-05120	COVER BREATHER	1				0.045	0.099
040	1G801-05120	COVER BREATHER	1		↔		0	0
050	1G911-05200	COMP.VALVE BREATHER	1	<=4J1664			0	0
050	1G911-05202	COMP.VALVE BREATHER	1	>=4L0001	←		0.01	0.022
060	03024-50510	SCREW WITH WASHER	4				0.002	0.0044
070	1A021-14520	GASKET HEAD COVER	1				0.02	0.044
080	1G911-91022	BOLT	8				0.015	0.033
090	15852-33140	PLUG OIL FILLER	1				0.038	0.0836
100	04817-50300	O RING	1				0.001	0.0022
110	1G780-05510	TUBE BREATHER	1				0.06	0.132
120	09318-88180	CLAMP HOSE	2				0.01	0.022

MAIN BEARING CASE [OLD TYPE]



1A021-006-12

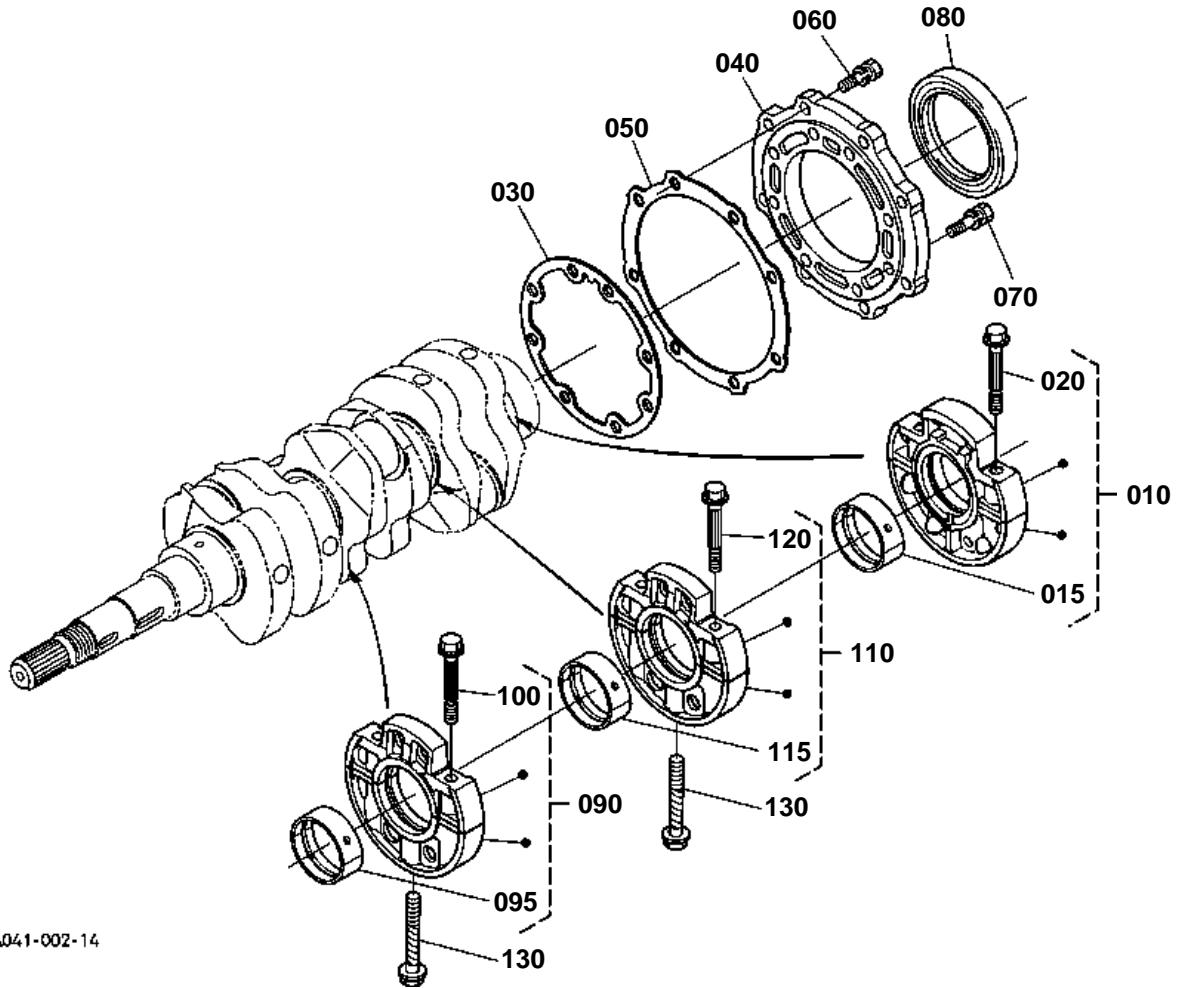


**MAIN BEARING CASE [OLD TYPE]**  
S.No.;<=3Q1566

↔ Interchangeable; ≠ not interchangeable; ← new for old; → old for new

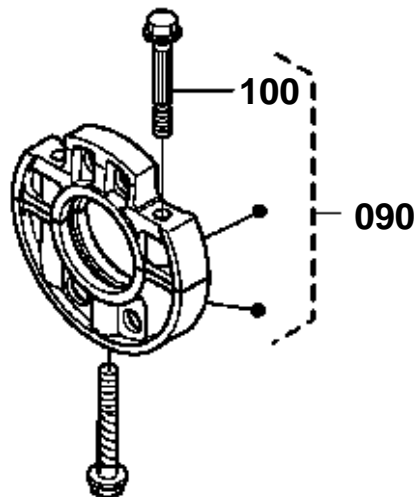
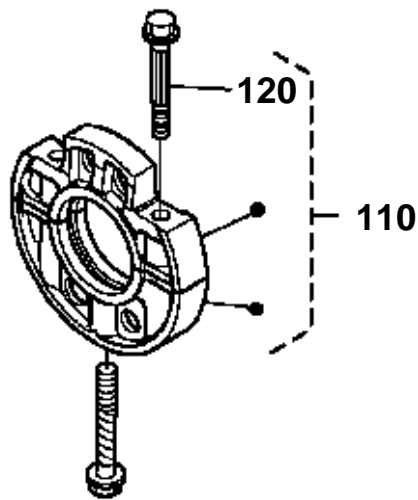
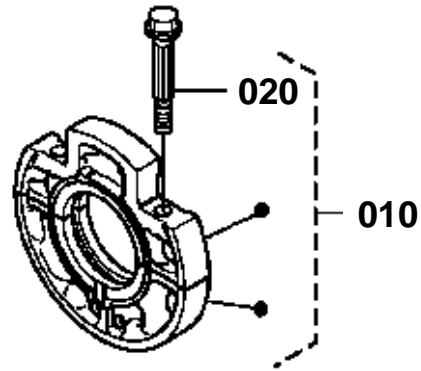
REF.No	Part No.	Description	Q'ty	S.No.	I/C	REMARKS	Weight (kgf)	Weight (lb)
010	19013-07090	ASSY BRG.CASE WHEEL	1				1.55	3.41
020	19013-04540	BOLT BEARING CASE	2				0.038	0.0836
030	19077-04360	GASKET BEARING CASE	1				0.004	0.0088
040	19013-04813	COVER BEARING CASE	1				0	0
050	1A091-04820	GASKET CASE COVER	1				0.006	0.0132
060	01123-50825	BOLT	8				0.013	0.0286
070	01123-50828	BOLT	8				0.014	0.0308
080	19202-04460	SEAL OIL	1				0.055	0.121
090	19013-07040	ASSY BRG.CASE MAIN	1				1.5	3.3
100	19013-04540	BOLT BEARING CASE	2				0.038	0.0836
110	19013-07050	ASSY BRG.CASE MAIN	1				1.495	3.289
120	19013-04540	BOLT BEARING CASE	2				0.038	0.0836
130	15601-04560	BOLT BEARING CASE	2				0.06	0.132

MAIN BEARING CASE [NEW TYPE]



1A041-002-14

# OLD PARTS



1G726-809-10



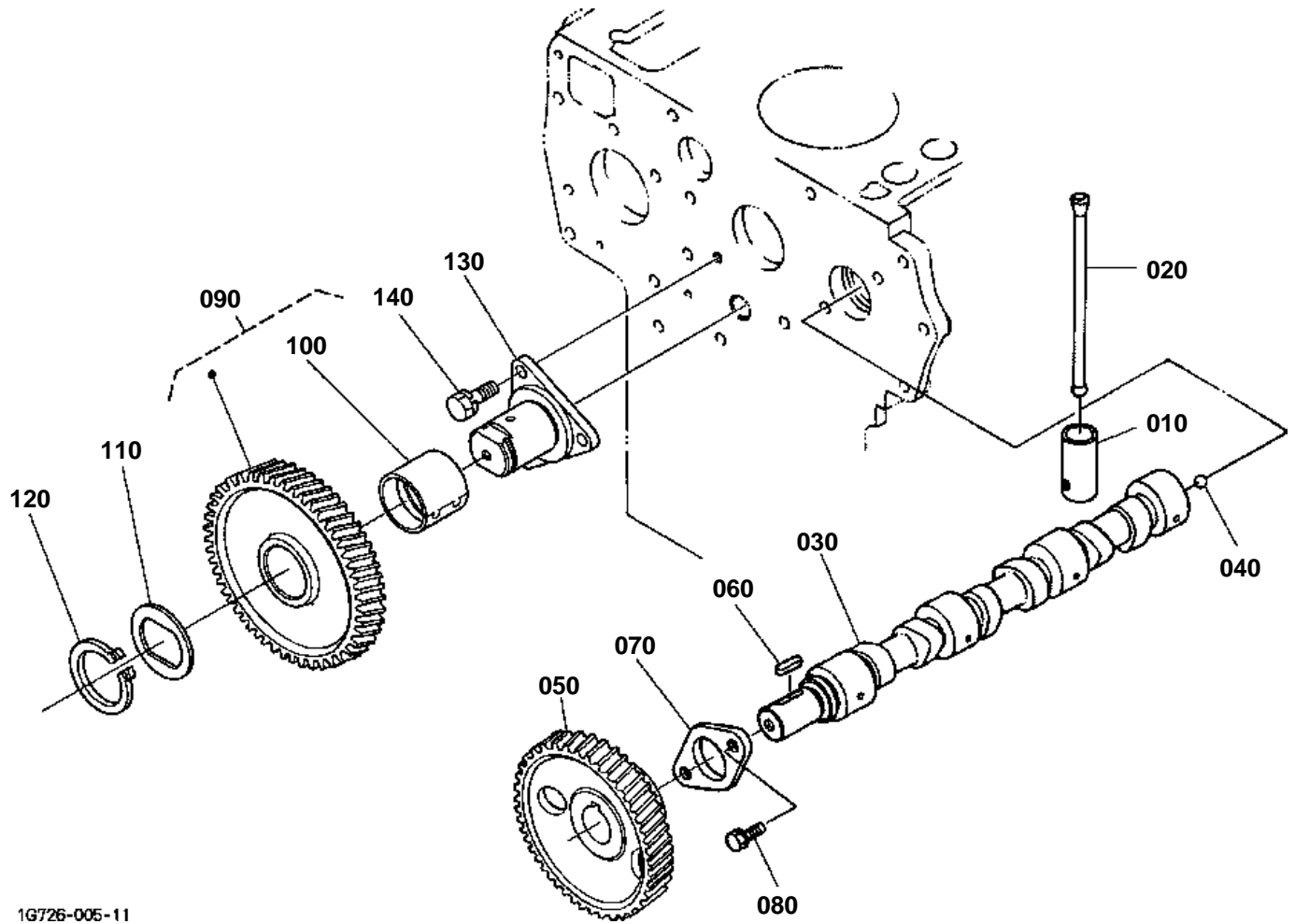


**MAIN BEARING CASE [NEW TYPE]**  
S.No.;>=3S0001

↔ Interchangeable; ≠ not interchangeable; ← new for old; → old for new

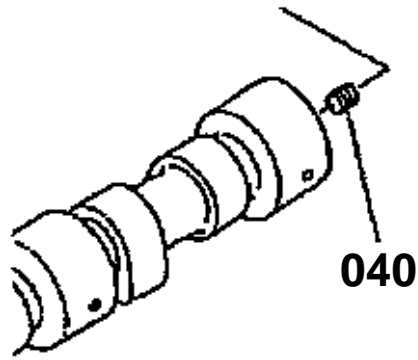
REF.No	Part No.	Description	Q'ty	S.No.	I/C	REMARKS	Weight (kgf)	Weight (lb)
010	1A041-07092	ASSY BRG.CASE WHEEL	1	<=3S1926			0	0
010	1A041-07093	ASSY BRG.CASE WHEEL	1	>=3U0001	←		1.34	2.948
015	1A091-23480	METAL CRANKSHAFT	1	>=3U0001		STD SET	0.05	0.11
020	1A091-04540	BOLT BEARING CASE	2				0.035	0.077
030	1A091-04362	GASKET BEARING CASE	1				0.005	0.011
040	1G851-04810	COVER BEARING CASE	1				0.495	1.089
050	1A091-04820	GASKET CASE COVER	1				0.006	0.0132
060	01123-50825	BOLT	8				0.013	0.0286
070	01123-50828	BOLT	8				0.014	0.0308
080	19202-04460	SEAL OIL	1				0.055	0.121
090	1A091-07042	ASSY BRG.CASE MAIN	1	<=3S1926			0	0
090	1A091-07043	ASSY BRG.CASE MAIN	1	>=3U0001	←		1.34	2.948
095	1A091-23480	METAL CRANKSHAFT	1	>=3U0001		STD SET	0.05	0.11
100	1A091-04540	BOLT BEARING CASE	2				0.035	0.077
110	1A091-07052	ASSY BRG.CASE MAIN	1	<=3S1926			0	0
110	1A091-07053	ASSY BRG.CASE MAIN	1	>=3U0001	←		1.34	2.948
115	1A091-23480	METAL CRANKSHAFT	1	>=3U0001		STD SET	0.05	0.11
120	1A091-04540	BOLT BEARING CASE	2				0.035	0.077
130	15601-04560	BOLT BEARING CASE	2				0.06	0.132

CAMSHAFT AND IDLE GEAR SHAFT



1G726-005-11

# OLD PARTS



1A092-802-10

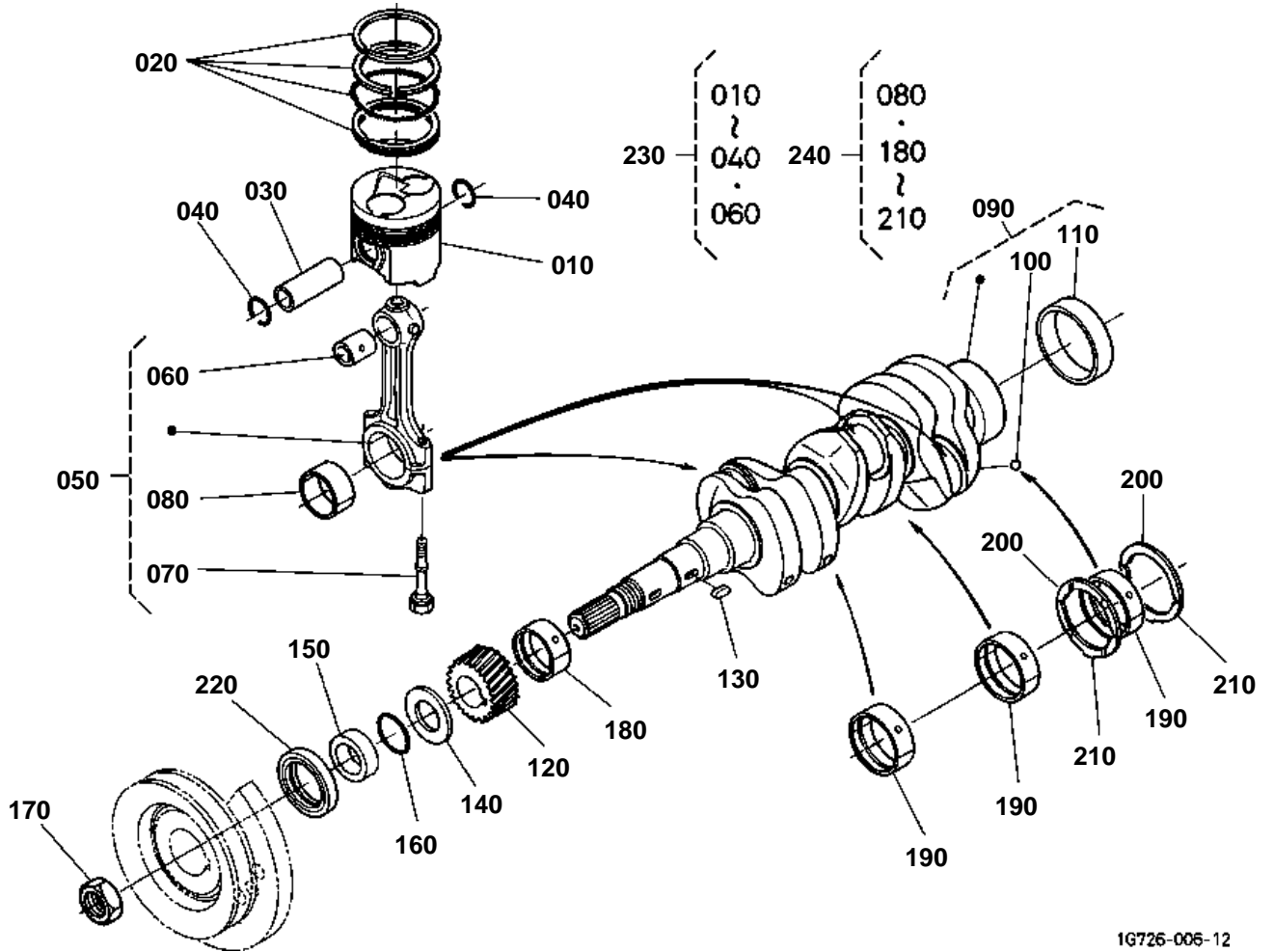


# CAMSHAFT AND IDLE GEAR SHAFT

↔ Interchangeable; ≠ not interchangeable; ← new for old; → old for new

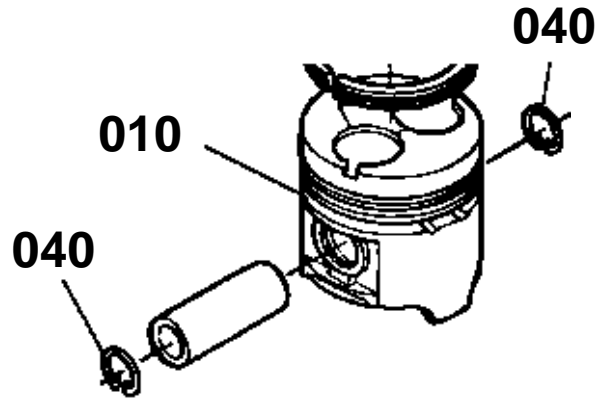
REF.No	Part No.	Description	Q'ty	S.No.	I/C	REMARKS	Weight (kgf)	Weight (lb)
010	15601-15550	TAPPET	6				0.08	0.176
020	19013-15110	PUSH ROD	6				0.05	0.11
030	17331-16155	CAMSHAFT	1	>=3L0001	≠		1.795	3.949
040	15521-93610	SCREW SET	1	<=3J1457			0.002	0.0044
040	07715-00401	BALL	1	>=3L0001	≠		0.001	0.0022
050	1A091-16510	GEAR CAM	1	<=3E1221			0.8	1.76
050	1A091-16513	GEAR CAM	1	>=3G0001	←		0.8	1.76
060	05712-00720	KEY FEATHER	1				0.008	0.0176
070	15221-16270	STOPPER CAMSHAFT	1				0.073	0.1606
080	01123-50818	BOLT	2				0.012	0.0264
090	1A091-24010	COMP.GEAR IDLE	1				1.21	2.662
100	1A021-24980	BUSH IDLE GEAR	1				0.072	0.1584
110	1A021-24370	COLLAR	1				0.022	0.0484
120	15451-95400	CIR CLIP EXTERNAL	1				0.01	0.022
130	1A021-24250	SHAFT IDLE GEAR	1				0.685	1.507
140	01123-50818	BOLT	3				0.012	0.0264

PISTON AND CRANKSHAFT



1G726-006-12

# OLD PARTS



1G726-805-10



## PISTON AND CRANKSHAFT

↔ Interchangeable; ≠ not interchangeable; ← new for old; → old for new

REF.No	Part No.	Description	Q'ty	S.No.	I/C	REMARKS	Weight (kgf)	Weight (lb)
010	1A021-21110	PISTON	3	≤4N1155		STD	0.5	1.1
010	1A021-21112	PISTON	3	≥4Q0001	≠	STD	0.5	1.1
010	1A021-21900	PISTON	3	≤4N1155		+0.25mm	0.5	1.1
010	1A021-21902	PISTON	3	≥4Q0001	≠	+0.25mm	0.5	1.1
020	1A021-21050	ASSY PISTON RING	3			STD	0.05	0.11
020	1A021-21092	ASSY PISTON RING	3			+0.25mm	0.05	0.11
030	14901-21310	PIN PISTON	3				0.17	0.374
040	14109-21330	CIR CLIP INTERNAL	6	≤4N1155			0.001	0.0022
040	1G279-21330	CIR CLIP INTERNAL	6	≥4Q0001	≠		0	0
050	17311-22010	ASSY CONNECTING ROD	3				0.885	1.947
060	17331-21980	BUSH PISTON PIN	3				0.025	0.055
070	15521-22142	BOLT CONNECTING ROD	6				0.026	0.0572
080	17311-22310	METAL CRANKPIN	3			STD SET	0.045	0.099
080	17311-22970	METAL CRANKPIN	3			-0.20mm SET	0.05	0.11
080	17311-22980	METAL CRANKPIN	3			-0.40mm SET	0.045	0.099
090	1A051-23010	COMP.CRANKSHAFT	1	≤3Q1566			14.1	31.02
090	1A051-23012	COMP.CRANKSHAFT	1	≥3S0001	≠		14.1	31.02
100	07715-00401	BALL	3				0.001	0.0022
110	19202-23280	BUSH CRANKSHAFT	1				0.09	0.198
120	1A021-24110	GEAR CRANKSHAFT	1	≤3Q1566			0.445	0.979
120	1A081-24110	GEAR CRANKSHAFT	1	≥3S0001	≠		0.415	0.913
130	05712-00730	KEY FEATHER	1	≤3Q1566			0.011	0.0242
130	05712-00728	KEY FEATHER	1	≥3S0001	≠		0.01	0.022
140	15471-23312	SLINGER OIL	1				0.008	0.0176
150	19202-23250	COLLAR CRANKSHAFT	1				0.065	0.143
160	04811-10300	O RING	1				0.001	0.0022
170	15221-23360	NUT CRANKSHAFT	1				0.11	0.242
180	17311-23472	METAL CRANKSHAFT	1	≤3Q1566		STD	0.06	0.132
180	1A091-23470	METAL CRANKSHAFT	1	≥3S0001	≠	STD	0.062	0.1364
180	17311-23910	METAL CRANKSHAFT	1	≤3Q1566		-0.20mm	0.05	0.11
180	1A091-23910	METAL CRANKSHAFT	1	≥3S0001	≠	-0.20mm	0.065	0.143
180	17311-23920	METAL CRANKSHAFT	1	≤3Q1566		-0.40mm	0.06	0.132
180	1A091-23920	METAL CRANKSHAFT	1	≥3S0001	≠	-0.40mm	0.065	0.143
190	17311-23480	METAL CRANKSHAFT	3	≤3Q1566		STD SET	0.045	0.099
190	1A091-23480	METAL CRANKSHAFT	3	≥3S0001	≠	STD SET	0.05	0.11
190	17311-23930	METAL CRANKSHAFT	3	≤3Q1566		-0.20mm SET	0.05	0.11
190	1A091-23930	METAL CRANKSHAFT	3	≥3S0001	≠	-0.20mm SET	0.06	0.132
190	17311-23940	METAL CRANKSHAFT	3	≤3Q1566		-0.40mm SET	0.06	0.132
190	1A091-23940	METAL CRANKSHAFT	3	≥3S0001	≠	-0.40mm SET	0.065	0.143
200	15521-23530	METAL SIDE	2	≤3Q1566		STD	0.01	0.022
200	1A091-23530	METAL SIDE	2	≥3S0001	≠	STD	0.009	0.0198
200	15521-23950	METAL SIDE	2	≤3Q1566		+0.20mm	0.01	0.022
200	1A091-23950	METAL SIDE	2	≥3S0001	≠	+0.20mm	0.005	0.011
200	15521-23960	METAL SIDE	2	≤3Q1566		+0.40mm	0.01	0.022
200	1A091-23960	METAL SIDE	2	≥3S0001	≠	+0.40mm	0.005	0.011
210	19202-23540	METAL SIDE	2	≤3Q1566		STD	0.01	0.022
210	1A091-23540	METAL SIDE	2	≥3S0001	≠	STD	0.009	0.0198
210	19202-23970	METAL SIDE	2	≤3Q1566		+0.20mm	0.01	0.022
210	1A091-23970	METAL SIDE	2	≥3S0001	≠	+0.20mm	0.005	0.011
210	19202-23980	METAL SIDE	2	≤3Q1566		+0.40mm	0.01	0.022
210	1A091-23980	METAL SIDE	2	≥3S0001	≠	+0.40mm	0.005	0.011
220	19202-04140	SEAL OIL	1				0.015	0.033
230	1G726-21770	KIT PISTON	3	≤4N1155		STD	0.75	1.65
230	1G726-21772	KIT PISTON	3	≥4Q0001	≠	STD	0.75	1.65
230	1G726-21780	KIT PISTON	3	≤4N1155		+0.25mm	0.8	1.76
230	1G726-21782	KIT PISTON	3	≥4Q0001	≠	+0.25mm	0.8	1.76
240	1G726-23750	KIT METAL ENGINE	1	≤3Q1566		STD	0.62	1.364
240	1G842-23750	KIT METAL ENGINE	1	≥3S0001	≠	STD	0.62	1.364
240	1G726-23760	KIT METAL ENGINE	1	≤3Q1566		-0.20mm/+0.20mm	0.65	1.43



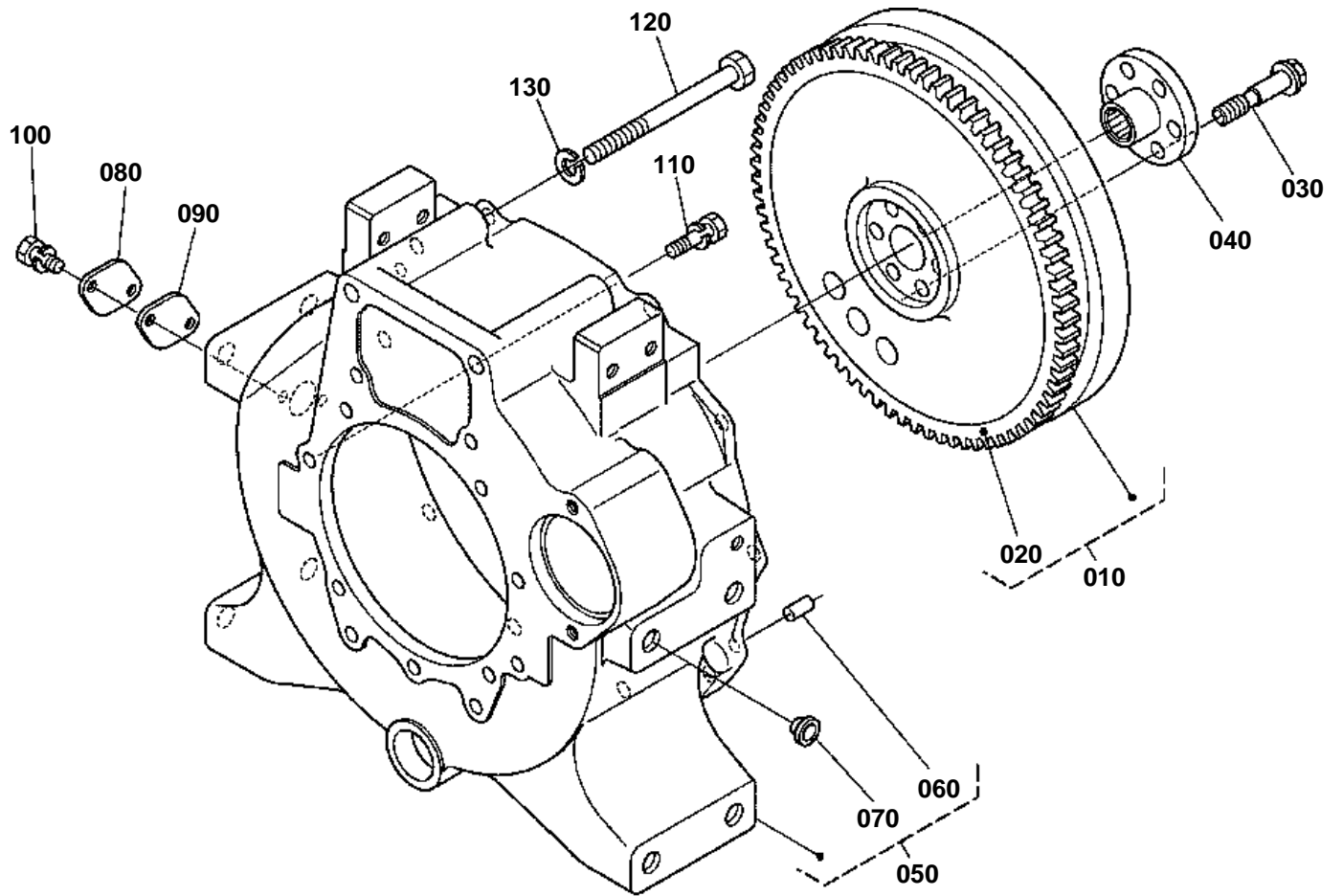
# PISTON AND CRANKSHAFT

↔ Interchangeable; ≠ not interchangeable; ← new for old; → old for new

REF.No	Part No.	Description	Q'ty	S.No.	I/C	REMARKS	Weight (kgf)	Weight (lb)
240	1G842-23760	KIT METAL ENGINE	1	>=3S0001	≠	-0.20mm/+0.20mm	0.65	1.43
240	1G726-23770	KIT METAL ENGINE	1	<=3Q1566		-0.40mm/+0.40mm	0.65	1.43
240	1G842-23770	KIT METAL ENGINE	1	>=3S0001	≠	-0.40mm/+0.40mm	0.65	1.43



FLYWHEEL [EXCEPT HST TYPE]



1G726-008-10

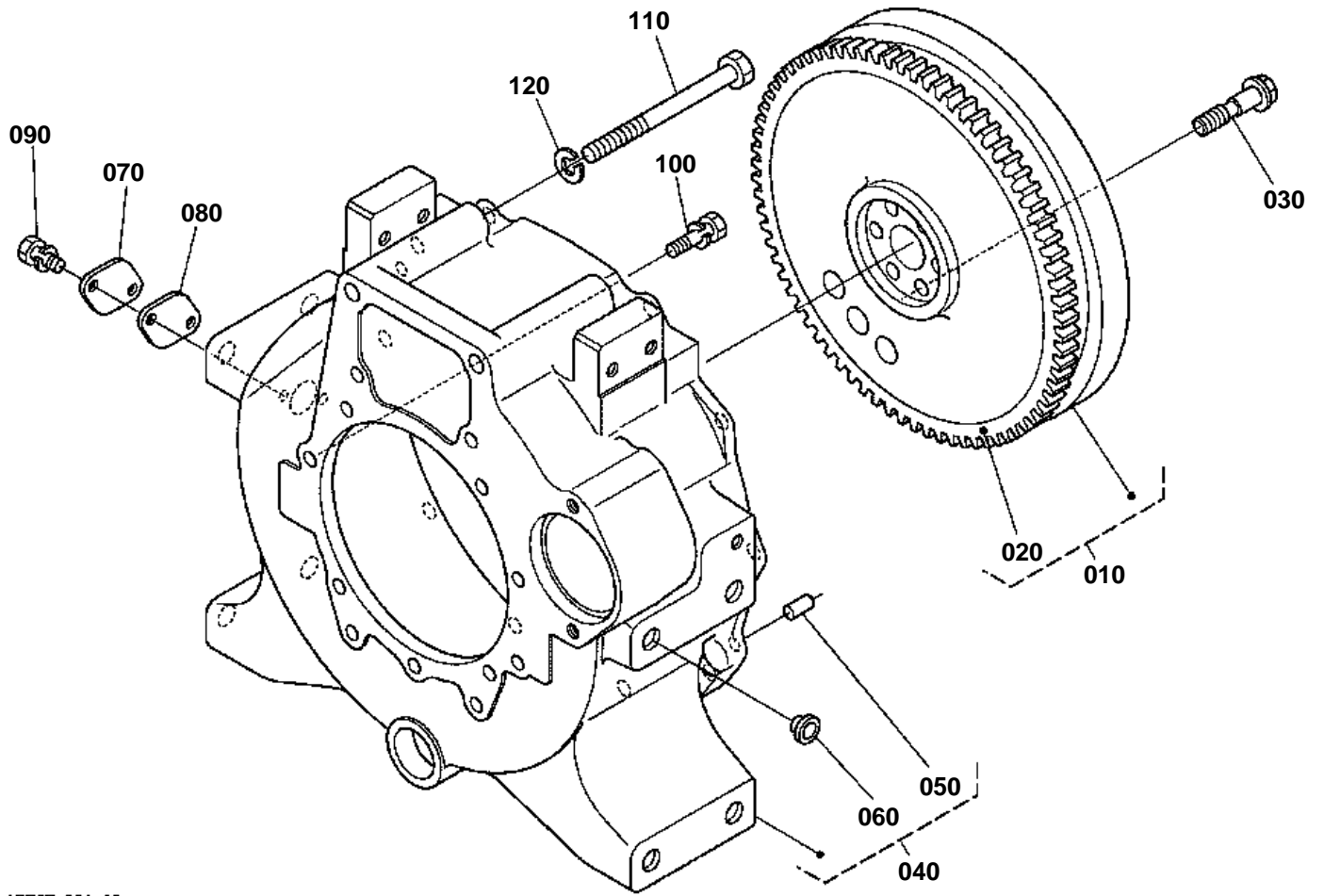


## FLYWHEEL [EXCEPT HST TYPE]

↔ Interchangeable; ≠ not interchangeable; ← new for old; → old for new

REF.No	Part No.	Description	Q'ty	S.No.	I/C	REMARKS	Weight (kgf)	Weight (lb)
010	1G726-25010	COMP.FLYWHEEL	1				26	57.2
020	1A021-63820	GEAR RING	1				1.5	3.3
030	17394-25160	BOLT FLYWHEEL	6				0.07	0.154
040	35080-14010	HUB SPLINE	1				0.44	0.968
050	TD060-20100	COMP.HOUSING F-W.	1				35	77
060	05012-01018	PIN STRAIGHT	2				0.012	0.0264
070	33300-90910	PLUG	8				0.002	0.0044
080	15521-04680	COVER	1				0.035	0.077
090	15521-04790	PACKING COVER	1				0.005	0.011
100	01123-60816	BOLT	2				0.01	0.022
110	16427-91010	BOLT	11				0.004	0.0088
120	01073-51207	BOLT	2				0.123	0.2706
130	04512-60120	WASHER SPRING	2				0.005	0.011

FLYWHEEL [HST TYPE]



16727-001-10

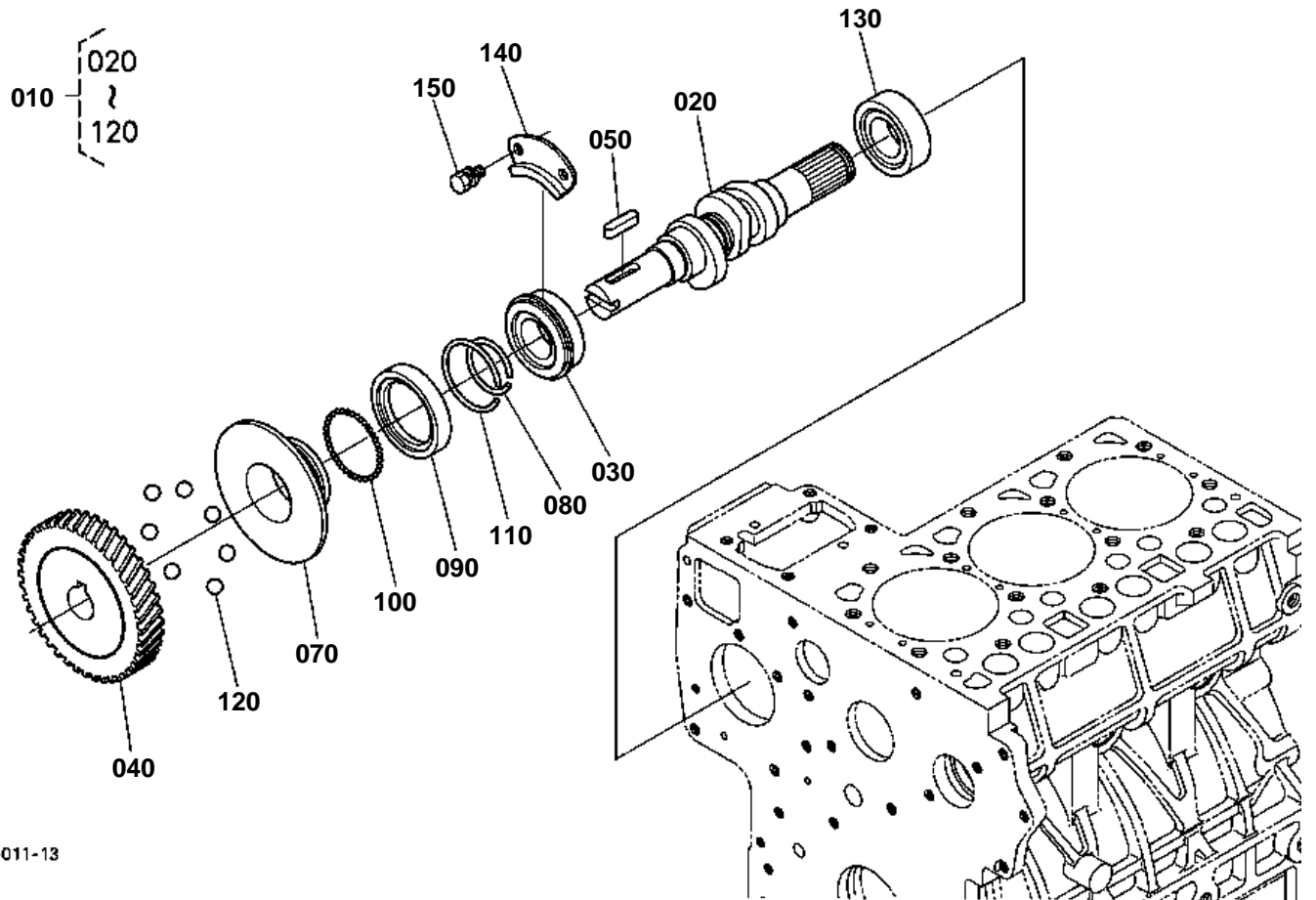


## FLYWHEEL [HST TYPE]

↔ Interchangeable; ≠ not interchangeable; ← new for old; → old for new

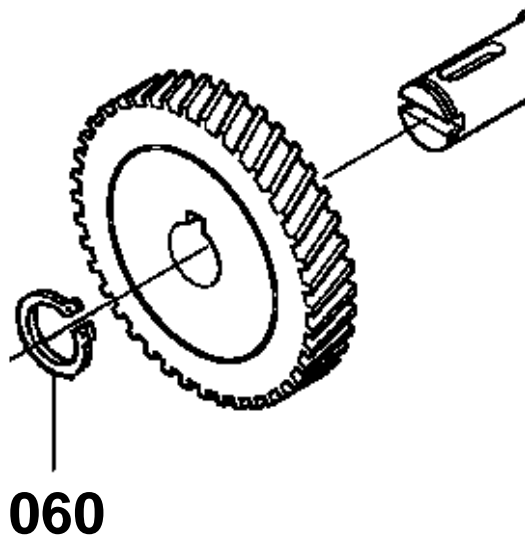
REF.No	Part No.	Description	Q'ty	S.No.	I/C	REMARKS	Weight (kgf)	Weight (lb)
010	1G726-25010	COMP.FLYWHEEL	1				26	57.2
020	1A021-63820	GEAR RING	1				1.5	3.3
030	16457-25160	BOLT FLYWHEEL	6				0.063	0.1386
040	TD060-20100	COMP.HOUSING F-W.	1				35	77
050	05012-01018	PIN STRAIGHT	2				0.012	0.0264
060	33300-90910	PLUG	8				0.002	0.0044
070	15521-04680	COVER	1				0.035	0.077
080	15521-04790	PACKING COVER	1				0.005	0.011
090	01123-60816	BOLT	2				0.01	0.022
100	16427-91010	BOLT	11				0.004	0.0088
110	01073-51207	BOLT	2				0.123	0.2706
120	04512-60120	WASHER SPRING	2				0.005	0.011

# FUEL CAMSHAFT



1A021-011-13

# OLD PARTS



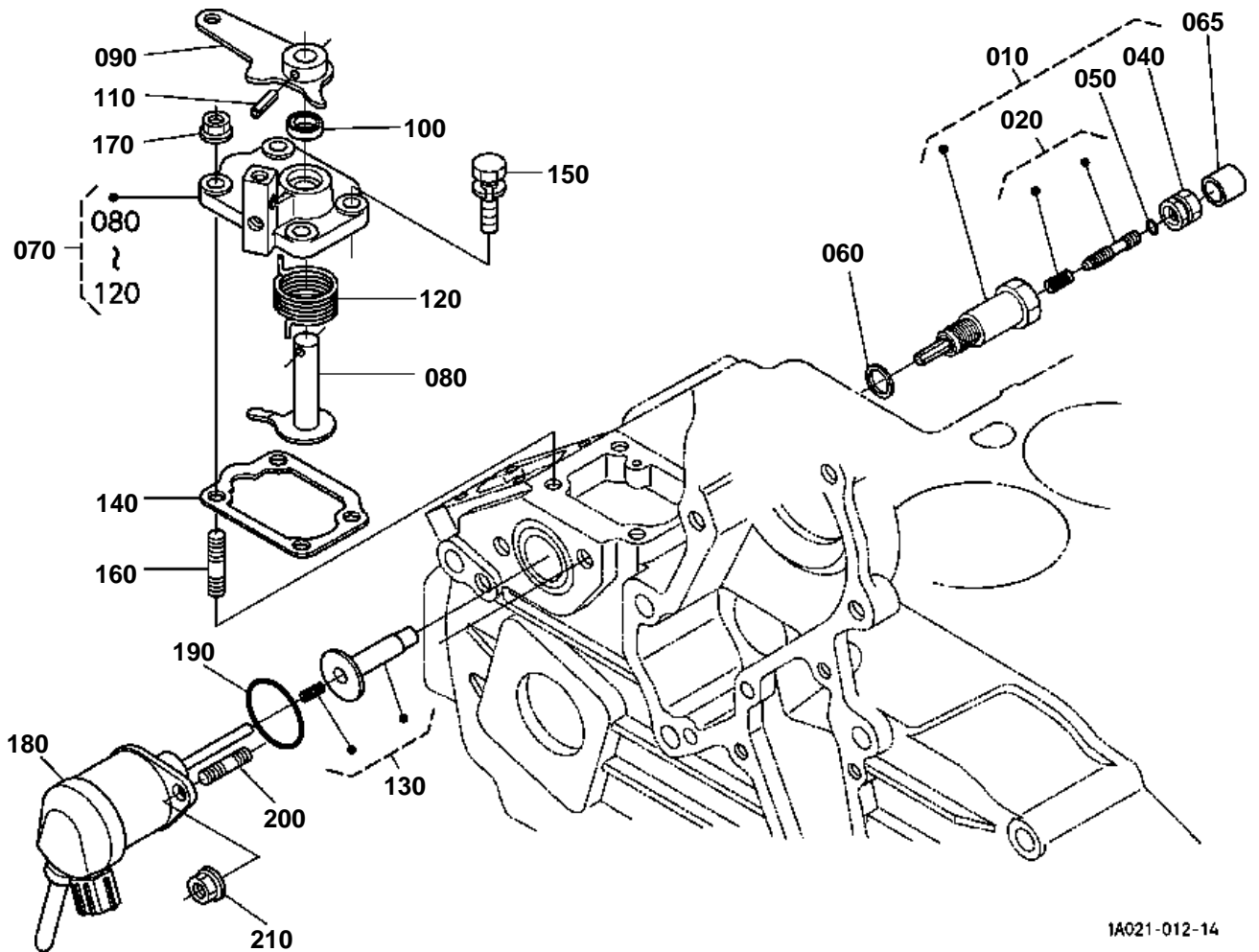
1A041-801-11

**FUEL CAMSHAFT**

↔ Interchangeable; ≠ not interchangeable; ← new for old; → old for new

REF.No	Part No.	Description	Q'ty	S.No.	I/C	REMARKS	Weight (kgf)	Weight (lb)
010	16427-16020	ASSY CAMSHAFT FUEL	1				2.5	5.5
020	16427-16173	CAMSHAFT FUEL	1				0.99	2.178
030	08153-06205	BEARING BALL	1				0.13	0.286
040	16415-51150	GEAR INJECTION PUMP	1				1.075	2.365
050	05712-00525	KEY FEATHER	1				0.005	0.011
060	04612-00240	CIR CLIP EXTERNAL	1	<=4E1752			0.002	0.0044
070	15611-55450	SLEEVE GOVERNOR	1				0.117	0.2574
080	15221-55470	CIR-CLIP GOV. SLEEVE	1				0.003	0.0066
090	15611-55690	CASE GOVERNOR BALL	1				0.03	0.066
100	07715-03205	BALL	39				0.001	0.0022
110	15221-55740	CIR-CLIP	1				0.002	0.0044
120	07715-00403	BALL	7				0.03	0.066
130	08103-06205	BEARING BALL	1	<=3G0964			0.12	0.264
130	1A021-97300	BEARING BALL	1	>=3J0001	≠		0.125	0.275
140	15221-16320	STOPPER FUEL C/SHAFT	1				0.02	0.044
150	01123-60814	BOLT	2				0.01	0.022

# ENGINE STOP LEVER



1A021-012-14



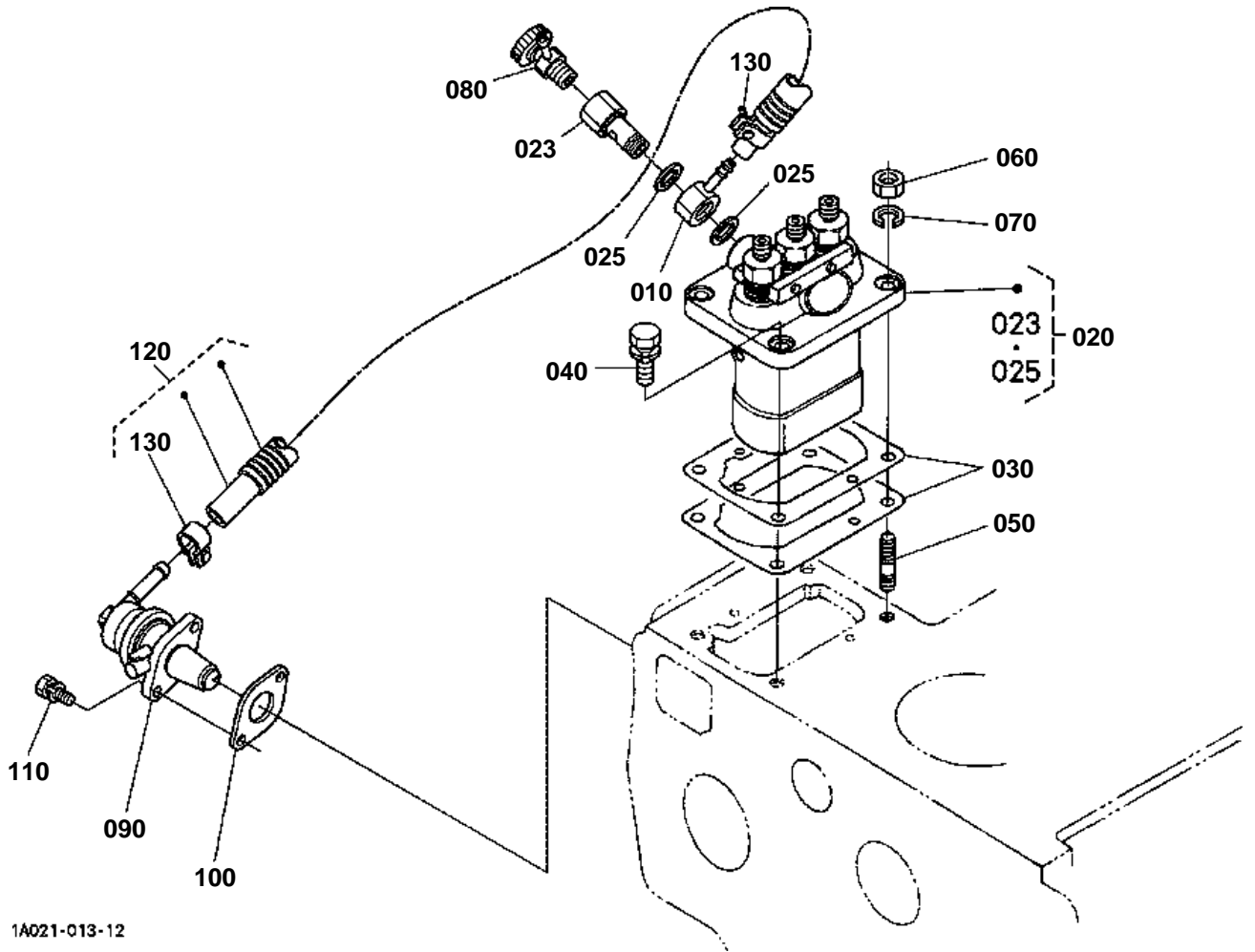


## ENGINE STOP LEVER

↔ Interchangeable; ≠ not interchangeable; ← new for old; → old for new

REF.No	Part No.	Description	Q'ty	S.No.	I/C	REMARKS	Weight (kgf)	Weight (lb)
010	1A021-54160	APPARATUS IDLING	1				0.103	0.2266
020	1G911-54100	ASSY BOLT ADJUSTMENT	1				0.008	0.0176
030	99999-99999	BLANK	0				0	0
040	1G911-92010	NUT SPRING	1				0.015	0.033
050	04814-00060	O RING	1				0.001	0.0022
060	04724-00140	GASKET	1				0.002	0.0044
065	1G911-54270	CAP	1				0.002	0.0044
070	1A021-57700	ASSY LEVER ENG.STOP	1				0.184	0.4048
080	1A021-57710	COMP.LEVER STOP	1				0.038	0.0836
090	1A021-57720	LEVER ENGINE STOP	1				0.055	0.121
100	15471-57980	SEAL OIL	1				0.001	0.0022
110	05411-00420	PIN SPRING	1				0.001	0.0022
120	1A021-57920	SPRING RETURN	1				0.01	0.022
130	1A021-56602	COMP.GUIDE SOLENOID	1				0.007	0.0154
140	1A021-57210	GASKET PLATE	1				0.001	0.0022
150	01023-50620	BOLT	2				0.006	0.0132
160	15221-88210	STUD	2				0.005	0.011
170	02751-50060	NUT FLANGE	2				0.005	0.011
180	1A021-60013	ASSY SOLENOID	1				0.29	0.638
190	04814-06310	O RING	1				0.002	0.0044
200	15221-88210	STUD	2				0.005	0.011
210	02761-50060	NUT FLANGE	2				0.003	0.0066

# INJECTION PUMP

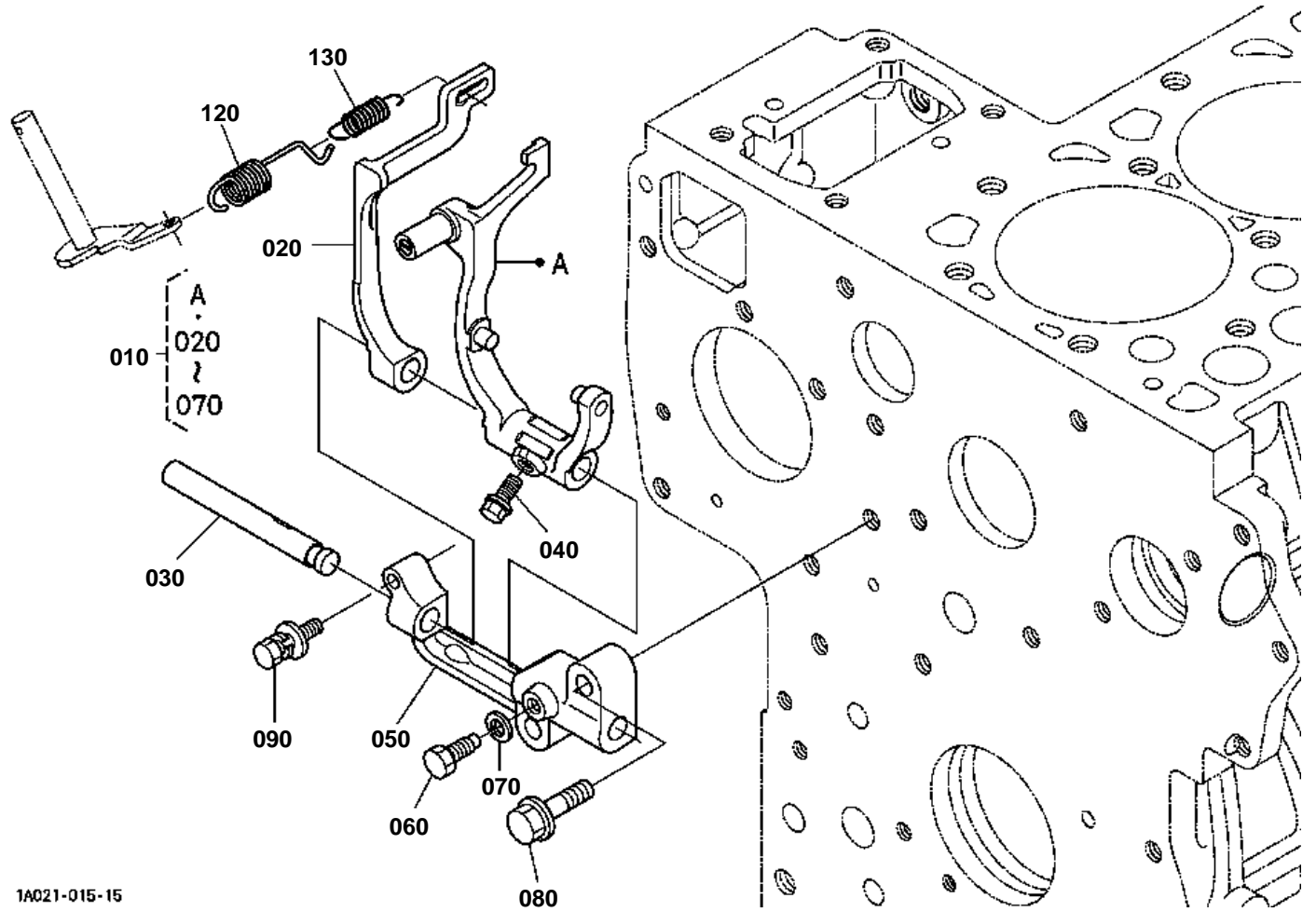


1A021-013-12

**INJECTION PUMP**

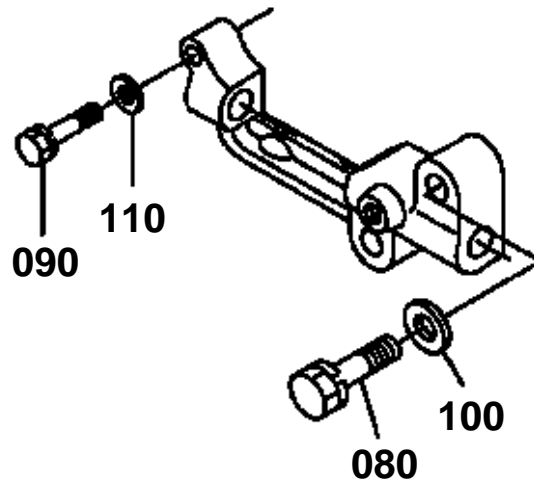
↔ Interchangeable; ≠ not interchangeable; ← new for old; → old for new

REF.No	Part No.	Description	Q'ty	S.No.	I/C	REMARKS	Weight (kgf)	Weight (lb)
010	14111-42410	JOINT EYE	1				0.025	0.055
020	1G702-51010	ASSY PUMP INJECTION	1				2.2	4.84
023	15521-51320	SCREW HOLLOW	1				0.035	0.077
025	15221-96650	GASKET	2				0.001	0.0022
030	16414-52090	SHIM INJECTION PUMP	1			0.20mm	0.001	0.0022
030	16414-52110	SHIM INJECTION PUMP	1			0.25mm	0.001	0.0022
030	16414-52120	SHIM INJECTION PUMP	1			0.30mm	0.005	0.011
040	01123-50822	BOLT	2				0.012	0.0264
050	15221-91530	STUD	2				0.011	0.0242
060	02156-50080	NUT	2				0.004	0.0088
070	04512-60080	WASHER SPRING	2				0.002	0.0044
080	14311-60504	ASSY COCK JET START	1				0.034	0.0748
090	17121-52030	ASSY PUMP FUEL	1				0.13	0.286
100	1A021-52140	GASKET FUEL PUMP	1	≤3W1642			0.001	0.0022
100	1G751-52140	GASKET FUEL PUMP	1	≥3Y0001	←		0.001	0.0022
110	01023-50616	BOLT	2				0.005	0.011
120	T1060-42600	ASSY TUBE FUEL	1				0.043	0.0946
130	14301-42750	CLIP PIPE	2				0.005	0.011



1A021-015-15

# OLD PARTS



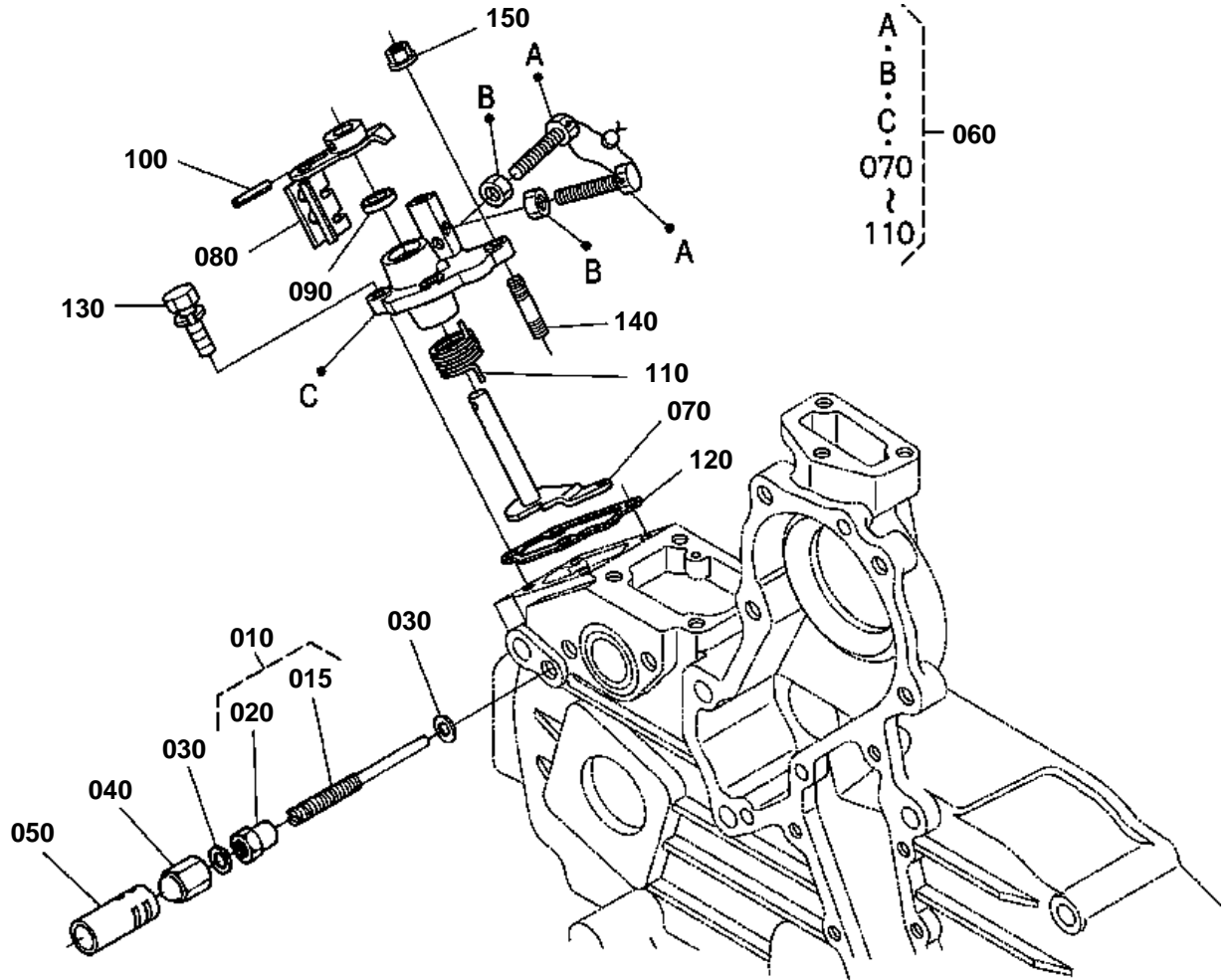
1G726-802-10

**GOVERNOR**

↔ Interchangeable; ≠ not interchangeable; ← new for old; → old for new

REF.No	Part No.	Description	Q'ty	S.No.	I/C	REMARKS	Weight (kgf)	Weight (lb)
010	1A022-56050	ASSY LEVER FORK	1				0.365	0.803
020	1A021-56132	LEVER FORK	1	≤3A1563			0	0
020	1A021-56133	LEVER FORK	1	≥3C0001	←		0.035	0.077
030	1G911-56150	SHAFT FORK LEVER	1				0.05	0.11
040	01754-50618	BOLT FLANGE	1				0.01	0.022
050	15221-56230	HOLDER FORK LEVER	1				0.1	0.22
060	15221-66410	BOLT	1				0.005	0.011
070	04512-60060	WASHER SPRING	1				0.001	0.0022
080	01123-50832	BOLT	2	≤3Q1566			0.016	0.0352
080	01754-50830	BOLT FLANGE	2	≥3S0001	←		0.05	0.11
090	01023-50628	BOLT	1	≤3Q1566			0.015	0.033
090	01025-50630	BOLT	1	≥3S0001	←		0.009	0.0198
100	04012-50080	WASHER PLAIN	2	≤3Q1566			0.001	0.0022
110	04012-50060	WASHER PLAIN	1	≤3Q1566			0.001	0.0022
120	1A023-56410	SPRING GOVERNOR	1			OLD PART	0.005	0.011
120	1A023-56412	SPRING GOVERNOR	1		←	NEW PART	0.005	0.011
130	1A021-56420	SPRING GOVERNOR	1				0.002	0.0044

# SPEED CONTROL PLATE



1G859-007-11



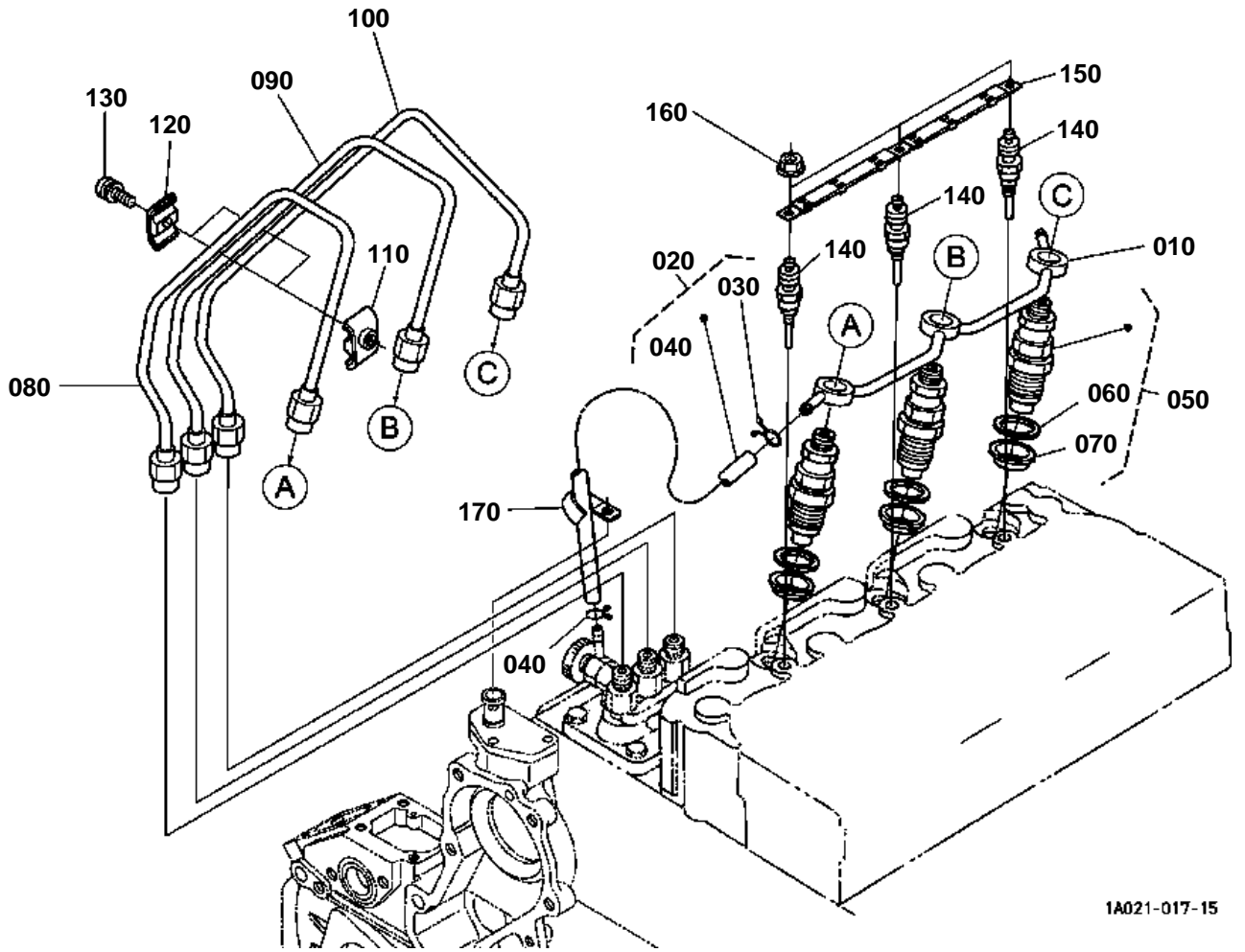
## SPEED CONTROL PLATE

↔ Interchangeable; ≠ not interchangeable; ← new for old; → old for new

REF.No	Part No.	Description	Q'ty	S.No.	I/C	REMARKS	Weight (kgf)	Weight (lb)
010	1A021-54350	ASSY BOLT ADJUSTMENT	1				0.015	0.033
015	1A021-54120	BOLT ADJUSTING	1				0.009	0.0198
020	15601-92012	NUT	1				0.006	0.0132
030	15601-96650	GASKET	2				0.001	0.0022
040	15841-14620	NUT	1				0.01	0.022
050	99999-99999	PIPE LOCK	1				0	0
060	1A021-57000	ASSY PLATE CONTROL	1				0.23	0.506
070	1A021-56020	COMP.LEVER GOVERNOR	1				0.046	0.1012
080	1A021-57150	LEVER SPEED CONTROL	1				0.066	0.1452
090	15471-57980	SEAL OIL	1				0.001	0.0022
100	05411-00420	PIN SPRING	1				0.001	0.0022
110	1A021-57920	SPRING RETURN	1				0.01	0.022
120	1A021-57210	GASKET PLATE	1				0.001	0.0022
130	01023-50620	BOLT	2				0.006	0.0132
140	15221-88210	STUD	2				0.005	0.011
150	02751-50060	NUT FLANGE	2				0.005	0.011

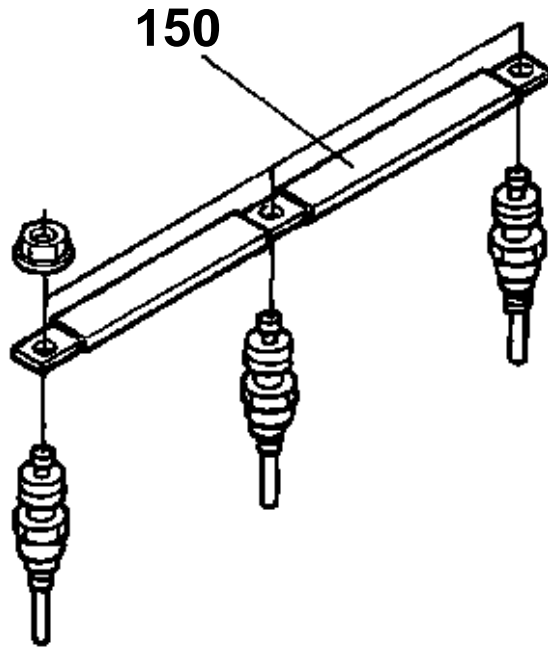


NOZZLE HOLDER AND GLOW PLUG



1A021-017-15

# OLD PARTS



1G755-800-10

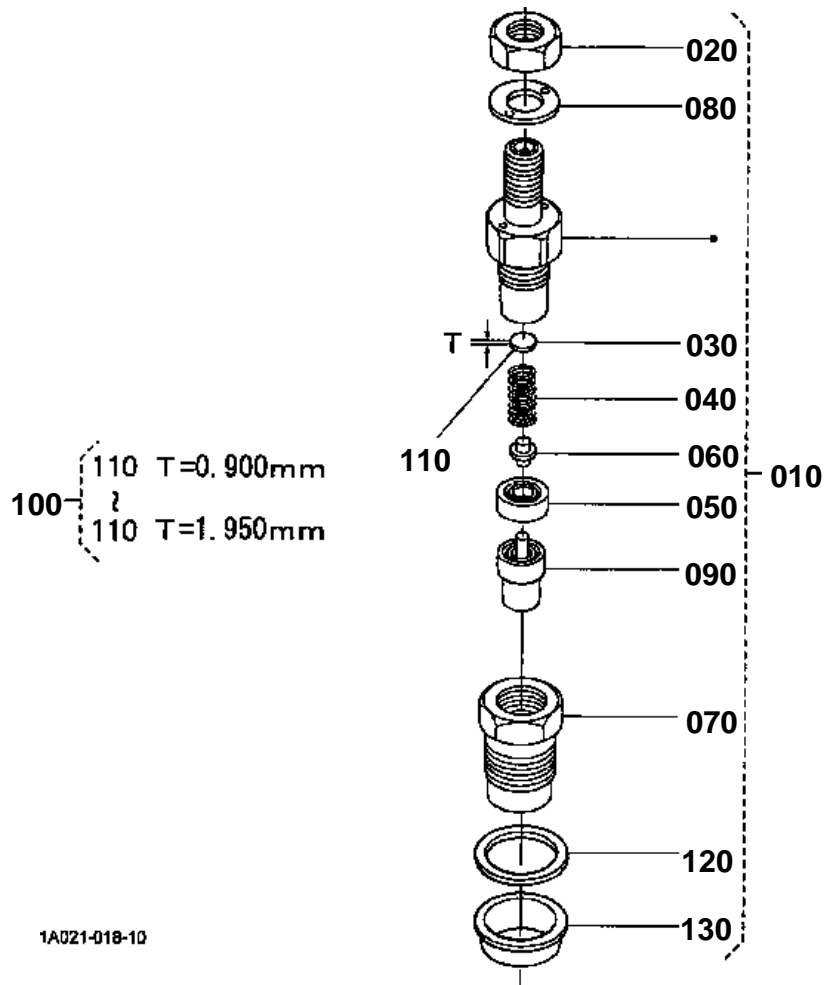


# NOZZLE HOLDER AND GLOW PLUG

↔ Interchangeable; ≠ not interchangeable; ← new for old; → old for new

REF.No	Part No.	Description	Q'ty	S.No.	I/C	REMARKS	Weight (kgf)	Weight (lb)
010	16467-42502	ASSY PIPE OVER FLOW	1				0.045	0.099
020	17331-42500	ASSY PIPE OVER FLOW	1				0.02	0.044
030	14971-42750	CLIP PIPE	1				0.001	0.0022
040	10244-42320	CLIP PIPE	1				0.001	0.0022
050	16082-53900	KIT HOLDER NOZZLE	3				0.145	0.319
060	15841-53622	GASKET	3				0.002	0.0044
070	19077-53650	SEAL HEAT	3				0.005	0.011
080	19077-53714	PIPE INJECTION	1				0.14	0.308
090	19077-53723	PIPE INJECTION	1				0.14	0.308
100	19077-53733	PIPE INJECTION	1				0.12	0.264
110	15841-53850	CLAMP PIPE	2				0.01	0.022
120	15841-53860	CLAMP PIPE	2				0.009	0.0198
130	03024-50520	SCREW WITH WASHER	2				0.004	0.0088
140	16415-65510	GLOW PLUG	3	<=2Y2172			0.03	0.066
140	19077-65510	GLOW PLUG	3	>=3A0001	←		0.03	0.066
150	16415-65560	CORD GLOW PLUG	1				0.015	0.033
150	1G742-65560	CORD GLOW PLUG	1		↔		0	0
160	02761-50040	NUT FLANGE	3				0.002	0.0044
170	15241-67580	CLAMP CORD	1				0.004	0.0088

NOZZLE HOLDER [COMPONENT PARTS]



1A021-018-10

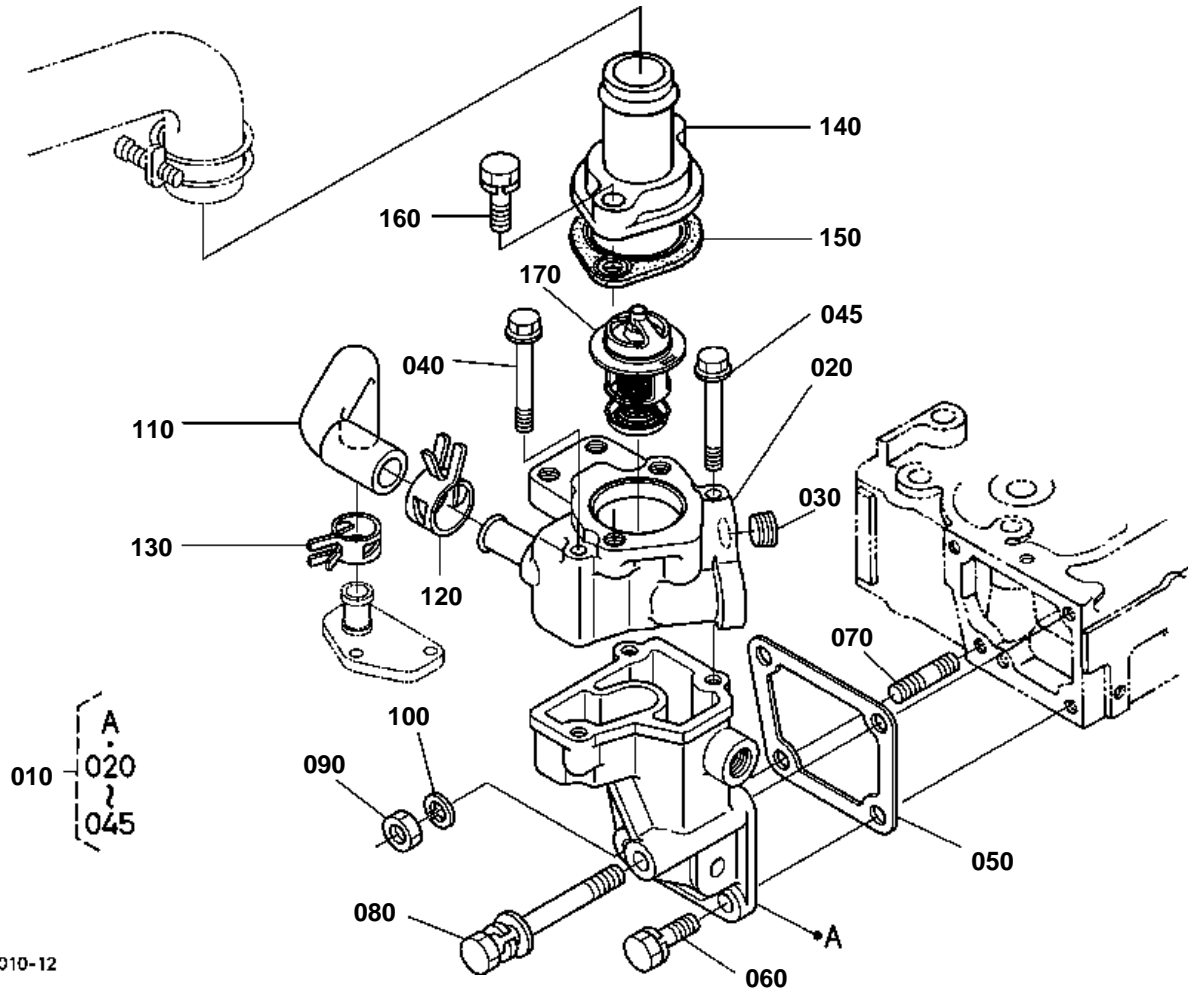


# NOZZLE HOLDER [COMPONENT PARTS]

↔ Interchangeable; ≠ not interchangeable; ← new for old; → old for new

REF.No	Part No.	Description	Q'ty	S.No.	I/C	REMARKS	Weight (kgf)	Weight (lb)
010	16082-53900	KIT HOLDER NOZZLE	3				0.145	0.319
020	15841-92030	NUT	3				0.005	0.011
030	15841-53230	WASHER ADJUSTING	3				0.001	0.0022
040	15841-53170	SPRING NOZZLE	3				0.004	0.0088
050	15841-53350	PIECE DISTANCE	3				0.004	0.0088
060	15841-53160	PUSH ROD	3				0.001	0.0022
070	16475-53280	NUT NOZZLE	3				0.03	0.066
080	15841-94040	WASHER	3				0.001	0.0022
090	16082-53610	PIECE NOZZLE	3				0.023	0.0506
100	15841-98100	ASSY WASHER ADJUST	3			OPTION	0.043	0.0946
110	15841-53230	WASHER ADJUSTING	3			0.900mm	0.001	0.0022
110	15841-98510	WASHER ADJUSTING	3			0.925mm	0.001	0.0022
110	15841-98520	WASHER ADJUSTING	3			0.950mm	0.001	0.0022
110	15841-98530	WASHER ADJUSTING	3			0.975mm	0.001	0.0022
110	15841-98540	WASHER ADJUSTING	3			1.000mm	0.001	0.0022
110	15841-98550	WASHER ADJUSTING	3			1.025mm	0.001	0.0022
110	15841-98560	WASHER ADJUSTING	3			1.050mm	0.001	0.0022
110	15841-98570	WASHER ADJUSTING	3			1.075mm	0.001	0.0022
110	15841-98580	WASHER ADJUSTING	3			1.100mm	0.001	0.0022
110	15841-98590	WASHER ADJUSTING	3			1.125mm	0.001	0.0022
110	15841-98600	WASHER ADJUSTING	3			1.150mm	0.001	0.0022
110	15841-98610	WASHER ADJUSTING	3			1.175mm	0.001	0.0022
110	15841-98620	WASHER ADJUSTING	3			1.200mm	0.001	0.0022
110	15841-98630	WASHER ADJUSTING	3			1.225mm	0.001	0.0022
110	15841-98640	WASHER ADJUSTING	3			1.250mm	0.001	0.0022
110	15841-98650	WASHER ADJUSTING	3			1.275mm	0.001	0.0022
110	15841-98660	WASHER ADJUSTING	3			1.300mm	0.001	0.0022
110	15841-98670	WASHER ADJUSTING	3			1.325mm	0.001	0.0022
110	15841-98680	WASHER ADJUSTING	3			1.350mm	0.001	0.0022
110	15841-98690	WASHER ADJUSTING	3			1.375mm	0.001	0.0022
110	15841-98700	WASHER ADJUSTING	3			1.400mm	0.001	0.0022
110	15841-98710	WASHER ADJUSTING	3			1.425mm	0.001	0.0022
110	15841-98720	WASHER ADJUSTING	3			1.450mm	0.001	0.0022
110	15841-98730	WASHER ADJUSTING	3			1.475mm	0.001	0.0022
110	15841-98740	WASHER ADJUSTING	3			1.500mm	0.001	0.0022
110	15841-98750	WASHER ADJUSTING	3			1.525mm	0.001	0.0022
110	15841-98760	WASHER ADJUSTING	3			1.550mm	0.001	0.0022
110	15841-98770	WASHER ADJUSTING	3			1.575mm	0.001	0.0022
110	15841-98780	WASHER ADJUSTING	3			1.600mm	0.002	0.0044
110	15841-98790	WASHER ADJUSTING	3			1.625mm	0.001	0.0022
110	15841-98800	WASHER ADJUSTING	3			1.650mm	0.001	0.0022
110	15841-98810	WASHER ADJUSTING	3			1.675mm	0.004	0.0088
110	15841-98820	WASHER ADJUSTING	3			1.700mm	0.001	0.0022
110	15841-98830	WASHER ADJUSTING	3			1.725mm	0.001	0.0022
110	15841-98840	WASHER ADJUSTING	3			1.750mm	0.001	0.0022
110	15841-98850	WASHER ADJUSTING	3			1.775mm	0.001	0.0022
110	15841-98860	WASHER ADJUSTING	3			1.800mm	0.001	0.0022
110	15841-98870	WASHER ADJUSTING	3			1.825mm	0.001	0.0022
110	15841-98880	WASHER ADJUSTING	3			1.850mm	0.001	0.0022
110	15841-98890	WASHER ADJUSTING	3			1.875mm	0.001	0.0022
110	15841-98900	WASHER ADJUSTING	3			1.900mm	0.001	0.0022
110	15841-98910	WASHER ADJUSTING	3			1.925mm	0.001	0.0022
110	15841-98920	WASHER ADJUSTING	3			1.950mm	0.001	0.0022
120	15841-53622	GASKET	3				0.002	0.0044
130	19077-53650	SEAL HEAT	3				0.005	0.011

WATER FLANGE AND THERMOSTAT [ROPS TYPE]



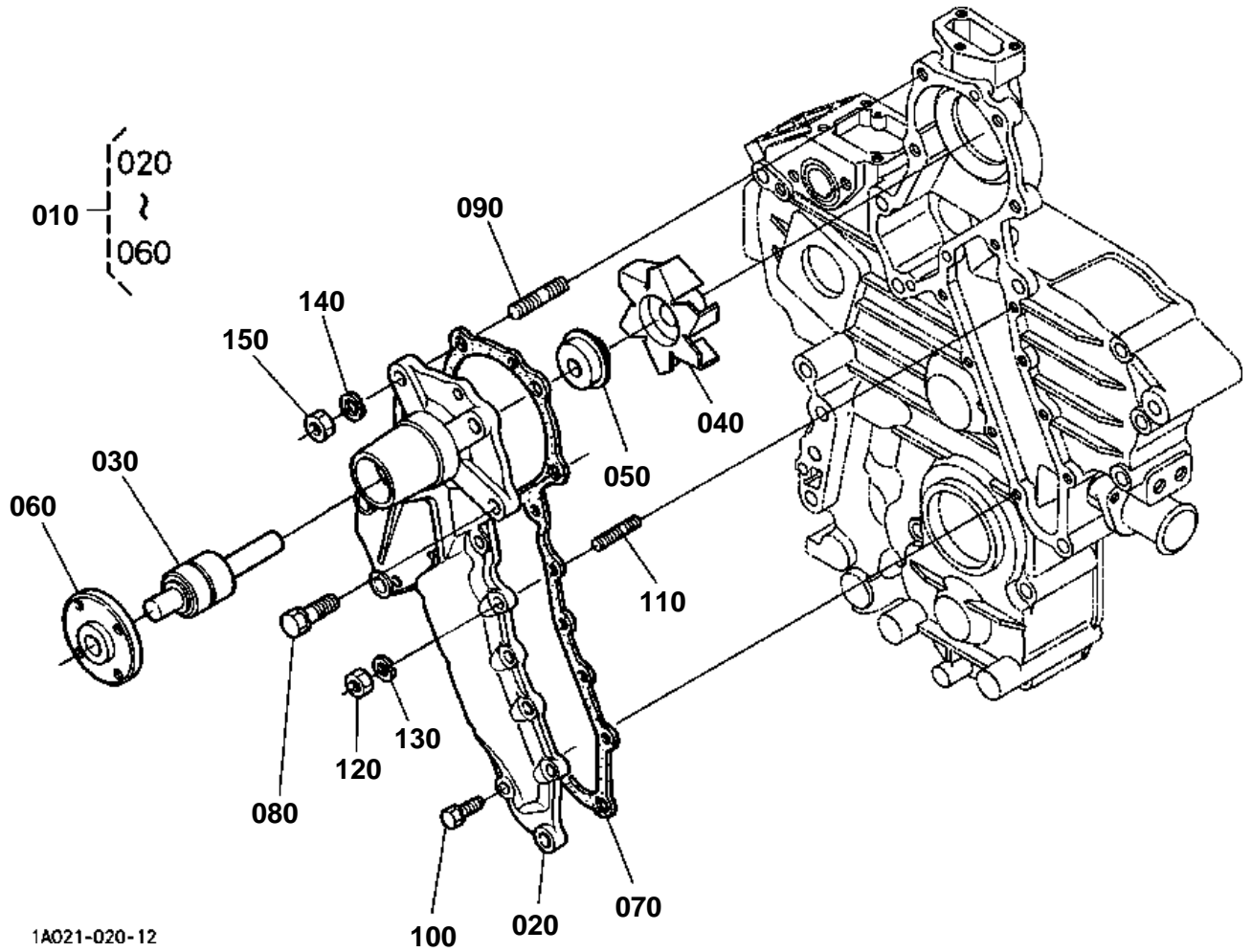


# WATER FLANGE AND THERMOSTAT [ROPS TYPE]

↔ Interchangeable; ≠ not interchangeable; ← new for old; → old for new

REF.No	Part No.	Description	Q'ty	S.No.	I/C	REMARKS	Weight (kgf)	Weight (lb)
010	1A021-72706	COMP.FLANGE WATER	1				0.82	1.804
020	1A021-72914	FLANGE WATER	1				0.375	0.825
030	1A021-96020	PLUG	1				0.015	0.033
040	01754-50660	BOLT FLANGE	2				0.02	0.044
045	01754-50665	BOLT FLANGE	1				0.01	0.022
050	1A021-72920	GASKET WATER FLANGE	1				0.002	0.0044
060	01123-50822	BOLT	2				0.012	0.0264
070	15221-91530	STUD	1				0.011	0.0242
080	1A021-91020	BOLT	1				0.032	0.0704
090	02156-50080	NUT	1				0.004	0.0088
100	04512-60080	WASHER SPRING	1				0.002	0.0044
110	1A021-73340	PIPE WATER RETURN	1				0.032	0.0704
120	09318-88200	CLAMP HOSE	1				0.004	0.0088
130	09318-88180	CLAMP HOSE	1				0.01	0.022
140	15321-73260	COVER THERMOSTAT	1				0.107	0.2354
150	16221-73270	GASKET THERMOSTAT	1				0.01	0.022
160	01123-50835	BOLT	2				0.02	0.044
170	1A021-73012	ASSY THERMOSTAT	1				0.079	0.1738

# WATER PUMP



1A021-020-12



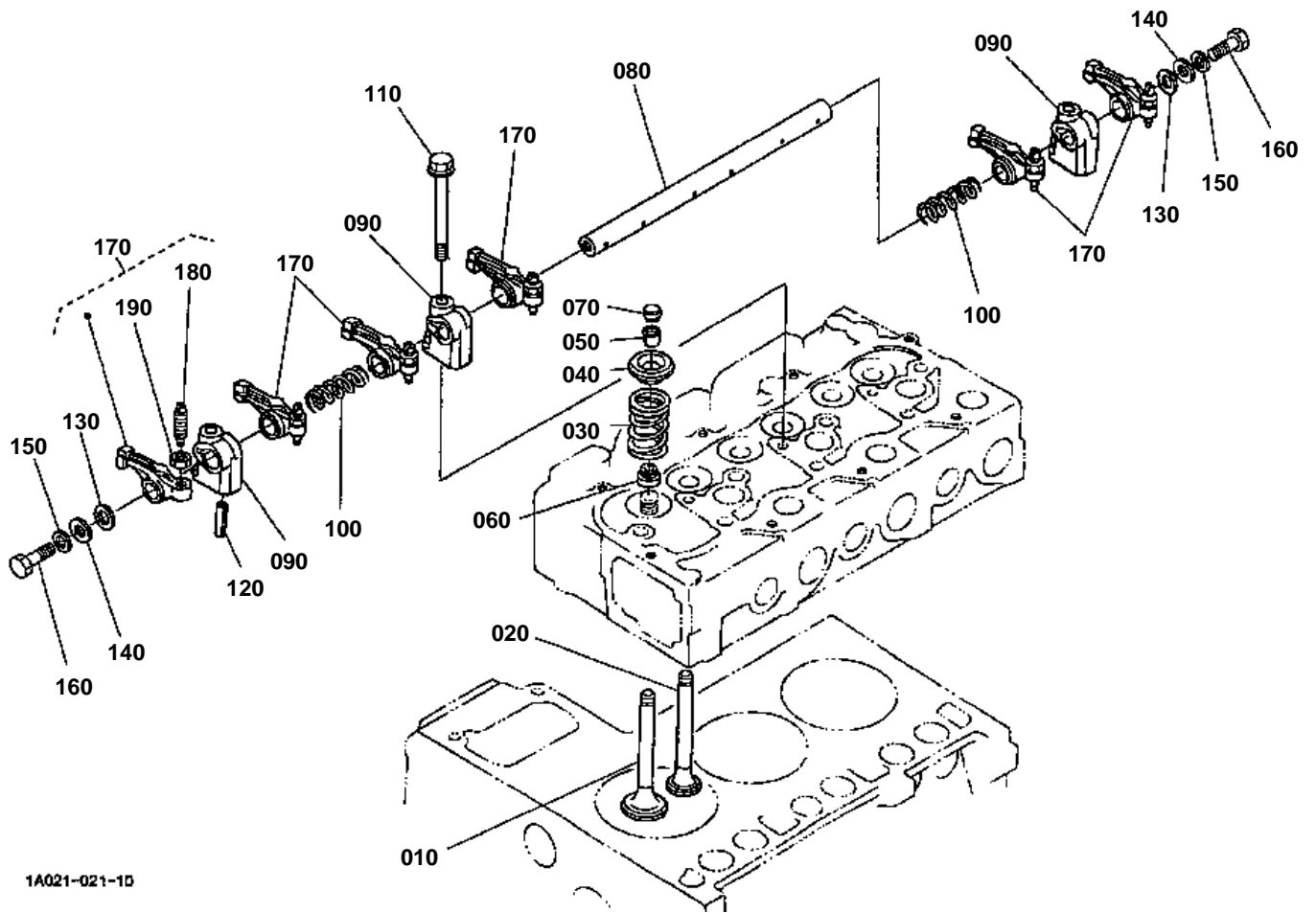


# WATER PUMP

↔ Interchangeable; ≠ not interchangeable; ← new for old; → old for new

REF.No	Part No.	Description	Q'ty	S.No.	I/C	REMARKS	Weight (kgf)	Weight (lb)
010	1A021-73030	ASSY PUMP WATER	1				1	2.2
020	17331-73410	BODY WATER PUMP	1				0.51	1.122
030	15521-73550	BEARING	1				0.235	0.517
040	1A021-73510	IMPELLER WATER PUMP	1				0.065	0.143
050	16661-73050	ASSY SEAL MECHANICAL	1				0.025	0.055
060	15521-73520	FLANGE WATER PUMP	1	≤3E1221			0.25	0.55
060	1A021-73520	FLANGE W/PUMP SHAFT	1	≥3G0001	≠		0.185	0.407
070	1A021-73430	GASKET WATER PUMP	1				0.007	0.0154
080	01123-50828	BOLT	3				0.014	0.0308
090	15521-91510	STUD	1	≤3U1768			0.012	0.0264
090	01518-50822	STUD	1	≥3W0001	←		0.012	0.0264
100	01023-50618	BOLT	8				0.006	0.0132
110	15221-88210	STUD	1				0.005	0.011
120	02056-50060	NUT	1				0.002	0.0044
130	04512-60060	WASHER SPRING	1				0.001	0.0022
140	04512-60080	WASHER SPRING	1				0.002	0.0044
150	02156-50080	NUT	1				0.004	0.0088

# VALVE AND ROCKER ARM



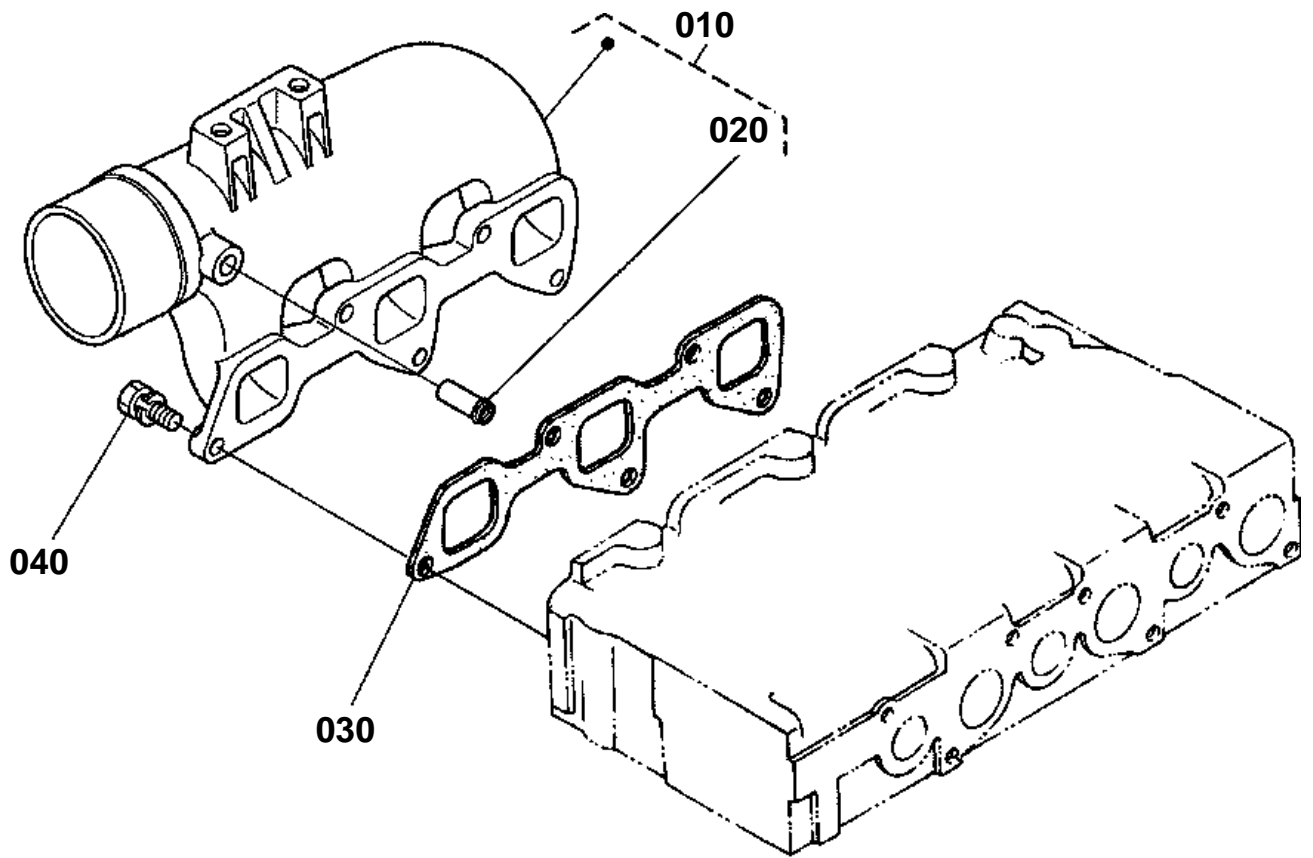
1A021-021-10

**VALVE AND ROCKER ARM**

↔ Interchangeable; ≠ not interchangeable; ← new for old; → old for new

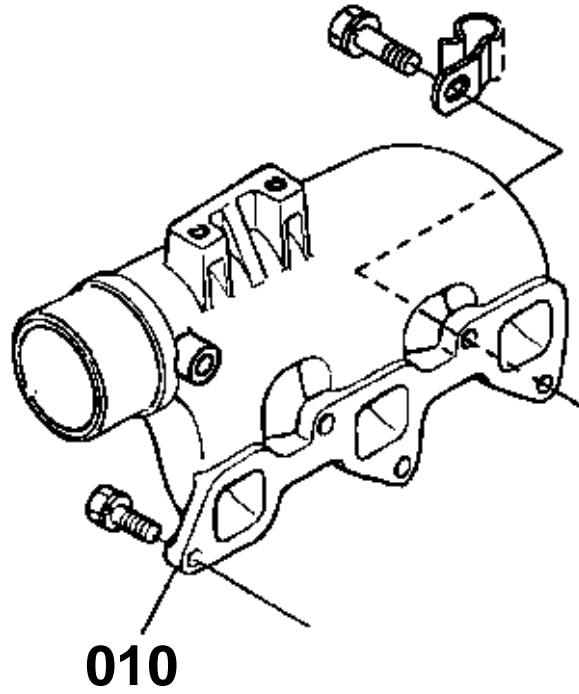
REF.No	Part No.	Description	Q'ty	S.No.	I/C	REMARKS	Weight (kgf)	Weight (lb)
010	16484-13110	VALVE INLET	3				0.06	0.132
020	16484-13120	VALVE EXHAUST	3				0.13	0.286
030	15221-13240	SPRING VALVE	6				0.036	0.0792
040	15221-13330	RETAINER VALVE SP.	6				0.03	0.066
050	15221-13980	COLLET VALVE SPRING	6			SET	0.002	0.0044
060	15221-13150	SEAL VALVE STEM	6	<=3S1926			0.001	0.0022
060	15221-13153	SEAL VALVE STEM	6	>=3U0001	←		0.001	0.0022
070	15221-13280	CAP VALVE	6				0.006	0.0132
080	1A021-14260	SHAFT ROCKER ARM	1				0.225	0.495
090	15221-14350	BRACKET ROCKER ARM	3				0.044	0.0968
100	15221-14310	SPRING ROCKER ARM	2				0.005	0.011
110	01754-50855	BOLT FLANGE	3				0.02	0.044
120	05411-00528	PIN SPRING	1				0.003	0.0066
130	15221-14430	WASHER R-ARM.SHAFT	2				0.002	0.0044
140	04013-60080	WASHER PLAIN	2				0.002	0.0044
150	04512-60080	WASHER SPRING	2				0.002	0.0044
160	01153-50812	BOLT	2				0.008	0.0176
170	15621-14030	ASSY ROCKER ARM	6				0.1	0.22
180	15521-14230	SCREW ADJUSTING	6				0.009	0.0198
190	15021-14240	NUT	6				0.003	0.0066

INLET MANIFOLD



1G758-008-10

# OLD PARTS



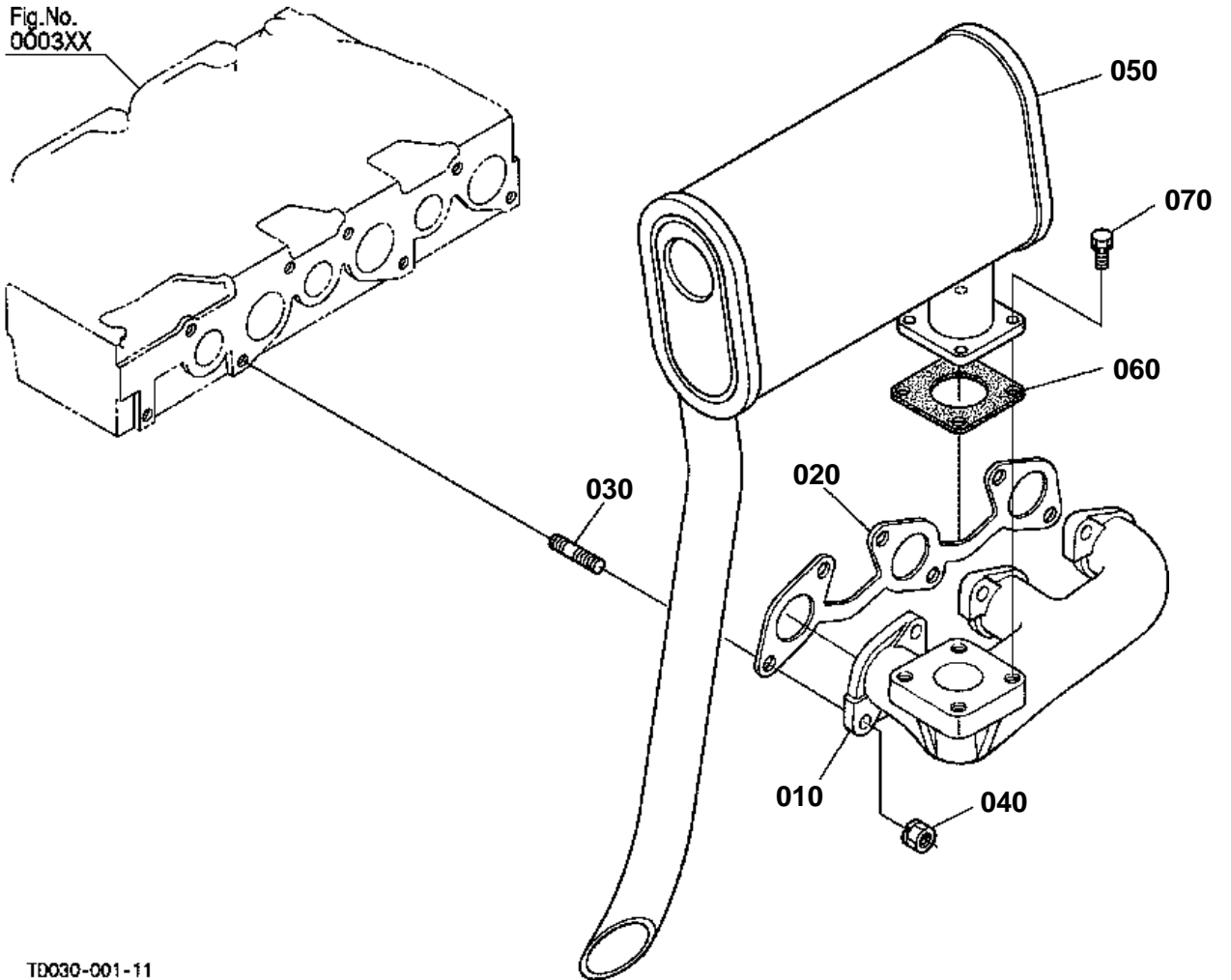
1G726-803-10



# INLET MANIFOLD

↔ Interchangeable; ≠ not interchangeable; ← new for old; → old for new

REF.No	Part No.	Description	Q'ty	S.No.	I/C	REMARKS	Weight (kgf)	Weight (lb)
010	16427-11760	MANIFOLD INLET	1	≤=3W1642			0.9	1.98
010	1G751-11772	ASSY MANIFOLD INLET	1	≥=3Y0001	≠		0.9	1.98
020	17331-73342	PIPE WATER RETURN	1	≥=3Y0001			0.01	0.022
030	1A021-11822	GASKET IN-MANIFOLD	1				0.006	0.0132
040	01123-50822	BOLT	4	≤=3W1642			0.012	0.0264
040	01123-50822	BOLT	5	≥=3Y0001			0.012	0.0264



TD030-001-11

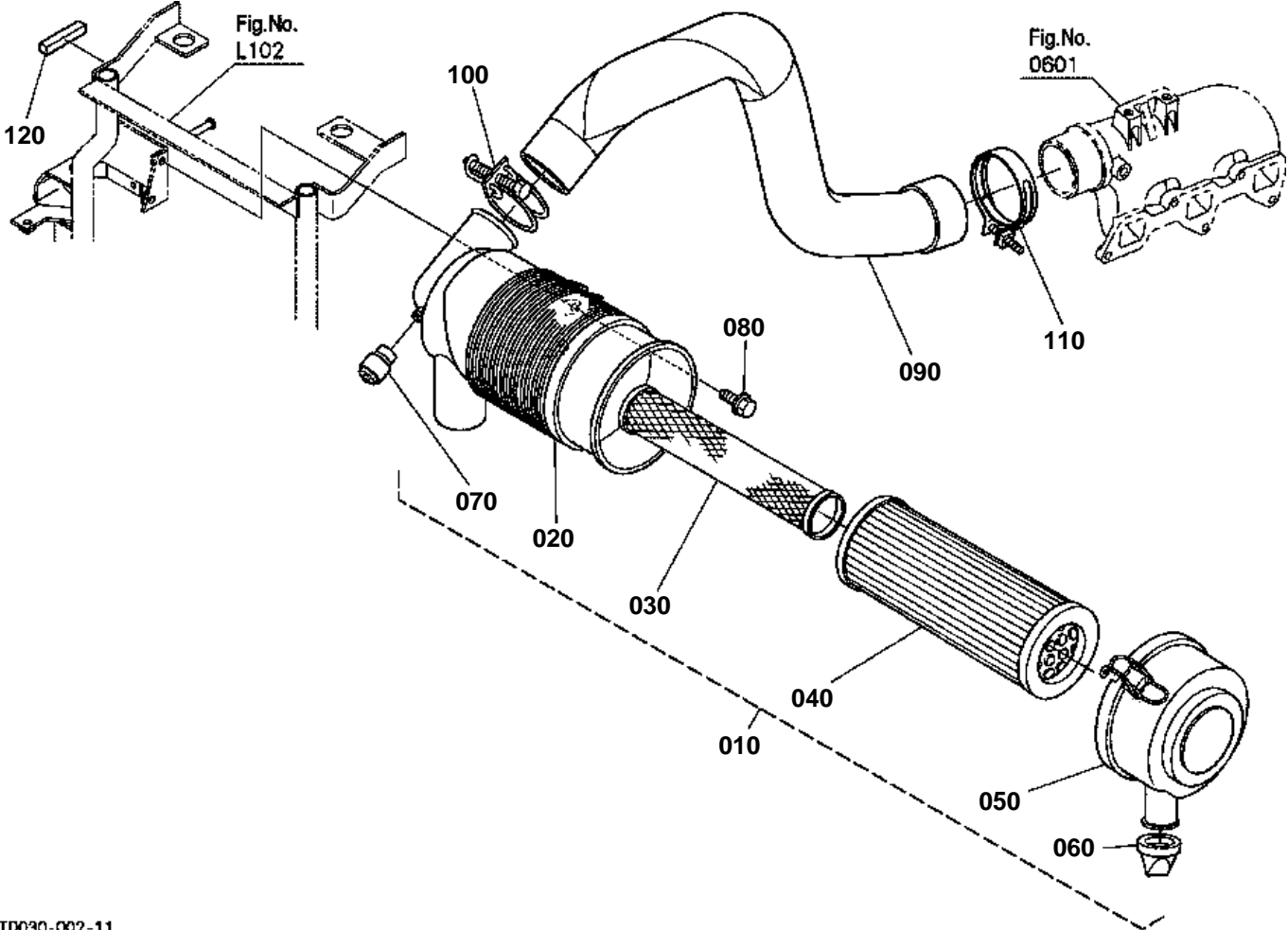


# EXHAUST MANIFOLD/MUFFLER

↔ Interchangeable; ≠ not interchangeable; ← new for old; → old for new

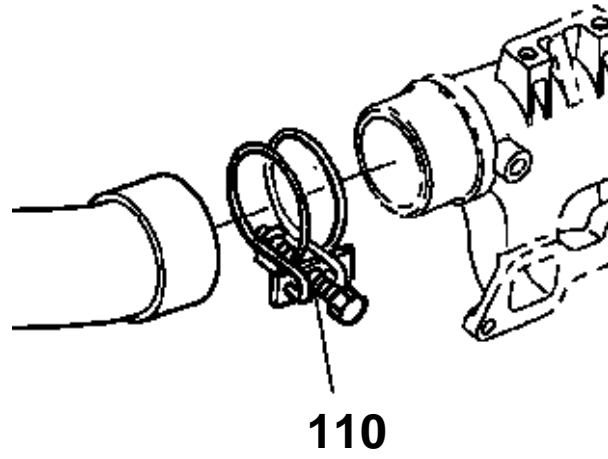
REF.No	Part No.	Description	Q'ty	S.No.	I/C	REMARKS	Weight (kgf)	Weight (lb)
010	17367-12313	MANIFOLD EXHAUST	1				2	4.4
020	1A021-12350	GASKET EX-MANIFOLD	1				0.028	0.0616
030	15221-91530	STUD	6				0.011	0.0242
040	16429-92010	NUT	6				0.007	0.0154
050	TD050-16410	MUFFLER	1				6.4	14.08
060	T0070-16420	GASKET MUFFLER	1				0.016	0.0352
070	01128-50825	BOLT	4				0.015	0.033





TD030-002-11

# OLD PARTS



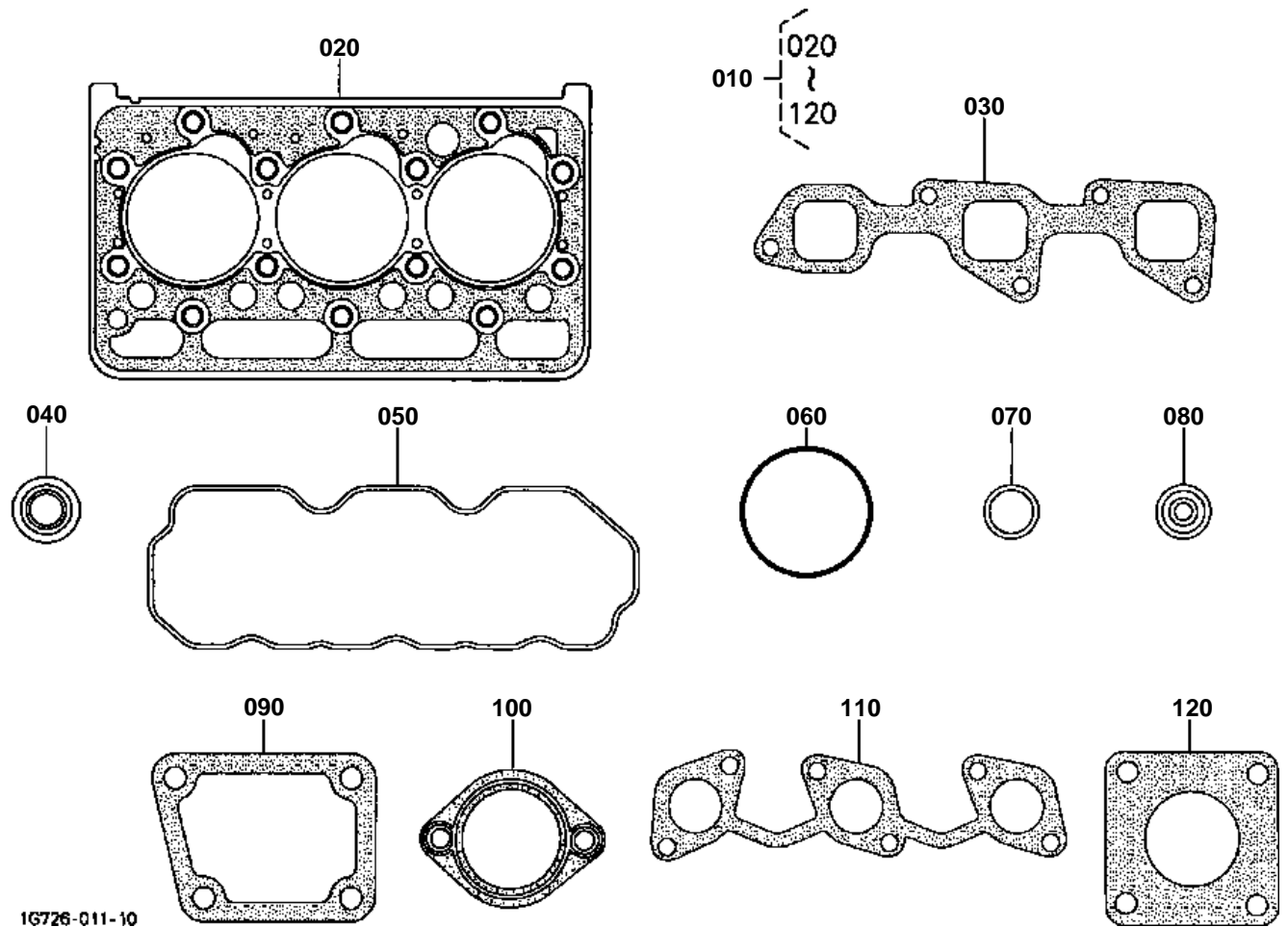
TD030-812-10

**AIR CLEANER [ROPS TYPE]**

↔ Interchangeable; ≠ not interchangeable; ← new for old; → old for new

REF.No	Part No.	Description	Q'ty	S.No.	I/C	REMARKS	Weight (kgf)	Weight (lb)
010	TD050-16300	ASSY CLEANER AIR(W)	1				1.17	2.574
020	TD050-93210	COMP.BODY A/C	1				0.44	0.968
030	TA040-93220	ASSY ELEMENT INNER	1				0.195	0.429
040	TA040-93230	ASSY ELEMENT OUTER	1				0.56	1.232
050	TA140-93240	ASSY COVER A/C	1				0.305	0.671
060	TA040-93250	VALVE EVACUATOR	1				0.011	0.0242
070	15126-11090	ASSY INDICATOR	1				0.025	0.055
080	01754-50816	BOLT FLANGE	2				0.011	0.0242
090	T1060-16330	HOSE	1				0.805	1.771
100	09318-89066	CLAMP HOSE	1				0.036	0.0792
110	09318-89069	CLAMP HOSE	1	<=35755			0.04	0.088
110	31351-18110	BAND PIPE	1	>=35756	←		0.04	0.088
120	T1060-16380	CUSHION	1				0.026	0.0572

UPPER GASKET KIT



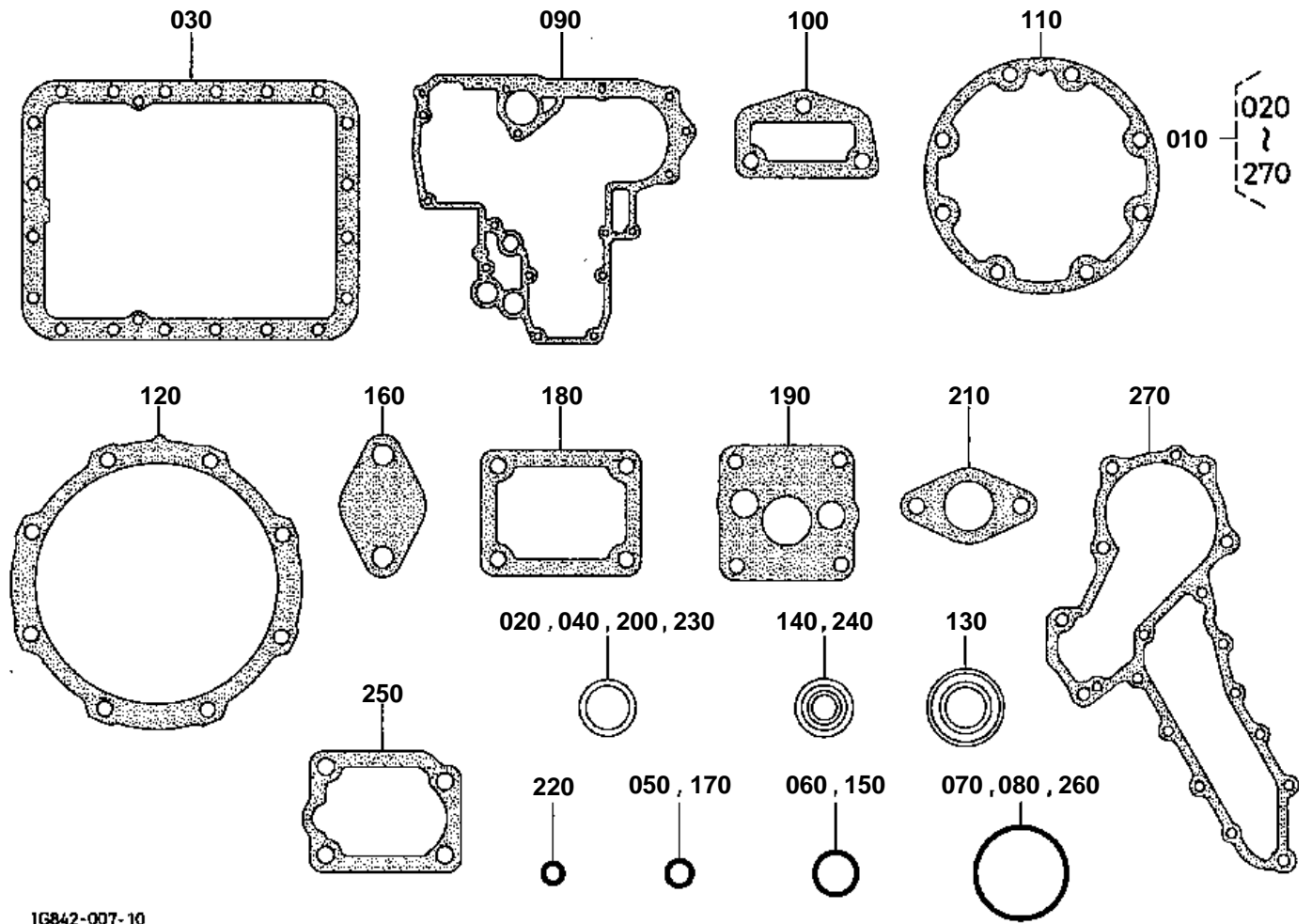


# UPPER GASKET KIT

↔ Interchangeable; ≠ not interchangeable; ← new for old; → old for new

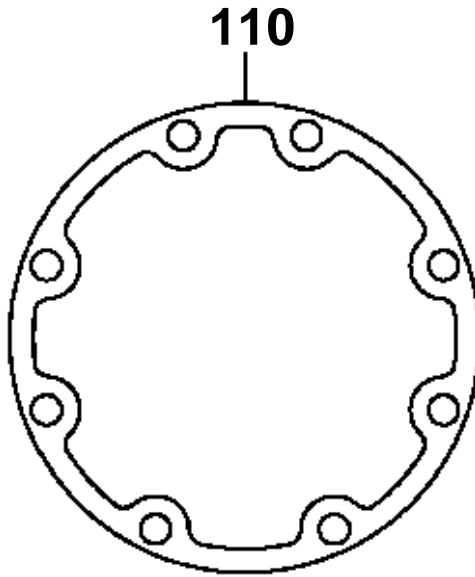
REF.No	Part No.	Description	Q'ty	S.No.	I/C	REMARKS	Weight (kgf)	Weight (lb)
010	1G726-99350	KIT GASKET UPPER	1				0.31	0.682
020	1G720-03310	GASKET CYL.HEAD	1				0.22	0.484
030	1A021-11822	GASKET IN-MANIFOLD	1				0.006	0.0132
040	15221-13150	SEAL VALVE STEM	6	<=3S1926			0.001	0.0022
040	15221-13153	SEAL VALVE STEM	6	>=3U0001	←		0.001	0.0022
050	1A021-14520	GASKET HEAD COVER	1				0.02	0.044
060	1A021-05430	O RING BREATHER	1				0.001	0.0022
070	15841-53622	GASKET	3				0.002	0.0044
080	19077-53650	SEAL HEAT	3				0.005	0.011
090	1A021-72920	GASKET WATER FLANGE	1				0.002	0.0044
100	16221-73270	GASKET THERMOSTAT	1				0.01	0.022
110	1A021-12350	GASKET EX-MANIFOLD	1				0.028	0.0616
120	T0070-16420	GASKET MUFFLER	1				0.016	0.0352

LOWER GASKET KIT



IG842-007-10

# OLD PARTS



1G726-806-10



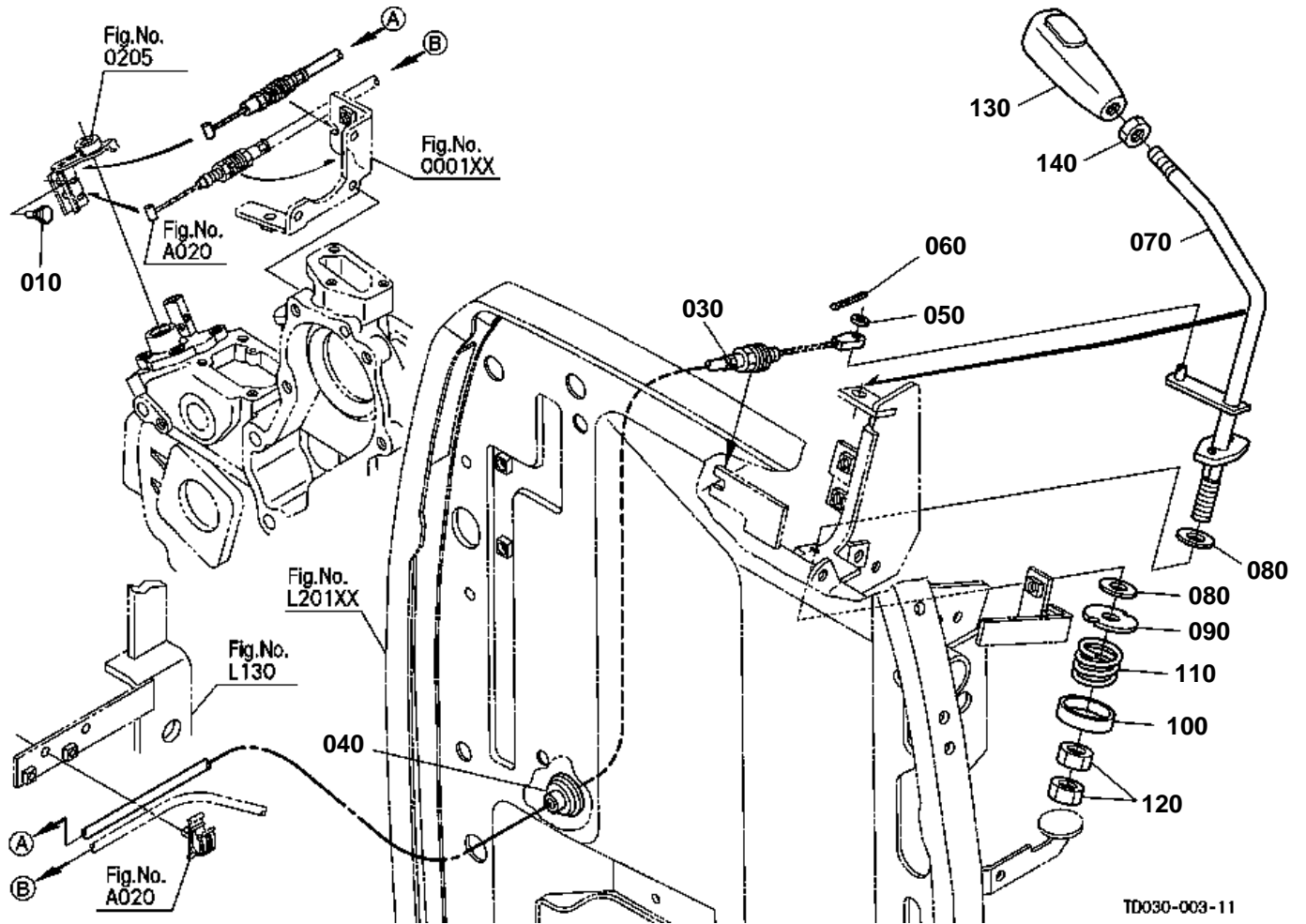
# LOWER GASKET KIT

↔ Interchangeable; ≠ not interchangeable; ← new for old; → old for new

REF.No	Part No.	Description	Q'ty	S.No.	I/C	REMARKS	Weight (kgf)	Weight (lb)
010	1G726-99360	KIT GASKET LOWER	1	<=3N1944			0	0
010	1G726-99363	KIT GASKET LOWER	1	>=3Q0001	←		0.145	0.319
020	15021-33660	GASKET	1				0.001	0.0022
030	1A021-01620	GASKET OIL PAN	1				0.014	0.0308
040	6C090-58960	GASKET	2				0.002	0.0044
050	04817-00150	O RING	4				0.001	0.0022
060	04817-00220	O RING	2				0.001	0.0022
070	04817-00360	O RING	1				0.001	0.0022
080	19202-96830	O RING	1				0.01	0.022
090	1A021-04130	GASKET GEAR CASE	1				0.019	0.0418
100	1A021-73330	GASKET RETURN FLANGE	1				0.001	0.0022
110	19077-04360	GASKET BEARING CASE	1	<=3N1944			0.004	0.0088
110	1A091-04362	GASKET BEARING CASE	1	>=3Q0001	←		0.005	0.011
120	1A091-04820	GASKET CASE COVER	1				0.006	0.0132
130	19202-04460	SEAL OIL	1				0.055	0.121
140	19202-04140	SEAL OIL	1				0.015	0.033
150	04811-10300	O RING	1				0.001	0.0022
160	15521-04790	PACKING COVER	1				0.005	0.011
170	04817-00160	O RING	1				0.001	0.0022
180	1A021-51660	GASKET PUMP COVER	1				0.003	0.0066
190	1A021-35150	GASKET OIL PUMP	1				0.001	0.0022
200	15221-96650	GASKET	2				0.001	0.0022
210	1A021-52140	GASKET FUEL PUMP	1	<=3W1642			0.001	0.0022
210	1G751-52140	GASKET FUEL PUMP	1	>=3Y0001	←		0.001	0.0022
220	04814-00060	O RING	1				0.001	0.0022
230	04724-00140	GASKET	1				0.002	0.0044
240	15471-57980	SEAL OIL	2				0.001	0.0022
250	1A021-57210	GASKET PLATE	2				0.001	0.0022
260	04814-06310	O RING	1				0.002	0.0044
270	1A021-73430	GASKET WATER PUMP	1				0.007	0.0154

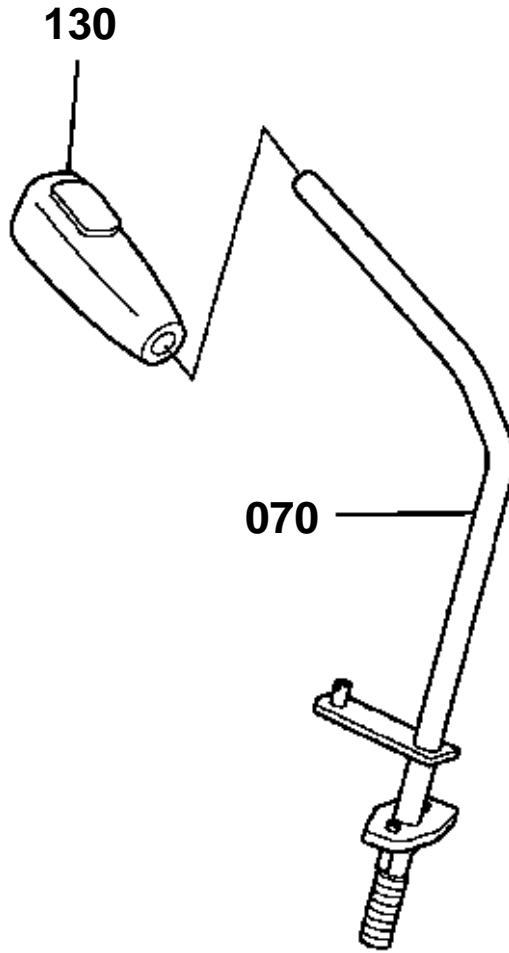


ACCELERATOR LEVER [ROPS TYPE]



TD030-003-11

# OLD PARTS



TD030-813-10



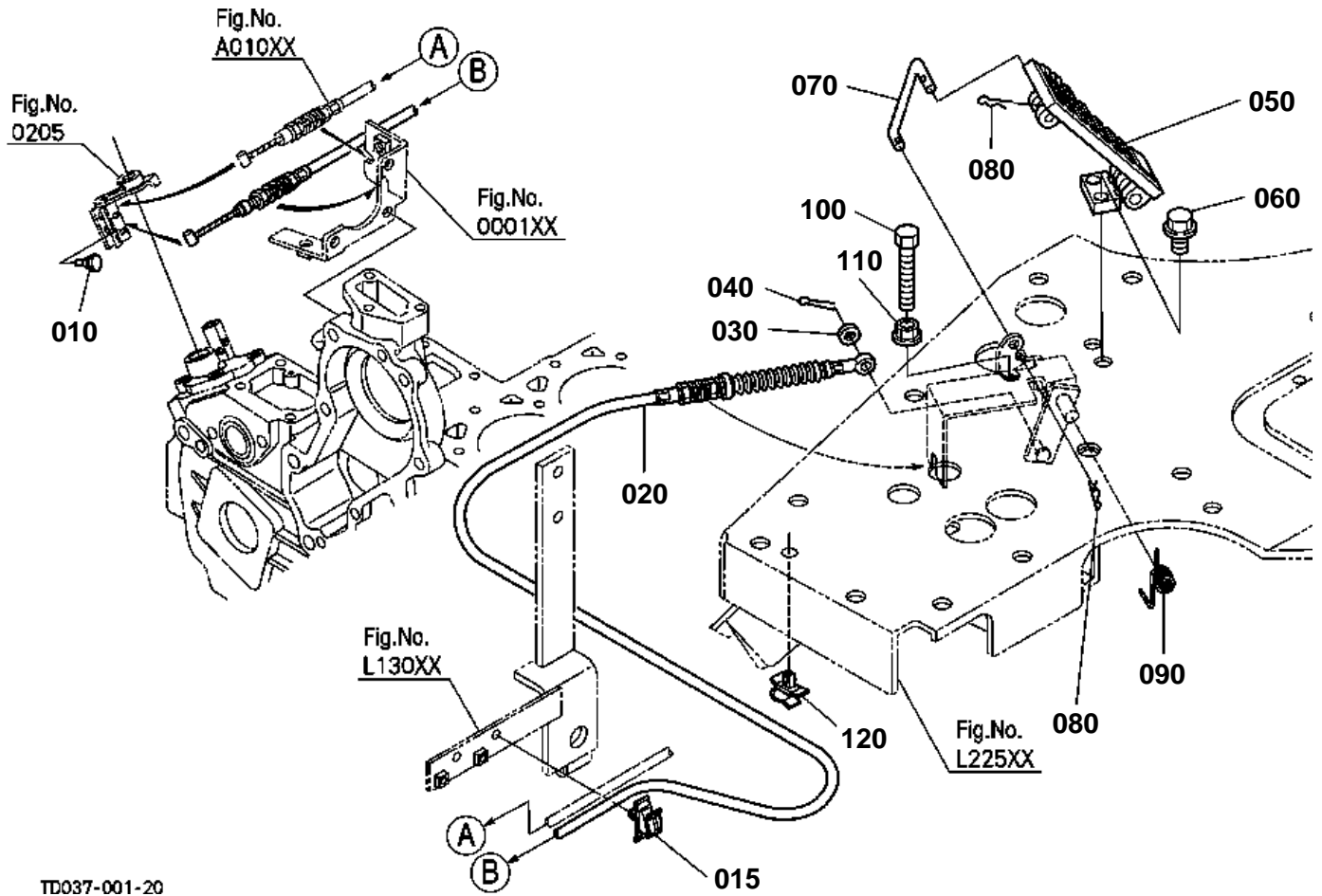
**ACCELERATOR LEVER [ROPS TYPE]**

NOTE:ORDER BY REF.No.070,130 and 140 NEW PART.

↔ Interchangeable; ≠ not interchangeable; ← new for old; → old for new

REF.No	Part No.	Description	Q'ty	S.No.	I/C	REMARKS	Weight (kgf)	Weight (lb)
010	T1060-16690	PLUG	1				0.001	0.0022
020	99999-99999	BLANK	0				0	0
030	T1060-44730	ASSY CABLE ACCELE.	1				0.125	0.275
040	T1065-75290	BOOT	1				0.008	0.0176
050	04012-50060	WASHER PLAIN	1				0.001	0.0022
060	05511-51612	PIN SPLIT	1				0.001	0.0022
070	TD060-42810	SHAFT ACCEL.CONTROL	1	<=41264		NOT SALE SEE NOTE	0.365	0.803
070	TD060-42812	SHAFT ACCEL.CONTROL	1	>=41265	≠		0	0
080	TD060-42870	PLATE FRICTION	2				0.01	0.022
090	T1060-42840	WASHER	1				0.02	0.044
100	33251-10270	CAP SPRING	1				0.01	0.022
110	33251-10320	SPRING ACCEL.LEVER	1				0.012	0.0264
120	02174-50120	NUT	2				0.01	0.022
130	TD060-49870	GRIP	1	<=41264			0.08	0.176
130	TD050-49870	GRIP	1	>=41265	≠		0.06	0.132
140	02116-50100	NUT	1	>=41265			0.004	0.0088

ACCELERATOR PEDAL [EXCEPT HST TYPE]



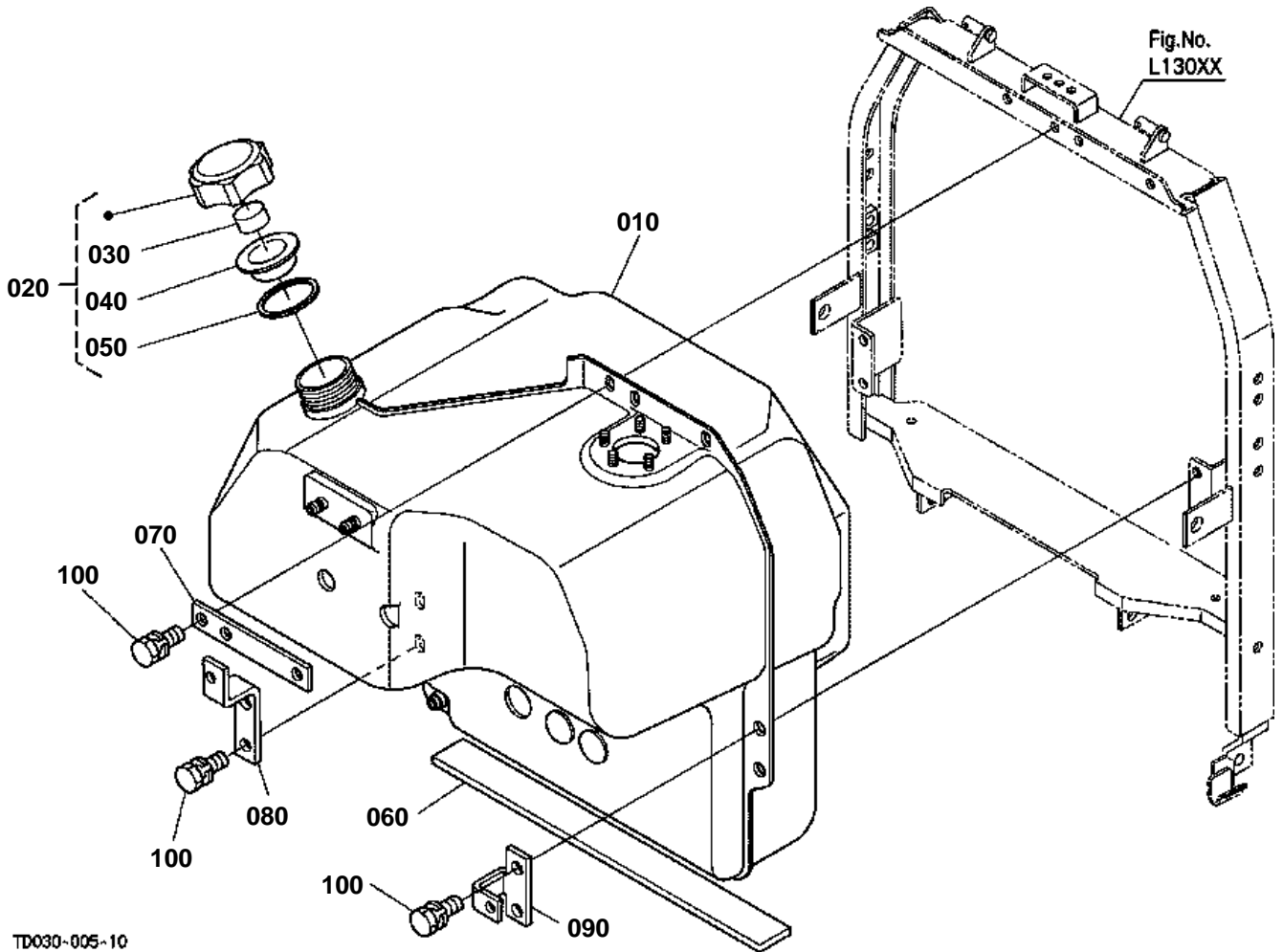
TD037-001-20

**ACCELERATOR PEDAL [EXCEPT HST TYPE]**

↔ Interchangeable; ≠ not interchangeable; ← new for old; → old for new

REF.No	Part No.	Description	Q'ty	S.No.	I/C	REMARKS	Weight (kgf)	Weight (lb)
010	T1060-16690	PLUG	1				0.001	0.0022
015	T1060-44740	CLAMP CORD	1				0.003	0.0066
020	T1060-44752	ASSY CABLE ACCELE.	1				0.13	0.286
030	04012-50060	WASHER PLAIN	1				0.001	0.0022
040	05511-51612	PIN SPLIT	1				0.001	0.0022
050	T1060-47470	ASSY PEDAL ACCEL.	1				0.043	0.0946
060	01754-50820	BOLT FLANGE	2				0.015	0.033
070	T1060-42920	ROD ACCEL.PEDAL	1				0.02	0.044
080	05525-60600	PIN SNAP	2				0.001	0.0022
090	T1060-42930	SPRING	1				0.008	0.0176
100	01155-50850	BOLT	1				0.02	0.044
110	02751-50080	NUT FLANGE	1				0.006	0.0132
120	T1060-44760	CLAMP CORD	1				0.003	0.0066

# FUEL TANK



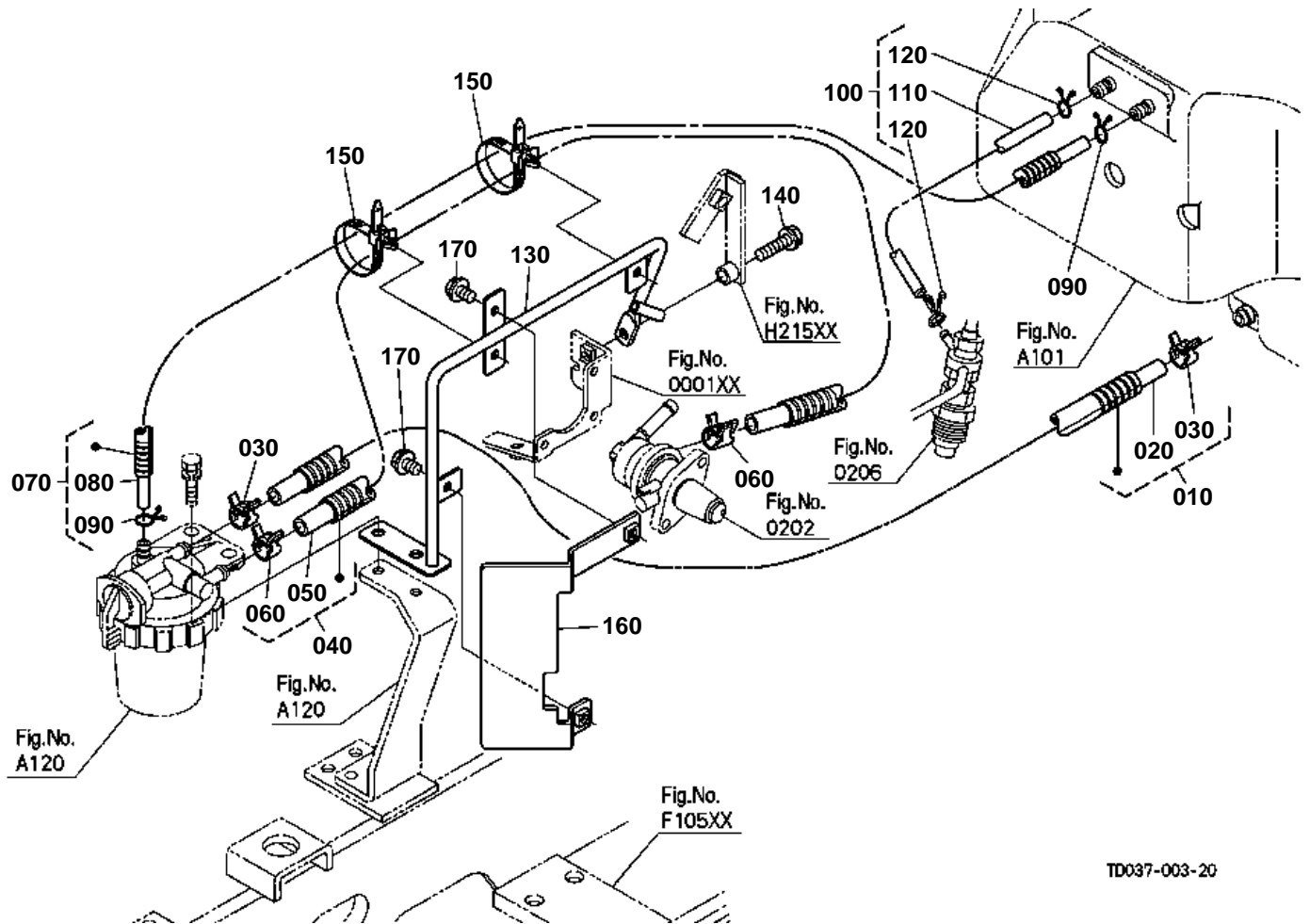
TD030-005-10

**FUEL TANK**

↔ Interchangeable; ≠ not interchangeable; ← new for old; → old for new

REF.No	Part No.	Description	Q'ty	S.No.	I/C	REMARKS	Weight (kgf)	Weight (lb)
010	T1060-42012	TANK FUEL	1				3.55	7.81
020	T1060-42020	ASSY CAP FUEL TANK	1				0.042	0.0924
030	34150-35240	SPONGE	1				0.001	0.0022
040	34150-35230	GASKET	1				0.01	0.022
050	T1060-42090	GASKET	1				0.002	0.0044
060	TD060-42050	CUSHION	1				0.055	0.121
070	T1060-42070	PLATE FUEL TANK	1				0.07	0.154
080	TD050-42080	PLATE FUEL TANK RH	1				0.075	0.165
090	TD050-42090	PLATE FUEL TANK LH	1				0.07	0.154
100	01123-50820	BOLT	6				0.011	0.0242
100	01123-50825	BOLT	6		↔		0.013	0.0286

FUEL PIPE AND FUEL FILTER [ROPS TYPE]



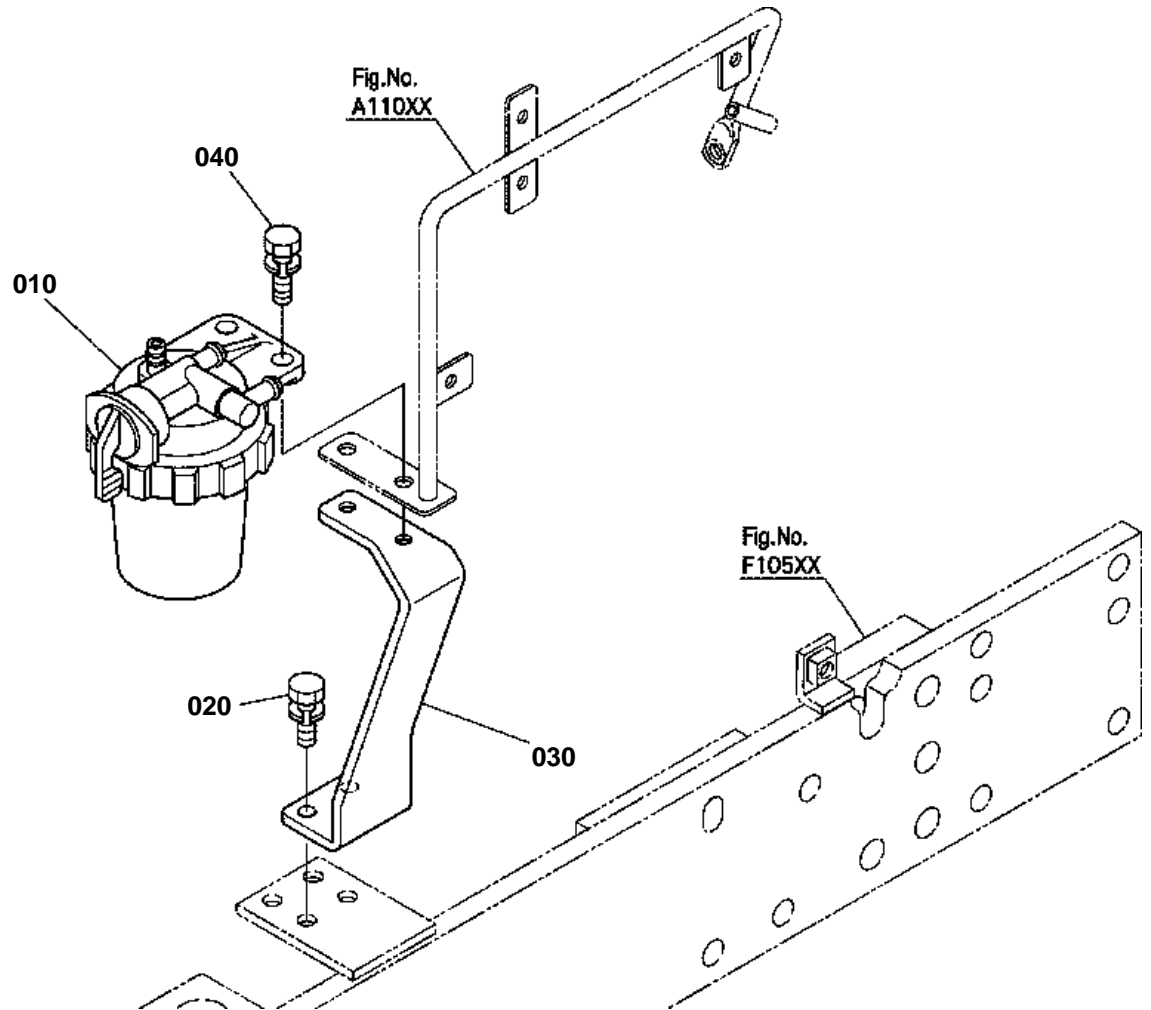
TD037-003-20



**FUEL PIPE AND FUEL FILTER [ROPS TYPE]**

↔ Interchangeable; ≠ not interchangeable; ← new for old; → old for new

REF.No	Part No.	Description	Q'ty	S.No.	I/C	REMARKS	Weight (kgf)	Weight (lb)
010	T1150-42610	ASSY TUBE FUEL	1				0.115	0.253
020	09664-80750	TUBE FUEL	1				0.09	0.198
030	09318-88125	CLAMP HOSE	2				0.001	0.0022
040	T1060-42620	ASSY TUBE FUEL	1				0.1	0.22
050	09664-80650	TUBE FUEL	1				0.08	0.176
060	09318-88125	CLAMP HOSE	2				0.001	0.0022
070	T1060-42640	ASSY TUBE FUEL	1				0.054	0.1188
080	09661-40750	TUBE FUEL	1				0.04	0.088
090	14971-42750	CLIP PIPE	2				0.001	0.0022
100	T0070-42642	ASSY TUBE FUEL	1				0.04	0.088
110	09661-40600	TUBE FUEL	1				0.03	0.066
120	14971-42750	CLIP PIPE	2				0.001	0.0022
130	TD060-14410	SUPPORT	1				0.3	0.66
140	01754-50830	BOLT FLANGE	1				0.05	0.11
150	T1060-30150	CLAMP	2				0.002	0.0044
160	TD060-14420	PLATE LOUVER	1	>=30116			0.14	0.308
170	01754-50612	BOLT FLANGE	2	>=30116			0.005	0.011



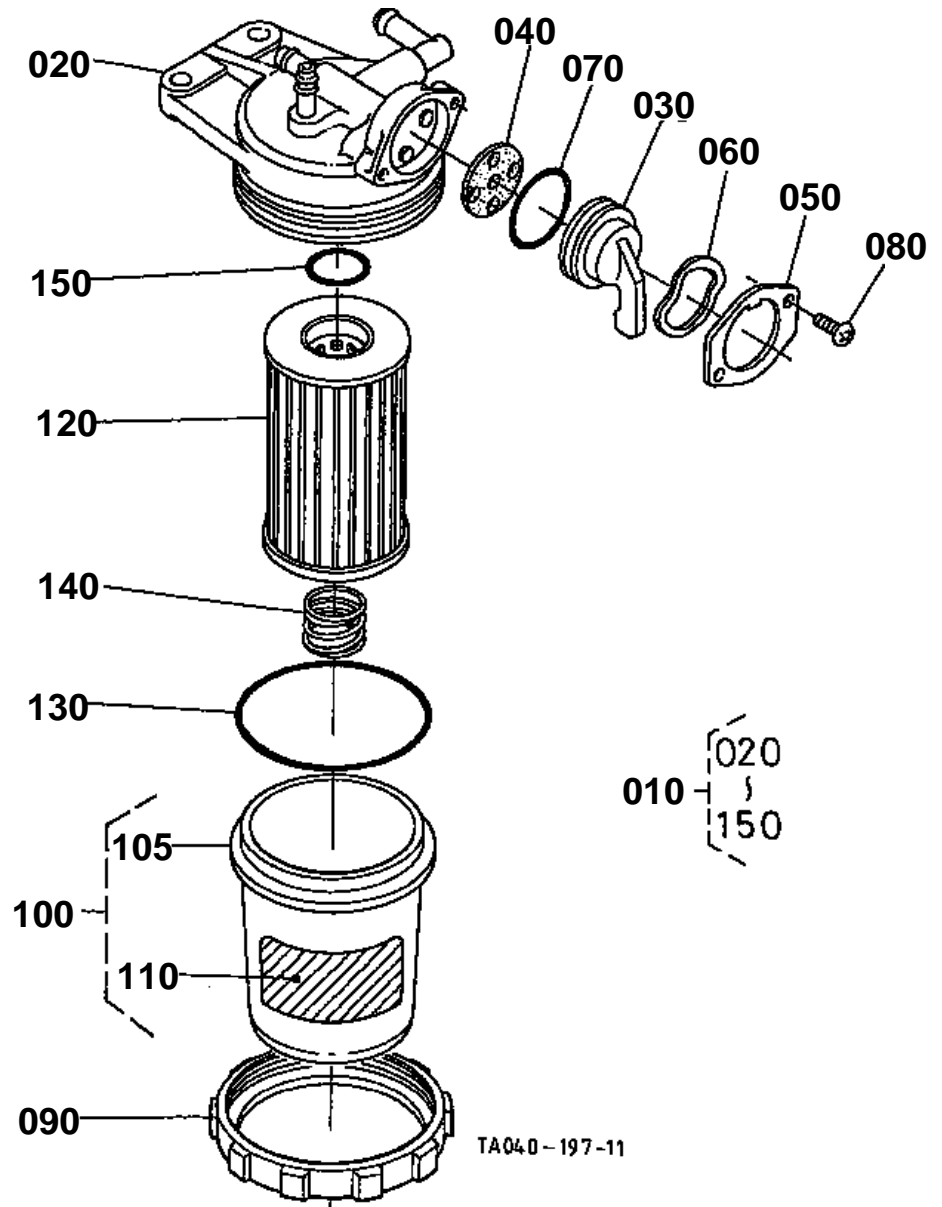
TD030-007-10

**FUEL FILTER**

↔ Interchangeable; ≠ not interchangeable; ← new for old; → old for new

REF.No	Part No.	Description	Q'ty	S.No.	I/C	REMARKS	Weight (kgf)	Weight (lb)
010	15521-43015	ASSY FILTER FUEL	1				0.59	1.298
020	01123-50825	BOLT	2				0.013	0.0286
030	TD060-16560	BRACKET FILTER	1				0.44	0.968
040	01123-50830	BOLT	2				0.015	0.033

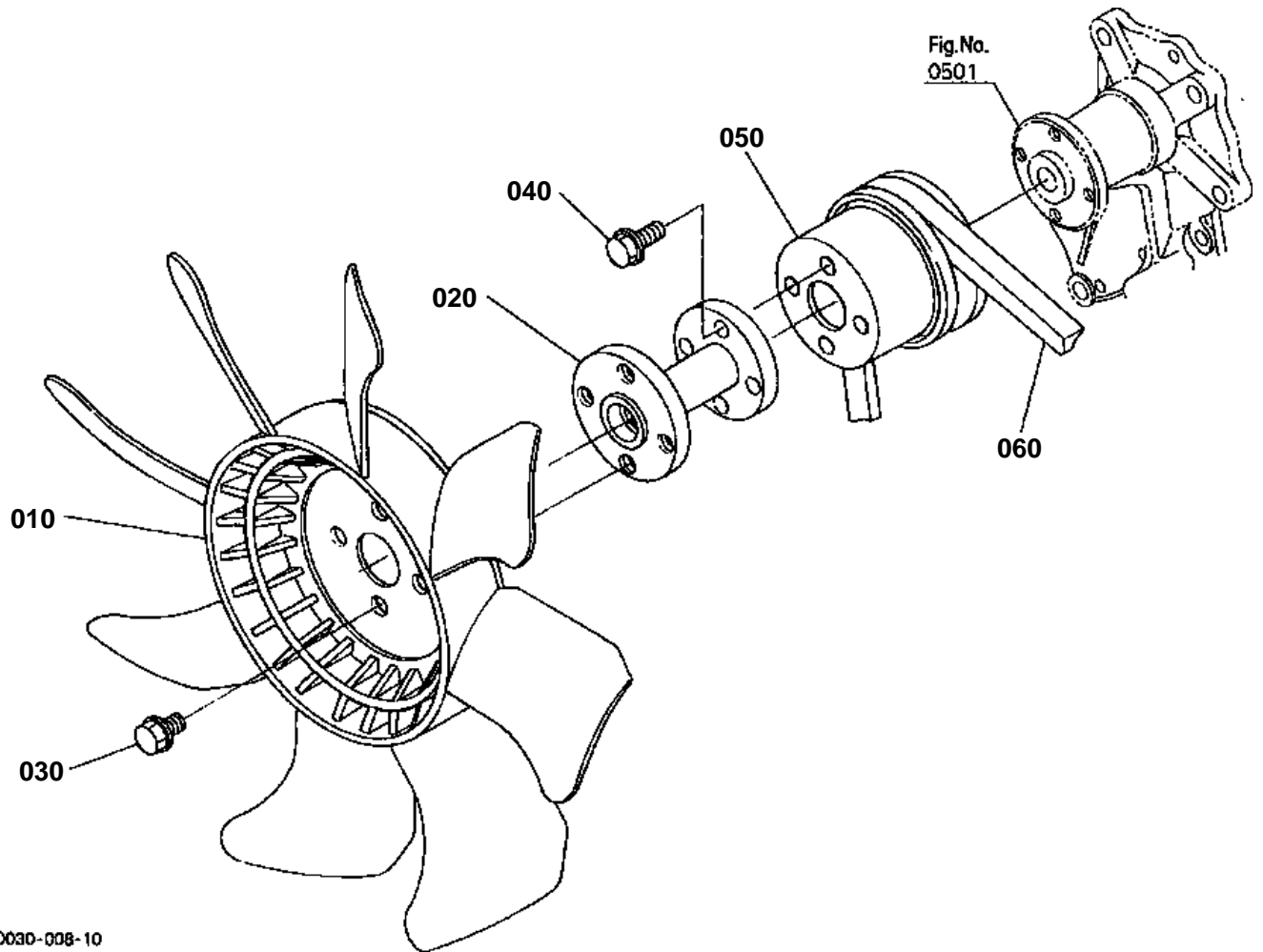
FUEL FILTER [COMPONENT PARTS]



**FUEL FILTER [COMPONENT PARTS]**

↔ Interchangeable; ≠ not interchangeable; ← new for old; → old for new

REF.No	Part No.	Description	Q'ty	S.No.	I/C	REMARKS	Weight (kgf)	Weight (lb)
010	15521-43015	ASSY FILTER FUEL	1				0.59	1.298
020	15521-43114	ASSY BODY	1				0.235	0.517
030	15521-43522	HANDLE FILTER	1				0.04	0.088
040	15521-43672	GASKET	1				0.001	0.0022
050	15521-43552	RETAINER HANDLE	1				0.01	0.022
060	15521-43542	PLATE THRUST	1				0.001	0.0022
070	04811-10290	O RING	1				0.001	0.0022
080	03054-50308	SCREW PAN-HEAD	2				0.005	0.011
090	15521-43150	RING RETAINER	1				0.14	0.308
100	15521-43100	ASSY CUP FILTER	1				0.05	0.11
105	15521-43130	CUP FILTER	1				0.1	0.22
110	16873-88430	LABEL FUEL	1				0.001	0.0022
120	15521-43160	ELEMENT FILTER	1				0.07	0.154
130	04811-50650	O RING	1				0.002	0.0044
140	15521-43930	SPRING	1				0.004	0.0088
150	04816-00160	O RING	1				0.003	0.0066

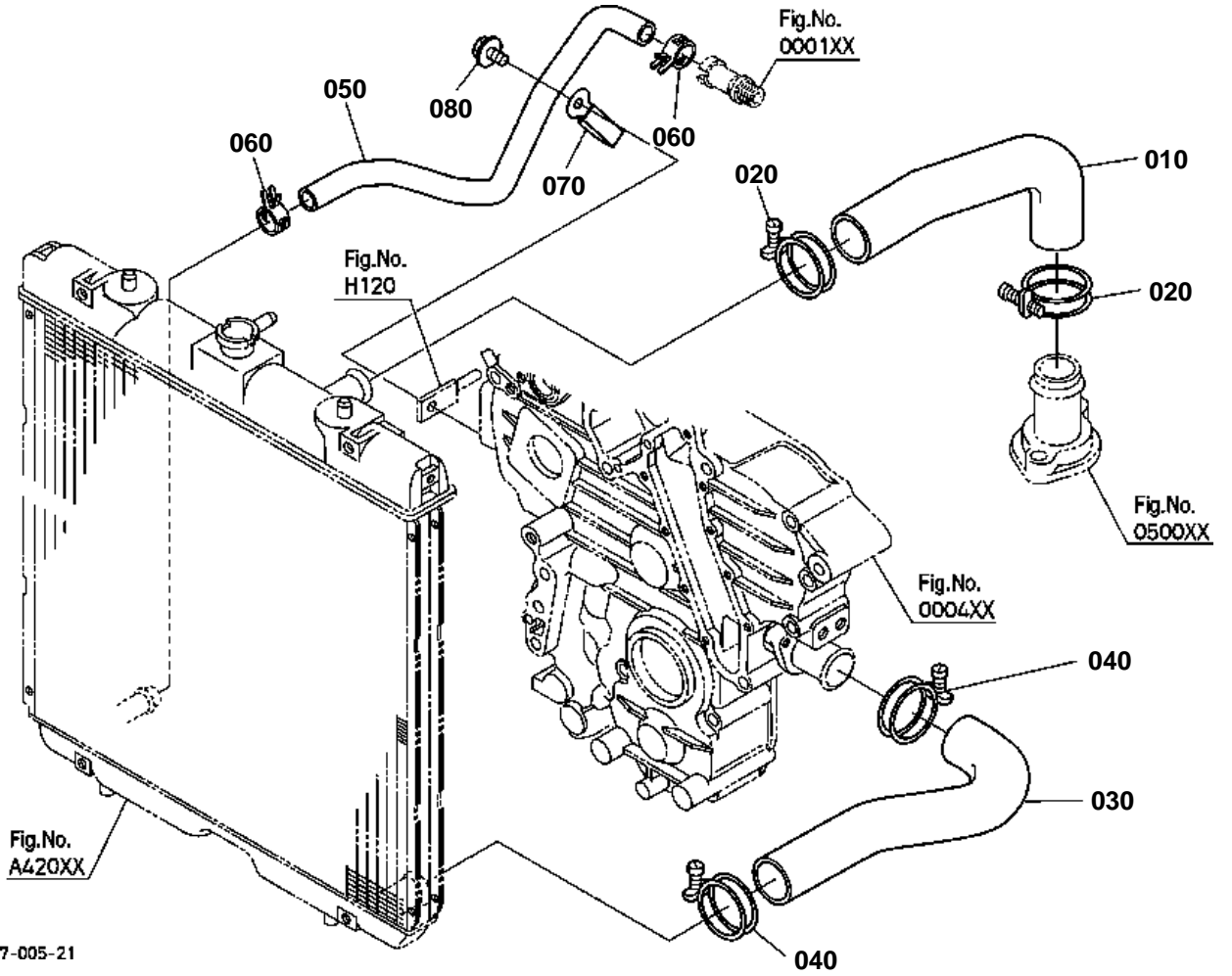


**FAN**

↔ Interchangeable; ≠ not interchangeable; ← new for old; → old for new

REF.No	Part No.	Description	Q'ty	S.No.	I/C	REMARKS	Weight (kgf)	Weight (lb)
010	34550-16210	FAN	1				1.19	2.618
020	34550-16222	FLANGE FAN	1				0.25	0.55
030	01754-50816	BOLT FLANGE	4				0.011	0.0242
040	01754-50625	BOLT FLANGE	4				0.008	0.0176
050	15471-74250	PULLEY FAN	1			ROPS TYPE	0.3	0.66
060	15469-97010	V BELT A	1				0.095	0.209

WATER PIPE



TD037-005-21



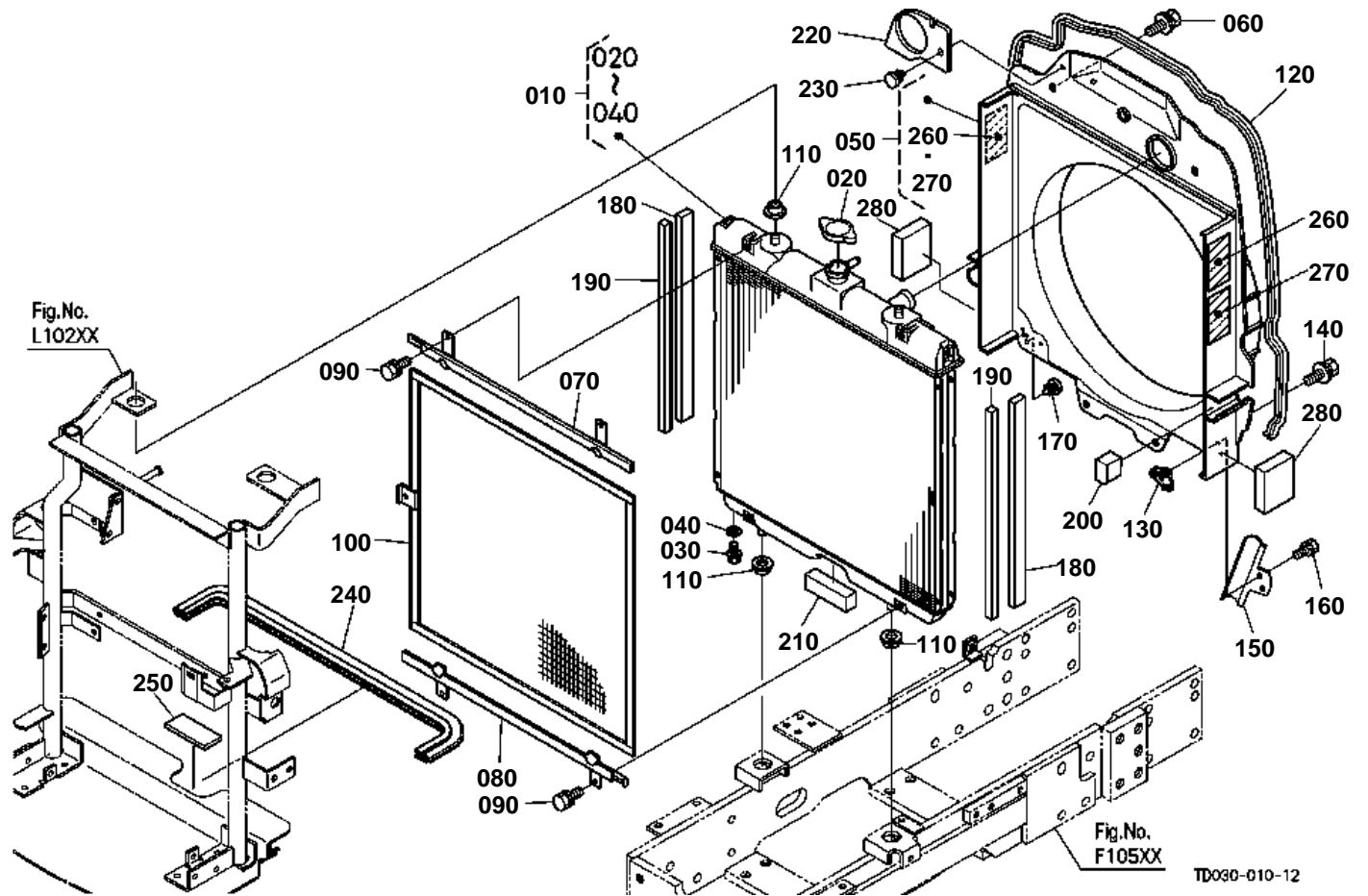


# WATER PIPE

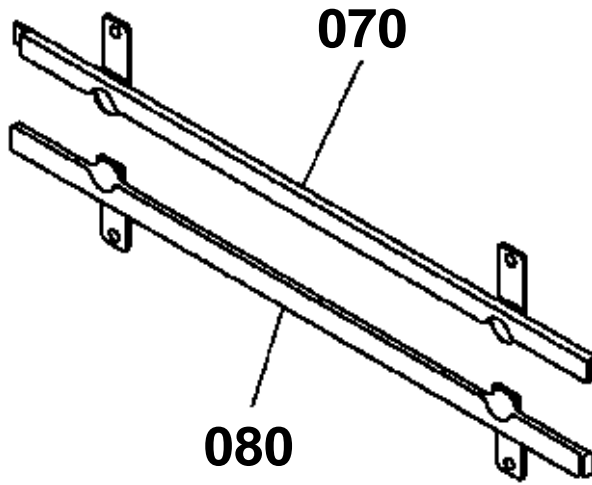
↔ Interchangeable; ≠ not interchangeable; ← new for old; → old for new

REF.No	Part No.	Description	Q'ty	S.No.	I/C	REMARKS	Weight (kgf)	Weight (lb)
010	T1060-16123	HOSE	1				0.245	0.539
020	15108-72870	BAND	2				0.027	0.0594
030	T1060-16140	HOSE	1				0.255	0.561
040	15108-72870	BAND	2				0.027	0.0594
050	T1060-16160	HOSE DRAIN	1				0.095	0.209
060	09318-88185	CLAMP HOSE	2				0.004	0.0088
070	13824-67580	CLAMP CORD	1				0.006	0.0132
080	01754-50608	BOLT FLANGE	1				0.005	0.011

RADIATOR [EXCEPT HST TYPE] [ROPS TYPE]



# OLD PARTS



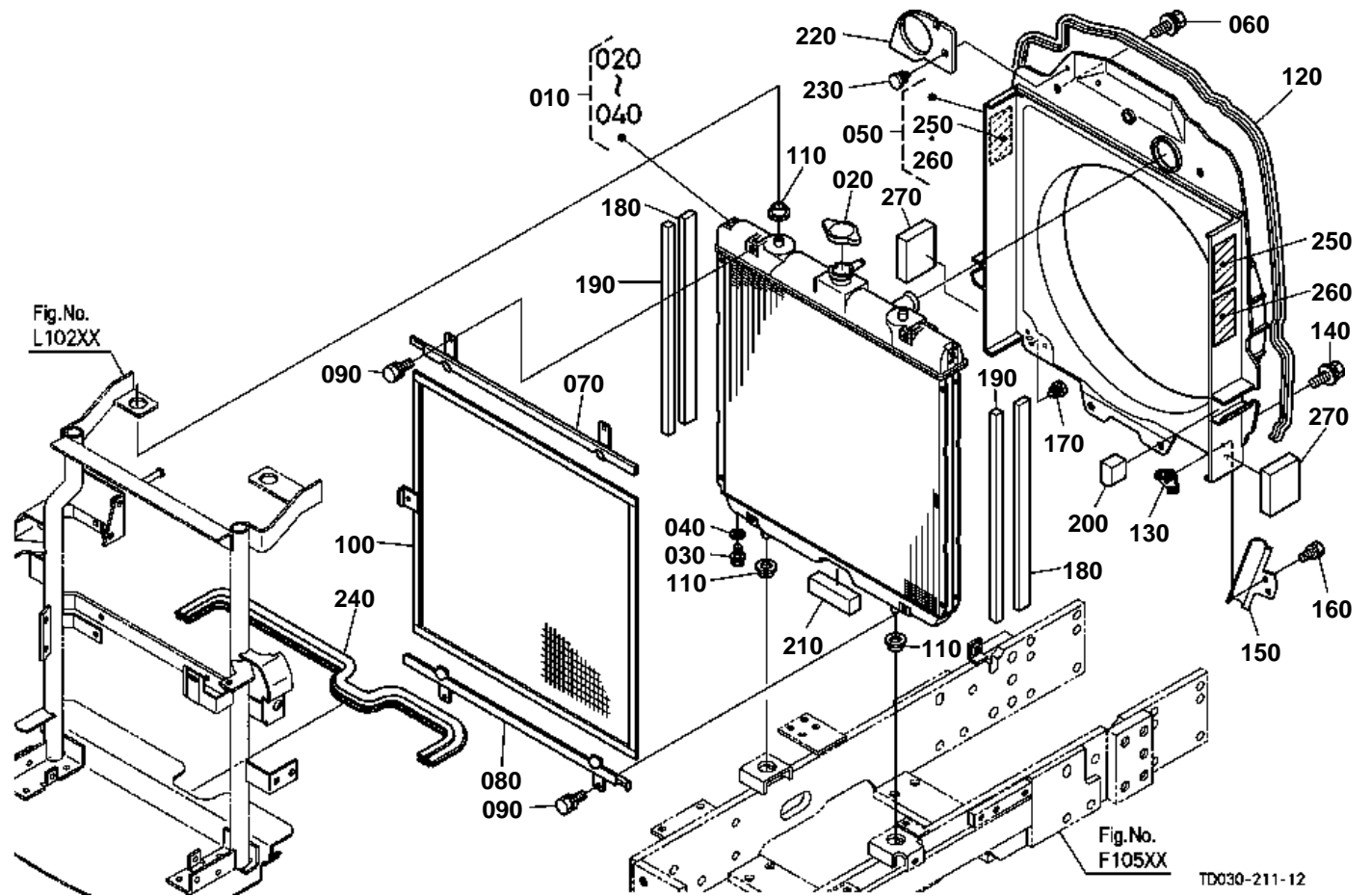
TD052-806-10

**RADIATOR [EXCEPT HST TYPE] [ROPS TYPE]**

↔ Interchangeable; ≠ not interchangeable; ← new for old; → old for new

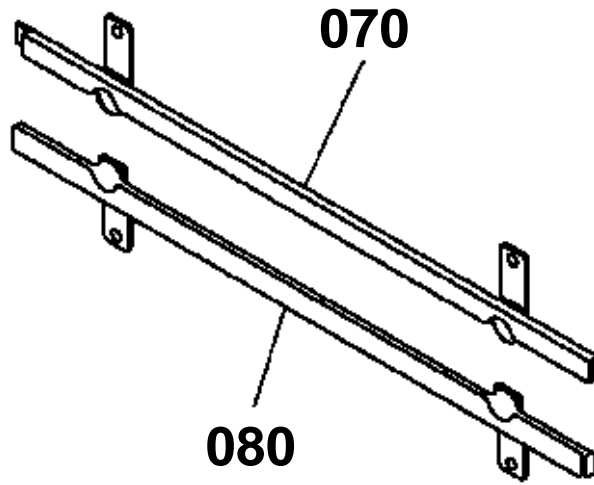
REF.No	Part No.	Description	Q'ty	S.No.	I/C	REMARKS	Weight (kgf)	Weight (lb)
010	T1060-16010	RADIATOR	1				3.1	6.82
020	17580-16060	CAP RADIATOR	1				0.04	0.088
030	16504-73220	PLUG DRAIN	1				0	0
030	T1060-16070	PLUG DRAIN	1		↔		0.004	0.0088
040	15231-96690	GASKET	1				0.001	0.0022
050	TD050-99620	KIT SHROUD	1				1.04	2.288
060	01027-50616	BOLT	4				0.01	0.022
070	TD060-16040	GUIDE NET	1	<=44203			0.14	0.308
070	TD060-16042	GUIDE NET	1	>=44204	←		0.14	0.308
080	TD060-16050	GUIDE NET	1	<=44203			0.14	0.308
080	TD060-16052	GUIDE NET	1	>=44204	←		0.14	0.308
090	01023-50612	BOLT	4				0.005	0.011
100	TD050-16260	NET RADIATOR	1				0.4	0.88
110	34070-16030	RUBBER	4				0.015	0.033
120	T1060-16030	SHIELD	1				0.225	0.495
130	T1060-16310	PLATE	1				0.022	0.0484
140	01027-50616	BOLT	1				0.01	0.022
150	T1060-16290	PLATE	1				0.06	0.132
160	01023-50625	BOLT	2				0.007	0.0154
170	87200-51270	STOPPER	2				0.001	0.0022
170	T2050-41490	FASTENER	2		↔		0.001	0.0022
180	T1060-40670	SPONGE	2				0.008	0.0176
190	TD050-40660	SPONGE	2	<=35196			0.01	0.022
190	TD020-40660	SPONGE	2	>=35197	←		0.006	0.0132
200	T1060-16170	SPONGE	2				0.004	0.0088
210	TD060-40692	SPONGE	1				0.003	0.0066
220	T1060-16390	SHIELD	1				0.038	0.0836
230	87200-51270	STOPPER	1				0.001	0.0022
230	T2050-41490	FASTENER	1		↔		0.001	0.0022
240	T1060-42330	SHIELD	1				0.08	0.176
250	TD060-40060	CUSHION FRONT PILLAR	1				0.04	0.088
260	32751-49580	LABEL FAN BELT	2				0.001	0.0022
270	TC030-49580	LABEL MUFFLER	1				0.001	0.0022
280	TD050-16170	SPONGE	2	>=30881			0.004	0.0088

RADIATOR [HST TYPE] [ROPS TYPE]



TD030-211-12

# OLD PARTS



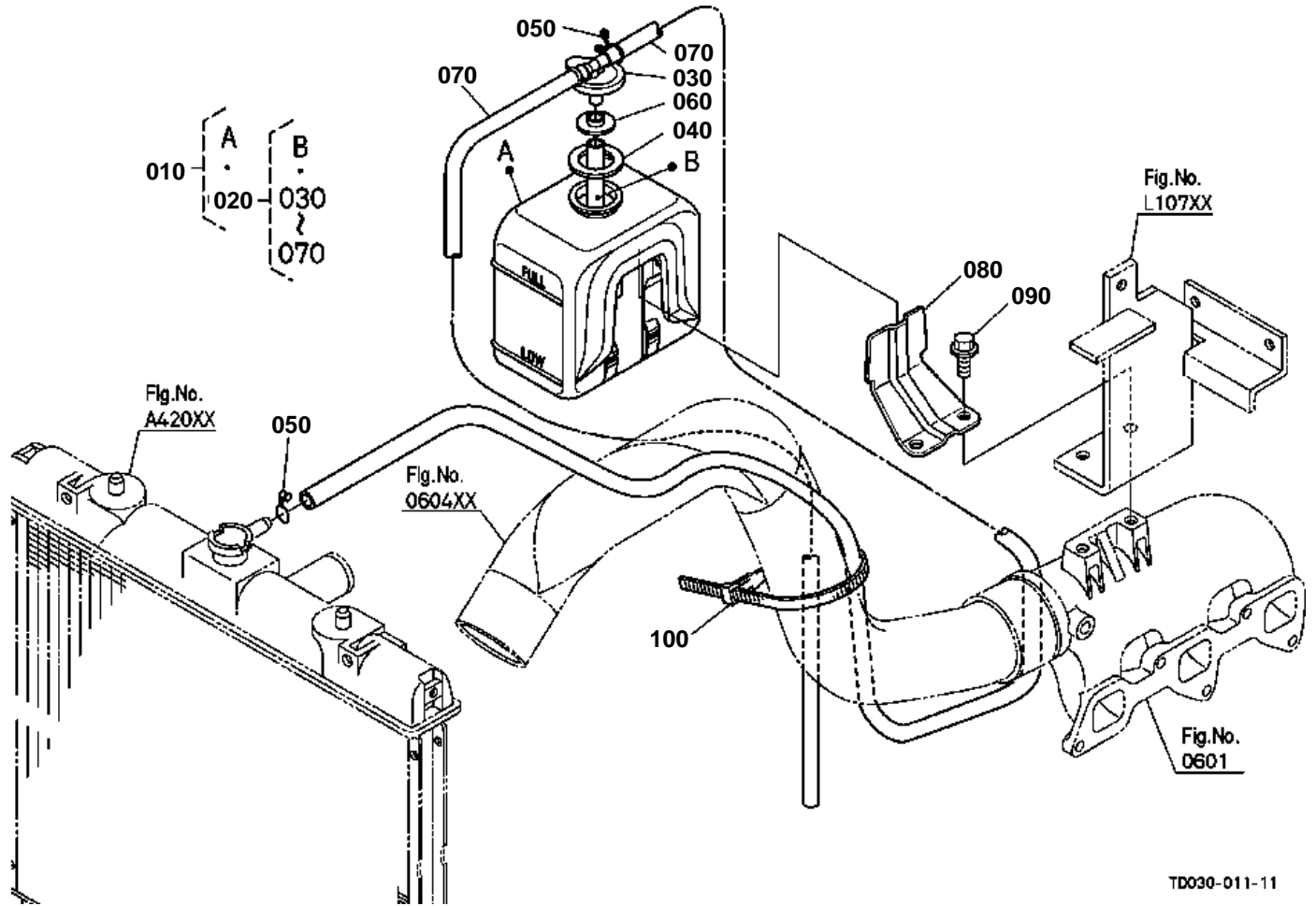
TD052-806-10



RADIATOR [HST TYPE] [ROPS TYPE]

↔ Interchangeable; ≠ not interchangeable; ← new for old; → old for new

REF.No	Part No.	Description	Q'ty	S.No.	I/C	REMARKS	Weight (kgf)	Weight (lb)
010	T1060-16010	RADIATOR	1				3.1	6.82
020	17580-16060	CAP RADIATOR	1				0.04	0.088
030	16504-73220	PLUG DRAIN	1				0	0
030	T1060-16070	PLUG DRAIN	1		↔		0.004	0.0088
040	15231-96690	GASKET	1				0.001	0.0022
050	TD050-99620	KIT SHROUD	1				1.04	2.288
060	01027-50616	BOLT	4				0.01	0.022
070	TD060-16040	GUIDE NET	1	<=44203			0.14	0.308
070	TD060-16042	GUIDE NET	1	>=44204	←		0.14	0.308
080	TD060-16050	GUIDE NET	1	<=44203			0.14	0.308
080	TD060-16052	GUIDE NET	1	>=44204	←		0.14	0.308
090	01023-50612	BOLT	4				0.005	0.011
100	TD050-16260	NET RADIATOR	1				0.4	0.88
110	34070-16030	RUBBER	4				0.015	0.033
120	T1060-16030	SHIELD	1				0.225	0.495
130	T1060-16310	PLATE	1				0.022	0.0484
140	01027-50616	BOLT	1				0.01	0.022
150	T1060-16290	PLATE	1				0.06	0.132
160	01023-50625	BOLT	2				0.007	0.0154
170	87200-51270	STOPPER	2				0.001	0.0022
170	T2050-41490	FASTENER	2		↔		0.001	0.0022
180	T1060-40670	SPONGE	2				0.008	0.0176
190	TD050-40660	SPONGE	2	<=35196			0.01	0.022
190	TD020-40660	SPONGE	2	>=35197	←		0.006	0.0132
200	T1060-16170	SPONGE	2				0.004	0.0088
210	TD060-40692	SPONGE	1				0.003	0.0066
220	T1060-16390	SHIELD	1				0.038	0.0836
230	87200-51270	STOPPER	1				0.001	0.0022
230	T2050-41490	FASTENER	1		↔		0.001	0.0022
240	T0180-42330	SHIELD	1				0.085	0.187
250	32751-49580	LABEL FAN BELT	2				0.001	0.0022
260	TC030-49580	LABEL MUFFLER	1				0.001	0.0022
270	TD050-16170	SPONGE	2	>=30881			0.004	0.0088



TD030-011-11



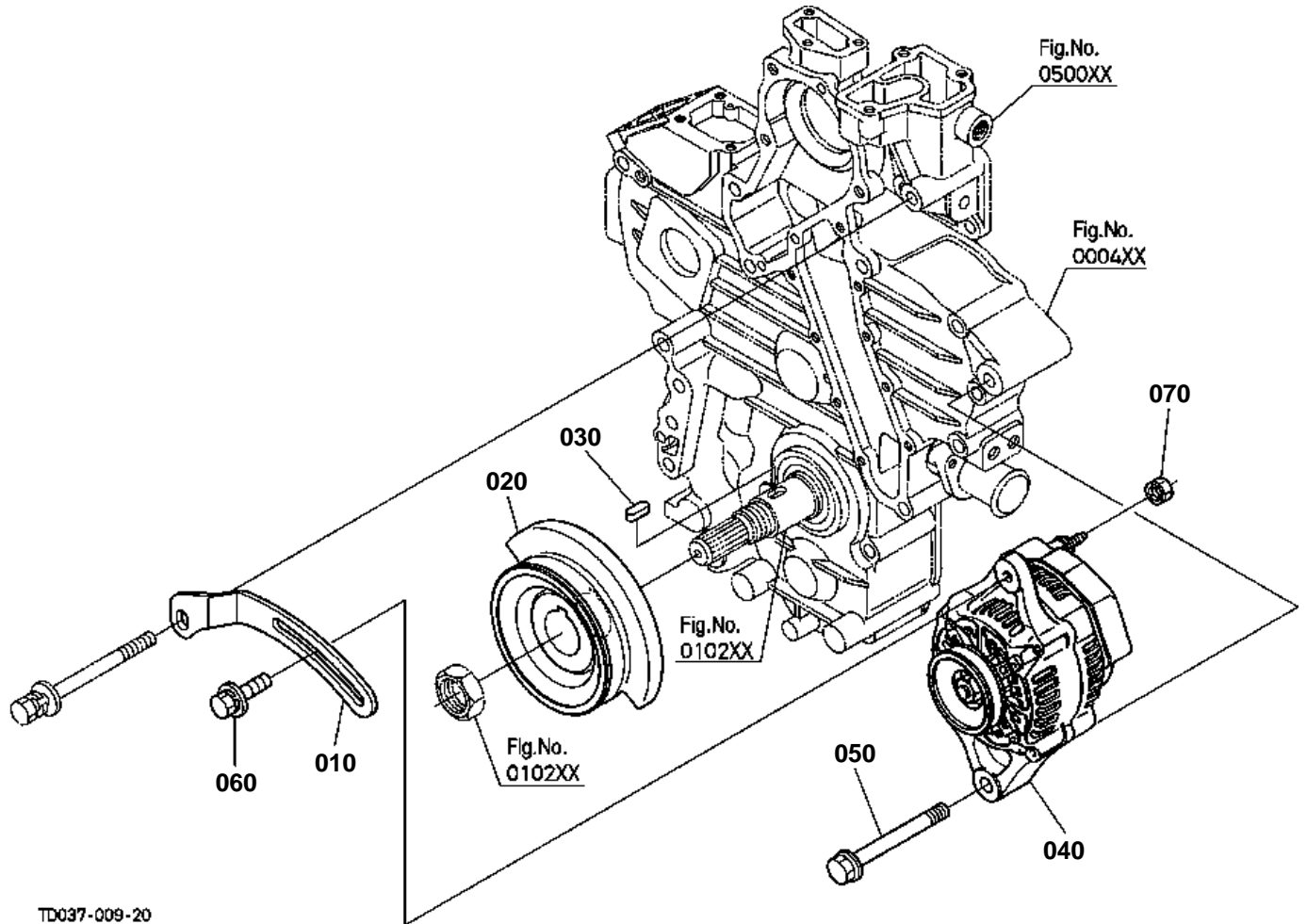


## RESERVE TANK [ROPS TYPE]

↔ Interchangeable; ≠ not interchangeable; ← new for old; → old for new

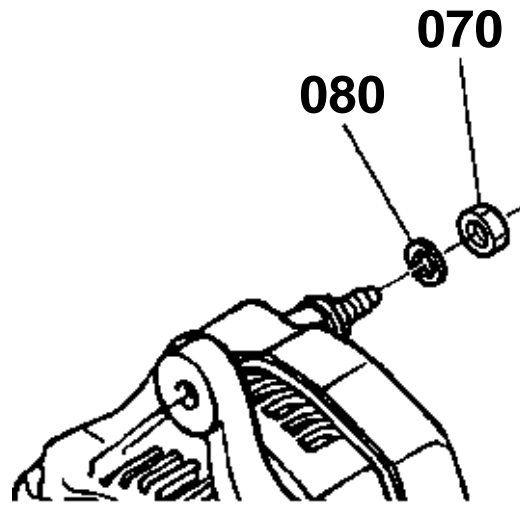
REF.No	Part No.	Description	Q'ty	S.No.	I/C	REMARKS	Weight (kgf)	Weight (lb)
010	T1150-16700	ASSY TANK RESERVE	1				0.41	0.902
020	T1150-17290	ASSY CAP	1				0.185	0.407
030	15531-72422	CAP	1				0.001	0.0022
040	15531-72432	GASKET	1				0.002	0.0044
050	15501-72470	CLIP PIPE	2				0.005	0.011
060	3G704-17390	PLATE	1				0.001	0.0022
070	3G700-17320	HOSE	2				0.08	0.176
080	T1060-16710	STAY RESERVE TANK	1				0.15	0.33
090	01754-50820	BOLT FLANGE	2				0.015	0.033
100	55311-41260	BAND CORD	1				0.007	0.0154

ALTERNATOR



TD037-009-20

# OLD PARTS



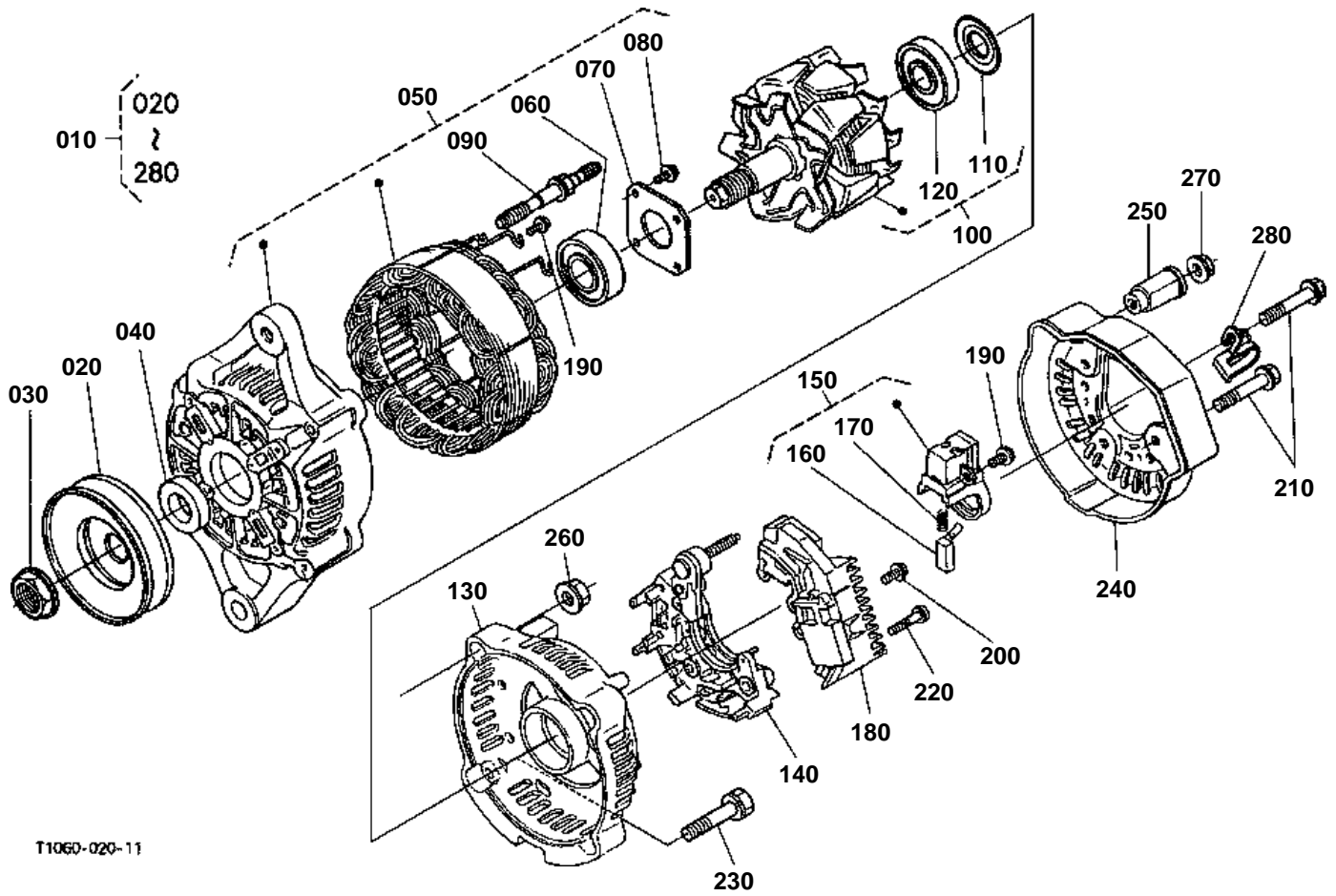
TD052-800-10

**ALTERNATOR**

↔ Interchangeable; ≠ not interchangeable; ← new for old; → old for new

REF.No	Part No.	Description	Q'ty	S.No.	I/C	REMARKS	Weight (kgf)	Weight (lb)
010	1A033-64420	STAY DYNAMO	1				0.135	0.297
020	1A051-74280	PULLEY FAN DRIVE	1				1.39	3.058
030	05712-00720	KEY FEATHER	1				0.008	0.0176
040	T1060-15680	ASSY ALTERNATOR	1				3.05	6.71
050	01754-51070	BOLT FLANGE	1				0.01	0.022
060	01127-50830	BOLT	1				0.023	0.0506
070	02056-50060	NUT	1	<=42572			0.002	0.0044
070	12264-92020	NUT	1	>=42573	←		0.05	0.11
080	04512-60060	WASHER SPRING	1	<=42572			0.001	0.0022

ALTERNATOR [COMPONENT PARTS] [ROPS TYPE]





## ALTERNATOR [COMPONENT PARTS] [ROPS TYPE]

↔ Interchangeable; ≠ not interchangeable; ← new for old; → old for new

REF.No	Part No.	Description	Q'ty	S.No.	I/C	REMARKS	Weight (kgf)	Weight (lb)
010	T1060-15680	ASSY ALTERNATOR	1				3.05	6.71
020	16427-64110	PULLEY ALTERNATOR	1				0.2	0.44
030	15881-92010	NUT	1				0.02	0.044
040	15881-64150	COLLAR	1				0.004	0.0088
050	66436-64020	ASSY FRAME DRIVE END	1				1.11	2.442
060	16652-64780	BEARING BALL	1				0.05	0.11
070	15881-64710	PLATE RETAINER	1				0.01	0.022
080	15881-93010	SCREW ROUND HEAD	4				0.003	0.0066
090	15881-64260	BOLT THROUGH	2				0.01	0.022
100	66436-64040	ROTOR	1				1.2	2.64
110	15881-64800	COVER BEARING	1				0.001	0.0022
120	16652-64770	BEARING BALL	1				0.045	0.099
130	16241-64060	FRAME END	1				0.2	0.44
140	16241-64850	ASSY RECTIFIER	1				0	0
140	16231-64850	ASSY RECTIFIER	1		↔		0.18	0.396
150	16652-64310	HOLDER BRUSH	1				0.025	0.055
160	15881-64090	BRUSH	2				0.002	0.0044
170	15881-64330	SPRING BRUSH	2				0.002	0.0044
180	66436-64600	ASSY REGULATOR	1				0.08	0.176
190	15881-93030	SCREW ROUND HEAD	6				0.003	0.0066
200	15881-93040	SCREW ROUND HEAD	1				0.003	0.0066
210	15881-91040	BOLT	3				0.005	0.011
220	15881-93020	SCREW ROUND HEAD	2				0.005	0.011
230	15881-91050	BOLT	2				0.01	0.022
240	16231-64230	COVER END	1				0.035	0.077
250	16241-64900	BUSH INSULATION	1				0.007	0.0154
260	15881-92020	NUT	2				0.02	0.044
270	14182-92030	NUT	1				0.003	0.0066
280	17369-67570	CLAMP CORD	1				0.001	0.0022

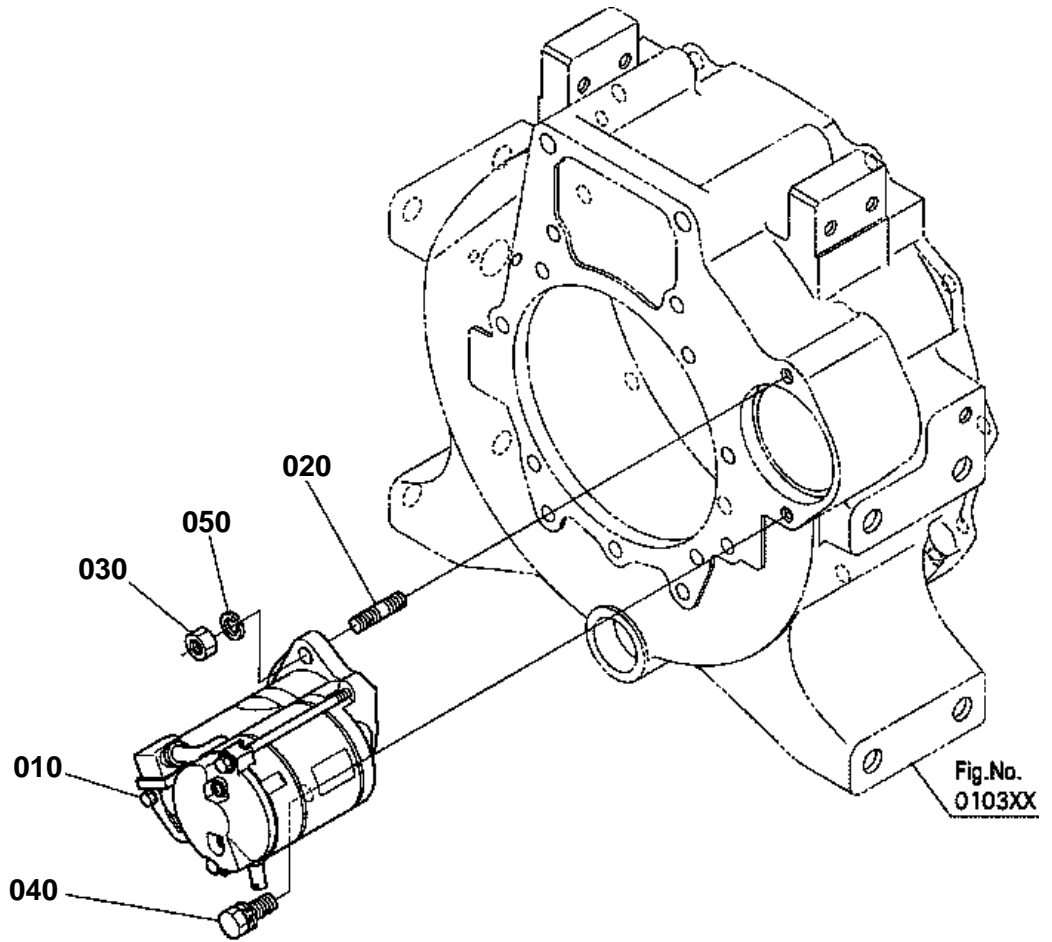


Fig.No.  
0103XX

TD020-008-10



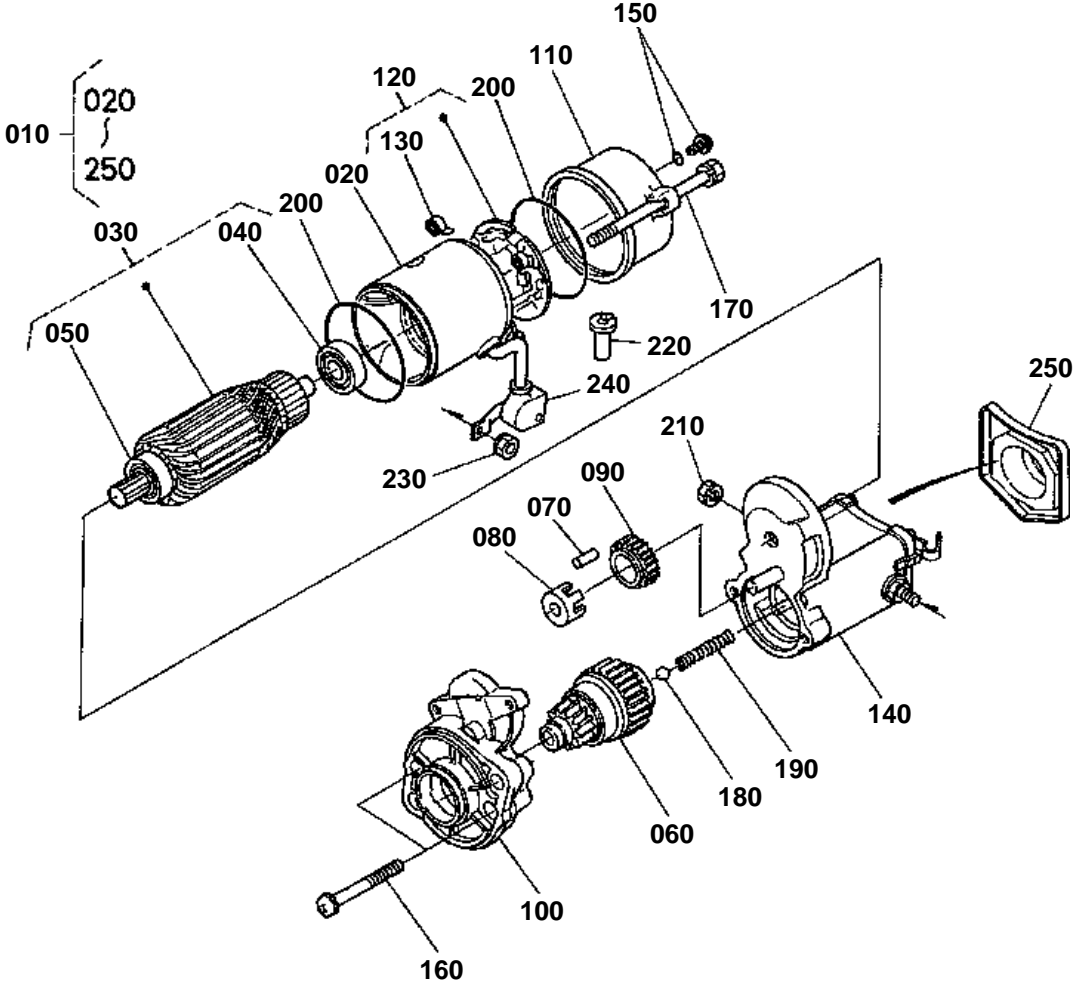
# STARTER

↔ Interchangeable; ≠ not interchangeable; ← new for old; → old for new

REF.No	Part No.	Description	Q'ty	S.No.	I/C	REMARKS	Weight (kgf)	Weight (lb)
010	34070-16800	ASSY STARTER	1				3.4	7.48
020	01517-51028	STUD	1				0.022	0.0484
030	02176-50100	NUT	1				0.005	0.011
040	01133-51030	BOLT	1				0.025	0.055
050	04512-60100	WASHER SPRING	1				0.002	0.0044



STARTER [COMPONENT PARTS]

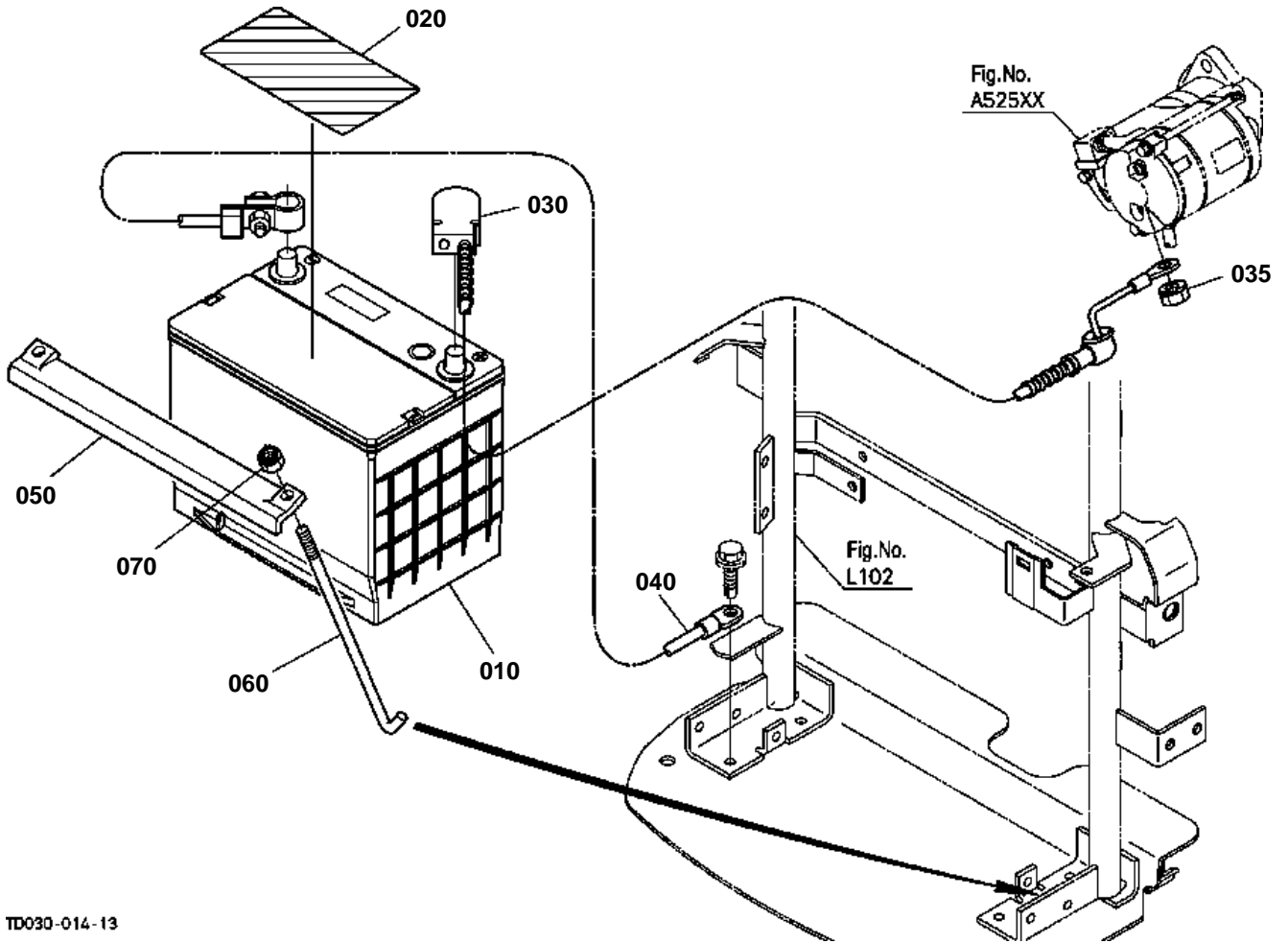


34070-008-15

**STARTER [COMPONENT PARTS]**

↔ Interchangeable; ≠ not interchangeable; ← new for old; → old for new

REF.No	Part No.	Description	Q'ty	S.No.	I/C	REMARKS	Weight (kgf)	Weight (lb)
010	34070-16800	ASSY STARTER	1				3.4	7.48
020	11460-63080	YOKE	1				0.8	1.76
030	11460-63070	ARMATURE	1				0.05	0.11
040	11460-63530	BEARING	1				0.02	0.044
050	11460-63500	BEARING	1				0.03	0.066
060	34070-16810	ASSY CLUTCH	1				0.565	1.243
070	19212-63100	ROLLER	5				0.002	0.0044
080	11460-63110	RETAINER	1				0.01	0.022
090	11460-63270	GEAR	1				0.04	0.088
100	34070-16830	ASSY HOUSING	1				0.405	0.891
110	34070-16840	ASSY FRAME END	1				0.1	0.22
120	11470-63380	ASSY HOLDER BRUSH	1				0.3	0.66
130	11460-63390	SPRING BRUSH	4				0.01	0.022
140	34070-16850	ASSY SWITCH MAGNETIC	1				0.955	2.101
150	15511-63760	ASSY BOLT	2				0.005	0.011
160	11460-93310	BOLT	2				0.01	0.022
170	11460-63320	BOLT THROUGH	2				0.02	0.044
180	19212-97130	BALL	1				0.003	0.0066
190	11460-63120	SPRING	1				0.01	0.022
200	15511-96660	O RING	2				0.005	0.011
210	13963-92010	NUT HEXAGON	1				0.005	0.011
220	16285-63570	PIPE DRAIN	1				0.005	0.011
230	16285-92010	NUT HEXAGON	1				0.005	0.011
240	11173-63130	COVER TERMINAL	1				0.007	0.0154
250	16285-98050	ASSY COVER	1				0.048	0.1056



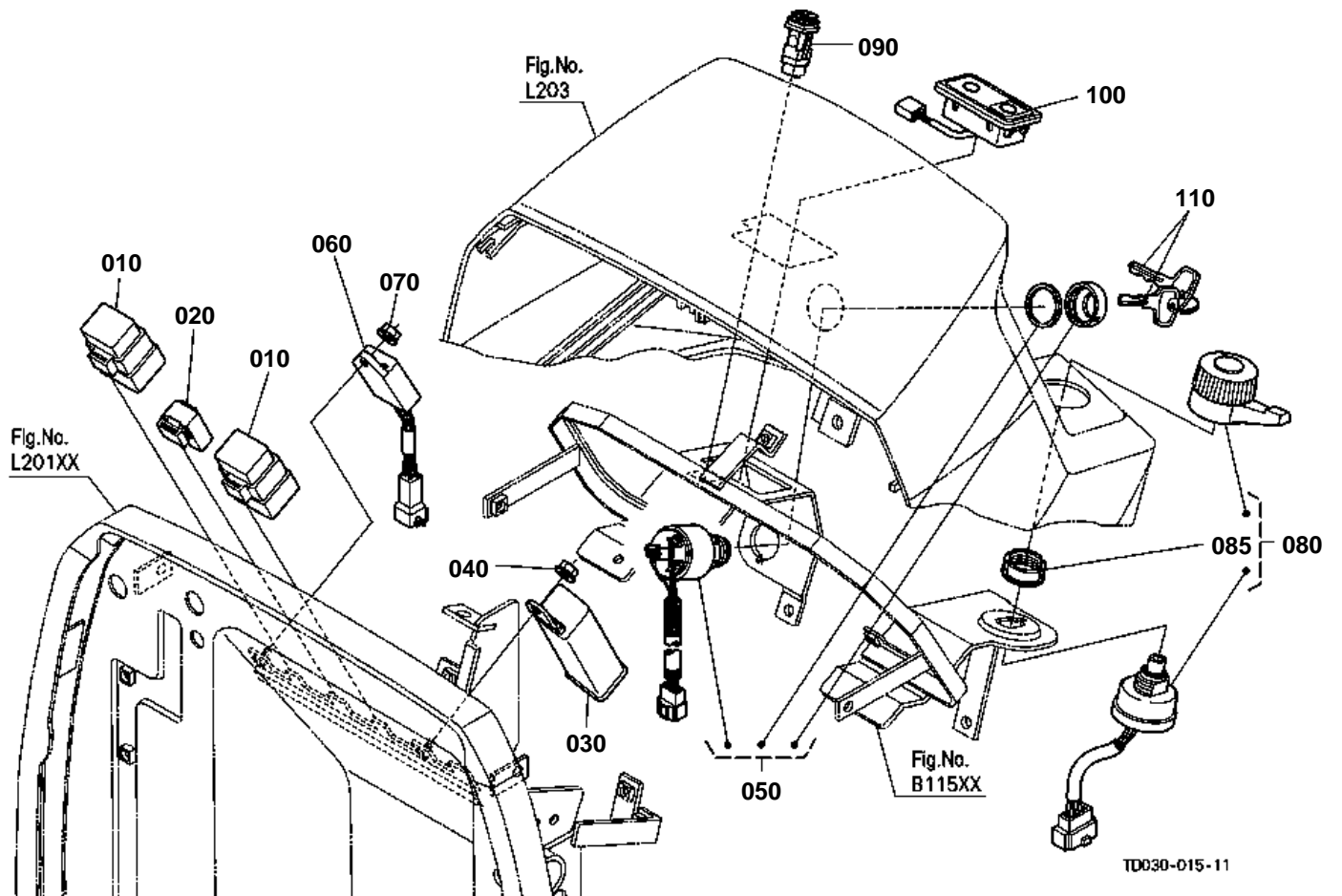
TD030-014-13

**BATTERY**

↔ Interchangeable; ≠ not interchangeable; ← new for old; → old for new

REF.No	Part No.	Description	Q'ty	S.No.	I/C	REMARKS	Weight (kgf)	Weight (lb)
010	99999-99999	BATTERY	1			75D26R	0	0
020	TD020-30120	LABEL BATTERY	1	≤=38032		ENGLISH	0	0
020	TD020-30122	LABEL BATTERY	1	≥=38033	←	ENGLISH	0.004	0.0088
030	T1150-30120	CORD BATTERY	1	≤=35755			0	0
030	T1150-30124	CORD BATTERY	1	≥=35756	←		0.33	0.726
035	16429-92010	NUT	1				0.007	0.0154
040	T1060-30130	CORD EARTH	1				0.08	0.176
050	T1060-40110	RETAINER BATTERY	1				0.2	0.44
060	T0430-40120	BOLT HOOK	2				0.042	0.0924
070	02552-50060	NUT LOCK	2				0.002	0.0044

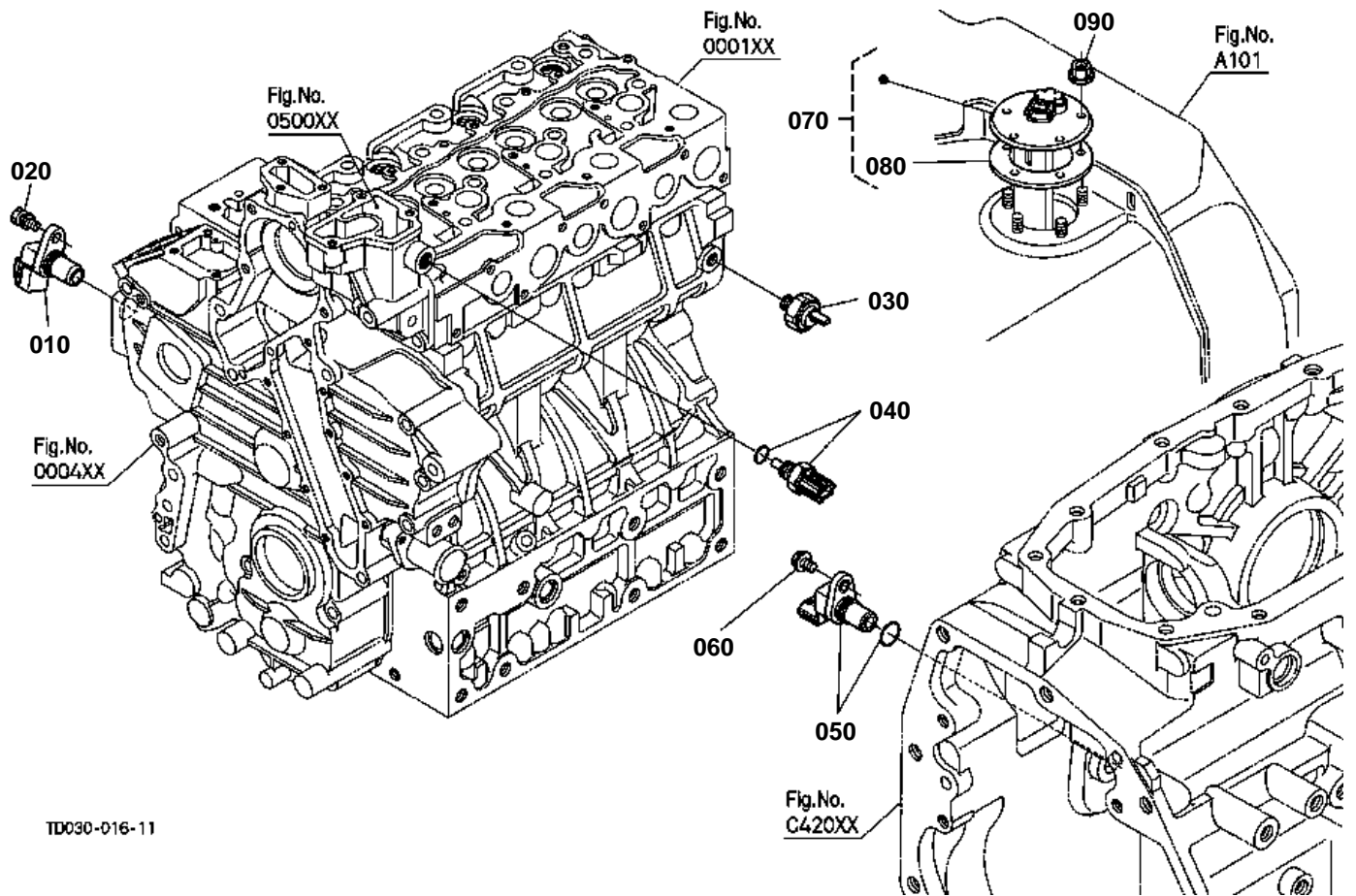
SWITCH/RELAY [ROPS TYPE]



**SWITCH/RELAY [ROPS TYPE]**

↔ Interchangeable; ≠ not interchangeable; ← new for old; → old for new

REF.No	Part No.	Description	Q'ty	S.No.	I/C	REMARKS	Weight (kgf)	Weight (lb)
010	T1060-33710	RELAY GLOW	2				0.07	0.154
020	T1060-33720	RELAY STARTER	1				0.02	0.044
030	3F240-75430	UNIT FLASHER	1				0.06	0.132
040	02751-50060	NUT FLANGE	1				0.005	0.011
050	34670-31822	SWITCH MAIN	1	≤36088			0	0
050	34670-31823	SWITCH MAIN	1	≥36089	←		0.026	0.0572
060	TD060-30500	TIMER OPC	1				0.04	0.088
070	02751-50060	NUT FLANGE	1				0.005	0.011
080	3A751-75010	SWITCH COMBINATION	1				0.115	0.253
085	35999-12660	NUT RING	1				0.015	0.033
090	TA140-30910	SWITCH HAZARD	1				0.115	0.253
100	TD060-32320	SWITCH CHANGE	1				0.05	0.11
110	35260-31852	ASSY KEY MAIN SWITCH	1				0.03	0.066



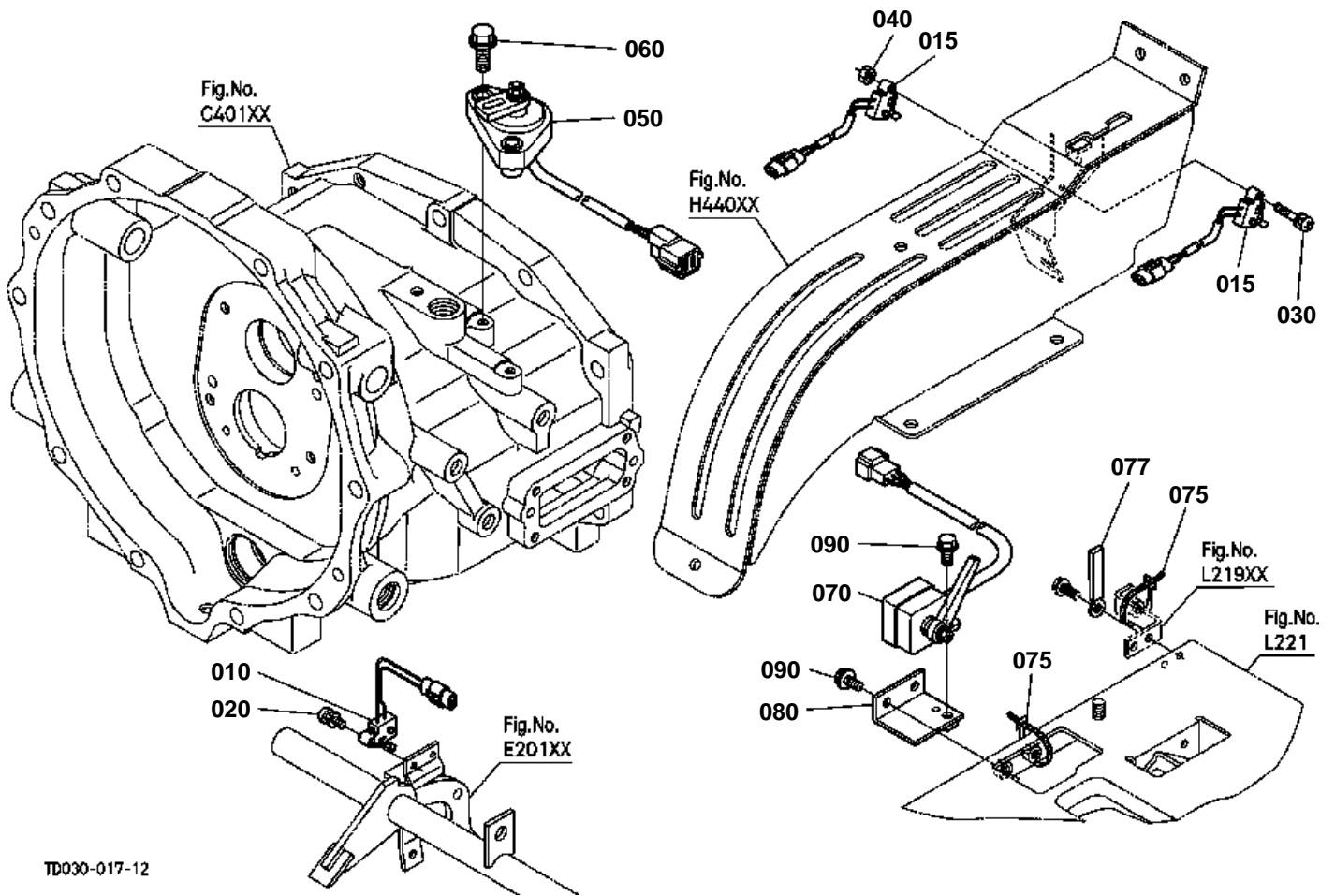
**SWITCH/SENSOR [EXCEPT CAB [CA] TYPE]**

↔ Interchangeable; ≠ not interchangeable; ← new for old; → old for new

REF.No	Part No.	Description	Q'ty	S.No.	I/C	REMARKS	Weight (kgf)	Weight (lb)
010	T1060-32270	SENSOR REVOLUTION	1				0.022	0.0484
020	01023-50616	BOLT	1				0.005	0.011
030	15531-39010	SWITCH OIL	1				0.032	0.0704
040	T1063-65660	SENSOR THERMO	1				0.03	0.066
050	T1060-18660	SENSOR REVOLUTION	1				0.025	0.055
060	01754-50614	BOLT FLANGE	1				0.005	0.011
070	T1060-31204	ASSY UNIT FUEL	1				0.2	0.44
080	T1060-31220	GASKET	1				0.01	0.022
090	02761-50040	NUT FLANGE	5				0.002	0.0044

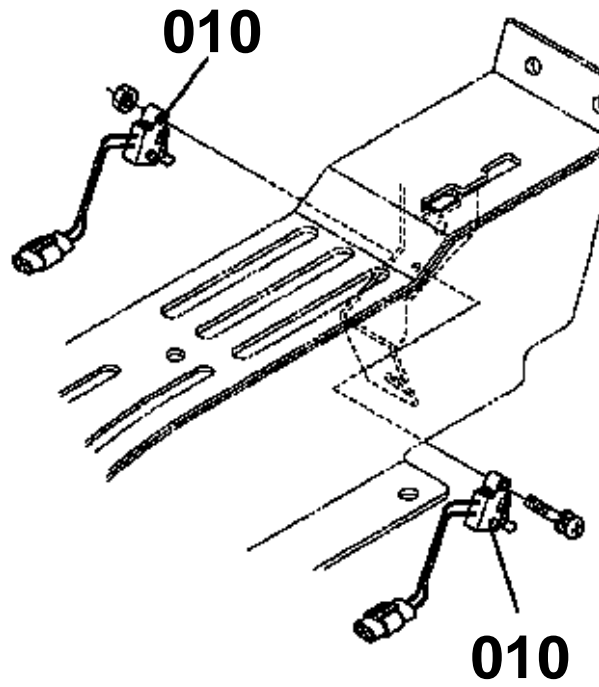


SWITCH [MANUAL T/M TYPE]



TD030-017-12

# OLD PARTS



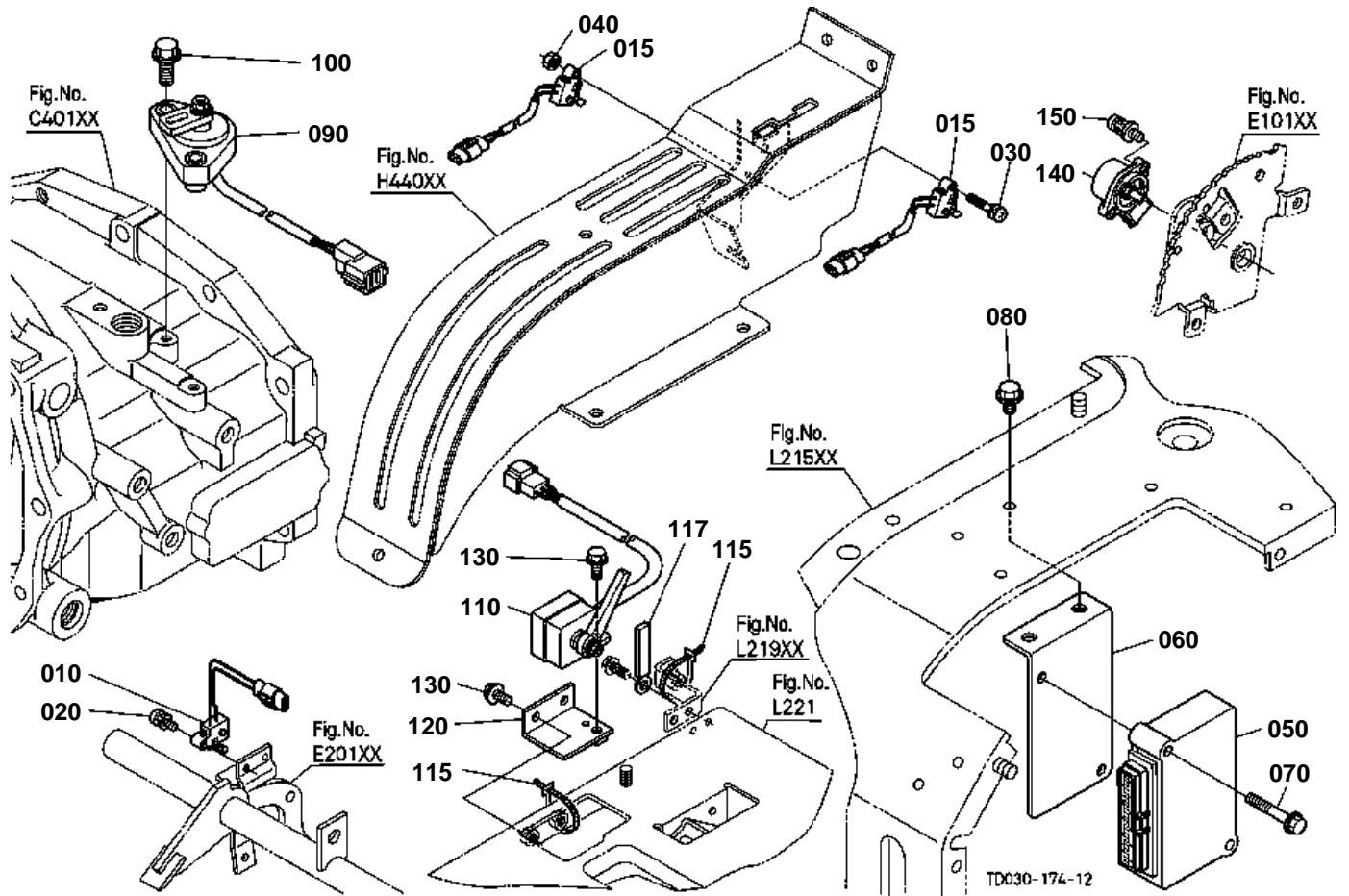
TD060-808-10

**SWITCH [MANUAL T/M TYPE]**

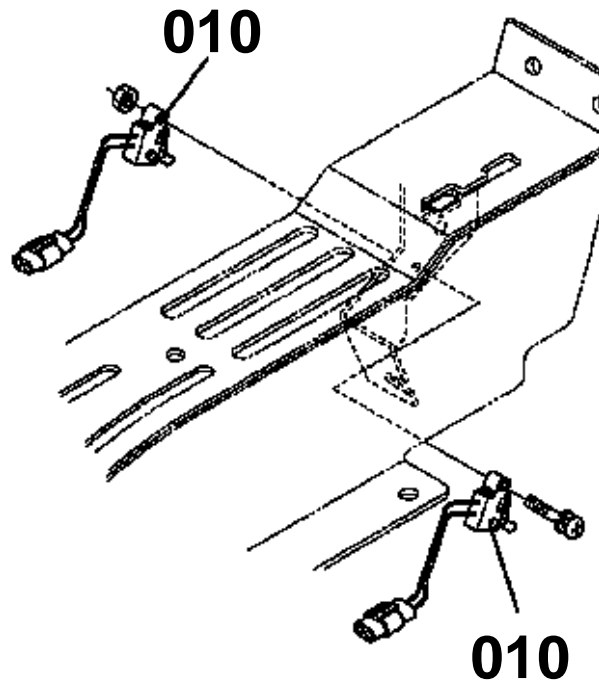
↔ Interchangeable; ≠ not interchangeable; ← new for old; → old for new

REF.No	Part No.	Description	Q'ty	S.No.	I/C	REMARKS	Weight (kgf)	Weight (lb)
010	T1060-43900	SWITCH LEVER	3	≤=38913			0.01	0.022
010	T1060-43900	SWITCH LEVER	1	≥=38914			0.01	0.022
015	TD060-42780	SWITCH PTO	2	≥=38914			0.02	0.044
020	03024-50414	SCREW WITH WASHER	1				0.002	0.0044
030	03024-50425	SCREW WITH WASHER	1				0.003	0.0066
040	02054-50040	NUT	1				0.001	0.0022
050	TD060-42772	SWITCH	1				0.125	0.275
060	01754-50825	BOLT FLANGE	2				0.01	0.022
070	TD060-47900	SWITCH SEAT	1	≤=35755			0.07	0.154
070	TD060-47902	SWITCH SEAT	1	≥=35756	←		0.03	0.066
075	53581-64150	BAND CORD	2				0.002	0.0044
077	37150-34460	CLAMP CORD	1				0.004	0.0088
080	TD060-47550	STAY SEAT SWITCH	1				0.077	0.1694
090	01754-50612	BOLT FLANGE	3				0.005	0.011

SWITCH [GST TYPE]



# OLD PARTS



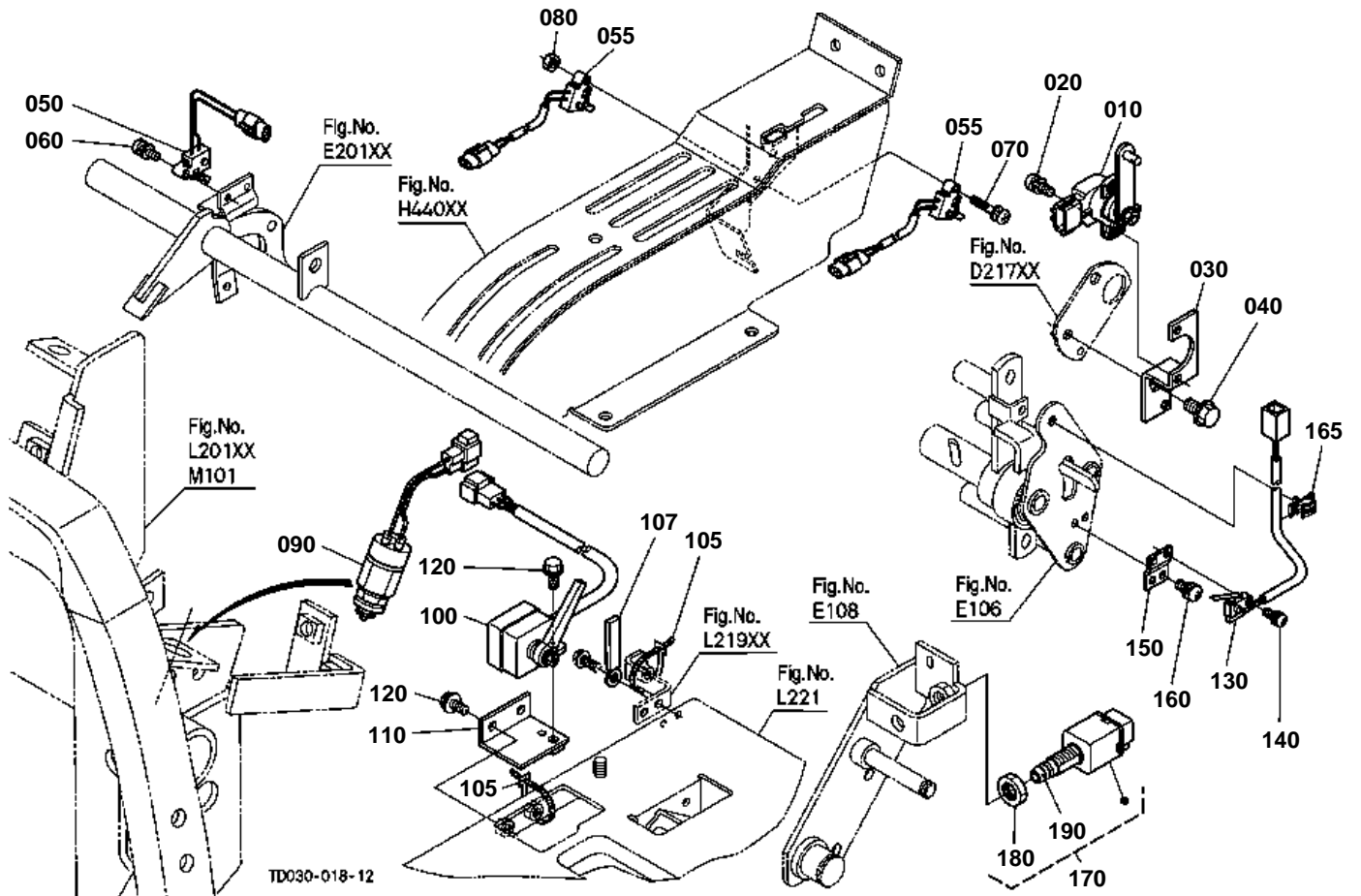
TD060-808-10

**SWITCH [GST TYPE]**

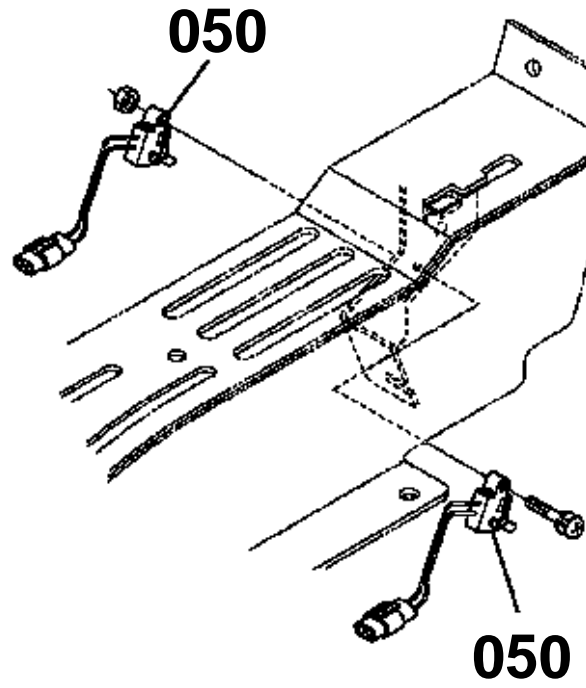
↔ Interchangeable; ≠ not interchangeable; ← new for old; → old for new

REF.No	Part No.	Description	Q'ty	S.No.	I/C	REMARKS	Weight (kgf)	Weight (lb)
010	T1060-43900	SWITCH LEVER	3	<=38913			0.01	0.022
010	T1060-43900	SWITCH LEVER	1	>=38914			0.01	0.022
015	TD060-42780	SWITCH PTO	2	>=38914			0.02	0.044
020	03024-50414	SCREW WITH WASHER	1				0.002	0.0044
030	03024-50425	SCREW WITH WASHER	1				0.003	0.0066
040	02054-50040	NUT	1				0.001	0.0022
050	TD060-66002	ECU	1	<=30115			0	0
050	TD060-66003	ECU	1	>=30116	←		0	0
050	TD060-66004	ECU	1	>=30881	←		0.235	0.517
050	TD060-66006	ECU	1	>=36089	←		0	0
050	TD060-66007	ECU	1	>=45719	←		0.235	0.517
060	TD060-93510	STAY ECU	1				0.27	0.594
070	01754-50645	BOLT FLANGE	2				0.01	0.022
080	01754-50812	BOLT FLANGE	2				0.01	0.022
090	TD060-42772	SWITCH	1				0.125	0.275
100	01754-50825	BOLT FLANGE	2				0.01	0.022
110	TD060-47900	SWITCH SEAT	1	<=35755			0.07	0.154
110	TD060-47902	SWITCH SEAT	1	>=35756	←		0.03	0.066
115	53581-64150	BAND CORD	2				0.002	0.0044
117	37150-34460	CLAMP CORD	1				0.004	0.0088
120	TD060-47550	STAY SEAT SWITCH	1				0.077	0.1694
130	01754-50612	BOLT FLANGE	3				0.005	0.011
140	T1063-32300	SENSOR	1				0.04	0.088
150	T1063-32390	BOLT	2				0.003	0.0066

SWITCH [HST TYPE]



# OLD PARTS



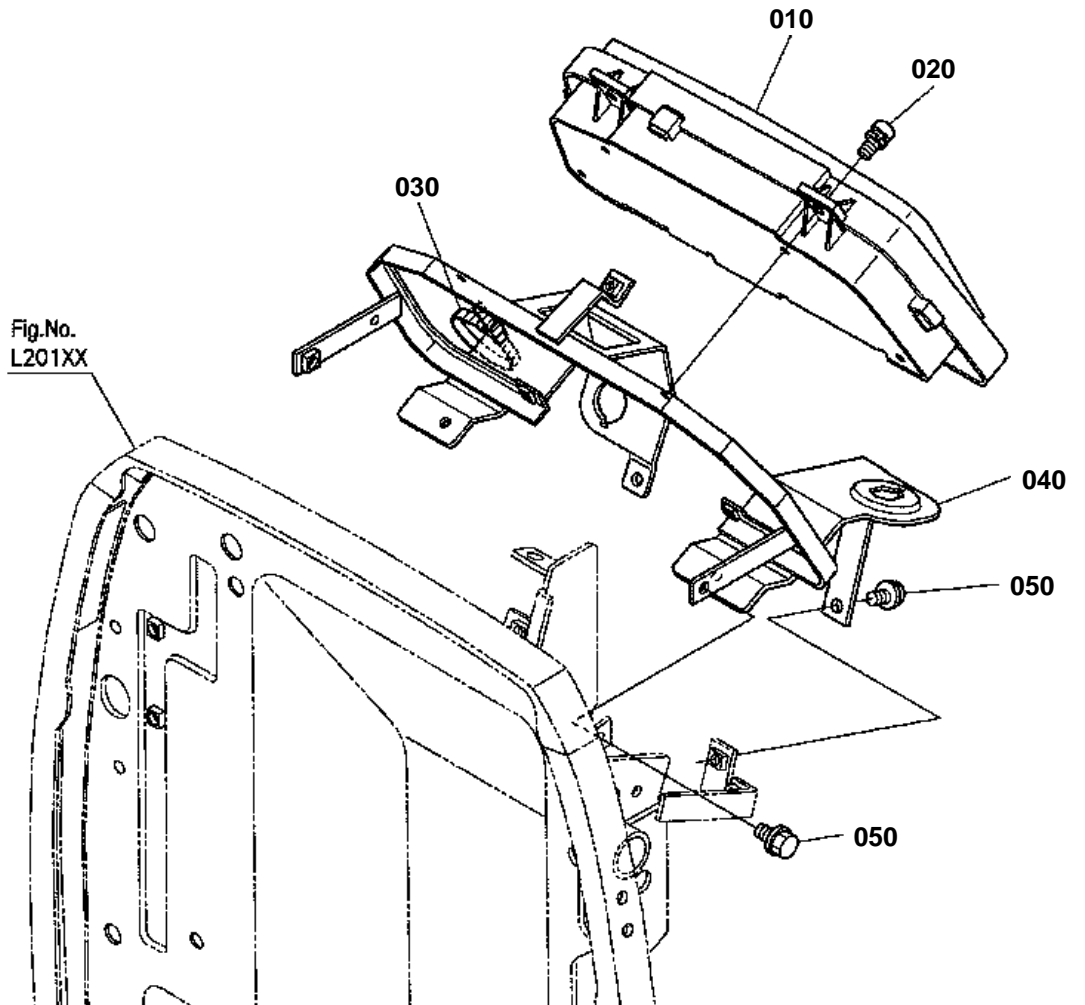
TD060-809-10



**SWITCH [HST TYPE]**

↔ Interchangeable; ≠ not interchangeable; ← new for old; → old for new

REF.No	Part No.	Description	Q'ty	S.No.	I/C	REMARKS	Weight (kgf)	Weight (lb)
010	T1062-32240	SENSOR	1				0.07	0.154
020	T1060-32390	BOLT SENSOR	2				0.004	0.0088
020	03034-50412	SCREW WITH WASHER	2		↔		0.02	0.044
030	TD060-54690	STAY SENSOR	1				0.06	0.132
040	01754-50816	BOLT FLANGE	1				0.011	0.0242
050	T1060-43900	SWITCH LEVER	3	<=38913			0.01	0.022
050	T1060-43900	SWITCH LEVER	1	>=38914			0.01	0.022
055	TD060-42780	SWITCH PTO	2	>=38914			0.02	0.044
060	03024-50414	SCREW WITH WASHER	1				0.002	0.0044
070	03024-50425	SCREW WITH WASHER	1				0.003	0.0066
080	02054-50040	NUT	1				0.001	0.0022
090	TD060-57500	SWITCH SAFETY	1				0.14	0.308
100	TD060-47900	SWITCH SEAT	1	<=35755			0.07	0.154
100	TD060-47902	SWITCH SEAT	1	>=35756	←		0.03	0.066
105	53581-64150	BAND CORD	2				0.002	0.0044
107	37150-34460	CLAMP CORD	1				0.004	0.0088
110	TD060-47550	STAY SEAT SWITCH	1				0.077	0.1694
120	01754-50612	BOLT FLANGE	3				0.005	0.011
130	TD060-55890	SWITCH LIMIT	1				0.01	0.022
140	03034-50312	SCREW WITH WASHER	1				0.012	0.0264
150	TD060-55740	STAY SWITCH	1				0.01	0.022
160	03024-50508	SCREW WITH WASHER	1				0.002	0.0044
165	T1060-44760	CLAMP CORD	1				0.003	0.0066
170	TD060-53900	SWITCH NEUTRAL	1				0.09	0.198
180	67111-55830	NUT SAFETY SWITCH	1				0.035	0.077
190	TD060-53910	COVER SWITCH	1				0.001	0.0022



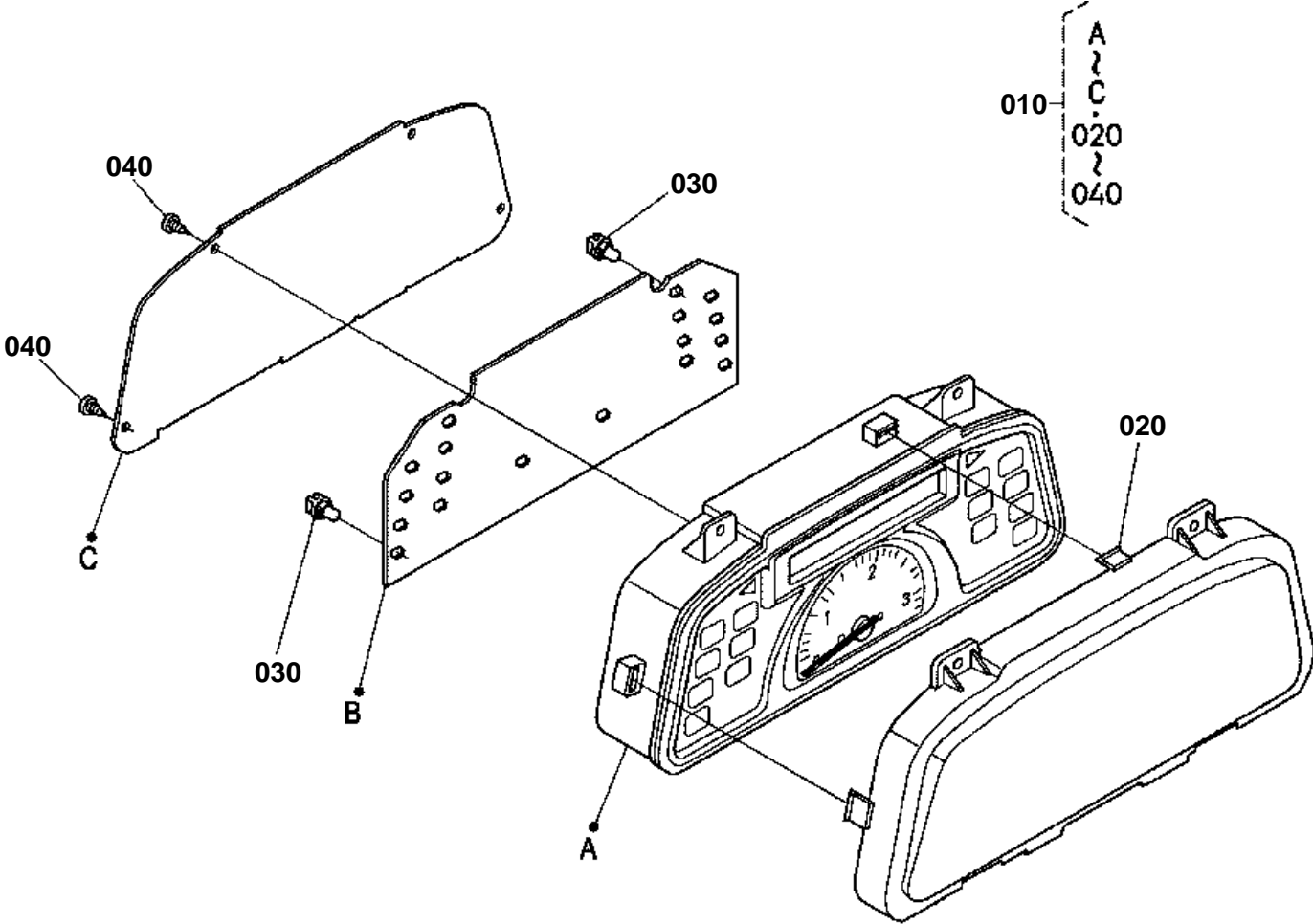
TD030-019-11



PANEL BOARD [ROPS TYPE]

↔ Interchangeable; ≠ not interchangeable; ← new for old; → old for new

REF.No	Part No.	Description	Q'ty	S.No.	I/C	REMARKS	Weight (kgf)	Weight (lb)
010	TD060-30200	ASSY PANEL	1	<=39586			0	0
010	TD060-30205	ASSY PANEL	1	>=39587	←		0.925	2.035
020	03034-50520	SCREW WITH WASHER	4				0.044	0.0968
030	55311-41260	BAND CORD	1				0.007	0.0154
040	T1060-30185	STAY METER	1				0.965	2.123
050	01754-50812	BOLT FLANGE	4				0.01	0.022



TD030-020-10

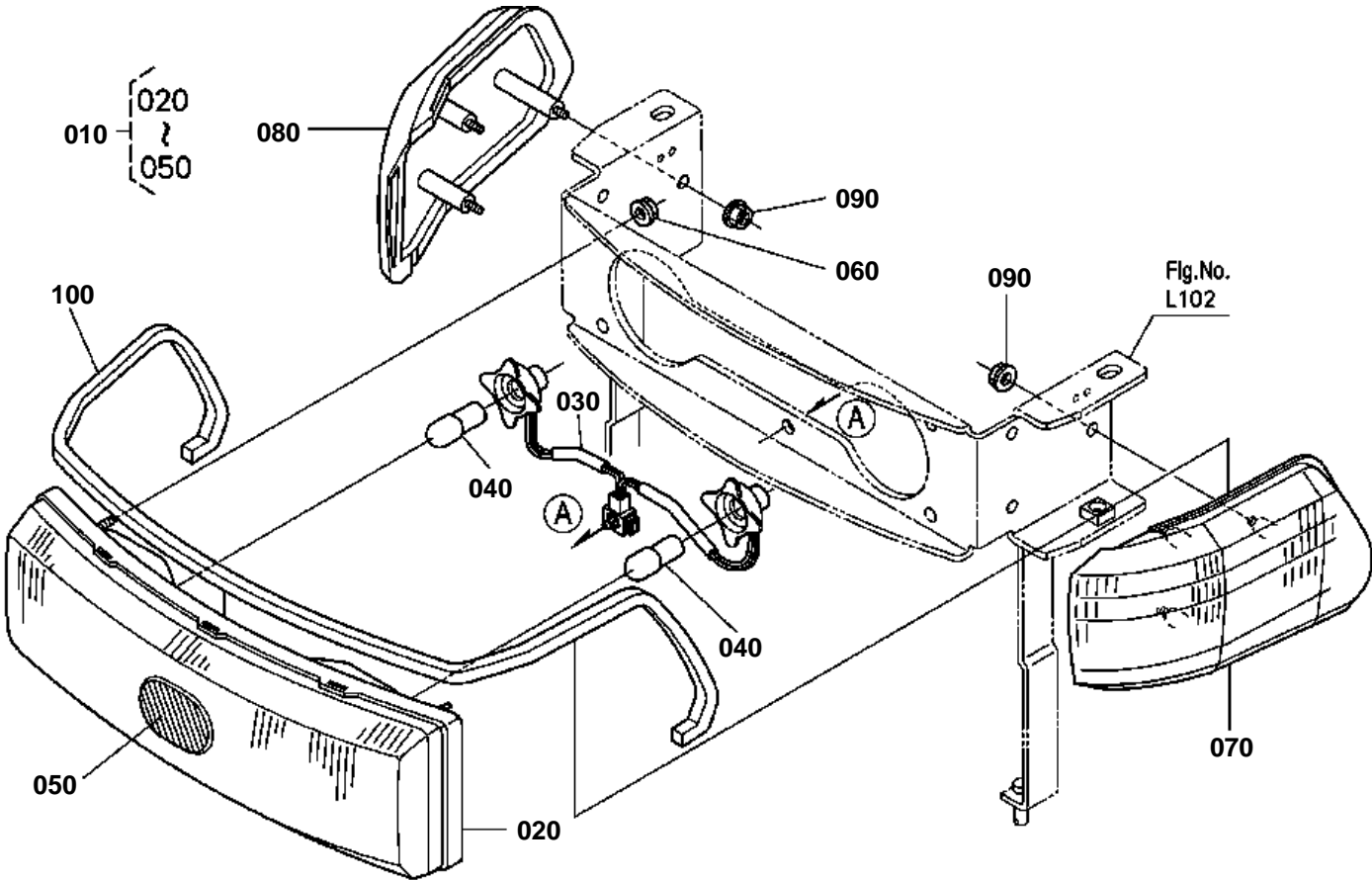


PANEL BOARD [COMPONENT PARTS]

↔ Interchangeable; ≠ not interchangeable; ← new for old; → old for new

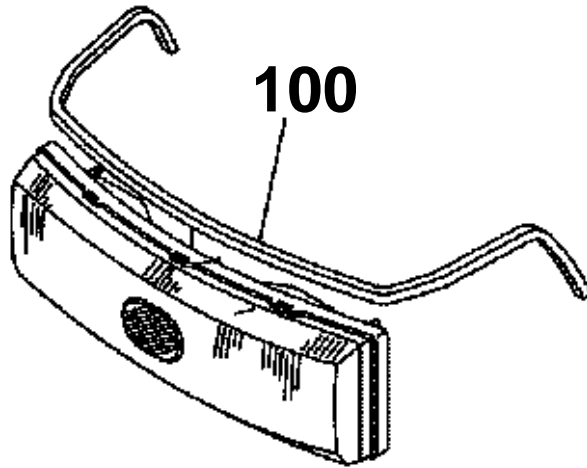
REF.No	Part No.	Description	Q'ty	S.No.	I/C	REMARKS	Weight (kgf)	Weight (lb)
010	TD060-30200	ASSY PANEL	1	<=39586			0	0
010	TD060-30205	ASSY PANEL	1	>=39587	←		0.925	2.035
020	TD060-30190	GLASS	1				0.12	0.264
030	T1060-30270	BULB MONITOR	18			1.12W	0.001	0.0022
040	T1060-30380	SCREW	4				0.001	0.0022

HEAD LIGHT



TD030-021-12

# OLD PARTS



TD030-800-10

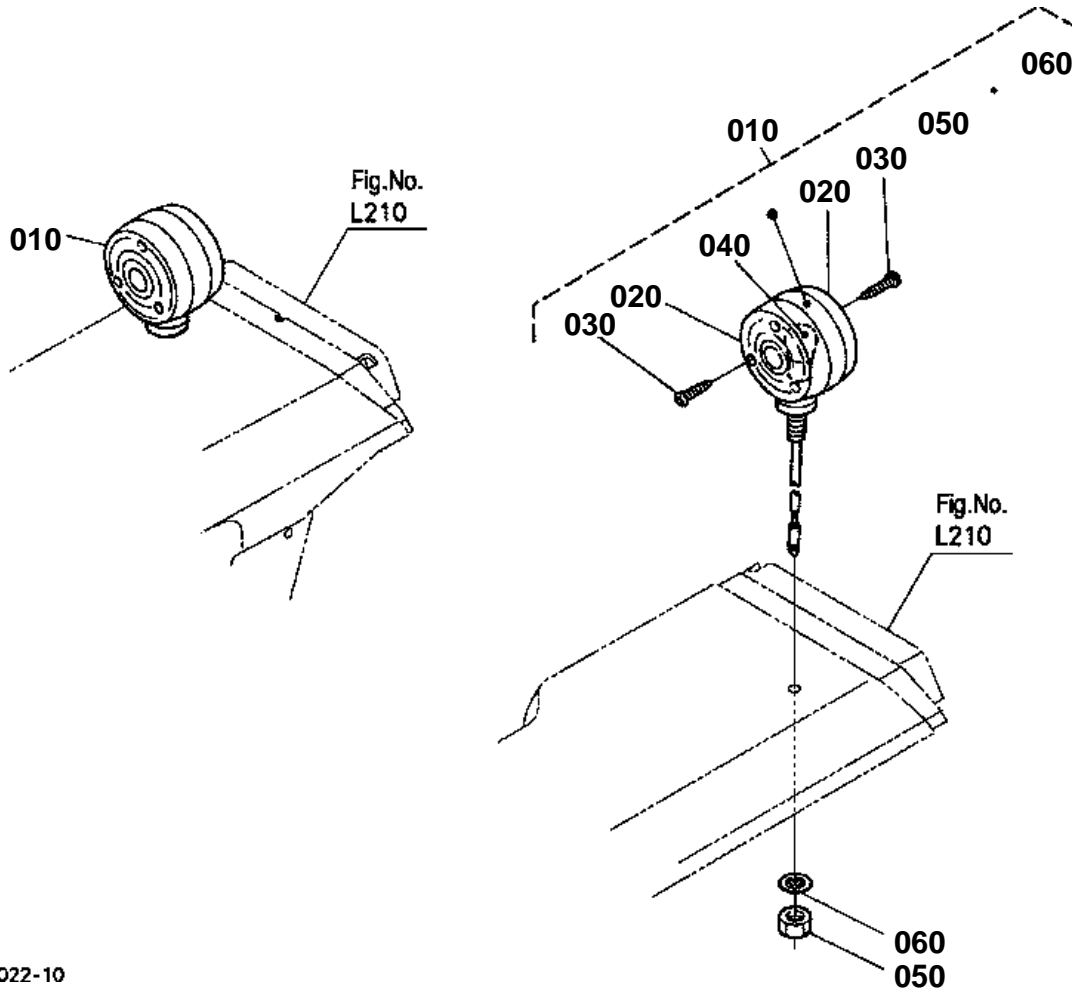


# HEAD LIGHT

↔ Interchangeable; ≠ not interchangeable; ← new for old; → old for new

REF.No	Part No.	Description	Q'ty	S.No.	I/C	REMARKS	Weight (kgf)	Weight (lb)
010	TD060-30010	ASSY LIGHT HEAD	1	<=30880			0	0
010	TD060-30012	ASSY LIGHT HEAD	1	>=30881	←		0.675	1.485
020	T1060-99100	UNIT LAMP	1				0.585	1.287
030	T1060-99090	ASSY WIRE HARNESS	1				0.055	0.121
040	34070-99010	BULB	2			25W	0.02	0.044
050	TD060-49510	MARK SYMBOL	1				0.017	0.0374
060	02751-50060	NUT FLANGE	4				0.005	0.011
070	T1060-30040	GRILLE LIGHT LH	1				0.31	0.682
080	T1060-30050	GRILLE LIGHT RH	1				0.31	0.682
090	02751-50060	NUT FLANGE	6				0.005	0.011
100	T1060-30060	SPONGE HEAD LAMP	1	<=30115			0.02	0.044
100	TD060-30060	SPONGE HEAD LAMP	1	>=30116	←		0.02	0.044
100	TD060-30062	SPONGE HEAD LAMP	1	>=39587	←		0.02	0.044





TD030-022-10

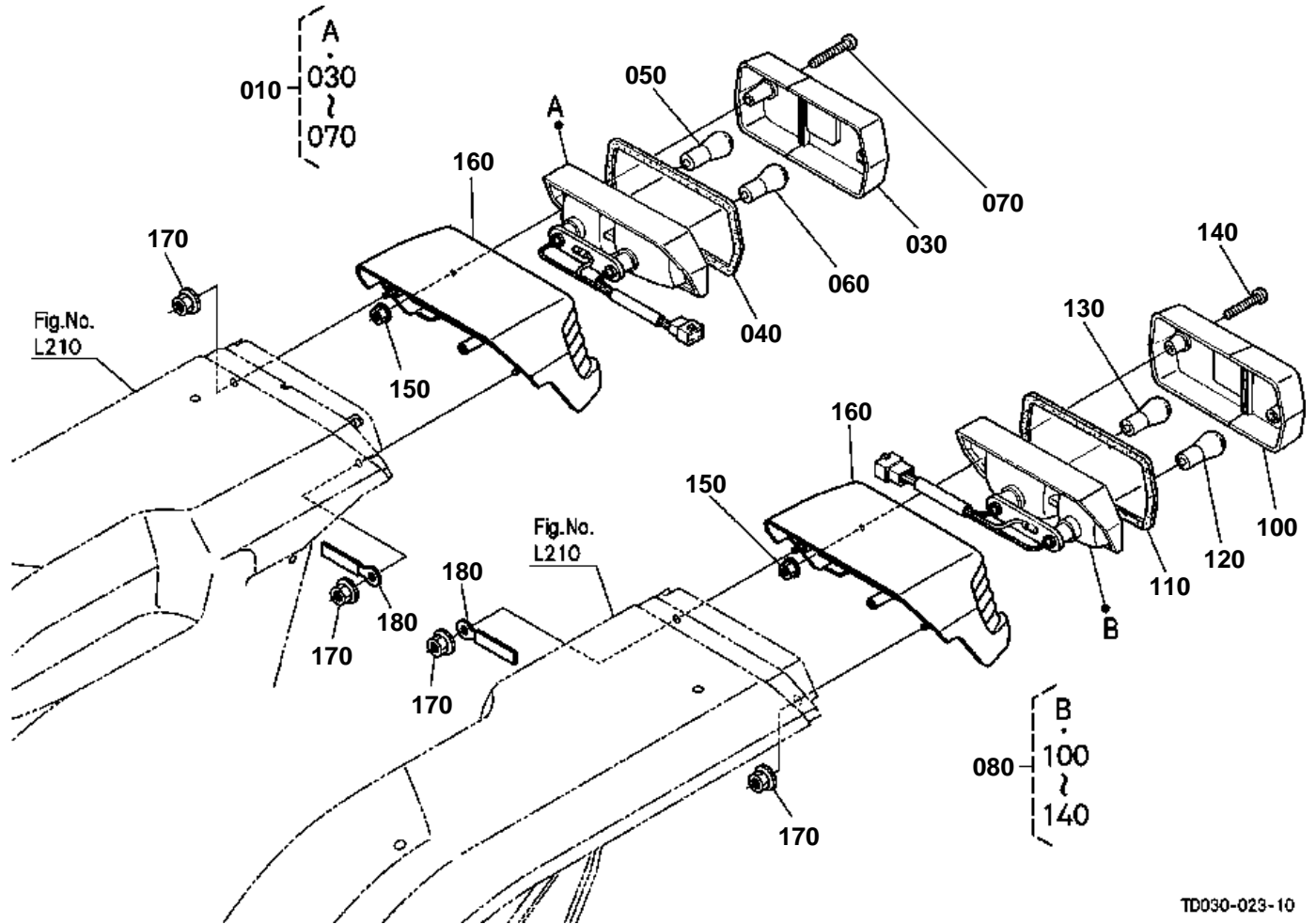


# HAZARD LIGHT [ROPS TYPE]

↔ Interchangeable; ≠ not interchangeable; ← new for old; → old for new

REF.No	Part No.	Description	Q'ty	S.No.	I/C	REMARKS	Weight (kgf)	Weight (lb)
010	32530-33610	ASSY LIGHT HAZARD	2				0.38	0.836
020	32530-91510	LENS HAZARD LIGHT	4				0.085	0.187
030	32530-91520	SCREW TAPPING	12				0.001	0.0022
040	32530-91530	BULB LIGHT	2			27W	0.02	0.044
050	02114-50100	NUT	2				0.005	0.011
060	04411-50100	WASHER TOOTHED	2				0.001	0.0022

REAR LAMP [ROPS TYPE]

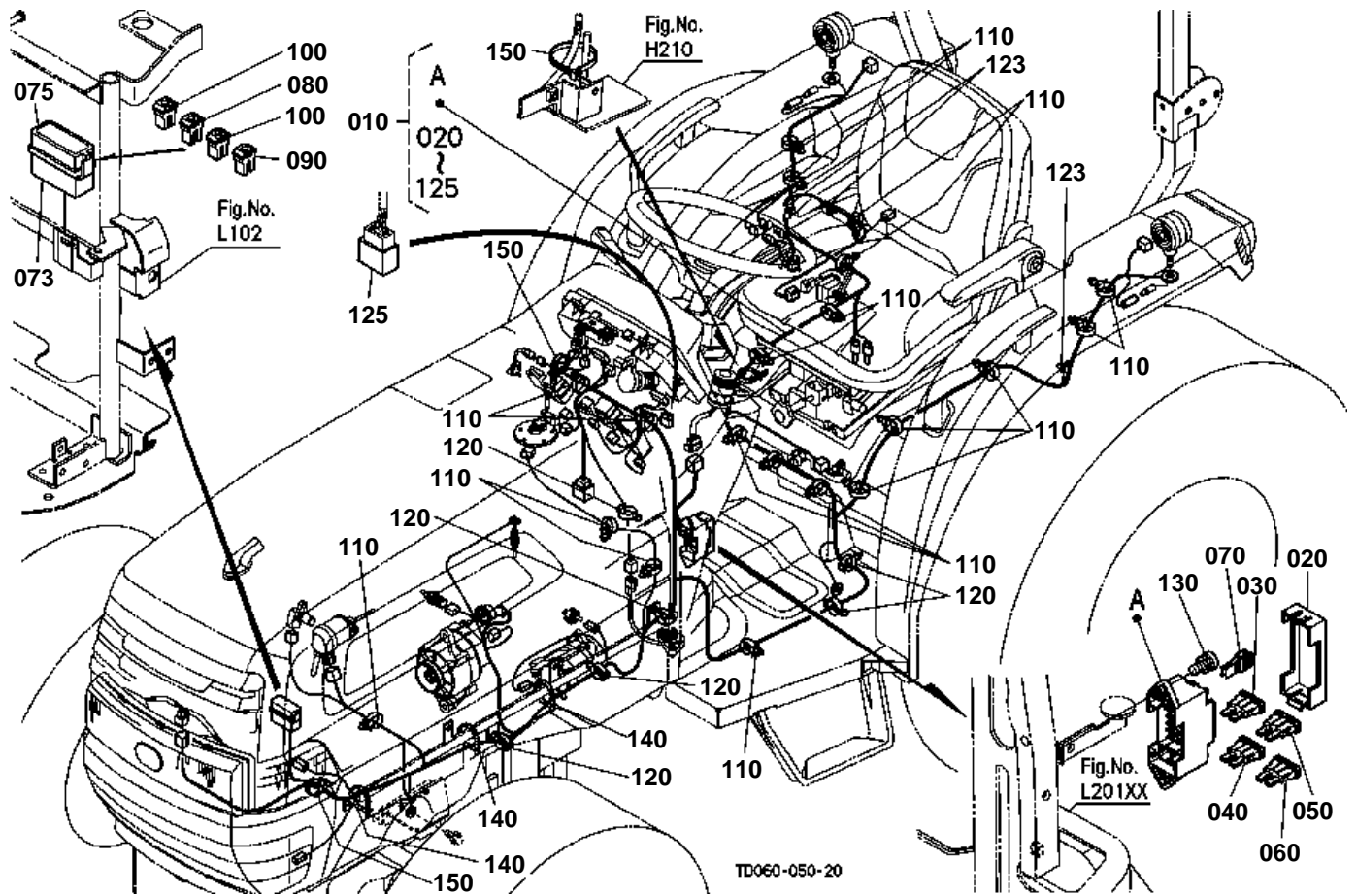


TD030-023-10

**REAR LAMP [ROPS TYPE]**

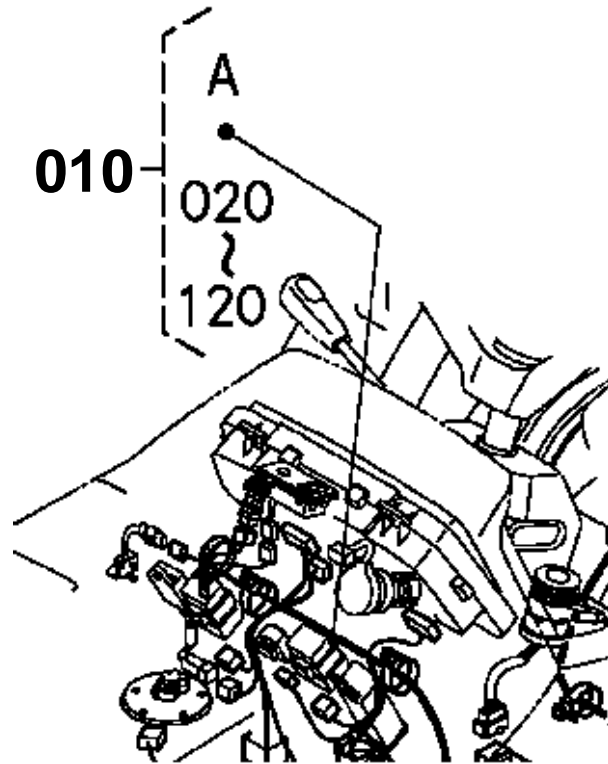
↔ Interchangeable; ≠ not interchangeable; ← new for old; → old for new

REF.No	Part No.	Description	Q'ty	S.No.	I/C	REMARKS	Weight (kgf)	Weight (lb)
010	T1150-34302	ASSY LIGHT COMBI.RH	1				0.31	0.682
020	99999-99999	BLANK	0				0	0
030	31301-34340	LENS	1				0.105	0.231
040	31391-34350	GASKET	1				0.002	0.0044
050	31391-34360	BULB	1			23W	0.018	0.0396
060	31301-34370	BULB	1			23/8W	0.02	0.044
070	31391-34380	SCREW	2				0	0
070	T1150-34380	SCREW	2		↔		0.006	0.0132
080	T1150-34312	ASSY LIGHT COMBI.LH	1				0.31	0.682
090	99999-99999	BLANK	0				0	0
100	31301-34340	LENS	1				0.105	0.231
110	31391-34350	GASKET	1				0.002	0.0044
120	31391-34360	BULB	1			23W	0.018	0.0396
130	31301-34370	BULB	1			23/8W	0.02	0.044
140	31391-34380	SCREW	2				0	0
140	T1150-34380	SCREW	2		↔		0.006	0.0132
150	02761-50050	NUT FLANGE	4				0.002	0.0044
160	T1150-34340	HOLDER	2				0.405	0.891
170	02021-50060	NUT	8				0.005	0.011
180	15272-67590	CLAMP CORD	2				0.004	0.0088



# OLD PARTS

S.No. ; A : <=10168, B : <=33968  
, C : <=30704, D : <=10061  
, E : <=30859



TD030-866-10



ELECTRICAL WIRING [MANUAL T/M TYPE]

↔ Interchangeable; ≠ not interchangeable; ← new for old; → old for new

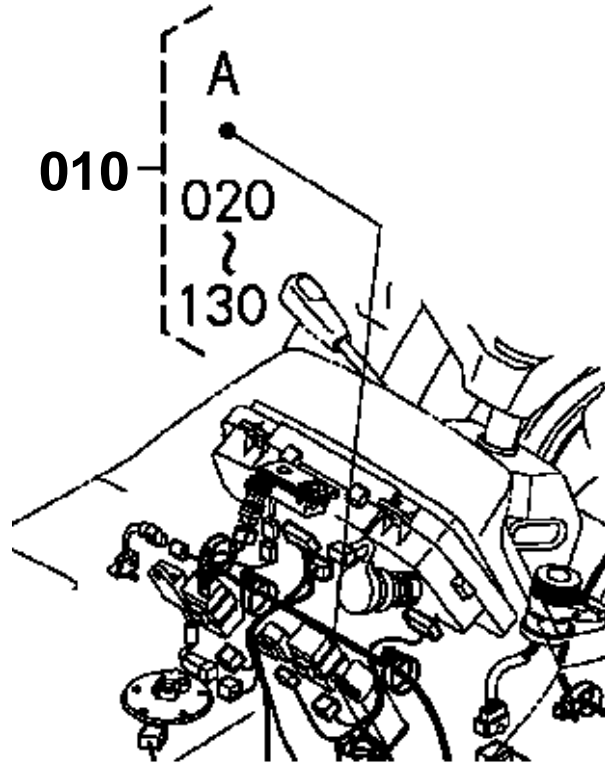
REF.No	Part No.	Description	Q'ty	S.No.	I/C	REMARKS	Weight (kgf)	Weight (lb)
010	TD050-30342	WIRE HARNESS	1	≤=30115			0	0
010	TD050-30343	WIRE HARNESS	1	≥=30116	←		0	0
010	TD050-30345	WIRE HARNESS	1	≥=33969	←		2.5	5.5
010	TD050-30346	WIRE HARNESS	1	≥=38914	≠		2.5	5.5
020	TD060-53960	COVER FUSE BOX	1				0.01	0.022
030	T1060-30430	FUSE	4			5A	0.005	0.011
040	T1150-30480	FUSE	3			7.5A	0.002	0.0044
050	T1060-30450	FUSE	3			15A	0.005	0.011
060	T1060-30470	FUSE	1			30A	0.005	0.011
070	T1060-30490	PULLER FUSE	1				0.005	0.011
073	TD060-30610	CASE	1				0.06	0.132
075	TD060-30620	COVER FUSE CASE	1				0.01	0.022
080	TD060-30510	FUSE	1			30A	0.004	0.0088
090	TD060-30520	FUSE	1			40A	0.004	0.0088
100	TD060-30530	FUSE	2			50A	0.004	0.0088
110	T1060-30540	CLIP	20				0.01	0.022
120	TD060-30570	CLIP	6				0.003	0.0066
123	TD060-30560	CLIP	3				0.001	0.0022
125	TD060-75390	DIODE	1	≥=33969			0.002	0.0044
130	03034-50616	SCREW WITH WASHER	2				0.006	0.0132
140	55311-41260	BAND CORD	3				0.007	0.0154
150	53581-64150	BAND CORD	2	≤=38032			0.002	0.0044
150	53581-64150	BAND CORD	3	≥=38033			0.002	0.0044





# OLD PARTS

S.No. ; B : <=33968, C : <=30704  
, E : <=30859

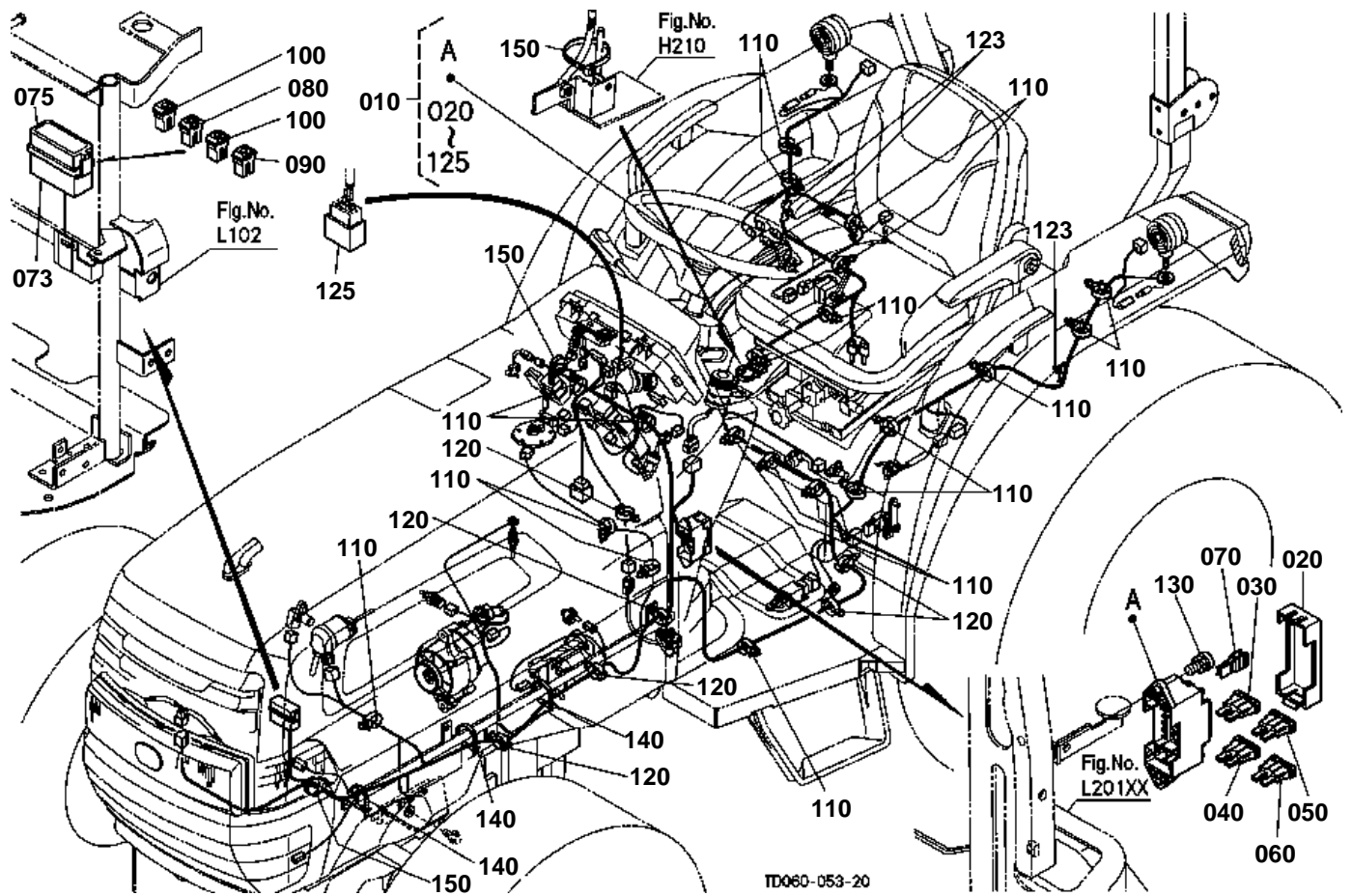


TD030-867-10

**ELECTRICAL WIRING [GST TYPE]**

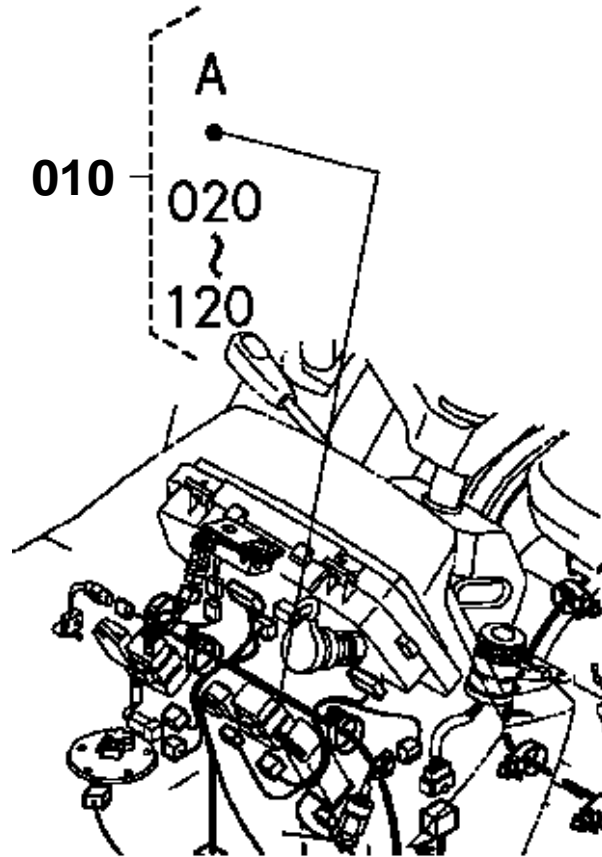
↔ Interchangeable; ≠ not interchangeable; ← new for old; → old for new

REF.No	Part No.	Description	Q'ty	S.No.	I/C	REMARKS	Weight (kgf)	Weight (lb)
010	TD060-30312	WIRE HARNESS GST	1	<=33968			0	0
010	TD060-30315	WIRE HARNESS GST	1	>=33969	←		3	6.6
010	TD060-30316	WIRE HARNESS GST	1	>=38914	≠		3	6.6
020	TD060-30410	COVER FUSE BOX	1				0.009	0.0198
030	T1060-30430	FUSE	5			5A	0.005	0.011
040	T1150-30480	FUSE	3			7.5A	0.002	0.0044
050	T1060-30440	FUSE	2			10A	0.005	0.011
060	T1060-30450	FUSE	3			15A	0.005	0.011
070	T1060-30470	FUSE	1			30A	0.005	0.011
080	T1060-30490	PULLER FUSE	1				0.005	0.011
083	TD060-30610	CASE	1				0.06	0.132
085	TD060-30620	COVER FUSE CASE	1				0.01	0.022
090	TD060-30510	FUSE	1			30A	0.004	0.0088
100	TD060-30520	FUSE	1			40A	0.004	0.0088
110	TD060-30530	FUSE	2			50A	0.004	0.0088
120	T1060-30540	CLIP	20				0.01	0.022
130	TD060-30570	CLIP	7				0.003	0.0066
133	TD060-30560	CLIP	3				0.001	0.0022
135	TD060-75390	DIODE	1	>=33969			0.002	0.0044
140	03034-50616	SCREW WITH WASHER	2				0.006	0.0132
150	55311-41260	BAND CORD	3				0.007	0.0154
160	53581-64150	BAND CORD	2	<=38032			0.002	0.0044
160	53581-64150	BAND CORD	3	>=38033			0.002	0.0044



# OLD PARTS

S.No. ; B : <=33968, C: <=30704  
, E : <=30859



TD030-868-10

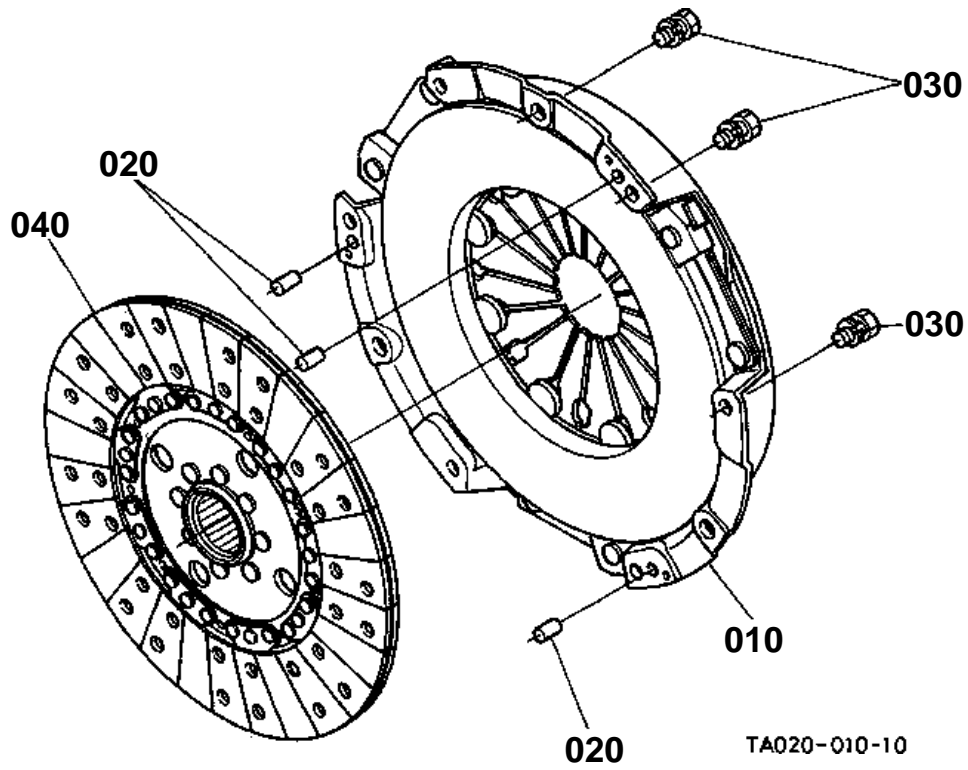


ELECTRICAL WIRING [HST TYPE] [ROPS TYPE]

↔ Interchangeable; ≠ not interchangeable; ← new for old; → old for new

REF.No	Part No.	Description	Q'ty	S.No.	I/C	REMARKS	Weight (kgf)	Weight (lb)
010	TD060-53952	WIRE HARNESS HST	1	≤=33968			0	0
010	TD060-53955	WIRE HARNESS HST	1	≥=33969	←		3.4	7.48
010	TD060-53956	WIRE HARNESS HST	1	≥=38914	≠		2.6	5.72
020	TD060-53960	COVER FUSE BOX	1				0.01	0.022
030	T1060-30430	FUSE	4			5A	0.005	0.011
040	T1150-30480	FUSE	3			7.5A	0.002	0.0044
050	T1060-30450	FUSE	3			15A	0.005	0.011
060	T1060-30470	FUSE	1			30A	0.005	0.011
070	T1060-30490	PULLER FUSE	1				0.005	0.011
073	TD060-30610	CASE	1				0.06	0.132
075	TD060-30620	COVER FUSE CASE	1				0.01	0.022
080	TD060-30510	FUSE	1			30A	0.004	0.0088
090	TD060-30520	FUSE	1			40A	0.004	0.0088
100	TD060-30530	FUSE	2			50A	0.004	0.0088
110	T1060-30540	CLIP	20				0.01	0.022
120	TD060-30570	CLIP	6				0.003	0.0066
123	TD060-30560	CLIP	3				0.001	0.0022
125	TD060-75390	DIODE	1	≥=33969			0.002	0.0044
130	03034-50616	SCREW WITH WASHER	2				0.006	0.0132
140	55311-41260	BAND CORD	3				0.007	0.0154
150	53581-64150	BAND CORD	2	≤=38032			0.002	0.0044
150	53581-64150	BAND CORD	3	≥=38033			0.002	0.0044

CLUTCH



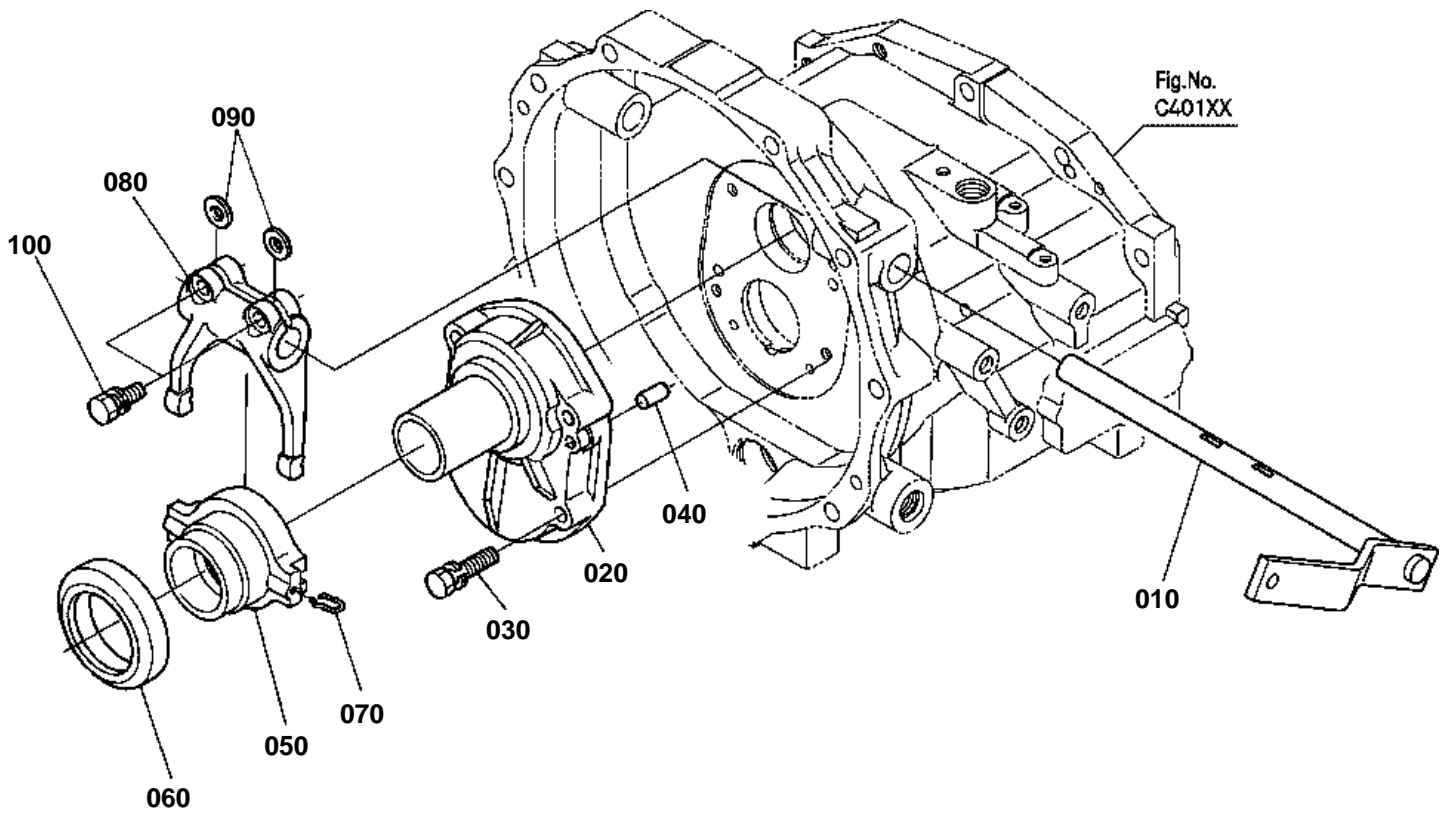


# CLUTCH

↔ Interchangeable; ≠ not interchangeable; ← new for old; → old for new

REF.No	Part No.	Description	Q'ty	S.No.	I/C	REMARKS	Weight (kgf)	Weight (lb)
010	TA020-20600	ASSY PLATE PRESSURE	1				6.5	14.3
020	05012-00612	PIN STRAIGHT	3				0.003	0.0066
030	01123-60816	BOLT	9				0.01	0.022
040	TD020-20500	COMP.DISK CLUTCH	1				1.03	2.266

CLUTCH LEVER [EXCEPT HST TYPE]



TD030-027-10



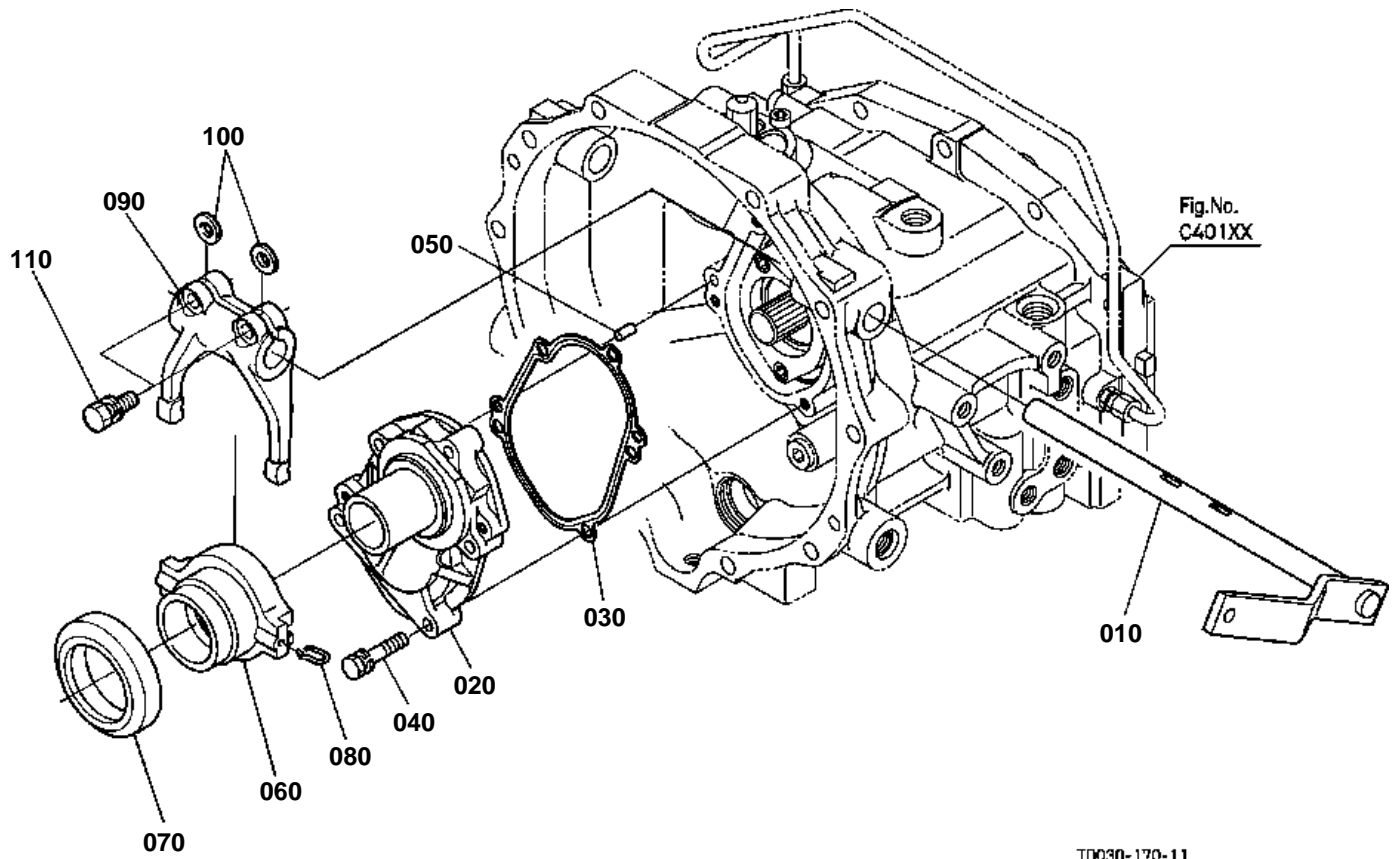


## CLUTCH LEVER [EXCEPT HST TYPE]

↔ Interchangeable; ≠ not interchangeable; ← new for old; → old for new

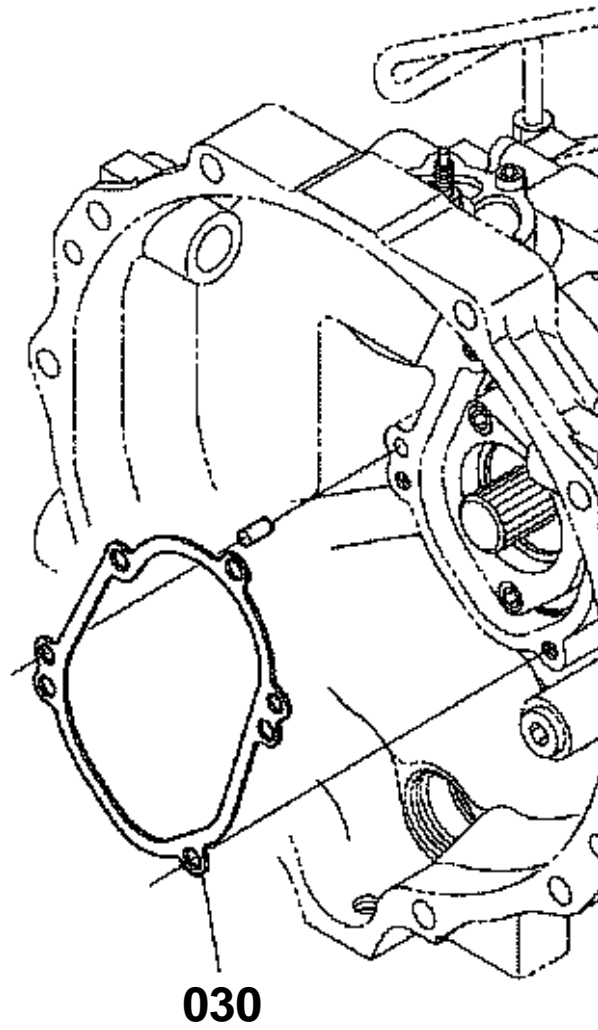
REF.No	Part No.	Description	Q'ty	S.No.	I/C	REMARKS	Weight (kgf)	Weight (lb)
010	TD060-21170	LEVER CLUTCH	1				1.26	2.772
020	T1150-21100	CASE PROPELLER SHAFT	1				0.69	1.518
030	01123-50845	BOLT	4				0.02	0.044
040	05012-00818	PIN STRAIGHT	2				0.013	0.0286
050	T1150-21150	HOLDER CLUTCH	1				0.555	1.221
060	TA040-20700	BEARING RELEASE	1				0.29	0.638
070	TA040-21210	PIN SNAP	2				0.002	0.0044
080	TA040-21200	FORK CLUTCH RELEASE	1				0.54	1.188
090	31150-14780	KEY FORK	2				0.003	0.0066
100	01123-50825	BOLT	2				0.013	0.0286

CLUTCH LEVER [HST TYPE]



TD030-170-11

# OLD PARTS



TD030-810-10

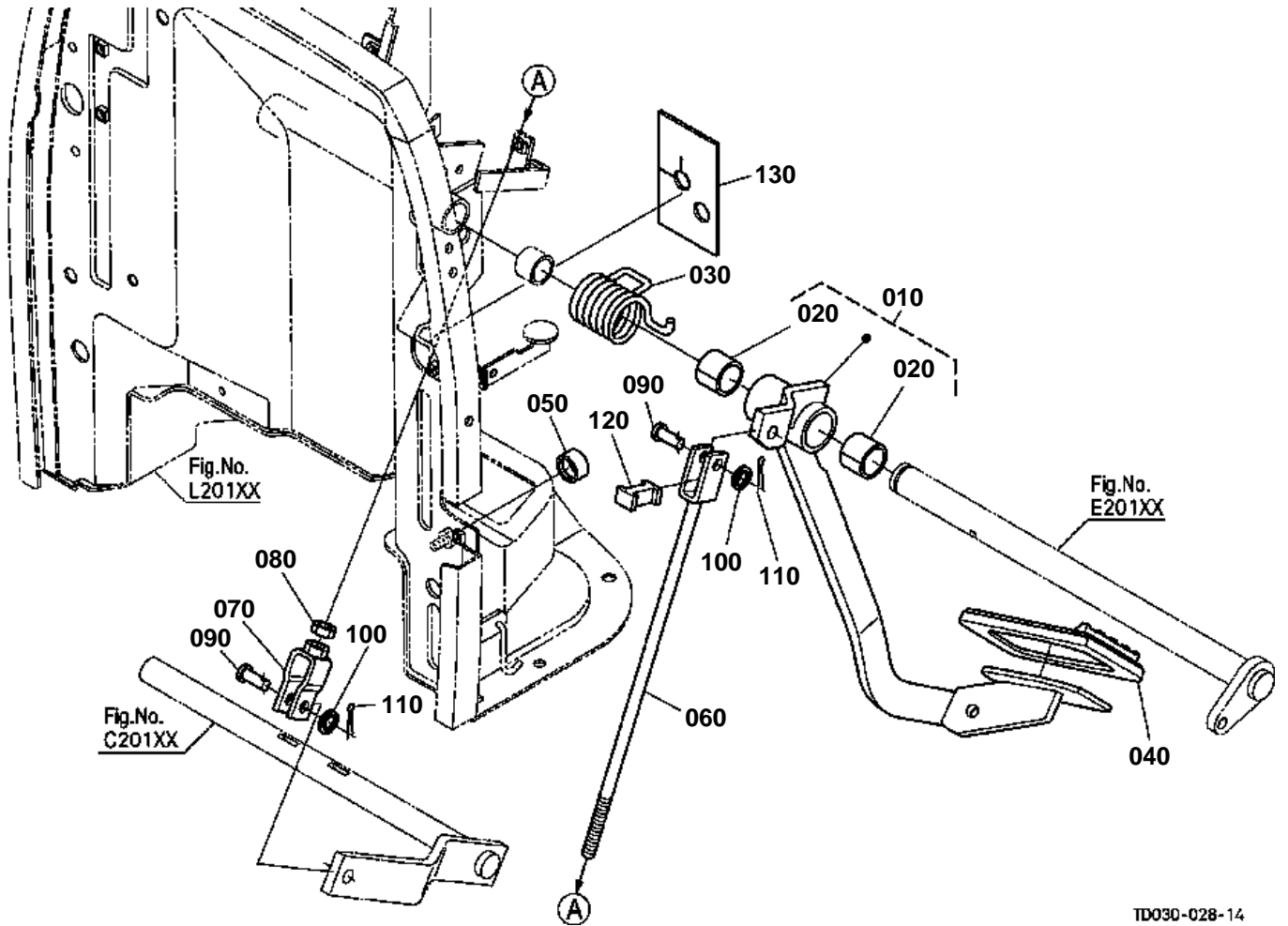


# CLUTCH LEVER [HST TYPE]

↔ Interchangeable; ≠ not interchangeable; ← new for old; → old for new

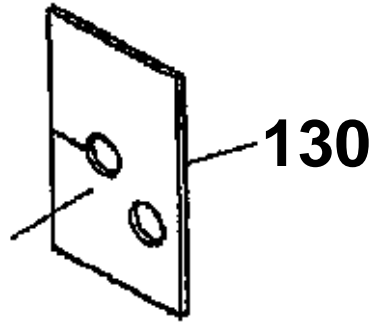
REF.No	Part No.	Description	Q'ty	S.No.	I/C	REMARKS	Weight (kgf)	Weight (lb)
010	TD060-21170	LEVER CLUTCH	1				1.26	2.772
020	TD060-51100	CASE PROPELLER SHAFT	1				0.825	1.815
030	TD060-51110	GASKET	1	≤36741			0	0
030	TD060-51112	GASKET	1	≥36742	←		0.005	0.011
040	01123-50845	BOLT	5				0.02	0.044
050	05012-00818	PIN STRAIGHT	2				0.013	0.0286
060	T1150-21150	HOLDER CLUTCH	1				0.555	1.221
070	TA040-20700	BEARING RELEASE	1				0.29	0.638
080	TA040-21210	PIN SNAP	2				0.002	0.0044
090	TA040-21200	FORK CLUTCH RELEASE	1				0.54	1.188
100	31150-14780	KEY FORK	2				0.003	0.0066
110	01123-50825	BOLT	2				0.013	0.0286

CLUTCH PEDAL [EXCEPT HST TYPE]



TD030-028-14

## OLD PARTS



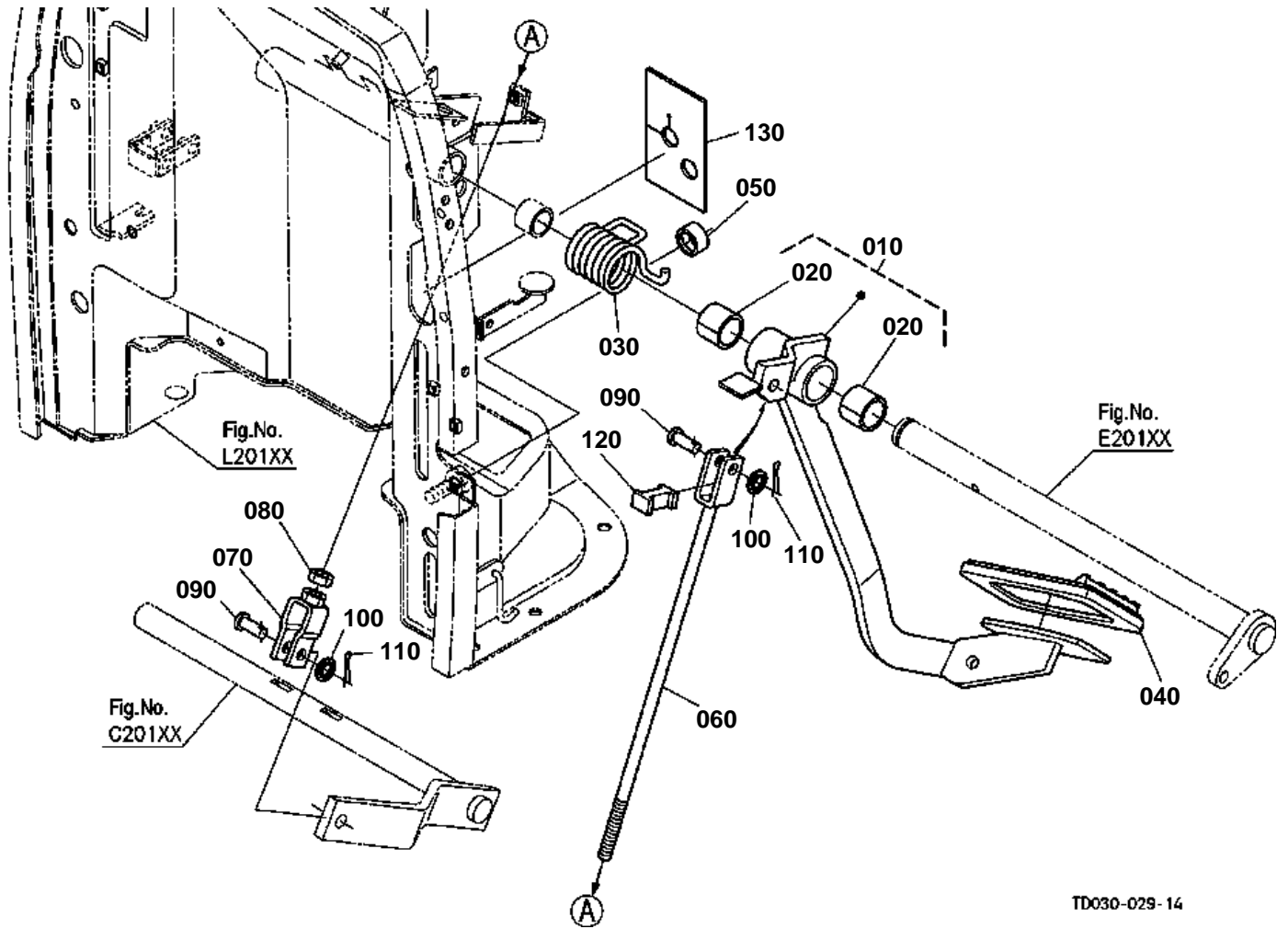
TD030-803-10

**CLUTCH PEDAL [EXCEPT HST TYPE]**

↔ Interchangeable; ≠ not interchangeable; ← new for old; → old for new

REF.No	Part No.	Description	Q'ty	S.No.	I/C	REMARKS	Weight (kgf)	Weight (lb)
010	TD060-44050	COMP.PEDAL CLUTCH	1				1.53	3.366
020	TD060-44080	BUSH	2				0.002	0.0044
030	34070-44160	SPRING	1				0.115	0.253
040	T2050-44120	COVER PEDAL	1	>=47577	←		0.07	0.154
050	T0270-47490	CUSHION	1				0.002	0.0044
060	34070-44460	ROD CLUTCH BRAKE	1	<=35196			0.225	0.495
060	TD050-44460	ROD CLUTCH	1	>=35197	≠		0.23	0.506
070	34070-44470	U JOINT	1				0.08	0.176
080	02176-50100	NUT	1				0.005	0.011
090	05122-61028	PIN JOINT	2				0.02	0.044
100	04717-01000	WASHER WITH RUBBER	2				0.001	0.0022
110	05511-50318	PIN SPLIT	2				0.001	0.0022
120	T1060-44480	CUSHION	1				0.008	0.0176
130	TD060-43260	COVER CLUTCH ROD	1	>=30116			0	0
130	TD060-43262	COVER CLUTCH ROD	1	>=30881	←		0.024	0.0528

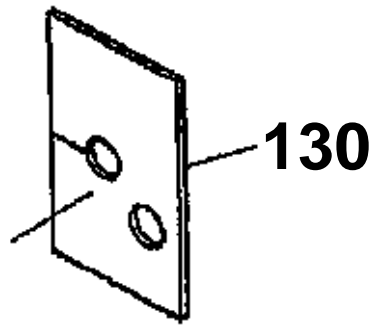
CLUTCH PEDAL [HST TYPE] [ROPS TYPE]



TD030-029-14



## OLD PARTS



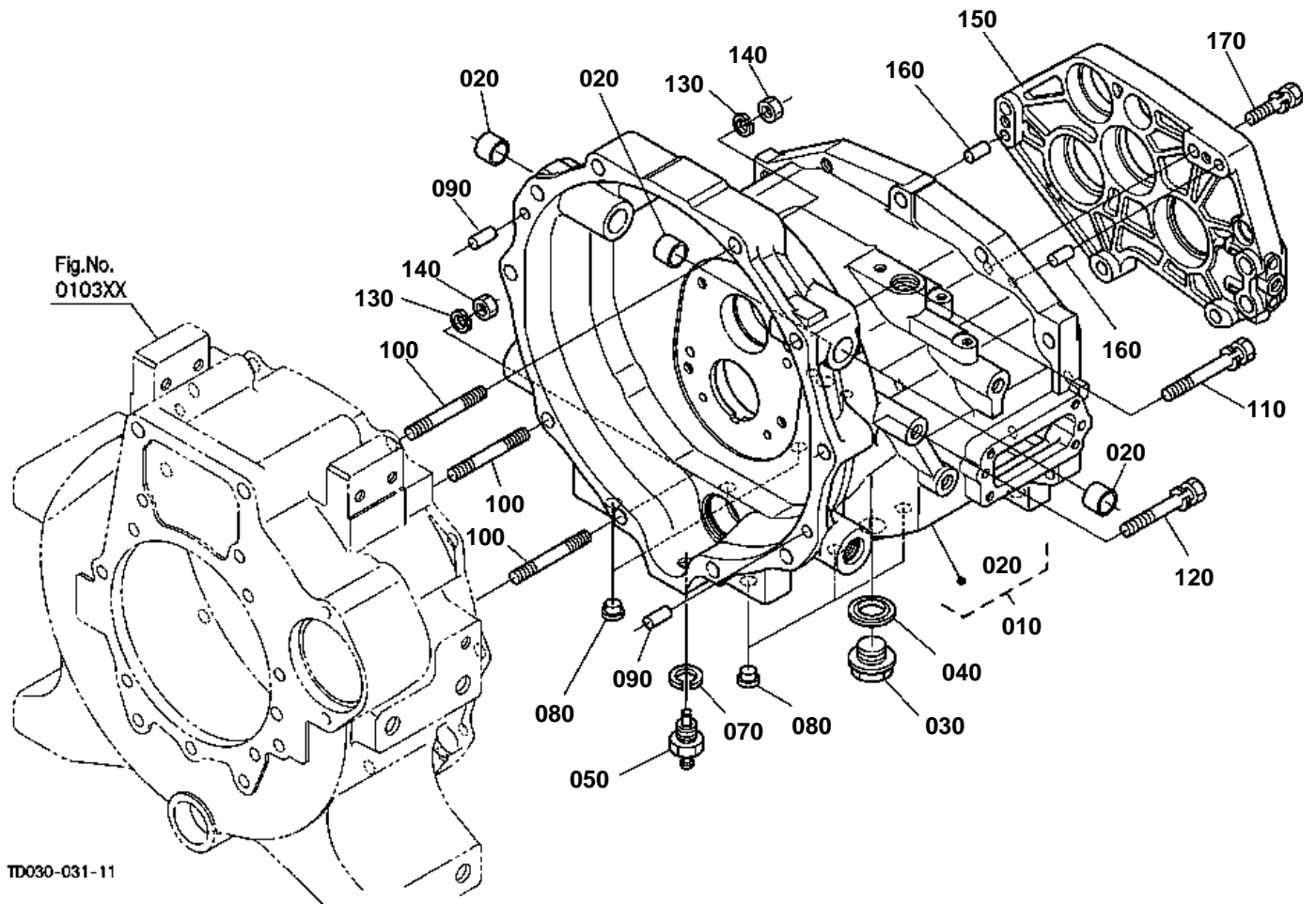
TD030-803-10

**CLUTCH PEDAL [HST TYPE] [ROPS TYPE]**

↔ Interchangeable; ≠ not interchangeable; ← new for old; → old for new

REF.No	Part No.	Description	Q'ty	S.No.	I/C	REMARKS	Weight (kgf)	Weight (lb)
010	TD060-57350	ASSY PEDAL CLUTCH	1				1.54	3.388
020	TD060-44080	BUSH	2				0.002	0.0044
030	34070-44160	SPRING	1				0.115	0.253
040	T2050-44120	COVER PEDAL	1	>=47577	←		0.07	0.154
050	T0270-47490	CUSHION	1				0.002	0.0044
060	34070-44460	ROD CLUTCH BRAKE	1	<=35196			0.225	0.495
060	TD050-44460	ROD CLUTCH	1	>=35197	≠		0.23	0.506
070	34070-44470	U JOINT	1				0.08	0.176
080	02176-50100	NUT	1				0.005	0.011
090	05122-61028	PIN JOINT	2				0.02	0.044
100	04717-01000	WASHER WITH RUBBER	2				0.001	0.0022
110	05511-50318	PIN SPLIT	2				0.001	0.0022
120	T1060-44480	CUSHION	1				0.008	0.0176
130	TD060-43260	COVER CLUTCH ROD	1	>=30116			0	0
130	TD060-43262	COVER CLUTCH ROD	1	>=30881	←		0.024	0.0528

CLUTCH HOUSING [MANUAL T/M TYPE]

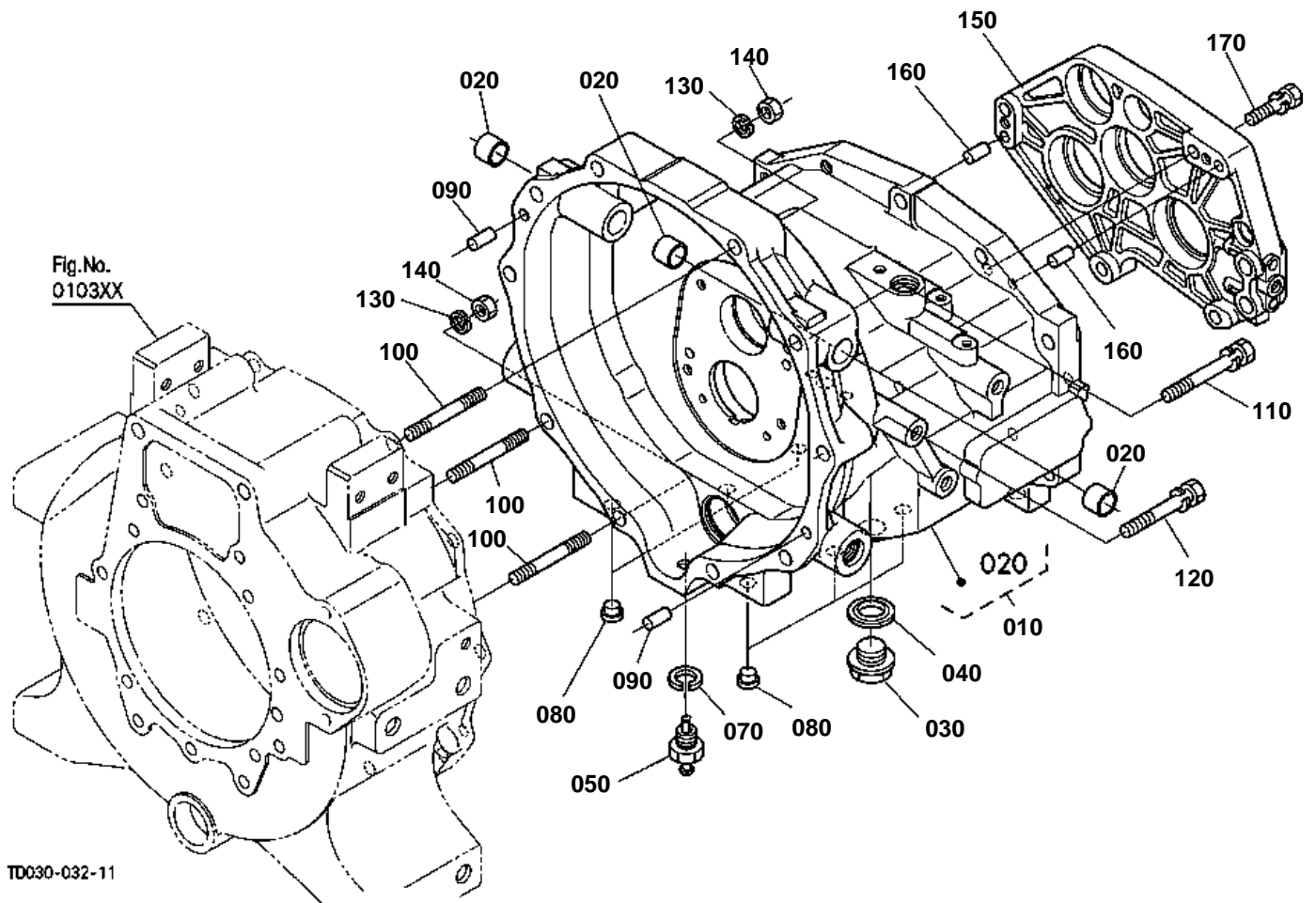


**CLUTCH HOUSING [MANUAL T/M TYPE]**

↔ Interchangeable; ≠ not interchangeable; ← new for old; → old for new

REF.No	Part No.	Description	Q'ty	S.No.	I/C	REMARKS	Weight (kgf)	Weight (lb)
010	TD050-29992	ASSY HOUSING CLUTCH	1	<=30115			0	0
010	TD050-29993	ASSY HOUSING CLUTCH	1	>=30116	←		34	74.8
020	08511-01915	BUSH	3				0.01	0.022
030	15512-96010	PLUG DRAIN	1				0.101	0.2222
040	04717-02150	WASHER WITH RUBBER	1				0.004	0.0088
050	32430-14270	KIT PLUG	1				0.04	0.088
060	99999-99999	BLANK	0				0	0
070	04512-60140	WASHER SPRING	1				0.008	0.0176
080	32210-27580	PLUG	6				0.001	0.0022
090	05012-01018	PIN STRAIGHT	2				0.012	0.0264
100	01574-51265	STUD	6				0.067	0.1474
110	01133-51280	BOLT	2				0.07	0.154
120	01133-51265	BOLT	2				0.065	0.143
130	04512-60120	WASHER SPRING	6				0.005	0.011
140	02176-50120	NUT	6				0.01	0.022
150	TD060-20250	HOLDER BEARING	1				1.07	2.354
160	05012-00818	PIN STRAIGHT	2				0.013	0.0286
170	01133-51040	BOLT	4				0.03	0.066

CLUTCH HOUSING [GST TYPE]

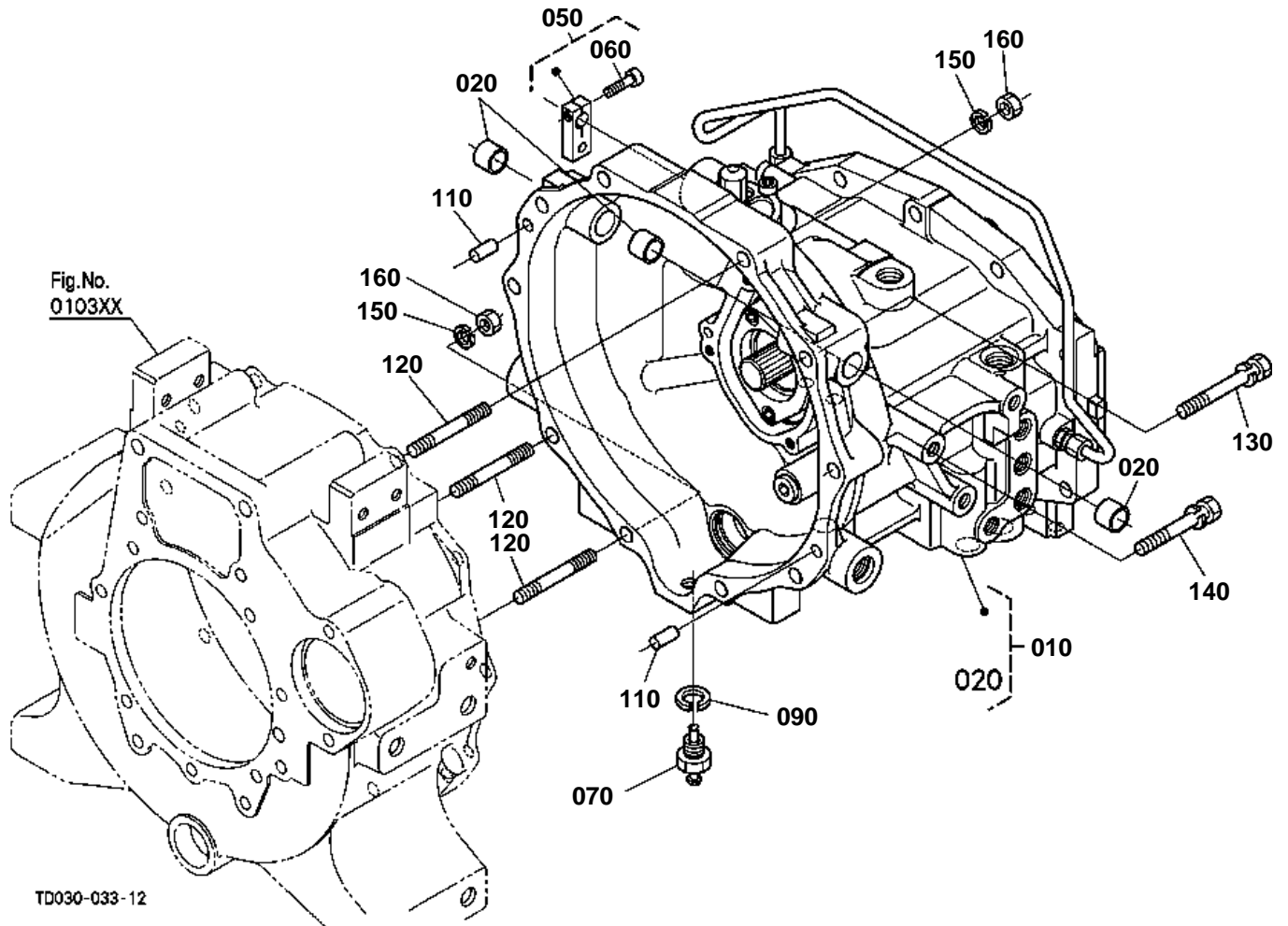


**CLUTCH HOUSING [GST TYPE]**

↔ Interchangeable; ≠ not interchangeable; ← new for old; → old for new

REF.No	Part No.	Description	Q'ty	S.No.	I/C	REMARKS	Weight (kgf)	Weight (lb)
010	TD060-69992	ASSY HOUSING CLUTCH	1	<=30115			0	0
010	TD060-69993	ASSY HOUSING CLUTCH	1	>=30116	←		34	74.8
020	08511-01915	BUSH	3				0.01	0.022
030	15512-96010	PLUG DRAIN	1				0.101	0.2222
040	04717-02150	WASHER WITH RUBBER	1				0.004	0.0088
050	32430-14270	KIT PLUG	1				0.04	0.088
060	99999-99999	BLANK	0				0	0
070	04512-60140	WASHER SPRING	1				0.008	0.0176
080	32210-27580	PLUG	6				0.001	0.0022
090	05012-01018	PIN STRAIGHT	2				0.012	0.0264
100	01574-51265	STUD	6				0.067	0.1474
110	01133-51280	BOLT	2				0.07	0.154
120	01133-51265	BOLT	2				0.065	0.143
130	04512-60120	WASHER SPRING	6				0.005	0.011
140	02176-50120	NUT	6				0.01	0.022
150	TD060-20250	HOLDER BEARING	1				1.07	2.354
160	05012-00818	PIN STRAIGHT	2				0.013	0.0286
170	01133-51040	BOLT	4				0.03	0.066

CLUTCH HOUSING [HST TYPE]

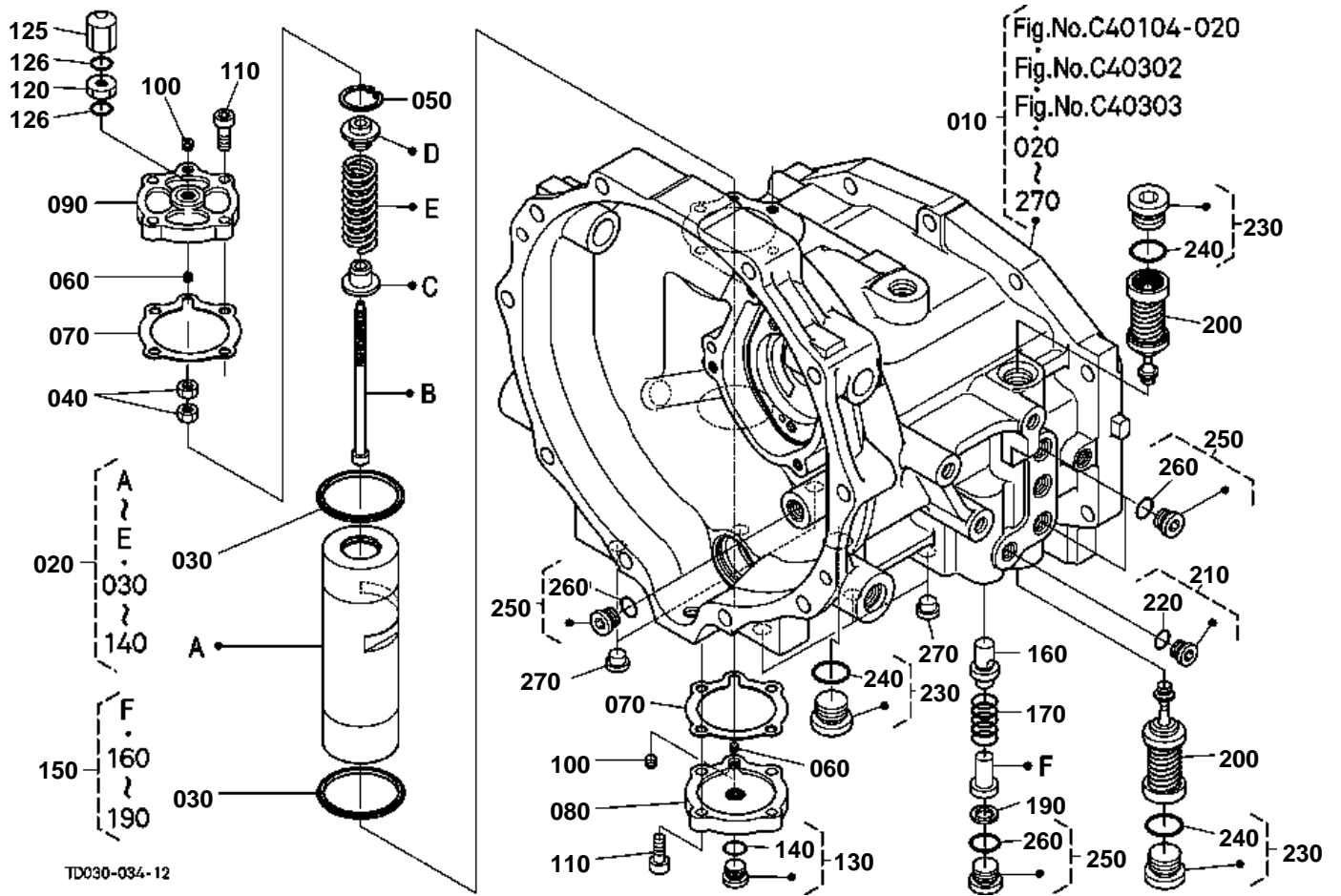


**CLUTCH HOUSING [HST TYPE]**

↔ Interchangeable; ≠ not interchangeable; ← new for old; → old for new

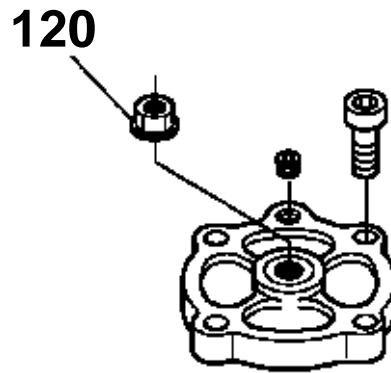
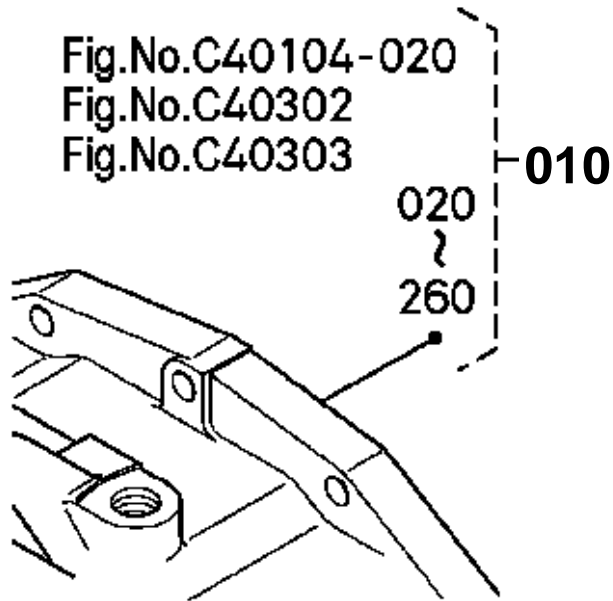
REF.No	Part No.	Description	Q'ty	S.No.	I/C	REMARKS	Weight (kgf)	Weight (lb)
010	TD060-59992	ASSY HST	1	<=32969			0	0
010	TD060-59993	ASSY HST	1	>=32970	←		0	0
010	TD020-59990	ASSY HST	1	>=38033	≠		0	0
020	08511-01915	BUSH	3				0.01	0.022
030	99999-99999	BLANK	0				0	0
040	99999-99999	BLANK	0				0	0
050	TA240-59550	ASSY LEVER REGULATOR	1				0.05	0.11
060	01350-10520	BOLT HEX-SOC-HD	1				0.004	0.0088
070	32430-14270	KIT PLUG	1				0.04	0.088
080	99999-99999	BLANK	0				0	0
090	04512-60140	WASHER SPRING	1				0.008	0.0176
100	99999-99999	BLANK	0				0	0
110	05012-01018	PIN STRAIGHT	2				0.012	0.0264
120	01574-51265	STUD	6				0.067	0.1474
130	01133-51280	BOLT	2				0.07	0.154
140	01133-51265	BOLT	2				0.065	0.143
150	04512-60120	WASHER SPRING	6				0.005	0.011
160	02176-50120	NUT	6				0.01	0.022





# OLD PARTS

Fig.No.C40104-020  
Fig.No.C40302  
Fig.No.C40303



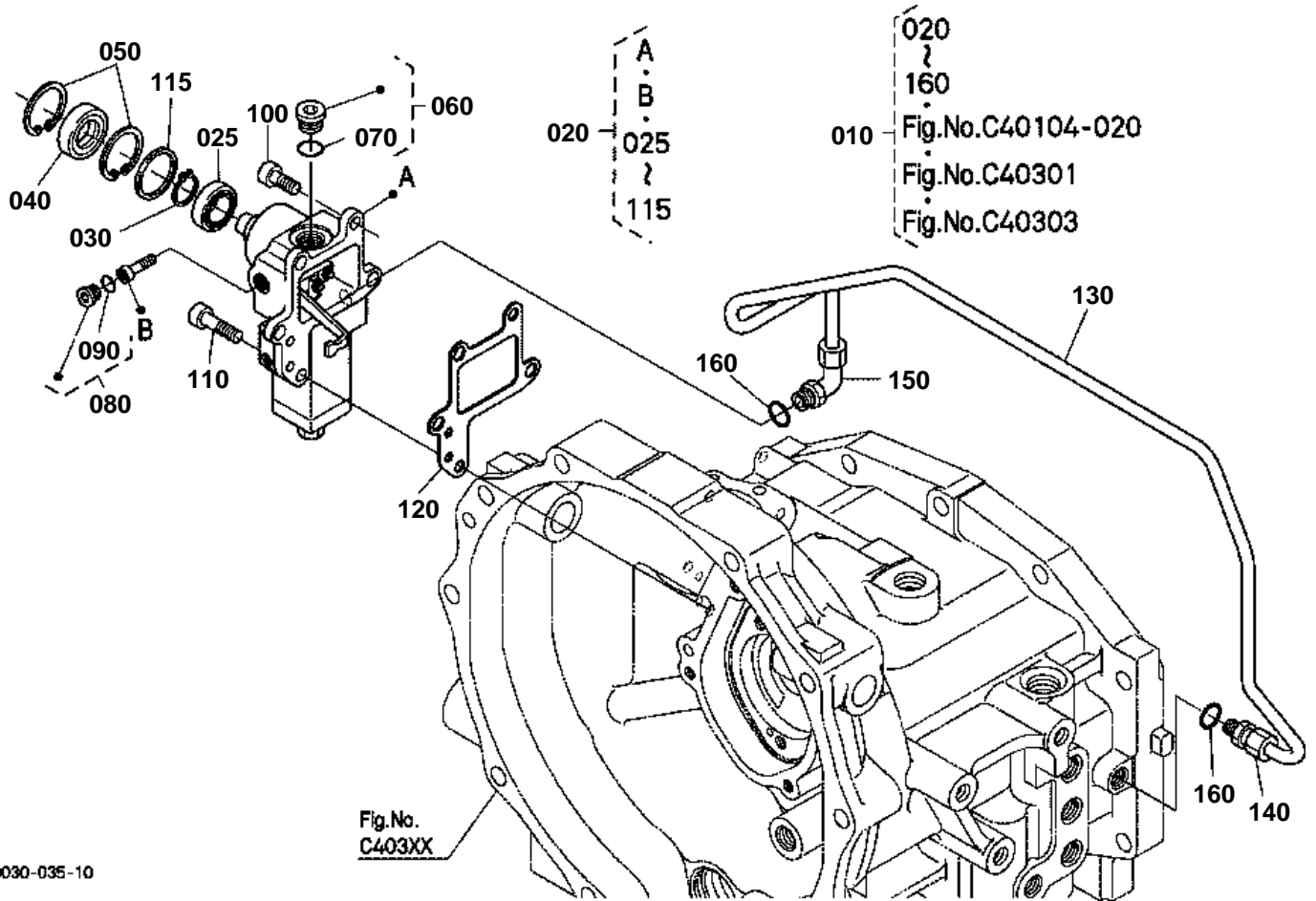
TD030-870-10



HST (PISTON/PLUG) [COMPONENT PARTS] [HST TYPE]

↔ Interchangeable; ≠ not interchangeable; ← new for old; → old for new

REF.No	Part No.	Description	Q'ty	S.No.	I/C	REMARKS	Weight (kgf)	Weight (lb)
010	TD060-59992	ASSY HST	1	<=32969			0	0
010	TD060-59993	ASSY HST	1	>=32970	←		0	0
010	TD020-59990	ASSY HST	1	>=38033	≠		0	0
020	TD060-59100	ASSY PISTON	1				3.7	8.14
030	TD060-59200	GASKET	2				0.005	0.011
040	02052-50080	NUT	2				0.004	0.0088
050	04611-00280	CIR CLIP INTERNAL	1				0.002	0.0044
060	TD060-59180	PLUG	2				0.001	0.0022
070	TD060-59210	GASKET	2				0.01	0.022
080	TD060-59120	COVER PISTON SUPPORT	1				0.115	0.253
090	TD060-59130	COVER PISTON SUPPORT	1	<=32969			0.115	0.253
090	TD060-59132	COVER PISTON SUPPORT	1	>=32970	≠		0.05	0.11
100	TA240-59190	PLUG	2				0.001	0.0022
110	01311-10825	BOLT HEX-SOC-HD	8				0.02	0.044
120	TA240-59280	NUT	1	<=32969			0.007	0.0154
120	TA240-59220	NUT	1	>=32970	≠		0.01	0.022
125	TD060-59230	NUT	1	>=30970			0.045	0.099
126	04817-00110	O RING	2	>=30970			0.001	0.0022
130	TA240-58310	ASSY PLUG	1				0.018	0.0396
140	04810-00110	O RING	1				0	0
140	04817-00110	O RING	1		↔		0.001	0.0022
150	TA240-59600	ASSY VALVE LOW	1	<=38032			0.05	0.11
150	TD020-59600	ASSY VALVE LOW	1	>=38033	≠		0.03	0.066
160	TA240-58920	POPPET	1				0.009	0.0198
170	TA240-59610	SPRING LOW	1	<=38032			0.006	0.0132
170	TD020-59610	SPRING LOW	1	>=38033	≠		0.008	0.0176
180	99999-99999	BLANK	0				0	0
190	TA240-59630	SHIM	1			0.5mm	0.001	0.0022
190	TA240-59640	SHIM	1	>=32970		0.2mm	0.001	0.0022
200	TD060-59000	ASSY VALVE	2				0.045	0.099
210	TA240-58310	ASSY PLUG	1				0.018	0.0396
220	04810-00110	O RING	1				0	0
220	04817-00110	O RING	1		↔		0.001	0.0022
230	TA240-58960	ASSY PLUG	3				0.04	0.088
240	04810-00180	O RING	3				0	0
240	04817-00180	O RING	3		↔		0.003	0.0066
250	TA240-58210	ASSY PLUG	4				0.026	0.0572
260	04810-00140	O RING	4				0	0
260	04817-00140	O RING	4		↔		0.001	0.0022
270	32210-27580	PLUG	6				0.001	0.0022



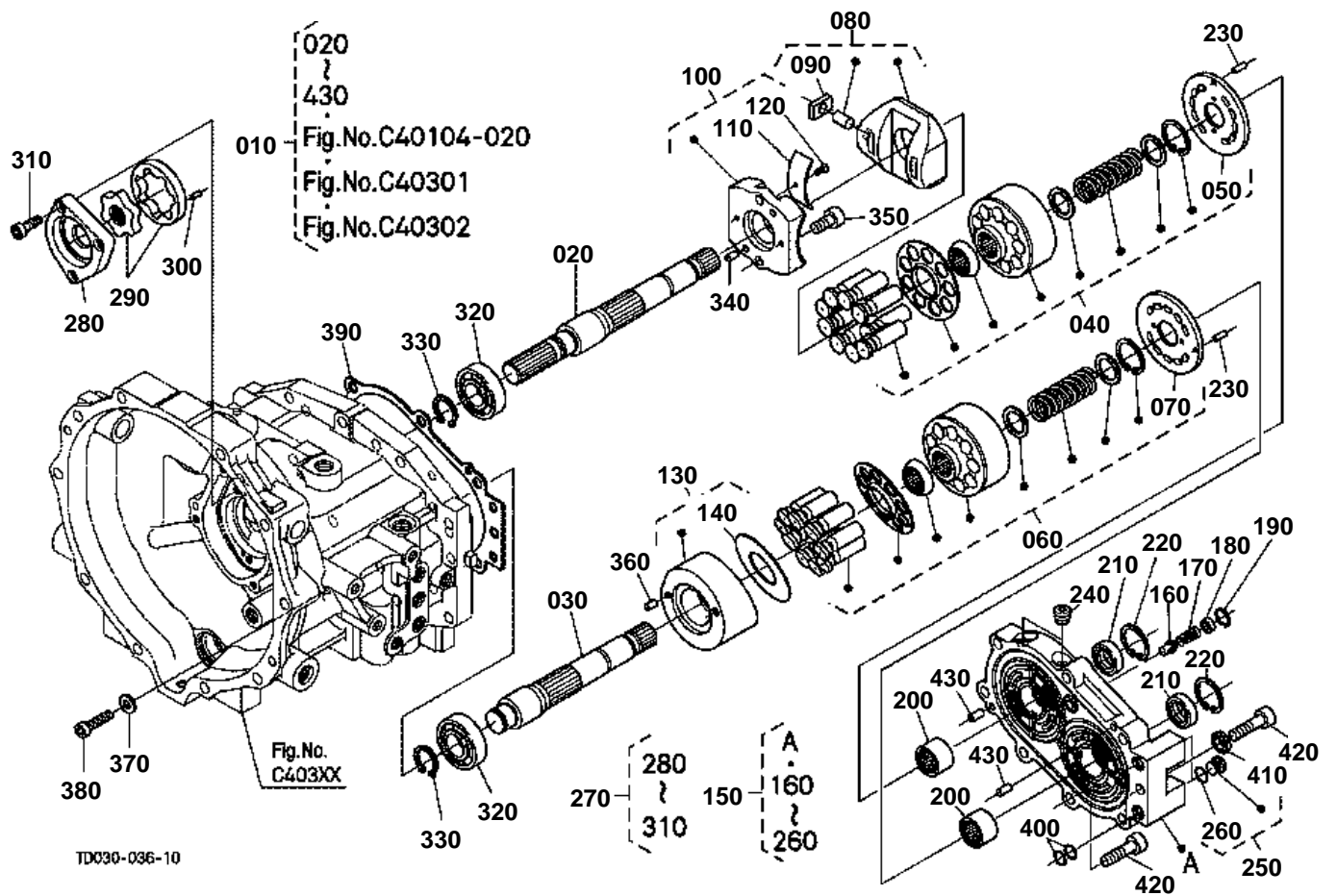
T0030-035-10



HST (REGULATOR/PIPE) [COMPONENT PARTS] [HST TYPE]

↔ Interchangeable; ≠ not interchangeable; ← new for old; → old for new

REF.No	Part No.	Description	Q'ty	S.No.	I/C	REMARKS	Weight (kgf)	Weight (lb)
010	TD060-59992	ASSY HST	1	<=32969			0	0
010	TD060-59993	ASSY HST	1	>=32970	←		0	0
010	TD020-59990	ASSY HST	1	>=38033	≠		0	0
020	TD060-59300	ASSY REGULATOR	1	<=30007			0	0
020	TD060-59302	ASSY REGULATOR	1	>=30008	←		2.2	4.84
025	08101-06804	BEARING BALL	1				0.01	0.022
030	04612-00190	CIR CLIP EXTERNAL	1				0.001	0.0022
040	66363-39560	SEAL OIL	1				0.01	0.022
050	04611-00350	CIR CLIP INTERNAL	2				0.003	0.0066
060	TA240-58210	ASSY PLUG	1				0.026	0.0572
070	04810-00140	O RING	1				0	0
070	04817-00140	O RING	1		↔		0.001	0.0022
080	TA240-58290	ASSY PLUG	1				0.011	0.0242
090	04810-00080	O RING	1				0	0
090	04817-00080	O RING	1		↔		0.001	0.0022
100	01311-10818	BOLT HEX-SOC-HD	4				0.011	0.0242
110	01311-10835	BOLT HEX-SOC-HD	1				0.02	0.044
115	TD060-59350	SPACER RGL.SHAFT	1				0.004	0.0088
120	TD060-58200	GASKET	1				0.006	0.0132
130	TD060-58270	PIPE	1				0.11	0.242
140	TD060-58280	JOINT PIPE	1				0.052	0.1144
150	TD060-58290	JOINT	1				0.089	0.1958
160	04810-00110	O RING	2				0	0
160	04817-00110	O RING	2		↔		0.001	0.0022

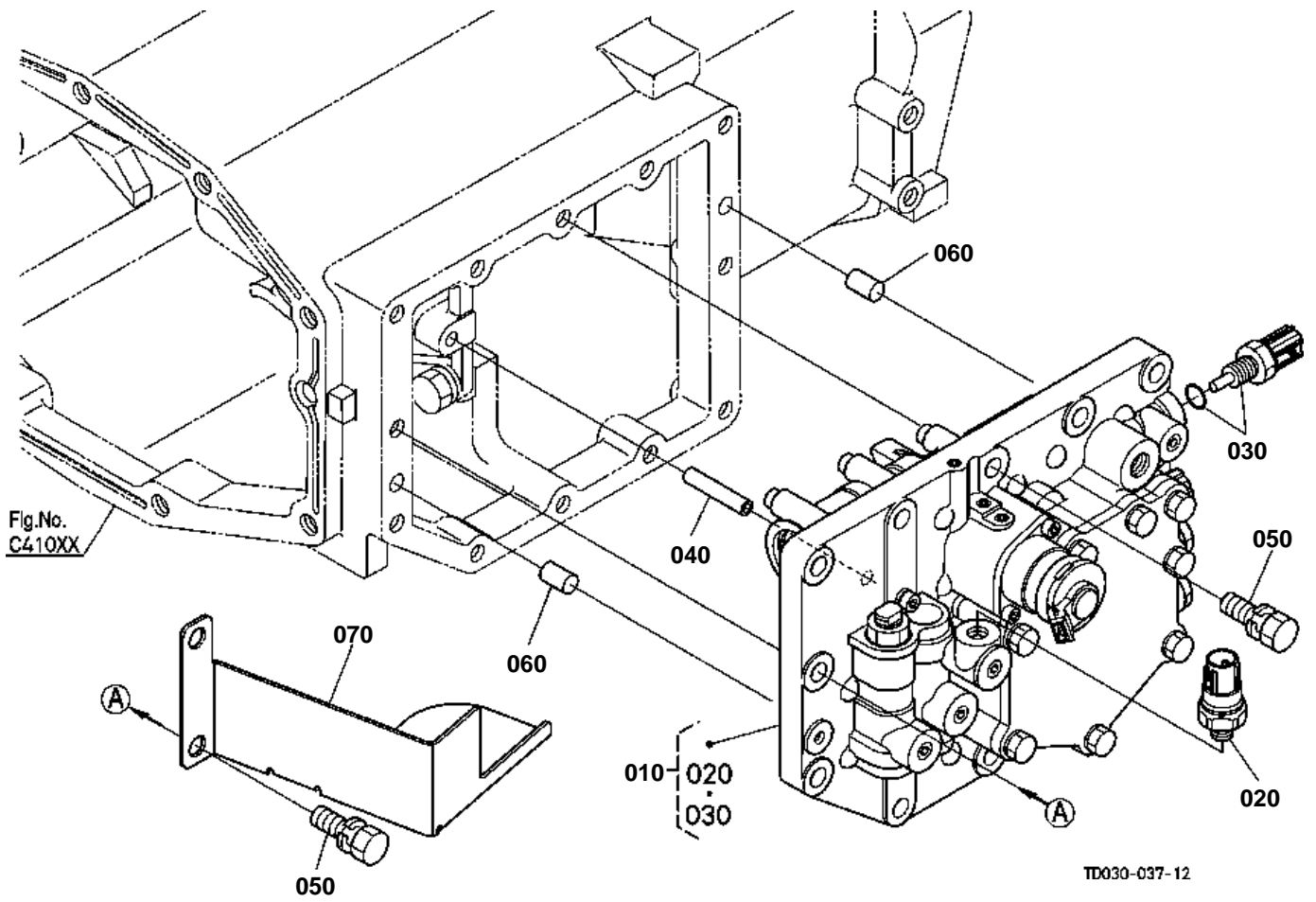




HST (ROTARY) [COMPONENT PARTS] [HST TYPE]

↔ Interchangeable; ≠ not interchangeable; ← new for old; → old for new

REF.No	Part No.	Description	Q'ty	S.No.	I/C	REMARKS	Weight (kgf)	Weight (lb)
010	TD060-59992	ASSY HST	1	<=32969			0	0
010	TD060-59993	ASSY HST	1	>=32970	←		0	0
010	TD020-59990	ASSY HST	1	>=38033	≠		0	0
020	TD060-58120	SHAFT PUMP	1				1.19	2.618
030	TD060-58130	SHAFT MOTOR	1				0.96	2.112
040	TD060-58500	ASSY ROTARY PUMP	1				2.7	5.94
050	TD060-58560	PLATE CONTROL	1				0.24	0.528
060	TD060-58600	ASSY ROTARY MOTOR	1				2.7	5.94
070	TD060-58560	PLATE CONTROL	1				0.24	0.528
080	TD060-58700	ASSY SWASH PLATE	1				1.32	2.904
090	TD060-58150	GUIDE	1				0.025	0.055
100	TD060-58800	ASSY BRACKET	1				0.94	2.068
110	TD060-58820	METAL	2				0.033	0.0726
120	03056-50308	SCREW CSK-HD	2				0.001	0.0022
130	TD060-58850	ASSY SWASH PLATE	1				2.6	5.72
140	TD060-58140	PLATE	1				0.045	0.099
150	TD060-58900	ASSY COVER PORTBLOCK	1				7.15	15.73
160	TA240-58920	POPPET	1				0.009	0.0198
170	TA240-58930	SPRING CASE	1				0.002	0.0044
180	TA240-58940	HOLDER (C)	1				0.004	0.0088
190	04611-00160	CIR CLIP INTERNAL	1				0.001	0.0022
200	TD060-58950	BEARING	2				0.055	0.121
210	58700-11290	SEAL OIL	2				0.012	0.0264
220	04611-00400	CIR CLIP INTERNAL	2				0.005	0.011
230	05012-00614	PIN STRAIGHT	2				0.004	0.0088
240	K7001-39620	PLUG	2				0.005	0.011
250	TA240-58210	ASSY PLUG	2				0.026	0.0572
260	04810-00140	O RING	2				0	0
260	04817-00140	O RING	2		↔		0.001	0.0022
270	TD060-59500	ASSY PUMP	1				0.44	0.968
280	TD060-59510	HOLDER SPRING	1				0.155	0.341
290	TD060-59520	ROTOR	1				0.265	0.583
300	05012-00410	PIN STRAIGHT	2				0.001	0.0022
310	01311-10825	BOLT HEX-SOC-HD	3				0.02	0.044
320	38450-21980	BEARING BALL	2				0.225	0.495
330	04612-00250	CIR CLIP EXTERNAL	2				0.002	0.0044
340	TD060-58310	PIN STRAIGHT	2				0.003	0.0066
350	01315-11025	BOLT HEX-SOC-HD	2				0.024	0.0528
360	05012-00614	PIN STRAIGHT	1				0.004	0.0088
370	31351-16250	WASHER SEAL	1				0.015	0.033
380	01311-10830	BOLT HEX-SOC-HD	1				0.015	0.033
390	TD060-58190	GASKET	1				0.03	0.066
400	04811-00140	O RING	4				0	0
400	04816-00140	O RING	4		↔		0.002	0.0044
410	04717-01200	WASHER WITH RUBBER	1				0.002	0.0044
420	TA240-58240	BOLT HEX-SOC-HD	8				0.051	0.1122
430	05012-00816	PIN STRAIGHT	2				0.007	0.0154





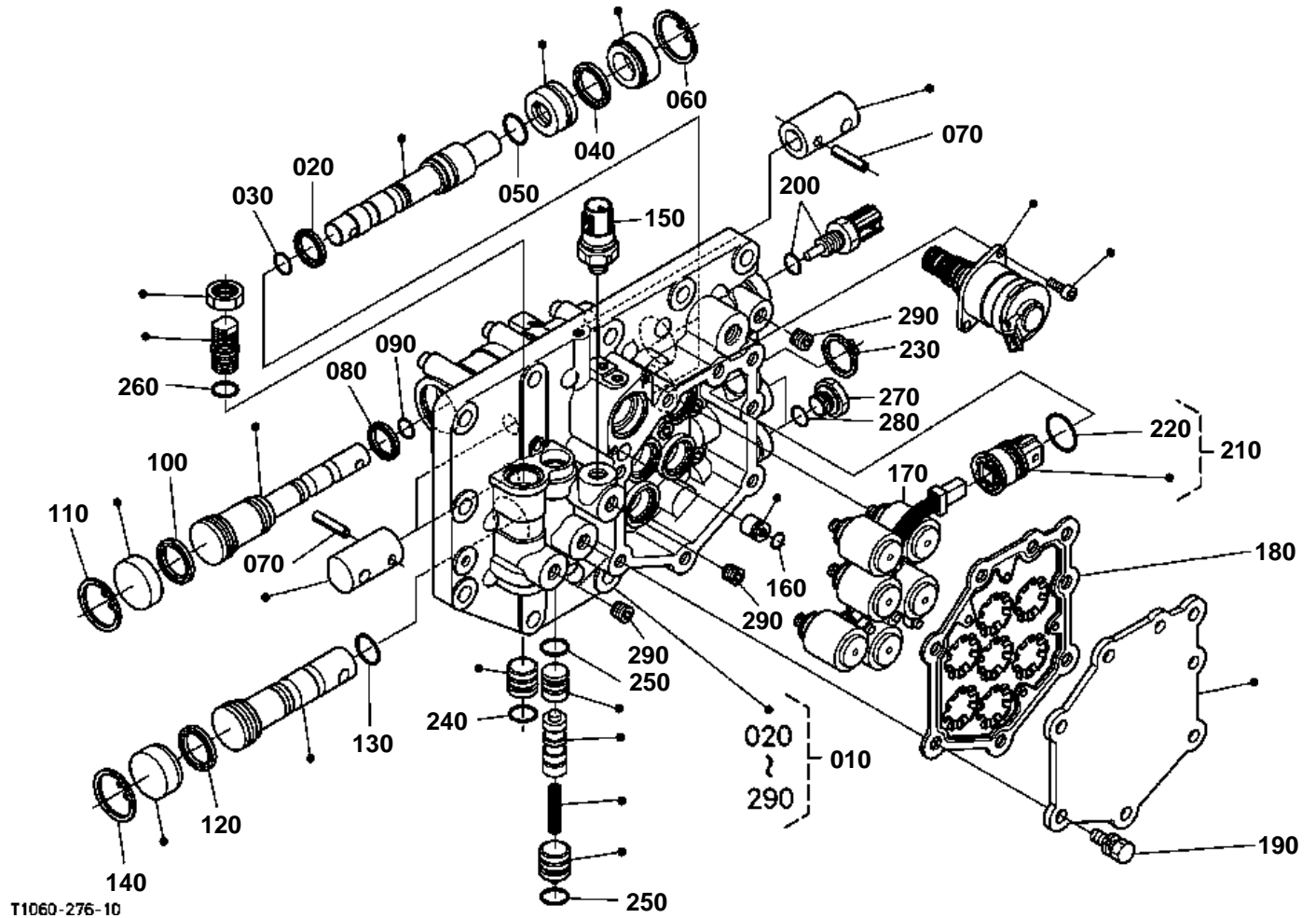


## GST VALVE [GST TYPE]

↔ Interchangeable; ≠ not interchangeable; ← new for old; → old for new

REF.No	Part No.	Description	Q'ty	S.No.	I/C	REMARKS	Weight (kgf)	Weight (lb)
010	T1063-65004	ASSY VALVE GST	1				8.2	18.04
020	T1063-65560	SWITCH	1				0.038	0.0836
030	T1063-65660	SENSOR THERMO	1				0.03	0.066
040	36530-27273	PIPE HYDRAULIC	1				0.005	0.011
050	01133-51030	BOLT	12				0.025	0.055
060	05012-01016	PIN STRAIGHT	2				0.01	0.022
070	TD060-65910	COVER HARNESS GST	1				0.225	0.495

GST VALVE [COMPONENT PARTS] [GST TYPE]

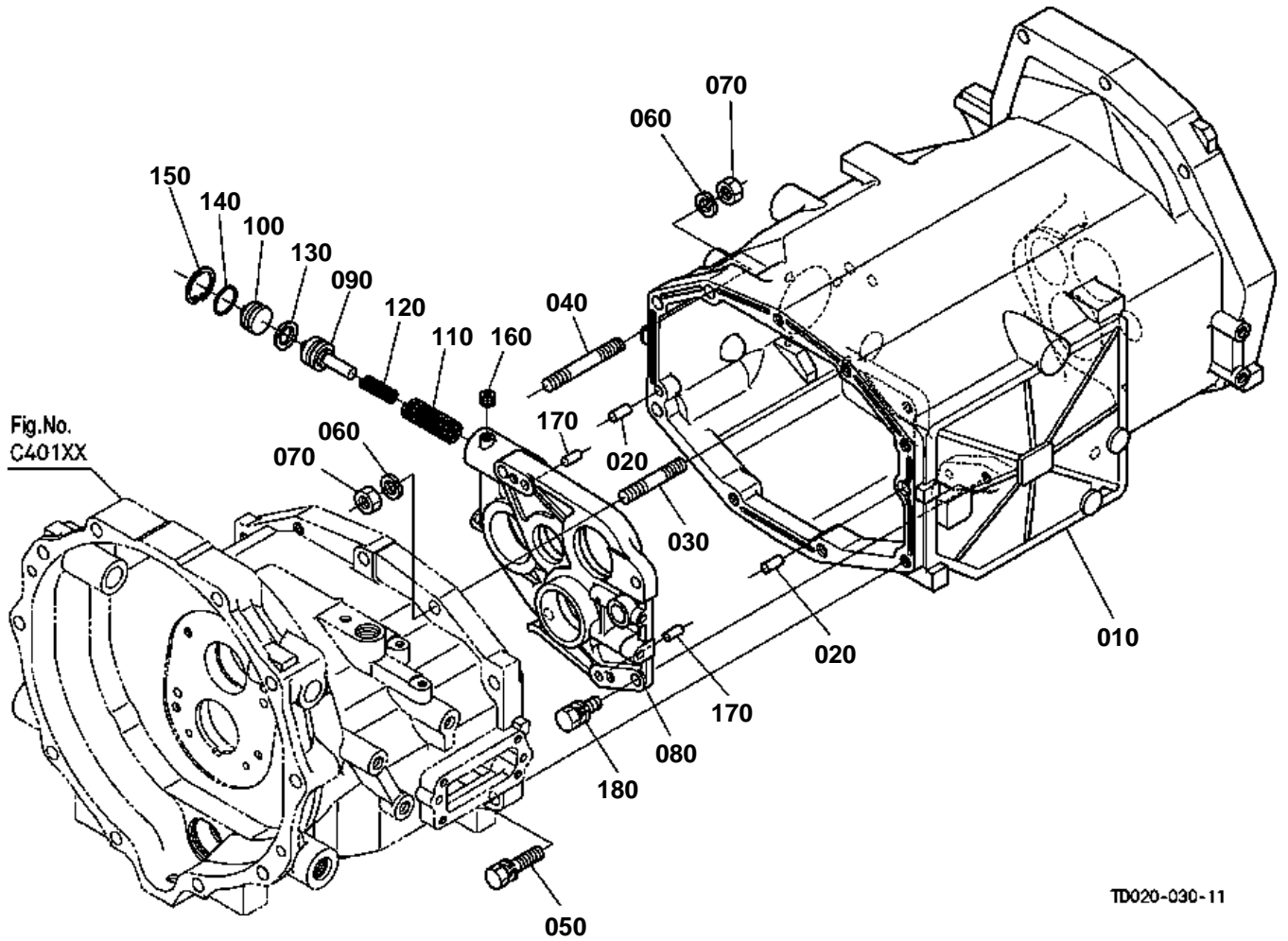




## GST VALVE [COMPONENT PARTS] [GST TYPE]

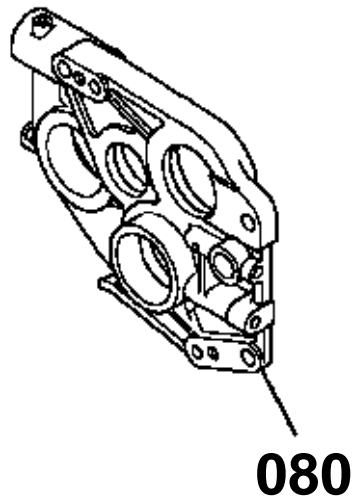
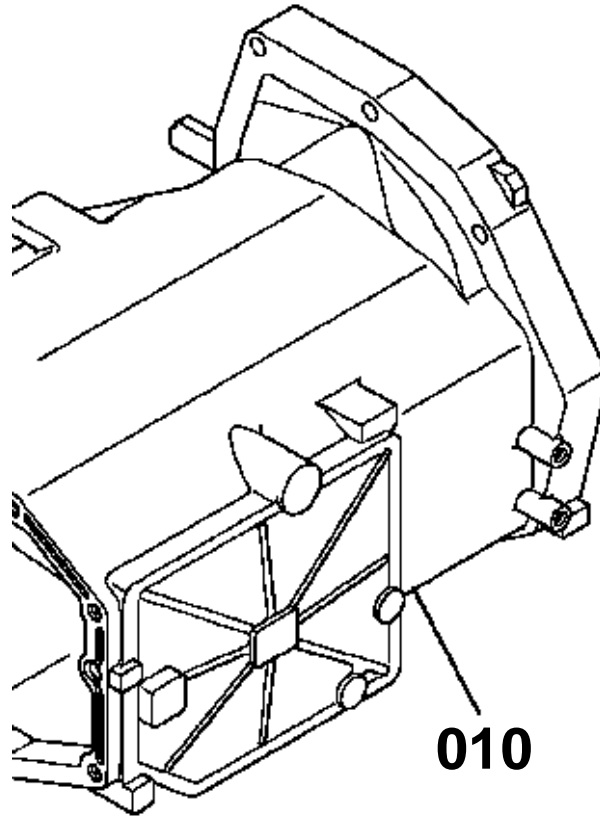
↔ Interchangeable; ≠ not interchangeable; ← new for old; → old for new

REF.No	Part No.	Description	Q'ty	S.No.	I/C	REMARKS	Weight (kgf)	Weight (lb)
010	T1063-65004	ASSY VALVE GST	1				8.2	18.04
020	T1063-65140	SEAL PISTON	2				0.002	0.0044
030	04816-06100	O RING	2				0.001	0.0022
040	T1063-65170	SEAL PISTON	2				0.003	0.0066
050	04816-00160	O RING	2				0.003	0.0066
060	04611-00320	CIR CLIP INTERNAL	2				0.002	0.0044
070	05411-00625	PIN SPRING	3				0.004	0.0088
080	34076-65220	SEAL PISTON	1				0.005	0.011
090	04816-06100	O RING	1				0.001	0.0022
100	T1063-65170	SEAL PISTON	1				0.003	0.0066
110	04611-00320	CIR CLIP INTERNAL	1				0.002	0.0044
120	T1063-65170	SEAL PISTON	1				0.003	0.0066
130	04816-00160	O RING	1				0.003	0.0066
140	04611-00320	CIR CLIP INTERNAL	1				0.002	0.0044
150	T1063-65560	SWITCH	1				0.038	0.0836
160	04816-00080	O RING	1				0.002	0.0044
170	T1063-65600	COMP.VALVE	1				0.62	1.364
180	T1063-65642	GASKET	1				0	0
190	01123-50820	BOLT	8				0.011	0.0242
200	T1063-65660	SENSOR THERMO	1				0.03	0.066
210	T1063-65620	CONNECTOR	1				0.011	0.0242
220	04816-00180	O RING	1				0.002	0.0044
230	04612-00220	CIR CLIP EXTERNAL	1				0.001	0.0022
240	04816-00140	O RING	1				0.002	0.0044
250	04816-00140	O RING	2				0.002	0.0044
260	04816-00120	O RING	1				0.001	0.0022
270	35080-41280	PLUG	2				0.025	0.055
280	04816-00110	O RING	2				0.001	0.0022
290	67511-36640	PLUG	4				0.003	0.0066



TD020-030-11

# OLD PARTS



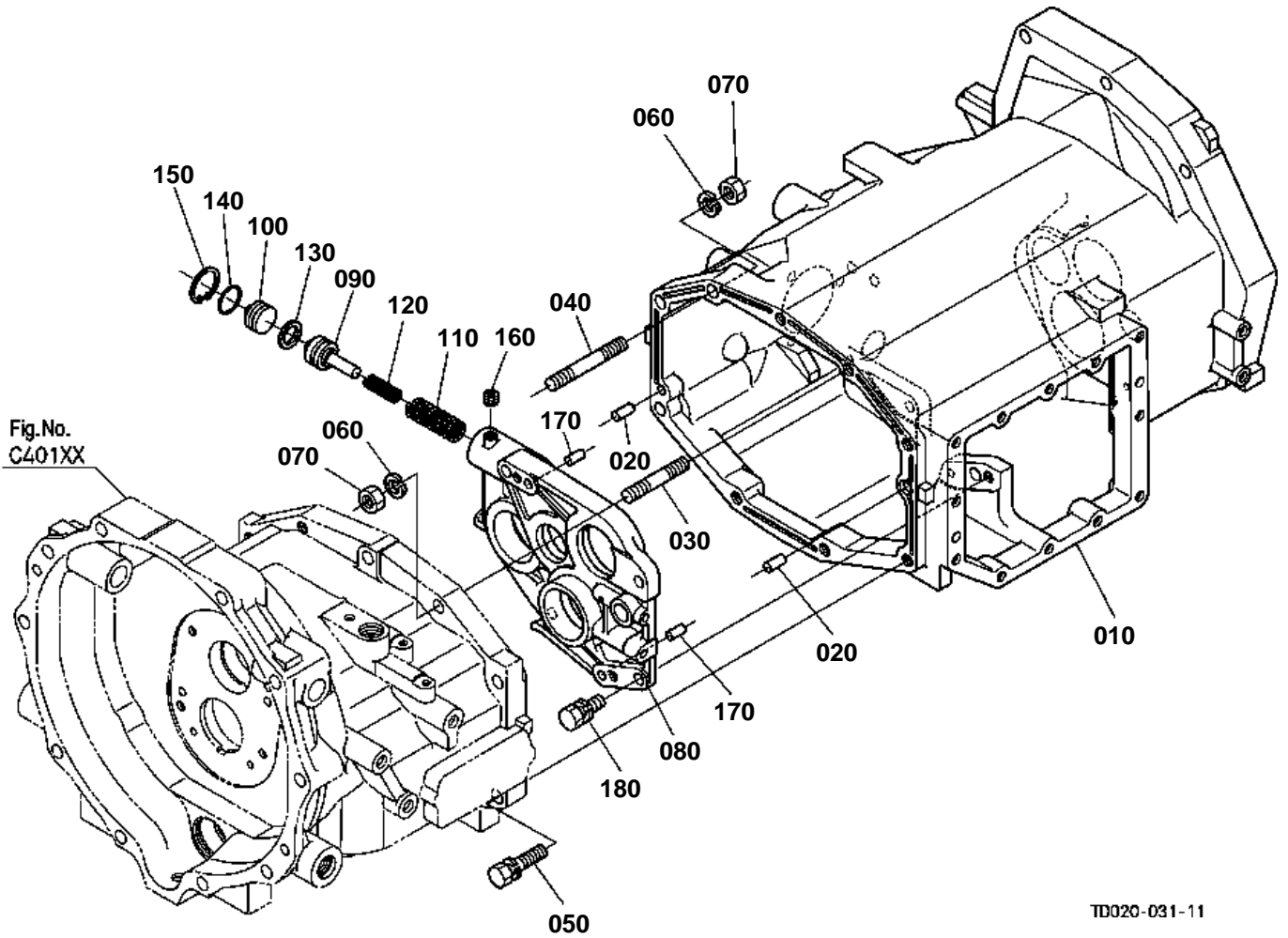
TD060-813-10



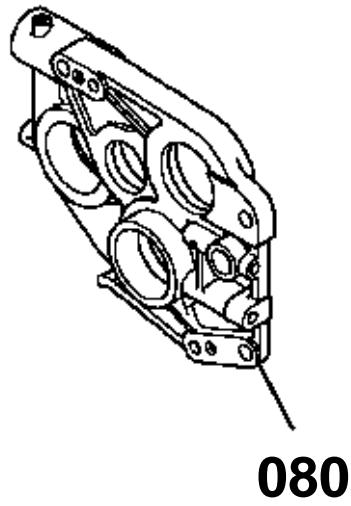
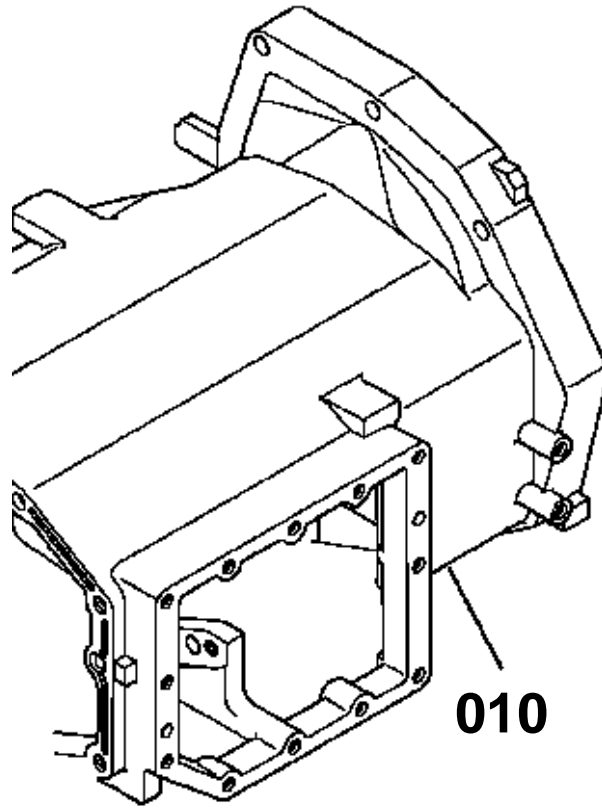
## MID CASE [MANUAL T/M TYPE]

↔ Interchangeable; ≠ not interchangeable; ← new for old; → old for new

REF.No	Part No.	Description	Q'ty	S.No.	I/C	REMARKS	Weight (kgf)	Weight (lb)
010	TD020-20300	CASE MID	1	<=38032			0	0
010	TD020-20306	CASE MID	1	>=38033	←		44	96.8
020	05012-01018	PIN STRAIGHT	2				0.012	0.0264
030	35340-14182	STUD	6				0.05	0.11
040	35340-27380	STUD	1				0.08	0.176
050	01138-51240	BOLT	2				0.046	0.1012
060	04512-60120	WASHER SPRING	7				0.005	0.011
070	35340-27360	NUT	7				0.015	0.033
080	TD020-20350	HOLDER MID-BRG.	1	<=38913			3.8	8.36
080	TD020-20353	HOLDER MID-BRG.	1	>=38914	←		3.8	8.36
090	TA040-69210	PISTON	1				0.09	0.198
100	TA040-69220	COVER	1				0.06	0.132
110	TA040-69230	SPRING	1				0.039	0.0858
120	TA040-69240	SPRING	1				0.024	0.0528
130	34076-65170	SEAL PISTON	1				0.005	0.011
140	04817-06230	O RING	1				0.001	0.0022
150	04611-00280	CIR CLIP INTERNAL	1				0.002	0.0044
160	32420-67380	PLUG	1				0.005	0.011
170	05012-00818	PIN STRAIGHT	2				0.013	0.0286
180	01133-51035	BOLT	4				0.03	0.066



# OLD PARTS



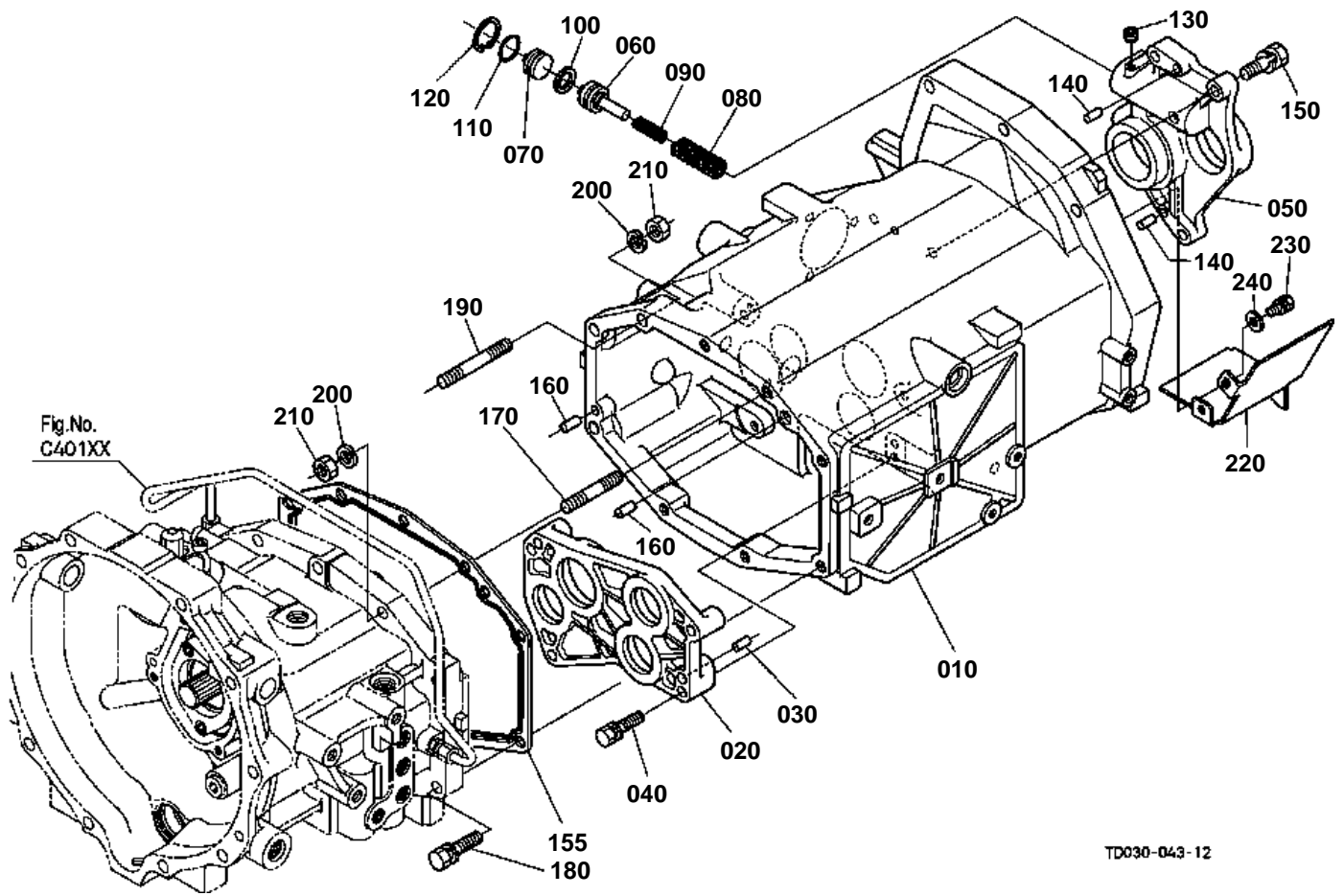
TD060-814-10



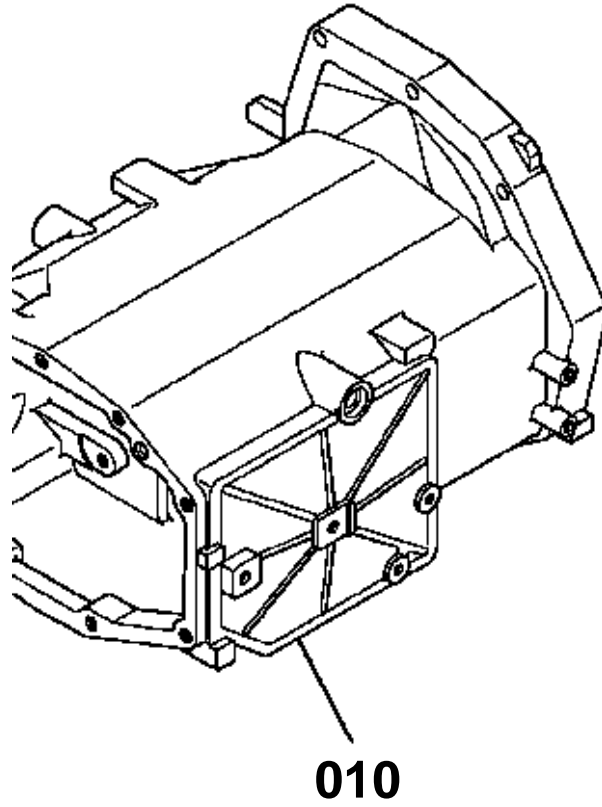
**MID CASE [GST TYPE]**

↔ Interchangeable; ≠ not interchangeable; ← new for old; → old for new

REF.No	Part No.	Description	Q'ty	S.No.	I/C	REMARKS	Weight (kgf)	Weight (lb)
010	TD020-60300	CASE MID GST	1	<=38032			0	0
010	TD020-60306	CASE MID GST	1	>=38033	←		42	92.4
020	05012-01018	PIN STRAIGHT	2				0.012	0.0264
030	35340-14182	STUD	6				0.05	0.11
040	35340-27380	STUD	1				0.08	0.176
050	01138-51240	BOLT	2				0.046	0.1012
060	04512-60120	WASHER SPRING	7				0.005	0.011
070	35340-27360	NUT	7				0.015	0.033
080	TD020-20350	HOLDER MID-BRG.	1	<=38913			3.8	8.36
080	TD020-20353	HOLDER MID-BRG.	1	>=38914	←		3.8	8.36
090	TA040-69210	PISTON	1				0.09	0.198
100	TA040-69220	COVER	1				0.06	0.132
110	TA040-69230	SPRING	1				0.039	0.0858
120	TA040-69240	SPRING	1				0.024	0.0528
130	34076-65170	SEAL PISTON	1				0.005	0.011
140	04817-06230	O RING	1				0.001	0.0022
150	04611-00280	CIR CLIP INTERNAL	1				0.002	0.0044
160	32420-67380	PLUG	1				0.005	0.011
170	05012-00818	PIN STRAIGHT	2				0.013	0.0286
180	01133-51035	BOLT	4				0.03	0.066



# OLD PARTS

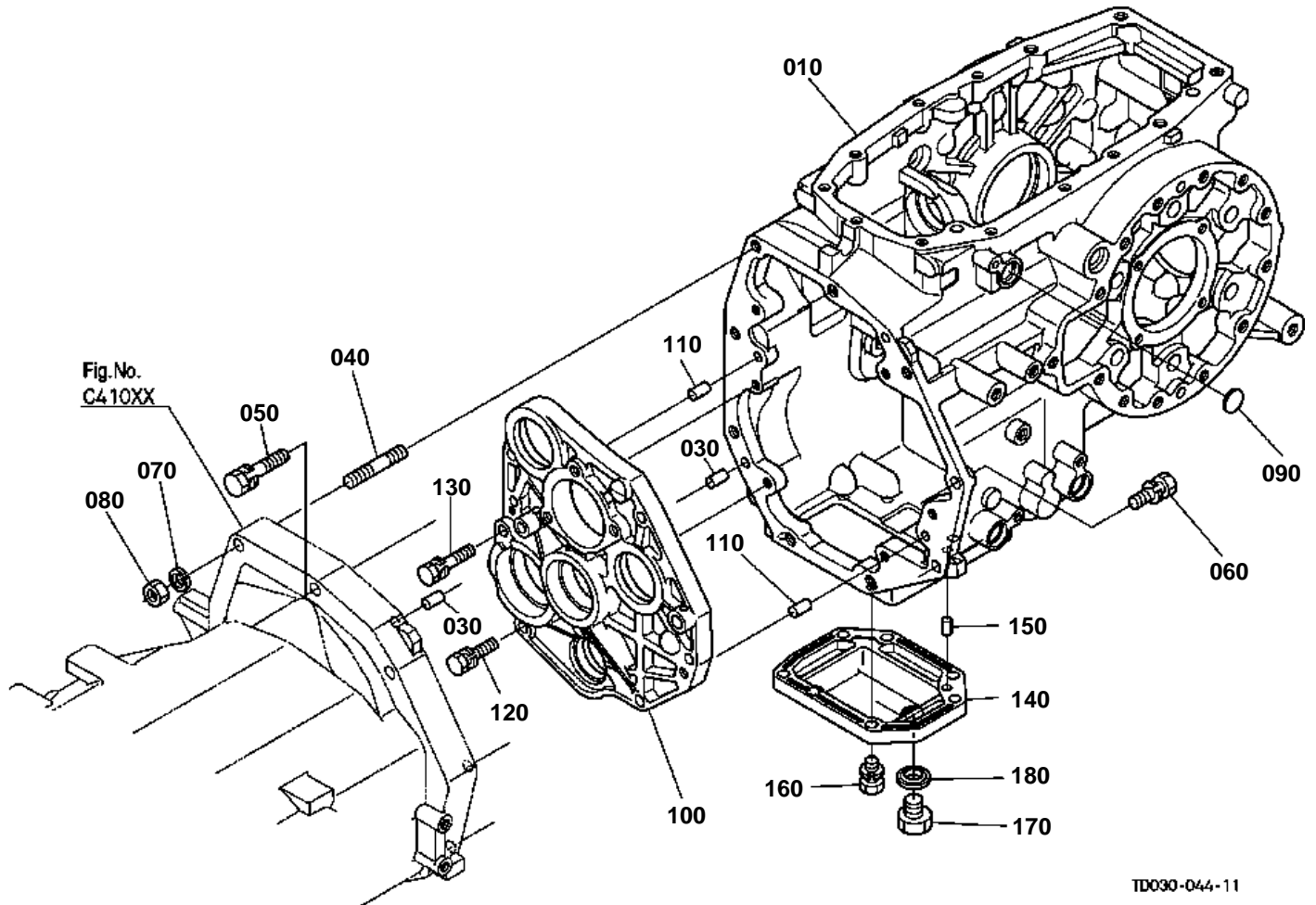


TD060-815-10

**MID CASE [HST TYPE]**

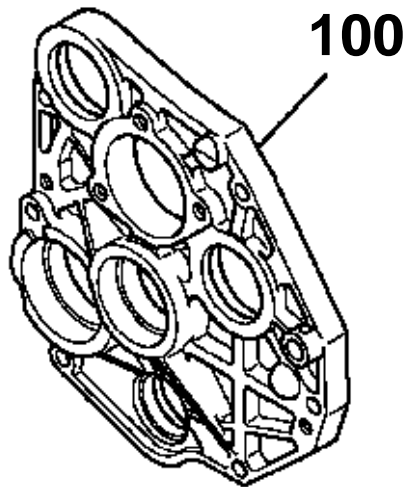
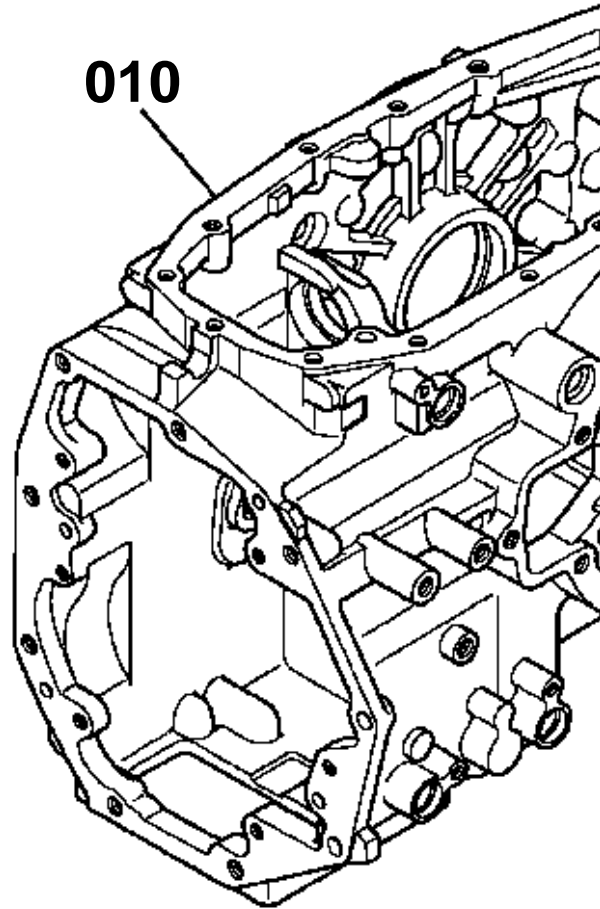
↔ Interchangeable; ≠ not interchangeable; ← new for old; → old for new

REF.No	Part No.	Description	Q'ty	S.No.	I/C	REMARKS	Weight (kgf)	Weight (lb)
010	TD060-50324	CASE MID HST	1	<=30115			0	0
010	TD060-50325	CASE MID HST	1	>=30116	←		44	96.8
010	TD060-50327	CASE MID HST	1	>=38033	←		43.64	96.008
020	TD060-50330	HOLDER BEARING	1				0.775	1.705
030	05012-00818	PIN STRAIGHT	2				0.013	0.0286
040	01133-51055	BOLT	4				0.039	0.0858
050	TD060-51350	HOLDER BEARING	1				2.6	5.72
060	TA040-69210	PISTON	1				0.09	0.198
070	TA040-69220	COVER	1				0.06	0.132
080	TA040-69230	SPRING	1				0.039	0.0858
090	TA040-69240	SPRING	1				0.024	0.0528
100	34076-65170	SEAL PISTON	1				0.005	0.011
110	04817-06230	O RING	1				0.001	0.0022
120	04611-00280	CIR CLIP INTERNAL	1				0.002	0.0044
130	32420-67380	PLUG	1				0.005	0.011
140	05012-00818	PIN STRAIGHT	2				0.013	0.0286
150	01133-51040	BOLT	3				0.03	0.066
155	TD060-50290	GASKET MID CASE	1				0.02	0.044
160	05012-01018	PIN STRAIGHT	2				0.012	0.0264
170	35340-14182	STUD	6				0.05	0.11
180	01138-51240	BOLT	2				0.046	0.1012
190	35340-27380	STUD	1				0.08	0.176
200	04512-60120	WASHER SPRING	7				0.005	0.011
210	35340-27360	NUT	7				0.015	0.033
220	TD060-50350	PLATE OIL	1	>=30116			0.08	0.176
230	01123-60816	BOLT	2	>=30116			0.01	0.022
240	04013-60080	WASHER PLAIN	2	>=30116			0.002	0.0044



TD030-044-11

# OLD PARTS



TD060-816-10

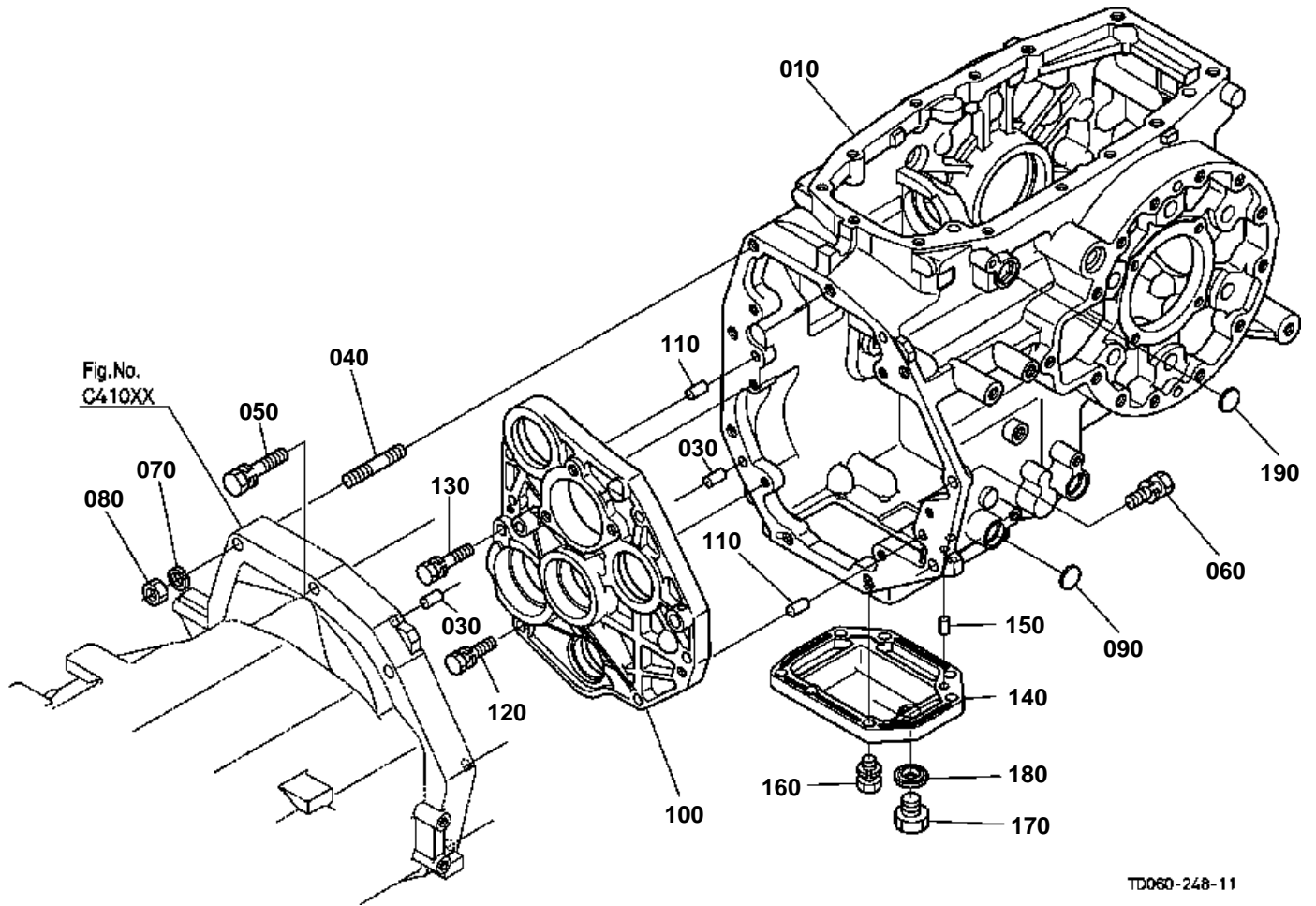


## TRANSMISSION CASE [MANUAL T/M TYPE]

↔ Interchangeable; ≠ not interchangeable; ← new for old; → old for new

REF.No	Part No.	Description	Q'ty	S.No.	I/C	REMARKS	Weight (kgf)	Weight (lb)
010	TD030-20403	CASE TRANSMISSION	1	<=38032			0	0
010	TD030-20406	CASE TRANSMISSION	1	>=38033	←		46	101.2
020	99999-99999	BLANK	0				0	0
030	05012-01018	PIN STRAIGHT	2				0.012	0.0264
040	TA150-28910	STUD	6				0.06	0.132
050	01138-51260	BOLT	1				0.32	0.704
060	01138-51235	BOLT	2				0.21	0.462
070	04512-60120	WASHER SPRING	6				0.005	0.011
080	35340-27360	NUT	6				0.015	0.033
090	34076-60470	PLUG	1				0.005	0.011
100	TD040-20450	HOLDER BEARING	1	<=38913			0	0
100	TD040-20452	HOLDER BEARING	1	>=38914	←		6	13.2
110	05012-01018	PIN STRAIGHT	2				0.012	0.0264
120	01133-51040	BOLT	5				0.03	0.066
130	01133-51045	BOLT	1				0.034	0.0748
140	TD060-25250	COVER M-PTO	1				1.56	3.432
150	05012-01018	PIN STRAIGHT	2				0.012	0.0264
160	01133-51030	BOLT	6				0.025	0.055
170	15512-96010	PLUG DRAIN	1				0.101	0.2222
180	04717-02150	WASHER WITH RUBBER	1				0.004	0.0088

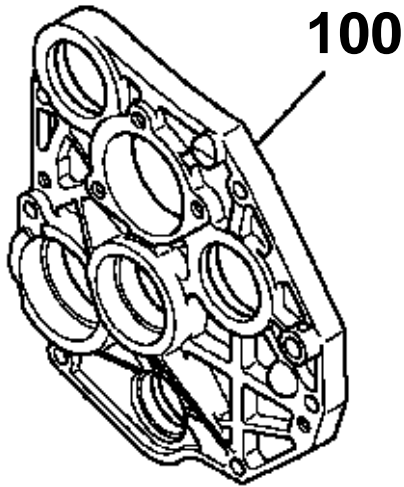
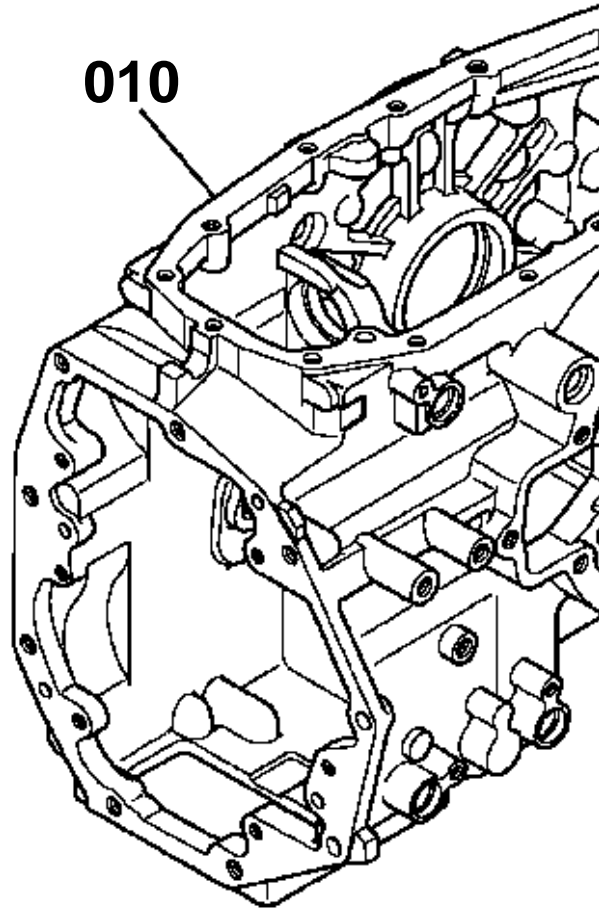
TRANSMISSION CASE [GST TYPE]



TD060-248-11



# OLD PARTS

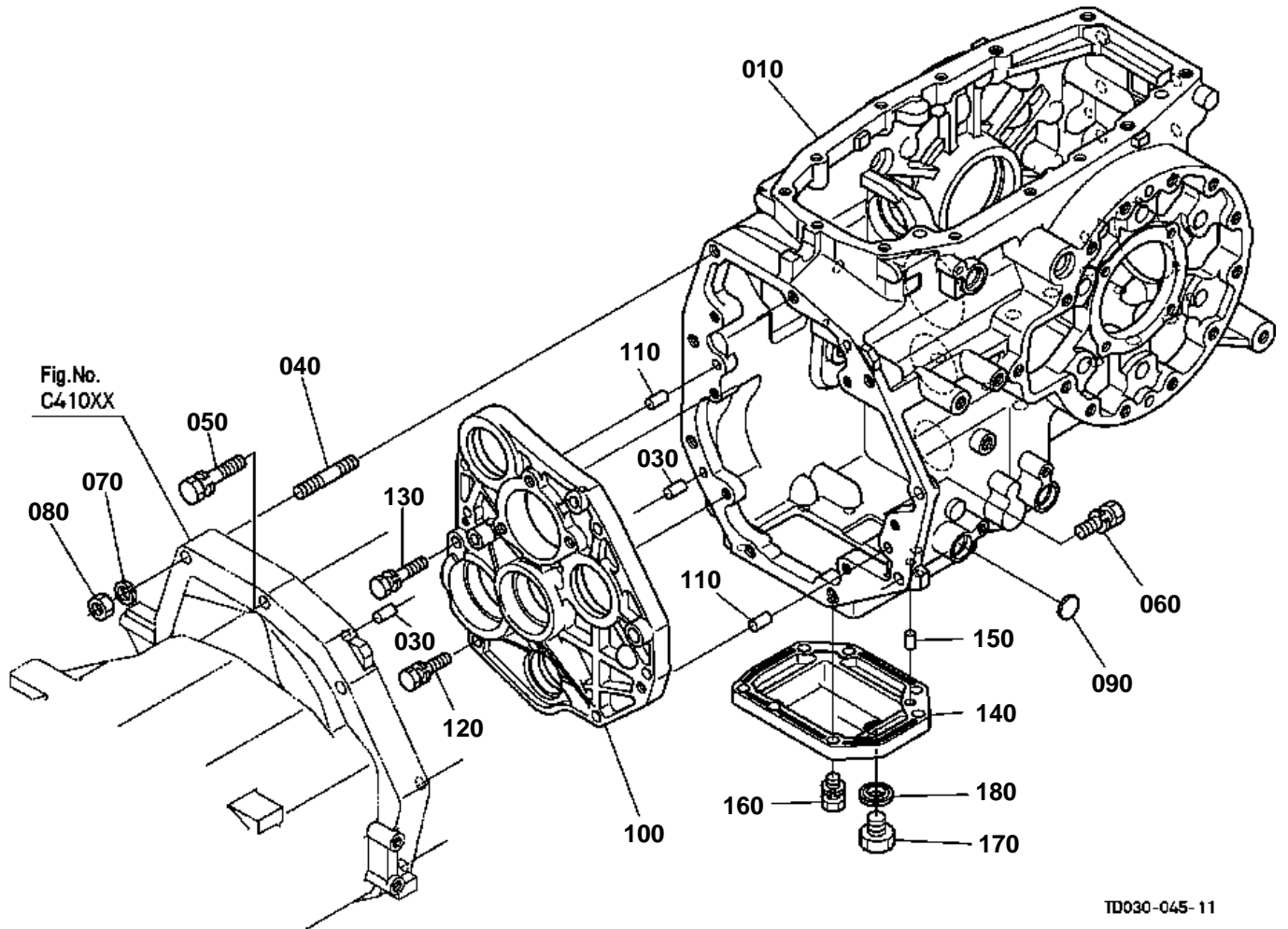


TD060-816-10

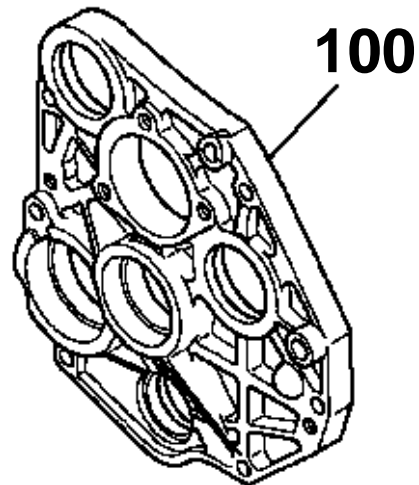
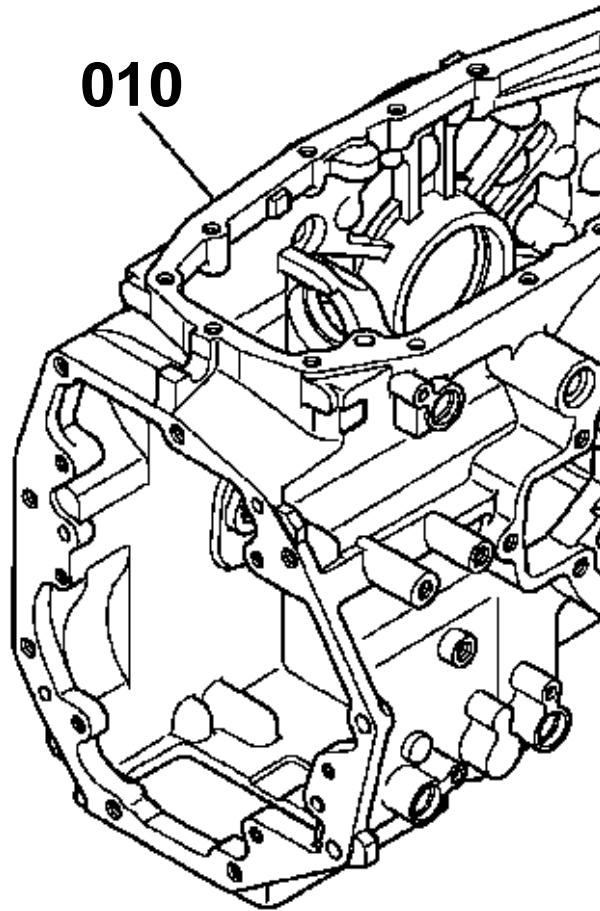
**TRANSMISSION CASE [GST TYPE]**

↔ Interchangeable; ≠ not interchangeable; ← new for old; → old for new

REF.No	Part No.	Description	Q'ty	S.No.	I/C	REMARKS	Weight (kgf)	Weight (lb)
010	TD030-20403	CASE TRANSMISSION	1	<=38032			0	0
010	TD030-20406	CASE TRANSMISSION	1	>=38033	←		46	101.2
020	99999-99999	BLANK	0				0	0
030	05012-01018	PIN STRAIGHT	2				0.012	0.0264
040	TA150-28910	STUD	6				0.06	0.132
050	01138-51260	BOLT	1				0.32	0.704
060	01138-51235	BOLT	2				0.21	0.462
070	04512-60120	WASHER SPRING	6				0.005	0.011
080	35340-27360	NUT	6				0.015	0.033
090	34076-60470	PLUG	1				0.005	0.011
100	TD040-20450	HOLDER BEARING	1	<=38913			0	0
100	TD040-20452	HOLDER BEARING	1	>=38914	←		6	13.2
110	05012-01018	PIN STRAIGHT	2				0.012	0.0264
120	01133-51040	BOLT	5				0.03	0.066
130	01133-51045	BOLT	1				0.034	0.0748
140	TD060-25250	COVER M-PTO	1				1.56	3.432
150	05012-01018	PIN STRAIGHT	2				0.012	0.0264
160	01133-51030	BOLT	6				0.025	0.055
170	15512-96010	PLUG DRAIN	1				0.101	0.2222
180	04717-02150	WASHER WITH RUBBER	1				0.004	0.0088
190	34076-60470	PLUG	1				0.005	0.011



# OLD PARTS



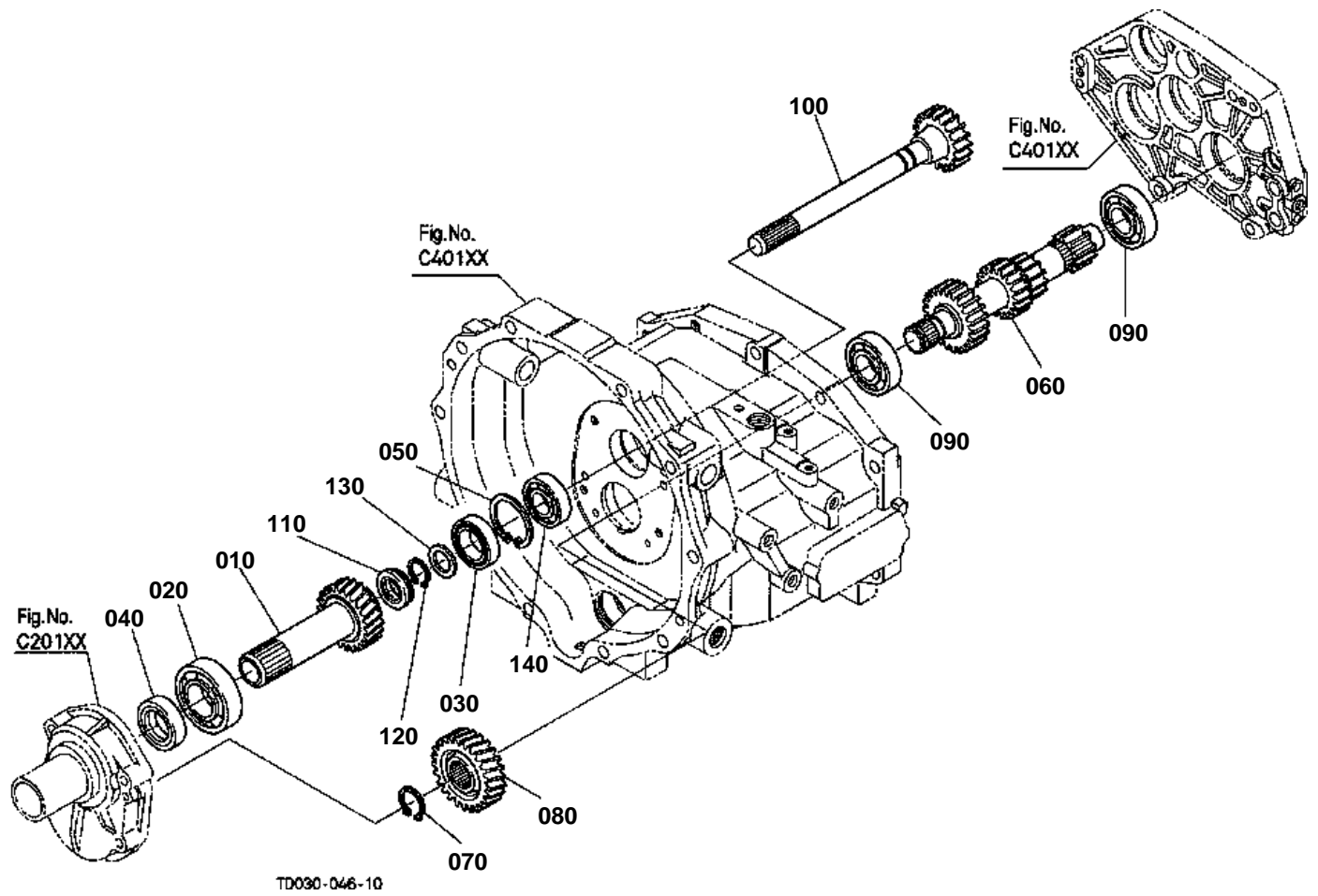
TD060-818-10

**TRANSMISSION CASE [HST TYPE]**

↔ Interchangeable; ≠ not interchangeable; ← new for old; → old for new

REF.No	Part No.	Description	Q'ty	S.No.	I/C	REMARKS	Weight (kgf)	Weight (lb)
010	TD030-20403	CASE TRANSMISSION	1	<=38032			0	0
010	TD030-20406	CASE TRANSMISSION	1	>=38033	←		46	101.2
020	99999-99999	BLANK	0				0	0
030	05012-01018	PIN STRAIGHT	2				0.012	0.0264
040	TA150-28910	STUD	6				0.06	0.132
050	01138-51260	BOLT	1				0.32	0.704
060	01138-51235	BOLT	2				0.21	0.462
070	04512-60120	WASHER SPRING	6				0.005	0.011
080	35340-27360	NUT	6				0.015	0.033
090	34076-60470	PLUG	2				0.005	0.011
100	TD060-50450	HOLDER BEARING	1	<=38913		NOT SALE	6.1	13.42
100	TD060-50452	HOLDER BEARING	1	>=38914	←		6.8	14.96
110	05012-01018	PIN STRAIGHT	2				0.012	0.0264
120	01133-51040	BOLT	5				0.03	0.066
130	01133-51045	BOLT	1				0.034	0.0748
140	TD060-25250	COVER M-PTO	1				1.56	3.432
150	05012-00818	PIN STRAIGHT	2				0.013	0.0286
160	01133-51030	BOLT	6				0.025	0.055
170	15512-96010	PLUG DRAIN	1				0.101	0.2222
180	04717-02150	WASHER WITH RUBBER	1				0.004	0.0088

MAIN SHAFT [EXCEPT HST TYPE]

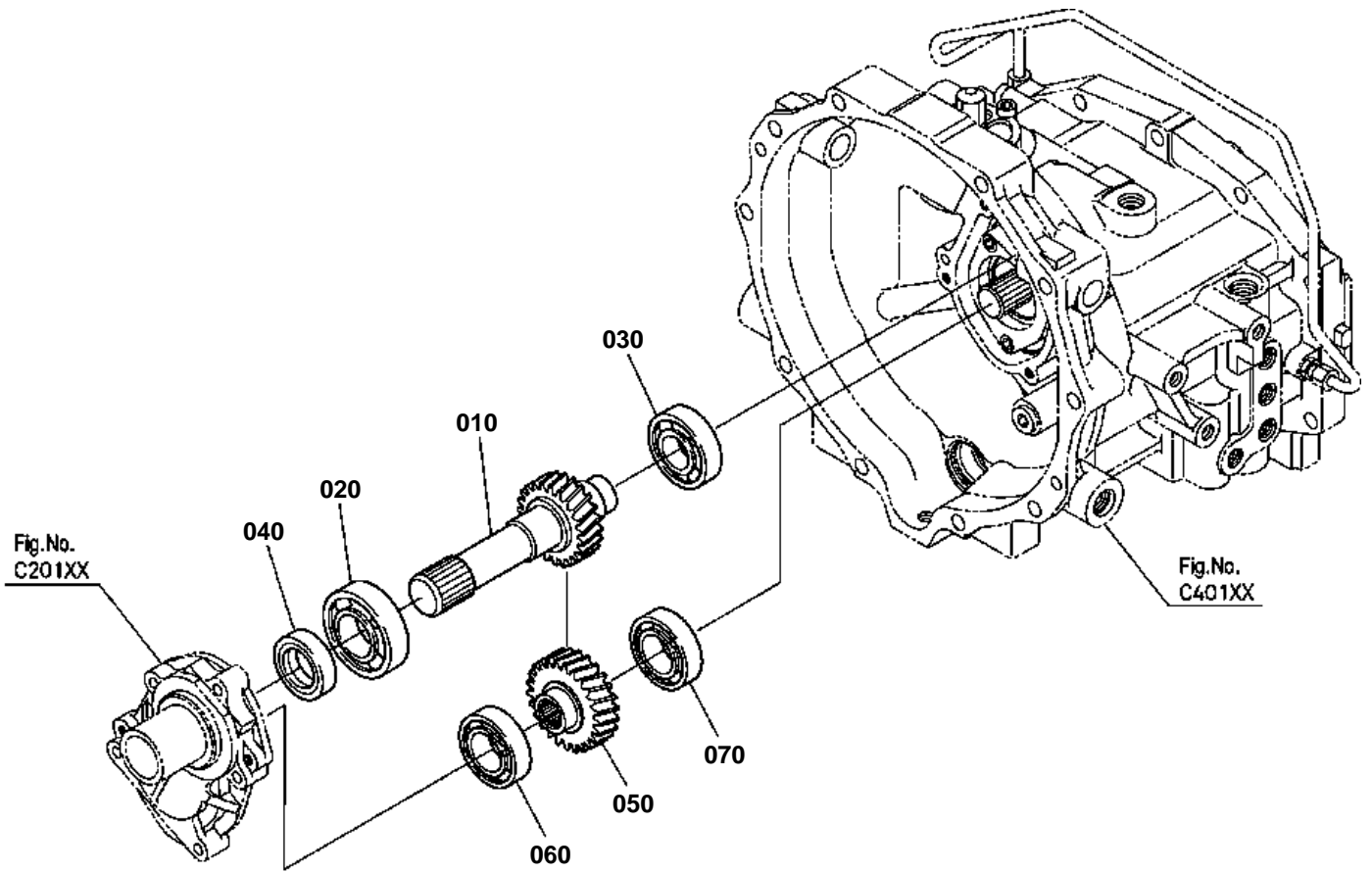


**MAIN SHAFT [EXCEPT HST TYPE]**

↔ Interchangeable; ≠ not interchangeable; ← new for old; → old for new

REF.No	Part No.	Description	Q'ty	S.No.	I/C	REMARKS	Weight (kgf)	Weight (lb)
010	TD050-21300	GEAR-SHAFT	1			23T	0.85	1.87
020	08101-06207	BEARING BALL	1				0.282	0.6204
030	08101-06908	BEARING BALL	1				0.11	0.242
040	09500-35529	SEAL OIL	1				0.017	0.0374
050	04611-00620	CIR CLIP INTERNAL	1				0.011	0.0242
060	TD060-22100	GEAR-SHAFT MAIN	1			22-18-13-10T	2.2	4.84
070	37150-21551	CIR CLIP EXTERNAL	1				0.005	0.011
080	T1040-22110	GEAR	1			27T	0.57	1.254
090	32751-22310	BEARING BALL	2				0.225	0.495
100	TD060-23100	GEAR-SHAFT I-PTO	1			18T	1.34	2.948
110	36730-24330	SEAL FIRST SHAFT	1				0.005	0.011
120	37150-21551	CIR CLIP EXTERNAL	1				0.005	0.011
130	34150-21560	WASHER	1				0.01	0.022
140	35890-41290	BEARING BALL	1				0.233	0.5126

INPUT SHAFT [HST TYPE]



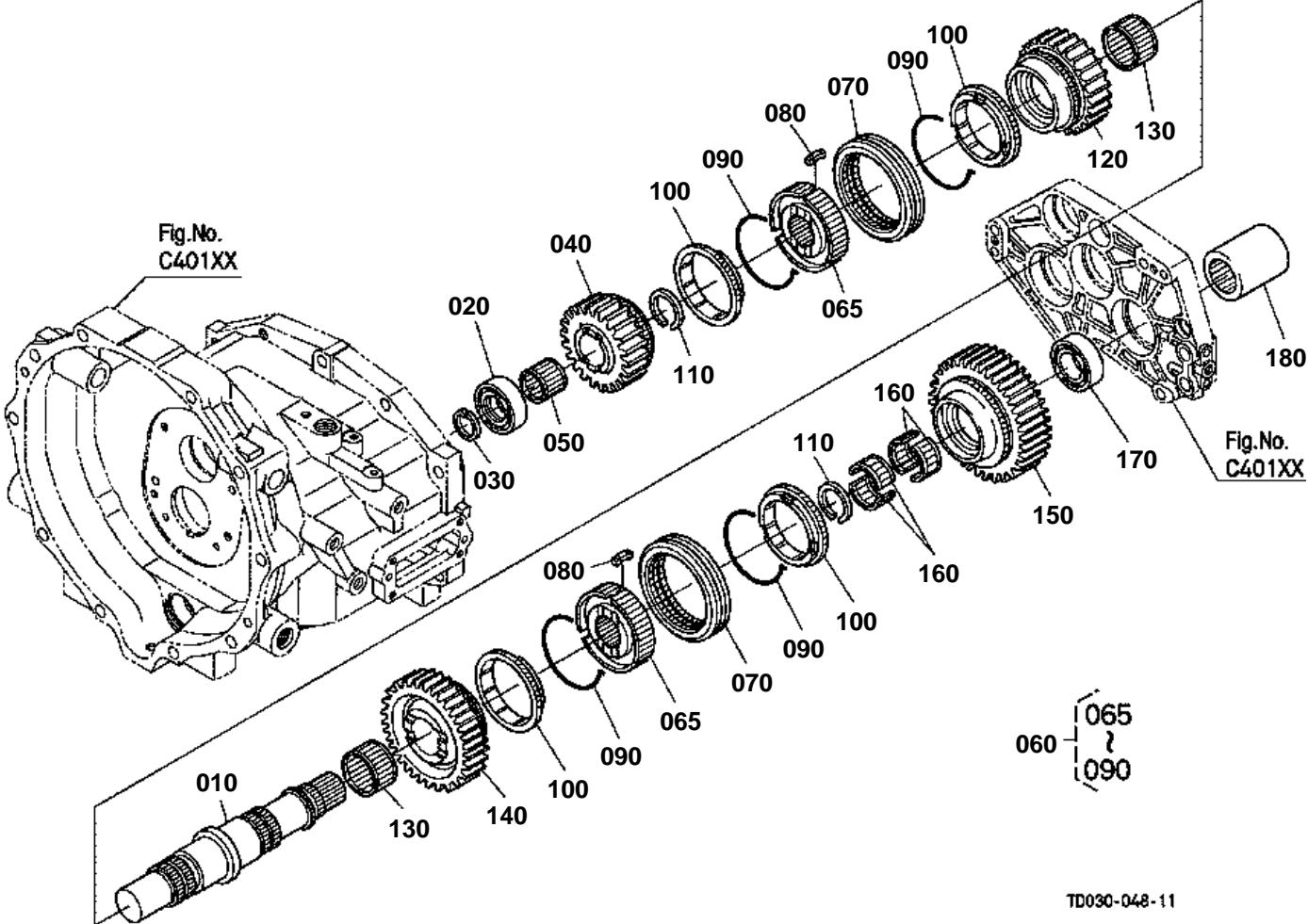
TD030-047-11



**INPUT SHAFT [HST TYPE]**

↔ Interchangeable; ≠ not interchangeable; ← new for old; → old for new

REF.No	Part No.	Description	Q'ty	S.No.	I/C	REMARKS	Weight (kgf)	Weight (lb)
010	TD050-51400	GEAR-SHAFT INPUT	1	≤38032		23T	1.63	3.586
010	TD020-51400	GEAR-SHAFT INPUT	1	≥38033	≠	22T	1.6	3.52
020	08101-06207	BEARING BALL	1				0.282	0.6204
030	08101-06206	BEARING BALL	1				0.196	0.4312
040	TD060-51390	SEAL OIL	1				0.019	0.0418
050	TD050-52200	GEAR HST	1	≤38032		27T	0.69	1.518
050	TD020-52200	GEAR HST	1	≥38033	≠	28T	0.73	1.606
060	08101-06007	BEARING BALL	1				0.16	0.352
070	36920-40090	BEARING BALL	1				0.1	0.22



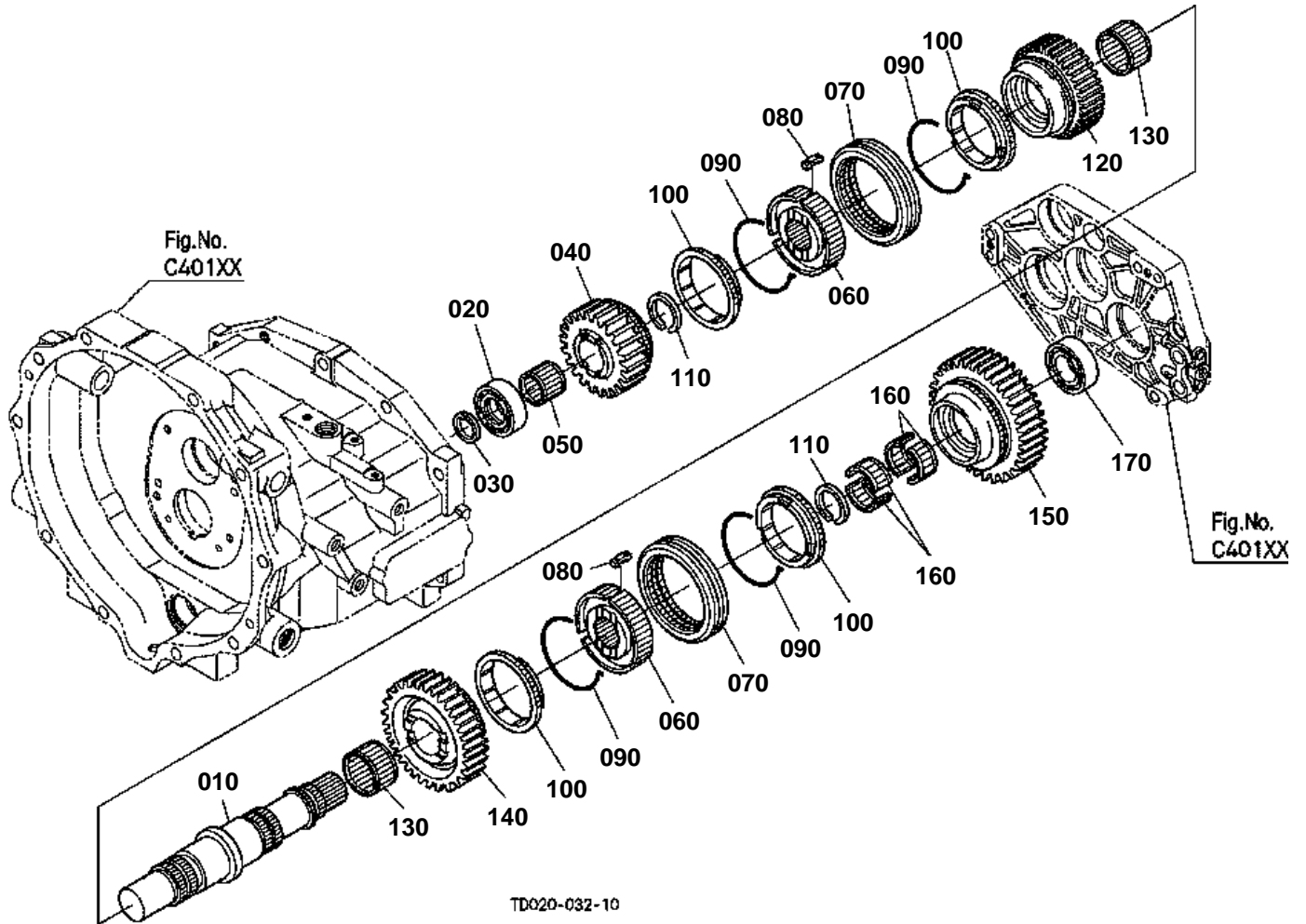
TD030-048-11

**COUNTERSHAFT [MANUAL T/M TYPE]**

↔ Interchangeable; ≠ not interchangeable; ← new for old; → old for new

REF.No	Part No.	Description	Q'ty	S.No.	I/C	REMARKS	Weight (kgf)	Weight (lb)
010	T1060-22200	COUNTERSHAFT	1	<=43513			0	0
010	T1060-22203	COUNTERSHAFT	1	>=43514	←		1.27	2.794
020	34070-22260	BEARING BALL	1				0.235	0.517
030	04611-00250	CIR CLIP INTERNAL	1				0.001	0.0022
040	TD050-22210	COMP.GEAR	1			24T	0.92	2.024
050	T1060-22310	BEARING NEEDLE	1				0.025	0.055
060	TD060-22170	ASSY SHIFTER	2				0.61	1.342
065	T1063-22250	COUPLING	2				0.35	0.77
070	TD050-22260	SHIFTER	2				0.25	0.55
080	32430-21440	KEY SYNCHRONIZER	6				0.004	0.0088
090	T0120-21780	SPRING	4				0.003	0.0066
100	34076-62260	RING SYNCHRONIZER	4				0.05	0.11
110	T1060-22280	CIR CLIP EXTERNAL	2				0.003	0.0066
120	TD050-22220	COMP.GEAR	1			29T	1.04	2.288
130	T1060-22320	BEARING NEEDLE	2				0.024	0.0528
140	TD050-22230	COMP.GEAR	1			34T	1.39	3.058
150	TD050-22240	COMP.GEAR	1			37T	2.1	4.62
160	T1060-22330	BEARING NEEDLE	2			SET	0.016	0.0352
170	35890-41290	BEARING BALL	1				0.233	0.5126
180	37150-21682	COUPLING	1				0.24	0.528

COUNTERSHAFT [GST TYPE]

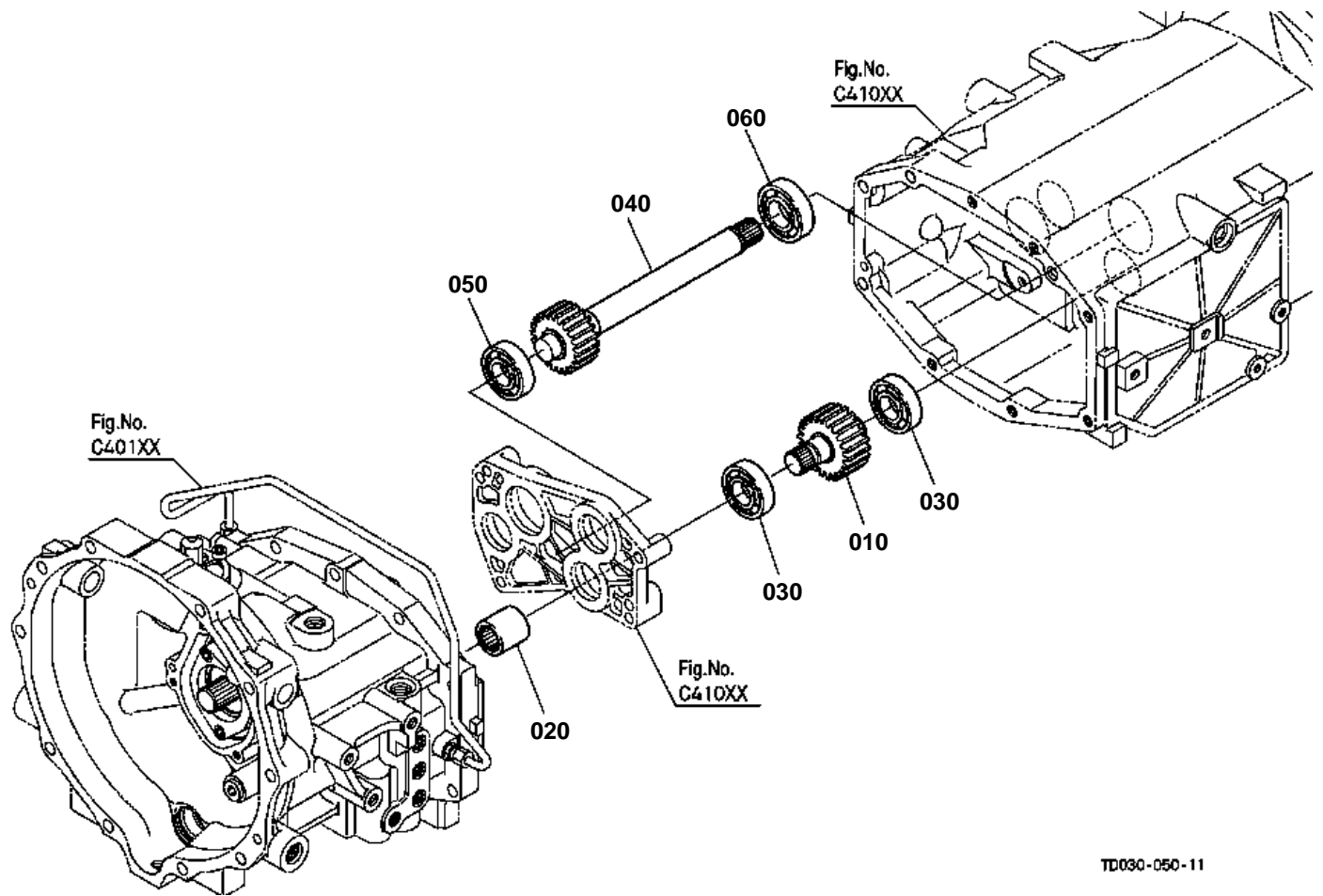


**COUNTERSHAFT [GST TYPE]**

↔ Interchangeable; ≠ not interchangeable; ← new for old; → old for new

REF.No	Part No.	Description	Q'ty	S.No.	I/C	REMARKS	Weight (kgf)	Weight (lb)
010	T1060-22200	COUNTERSHAFT	1	<=43513			0	0
010	T1060-22203	COUNTERSHAFT	1	>=43514	←		1.27	2.794
020	34070-22260	BEARING BALL	1				0.235	0.517
030	04611-00250	CIR CLIP INTERNAL	1				0.001	0.0022
040	TD020-62210	GEAR GST	1			24T	0.89	1.958
050	T1060-22310	BEARING NEEDLE	1				0.025	0.055
060	34076-62253	SHIFTER	2				0.235	0.517
070	T1063-22250	COUPLING	2				0.35	0.77
080	32430-21440	KEY SYNCHRONIZER	6				0.004	0.0088
090	T0120-21780	SPRING	4				0.003	0.0066
100	34076-62260	RING SYNCHRONIZER	4				0.05	0.11
110	T1060-22280	CIR CLIP EXTERNAL	2				0.003	0.0066
120	TD060-62220	GEAR GST	1			29T	1.045	2.299
130	T1060-22320	BEARING NEEDLE	2				0.024	0.0528
140	TD060-62230	GEAR GST	1			34T	1.38	3.036
150	TD060-62240	GEAR GST	1			37T	2.01	4.422
160	T1060-22330	BEARING NEEDLE	2			SET	0.016	0.0352
170	35890-41290	BEARING BALL	1				0.233	0.5126

COUNTERSHAFT [HST TYPE]



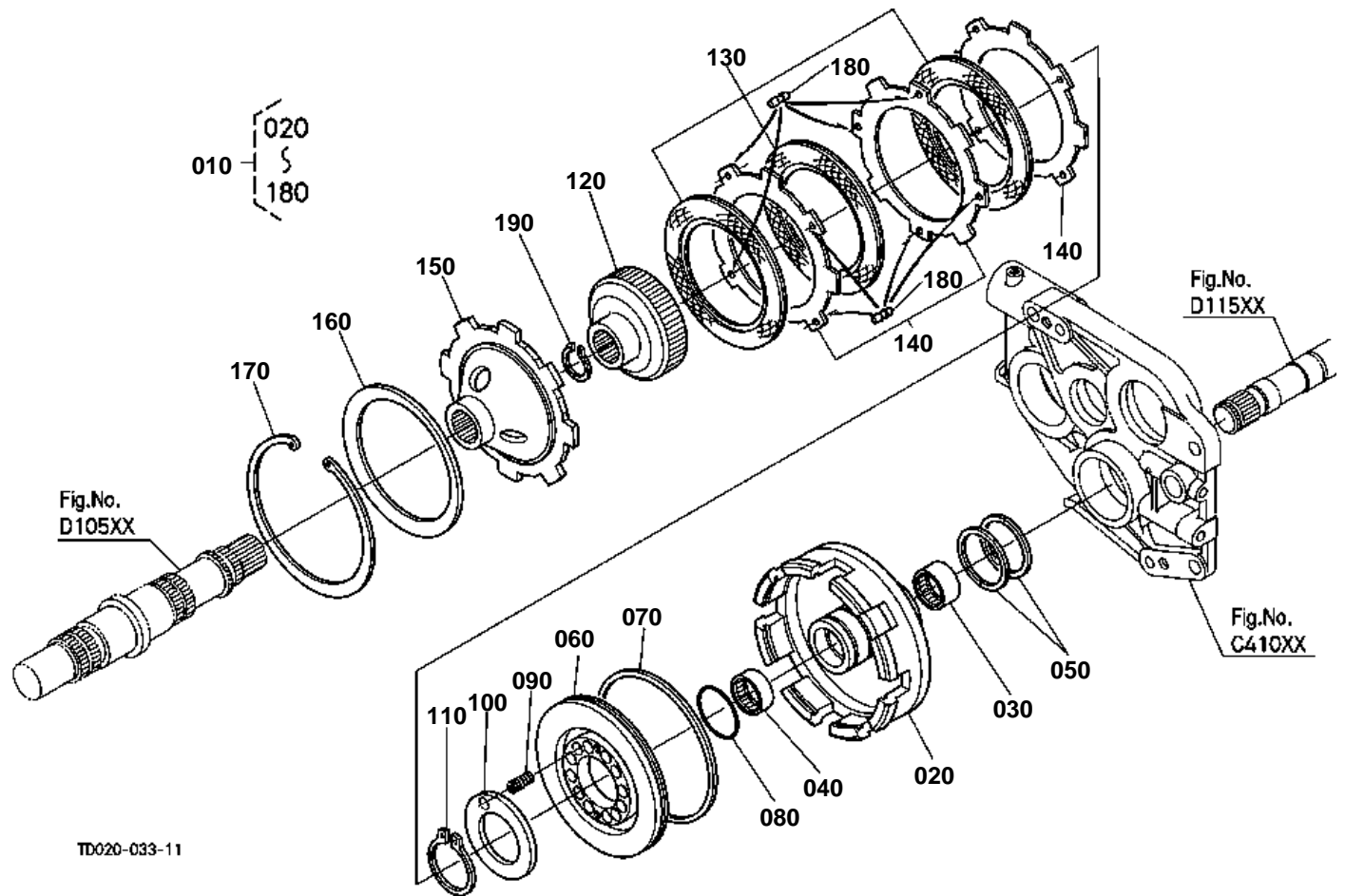


# COUNTERSHAFT [HST TYPE]

↔ Interchangeable; ≠ not interchangeable; ← new for old; → old for new

REF.No	Part No.	Description	Q'ty	S.No.	I/C	REMARKS	Weight (kgf)	Weight (lb)
010	TD060-52400	GEAR-SHAFT	1			22T	1.06	2.332
020	37150-21682	COUPLING	1				0.24	0.528
030	37410-57190	BEARING BALL	2				0.14	0.308
040	TD060-52500	GEAR-SHAFT	1			21T	2	4.4
050	37410-57190	BEARING BALL	1				0.14	0.308
060	08101-06206	BEARING BALL	1				0.196	0.4312

HYDRAULIC CLUTCH [GST TYPE]

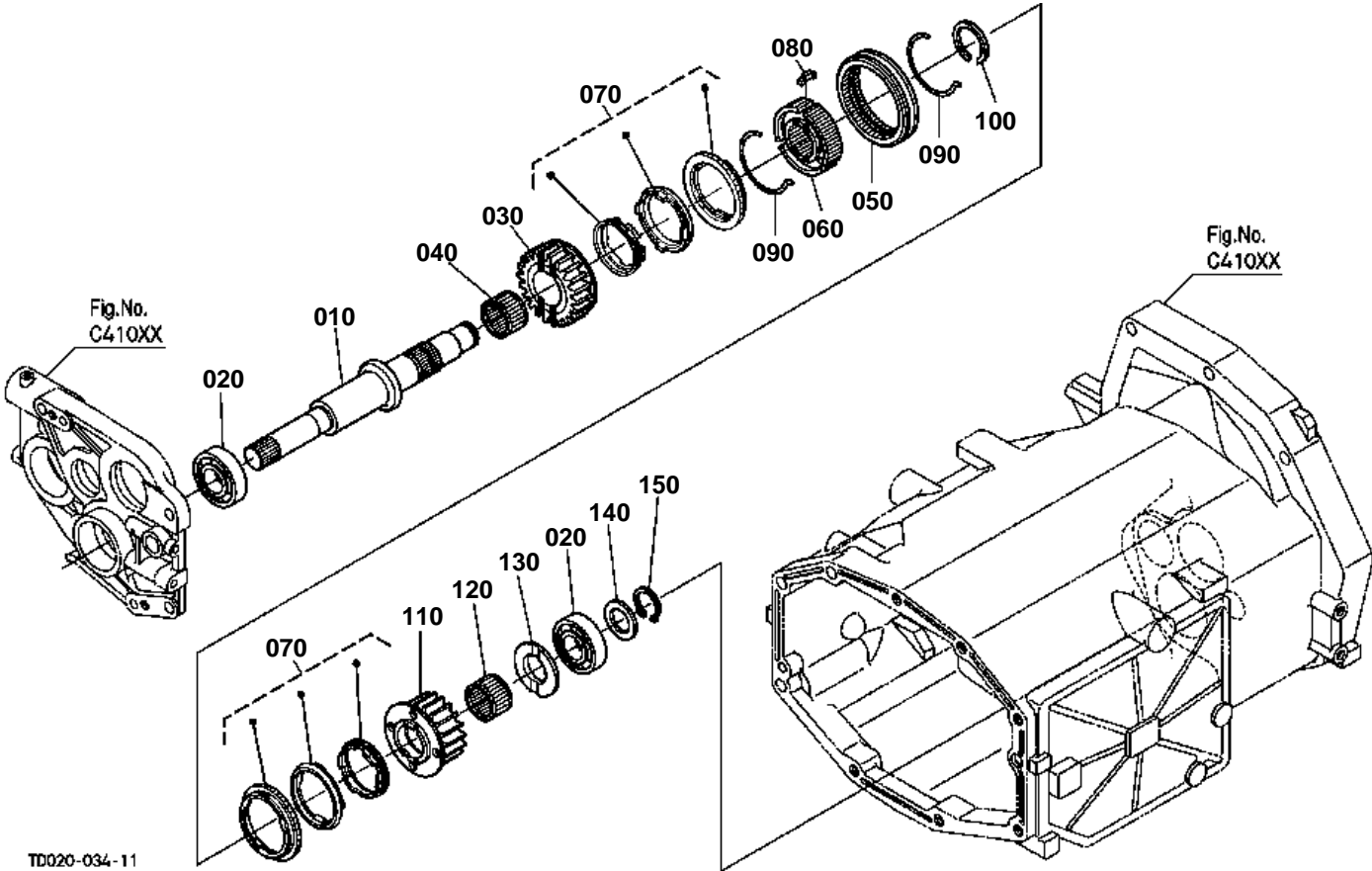




**HYDRAULIC CLUTCH [GST TYPE]**

↔ Interchangeable; ≠ not interchangeable; ← new for old; → old for new

REF.No	Part No.	Description	Q'ty	S.No.	I/C	REMARKS	Weight (kgf)	Weight (lb)
010	TD020-61500	ASSY CLUTCH GST	1				3.5	7.7
020	T1063-61550	CASE CLUTCH	1				1.425	3.135
030	T1063-61570	BEARING NEEDLE	1				0.02	0.044
040	T1063-61580	BEARING NEEDLE	1				0.01	0.022
050	31501-72403	RING SEAL	2				0.005	0.011
060	34076-61560	PISTON	1				0.26	0.572
070	34076-61570	D RING OUTER	1				0.005	0.011
080	04816-06370	O RING	1				0.003	0.0066
090	34076-61590	SPRING	12				0.005	0.011
100	34076-61610	PLATE RETAINER	1				0.035	0.077
110	04612-00420	CIR CLIP EXTERNAL	1				0.006	0.0132
120	34076-61630	HUB CLUTCH	1				0.455	1.001
130	T1063-61650	DISK CLUTCH	3				0.08	0.176
140	T1063-61660	PLATE	3				0.07	0.154
150	T1063-61710	HUB CLUTCH INPUT	1				0.725	1.595
160	34076-61683	SPRING PLATE	1				0.05	0.11
170	TD060-61720	CIR CLIP INTERNAL	1				0.08	0.176
180	34076-61670	RUBBER	8				0.005	0.011
190	37150-21551	CIR CLIP EXTERNAL	1				0.005	0.011



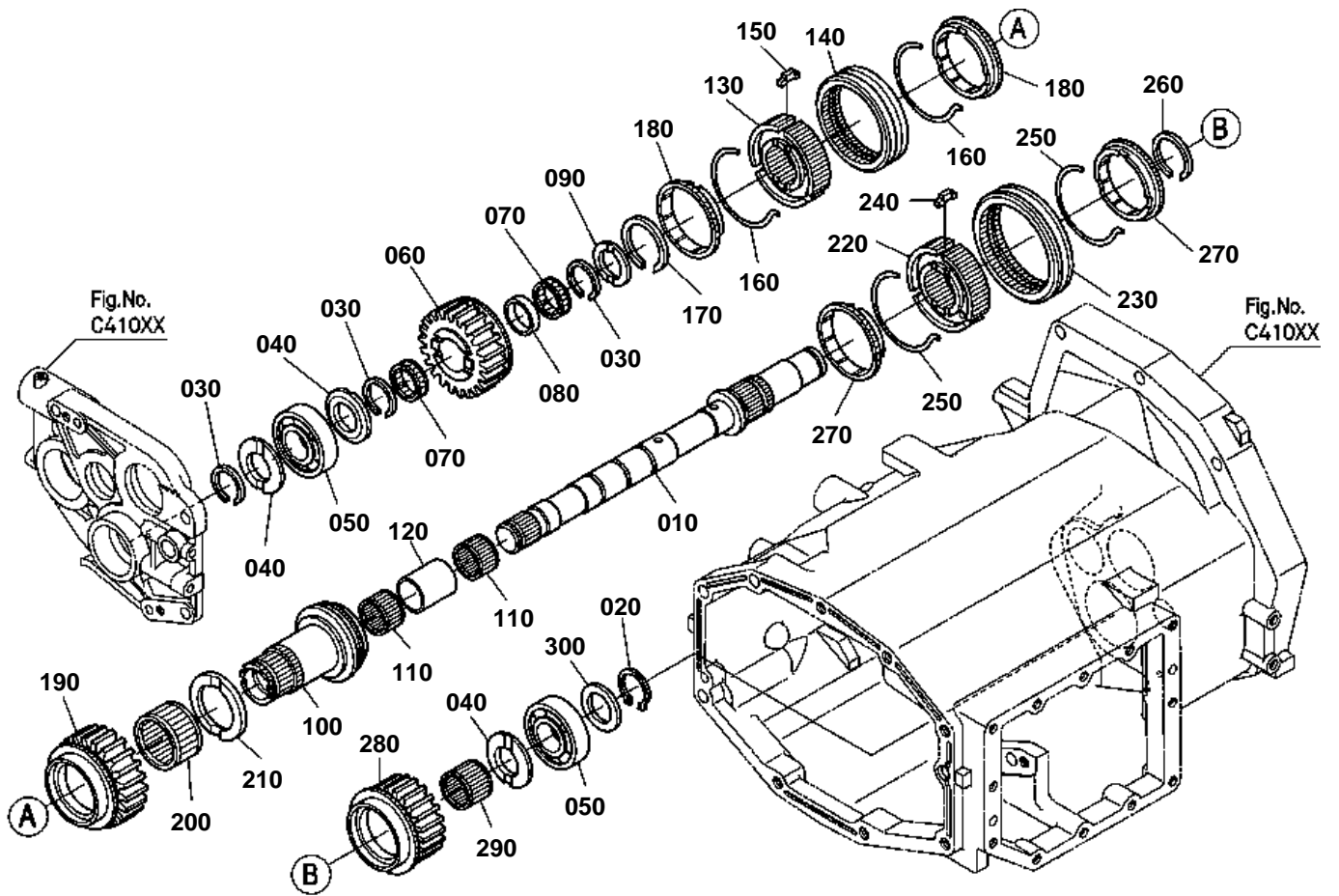
TD020-034-11

**SHUTTLE SHAFT [MANUAL T/M TYPE]**

↔ Interchangeable; ≠ not interchangeable; ← new for old; → old for new

REF.No	Part No.	Description	Q'ty	S.No.	I/C	REMARKS	Weight (kgf)	Weight (lb)
010	TD020-22400	SHAFT SHUTTLE	1				1.67	3.674
020	35890-41290	BEARING BALL	2				0.233	0.5126
030	TD020-22440	GEAR	1			22T	0.755	1.661
040	T1060-22320	BEARING NEEDLE	1				0.024	0.0528
050	TD060-62530	SHIFTER SHUTTLE	1	≤47838			0.255	0.561
050	TD060-62532	SHIFTER SHUTTLE	1	≥47839	←		0.255	0.561
060	TA040-22450	COUPLING	1	≤30115			0.3	0.66
060	TD060-22450	COUPLING	1	≥30116	←		0.29	0.638
070	TA040-22460	ASSY SYNCHRO	2				0.12	0.264
080	32430-21440	KEY SYNCHRONIZER	3				0.004	0.0088
090	T0120-21780	SPRING	2				0.003	0.0066
100	T1060-22880	CIR CLIP EXTERNAL	1				0.005	0.011
100	T1060-22882	CIR CLIP EXTERNAL	1		←		0.005	0.011
110	TD060-62520	GEAR BACK	1			18T	0.63	1.386
120	T1063-62480	BEARING NEEDLE	1				0.027	0.0594
130	32420-67662	COLLAR THRUST	1				0.005	0.011
140	34150-21560	WASHER	1				0.01	0.022
150	37150-21551	CIR CLIP EXTERNAL	1				0.005	0.011

SHUTTLE SHAFT [GST TYPE]

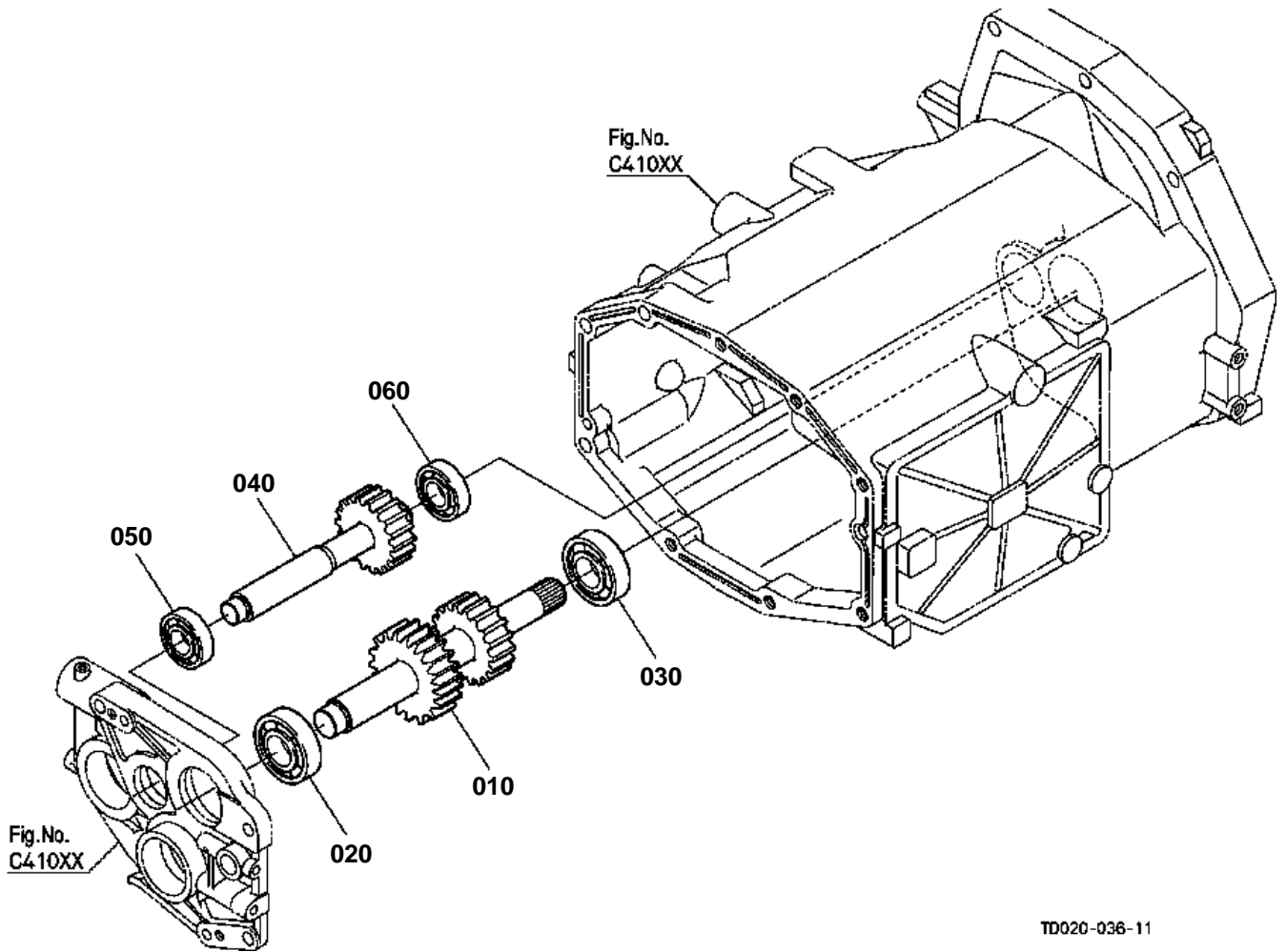


TD020-035-11

**SHUTTLE SHAFT [GST TYPE]**

↔ Interchangeable; ≠ not interchangeable; ← new for old; → old for new

REF.No	Part No.	Description	Q'ty	S.No.	I/C	REMARKS	Weight (kgf)	Weight (lb)
010	TD020-62400	SHAFT SHUTTLE	1				1.19	2.618
020	37150-21551	CIR CLIP EXTERNAL	1				0.005	0.011
030	T1060-22490	CIR CLIP EXTERNAL	3				0.002	0.0044
040	32420-67662	COLLAR THRUST	3				0.005	0.011
050	35890-41290	BEARING BALL	2				0.233	0.5126
060	TD020-62470	GEAR	1			20T	0.8	1.76
070	T1063-62440	BEARING NEEDLE	2				0.009	0.0198
080	T1063-22420	COLLAR SHUTTLE	1				0.005	0.011
090	T1063-62420	COLLAR THRUST	1				0.014	0.0308
100	TD020-62410	SHAFT SHUTTLE	1				0.72	1.584
110	T1063-62450	BEARING NEEDLE	2				0.017	0.0374
120	TD020-62430	COLLAR SHUTTLE	1				0.033	0.0726
130	T1063-22460	COUPLING SHUTTLE	1				0.28	0.616
140	34076-62253	SHIFTER	1				0.235	0.517
150	32430-21440	KEY SYNCHRONIZER	3				0.004	0.0088
160	T0120-21780	SPRING	2				0.003	0.0066
170	T1063-22490	CIR CLIP EXTERNAL	1				0.004	0.0088
180	34076-62260	RING SYNCHRONIZER	2				0.05	0.11
190	TD020-62440	GEAR	1			22T	0.75	1.65
200	T1063-62460	BEARING NEEDLE	1				0.038	0.0836
210	T1063-62560	COLLAR THRUST	1				0.026	0.0572
220	TA040-22450	COUPLING	1	≤30115			0.3	0.66
220	TD060-22450	COUPLING	1	≥30116	←		0.29	0.638
230	TD060-62530	SHIFTER SHUTTLE	1	≤47838			0.255	0.561
230	TD060-62532	SHIFTER SHUTTLE	1	≥47839	←		0.255	0.561
240	32430-21440	KEY SYNCHRONIZER	3				0.004	0.0088
250	T0120-21780	SPRING	2				0.003	0.0066
260	T1060-22880	CIR CLIP EXTERNAL	1				0.005	0.011
260	T1060-22882	CIR CLIP EXTERNAL	1		←		0.005	0.011
270	32430-67630	RING SYNCHRONIZER	2				0.055	0.121
280	TD020-62520	GEAR	1			18T	0.725	1.595
290	T1063-62480	BEARING NEEDLE	1				0.027	0.0594
300	34150-21560	WASHER	1				0.01	0.022



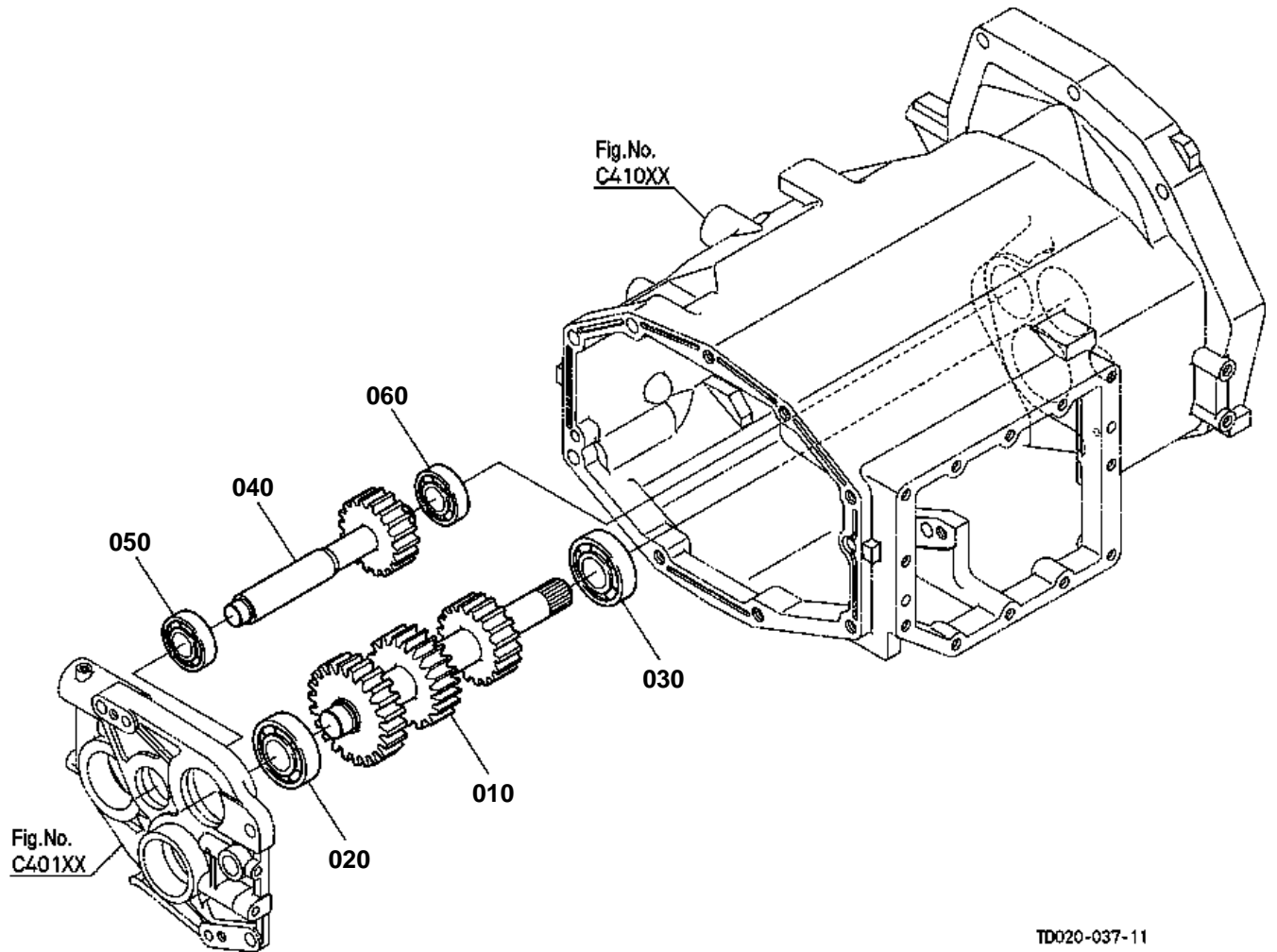
TD020-036-11



# REVERSE SHAFT [MANUAL T/M TYPE]

↔ Interchangeable; ≠ not interchangeable; ← new for old; → old for new

REF.No	Part No.	Description	Q'ty	S.No.	I/C	REMARKS	Weight (kgf)	Weight (lb)
010	TD020-22550	GEAR-SHAFT SHUTTLE	1			21-18T	2.5	5.5
020	64441-22170	BEARING BALL	1				0.24	0.528
030	35890-41290	BEARING BALL	1				0.233	0.5126
040	TD020-62580	GEAR-SHAFT BACK	1			17T	1.25	2.75
050	08101-06204	BEARING BALL	1				0.102	0.2244
060	34070-22560	BEARING BALL	1				0.1	0.22



TD020-037-11



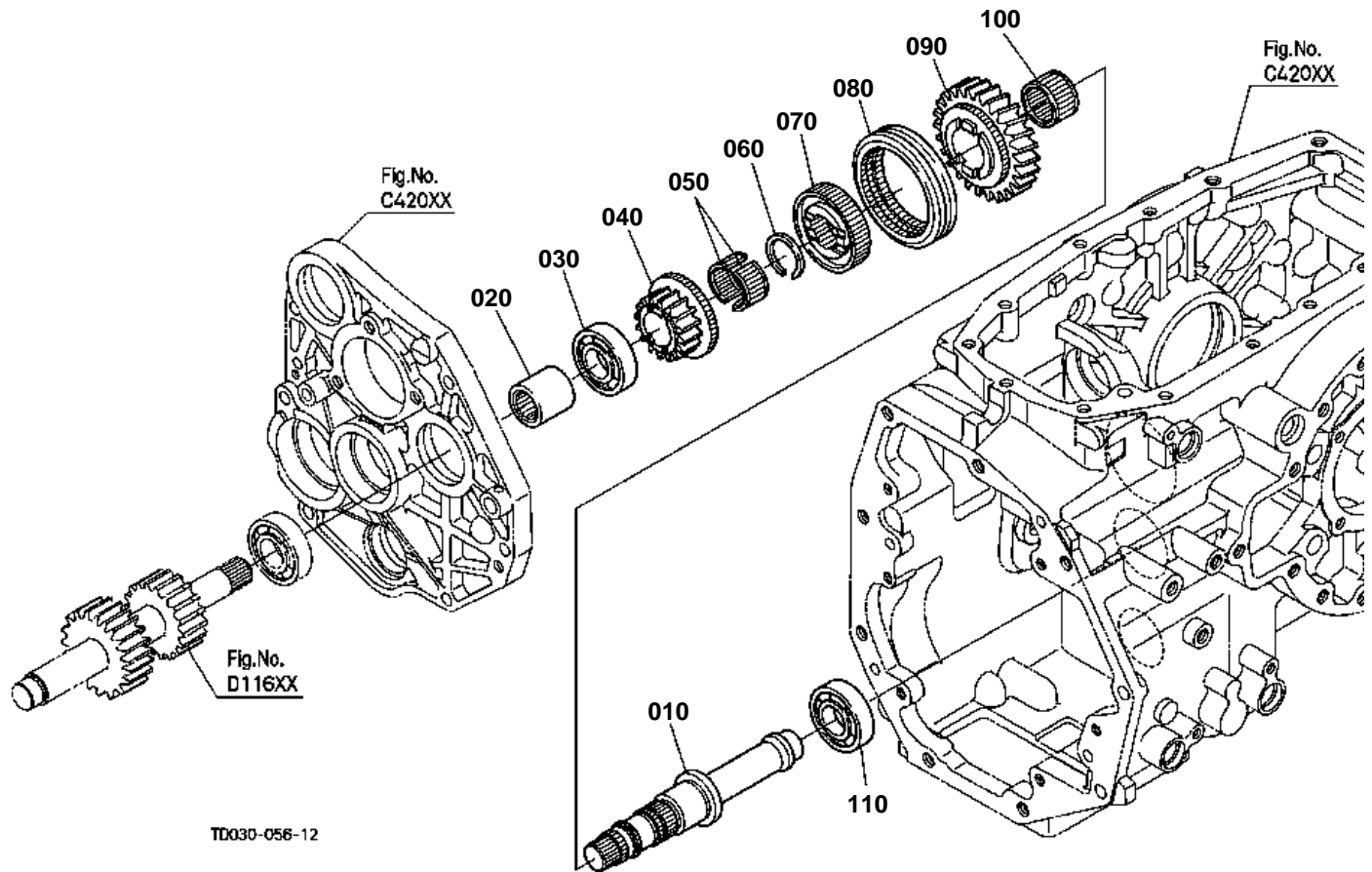


# REVERSE SHAFT [GST TYPE]

↔ Interchangeable; ≠ not interchangeable; ← new for old; → old for new

REF.No	Part No.	Description	Q'ty	S.No.	I/C	REMARKS	Weight (kgf)	Weight (lb)
010	TD020-62550	GEAR-SHAFT SHUTTLE	1			23-21-18T	3.3	7.26
020	64441-22170	BEARING BALL	1				0.24	0.528
030	35890-41290	BEARING BALL	1				0.233	0.5126
040	TD020-62580	GEAR-SHAFT BACK	1			17T	1.25	2.75
050	08101-06204	BEARING BALL	1				0.102	0.2244
060	34070-22560	BEARING BALL	1				0.1	0.22

RANGE GEAR SHAFT [MANUAL T/M TYPE]



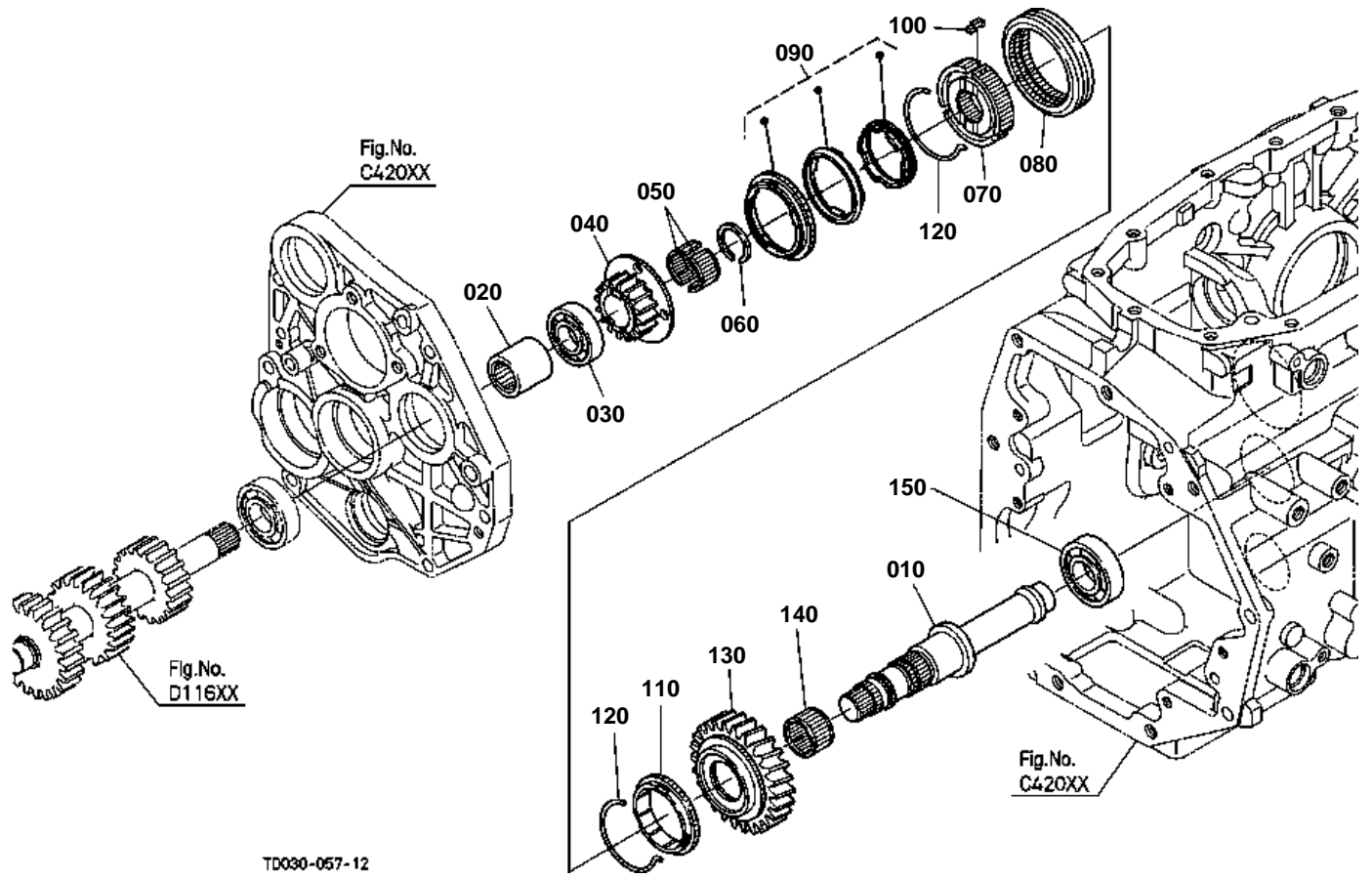
TD030-056-12

**RANGE GEAR SHAFT [MANUAL T/M TYPE]**

↔ Interchangeable; ≠ not interchangeable; ← new for old; → old for new

REF.No	Part No.	Description	Q'ty	S.No.	I/C	REMARKS	Weight (kgf)	Weight (lb)
010	TD060-22600	SHAFT RANGE GEAR	1				1.185	2.607
020	TD060-22670	COUPLING	1				0.16	0.352
030	08101-06305	BEARING BALL	1				0.23	0.506
040	TD050-22610	GEAR SUB	1			17T	0.34	0.748
050	T1060-22650	BEARING NEEDLE	1			SET	0.02	0.044
060	T1060-22280	CIR CLIP EXTERNAL	1				0.003	0.0066
070	T1060-22250	COUPLING	1				0.36	0.792
080	T1060-22260	SHIFTER	1				0.24	0.528
090	TD040-22620	COMP.GEAR SUB	1			34T	1.2	2.64
100	T1060-22320	BEARING NEEDLE	1				0.024	0.0528
110	64441-22170	BEARING BALL	1				0.24	0.528

RANGE GEAR SHAFT [GST TYPE]

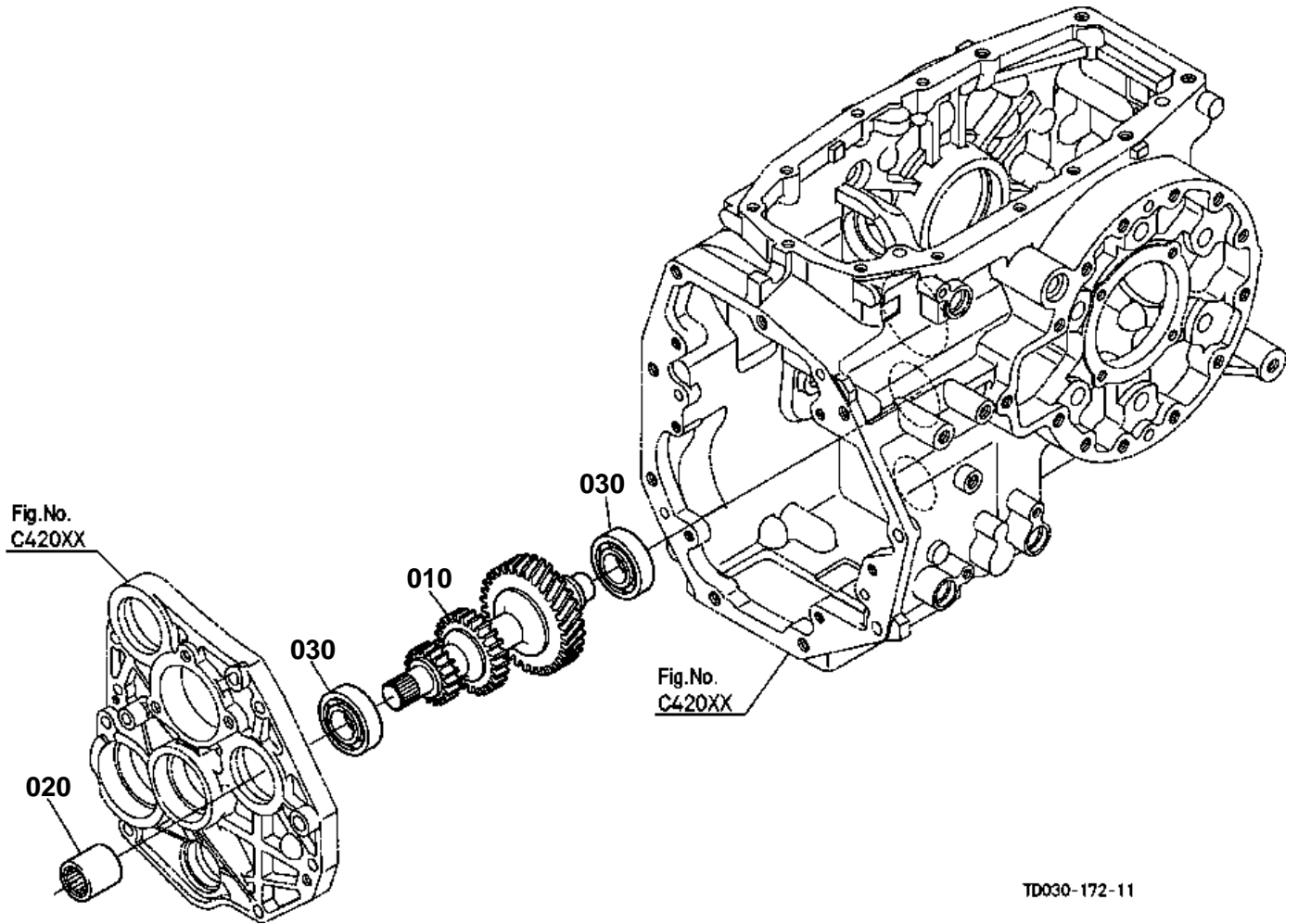


TD030-057-12

**RANGE GEAR SHAFT [GST TYPE]**

↔ Interchangeable; ≠ not interchangeable; ← new for old; → old for new

REF.No	Part No.	Description	Q'ty	S.No.	I/C	REMARKS	Weight (kgf)	Weight (lb)
010	TD060-22600	SHAFT RANGE GEAR	1				1.185	2.607
020	TD060-22670	COUPLING	1				0.16	0.352
030	08101-06305	BEARING BALL	1				0.23	0.506
040	TD060-62610	GEAR	1			17T	0.27	0.594
050	T1060-22650	BEARING NEEDLE	1			SET	0.02	0.044
060	T1060-22280	CIR CLIP EXTERNAL	1				0.003	0.0066
070	TD060-62650	COUPLING	1				0.31	0.682
080	TA040-22440	SHIFTER	1				0.225	0.495
090	TA040-22460	ASSY SYNCHRO	1				0.12	0.264
100	32430-21440	KEY SYNCHRONIZER	3				0.004	0.0088
110	34076-62260	RING SYNCHRONIZER	1				0.05	0.11
120	T0120-21780	SPRING	2				0.003	0.0066
130	TD040-62620	GEAR	1			34T	1.22	2.684
140	T1060-22320	BEARING NEEDLE	1				0.024	0.0528
150	64441-22170	BEARING BALL	1				0.24	0.528



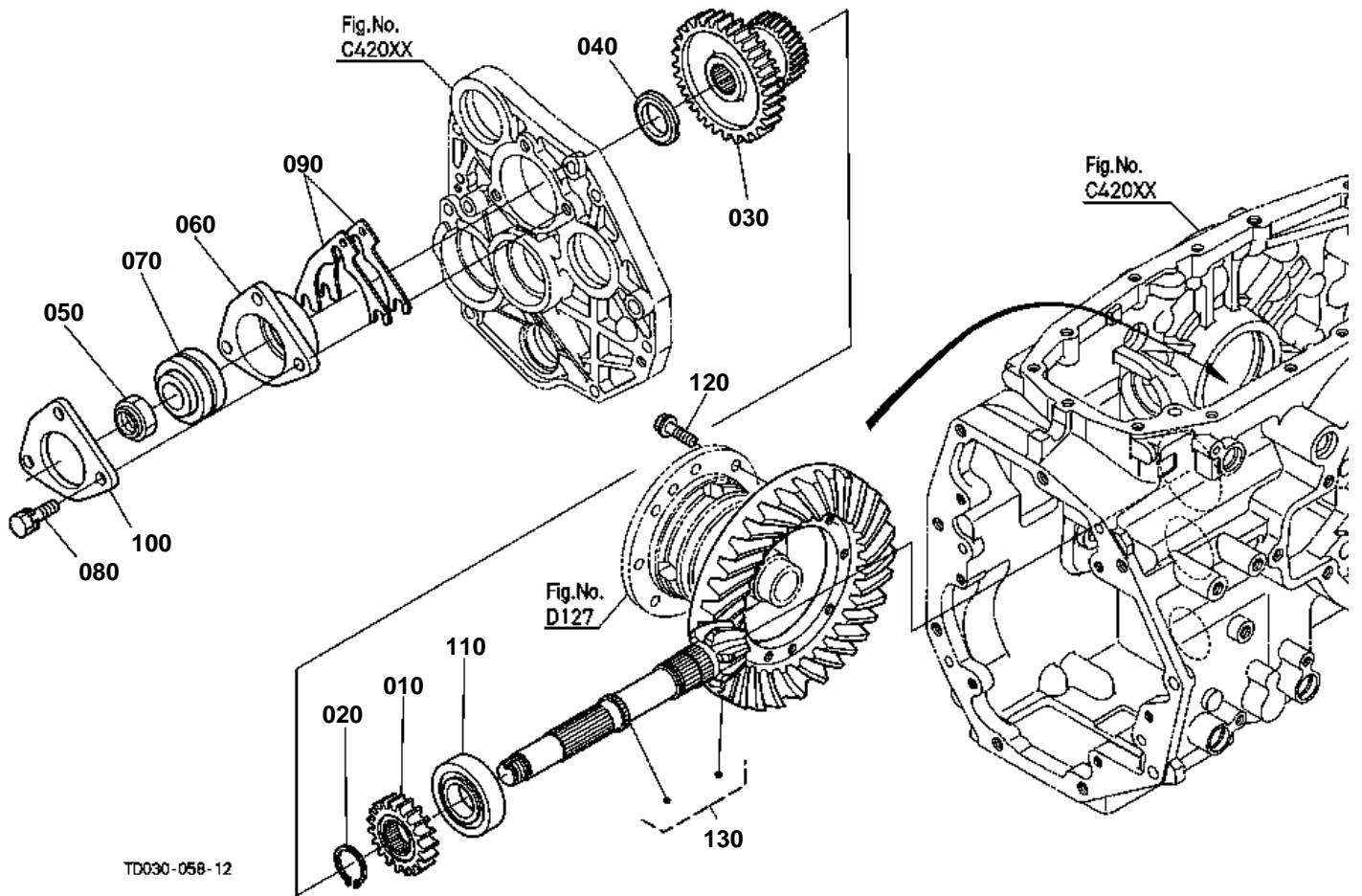


# RANGE GEAR SHAFT [HST TYPE]

↔ Interchangeable; ≠ not interchangeable; ← new for old; → old for new

REF.No	Part No.	Description	Q'ty	S.No.	I/C	REMARKS	Weight (kgf)	Weight (lb)
010	TD060-52600	GEAR-SHAFT	1			19-24-30T	3.1	6.82
020	TD060-22670	COUPLING	1				0.16	0.352
030	08101-06305	BEARING BALL	2				0.23	0.506

SPIRAL BEVEL PINION [EXCEPT HST TYPE]



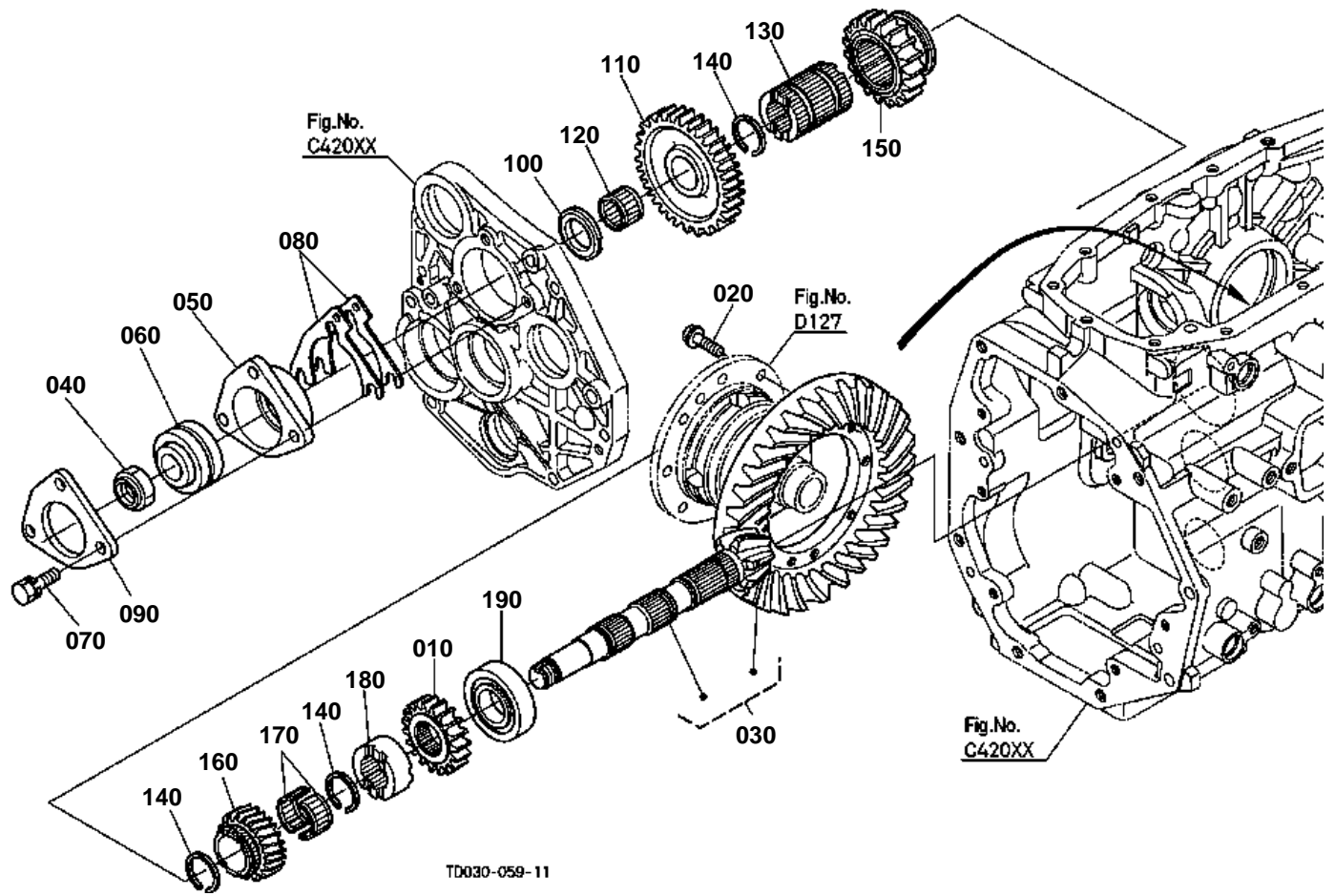


**SPIRAL BEVEL PINION [EXCEPT HST TYPE]**

↔ Interchangeable; ≠ not interchangeable; ← new for old; → old for new

REF.No	Part No.	Description	Q'ty	S.No.	I/C	REMARKS	Weight (kgf)	Weight (lb)
010	TD050-15110	GEAR DT	1			18T	0.315	0.693
020	04612-00320	CIR CLIP EXTERNAL	1				0.004	0.0088
030	TD020-21710	GEAR	1			49-20T	1.96	4.312
040	32420-67662	COLLAR THRUST	1				0.005	0.011
050	35260-23252	NUT	1				0.04	0.088
060	34070-22772	CASE	1				0.475	1.045
070	T0330-22200	BEARING TAPER-ROLLER	1				0.575	1.265
080	01133-51040	BOLT	3				0.03	0.066
090	34070-22860	SHIM	2			0.5mm	0.015	0.033
090	34070-22870	SHIM	4			0.2mm	0.004	0.0088
090	34070-22880	SHIM	2			0.1mm	0.005	0.011
100	34070-22780	COVER BEARING	1				0.21	0.462
110	34070-22740	BEARING ROLLER	1				0.51	1.122
120	37800-43870	BOLT	8				0.026	0.0572
130	TD060-99700	ASSY GEAR BEVEL	1			6-37T	6	13.2

SPIRAL BEVEL PINION [HST TYPE]



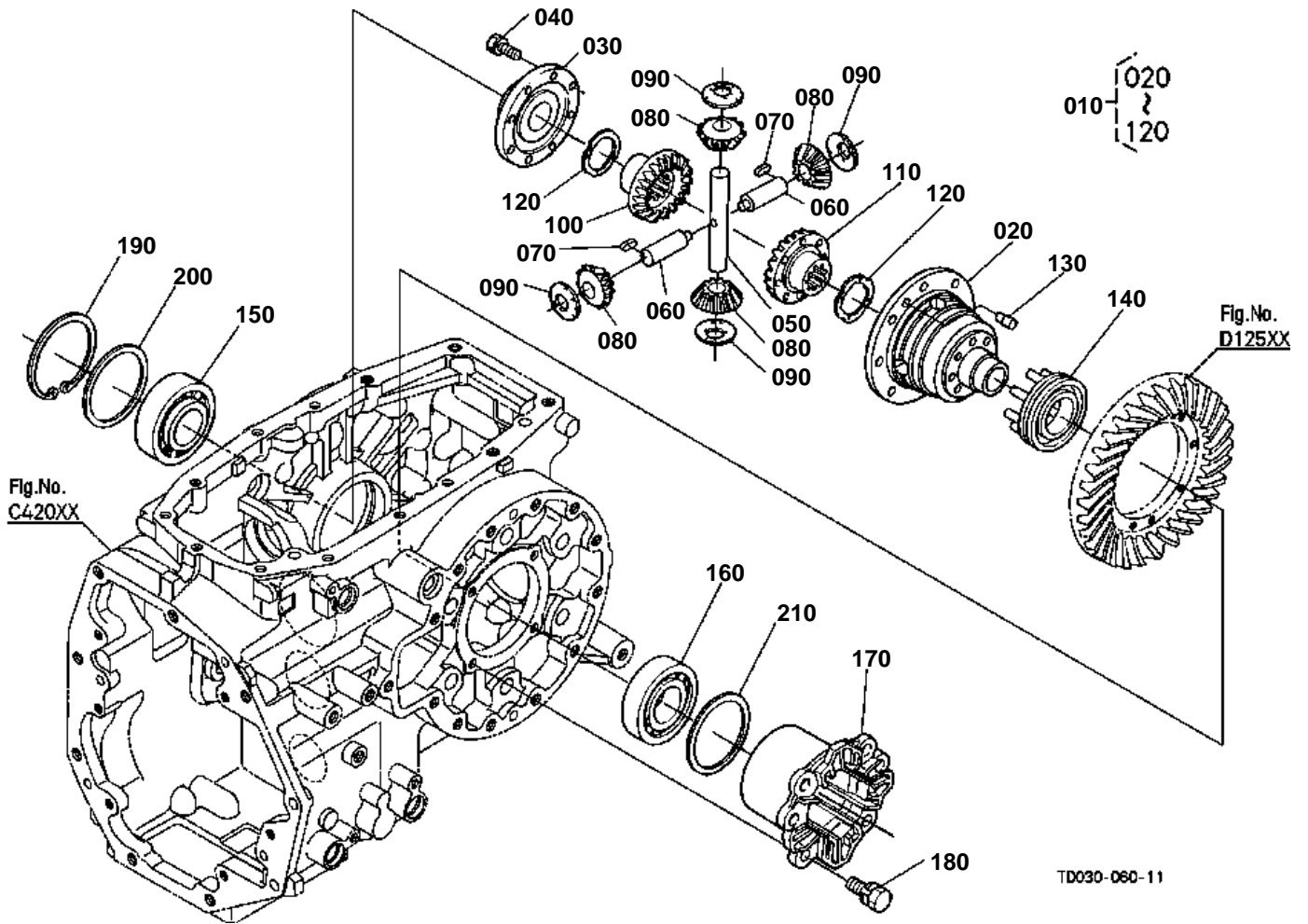


SPIRAL BEVEL PINION [HST TYPE]

↔ Interchangeable; ≠ not interchangeable; ← new for old; → old for new

REF.No	Part No.	Description	Q'ty	S.No.	I/C	REMARKS	Weight (kgf)	Weight (lb)
010	TD050-15110	GEAR DT	1			18T	0.315	0.693
020	37800-43870	BOLT	8				0.026	0.0572
030	TD060-59980	ASSY GEAR BEVEL	1			6-37T	6	13.2
040	35260-23252	NUT	1				0.04	0.088
050	34070-22772	CASE	1				0.475	1.045
060	T0330-22200	BEARING TAPER-ROLLER	1				0.575	1.265
070	01133-51040	BOLT	3				0.03	0.066
080	34070-22860	SHIM	2			0.5mm	0.015	0.033
080	34070-22870	SHIM	4			0.2mm	0.004	0.0088
080	34070-22880	SHIM	2			0.1mm	0.005	0.011
090	34070-22780	COVER BEARING	1				0.21	0.462
100	32420-67662	COLLAR THRUST	1				0.005	0.011
110	TD060-52610	GEAR	1			49T	0.99	2.178
120	TD060-52640	BEARING NEEDLE	1				0.025	0.055
130	TD060-52710	BOSS SPLINE	1				0.565	1.243
140	T1060-22880	CIR CLIP EXTERNAL	3				0.005	0.011
140	T1060-22882	CIR CLIP EXTERNAL	3		←		0.005	0.011
150	TD060-52620	GEAR	1			32T	0.855	1.881
160	TD060-52630	GEAR	1			18T	0.45	0.99
170	T1060-22870	BEARING NEEDLE	1			SET	0.02	0.044
180	T1060-22793	COUPLING	1				0.2	0.44
190	34070-22740	BEARING ROLLER	1				0.51	1.122

# REAR DIFFERENTIAL



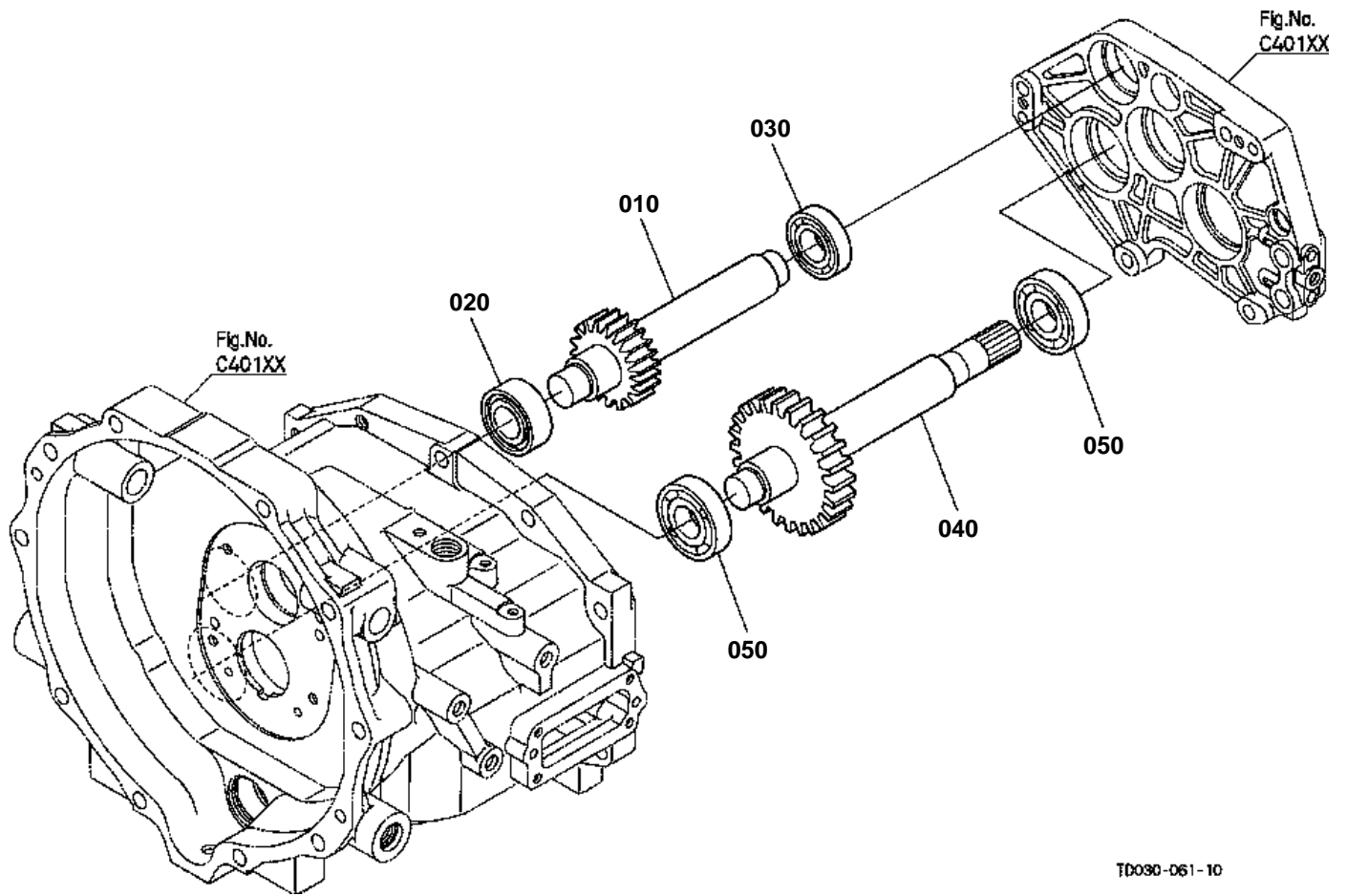
TD030-060-11

**REAR DIFFERENTIAL**

↔ Interchangeable; ≠ not interchangeable; ← new for old; → old for new

REF.No	Part No.	Description	Q'ty	S.No.	I/C	REMARKS	Weight (kgf)	Weight (lb)
010	3A011-32204	ASSY DIFFERENTIAL	1				6.2	13.64
020	3A011-32710	CASE DIFFERENTIAL	1				3.35	7.37
030	3A011-32044	COVER DIFF.CASE	1				0.795	1.749
040	01133-51025	BOLT	8				0.023	0.0506
050	35430-26340	SHAFT DIFF.PINION	1				0.31	0.682
060	35430-26330	SHAFT DIFF.PINION	2				0.136	0.2992
070	31220-26280	KEY FEATHER	2				0.005	0.011
080	35430-26350	PINION DIFF.	4			12T	0.16	0.352
090	31351-26390	WASHER DIFF.PINION	4				0.012	0.0264
100	37300-26430	GEAR DIFF.SIDE RH	1			20T	0.475	1.045
110	37300-26440	GEAR DIFF.SIDE LH	1			20T	0.63	1.386
120	31351-26470	WASHER SIDE GEAR	2			1.5mm	0.01	0.022
120	31351-26480	WASHER SIDE GEAR	2			1.6mm	0.015	0.033
120	31351-26490	WASHER SIDE GEAR	2			1.7mm	0.016	0.0352
120	3A011-32760	COLLAR THRUST	2			1.8mm	0.01	0.022
120	3A011-32780	COLLAR THRUST	2			2.0mm	0.01	0.022
130	37300-28170	PIN STRAIGHT	2				0.025	0.055
130	T1270-28170	PIN STRAIGHT	2		↔		0	0
140	31351-26610	SHIFTER DIFF.LOCK	1				0.43	0.946
150	T0330-26450	BEARING TAPER-ROLLER	1				0.545	1.199
160	08711-30209	BEARING TAPER-ROLLER	1				0.458	1.0076
170	T1060-28360	SUPPORT DIFF.	1				0.735	1.617
180	01133-51025	BOLT	4				0.023	0.0506
190	04611-00900	CIR CLIP INTERNAL	1				0.037	0.0814
200	37410-16810	SHIM DIFFERENTIAL	1			0.4mm	0.01	0.022
200	37410-16820	SHIM DIFFERENTIAL	1			0.5mm	0.01	0.022
200	37410-16830	SHIM DIFFERENTIAL	1			0.6mm	0.01	0.022
200	37410-16840	SHIM DIFFERENTIAL	1			0.7mm	0.01	0.022
200	37410-16850	SHIM DIFFERENTIAL	1			0.8mm	0.008	0.0176
200	37410-16860	SHIM DIFFERENTIAL	1			0.9mm	0.009	0.0198
200	37410-16870	SHIM DIFFERENTIAL	1			1.0mm	0.01	0.022
200	37410-16880	SHIM DIFFERENTIAL	1			1.2mm	0.011	0.0242
200	37410-16890	SHIM DIFFERENTIAL	1			1.4mm	0.015	0.033
210	34070-28210	SHIM	1			0.4mm	0.01	0.022
210	34070-28230	SHIM	1			0.6mm	0.015	0.033
210	34070-28250	SHIM	1			0.8mm	0.015	0.033
210	34070-28270	SHIM	1			1.0mm	0.015	0.033
210	34070-28290	SHIM	1			1.2mm	0.02	0.044
210	34070-28310	SHIM	1			1.4mm	0.025	0.055

PTO COUNTERSHAFT [EXCEPT HST TYPE]



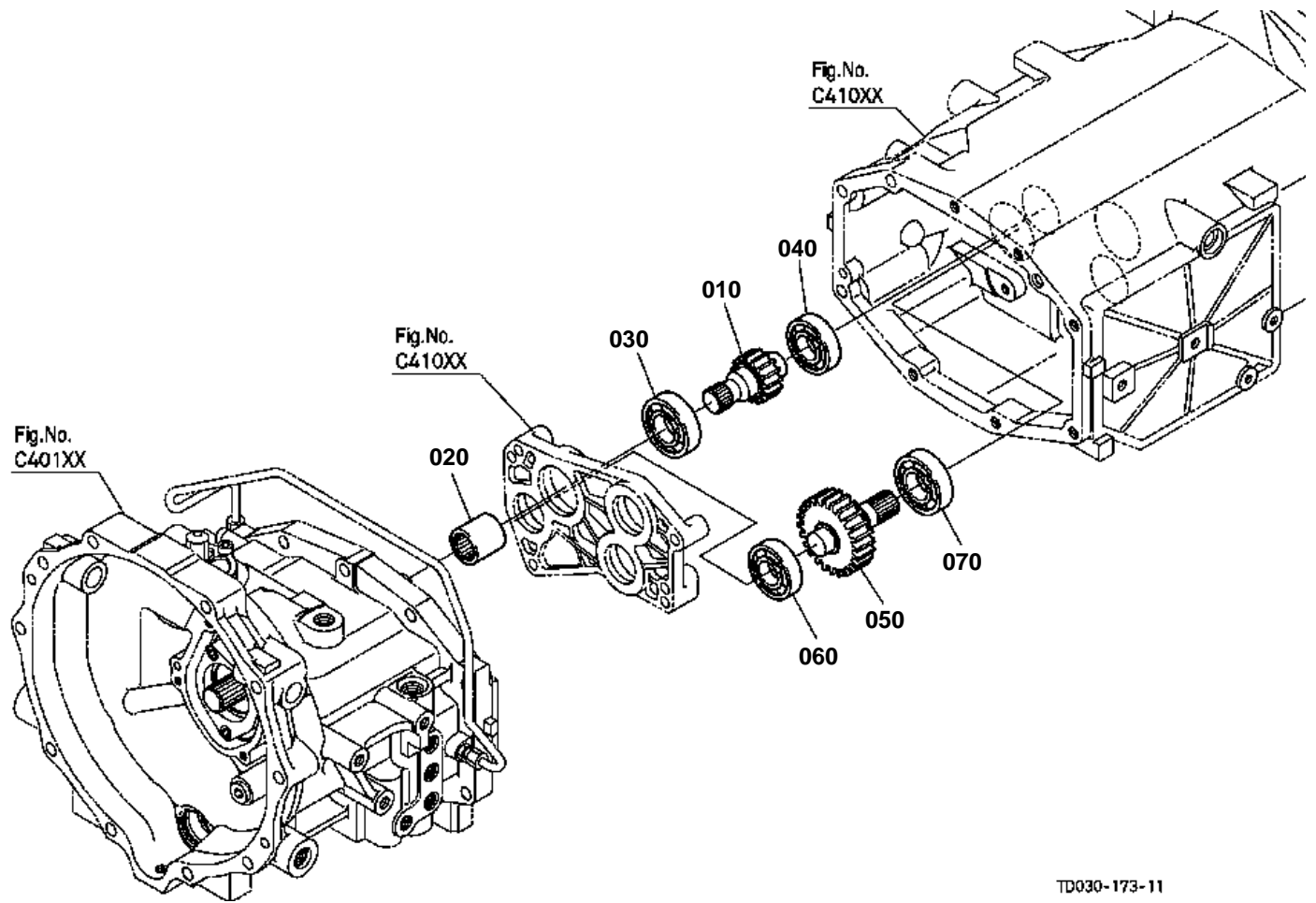
TD030-061-10



PTO COUNTERSHAFT [EXCEPT HST TYPE]

↔ Interchangeable; ≠ not interchangeable; ← new for old; → old for new

REF.No	Part No.	Description	Q'ty	S.No.	I/C	REMARKS	Weight (kgf)	Weight (lb)
010	TD060-23200	GEAR-SHAFT I-PTO	1			21T	1.72	3.784
020	33740-31180	BEARING ROLLER	1				0.22	0.484
030	08101-06205	BEARING BALL	1				0.14	0.308
040	TD060-23150	GEAR-SHAFT I-PTO	1			34T	2.2	4.84
050	08101-06305	BEARING BALL	2				0.23	0.506



TD030-173-11



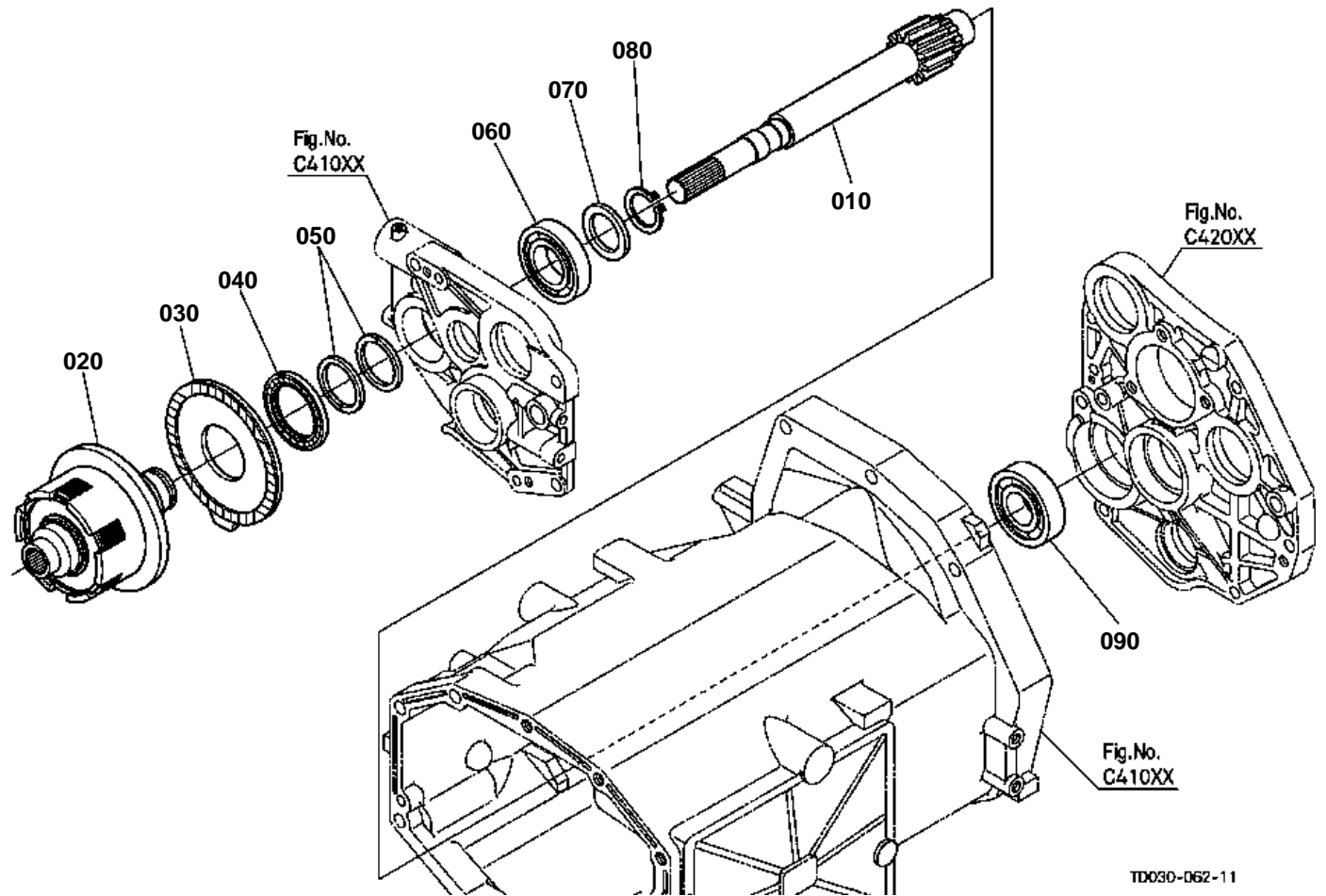


PTO COUNTERSHAFT [HST TYPE]

↔ Interchangeable; ≠ not interchangeable; ← new for old; → old for new

REF.No	Part No.	Description	Q'ty	S.No.	I/C	REMARKS	Weight (kgf)	Weight (lb)
010	TD060-53240	GEAR-SHAFT PTO	1	≤=38913		15T	0.575	1.265
010	TD020-53240	GEAR-SHAFT PTO	1	≥=38914	≠	16T	0.6	1.32
020	37150-21682	COUPLING	1				0.24	0.528
030	08101-06206	BEARING BALL	1				0.196	0.4312
040	37410-57190	BEARING BALL	1				0.14	0.308
050	TD060-53250	GEAR-SHAFT	1	≤=38913		25T	1.13	2.486
050	TD020-53250	GEAR-SHAFT	1	≥=38914	≠	25T	1.08	2.376
060	37410-57190	BEARING BALL	1				0.14	0.308
070	08101-06206	BEARING BALL	1				0.196	0.4312

PTO CLUTCH [EXCEPT HST TYPE]



TD030-062-11

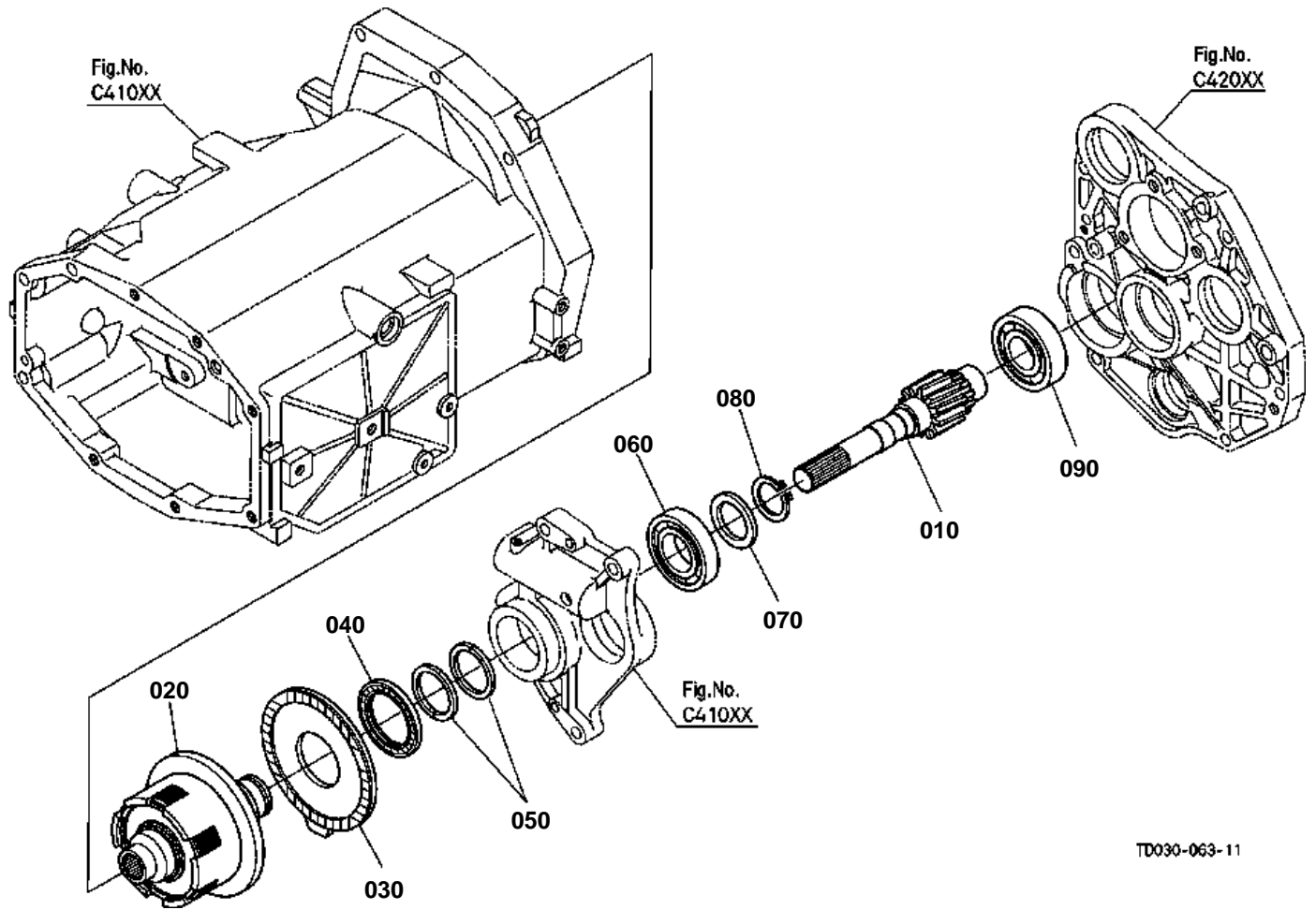


PTO CLUTCH [EXCEPT HST TYPE]

↔ Interchangeable; ≠ not interchangeable; ← new for old; → old for new

REF.No	Part No.	Description	Q'ty	S.No.	I/C	REMARKS	Weight (kgf)	Weight (lb)
010	TD020-23500	GEAR-SHAFT I-PTO	1			12T	1.99	4.378
020	TD060-69000	ASSY CLUTCH I-PTO	1	≤45718			3.7	8.14
020	TD060-69002	ASSY CLUTCH I-PTO	1	≥45719	≠		3.7	8.14
030	TA040-69150	DISK BRAKE	1				0.41	0.902
040	TA040-69160	BEARING NEEDLE	1				0.029	0.0638
050	31501-72403	RING SEAL	2				0.005	0.011
060	08101-06207	BEARING BALL	1				0.282	0.6204
070	69331-24330	COLLAR DISTANCE	1				0.012	0.0264
080	36740-41150	CIR CLIP EXTERNAL	1				0.01	0.022
090	36540-41130	BEARING BALL	1				0.34	0.748

PTO CLUTCH [HST TYPE]



TD030-063-11

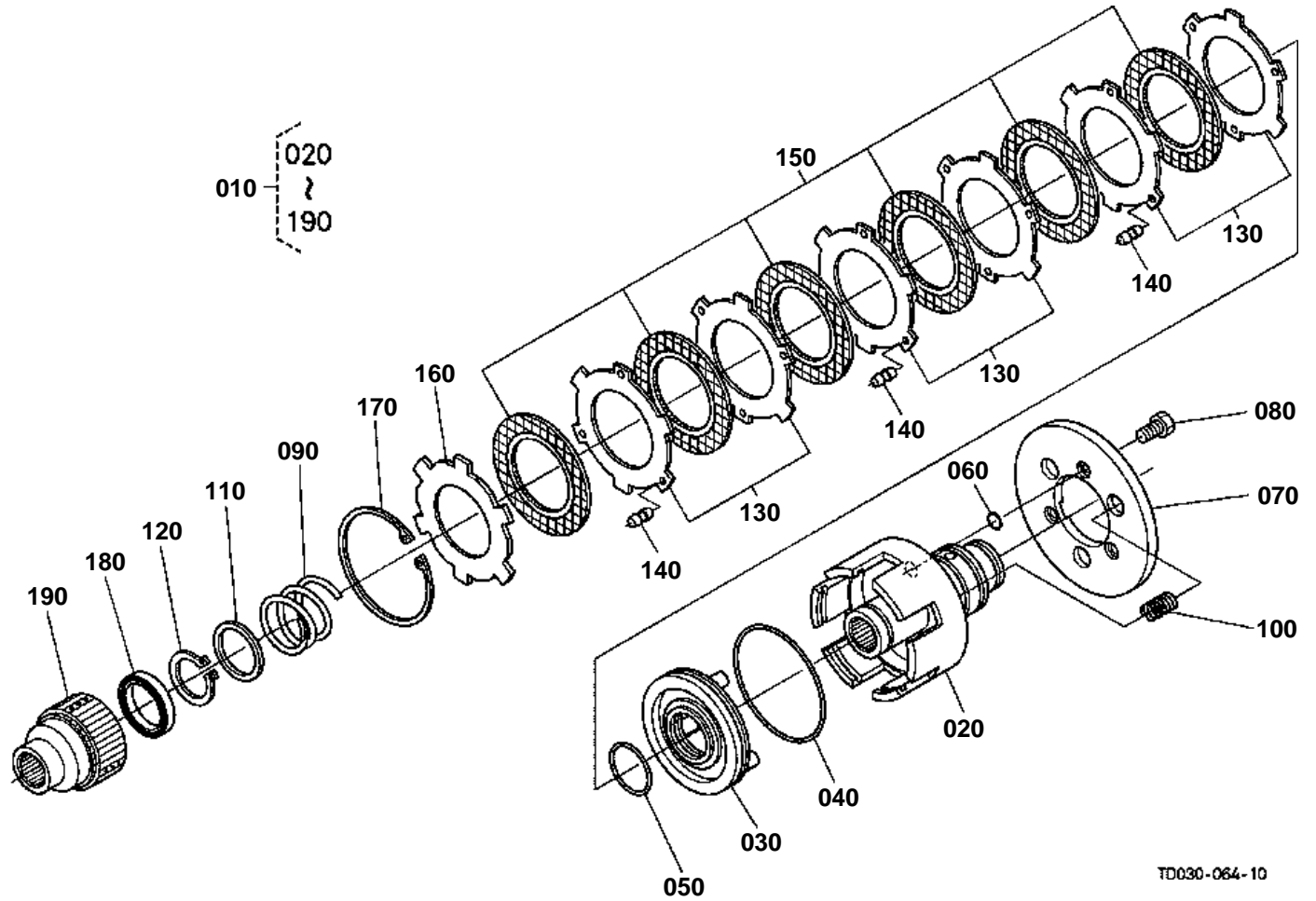


# PTO CLUTCH [HST TYPE]

↔ Interchangeable; ≠ not interchangeable; ← new for old; → old for new

REF.No	Part No.	Description	Q'ty	S.No.	I/C	REMARKS	Weight (kgf)	Weight (lb)
010	TD050-53500	GEAR-SHAFT I-PTO	1			12T	1.19	2.618
020	TD060-69000	ASSY CLUTCH I-PTO	1	≤45718			3.7	8.14
020	TD060-69002	ASSY CLUTCH I-PTO	1	≥45719	≠		3.7	8.14
030	TA040-69150	DISK BRAKE	1				0.41	0.902
040	TA040-69160	BEARING NEEDLE	1				0.029	0.0638
050	31501-72403	RING SEAL	2				0.005	0.011
060	08101-06207	BEARING BALL	1				0.282	0.6204
070	69331-24330	COLLAR DISTANCE	1				0.012	0.0264
080	36740-41150	CIR CLIP EXTERNAL	1				0.01	0.022
090	36540-41130	BEARING BALL	1				0.34	0.748

PTO CLUTCH [COMPONENT PARTS]



TD030-064-10

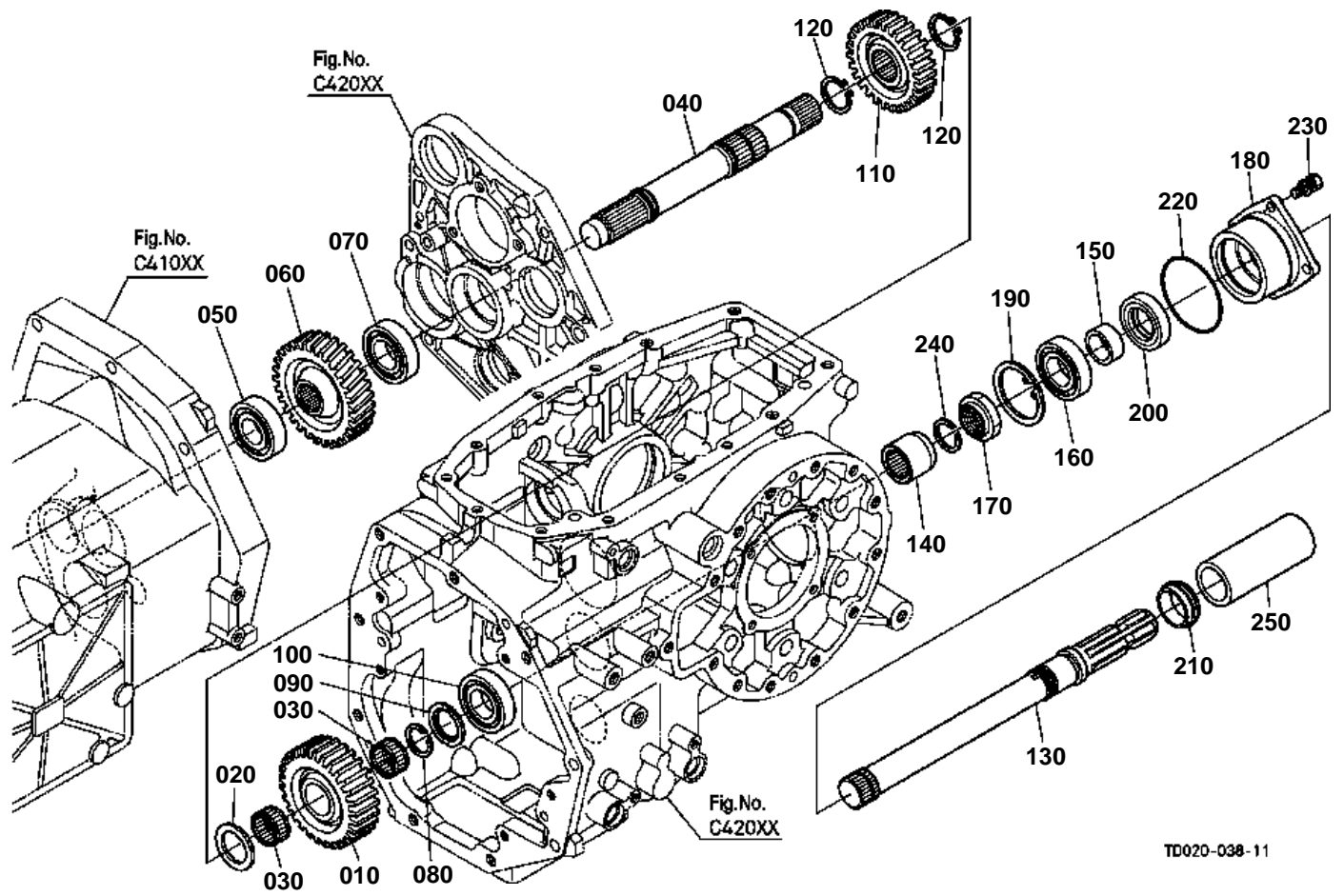


## PTO CLUTCH [COMPONENT PARTS]

↔ Interchangeable; ≠ not interchangeable; ← new for old; → old for new

REF.No	Part No.	Description	Q'ty	S.No.	I/C	REMARKS	Weight (kgf)	Weight (lb)
010	TD060-69000	ASSY CLUTCH I-PTO	1	<=45718			3.7	8.14
010	TD060-69002	ASSY CLUTCH I-PTO	1	>=45719	≠		3.7	8.14
020	TA040-69012	CASE PTO CLUTCH	1				1.555	3.421
030	TA040-69020	PISTON	1				0.395	0.869
040	31501-72330	D RING OUTER	1				0.005	0.011
050	31501-72470	D RING INNER	1				0.001	0.0022
060	04816-00100	O RING	3				0.001	0.0022
070	3A211-27220	PLATE BRAKE	1				0.64	1.408
080	TA040-69040	BOLT	3				0.004	0.0088
090	TA040-69050	SPRING RETURN	1				0.075	0.165
100	TA040-69060	SPRING RETURN	3				0.008	0.0176
110	PF801-31260	WASHER	1				0.015	0.033
120	04612-00350	CIR CLIP EXTERNAL	1				0.01	0.022
130	TA040-69080	PLATE	6				0.036	0.0792
140	TA040-69090	RUBBER	9				0.001	0.0022
150	34070-15250	DISK CLUTCH	6				0.04	0.088
160	TA040-69100	PLATE BACK	1	<=45718			0.127	0.2794
160	TA040-69103	PLATE BACK	1	>=45719	←		0.127	0.2794
170	04611-00920	CIR CLIP INTERNAL	1				0.04	0.088
180	08101-06807	BEARING BALL	1				0.03	0.066
190	TA040-69113	HUB CLUTCH	1	<=45718			0.365	0.803
190	TA040-69115	HUB CLUTCH	1	>=45719	≠		0.365	0.803

# PTO SHAFT



TD020-038-11



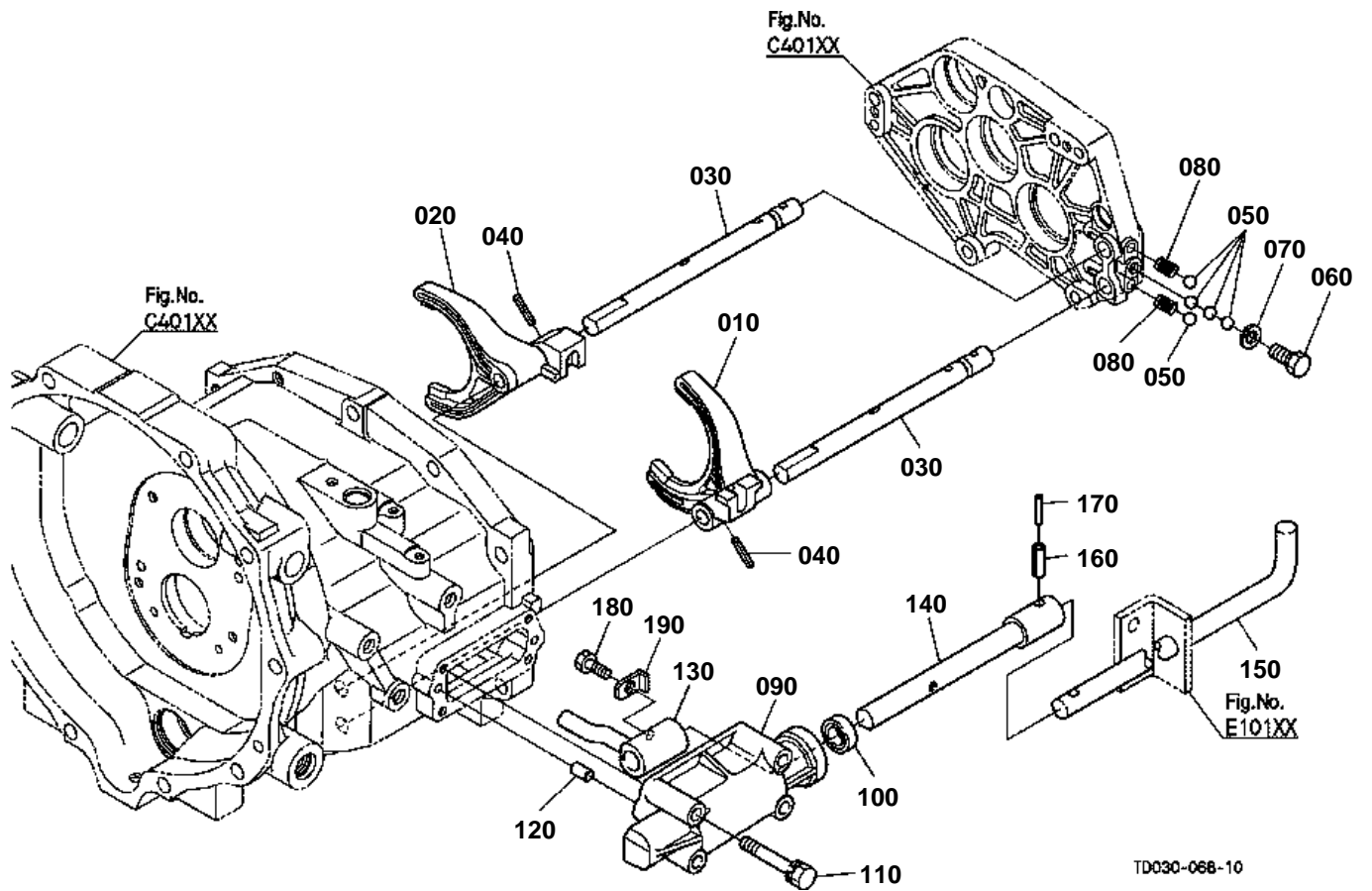


## PTO SHAFT

↔ Interchangeable; ≠ not interchangeable; ← new for old; → old for new

REF.No	Part No.	Description	Q'ty	S.No.	I/C	REMARKS	Weight (kgf)	Weight (lb)
010	TD020-15120	GEAR 4WD	1			29T	1.8	3.96
020	38430-25233	COLLAR THRUST	1				0.02	0.044
030	38430-25660	BEARING NEEDLE	2				0.021	0.0462
040	TD030-23680	SHAFT PTO DRIVE	1				1.69	3.718
050	35890-41290	BEARING BALL	1				0.233	0.5126
060	TD020-23610	GEAR PTO	1			30T	1.5	3.3
070	76550-34140	BEARING BALL	1				0.21	0.462
080	37410-15280	CIR-CLIP	1				0.005	0.011
090	34550-23360	COLLAR THRUST	1				0.025	0.055
100	37410-57330	BEARING BALL	1				0.2	0.44
110	TD030-25050	GEAR M-PTO	1			27T	0.94	2.068
120	04612-00350	CIR CLIP EXTERNAL	2				0.01	0.022
130	TA020-23702	SHAFT PTO	1	≤44203			0	0
130	TA020-23703	SHAFT PTO	1	≥44204	←		1.85	4.07
140	TD060-23660	COUPLING PTO	1				0.165	0.363
150	35340-25350	COLLAR OIL SEAL	1				0.03	0.066
160	TD060-23730	BEARING BALL	1				0.225	0.495
170	35340-25320	NUT	1				0.05	0.11
180	TD020-23720	CASE BEARING	1				0.97	2.134
190	04611-00650	CIR CLIP INTERNAL	1				0.011	0.0242
200	35340-25360	SEAL OIL	1				0.024	0.0528
210	38240-25370	SLINGER	1				0.004	0.0088
220	04811-50800	O RING	1				0.003	0.0066
230	01123-50822	BOLT	4				0.012	0.0264
240	38430-25540	CIR CLIP EXTERNAL	1				0.004	0.0088
250	31220-25820	CAP	1				0.055	0.121

MAIN GEAR SHIFT FORK [MANUAL T/M TYPE]



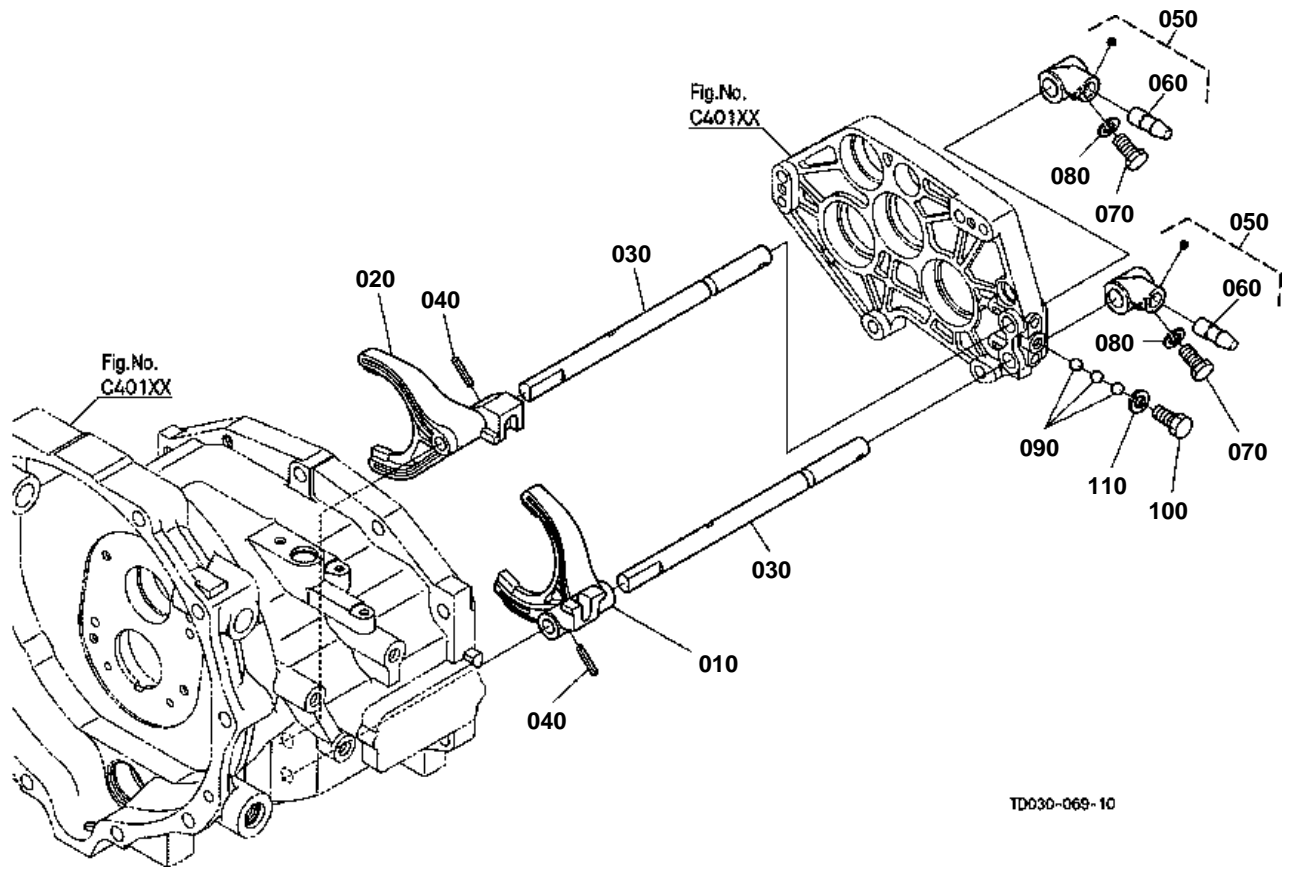
TD030-068-10

**MAIN GEAR SHIFT FORK [MANUAL T/M TYPE]**

↔ Interchangeable; ≠ not interchangeable; ← new for old; → old for new

REF.No	Part No.	Description	Q'ty	S.No.	I/C	REMARKS	Weight (kgf)	Weight (lb)
010	T1060-24100	FORK MAIN SHIFT	1				0.22	0.484
020	T1060-24110	FORK MAIN SHIFT	1				0.238	0.5236
030	T1060-24120	ROD FORK	2				0.266	0.5852
040	05411-00625	PIN SPRING	2				0.004	0.0088
050	07715-01605	BALL	5				0.003	0.0066
060	34070-24190	BOLT	1				0.015	0.033
070	04512-60100	WASHER SPRING	1				0.002	0.0044
080	62231-18530	SPRING	2				0.01	0.022
090	34070-24142	BASE MAIN SHIFT	1				0.395	0.869
100	09500-16287	SEAL OIL	1				0.01	0.022
110	01123-50860	BOLT	4				0.002	0.0044
120	05012-00818	PIN STRAIGHT	2				0.013	0.0286
130	34070-24154	ARM MAIN SHIFT	1				0.16	0.352
140	T0070-24160	ROD MAIN SHIFT	1				0.35	0.77
150	T1035-24170	ROD MAIN SHIFT	1				0.41	0.902
160	05411-00525	PIN SPRING	1				0.002	0.0044
170	05411-00325	PIN SPRING	1				0.001	0.0022
180	34070-24332	BOLT SET	1				0.01	0.022
190	32420-67970	WASHER	1				0.002	0.0044

MAIN GEAR SHIFT FORK [GST TYPE]



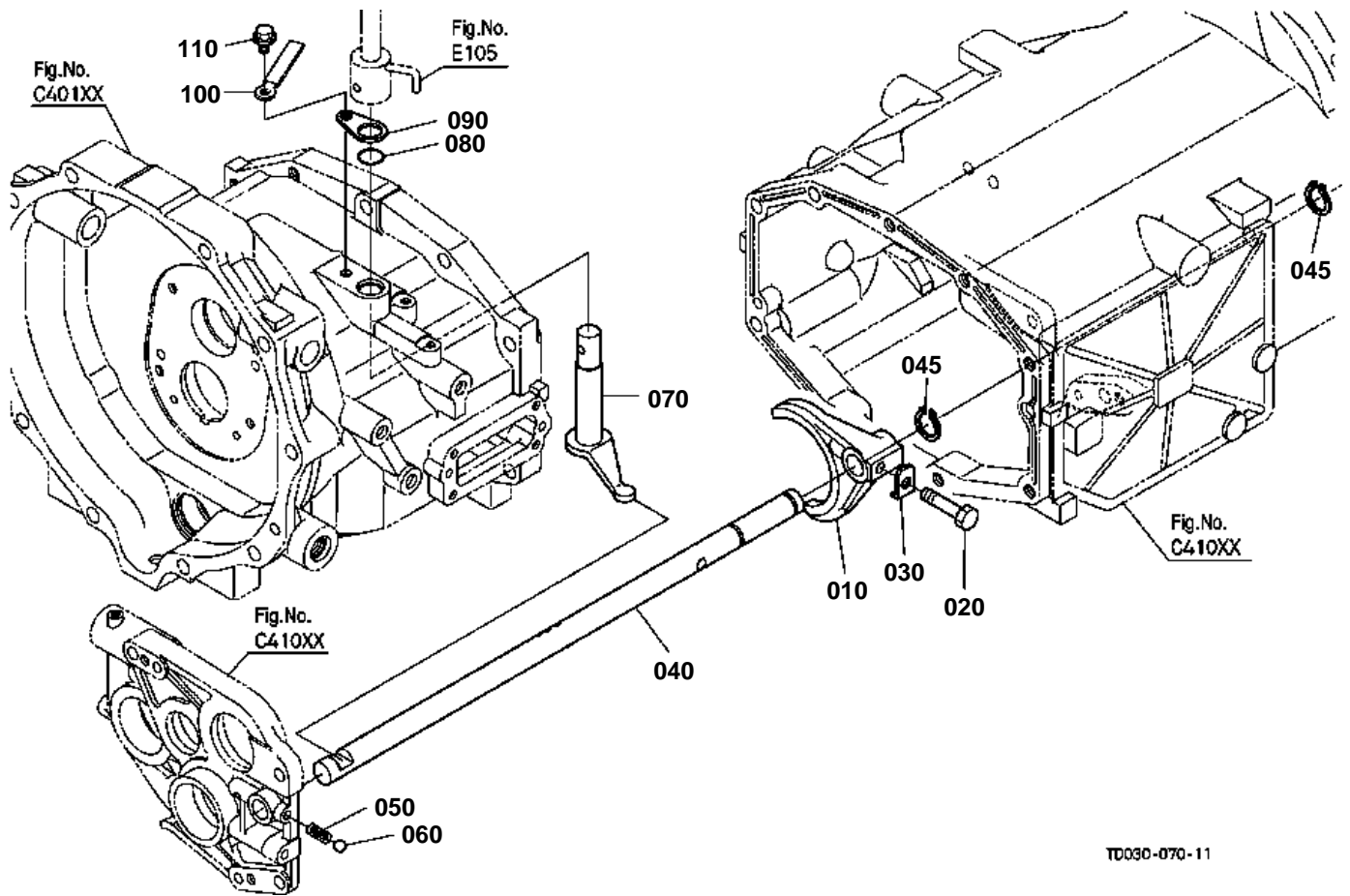


# MAIN GEAR SHIFT FORK [GST TYPE]

↔ Interchangeable; ≠ not interchangeable; ← new for old; → old for new

REF.No	Part No.	Description	Q'ty	S.No.	I/C	REMARKS	Weight (kgf)	Weight (lb)
010	T1060-24100	FORK MAIN SHIFT	1				0.22	0.484
020	T1060-24110	FORK MAIN SHIFT	1				0.238	0.5236
030	T1063-24120	ROD FORK	2				0.527	1.1594
040	05411-00625	PIN SPRING	2				0.004	0.0088
050	T1063-64130	ASSY SHIFTER GST	2				0.14	0.308
060	34076-64170	PIN SHIFT	2				0.02	0.044
070	31351-23570	BOLT FORK LOCK	2				0.007	0.0154
080	04512-60060	WASHER SPRING	2				0.001	0.0022
090	07715-01605	BALL	3				0.003	0.0066
100	34070-24190	BOLT	1				0.015	0.033
110	04512-60100	WASHER SPRING	1				0.002	0.0044

SHUTTLE SHIFT FORK [MANUAL T/M TYPE]



TD030-070-11

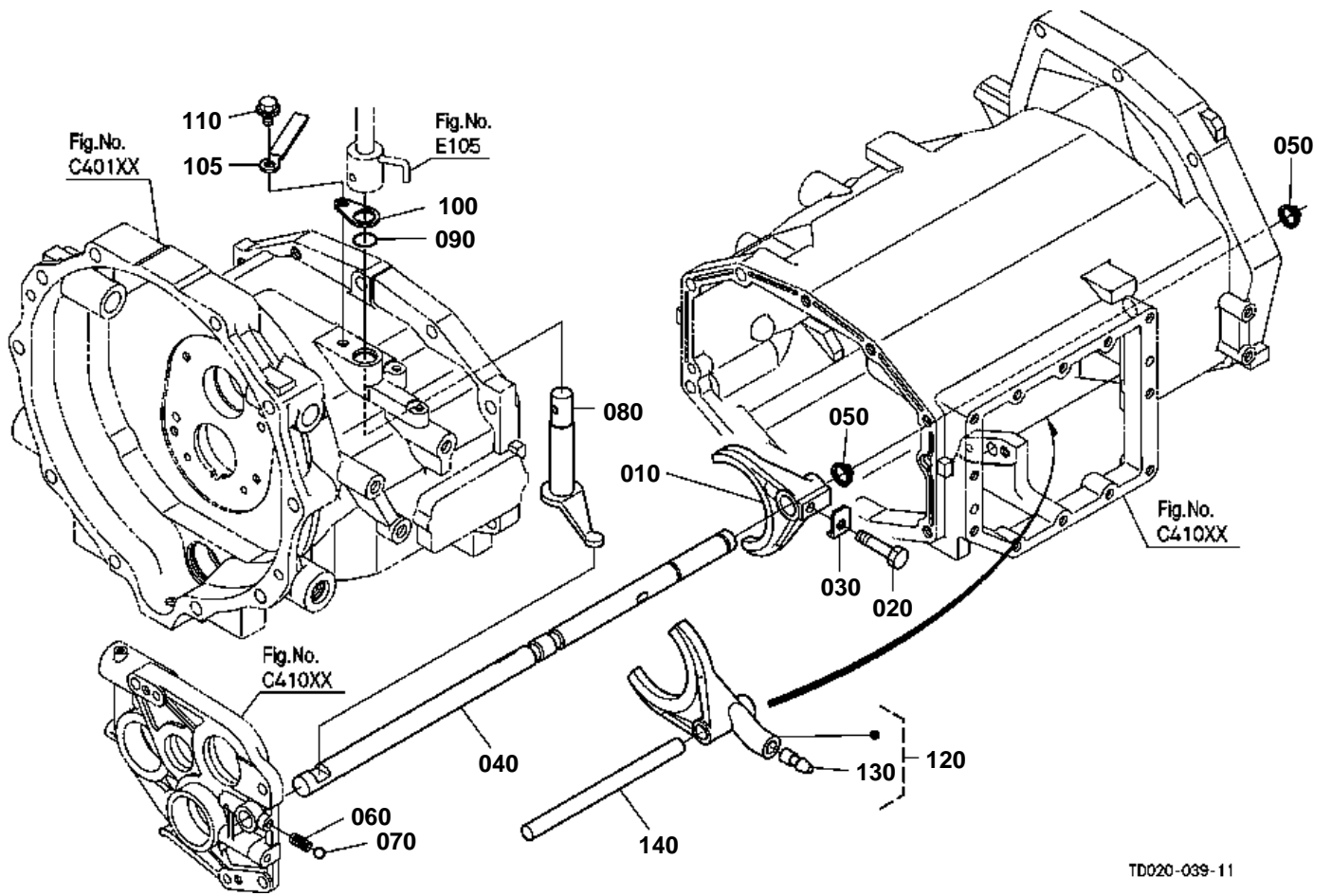


# SHUTTLE SHIFT FORK [MANUAL T/M TYPE]

↔ Interchangeable; ≠ not interchangeable; ← new for old; → old for new

REF.No	Part No.	Description	Q'ty	S.No.	I/C	REMARKS	Weight (kgf)	Weight (lb)
010	T1063-24300	FORK GST SHIFT	1				0.355	0.781
020	34076-64340	BOLT REAMER	1				0.015	0.033
030	32420-67970	WASHER	1				0.002	0.0044
040	TD050-24312	ROD FORK	1				0.96	2.112
045	04612-00180	CIR CLIP EXTERNAL	2				0.001	0.0022
050	32530-23730	SPRING	1				0.001	0.0022
060	07715-01605	BALL	1				0.003	0.0066
070	T0070-24320	ARM SHUTTLE SHIFT	1				0.325	0.715
080	04816-00200	O RING	1				0.003	0.0066
090	34070-24350	STOPPER	1				0.02	0.044
100	37150-34460	CLAMP CORD	1				0.004	0.0088
110	01754-50812	BOLT FLANGE	1				0.01	0.022

SHUTTLE SHIFT FORK [GST TYPE]



TD020-039-11

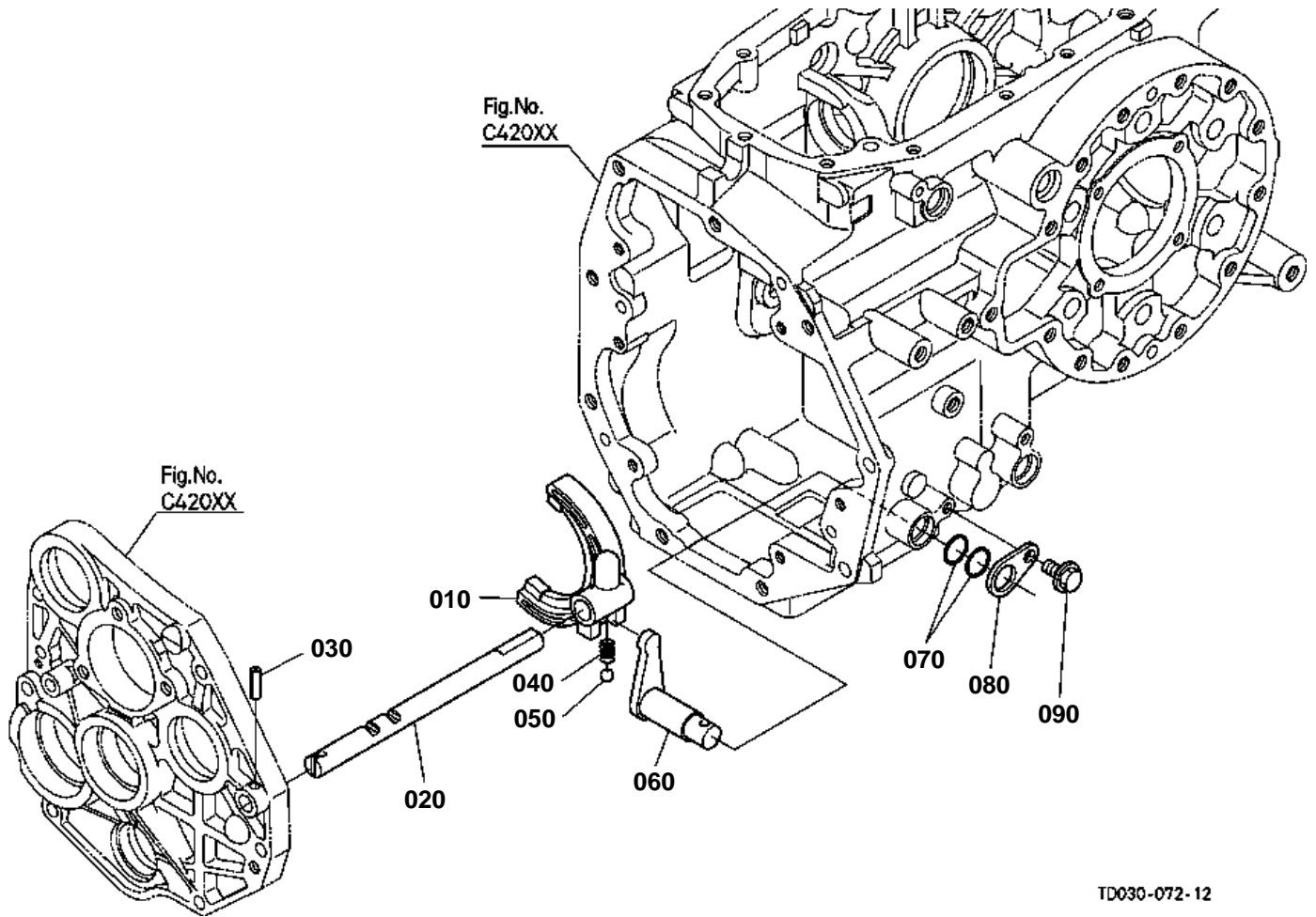




# SHUTTLE SHIFT FORK [GST TYPE]

↔ Interchangeable; ≠ not interchangeable; ← new for old; → old for new

REF.No	Part No.	Description	Q'ty	S.No.	I/C	REMARKS	Weight (kgf)	Weight (lb)
010	T1063-24300	FORK GST SHIFT	1				0.355	0.781
020	34076-64340	BOLT REAMER	1				0.015	0.033
030	32420-67970	WASHER	1				0.002	0.0044
040	TD060-64310	ROD FORK	1				0.925	2.035
050	04612-00180	CIR CLIP EXTERNAL	2				0.001	0.0022
060	32530-23730	SPRING	1				0.001	0.0022
070	07715-01605	BALL	1				0.003	0.0066
080	T0070-24320	ARM SHUTTLE SHIFT	1				0.325	0.715
090	04816-00200	O RING	1				0.003	0.0066
100	34070-24350	STOPPER	1				0.02	0.044
105	37150-34460	CLAMP CORD	1				0.004	0.0088
110	01754-50812	BOLT FLANGE	1				0.01	0.022
120	T1063-64350	ASSY FORK SHIFT GST	1	<=35196			0	0
120	T1063-64354	ASSY FORK SHIFT GST	1	>=35197	←		0.5	1.1
130	34076-64170	PIN SHIFT	1				0.02	0.044
140	T1153-24370	ROD FORK	1				0.177	0.3894



TD030-072-12

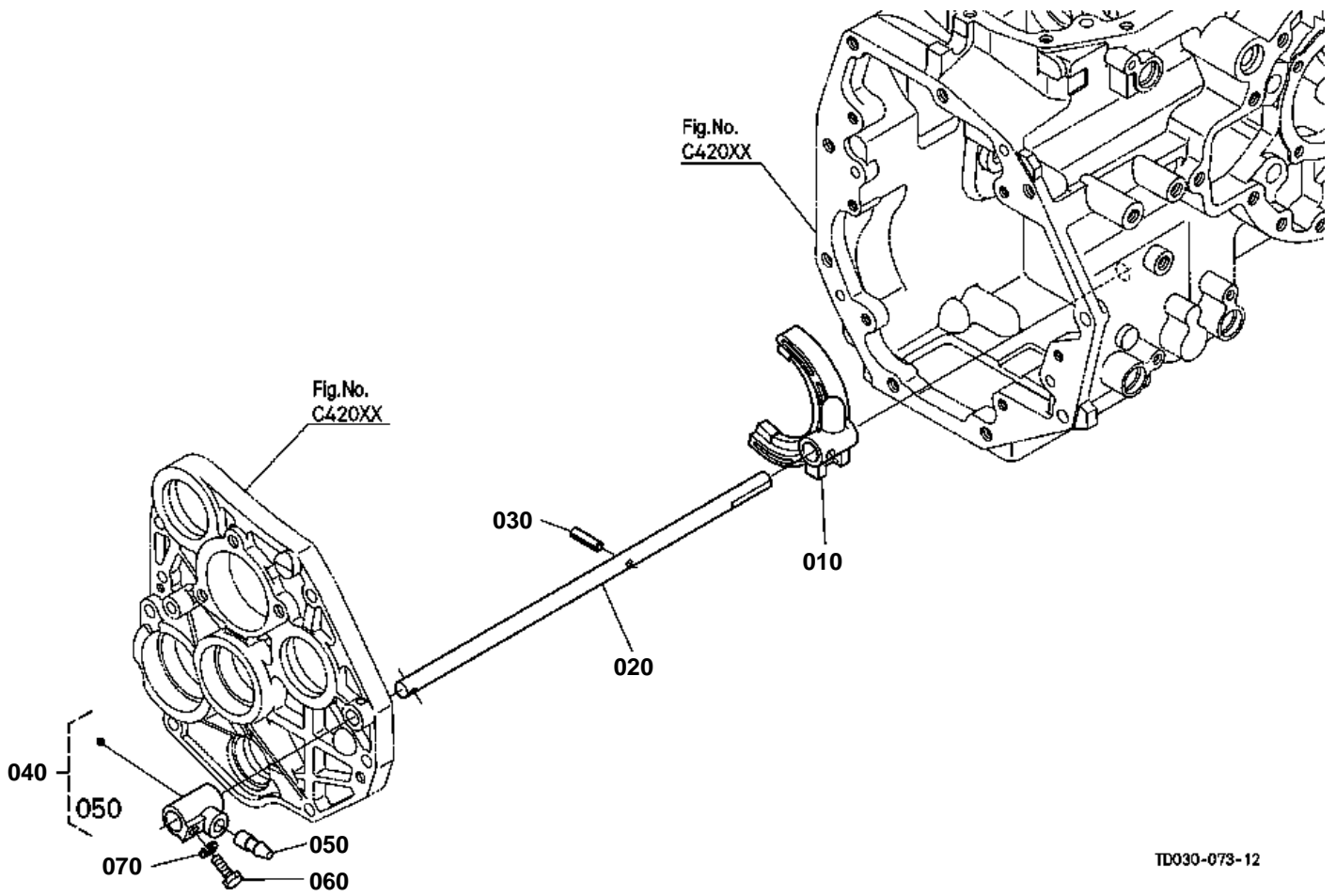


# RANGE GEAR SHIFT FORK [MANUAL T/M TYPE]

↔ Interchangeable; ≠ not interchangeable; ← new for old; → old for new

REF.No	Part No.	Description	Q'ty	S.No.	I/C	REMARKS	Weight (kgf)	Weight (lb)
010	T1150-24400	FORK SHIFT	1				0.16	0.352
020	TD050-24410	ROD FORK	1				0.255	0.561
030	05411-00625	PIN SPRING	1				0.004	0.0088
040	T1060-24180	SPRING	1				0.003	0.0066
050	07715-01605	BALL	1				0.003	0.0066
060	T1060-24420	ARM RANGE SHIFT	1				0.205	0.451
070	04816-00200	O RING	2				0.003	0.0066
080	34070-24350	STOPPER	1				0.02	0.044
090	01754-50812	BOLT FLANGE	1				0.01	0.022

RANGE GEAR SHIFT FORK [GST TYPE]



ID030-073-12

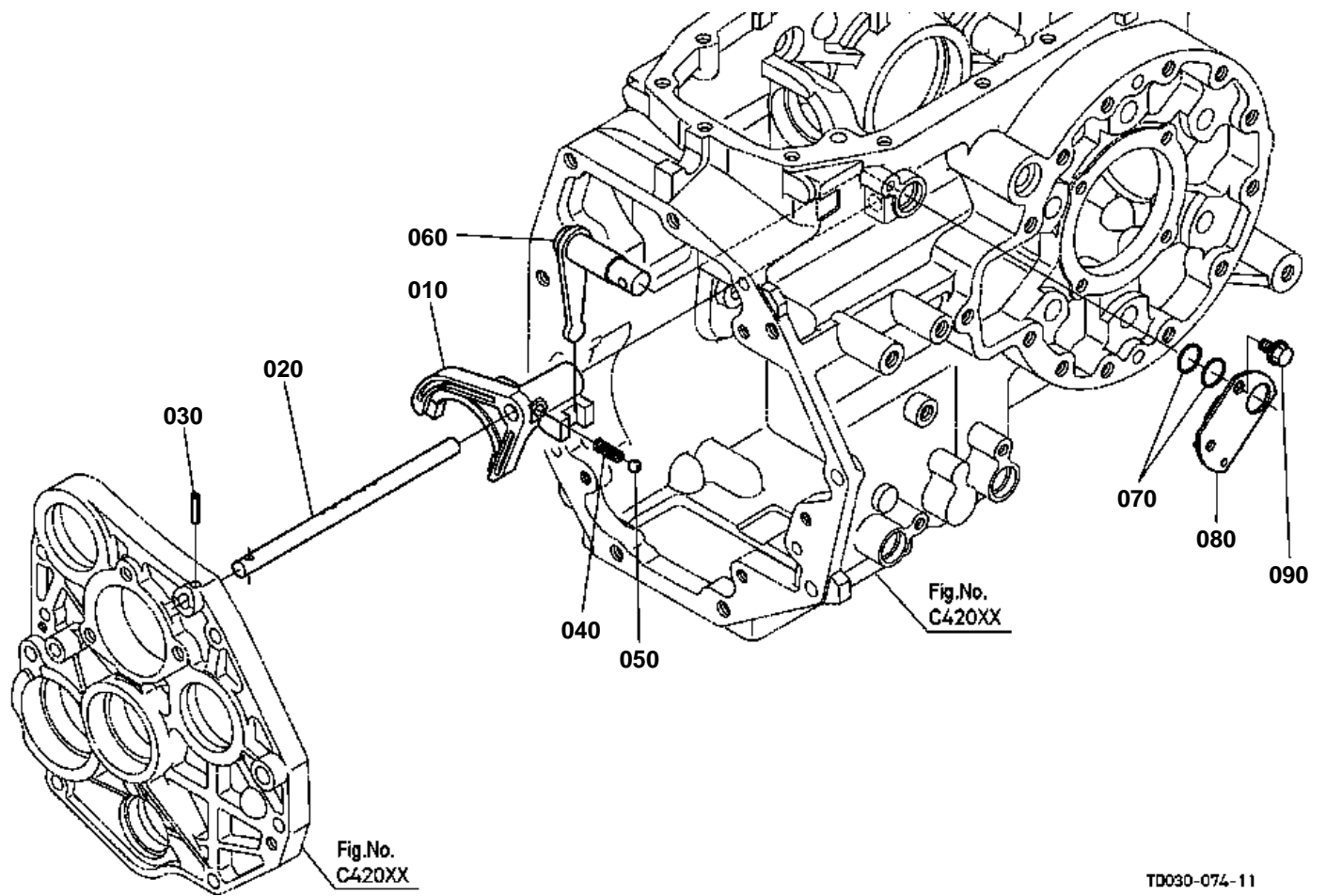


# RANGE GEAR SHIFT FORK [GST TYPE]

↔ Interchangeable; ≠ not interchangeable; ← new for old; → old for new

REF.No	Part No.	Description	Q'ty	S.No.	I/C	REMARKS	Weight (kgf)	Weight (lb)
010	T1153-24400	FORK RANGE SHIFT	1				0.155	0.341
020	TD060-64410	ROD FORK	1				0.5	1.1
030	05411-00625	PIN SPRING	1				0.004	0.0088
040	T1063-64410	ASSY SHIFTER GST	1				0.125	0.275
050	34076-64170	PIN SHIFT	1				0.02	0.044
060	31351-23570	BOLT FORK LOCK	1				0.007	0.0154
070	04512-60060	WASHER SPRING	1				0.001	0.0022

RANGE GEAR SHIFT FORK [HST TYPE]



TD030-074-11

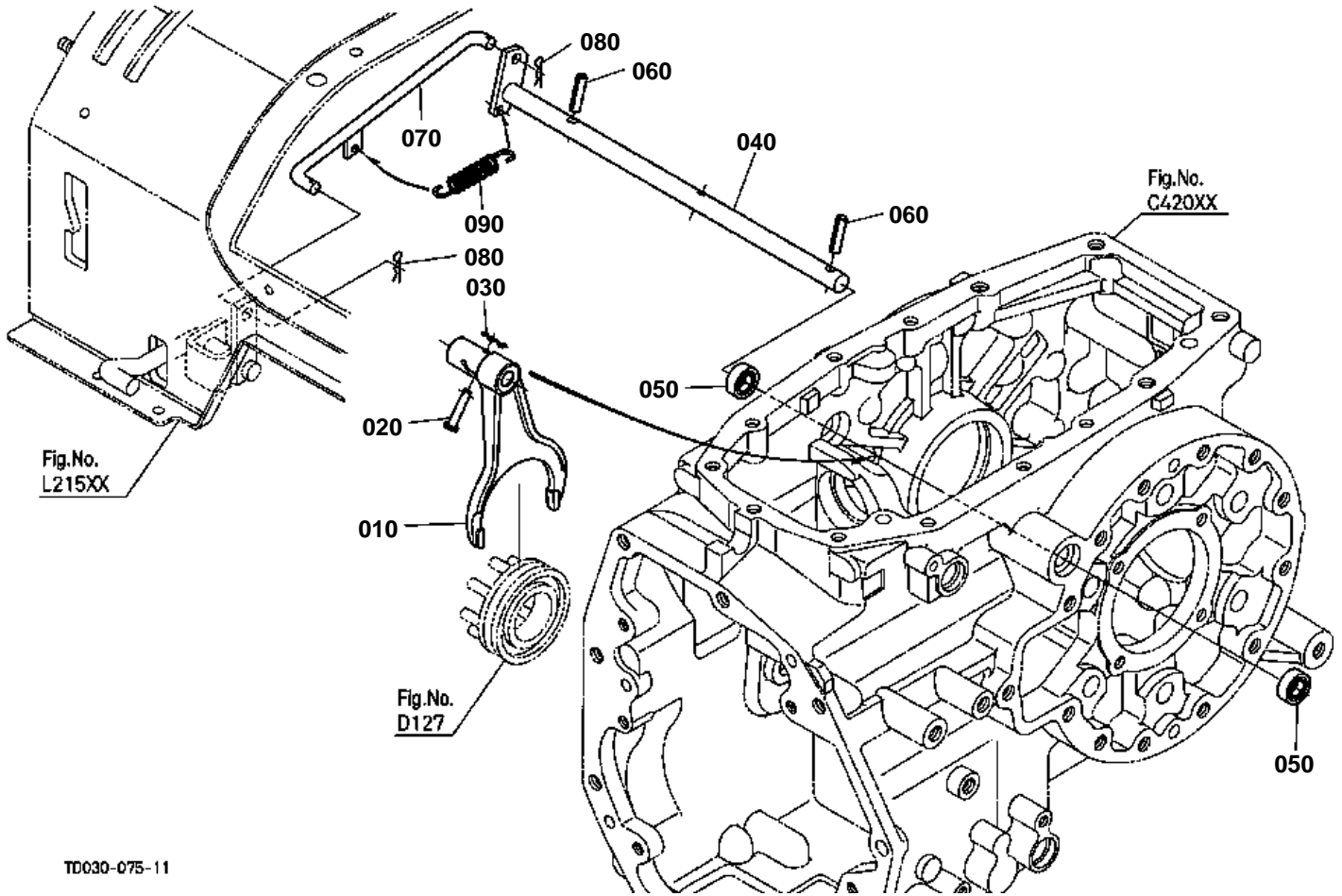


# RANGE GEAR SHIFT FORK [HST TYPE]

↔ Interchangeable; ≠ not interchangeable; ← new for old; → old for new

REF.No	Part No.	Description	Q'ty	S.No.	I/C	REMARKS	Weight (kgf)	Weight (lb)
010	TD060-54500	FORK RANGE SHIFT	1				0.21	0.462
020	TD060-54410	ROD RANGE SHIFT	1				0.186	0.4092
030	05411-00522	PIN SPRING	1				0.002	0.0044
040	32530-23730	SPRING	1				0.001	0.0022
050	07715-01605	BALL	1				0.003	0.0066
060	TD060-54420	ARM SHIFT	1				0.25	0.55
070	04816-00200	O RING	2				0.003	0.0066
080	TD060-54430	STOPPER	1				0.08	0.176
090	01754-50812	BOLT FLANGE	1				0.01	0.022

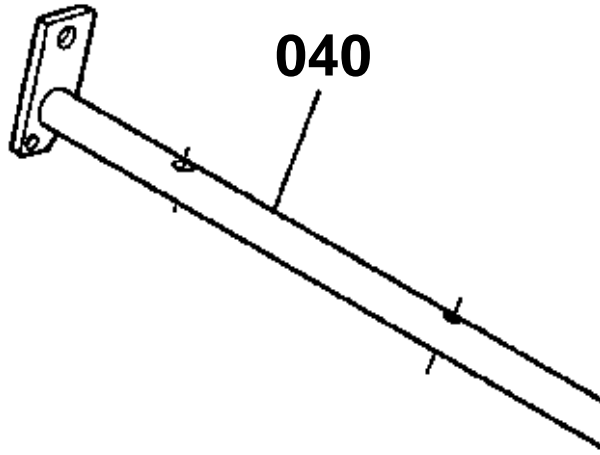
DIFFERENTIAL LOCK SHIFT FORK [EXCEPT HST TYPE]



TD030-075-11



# OLD PARTS



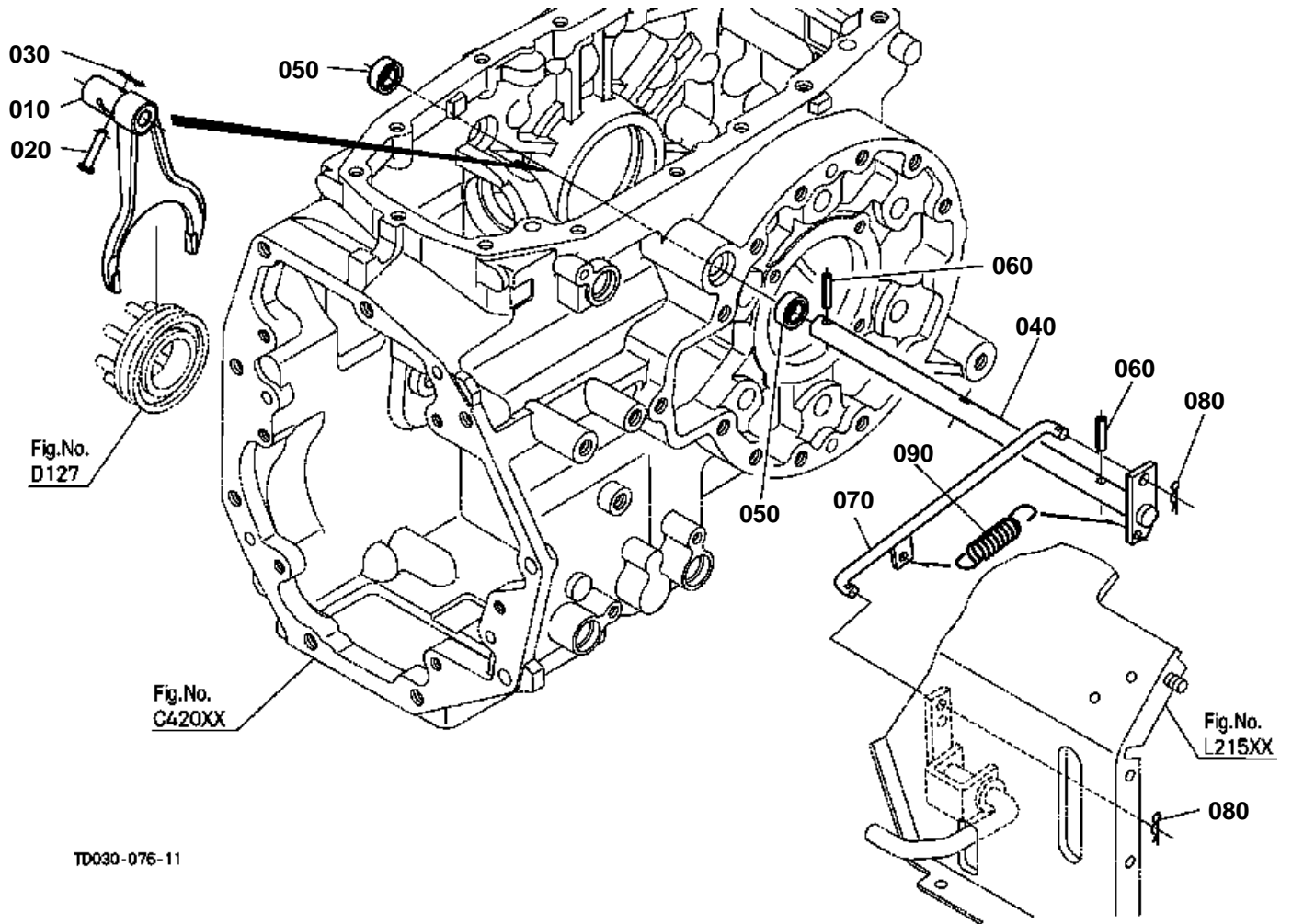
TD060-819-10

**DIFFERENTIAL LOCK SHIFT FORK [EXCEPT HST TYPE]**

↔ Interchangeable; ≠ not interchangeable; ← new for old; → old for new

REF.No	Part No.	Description	Q'ty	S.No.	I/C	REMARKS	Weight (kgf)	Weight (lb)
010	31351-26632	FORK DIFF.LOCK SHIFT	1				0.465	1.023
020	31351-26620	PIN JOINT	1				0.008	0.0176
030	50080-34110	PIN SNAP	1				0.001	0.0022
040	T1060-28400	SHAFT FORK	1	≤38032			0.618	1.3596
040	T1060-28402	SHAFT FORK	1	≥38033	←		0.618	1.3596
050	09500-16287	SEAL OIL	2				0.01	0.022
060	05411-00635	PIN SPRING	2				0.005	0.011
070	T1150-28410	ROD DIFF.LOCK	1				0.105	0.231
080	05515-60800	PIN SNAP	2				0.002	0.0044
090	37150-15840	SPRING	1				0.06	0.132

DIFFERENTIAL LOCK SHIFT FORK [HST TYPE] [ROPS TYPE]



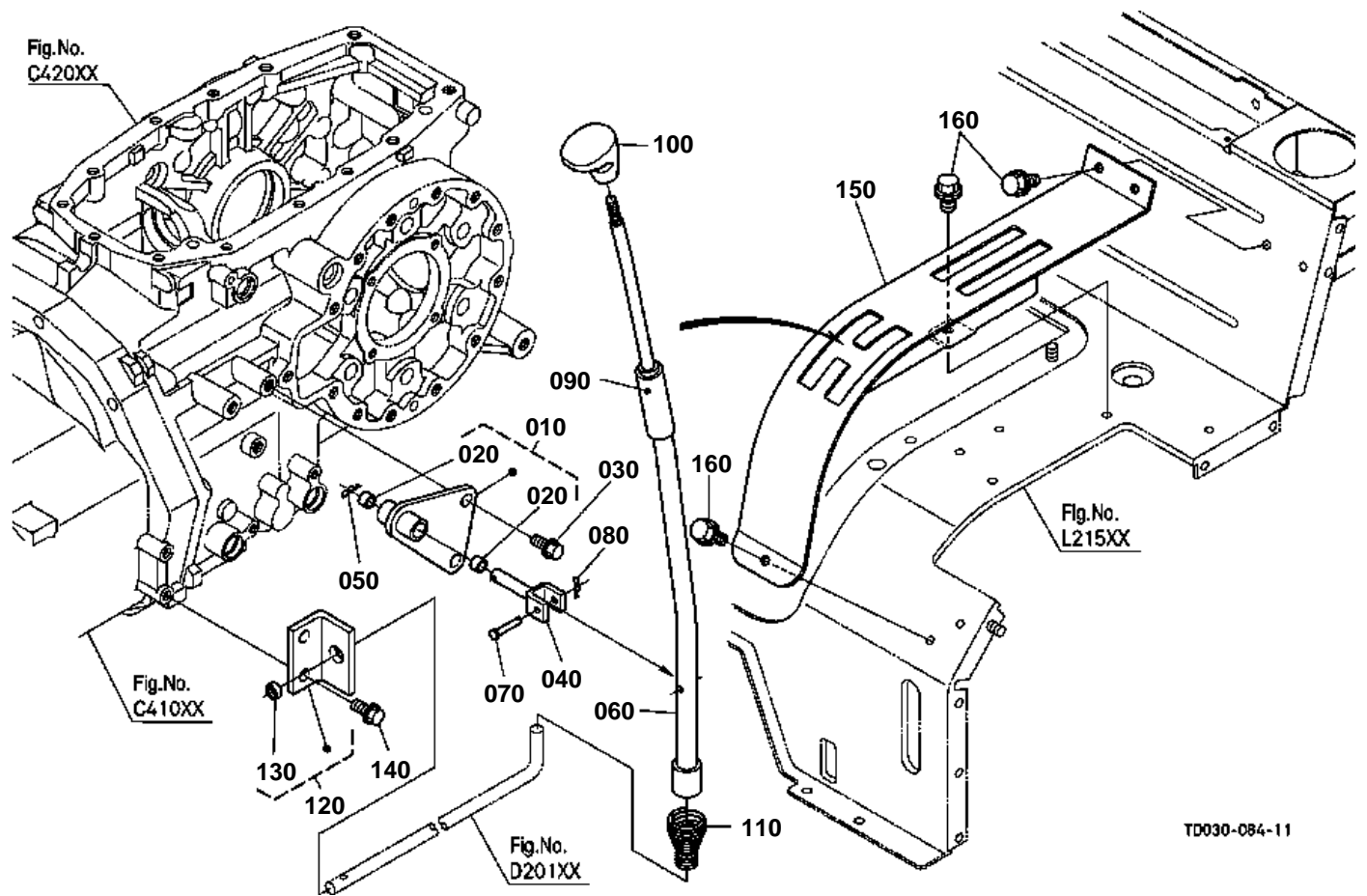
TD030-076-11

**DIFFERENTIAL LOCK SHIFT FORK [HST TYPE] [ROPS TYPE]**

↔ Interchangeable; ≠ not interchangeable; ← new for old; → old for new

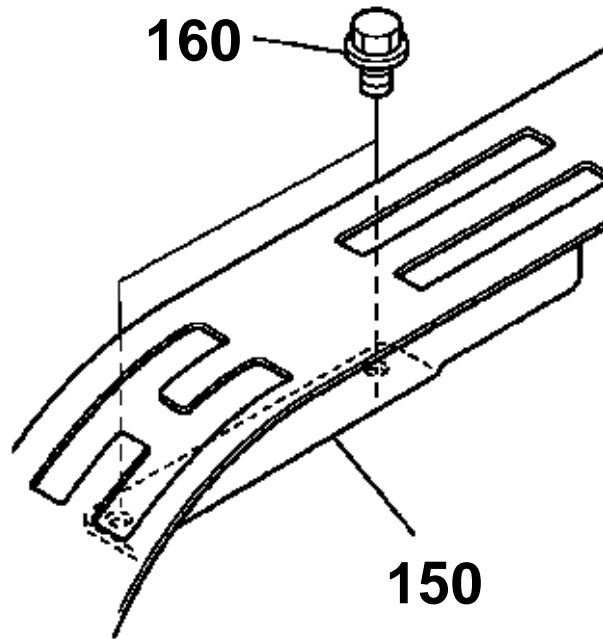
REF.No	Part No.	Description	Q'ty	S.No.	I/C	REMARKS	Weight (kgf)	Weight (lb)
010	31351-26632	FORK DIFF.LOCK SHIFT	1				0.465	1.023
020	31351-26620	PIN JOINT	1				0.008	0.0176
030	50080-34110	PIN SNAP	1				0.001	0.0022
040	TD060-52800	SHAFT FORK	1				0.56	1.232
050	09500-16287	SEAL OIL	2				0.01	0.022
060	05411-00635	PIN SPRING	2				0.005	0.011
070	T1150-28410	ROD DIFF.LOCK	1				0.105	0.231
080	05515-60800	PIN SNAP	2				0.002	0.0044
090	37150-15840	SPRING	1				0.06	0.132

MAIN GEAR SHIFT LEVER [MANUAL T/M TYPE]



TD030-084-11

## OLD PARTS



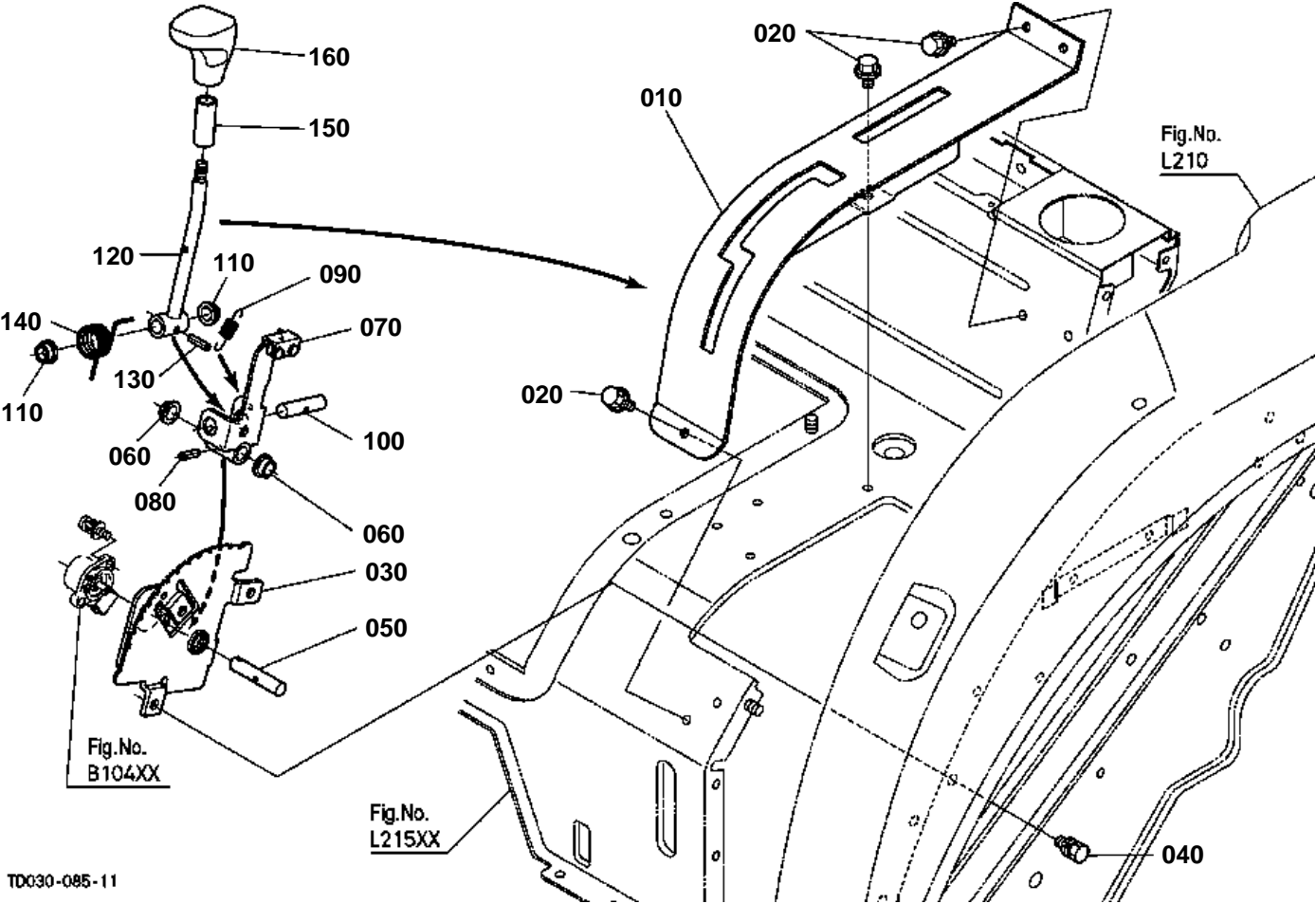
TD060-823-10

**MAIN GEAR SHIFT LEVER [MANUAL T/M TYPE]**

↔ Interchangeable; ≠ not interchangeable; ← new for old; → old for new

REF.No	Part No.	Description	Q'ty	S.No.	I/C	REMARKS	Weight (kgf)	Weight (lb)
010	T1150-24250	ASSY BRACKET	1				0.35	0.77
020	T1060-24220	BUSH	2				0.004	0.0088
030	01774-61020	BOLT FLANGE	2				0.022	0.0484
040	T1060-24230	U JOINT	1				0.11	0.242
050	05515-61200	PIN SNAP	1				0.005	0.011
060	TD050-24212	LEVER MAIN SHIFT	1				1.13	2.486
070	05122-50635	PIN JOINT	1				0.01	0.022
080	05525-60600	PIN SNAP	1				0.001	0.0022
090	67950-42530	PIPE LEVER	1				0.015	0.033
100	T1060-24240	GRIP LEVER	1				0.078	0.1716
110	T1060-24690	SPRING RETURN	1				0.042	0.0924
120	T1150-24290	ASSY SUPPORT ROD	1				0.225	0.495
130	08511-01310	BUSH	1				0.004	0.0088
140	01754-50816	BOLT FLANGE	2				0.011	0.0242
150	TD050-47100	GUIDE	1	≤38032			1.25	2.75
150	TD050-47103	GUIDE	1	≥38033	←		1.25	2.75
160	30400-18870	BOLT FLANGE	5	≤38032			0.01	0.022
160	30400-18870	BOLT FLANGE	4	≥38033			0.01	0.022

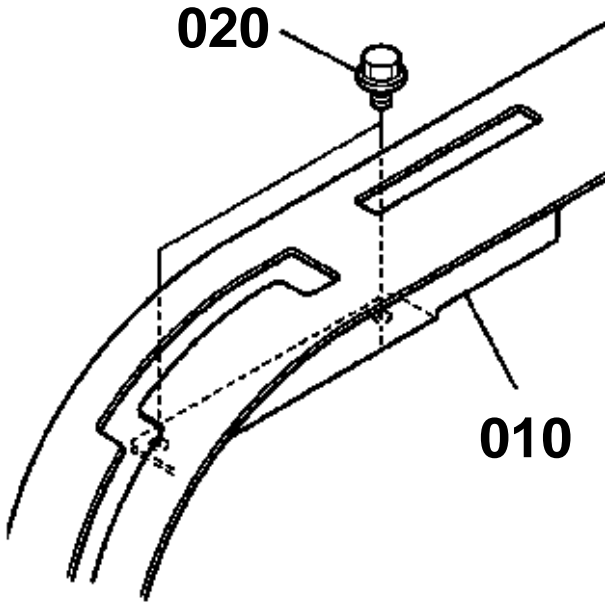
MAIN GEAR SHIFT LEVER [GST TYPE]



TD030-085-11



# OLD PARTS



TD060-824-10

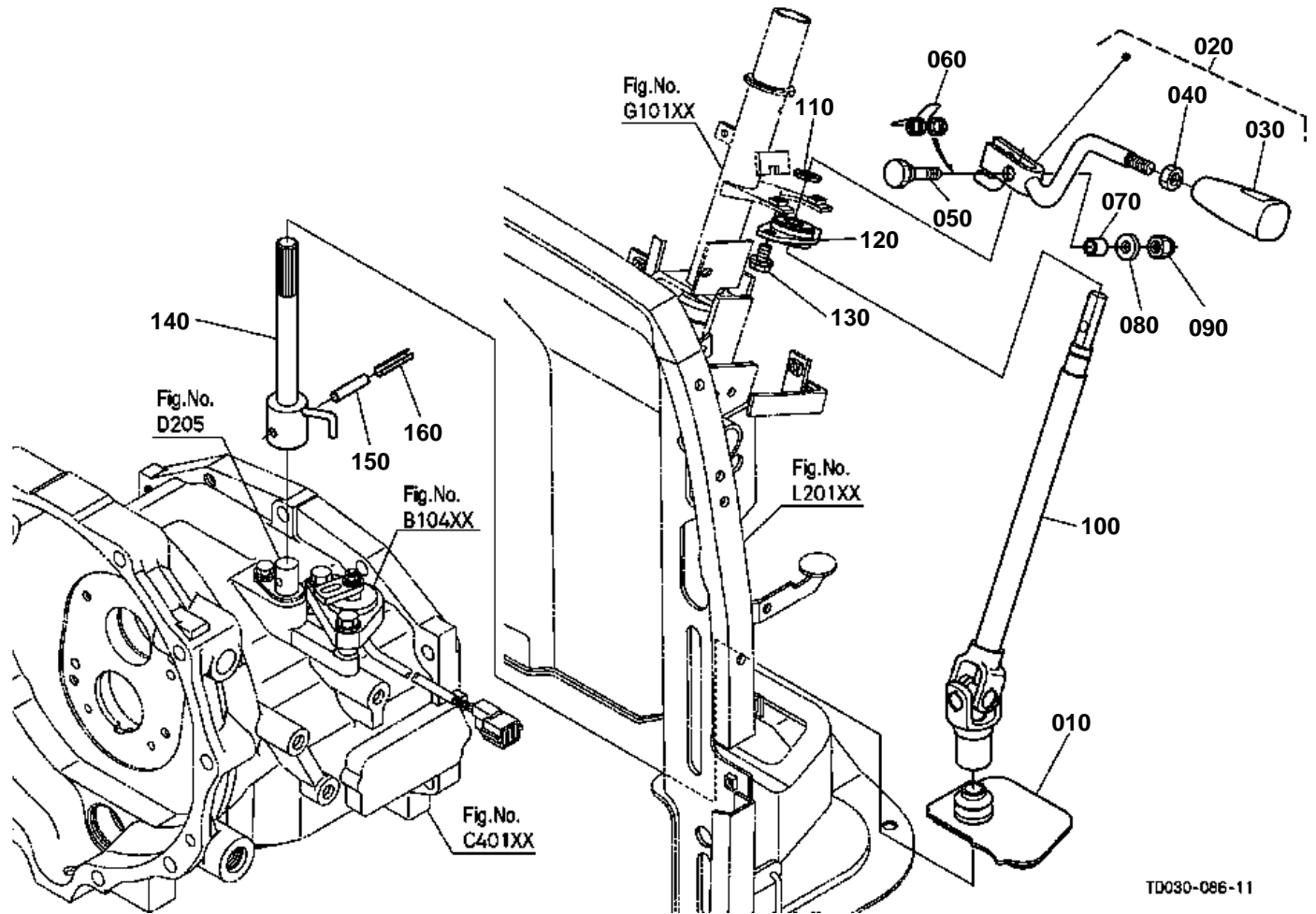


# MAIN GEAR SHIFT LEVER [GST TYPE]

↔ Interchangeable; ≠ not interchangeable; ← new for old; → old for new

REF.No	Part No.	Description	Q'ty	S.No.	I/C	REMARKS	Weight (kgf)	Weight (lb)
010	TD060-67100	GUIDE	1	≤=38032			1.29	2.838
010	TD060-67103	GUIDE	1	≥=38033	←		1.29	2.838
020	30400-18870	BOLT FLANGE	5	≤=38032			0.01	0.022
020	30400-18870	BOLT FLANGE	4	≥=38033			0.01	0.022
030	T1063-64810	PLATE	1				0.505	1.111
040	01123-50812	BOLT	3				0.1	0.22
050	T1063-64830	SHAFT LEVER GST	1				0.04	0.088
060	T1063-64840	BUSH	2				0.001	0.0022
070	T1063-64820	PLATE GST LEVER	1				0.15	0.33
080	05411-00522	PIN SPRING	1				0.002	0.0044
090	T1063-64890	SPRING	1				0.004	0.0088
100	T1063-64860	SHAFT LEVER GST	1				0.037	0.0814
110	T1063-64840	BUSH	2				0.001	0.0022
120	TD060-64870	LEVER SHIFT	1				0.18	0.396
130	05411-00522	PIN SPRING	1				0.002	0.0044
140	T1063-64880	SPRING LEVER GST	1				0.016	0.0352
150	38240-24450	PIPE LEVER	1				0.02	0.044
160	T1060-24240	GRIP LEVER	1				0.078	0.1716

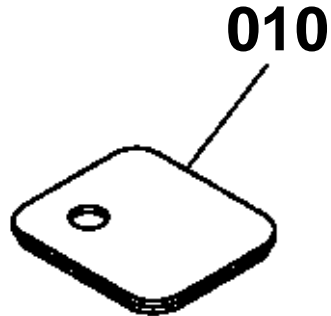
SHUTTLE SHIFT LEVER [EXCEPT HST TYPE]



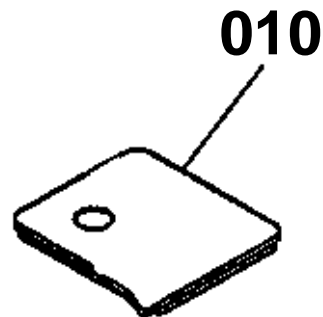
TD030-086-11

## OLD PARTS

S.No. ; A : <=10420, B : <=35755,  
C : <=31192, D : <=10169,  
E : <=31744



S.No. ; A : 10421 to 10461,  
B : 35756 to 36466,  
C : 31193 to 31480,  
D : 10170 to 10181,  
E : 31745 to 32278

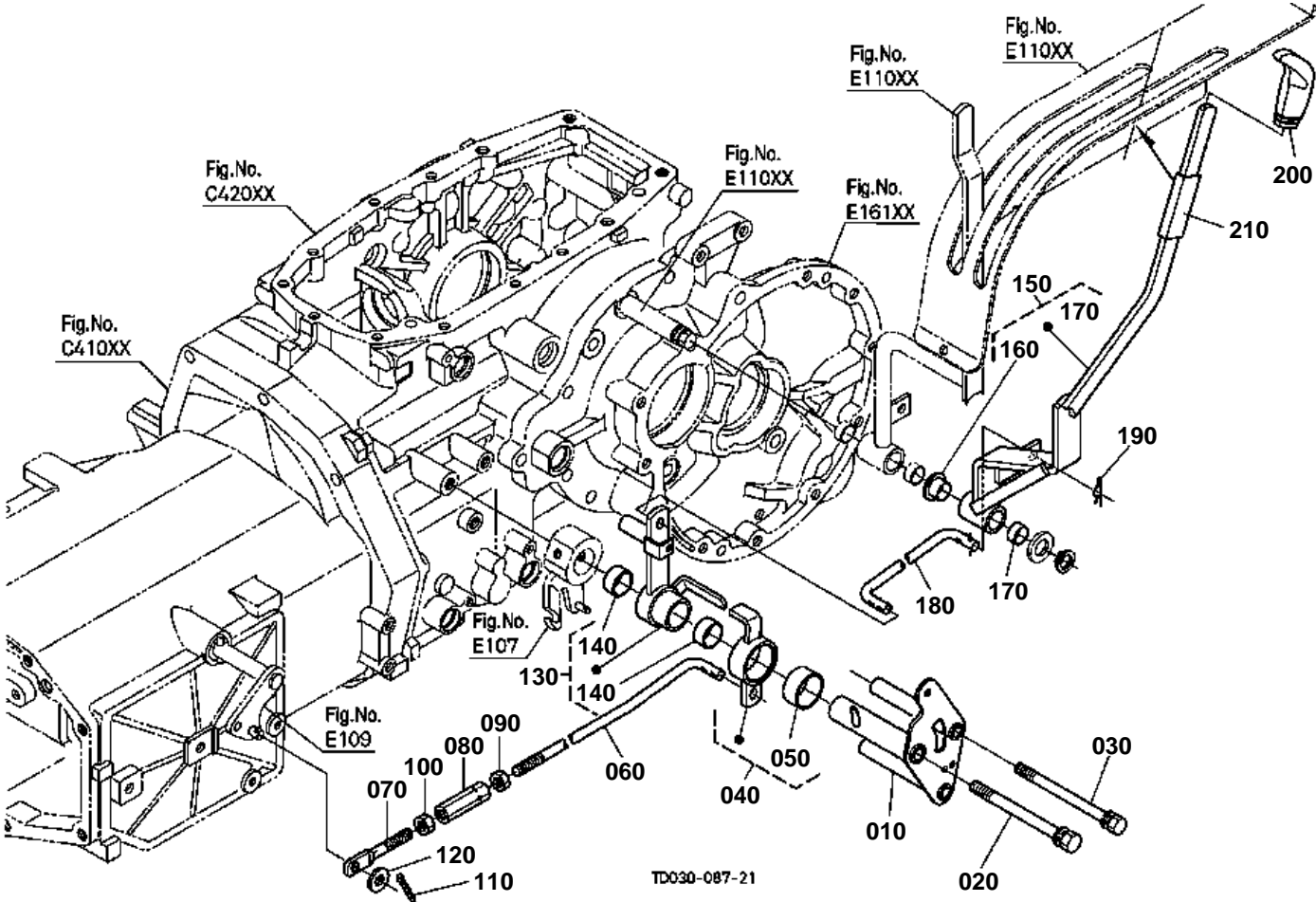


TD030-871-10

**SHUTTLE SHIFT LEVER [EXCEPT HST TYPE]**

↔ Interchangeable; ≠ not interchangeable; ← new for old; → old for new

REF.No	Part No.	Description	Q'ty	S.No.	I/C	REMARKS	Weight (kgf)	Weight (lb)
010	TD060-43320	GROMMET	1	<=35755			0.05	0.11
010	TD060-43322	GROMMET	1	>=35756	←		0.05	0.11
010	T1270-43320	GROMMET	1	>=36467	≠		0.055	0.121
020	TD060-43500	ASSY LEVER SHUTTLE	1				0.36	0.792
030	3G710-34850	GRIP LEVER	1				0.6	1.32
040	02116-50100	NUT	1				0.004	0.0088
050	TA040-43970	BOLT REAMER	1				0.042	0.0924
060	3A211-34562	SPRING	1				0.01	0.022
070	TA040-43920	COLLAR SHUTTLE	1				0.005	0.011
080	04013-60080	WASHER PLAIN	1				0.002	0.0044
090	02552-50080	NUT LOCK	1				0.005	0.011
100	T1060-43590	JOINT UNIVERSAL	1				0.93	2.046
110	T1060-43550	CIR CLIP EXTERNAL	1				0.002	0.0044
120	TA040-43870	BEARING FLANGE	1				0.02	0.044
130	01754-50616	BOLT FLANGE	2				0.006	0.0132
140	T1060-43530	SHAFT SHUTTLE SHIFT	1				0.395	0.869
150	05411-00630	PIN SPRING	1				0.004	0.0088
160	T0270-15310	PIN SPRING	1				0.002	0.0044

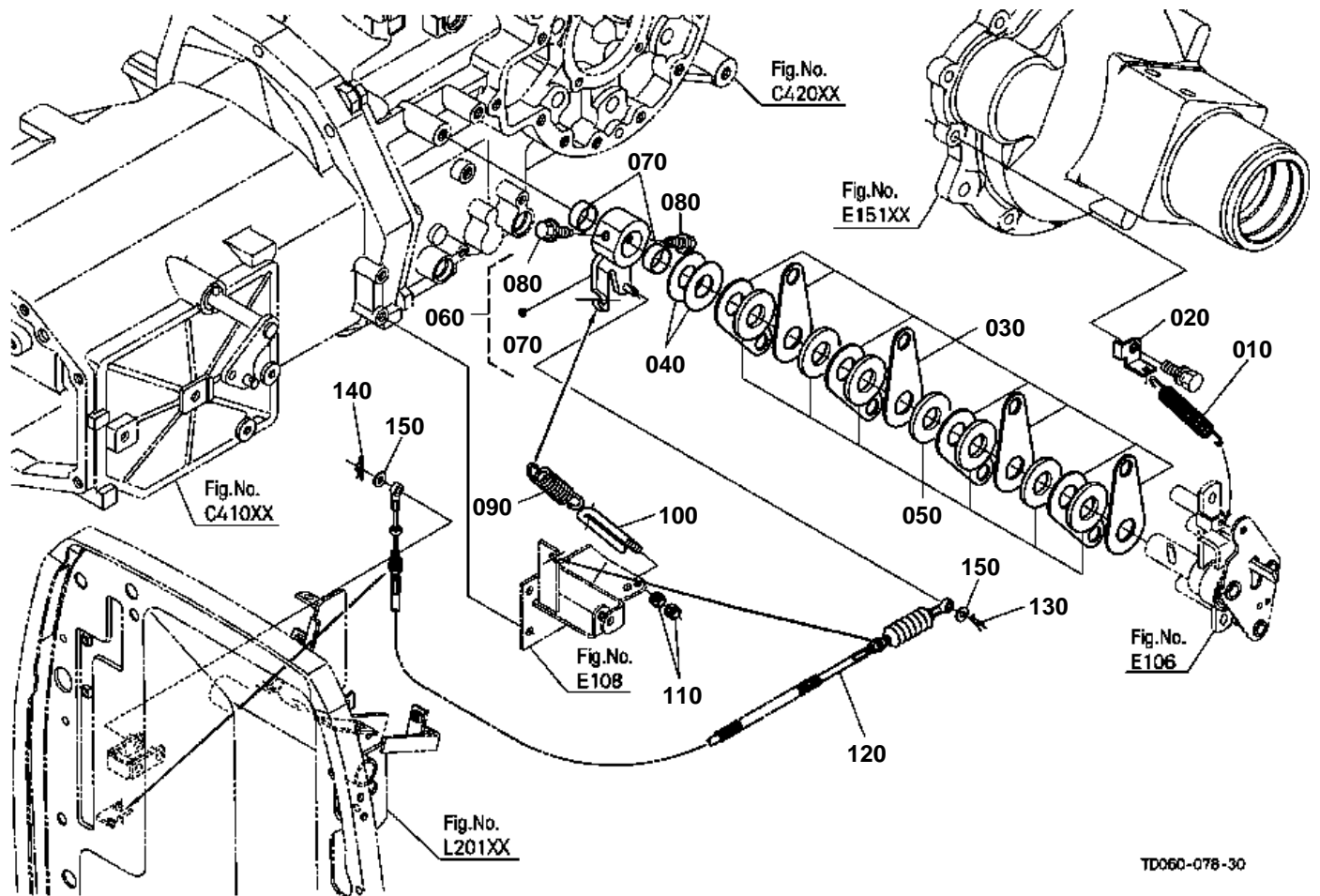


**CRUISE CONTROL LEVER [HST TYPE]**

↔ Interchangeable; ≠ not interchangeable; ← new for old; → old for new

REF.No	Part No.	Description	Q'ty	S.No.	I/C	REMARKS	Weight (kgf)	Weight (lb)
010	TD060-55270	HOLDER	1				0.7	1.54
020	T1170-27380	BOLT REAR AXLE	1				0.12	0.264
030	TD060-55720	BOLT	2				0.085	0.187
040	TD060-55950	ASSY LEVER CONTROL	1				0.19	0.418
050	08511-03520	BUSH	1				0.034	0.0748
060	TD060-55300	ROD	1				0.15	0.33
070	T1150-24380	ROD SHIFT	1				0.041	0.0902
080	37410-42180	TURNBUCKLE	1				0.05	0.11
090	32350-28990	NUT	1				0.009	0.0198
100	02118-50100	NUT	1				0.005	0.011
110	05511-50318	PIN SPLIT	1				0.001	0.0022
120	04011-50100	WASHER PLAIN	1				0.002	0.0044
130	TD060-55910	ASSY LEVER SPEED SET	1				0.38	0.836
140	08511-02510	BUSH	2				0.012	0.0264
150	TD060-55920	ASSY LEVER SPEED SET	1				0.87	1.914
160	T1060-24570	BUSH	1				0.005	0.011
170	T1060-24460	BUSH	1				0.005	0.011
180	TD060-55850	ROD SPEED SET	1				0.17	0.374
190	05515-61000	PIN SNAP	1				0.002	0.0044
200	TD060-55570	GRIP LEVER	1				0.044	0.0968
210	T0430-24480	CUSHION	1	≤32969			0.004	0.0088
210	TD060-55580	CUSHION	1	≥32970	←		0.008	0.0176

CRUISE CONTROL CABLE [HST TYPE]



TD060-078-30



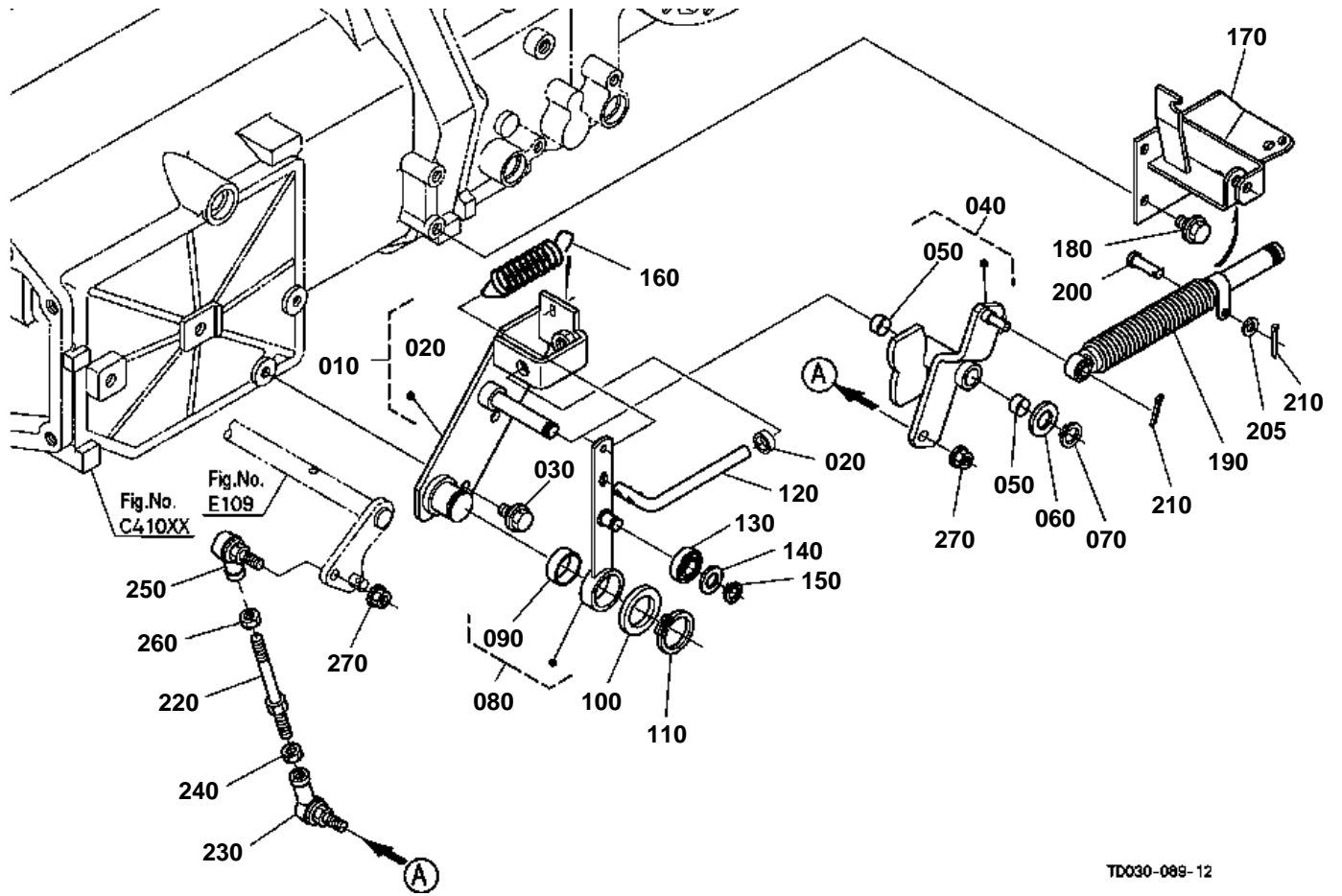


# CRUISE CONTROL CABLE [HST TYPE]

↔ Interchangeable; ≠ not interchangeable; ← new for old; → old for new

REF.No	Part No.	Description	Q'ty	S.No.	I/C	REMARKS	Weight (kgf)	Weight (lb)
010	TD060-55260	SPRING CRUISE	1				0.038	0.0836
020	TD060-55770	PLATE SPRING	1				0.015	0.033
030	TD060-55800	PLATE FRICTION	8				0.025	0.055
040	TD060-55810	SHIM	3	≤35196		0.4mm	0.05	0.11
040	TD060-55810	SHIM	4	≥35197		0.4mm	0.05	0.11
050	TD060-55840	DISK FRICTION	7				0.007	0.0154
060	TD060-55960	ASSY LEVER CRUISE	1				0.44	0.968
070	08511-02510	BUSH	2				0.012	0.0264
080	37500-42250	BOLT	2				0.012	0.0264
090	TD060-55820	SPRING	1				0.03	0.066
100	TD060-55790	ROD ADJUSTING	1				0.025	0.055
110	02056-50060	NUT	2				0.002	0.0044
120	TD060-55703	CABLE CRUISE	1				0.21	0.462
130	05511-51612	PIN SPLIT	1				0.001	0.0022
140	05525-60600	PIN SNAP	1				0.001	0.0022
150	04012-50060	WASHER PLAIN	2				0.001	0.0022

NEUTRAL HOLDER LINK [HST TYPE]



TD030-089-12

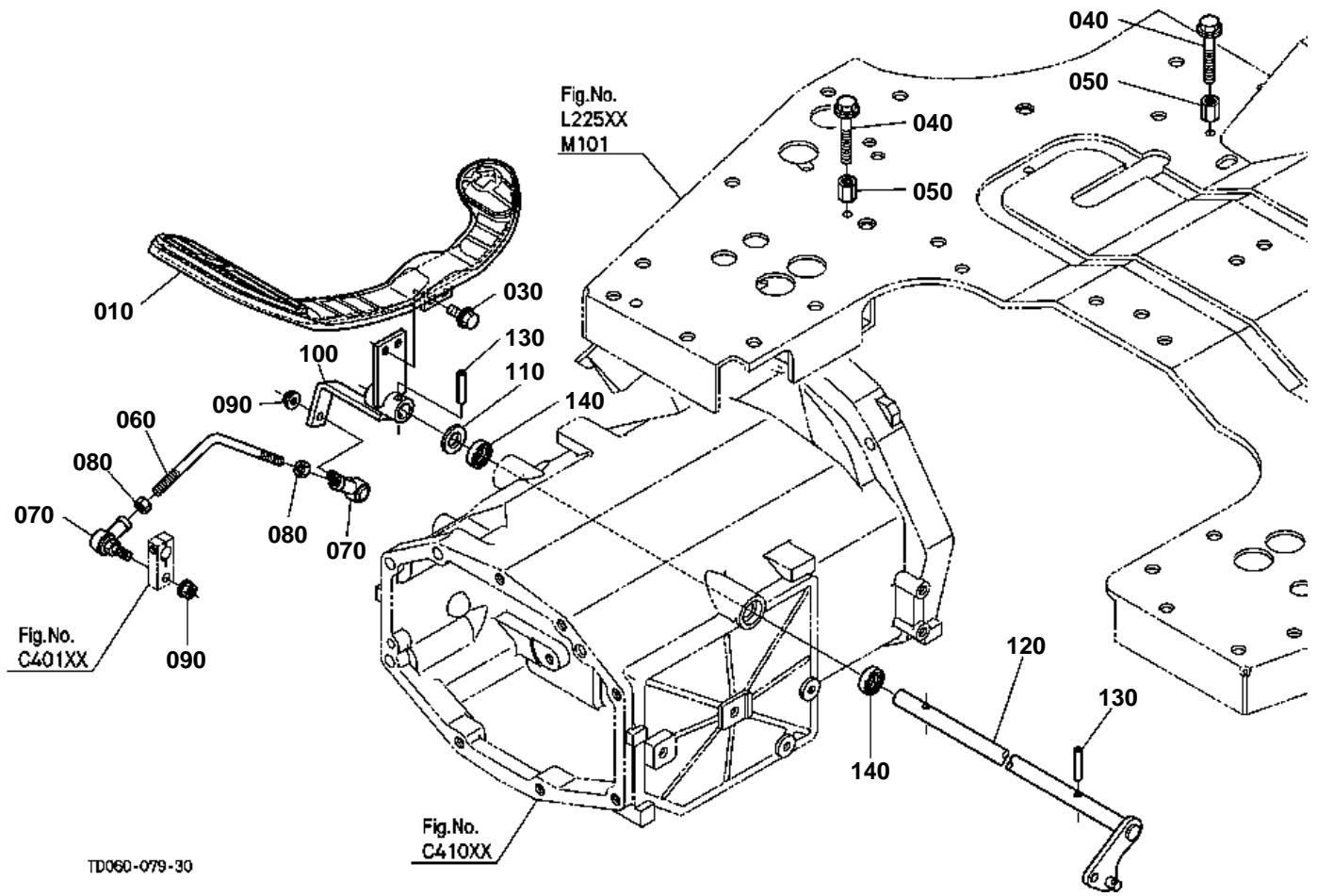


NEUTRAL HOLDER LINK [HST TYPE]

↔ Interchangeable; ≠ not interchangeable; ← new for old; → old for new

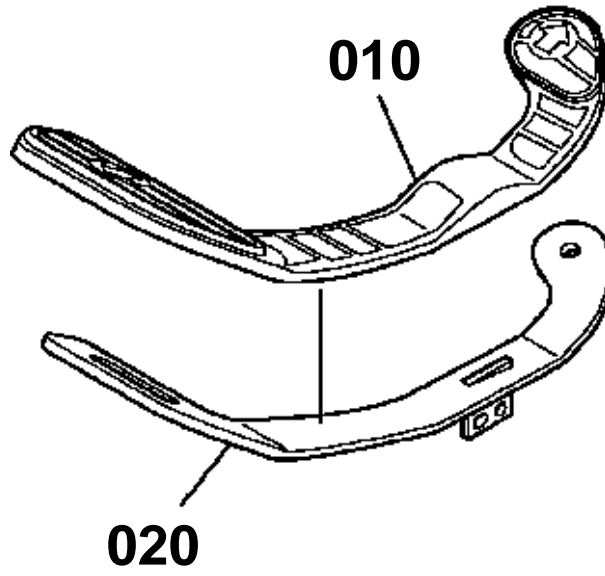
REF.No	Part No.	Description	Q'ty	S.No.	I/C	REMARKS	Weight (kgf)	Weight (lb)
010	TD060-55640	ASSY BRACKET	1	<=46711			0	0
010	TD060-55642	ASSY BRACKET	1	>=46712	←		0.705	1.551
020	08511-01006	BUSH	1				0.008	0.0176
030	01754-50816	BOLT FLANGE	2				0.011	0.0242
040	TD060-55500	ASSY CAM	1	<=30880			0.41	0.902
040	TD060-55503	ASSY CAM	1	>=30881	≠		0.41	0.902
050	08511-01215	BUSH	2				0.005	0.011
060	04013-60120	WASHER PLAIN	1				0.01	0.022
070	04612-00120	CIR CLIP EXTERNAL	1				0.001	0.0022
080	TD060-55650	ASSY ARM	1				0.135	0.297
090	08511-02512	BUSH	1				0.03	0.066
100	04011-50250	WASHER PLAIN	1				0.027	0.0594
110	04612-00250	CIR CLIP EXTERNAL	1				0.002	0.0044
120	TD060-55560	ROD NEUTRAL SWITCH	1				0.052	0.1144
130	08121-06000	BEARING BALL	1				0.02	0.044
140	04011-50100	WASHER PLAIN	1				0.002	0.0044
150	04612-00100	CIR CLIP EXTERNAL	1				0.001	0.0022
160	76611-43320	SPRING	1				0.067	0.1474
170	TD060-55182	BRACKET DAMPER	1	<=30880			0.575	1.265
170	TD060-55183	BRACKET DAMPER	1	>=30881	≠		0.575	1.265
180	01754-50816	BOLT FLANGE	2				0.011	0.0242
190	32721-43350	DAMPER HST	1				0.26	0.572
200	05122-50828	PIN JOINT	1				0.012	0.0264
205	04012-50080	WASHER PLAIN	1				0.001	0.0022
210	05511-50215	PIN SPLIT	2				0.001	0.0022
220	TD060-55230	ROD HST NEUTRAL	1				0.035	0.077
230	54721-31850	BALL LINK	1				0.065	0.143
240	37300-41330	NUT	1				0.005	0.011
250	45404-95770	END ROD	1				0.05	0.11
260	02114-50080	NUT	1				0.005	0.011
270	02751-50080	NUT FLANGE	2				0.006	0.0132

SPEED CONTROL PEDAL [HST TYPE]



TD060-079-30

## OLD PARTS



TD030-804-11

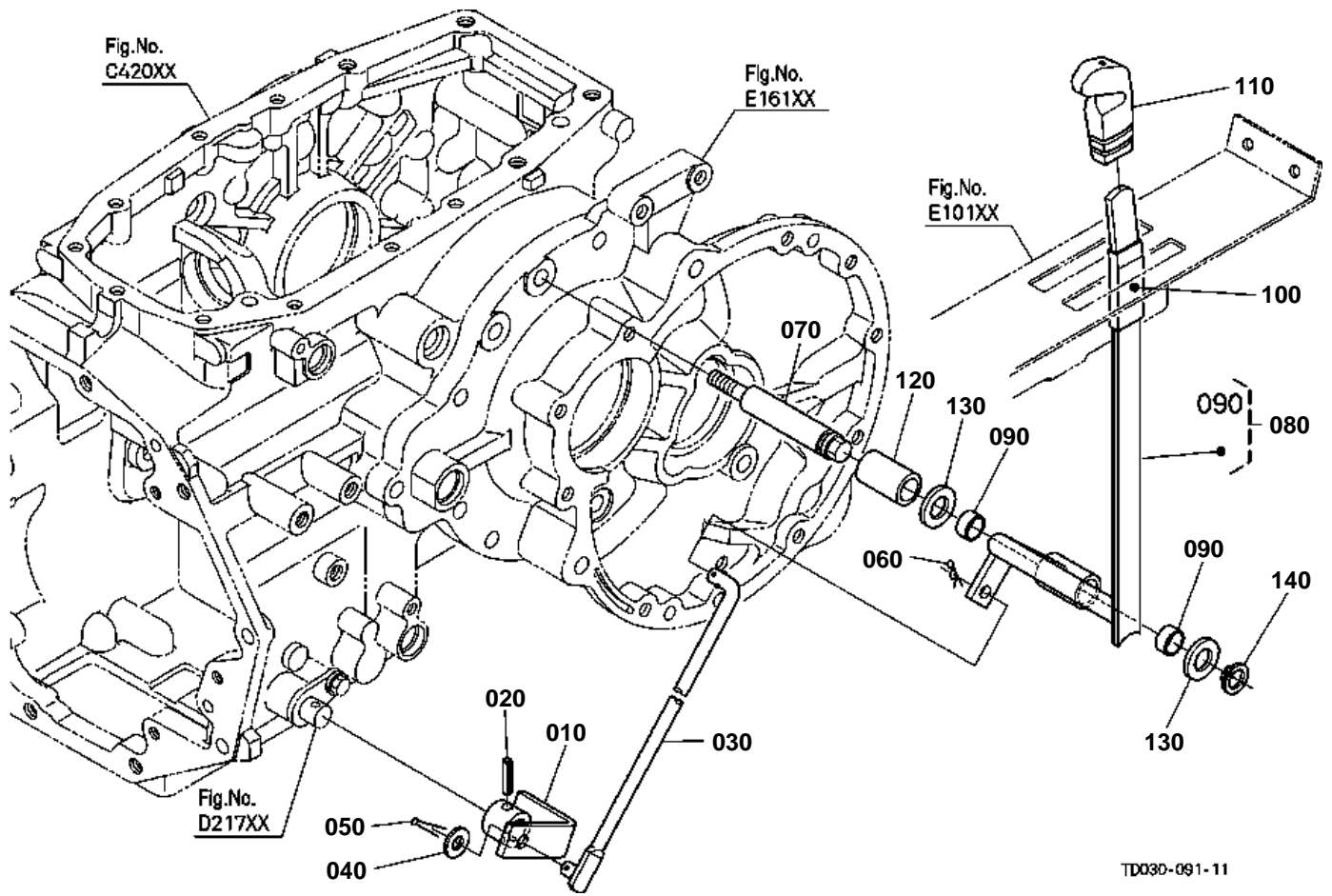


## SPEED CONTROL PEDAL [HST TYPE]

↔ Interchangeable; ≠ not interchangeable; ← new for old; → old for new

REF.No	Part No.	Description	Q'ty	S.No.	I/C	REMARKS	Weight (kgf)	Weight (lb)
010	TD060-55542	COVER HST PEDAL	1	≤33968			0.33	0.726
010	TD060-55543	PEDAL HST CONTROL	1	≥33969	←		0.33	0.726
020	TD060-55112	PEDAL HST	1	≤33968			0.835	1.837
030	01754-50816	BOLT FLANGE	2				0.011	0.0242
040	TA240-55320	BOLT FLANGE	2	≤35196			0.021	0.0462
040	TA240-55322	BOLT FLANGE	2	≥35197	←		0.021	0.0462
050	TA240-55330	NUT	2				0.009	0.0198
060	TD060-55150	ROD HST PEDAL	1				0.15	0.33
070	45404-95770	END ROD	2				0.05	0.11
080	02114-50080	NUT	2				0.005	0.011
090	02751-50080	NUT FLANGE	2				0.006	0.0132
100	TD050-55520	LEVER HST PEDAL	1				0.325	0.715
110	04011-60160	WASHER PLAIN	1				0.01	0.022
120	TD060-55530	SHAFT HST PEDAL	1				0.86	1.892
130	05411-00635	PIN SPRING	2				0.005	0.011
140	09500-16267	SEAL OIL	2				0.005	0.011

RANGE GEAR SHIFT LEVER[MANUAL T/M TYPE]



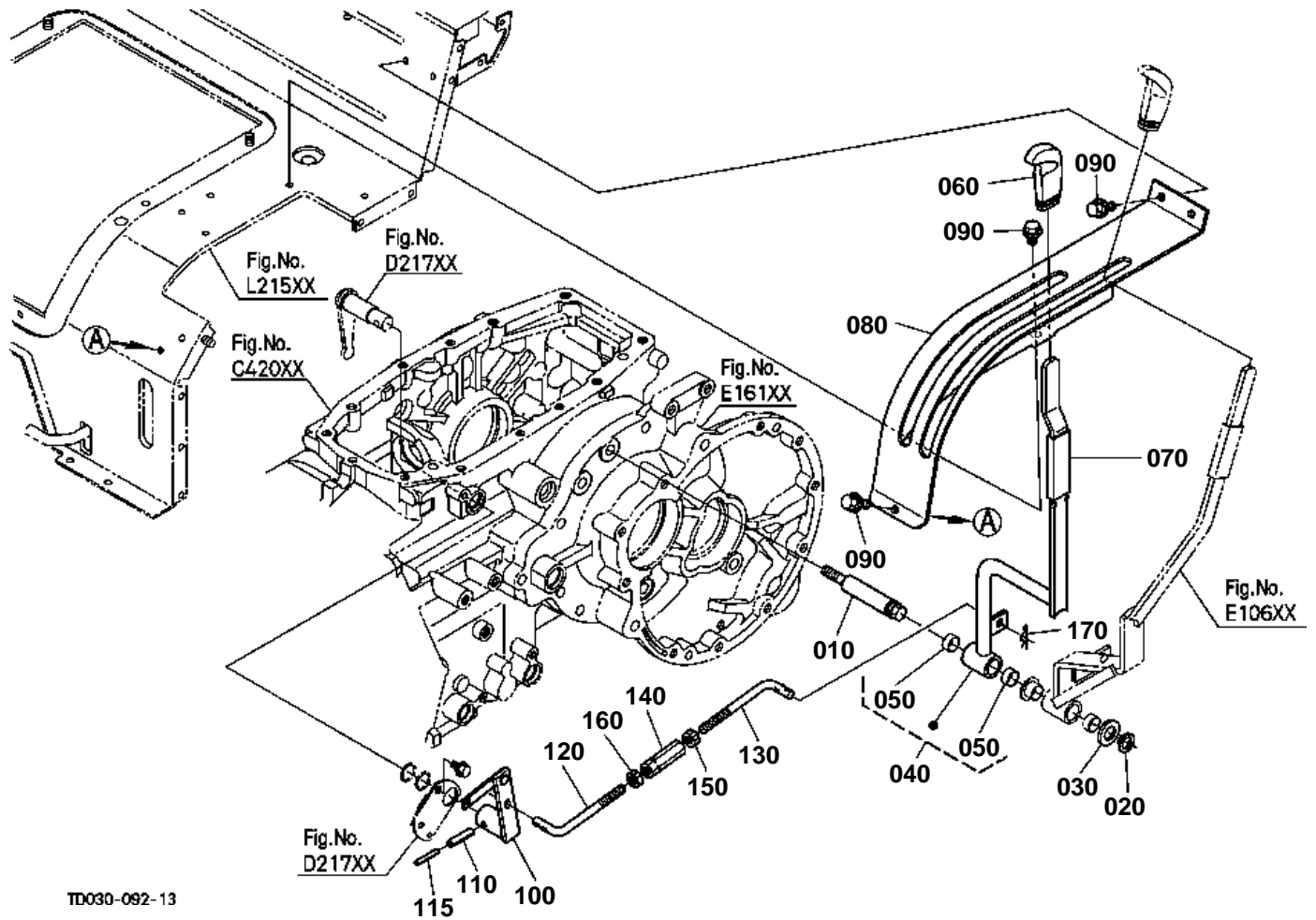
**RANGE GEAR SHIFT LEVER[MANUAL T/M TYPE]**

↔ Interchangeable; ≠ not interchangeable; ← new for old; → old for new

REF.No	Part No.	Description	Q'ty	S.No.	I/C	REMARKS	Weight (kgf)	Weight (lb)
010	T1080-24470	LEVER SUB	1				0.17	0.374
020	05411-00628	PIN SPRING	1				0.004	0.0088
020	05411-00630	PIN SPRING	1		↔		0.004	0.0088
030	T1080-24480	ROD RANGE	1				0.235	0.517
040	04013-60100	WASHER PLAIN	1				0.003	0.0066
050	05511-50318	PIN SPLIT	1				0.001	0.0022
060	05515-61000	PIN SNAP	1				0.002	0.0044
070	T1080-24430	BOLT	1				0.205	0.451
080	TD050-24452	ASSY LEVER SUB	1				0.875	1.925
090	T1060-24460	BUSH	2				0.005	0.011
100	T0070-24570	TUBE CREEP LEVER	1				0.005	0.011
110	TD060-24490	GRIP LEVER	1				0.045	0.099
120	TA040-24580	COLLAR	1				0.062	0.1364
130	04011-50180	WASHER PLAIN	2				0.012	0.0264
140	04612-00180	CIR CLIP EXTERNAL	1				0.001	0.0022

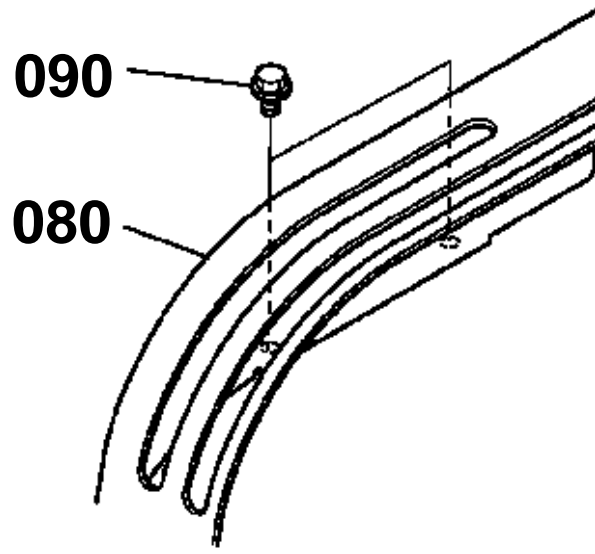


RANGE GEAR SHIFT LEVER [HST TYPE] [ROPS TYPE]



TD030-092-13

# OLD PARTS



TD060-828-10

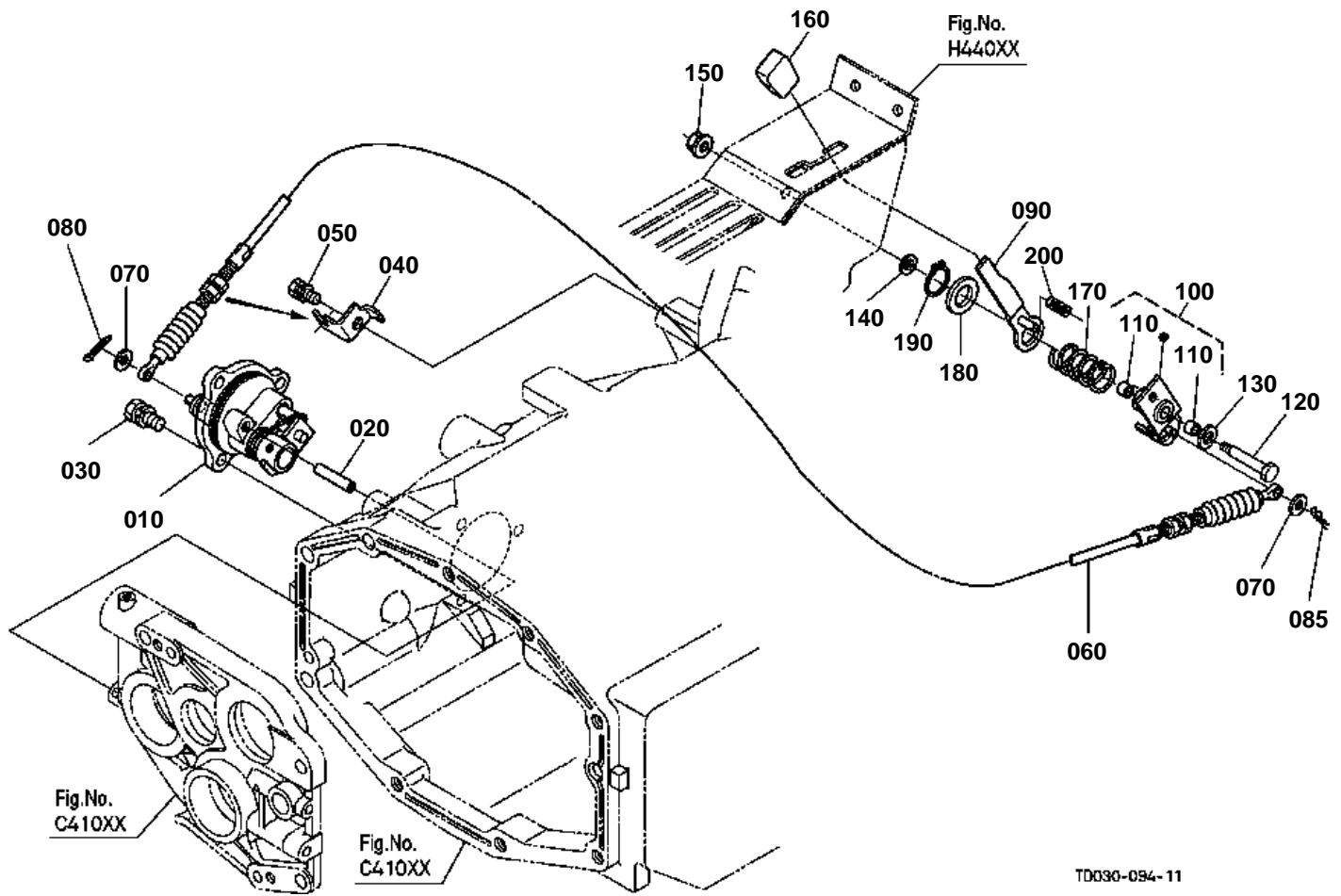


RANGE GEAR SHIFT LEVER [HST TYPE] [ROPS TYPE]

↔ Interchangeable; ≠ not interchangeable; ← new for old; → old for new

REF.No	Part No.	Description	Q'ty	S.No.	I/C	REMARKS	Weight (kgf)	Weight (lb)
010	T1080-24430	BOLT	1				0.205	0.451
020	04612-00180	CIR CLIP EXTERNAL	1				0.001	0.0022
030	04011-50180	WASHER PLAIN	1				0.012	0.0264
040	TD060-54680	ASSY LEVER SHIFT	1				0.86	1.892
050	T1060-24460	BUSH	2				0.005	0.011
060	TD060-24490	GRIP LEVER	1				0.045	0.099
070	6A100-18560	CUSHION	1	≤32969			0.005	0.011
070	KY110-38220	CUSHION	1	≥32970	←		0.009	0.0198
080	TD060-57560	GUIDE HST CAHNGE	1	≤38032			0	0
080	TD060-57563	GUIDE HST CAHNGE	1	≥38033	←		1.22	2.684
090	30400-18870	BOLT FLANGE	5	≤38032			0.01	0.022
090	30400-18870	BOLT FLANGE	4	≥38033			0.01	0.022
100	TD060-54560	LEVER RANGE SHIFT	1				0.225	0.495
110	05411-00628	PIN SPRING	1	≤36088			0.004	0.0088
110	05411-00635	PIN SPRING	1	≥36089	≠		0.005	0.011
115	7C505-57230	PIN SPRING	1	≥30116			0.002	0.0044
115	70451-57350	PIN SPRING	1	≥36089	≠		0.005	0.011
120	TD060-54580	ROD SHIFT	1				0.05	0.11
130	TD060-54590	ROD SHIFT	1				0.05	0.11
140	37410-42180	TURNBUCKLE	1				0.05	0.11
150	02118-50100	NUT	1				0.005	0.011
160	32350-28990	NUT	1				0.009	0.0198
170	05515-61000	PIN SNAP	1				0.002	0.0044

PTO CLUTCH CONTROL LEVER [EXCEPT HST TYPE]



TD030-094-11

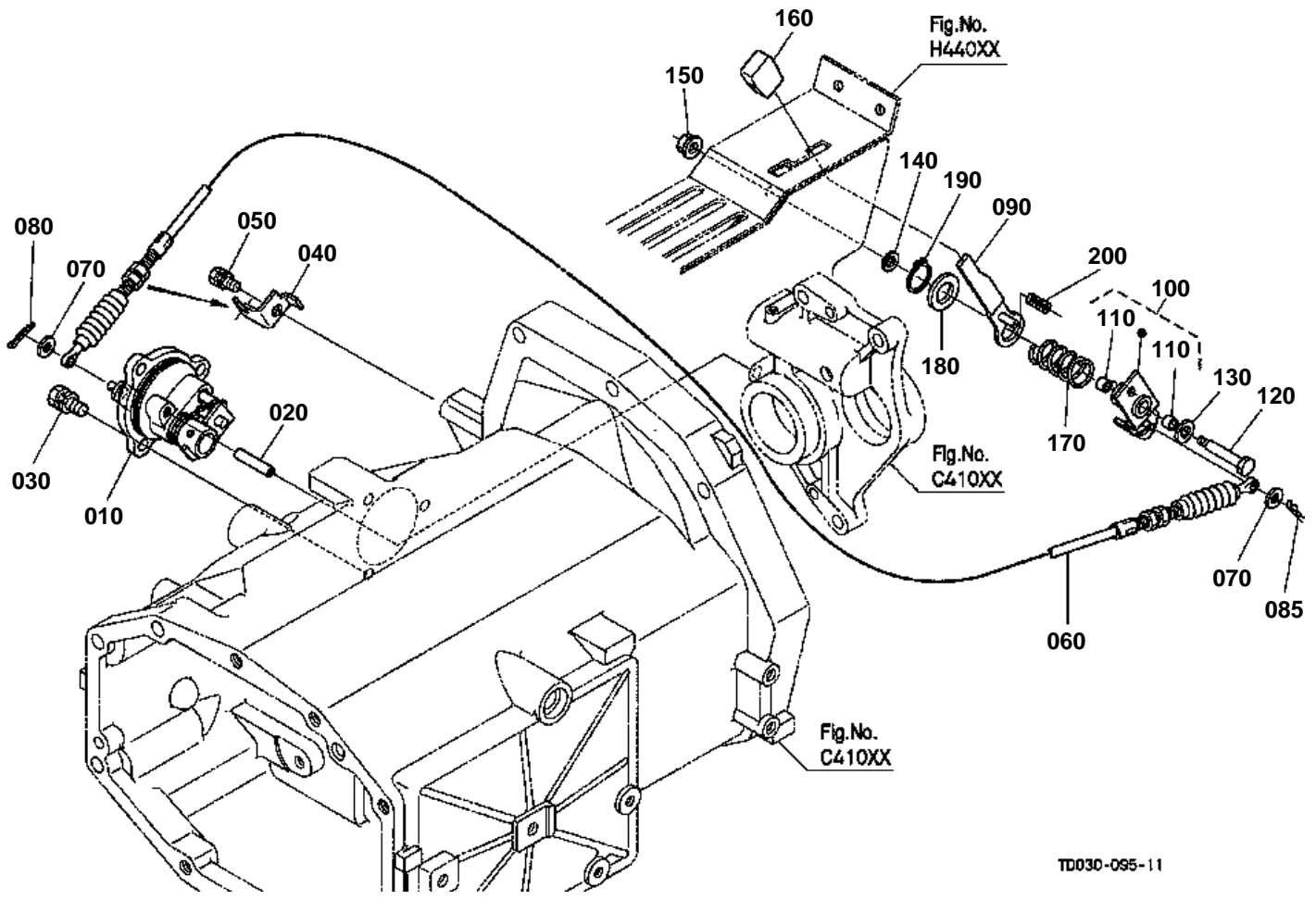


PTO CLUTCH CONTROL LEVER [EXCEPT HST TYPE]

↔ Interchangeable; ≠ not interchangeable; ← new for old; → old for new

REF.No	Part No.	Description	Q'ty	S.No.	I/C	REMARKS	Weight (kgf)	Weight (lb)
010	TD060-69300	ASSY VALVE I-PTO	1				0.91	2.002
020	36530-27273	PIPE HYDRAULIC	1				0.005	0.011
030	01123-50820	BOLT	3				0.011	0.0242
040	TD060-69600	STAY WIRE	1				0.03	0.066
050	01123-60816	BOLT	1				0.01	0.022
060	TD060-24650	WIRE PTO	1				0.135	0.297
070	04012-50060	WASHER PLAIN	2				0.001	0.0022
080	05511-51612	PIN SPLIT	1				0.001	0.0022
085	05525-60600	PIN SNAP	1				0.001	0.0022
090	3A012-27810	LEVER PTO CLUTCH	1				0.049	0.1078
100	TD060-69720	ASSY CAM PTO LEVER	1				0.095	0.209
110	08511-00810	BUSH	2				0.003	0.0066
120	TD060-69740	PIN PTO LEVER	1				0.02	0.044
130	04013-60080	WASHER PLAIN	1				0.002	0.0044
140	04013-60060	WASHER PLAIN	1				0.001	0.0022
150	02014-50060	NUT	1	≤37369			0.002	0.0044
150	02761-50060	NUT FLANGE	1	≥37370	←		0.003	0.0066
160	36919-27820	GRIP PTO LEVER	1				0.015	0.033
170	3A012-27850	SPRING	1				0.005	0.011
180	04011-50180	WASHER PLAIN	1				0.012	0.0264
190	04612-00180	CIR CLIP EXTERNAL	1				0.001	0.0022
200	3A111-27830	SPRING PTO LEVER	1				0.001	0.0022

PTO CLUTCH CONTROL LEVER [HST TYPE]



TD030-095-11

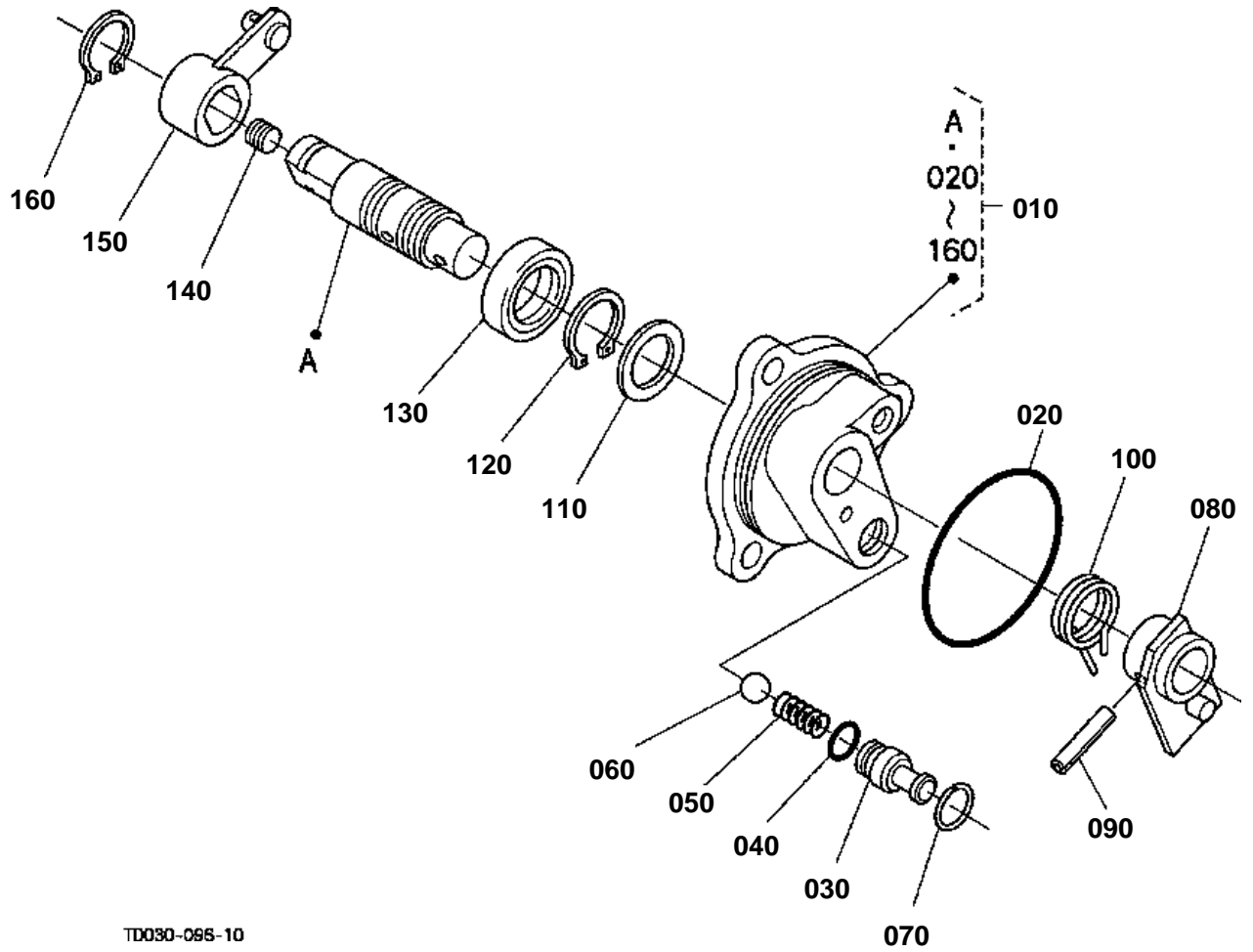


## PTO CLUTCH CONTROL LEVER [HST TYPE]

↔ Interchangeable; ≠ not interchangeable; ← new for old; → old for new

REF.No	Part No.	Description	Q'ty	S.No.	I/C	REMARKS	Weight (kgf)	Weight (lb)
010	TD060-51450	ASSY VALVE I-PTO	1				0.935	2.057
020	36530-27273	PIPE HYDRAULIC	1				0.005	0.011
030	01123-60816	BOLT	1				0.01	0.022
040	TD060-69600	STAY WIRE	1				0.03	0.066
050	01123-60816	BOLT	1				0.01	0.022
060	TD060-57650	WIRE PTO	1				0.115	0.253
070	04012-50060	WASHER PLAIN	2				0.001	0.0022
080	05511-51612	PIN SPLIT	1				0.001	0.0022
085	05525-60600	PIN SNAP	1				0.001	0.0022
090	3A012-27810	LEVER PTO CLUTCH	1				0.049	0.1078
100	TD060-69720	ASSY CAM PTO LEVER	1				0.095	0.209
110	08511-00810	BUSH	2				0.003	0.0066
120	TD060-69740	PIN PTO LEVER	1				0.02	0.044
130	04013-60080	WASHER PLAIN	1				0.002	0.0044
140	04013-60060	WASHER PLAIN	1				0.001	0.0022
150	02014-50060	NUT	1	≤37369			0.002	0.0044
150	02761-50060	NUT FLANGE	1	≥37370	←		0.003	0.0066
160	36919-27820	GRIP PTO LEVER	1				0.015	0.033
170	3A012-27850	SPRING	1				0.005	0.011
180	04011-50180	WASHER PLAIN	1				0.012	0.0264
190	04612-00180	CIR CLIP EXTERNAL	1				0.001	0.0022
200	3A111-27830	SPRING PTO LEVER	1				0.001	0.0022

PTO CLUTCH VALVE [COMPONENT PARTS] [EXCEPT HST TYPE]



TD030-096-10



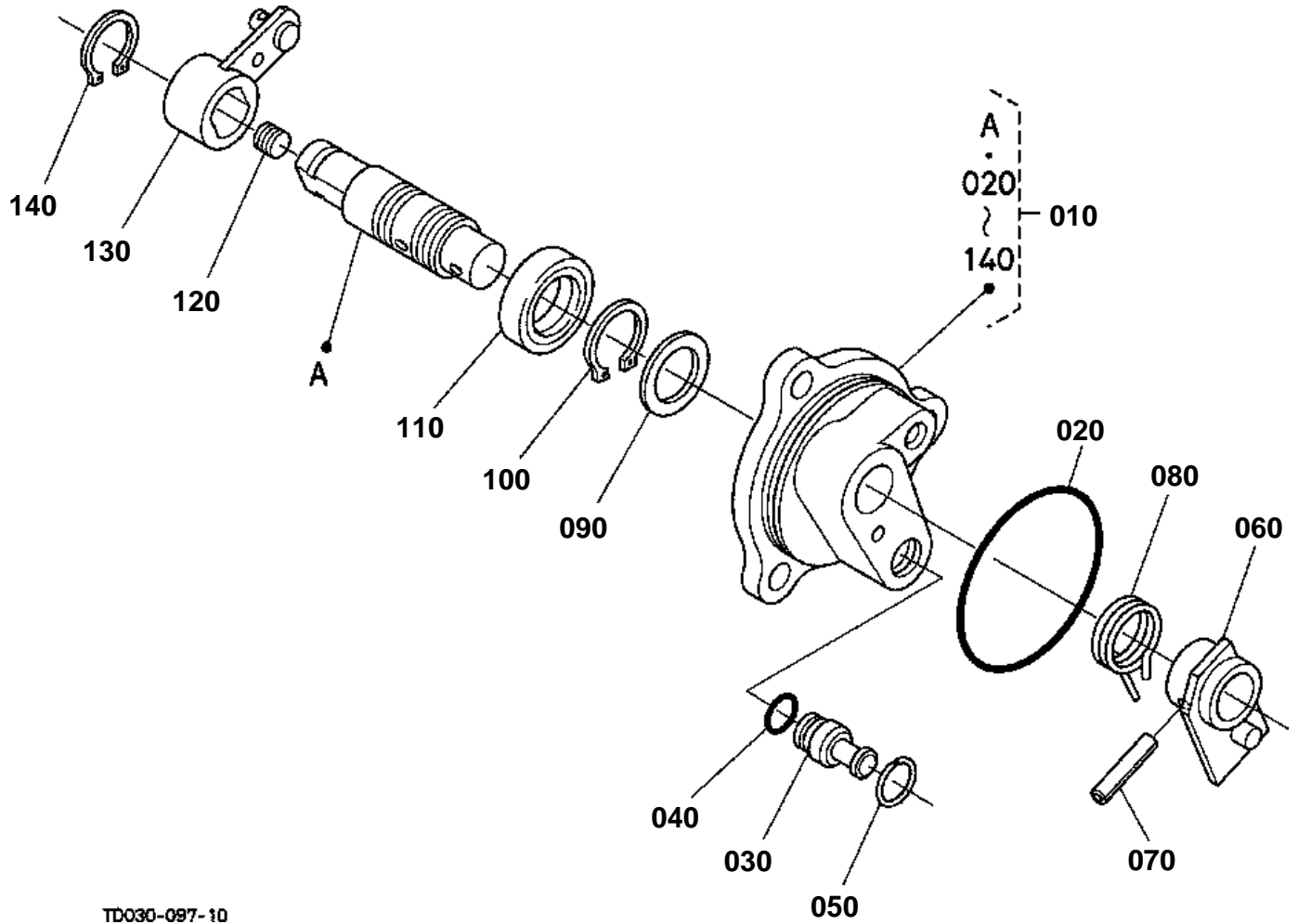


PTO CLUTCH VALVE [COMPONENT PARTS] [EXCEPT HST TYPE]

↔ Interchangeable; ≠ not interchangeable; ← new for old; → old for new

REF.No	Part No.	Description	Q'ty	S.No.	I/C	REMARKS	Weight (kgf)	Weight (lb)
010	TD060-69300	ASSY VALVE I-PTO	1				0.91	2.002
020	04811-06630	O RING	1				0.001	0.0022
030	TA040-69320	PLUG	1				0.006	0.0132
040	04817-00090	O RING	1				0.001	0.0022
050	TA040-69330	SPRING	1				0.001	0.0022
060	07715-03209	BALL	1				0.002	0.0044
070	67401-03690	RING	1				0.001	0.0022
080	TA040-69340	LEVER VALVE ROTOR	1				0.057	0.1254
090	05411-00522	PIN SPRING	1				0.002	0.0044
100	TA040-69360	SPRING	1				0.014	0.0308
110	50770-12180	COLLAR THRUST	1				0.003	0.0066
120	04612-00200	CIR CLIP EXTERNAL	1				0.001	0.0022
130	09500-20358	SEAL OIL	1				0.01	0.022
140	67511-36640	PLUG	1				0.003	0.0066
150	TD060-69370	LEVER VALVE	1				0.05	0.11
160	04612-00180	CIR CLIP EXTERNAL	1				0.001	0.0022

PTO CLUTCH VALVE [COMPONENT PARTS] [HST TYPE]



TD030-097-10

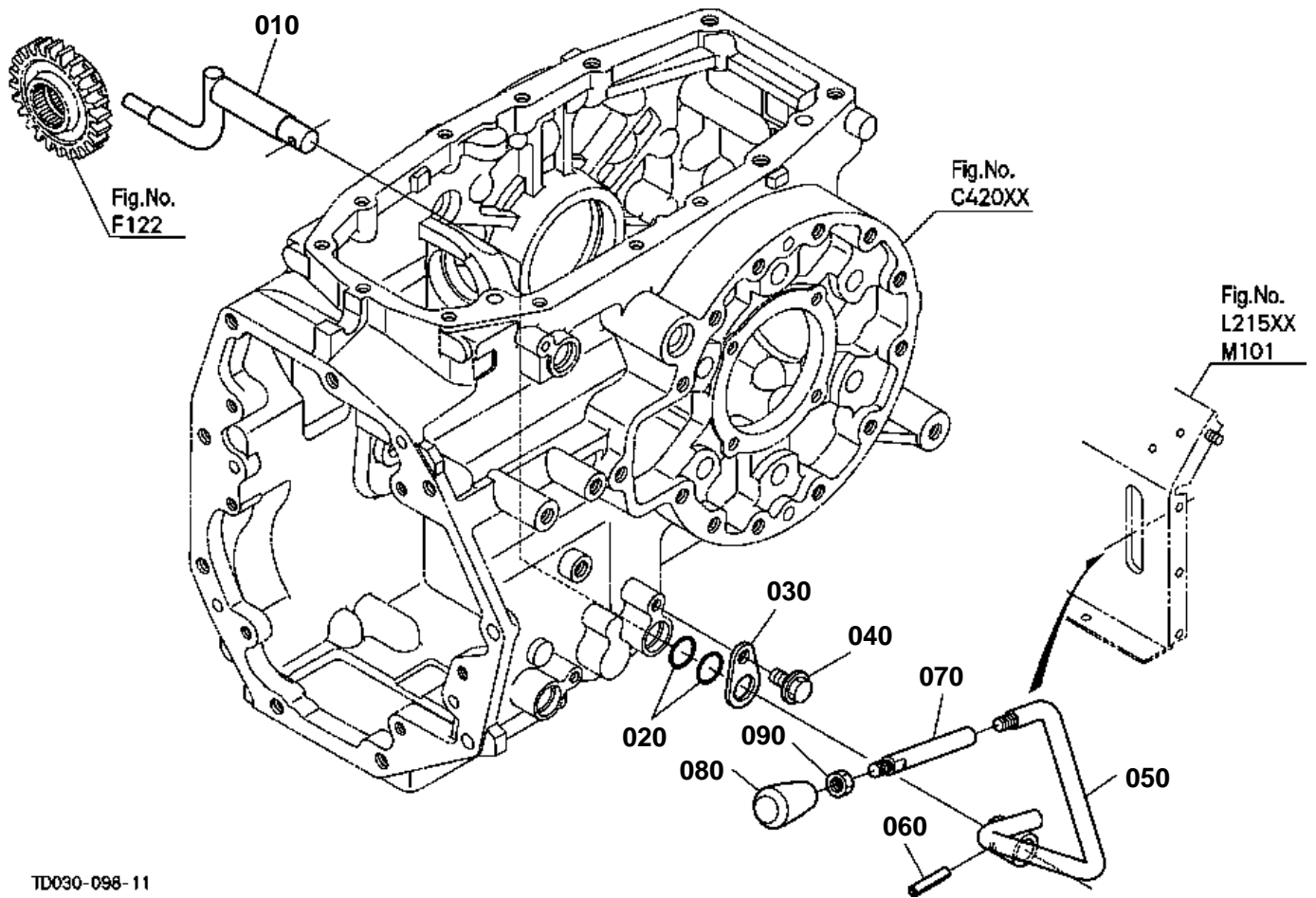


# PTO CLUTCH VALVE [COMPONENT PARTS] [HST TYPE]

↔ Interchangeable; ≠ not interchangeable; ← new for old; → old for new

REF.No	Part No.	Description	Q'ty	S.No.	I/C	REMARKS	Weight (kgf)	Weight (lb)
010	TD060-51450	ASSY VALVE I-PTO	1				0.935	2.057
020	04811-06630	O RING	1				0.001	0.0022
030	TA040-69320	PLUG	1				0.006	0.0132
040	04817-00090	O RING	1				0.001	0.0022
050	67401-03690	RING	1				0.001	0.0022
060	TA040-69340	LEVER VALVE ROTOR	1				0.057	0.1254
070	05411-00522	PIN SPRING	1				0.002	0.0044
080	TA040-69360	SPRING	1				0.014	0.0308
090	50770-12180	COLLAR THRUST	1				0.003	0.0066
100	04612-00200	CIR CLIP EXTERNAL	1				0.001	0.0022
110	09500-20358	SEAL OIL	1				0.01	0.022
120	67511-36640	PLUG	1				0.003	0.0066
130	TD060-51460	LEVER VALVE	1				0.05	0.11
140	04612-00180	CIR CLIP EXTERNAL	1				0.001	0.0022

FRONT WHEEL DRIVE LEVER



TD030-098-11

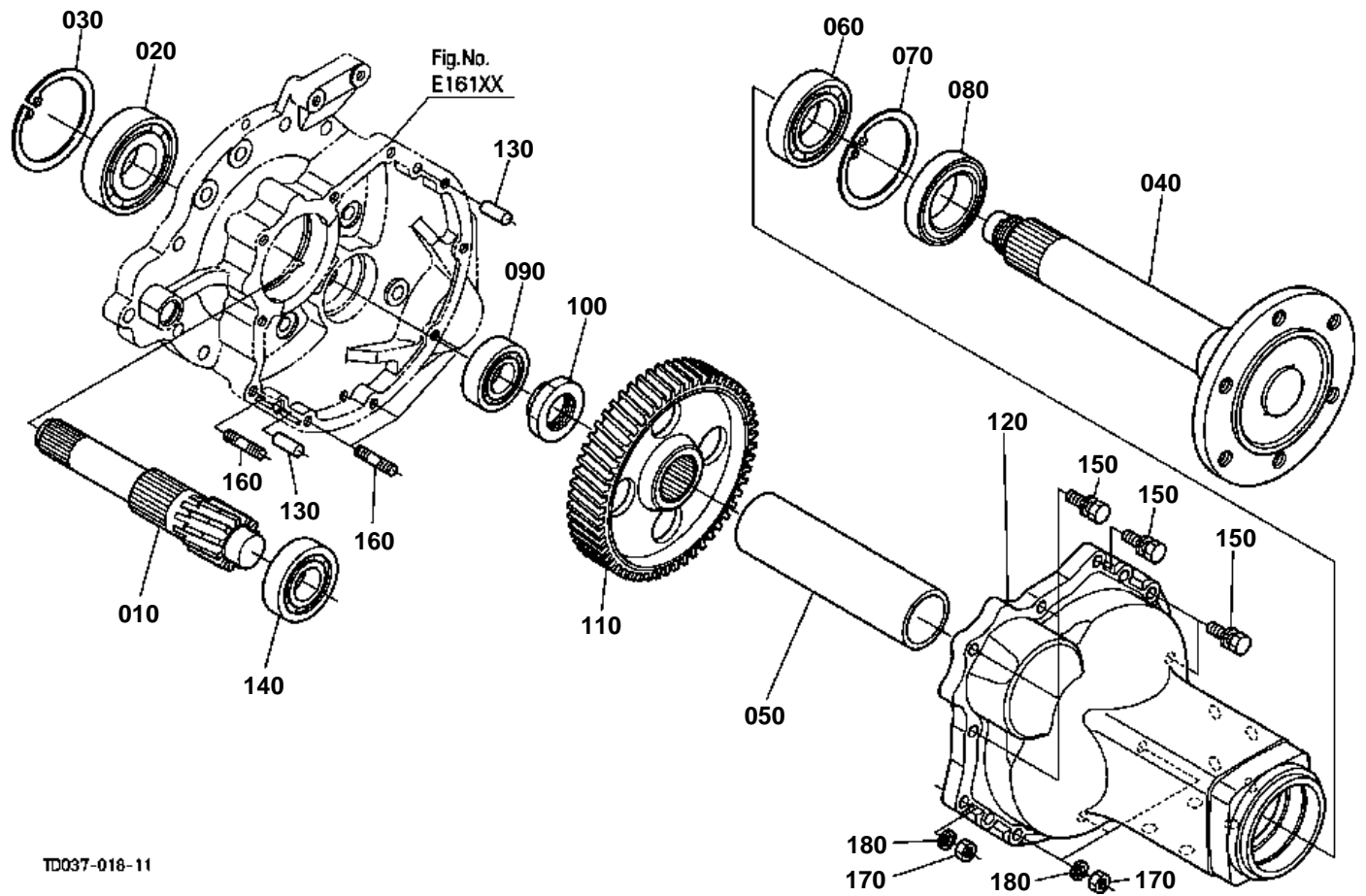


# FRONT WHEEL DRIVE LEVER

↔ Interchangeable; ≠ not interchangeable; ← new for old; → old for new

REF.No	Part No.	Description	Q'ty	S.No.	I/C	REMARKS	Weight (kgf)	Weight (lb)
010	TD060-15180	LEVER SHIFT	1				0.38	0.836
020	04816-00200	O RING	2				0.003	0.0066
030	34070-24350	STOPPER	1				0.02	0.044
040	01754-50812	BOLT FLANGE	1				0.01	0.022
050	TD050-15470	LEVER 4WD CHANGE	1				0.575	1.265
060	05411-00630	PIN SPRING	1				0.004	0.0088
070	TA147-15492	LEVER 4WD CHANGE	1				0.133	0.2926
080	TA040-15480	GRIP LEVER	1				0.053	0.1166
090	02116-50100	NUT	1				0.004	0.0088

REAR AXLE LH



TD037-018-11

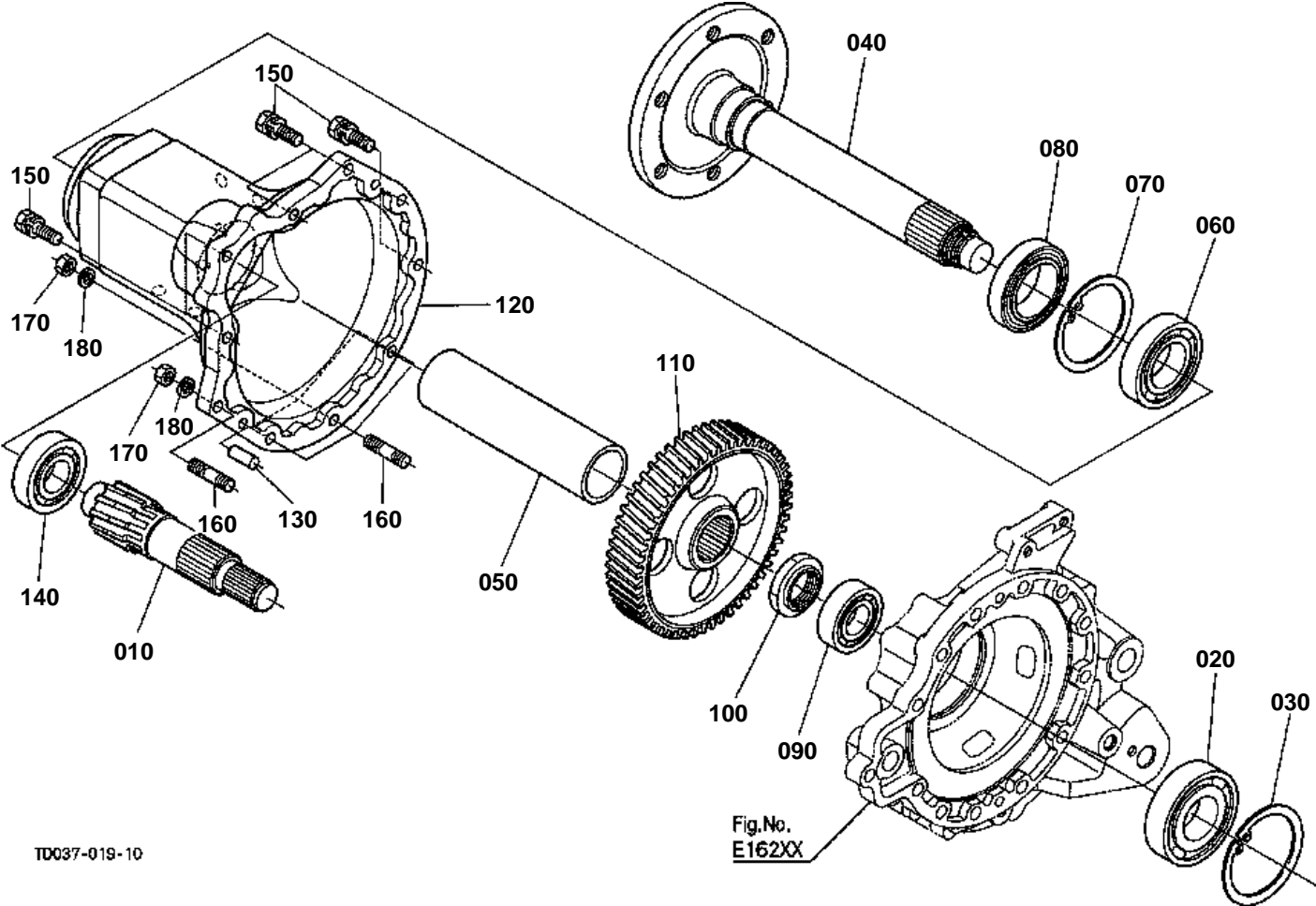


## REAR AXLE LH

↔ Interchangeable; ≠ not interchangeable; ← new for old; → old for new

REF.No	Part No.	Description	Q'ty	S.No.	I/C	REMARKS	Weight (kgf)	Weight (lb)
010	TD020-26720	SHAFT DIFF.GEAR LH	1			11T	2.45	5.39
020	TD060-26730	BEARING BALL	1				0.81	1.782
030	04611-01000	CIR CLIP INTERNAL	1				0.042	0.0924
040	32420-27113	AXLE REAR	1				10.05	22.11
050	32420-27143	SPACER	1				1.415	3.113
060	08101-06210	BEARING BALL	1				0.45	0.99
070	04611-00900	CIR CLIP INTERNAL	1				0.037	0.0814
080	31359-44510	SEAL OIL	1				0.18	0.396
090	08101-06306	BEARING BALL	1				0.335	0.737
100	70650-11380	NUT	1				0.11	0.242
110	31341-26833	GEAR	1			53T	4.74	10.428
120	32420-27334	CASE REAR AXLE	1				14.9	32.78
130	05012-01018	PIN STRAIGHT	2				0.012	0.0264
140	TD030-12540	BEARING BALL	1				0.45	0.99
150	01133-51035	BOLT	6				0.03	0.066
160	01517-51035	STUD	4				0.028	0.0616
170	02176-50100	NUT	4				0.005	0.011
180	04512-60100	WASHER SPRING	4				0.002	0.0044

REAR AXLE RH



TD037-019-10



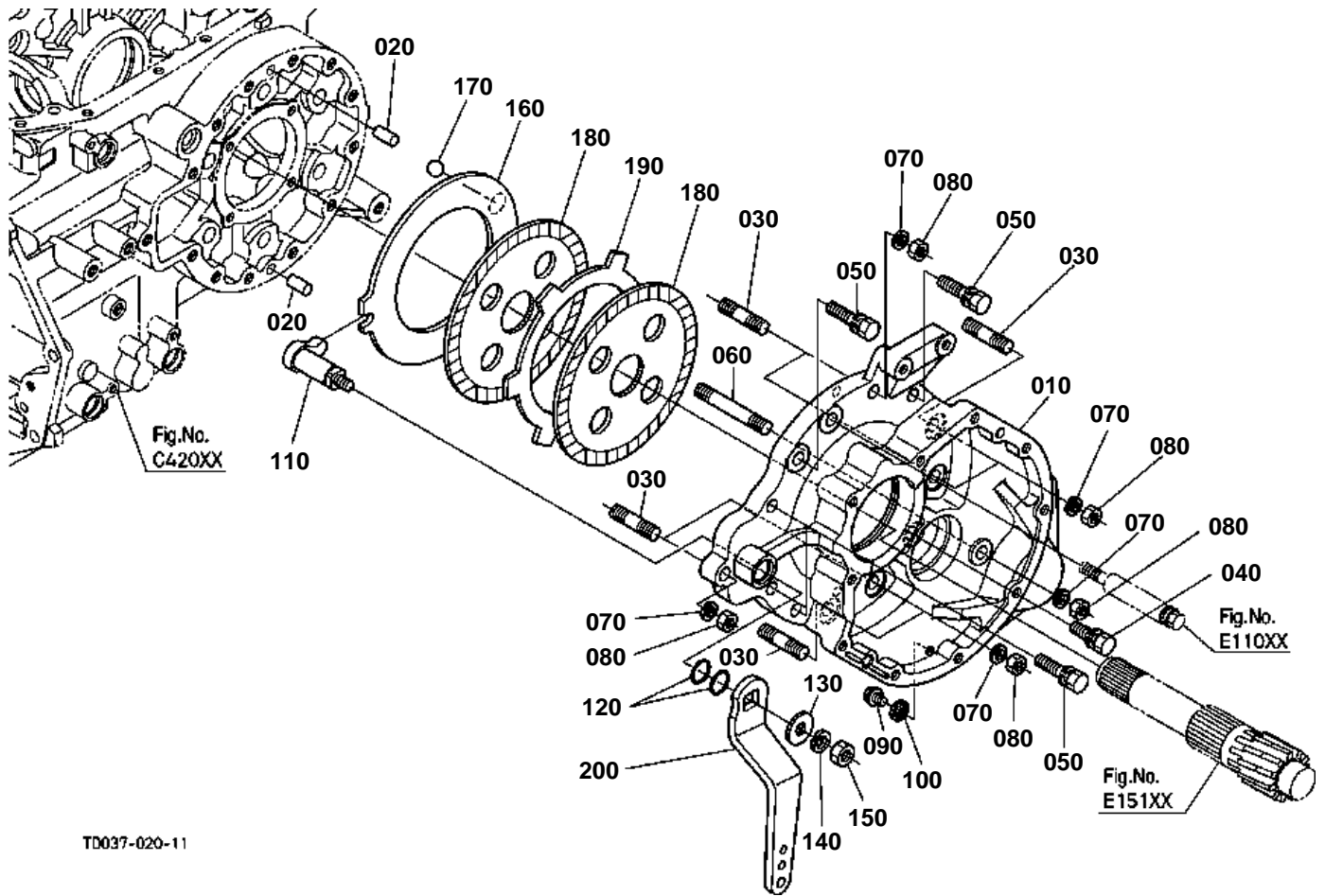


## REAR AXLE RH

↔ Interchangeable; ≠ not interchangeable; ← new for old; → old for new

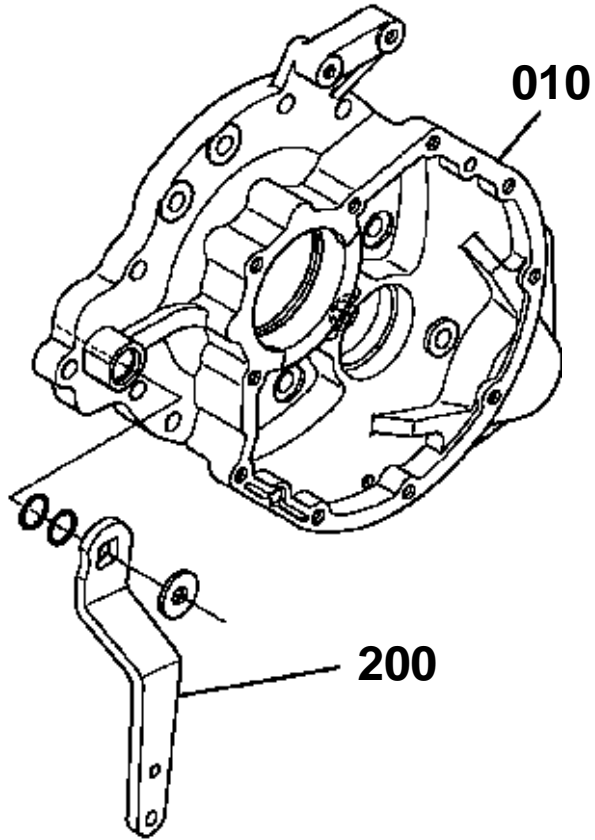
REF.No	Part No.	Description	Q'ty	S.No.	I/C	REMARKS	Weight (kgf)	Weight (lb)
010	TD020-26710	SHAFT DIFF.GEAR RH	1			11T	2.4	5.28
020	TD060-26730	BEARING BALL	1				0.81	1.782
030	04611-01000	CIR CLIP INTERNAL	1				0.042	0.0924
040	32420-27113	AXLE REAR	1				10.05	22.11
050	32420-27143	SPACER	1				1.415	3.113
060	08101-06210	BEARING BALL	1				0.45	0.99
070	04611-00900	CIR CLIP INTERNAL	1				0.037	0.0814
080	31359-44510	SEAL OIL	1				0.18	0.396
090	08101-06306	BEARING BALL	1				0.335	0.737
100	70650-11380	NUT	1				0.11	0.242
110	31341-26833	GEAR	1			53T	4.74	10.428
120	32420-27334	CASE REAR AXLE	1				14.9	32.78
130	05012-01018	PIN STRAIGHT	2				0.012	0.0264
140	TD030-12540	BEARING BALL	1				0.45	0.99
150	01133-51035	BOLT	6				0.03	0.066
160	01517-51035	STUD	4				0.028	0.0616
170	02176-50100	NUT	4				0.005	0.011
180	04512-60100	WASHER SPRING	4				0.002	0.0044

BRAKE LH [EXCEPT GST TYPE]



TD037-020-11

# OLD PARTS

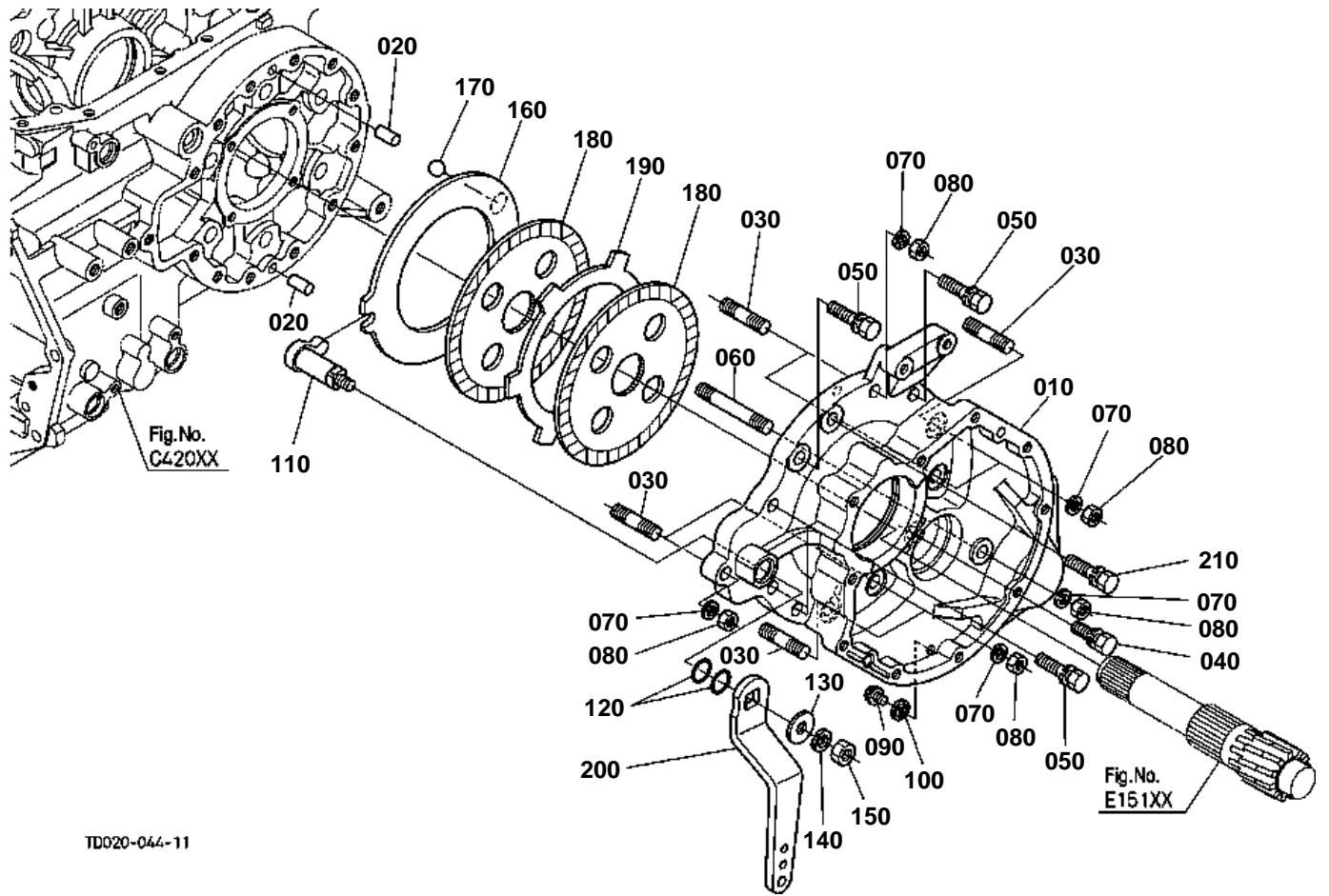


TD030-873-10

**BRAKE LH [EXCEPT GST TYPE]**

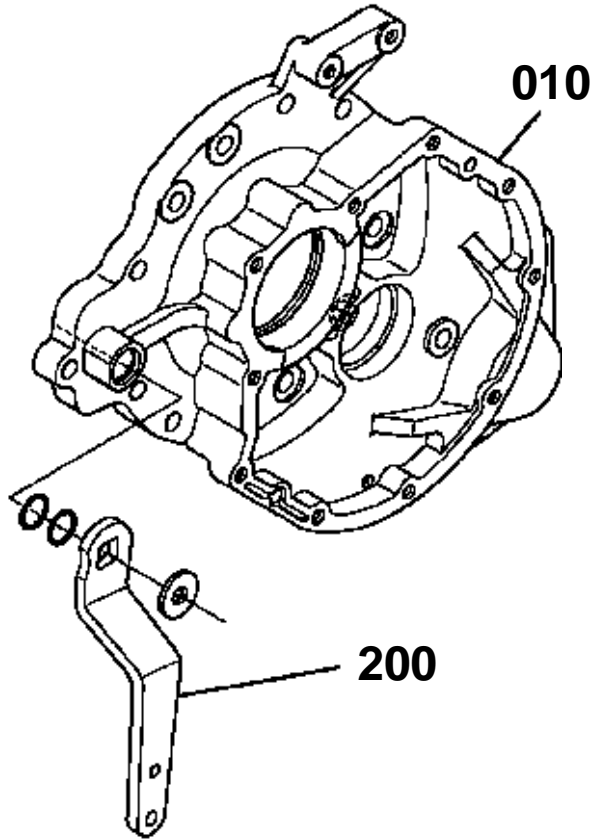
↔ Interchangeable; ≠ not interchangeable; ← new for old; → old for new

REF.No	Part No.	Description	Q'ty	S.No.	I/C	REMARKS	Weight (kgf)	Weight (lb)
010	TD020-28610	CASE BRAKE LH	1	<=43513			0	0
010	TD020-28612	CASE BRAKE LH	1	>=43514	←		15.3	33.66
020	05012-01018	PIN STRAIGHT	2				0.012	0.0264
030	01574-61240	STUD	6				0.045	0.099
040	01133-51235	BOLT	1				0.043	0.0946
050	01133-51240	BOLT	5				0.05	0.11
060	01574-51270	STUD	1				0.07	0.154
070	04512-60120	WASHER SPRING	7				0.005	0.011
080	02176-50120	NUT	7				0.01	0.022
090	06331-45010	PLUG	1				0.02	0.044
100	04717-01000	WASHER WITH RUBBER	1				0.001	0.0022
110	34070-28715	CAM BRAKE LH	1				0.285	0.627
120	04816-00220	O RING	2				0.003	0.0066
130	04015-60120	WASHER PLAIN	1				0.022	0.0484
140	04512-60120	WASHER SPRING	1				0.005	0.011
150	02174-50120	NUT	1				0.01	0.022
160	34070-28770	PLATE BRAKE CAM LH	1				1.11	2.442
170	07715-00805	BALL	6				0.016	0.0352
180	T1060-28200	DISK BRAKE MAIN	2				0.75	1.65
190	37720-28170	PLATE	1				0.342	0.7524
200	TD060-44610	LEVER BRAKE CAM LH	1	<=38032			0.47	1.034
200	TD060-44612	LEVER BRAKE CAM LH	1	>=38033	←		0.47	1.034



TD020-044-11

# OLD PARTS

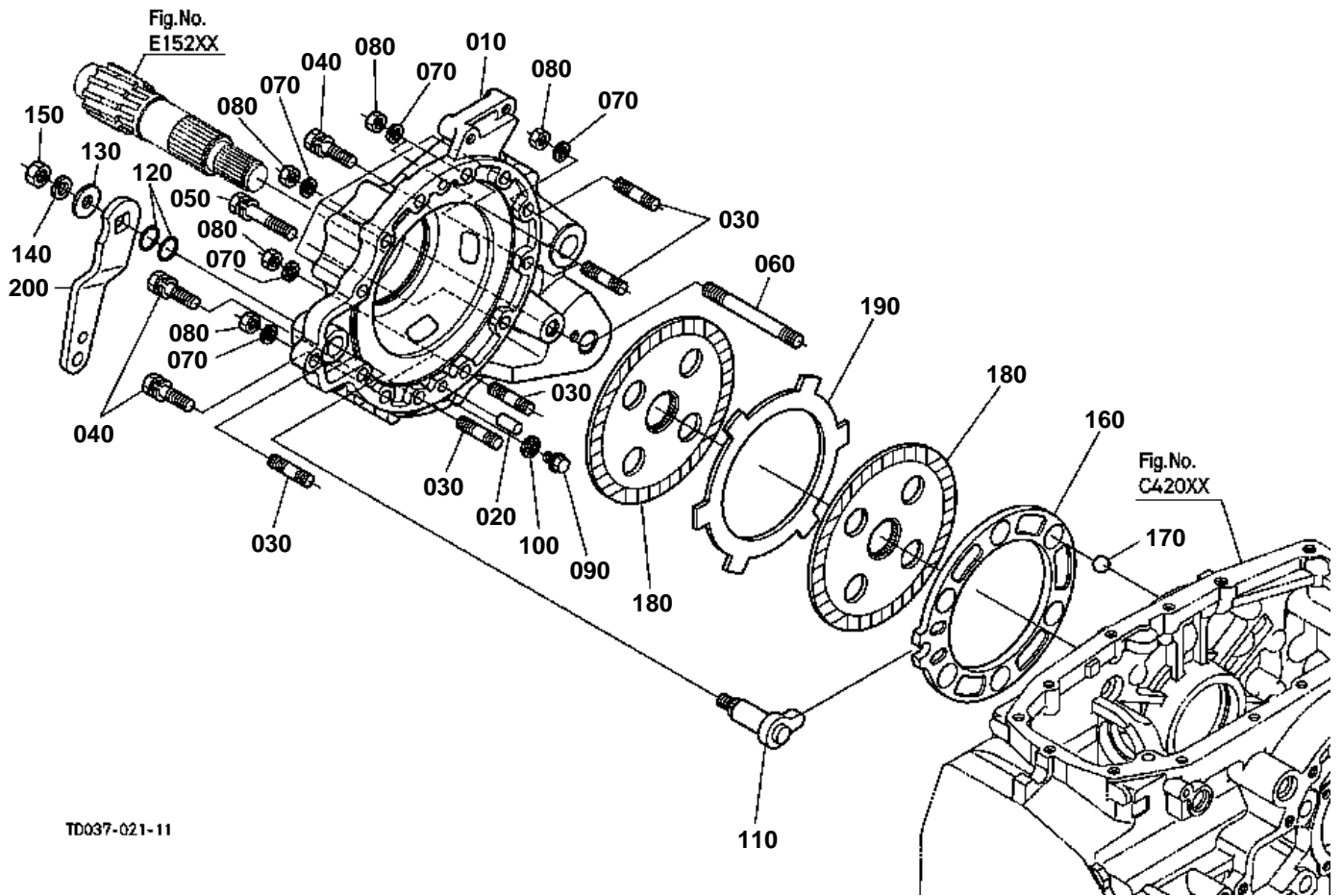


TD030-873-10

**BRAKE LH [GST TYPE]**

↔ Interchangeable; ≠ not interchangeable; ← new for old; → old for new

REF.No	Part No.	Description	Q'ty	S.No.	I/C	REMARKS	Weight (kgf)	Weight (lb)
010	TD020-28610	CASE BRAKE LH	1	<=43513			0	0
010	TD020-28612	CASE BRAKE LH	1	>=43514	←		15.3	33.66
020	05012-01018	PIN STRAIGHT	2				0.012	0.0264
030	01574-61240	STUD	6				0.045	0.099
040	01133-51235	BOLT	1				0.043	0.0946
050	01133-51240	BOLT	5				0.05	0.11
060	01574-51270	STUD	1				0.07	0.154
070	04512-60120	WASHER SPRING	7				0.005	0.011
080	02176-50120	NUT	7				0.01	0.022
090	06331-45010	PLUG	1				0.02	0.044
100	04717-01000	WASHER WITH RUBBER	1				0.001	0.0022
110	34070-28715	CAM BRAKE LH	1				0.285	0.627
120	04816-00220	O RING	2				0.003	0.0066
130	04015-60120	WASHER PLAIN	1				0.022	0.0484
140	04512-60120	WASHER SPRING	1				0.005	0.011
150	02174-50120	NUT	1				0.01	0.022
160	34070-28770	PLATE BRAKE CAM LH	1				1.11	2.442
170	07715-00805	BALL	6				0.016	0.0352
180	T1060-28200	DISK BRAKE MAIN	2				0.75	1.65
190	37720-28170	PLATE	1				0.342	0.7524
200	TD060-44610	LEVER BRAKE CAM LH	1	<=38032			0.47	1.034
200	TD060-44612	LEVER BRAKE CAM LH	1	>=38033	←		0.47	1.034
210	01133-51240	BOLT	1				0.05	0.11



TD037-021-11

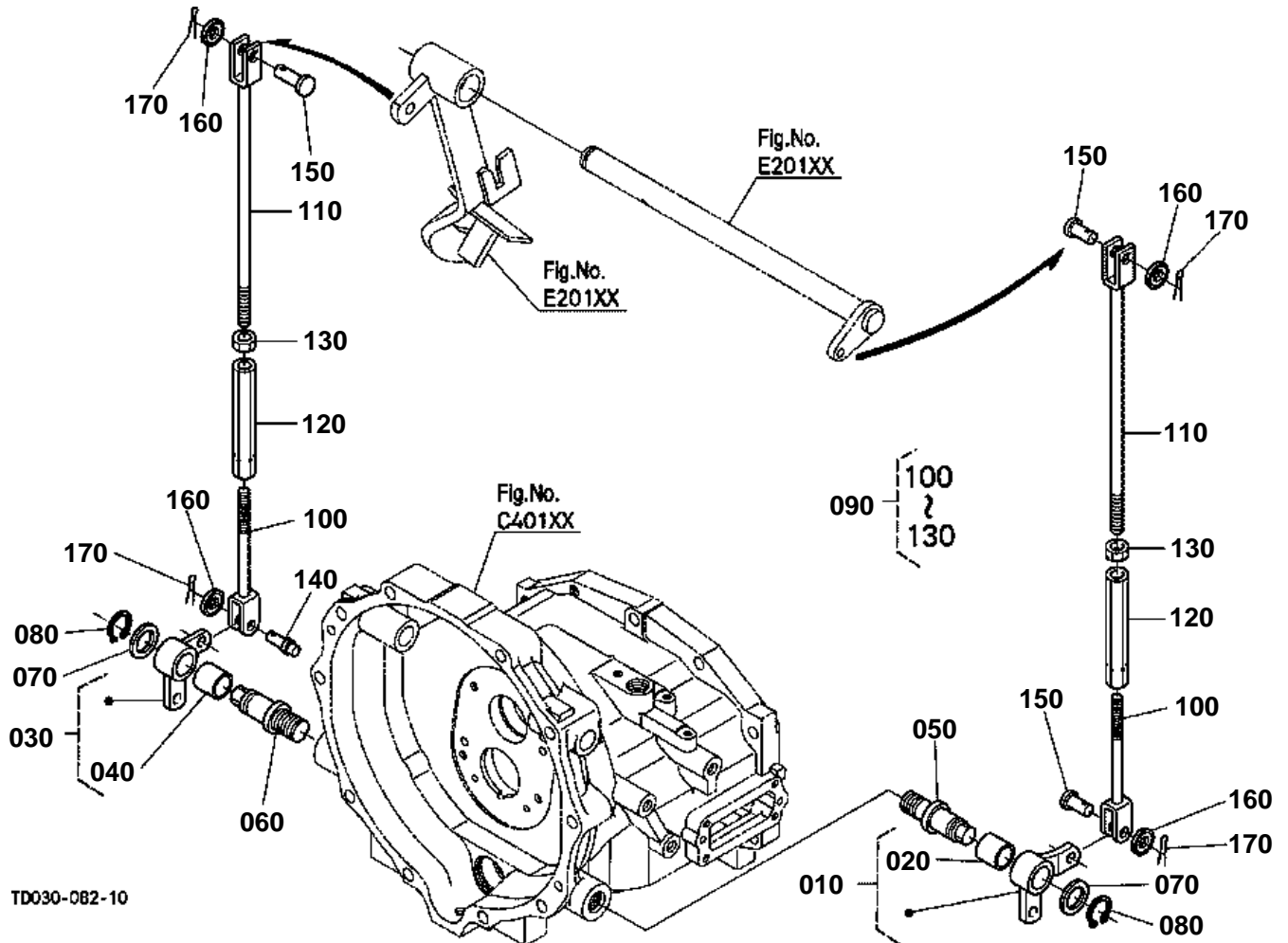


**BRAKE RH**

↔ Interchangeable; ≠ not interchangeable; ← new for old; → old for new

REF.No	Part No.	Description	Q'ty	S.No.	I/C	REMARKS	Weight (kgf)	Weight (lb)
010	TD020-28620	CASE BRAKE RH	1	<=43513			0	0
010	TD020-28622	CASE BRAKE RH	1	>=43514	←		19.1	42.02
020	05012-01018	PIN STRAIGHT	2				0.012	0.0264
030	01574-61240	STUD	6				0.045	0.099
040	01133-51240	BOLT	6				0.05	0.11
050	01133-51275	BOLT	1				0.02	0.044
060	31351-28172	STUD	1				0.105	0.231
070	04512-60120	WASHER SPRING	7				0.005	0.011
080	02176-50120	NUT	7				0.01	0.022
090	06331-45010	PLUG	1				0.02	0.044
100	04717-01000	WASHER WITH RUBBER	1				0.001	0.0022
110	34070-28725	CAM BRAKE RH	1				0.285	0.627
120	04816-00220	O RING	2				0.003	0.0066
130	04015-60120	WASHER PLAIN	1				0.022	0.0484
140	04512-60120	WASHER SPRING	1				0.005	0.011
150	02174-50120	NUT	1				0.01	0.022
160	34070-28780	PLATE BRAKE CAM RH	1				1.14	2.508
170	07715-00805	BALL	6				0.016	0.0352
180	T1060-28200	DISK BRAKE MAIN	2				0.75	1.65
190	37720-28170	PLATE	1				0.342	0.7524
200	T1030-44610	LEVER BRAKE CAM LH	1				0.42	0.924

BRAKE ROD (BRAKE PEDAL) [ROPS TYPE]

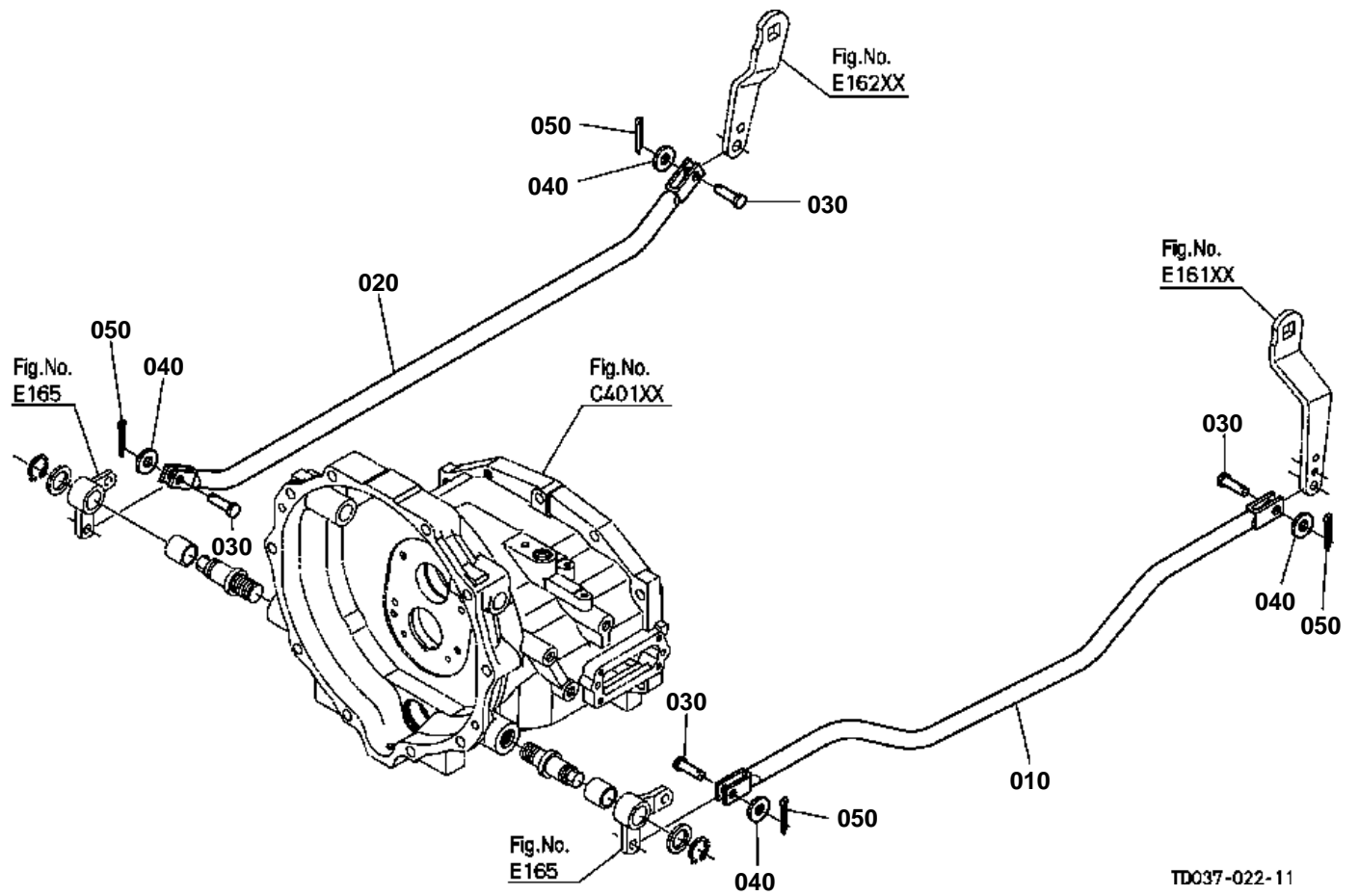


**BRAKE ROD (BRAKE PEDAL) [ROPS TYPE]**

↔ Interchangeable; ≠ not interchangeable; ← new for old; → old for new

REF.No	Part No.	Description	Q'ty	S.No.	I/C	REMARKS	Weight (kgf)	Weight (lb)
010	T1060-44810	ASSY LEVER BRAKE LH	1				0.215	0.473
020	T0070-44890	BUSH	1				0.028	0.0616
030	T0070-44910	ASSY LEVER BRAKE RH	1				0.215	0.473
040	T0070-44890	BUSH	1				0.028	0.0616
050	T1060-44870	SHAFT BRAKE LH	1				0.18	0.396
060	T1060-44880	SHAFT BRAKE RH	1				0.185	0.407
070	04011-50200	WASHER PLAIN	2				0.015	0.033
080	04612-00200	CIR CLIP EXTERNAL	2				0.001	0.0022
090	34070-44800	ASSY ROD BRAKE	2				0.425	0.935
100	34070-44840	ROD BRAKE LOWER	2				0.13	0.286
110	34070-44460	ROD CLUTCH BRAKE	2				0.225	0.495
120	32350-28980	TURNBUCKLE	2				0.124	0.2728
130	02116-50100	NUT	2				0.004	0.0088
140	T0070-15860	PIN AUTO BRAKE	1				0.03	0.066
150	05122-61028	PIN JOINT	3				0.02	0.044
160	04717-01000	WASHER WITH RUBBER	4				0.001	0.0022
170	05511-50318	PIN SPLIT	4				0.001	0.0022

BRAKE ROD (BRAKE CAM)



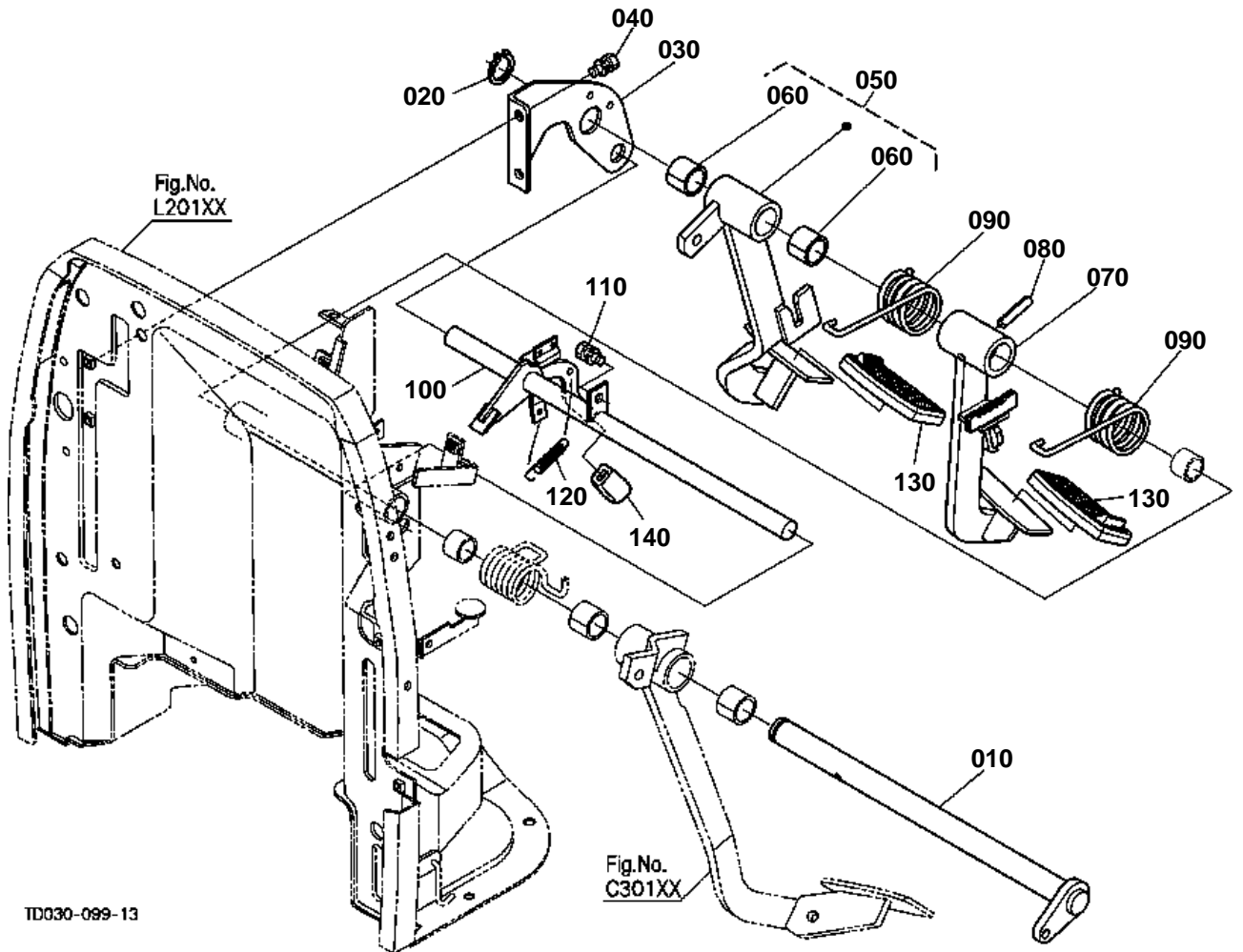


## BRAKE ROD (BRAKE CAM)

↔ Interchangeable; ≠ not interchangeable; ← new for old; → old for new

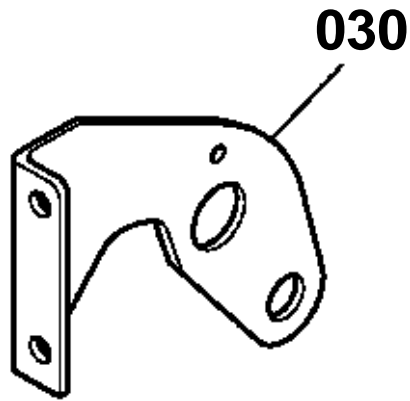
REF.No	Part No.	Description	Q'ty	S.No.	I/C	REMARKS	Weight (kgf)	Weight (lb)
010	TD060-44630	ROD BRAKE LH	1				1.135	2.497
020	TD060-44640	ROD BRAKE RH	1				1.12	2.464
030	05122-61028	PIN JOINT	4				0.02	0.044
040	04013-60100	WASHER PLAIN	4				0.003	0.0066
050	05511-50318	PIN SPLIT	4				0.001	0.0022

BRAKE PEDAL [EXCEPT HST TYPE]



TD030-099-13

# OLD PARTS



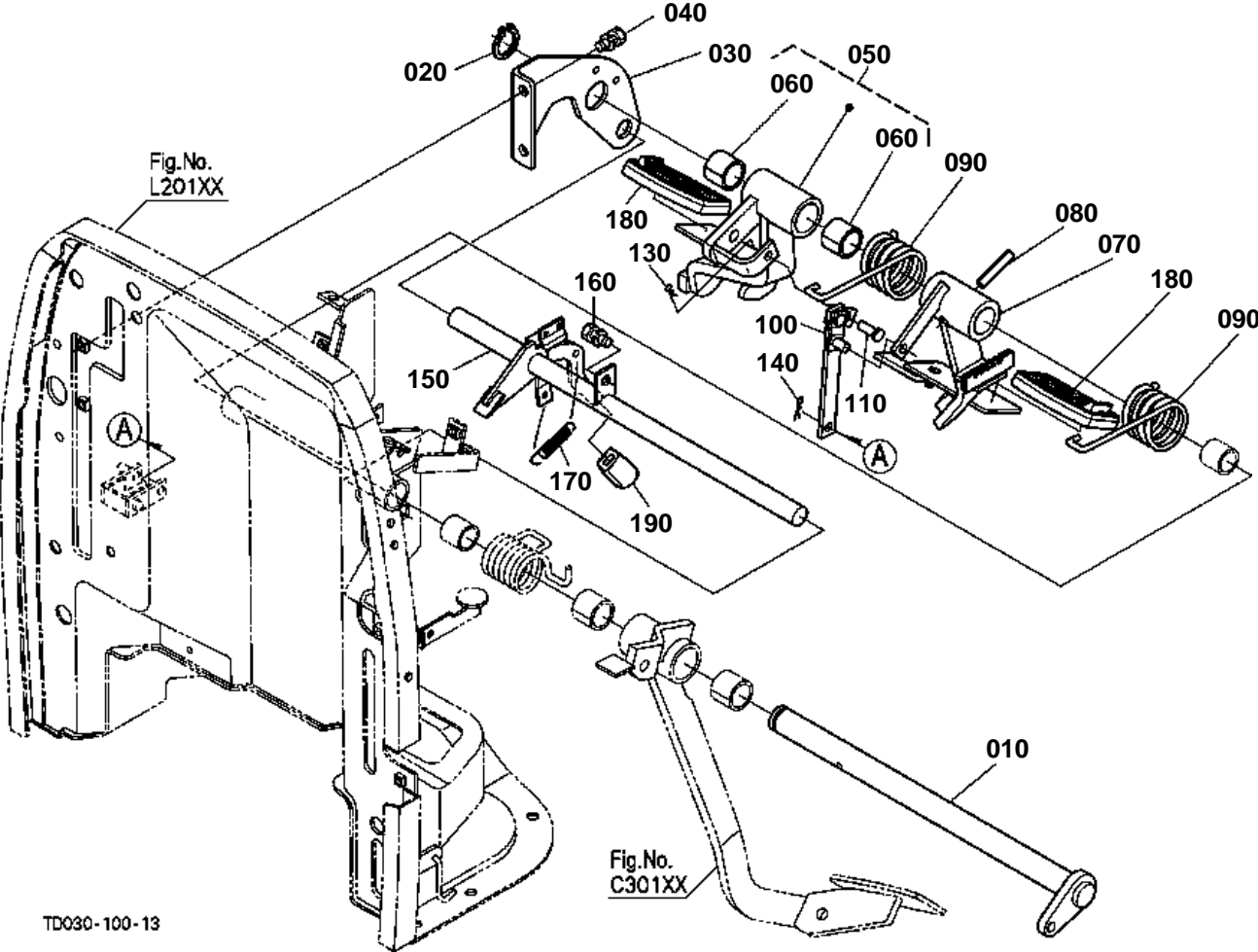
TD060-829-11

**BRAKE PEDAL [EXCEPT HST TYPE]**

↔ Interchangeable; ≠ not interchangeable; ← new for old; → old for new

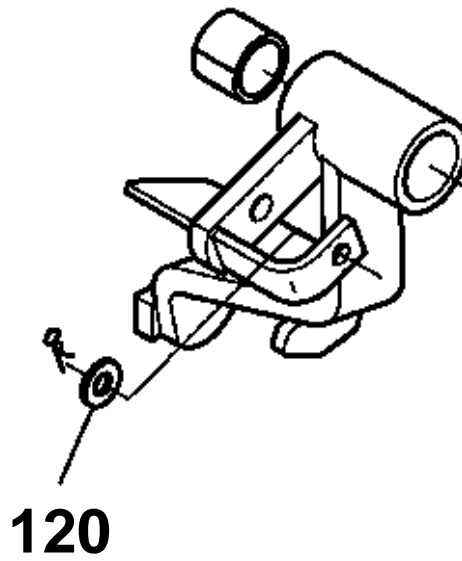
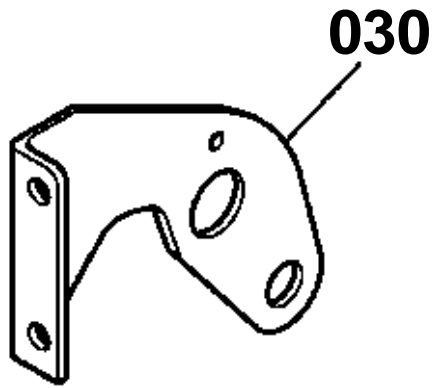
REF.No	Part No.	Description	Q'ty	S.No.	I/C	REMARKS	Weight (kgf)	Weight (lb)
010	TD060-44010	SHAFT PEDAL	1				1.77	3.894
020	04612-00250	CIR CLIP EXTERNAL	1				0.002	0.0044
030	34070-44073	SUPPORT PEDAL SHAFT	1	<=36741			0.255	0.561
030	34070-44074	SUPPORT PEDAL SHAFT	1	>=36742	←		0.255	0.561
040	01123-60816	BOLT	2				0.01	0.022
050	TD060-44100	ASSY PEDAL BRAKE RH	1				1.46	3.212
060	TD060-44080	BUSH	2				0.002	0.0044
070	TA040-44114	PEDAL BRAKE LH	1	<=33968			0	0
070	TA040-44115	PEDAL BRAKE LH	1	>=33969	←		1.32	2.904
080	05411-00840	PIN SPRING	1				0.008	0.0176
090	34070-44170	SPRING	2				0.08	0.176
100	TD060-44000	COMP.LOCK PARKING	1				1.005	2.211
110	01123-60816	BOLT	1				0.01	0.022
120	36330-83420	SPRING LOCK	1				0.006	0.0132
130	T2050-44120	COVER PEDAL	2	>=47577	←		0.07	0.154
140	TA140-43560	GRIP	1				0.022	0.0484





TD030-100-13

# OLD PARTS



TD060-831-11

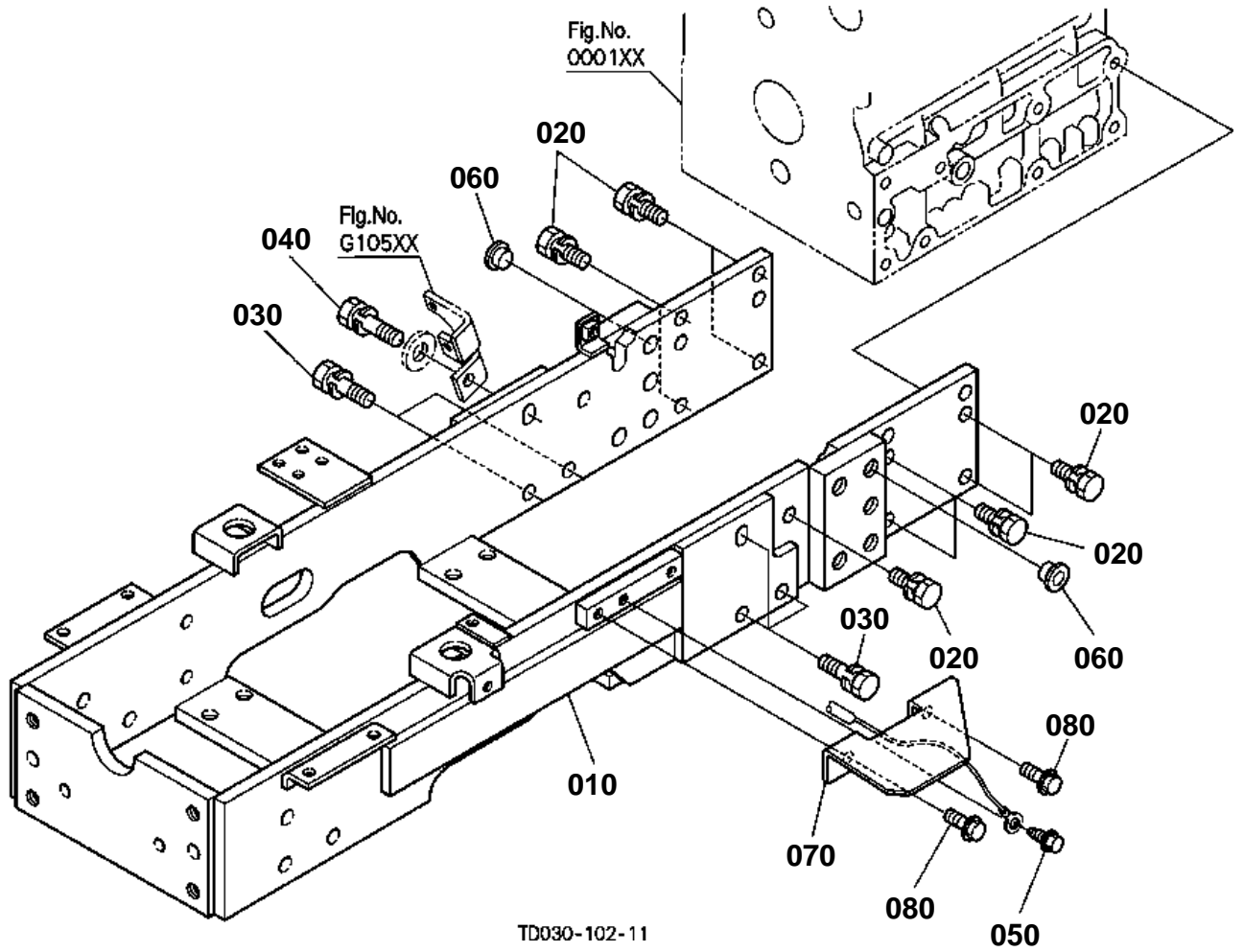


**BRAKE PEDAL [HST TYPE] [ROPS TYPE]**

↔ Interchangeable; ≠ not interchangeable; ← new for old; → old for new

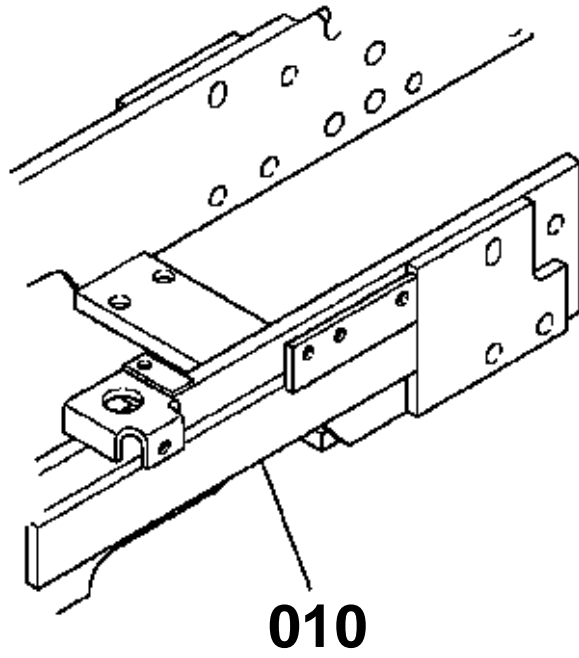
REF.No	Part No.	Description	Q'ty	S.No.	I/C	REMARKS	Weight (kgf)	Weight (lb)
010	TD060-44010	SHAFT PEDAL	1				1.77	3.894
020	04612-00250	CIR CLIP EXTERNAL	1				0.002	0.0044
030	34070-44073	SUPPORT PEDAL SHAFT	1	<=36741			0.255	0.561
030	34070-44074	SUPPORT PEDAL SHAFT	1	>=36742	←		0.255	0.561
040	01123-60816	BOLT	2				0.01	0.022
050	TD060-57370	ASSY PEDAL BRAKE RH	1				1.335	2.937
060	TD060-44080	BUSH	2				0.002	0.0044
070	TD060-57392	PEDAL BRAKE LH	1	<=30880			1.25	2.75
070	TD060-57393	PEDAL BRAKE LH	1	>=30881	←		1.22	2.684
080	05411-00840	PIN SPRING	1				0.008	0.0176
090	34070-44170	SPRING	2				0.08	0.176
100	TD060-57320	COMP.LINK CRUISE	1				0.1	0.22
110	05122-50814	PIN JOINT	1				0.005	0.011
120	04013-60080	WASHER PLAIN	1	<=33968			0.002	0.0044
130	05525-50800	PIN SNAP	1				0.001	0.0022
140	05525-60600	PIN SNAP	1				0.001	0.0022
150	TD060-44000	COMP.LOCK PARKING	1				1.005	2.211
160	01123-60816	BOLT	1				0.01	0.022
170	36330-83420	SPRING LOCK	1				0.006	0.0132
180	T2050-44120	COVER PEDAL	2	>=47577	←		0.07	0.154
190	TA140-43560	GRIP	1				0.022	0.0484

# FRONT AXLE FRAME



TD030-102-11

# OLD PARTS



TD030-876-10

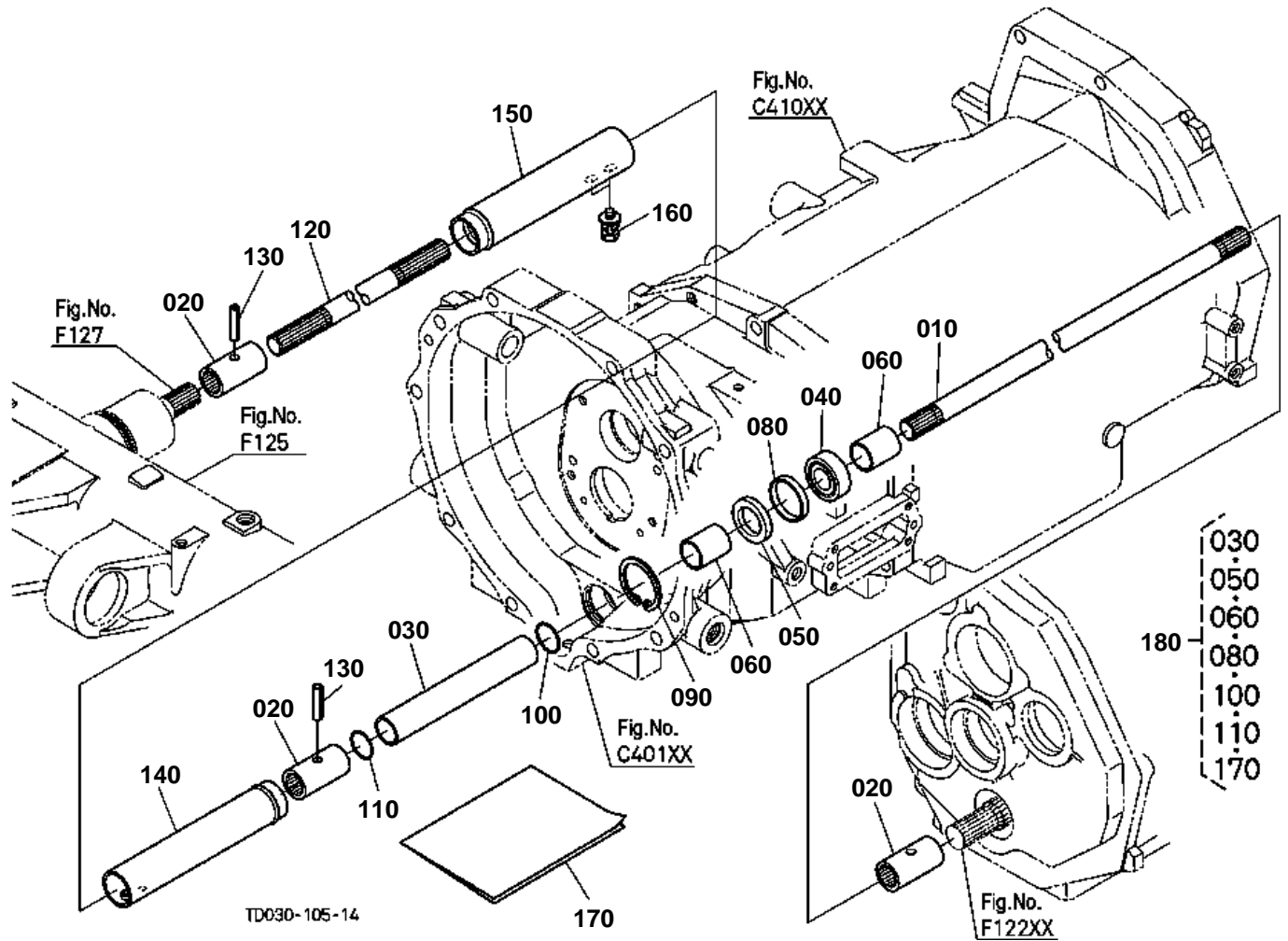


# FRONT AXLE FRAME

↔ Interchangeable; ≠ not interchangeable; ← new for old; → old for new

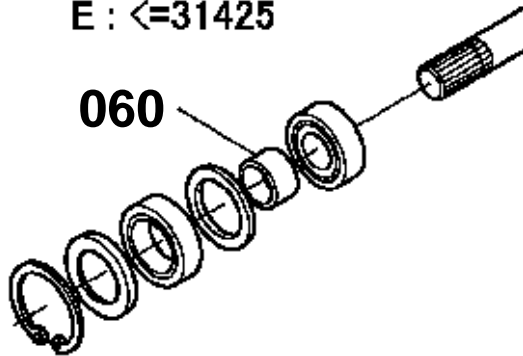
REF.No	Part No.	Description	Q'ty	S.No.	I/C	REMARKS	Weight (kgf)	Weight (lb)
010	TD030-14003	COMP.FRAME F-AXLE	1	<=35196			0	0
010	TD030-14004	COMP.FRAME F-AXLE	1	>=35197	←		35	77
020	01133-51230	BOLT	9				0.04	0.088
030	01133-51240	BOLT	5				0.05	0.11
040	01133-51245	BOLT	1				0.055	0.121
050	33300-90910	PLUG	10				0.002	0.0044
060	T1060-30370	BOLT	1				0.013	0.0286
070	T1060-16470	PLATE	1				0.14	0.308
080	01754-50816	BOLT FLANGE	2				0.011	0.0242

PROPELLER SHAFT [EXCEPT HST TYPE]

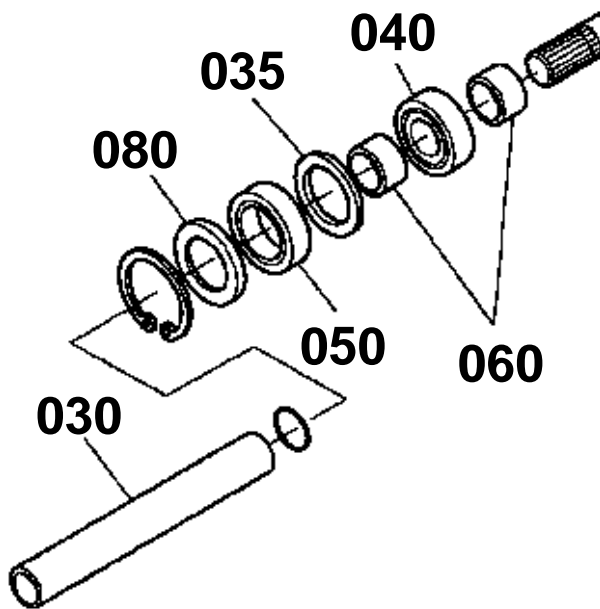


# OLD PARTS

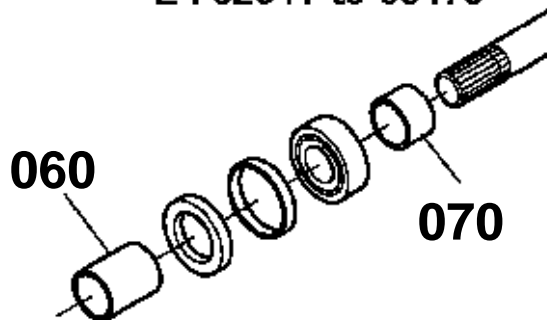
S.No. ; B : <=35196, C : <=31032,  
E : <=31425



S.No. ; B : <=36088, C : <=31318,  
E : <=32040



S.No. ; B : 36089 to 40495,  
C : 31319 to 32684,  
E : 32041 to 33476



TD030-809-12



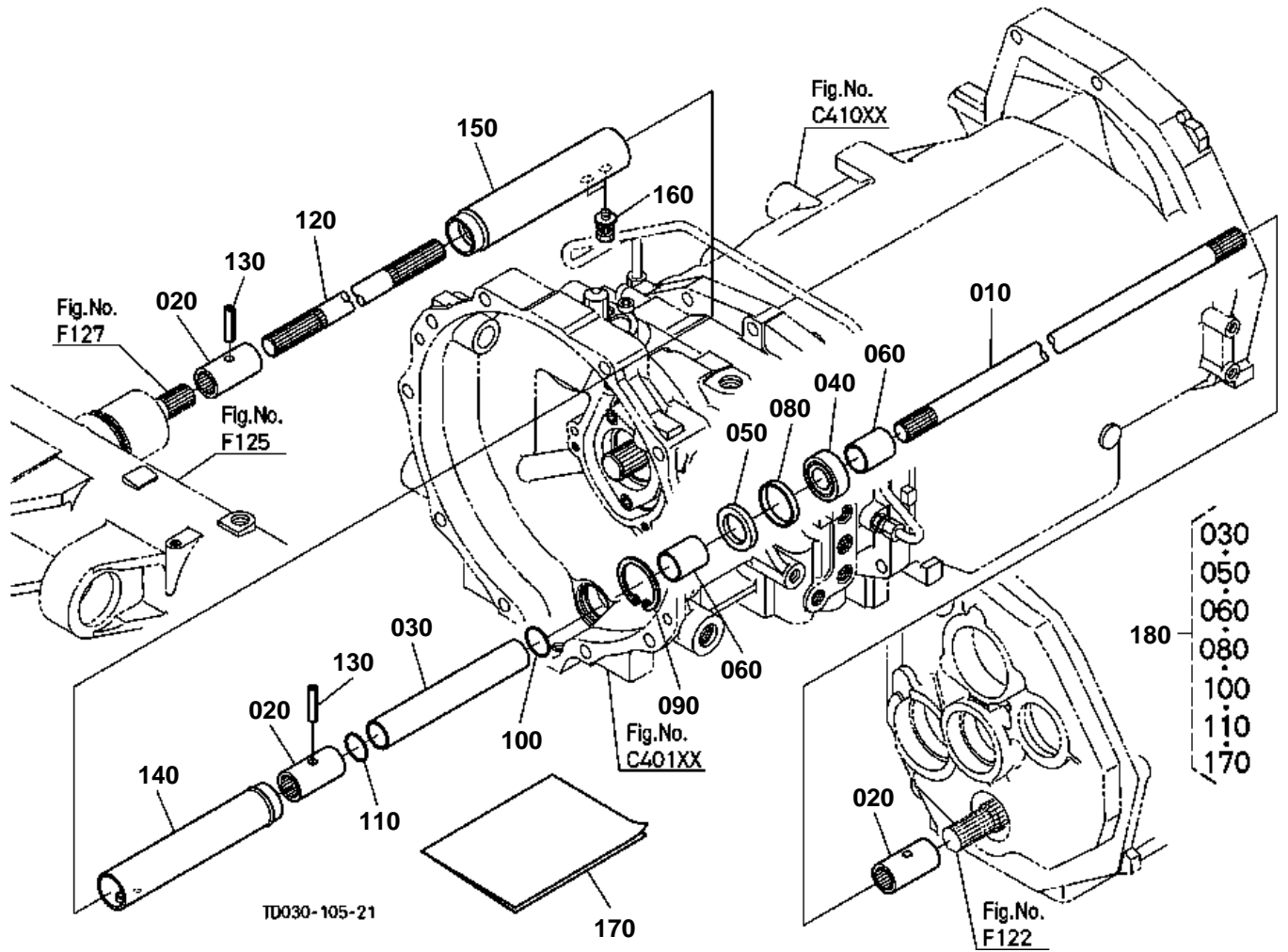


PROPELLER SHAFT [EXCEPT HST TYPE]

↔ Interchangeable; ≠ not interchangeable; ← new for old; → old for new

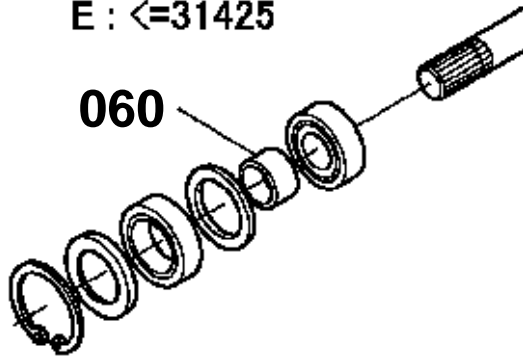
REF.No	Part No.	Description	Q'ty	S.No.	I/C	REMARKS	Weight (kgf)	Weight (lb)
010	TD060-14640	SHAFT PROPELLER	1	<=35755			0	0
010	TD060-14642	SHAFT PROPELLER	1	>=35756	←		2.5	5.5
020	T0070-14710	COUPLING	3				0.16	0.352
030	TD060-14740	SPACER PROPELLER S/F	1	>=35197		NOT SALE ORDER BY REF.No.180.	0	0
030	TD060-14742	SPACER PROPELLER S/F	1	>=36089	≠		0.245	0.539
035	TD060-14660	WASHER PROP.SHAFT	1	<=36088			0.01	0.022
040	TD060-14590	BEARING BALL	1				0.04	0.088
050	TD060-14600	SEAL OIL	1	<=36088			0.01	0.022
050	09500-28427	SEAL OIL	1	>=36089	≠		0.01	0.022
060	14301-62450	COLLAR OIL SEAL	1	<=35196			0.012	0.0264
060	14301-62450	COLLAR OIL SEAL	2	>=35197			0.012	0.0264
060	52600-15550	SLEEVE	1	>=36089	≠		0.025	0.055
060	52600-15550	SLEEVE	2	>=40496			0.025	0.055
070	14301-62450	COLLAR OIL SEAL	1	>=36089			0.012	0.0264
070	14301-62450	COLLAR OIL SEAL	1	<=40495			0.012	0.0264
080	TD060-14652	SPACER	1	<=35196			0.015	0.033
080	TD060-14653	SPACER	1	>=35197	≠		0	0
080	TD060-14654	SPACER	1	>=36089	←		0.01	0.022
090	04611-00420	CIR CLIP INTERNAL	1				0.006	0.0132
100	TD060-82180	O RING	1	>=35197			0.001	0.0022
100	TA040-82180	O RING	1		↔		0.001	0.0022
110	TA040-82180	O RING	1	>=35197			0.001	0.0022
120	TD030-14630	SHAFT PROPELLER	1				0.7	1.54
130	05411-00430	PIN SPRING	2				0.002	0.0044
140	TD030-14580	COVER SHAFT REAR	1				0.21	0.462
150	TA040-14574	COVER SHAFT FRONT	1				0.33	0.726
160	TC050-14590	BOLT WITH WASHER	2				0.003	0.0066
170	99999-99999	MANUAL ASSEMBLY	1	<=36088			0	0
180	TD060-98000	KIT SLEEVE	1	<=36088			0.3	0.66

PROPELLER SHAFT [HST TYPE]

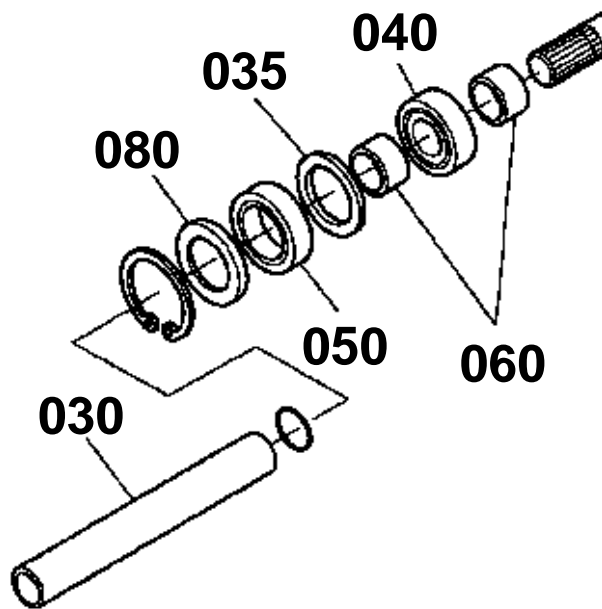


# OLD PARTS

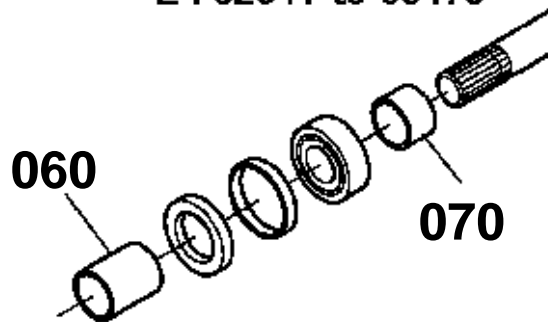
S.No. ; B : <=35196, C : <=31032,  
E : <=31425



S.No. ; B : <=36088, C : <=31318,  
E : <=32040



S.No. ; B : 36089 to 40495,  
C : 31319 to 32684,  
E : 32041 to 33476



TD030-809-12

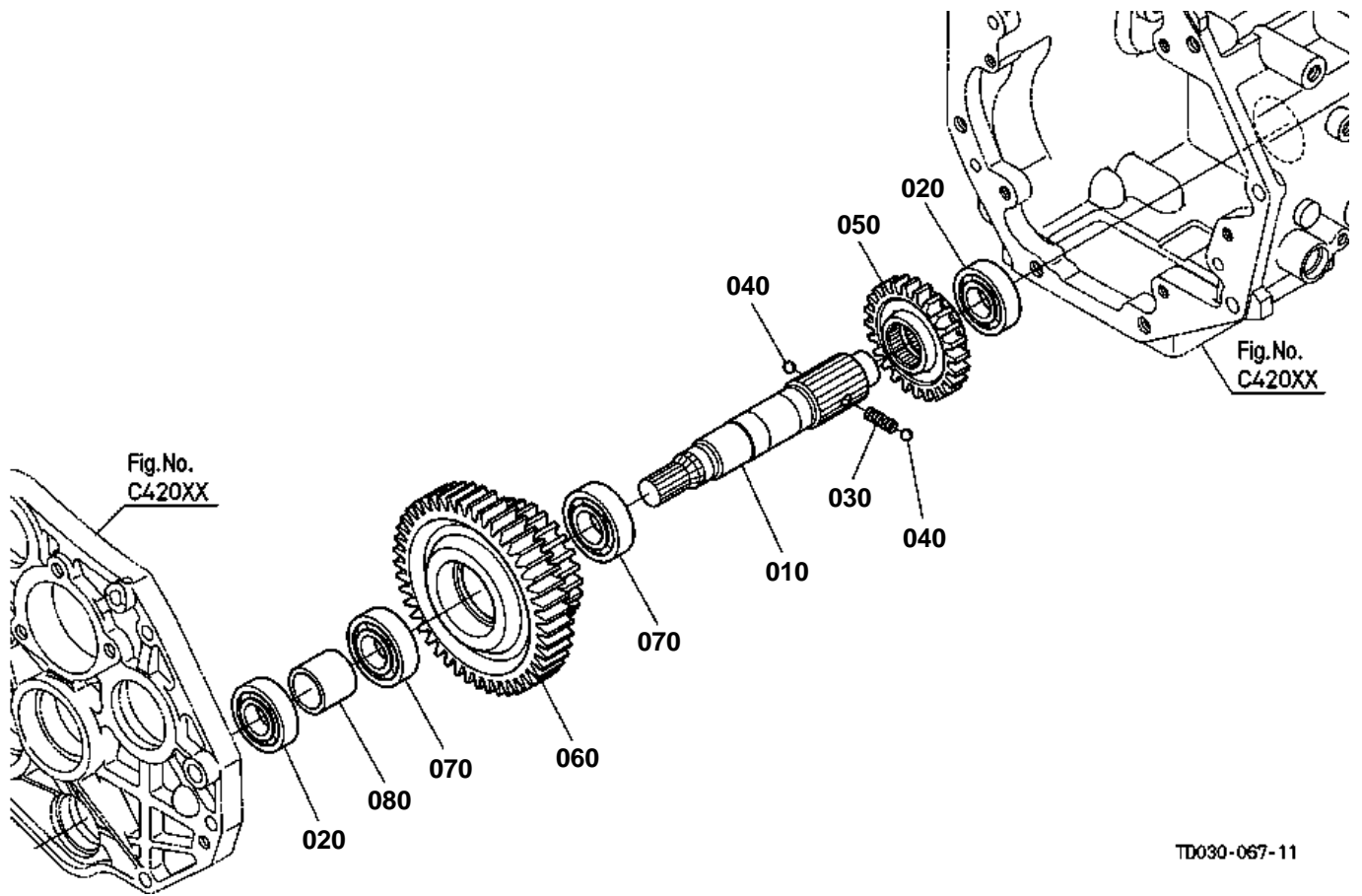


PROPELLER SHAFT [HST TYPE]

↔ Interchangeable; ≠ not interchangeable; ← new for old; → old for new

REF.No	Part No.	Description	Q'ty	S.No.	I/C	REMARKS	Weight (kgf)	Weight (lb)
010	TD060-14640	SHAFT PROPELLER	1	<=35755			0	0
010	TD060-14642	SHAFT PROPELLER	1	>=35756	←		2.5	5.5
020	T0070-14710	COUPLING	3				0.16	0.352
030	TD060-14720	SPACER PROPELLER S/F	1	>=35197		NOT SALE ORDER BY REF.No.180.	0	0
030	TD060-14722	SPACER PROPELLER S/F	1	>=36089	≠		0.255	0.561
035	TD060-14660	WASHER PROP.SHAFT	1	<=36088			0.01	0.022
040	TD060-14590	BEARING BALL	1				0.04	0.088
050	TD060-14600	SEAL OIL	1	<=36088			0.01	0.022
050	09500-28427	SEAL OIL	1	>=36089	≠		0.01	0.022
060	14301-62450	COLLAR OIL SEAL	1	<=35196			0.012	0.0264
060	14301-62450	COLLAR OIL SEAL	2	>=35197			0.012	0.0264
060	52600-15550	SLEEVE	1	>=36089	≠		0.025	0.055
060	52600-15550	SLEEVE	2	>=40496			0.025	0.055
070	14301-62450	COLLAR OIL SEAL	1	>=36089			0.012	0.0264
070	14301-62450	COLLAR OIL SEAL	1	<=40495			0.012	0.0264
080	TD060-14652	SPACER	1	<=35196			0.015	0.033
080	TD060-14653	SPACER	1	>=35197	≠		0	0
080	TD060-14654	SPACER	1	>=36089	←		0.01	0.022
090	04611-00420	CIR CLIP INTERNAL	1				0.006	0.0132
100	TD060-82180	O RING	1	>=35197			0.001	0.0022
100	TA040-82180	O RING	1		↔		0.001	0.0022
110	TA040-82180	O RING	1	>=35197			0.001	0.0022
120	TD030-14630	SHAFT PROPELLER	1				0.7	1.54
130	05411-00430	PIN SPRING	2				0.002	0.0044
140	TD030-14580	COVER SHAFT REAR	1				0.21	0.462
150	TA040-14574	COVER SHAFT FRONT	1				0.33	0.726
160	TC050-14590	BOLT WITH WASHER	2				0.003	0.0066
170	99999-99999	MANUAL ASSEMBLY	1	<=36088			0	0
180	TD060-98100	KIT SLEEVE	1	<=36088			0.3	0.66

FRONT WHEEL DRIVE SHAFT



TD030-067-11

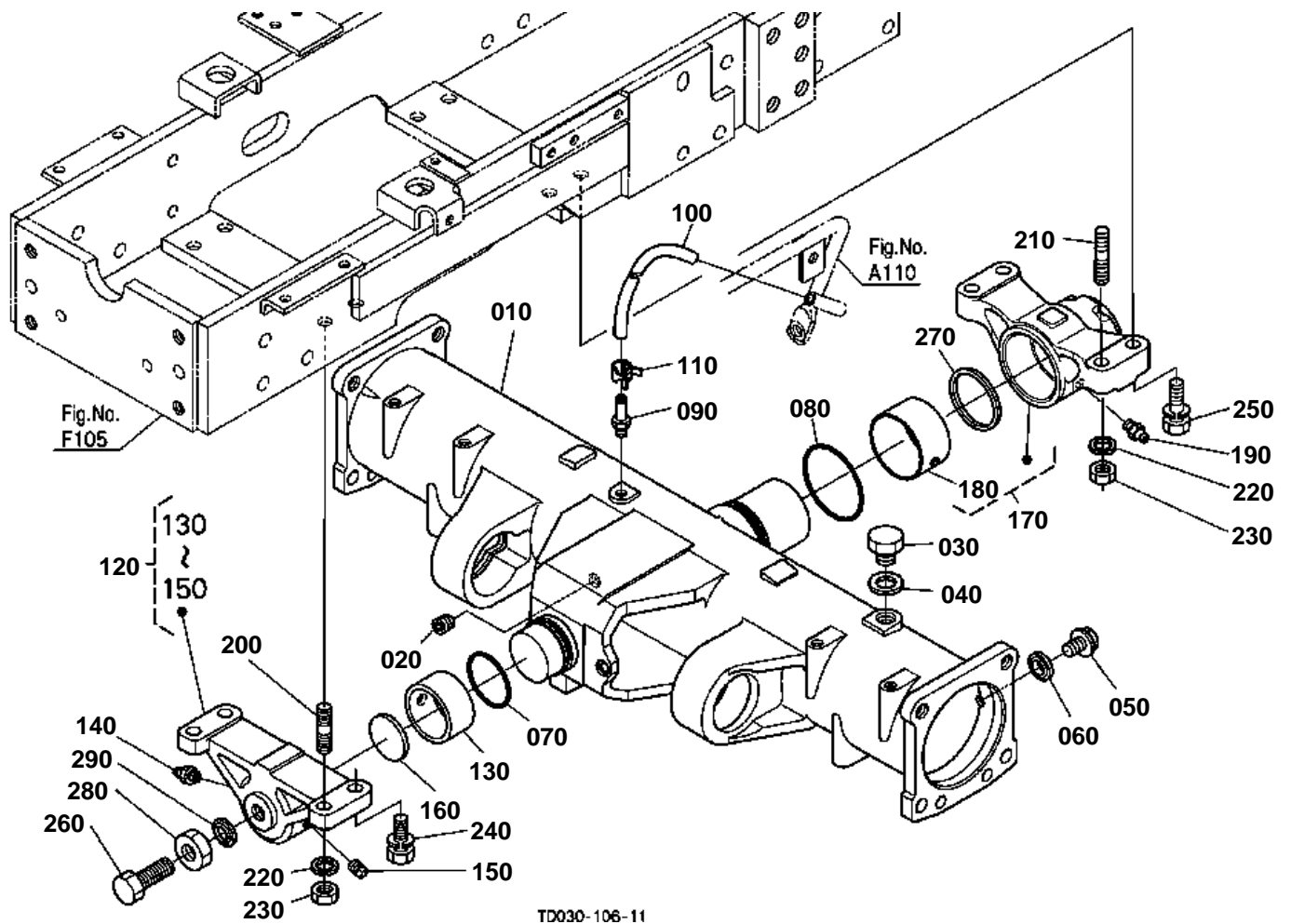


# FRONT WHEEL DRIVE SHAFT

↔ Interchangeable; ≠ not interchangeable; ← new for old; → old for new

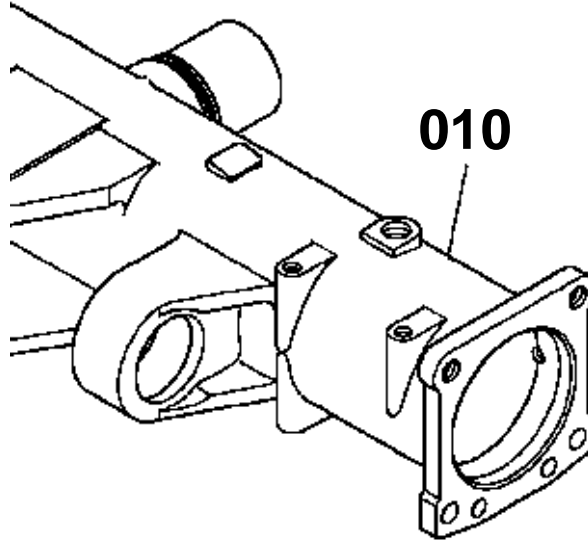
REF.No	Part No.	Description	Q'ty	S.No.	I/C	REMARKS	Weight (kgf)	Weight (lb)
010	TD030-15210	SHAFT DRIVE	1				0.95	2.09
020	37410-57190	BEARING BALL	2				0.14	0.308
030	35260-24110	SPRING	1				0.02	0.044
040	07715-01605	BALL	2				0.003	0.0066
050	TD060-15170	GEAR 4WD SHIFT	1			24T	0.59	1.298
060	TD030-25100	GEAR M-PTO	1			26-60T	2.55	5.61
070	32430-25560	BEARING BALL	2				0.18	0.396
080	TD030-25120	COLLAR	1				0.066	0.1452

# FRONT DIFFERENTIAL CASE



TD030-106-11

# OLD PARTS



TD052-808-10



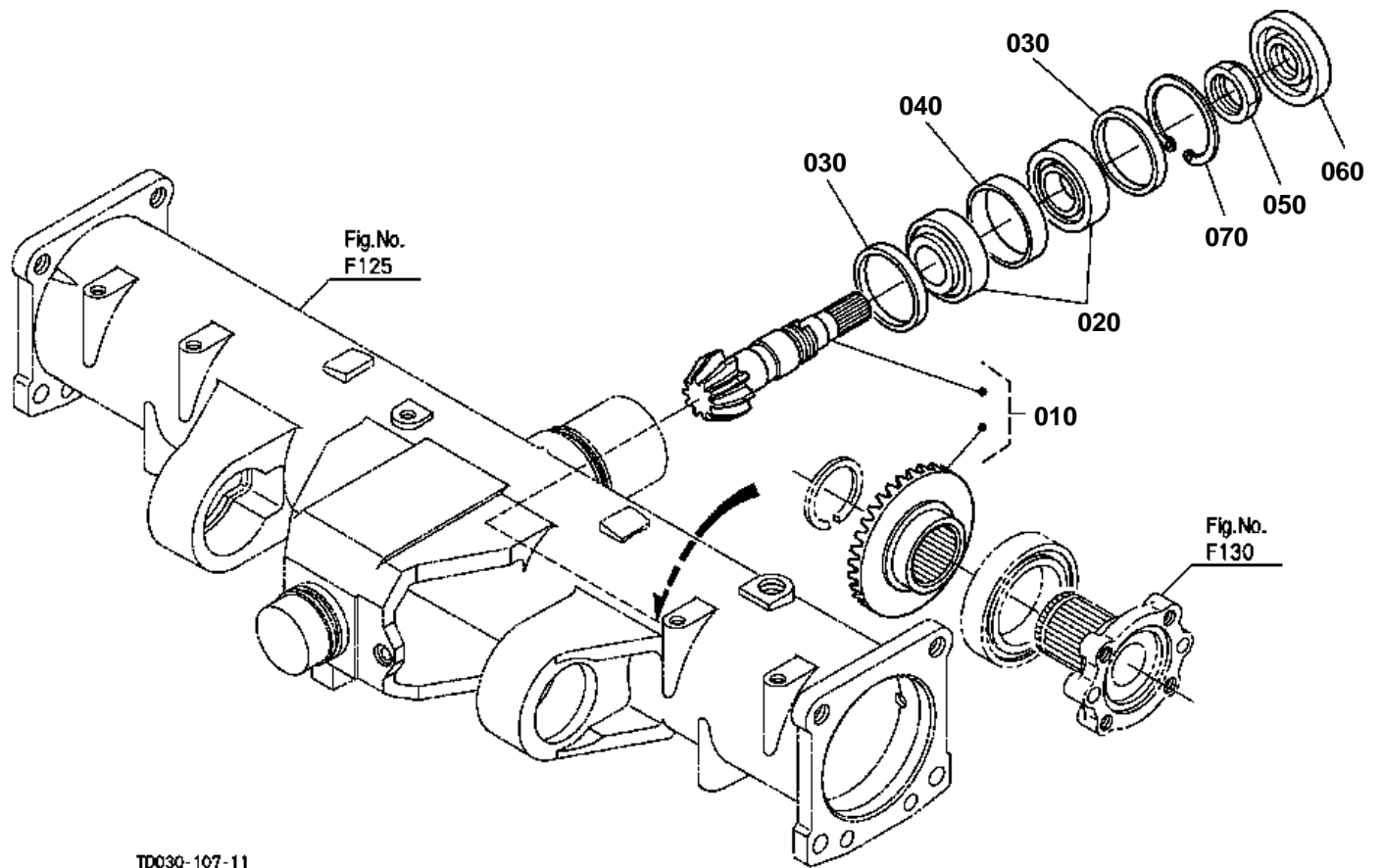


**FRONT DIFFERENTIAL CASE**

↔ Interchangeable; ≠ not interchangeable; ← new for old; → old for new

REF.No	Part No.	Description	Q'ty	S.No.	I/C	REMARKS	Weight (kgf)	Weight (lb)
010	TD030-12002	CASE FRONT AXLE	1	<=44980			0	0
010	TD030-12004	CASE FRONT AXLE	1	>=44981	←		30	66
020	16851-96010	PLUG	1				0.015	0.033
030	06331-35020	PLUG	1				0.068	0.1496
040	04724-00200	GASKET	1				0.003	0.0066
050	06331-45010	PLUG	1				0.02	0.044
060	04717-01000	WASHER WITH RUBBER	1				0.001	0.0022
070	04816-00490	O RING	1				0.005	0.011
080	04811-50700	O RING	1				0.002	0.0044
090	T0180-12070	PIPE BREATHER	1				0.015	0.033
100	09663-80725	TUBE FUEL	1				0.08	0.176
110	09318-88115	CLAMP HOSE	1				0.002	0.0044
120	TA150-13500	ASSY HOLDER FRONT	1				2.2	4.84
130	3A021-41680	BUSH DU	1				0.062	0.1364
140	06611-15010	NIPPLE GREASE	1				0.01	0.022
150	06312-10010	PLUG	1				0.007	0.0154
160	37410-56180	COLLAR THRUST	1				0.06	0.132
170	TA140-13600	ASSY HOLDER REAR	1				3.2	7.04
180	TA140-13640	BUSH	1				0.09	0.198
190	06613-10010	NIPPLE GREASE	1				0.006	0.0132
200	01574-61235	STUD	2				0.04	0.088
210	01574-51245	STUD	2				0.051	0.1122
220	04512-60120	WASHER SPRING	4				0.005	0.011
230	02176-50120	NUT	4				0.01	0.022
240	01133-51235	BOLT	2				0.043	0.0946
250	01133-51245	BOLT	2				0.055	0.121
260	01175-51645	BOLT	1				0.09	0.198
270	34070-13620	COLLAR THRUST	1				0.05	0.11
280	02176-50160	NUT	1				0.021	0.0462
290	04717-01610	WASHER WITH RUBBER	1				0.022	0.0484

BEVEL GEAR (FRONT)



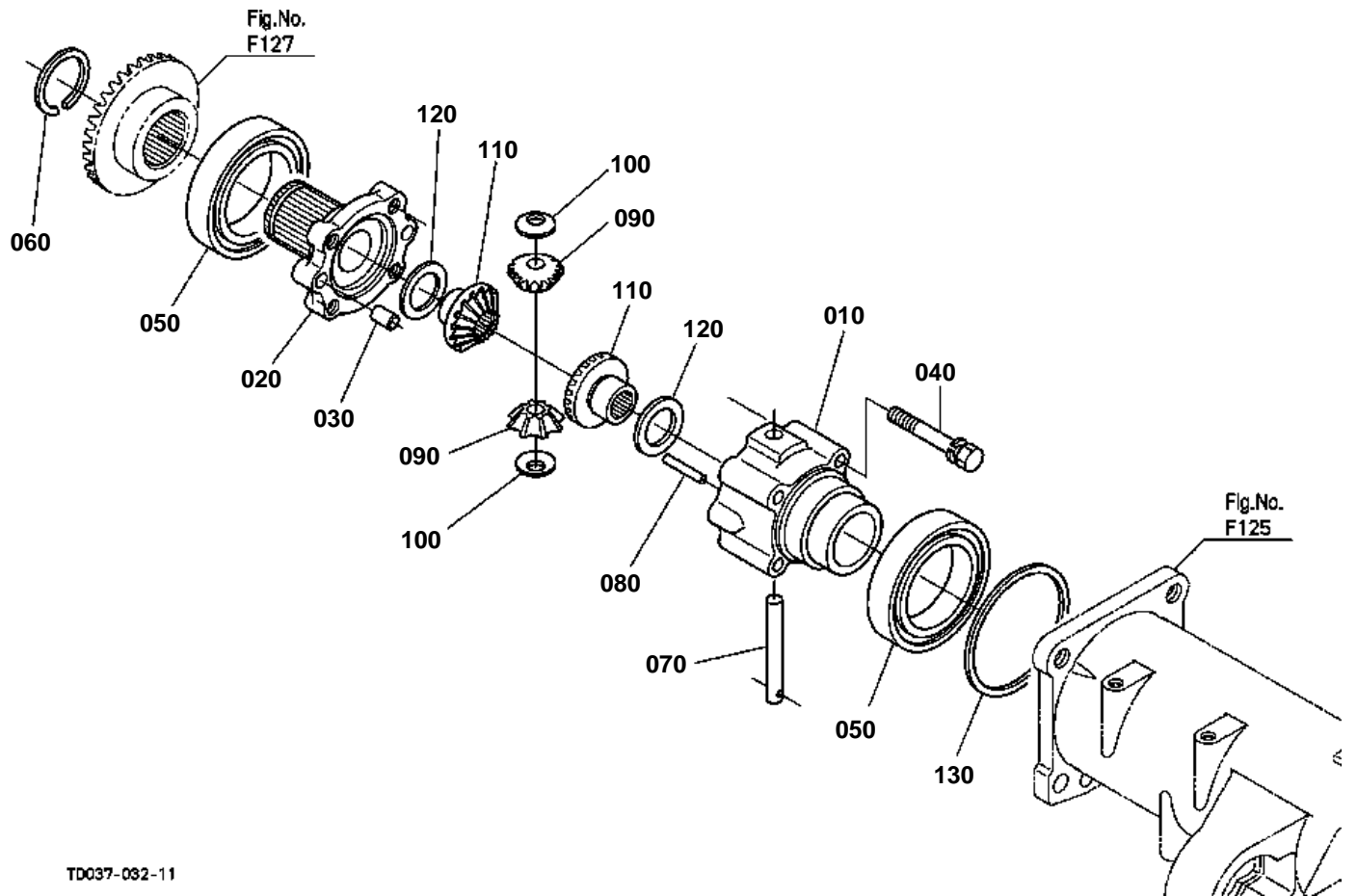
TD030-107-11

**BEVEL GEAR (FRONT)**

↔ Interchangeable; ≠ not interchangeable; ← new for old; → old for new

REF.No	Part No.	Description	Q'ty	S.No.	I/C	REMARKS	Weight (kgf)	Weight (lb)
010	TD030-12010	ASSY GEAR BEVEL	1			9-23T	1.8	3.96
020	34070-12200	BEARING TAPER-ROLLER	2				0.305	0.671
030	34070-12060	COLLAR	2			5.8mm	0.015	0.033
030	34070-12070	COLLAR	2			5.9mm	0.015	0.033
030	34070-12080	COLLAR	2			6.0mm	0.015	0.033
030	34070-12090	COLLAR	2			6.1mm	0.015	0.033
030	34070-12100	COLLAR	2			6.2mm	0.02	0.044
040	34070-12130	COLLAR	1			9.8mm	0.03	0.066
040	34070-12140	COLLAR	1			9.9mm	0.02	0.044
040	3A221-43100	COLLAR	1			10.0mm	0.025	0.055
040	34070-12160	COLLAR	1			10.1mm	0.03	0.066
040	34070-12170	COLLAR	1			10.2mm	0.03	0.066
050	37410-56710	NUT	1				0.03	0.066
060	34070-12220	SEAL OIL	1				0.03	0.066
070	04611-00580	CIR CLIP INTERNAL	1				0.005	0.011

DIFFERENTIAL(FRONT)

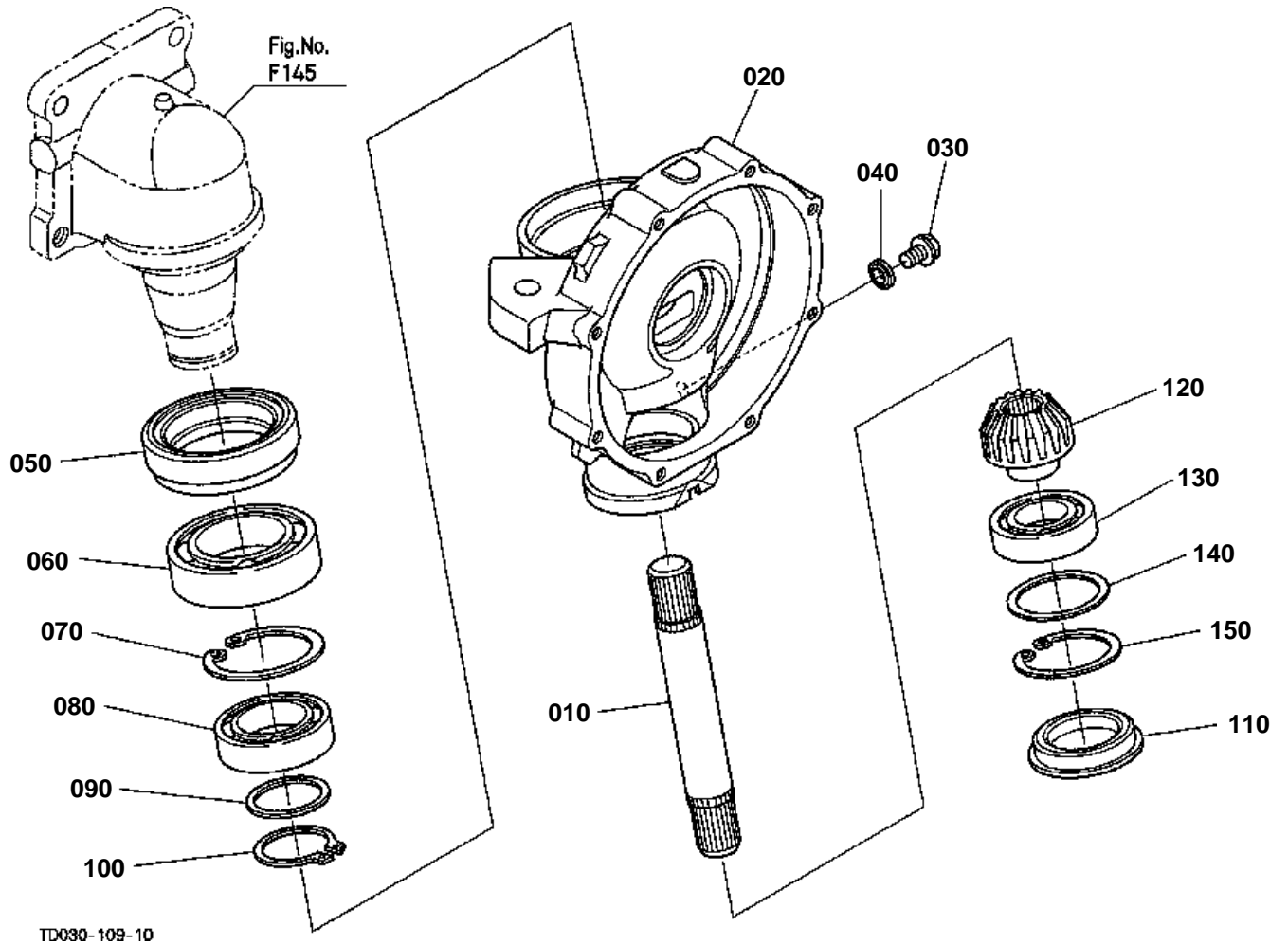


TD037-032-11

**DIFFERENTIAL(FRONT)**

↔ Interchangeable; ≠ not interchangeable; ← new for old; → old for new

REF.No	Part No.	Description	Q'ty	S.No.	I/C	REMARKS	Weight (kgf)	Weight (lb)
010	34070-12250	CASE DIFF.	1				1.895	4.169
020	32751-12260	CASE DIFF.	1				0.9	1.98
030	05012-01020	PIN STRAIGHT	2				0.013	0.0286
040	01133-51075	BOLT	4				0.03	0.066
050	08101-06212	BEARING BALL	2				0.78	1.716
060	34070-12280	CIR CLIP EXTERNAL	1				0.005	0.011
070	31353-43330	SHAFT PINION	1	<=36088			0	0
070	31353-43333	SHAFT PINION	1	>=36089	←		0.13	0.286
080	05012-00628	PIN STRAIGHT	1				0.006	0.0132
090	31353-43343	PINION DIFF.	2			12T	0.1	0.22
100	67121-56670	COLLAR PINION THRUST	2				0.006	0.0132
110	31353-43353	GEAR DIFF.SIDE	2			24T	0.19	0.418
120	67211-15160	SHIM	2			1.0mm	0.01	0.022
120	67211-15170	SHIM	2			0.8mm	0.008	0.0176
120	67211-15180	SHIM	2			1.2mm	0.01	0.022
120	31353-43360	SHIM	2			0.6mm	0.01	0.022
120	31353-43370	SHIM	2			0.4mm	0.01	0.022
130	34070-12300	SHIM	1			1.6mm	0.02	0.044
130	34070-12310	SHIM	1			1.8mm	0.03	0.066
130	34070-12320	SHIM	1			2.0mm	0.03	0.066
130	34070-12330	SHIM	1			2.2mm	0.03	0.066
130	34070-12340	SHIM	1			2.4mm	0.035	0.077



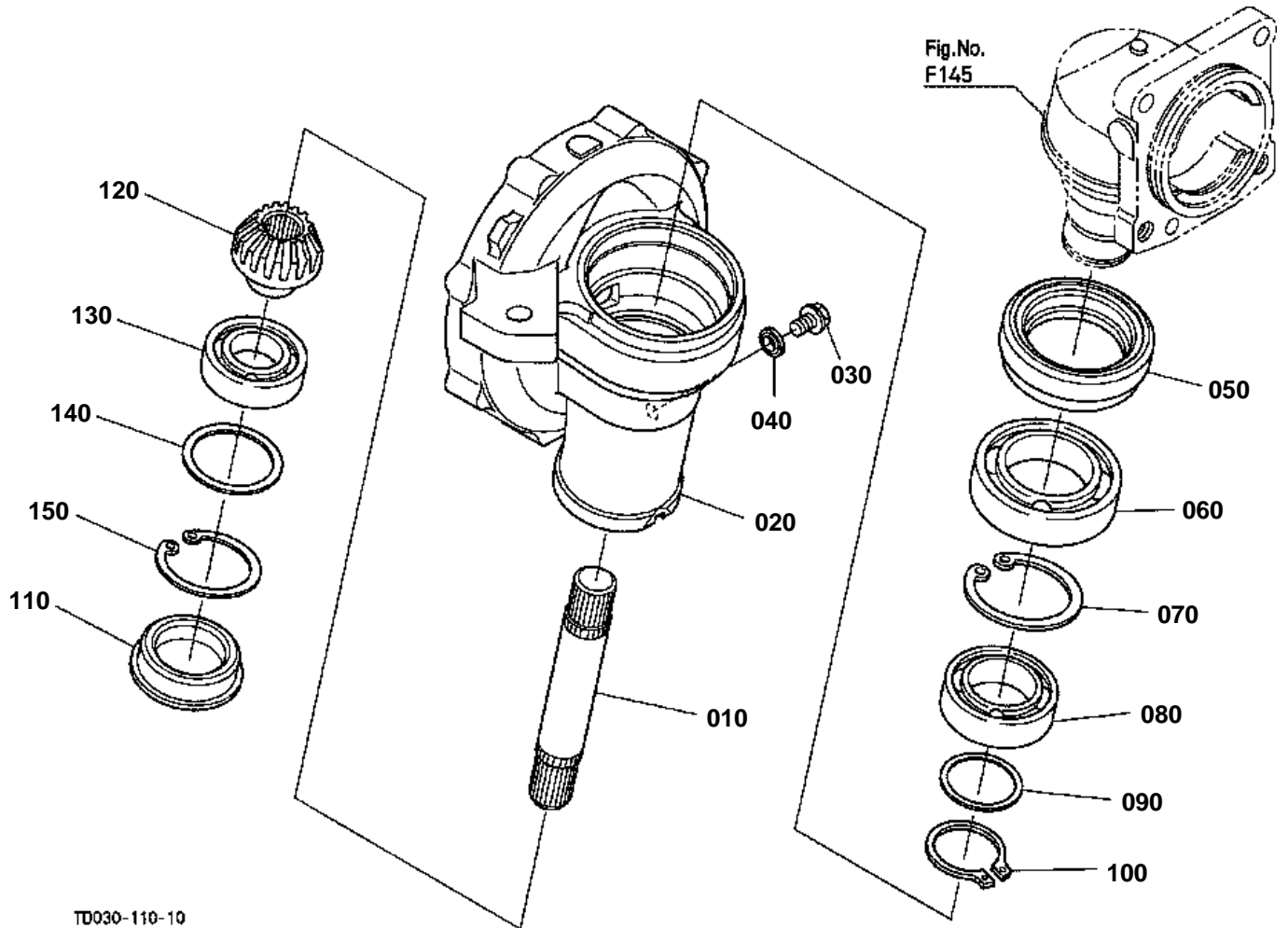


## FRONT AXLE CASE LH

↔ Interchangeable; ≠ not interchangeable; ← new for old; → old for new

REF.No	Part No.	Description	Q'ty	S.No.	I/C	REMARKS	Weight (kgf)	Weight (lb)
010	TD030-12720	SHAFT BEVEL GEAR	1			OLD PART	0.785	1.727
010	TD030-12722	SHAFT BEVEL GEAR	1		←	NEW PART	0.785	1.727
020	TD030-13020	CASE FRONT GEAR LH	1				8.7	19.14
030	06331-45010	PLUG	1				0.02	0.044
040	04717-01000	WASHER WITH RUBBER	1				0.001	0.0022
050	TA140-13040	SEAL OIL	1				0.155	0.341
060	TD060-12810	BEARING BALL	1				0.001	0.0022
070	04611-00800	CIR CLIP INTERNAL	1				0.02	0.044
080	TD030-12820	BEARING BALL	1				0.265	0.583
090	TA140-12080	SHIM	1			0.8mm	0.007	0.0154
090	TA140-12100	SHIM	1			1.0mm	0.008	0.0176
090	TA140-12120	SHIM	1			1.2mm	0.01	0.022
090	TA140-12140	SHIM	1			1.4mm	0.011	0.0242
090	TA140-12160	SHIM	1			1.6mm	0.013	0.0286
100	04612-00500	CIR CLIP EXTERNAL	1				0.009	0.0198
110	34070-13100	PLUG	1				0.06	0.132
120	TD030-13200	GEAR BEVEL	1			11T	0.475	1.045
130	08101-06207	BEARING BALL	1				0.282	0.6204
140	37410-57160	SHIM	1			1.0mm	0.01	0.022
140	37410-57170	SHIM	1			1.2mm	0.011	0.0242
140	34070-12610	SHIM	1			1.4mm	0.015	0.033
140	34070-12620	SHIM	1			1.6mm	0.015	0.033
140	34070-12630	SHIM	1			1.8mm	0.015	0.033
140	34070-12640	SHIM	1			2.0mm	0.02	0.044
140	34070-12650	SHIM	1			2.2mm	0.02	0.044
150	04611-00720	CIR CLIP INTERNAL	1				0.018	0.0396

FRONT AXLE CASE RH



TD030-110-10



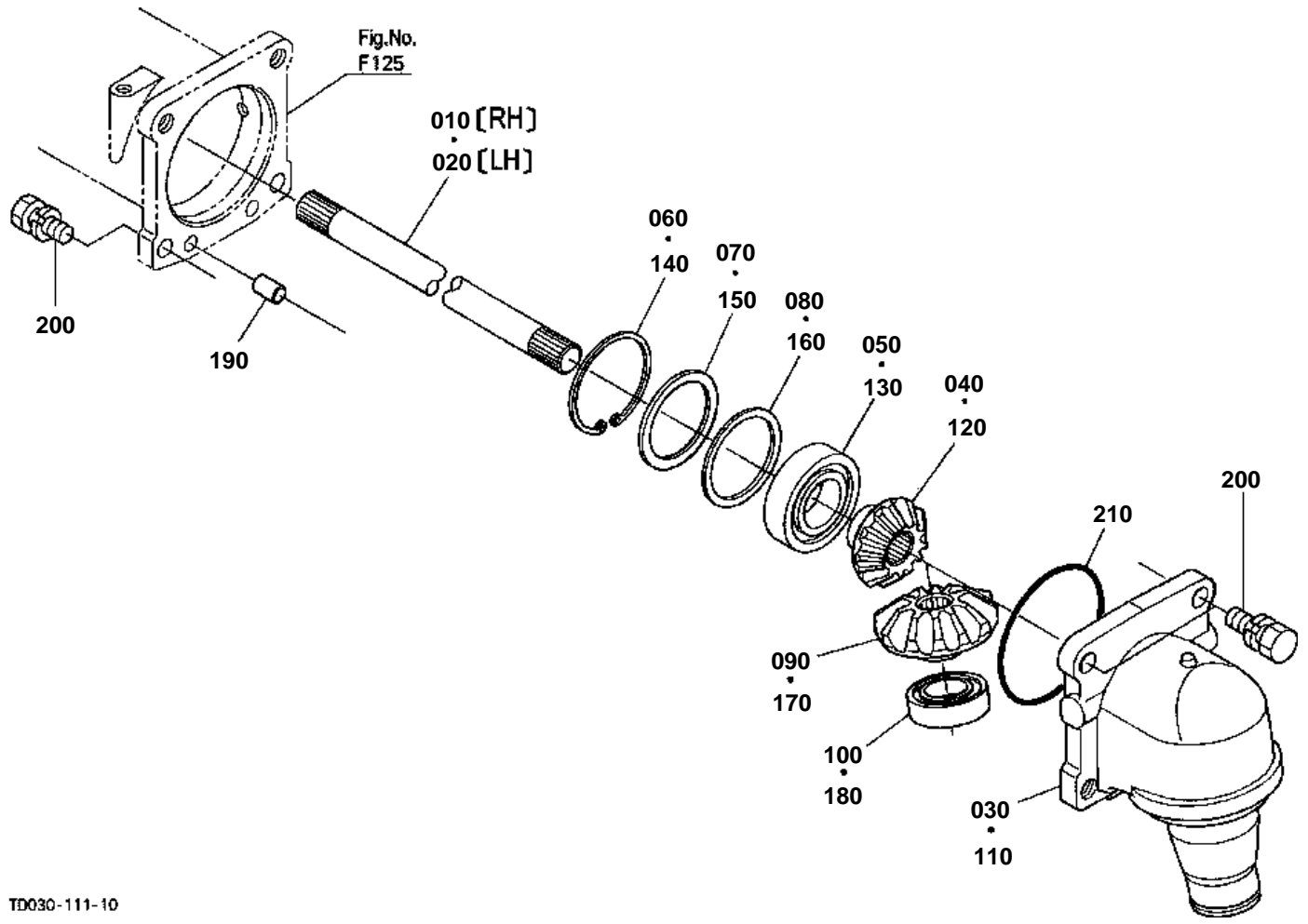


## FRONT AXLE CASE RH

↔ Interchangeable; ≠ not interchangeable; ← new for old; → old for new

REF.No	Part No.	Description	Q'ty	S.No.	I/C	REMARKS	Weight (kgf)	Weight (lb)
010	TD030-12720	SHAFT BEVEL GEAR	1			OLD PART	0.785	1.727
010	TD030-12722	SHAFT BEVEL GEAR	1		←	NEW PART	0.785	1.727
020	TD030-13010	CASE FRONT GEAR RH	1				8.7	19.14
030	06331-45010	PLUG	1				0.02	0.044
040	04717-01000	WASHER WITH RUBBER	1				0.001	0.0022
050	TA140-13040	SEAL OIL	1				0.155	0.341
060	TD060-12810	BEARING BALL	1				0.001	0.0022
070	04611-00800	CIR CLIP INTERNAL	1				0.02	0.044
080	TD030-12820	BEARING BALL	1				0.265	0.583
090	TA140-12080	SHIM	1			0.8mm	0.007	0.0154
090	TA140-12100	SHIM	1			1.0mm	0.008	0.0176
090	TA140-12120	SHIM	1			1.2mm	0.01	0.022
090	TA140-12140	SHIM	1			1.4mm	0.011	0.0242
090	TA140-12160	SHIM	1			1.6mm	0.013	0.0286
100	04612-00500	CIR CLIP EXTERNAL	1				0.009	0.0198
110	34070-13100	PLUG	1				0.06	0.132
120	TD030-13200	GEAR BEVEL	1			11T	0.475	1.045
130	08101-06207	BEARING BALL	1				0.282	0.6204
140	37410-57160	SHIM	1			1.0mm	0.01	0.022
140	37410-57170	SHIM	1			1.2mm	0.011	0.0242
140	34070-12610	SHIM	1			1.4mm	0.015	0.033
140	34070-12620	SHIM	1			1.6mm	0.015	0.033
140	34070-12630	SHIM	1			1.8mm	0.015	0.033
140	34070-12640	SHIM	1			2.0mm	0.02	0.044
140	34070-12650	SHIM	1			2.2mm	0.02	0.044
150	04611-00720	CIR CLIP INTERNAL	1				0.018	0.0396

DIFFERENTIAL GEAR SHAFT



TD030-111-10

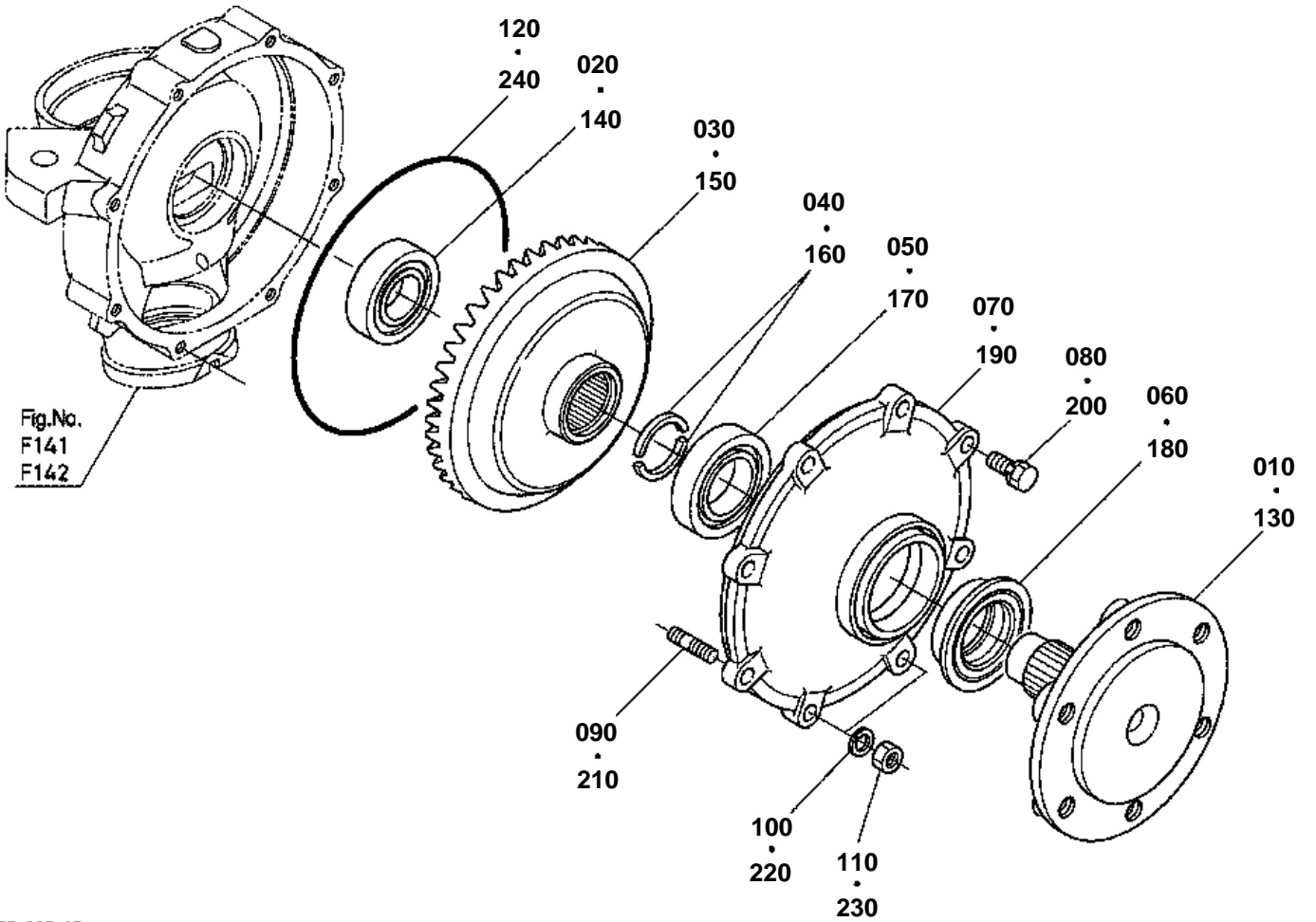


## DIFFERENTIAL GEAR SHAFT

↔ Interchangeable; ≠ not interchangeable; ← new for old; → old for new

REF.No	Part No.	Description	Q'ty	S.No.	I/C	REMARKS	Weight (kgf)	Weight (lb)
010	T0070-12450	SHAFT YOKE LH	1			RH	1.77	3.894
020	T0070-12460	SHAFT YOKE RH	1			LH	1.1	2.42
030	TA140-12800	CASE BEVEL GEAR	1				4.4	9.68
040	TA040-12520	GEAR BEVEL	1			11T	0.37	0.814
050	TD030-12540	BEARING BALL	1				0.45	0.99
060	04611-00800	CIR CLIP INTERNAL	1				0.02	0.044
070	TA040-12702	COLLAR	1				0.035	0.077
080	31353-43750	SHIM	1			0.4mm	0.008	0.0176
080	31353-43760	SHIM	1			0.6mm	0.01	0.022
080	31353-43770	SHIM	1			0.8mm	0.015	0.033
080	31353-43780	SHIM	1			1.0mm	0.014	0.0308
080	31353-43790	SHIM	1			1.2mm	0.015	0.033
090	TA040-12530	GEAR BEVEL	1			16T	0.67	1.474
100	08101-06207	BEARING BALL	1				0.282	0.6204
110	TA140-12800	CASE BEVEL GEAR	1				4.4	9.68
120	TA040-12520	GEAR BEVEL	1			11T	0.37	0.814
130	TD030-12540	BEARING BALL	1				0.45	0.99
140	04611-00800	CIR CLIP INTERNAL	1				0.02	0.044
150	TA040-12702	COLLAR	1				0.035	0.077
160	31353-43750	SHIM	1			0.4mm	0.008	0.0176
160	31353-43760	SHIM	1			0.6mm	0.01	0.022
160	31353-43770	SHIM	1			0.8mm	0.015	0.033
160	31353-43780	SHIM	1			1.0mm	0.014	0.0308
160	31353-43790	SHIM	1			1.2mm	0.015	0.033
170	TA040-12530	GEAR BEVEL	1			16T	0.67	1.474
180	08101-06207	BEARING BALL	1				0.282	0.6204
190	31353-43880	PIN STRAIGHT	4				0.02	0.044
200	01133-51435	BOLT	8				0.001	0.0022
210	04811-51050	O RING	2				0.003	0.0066

FRONT AXLE



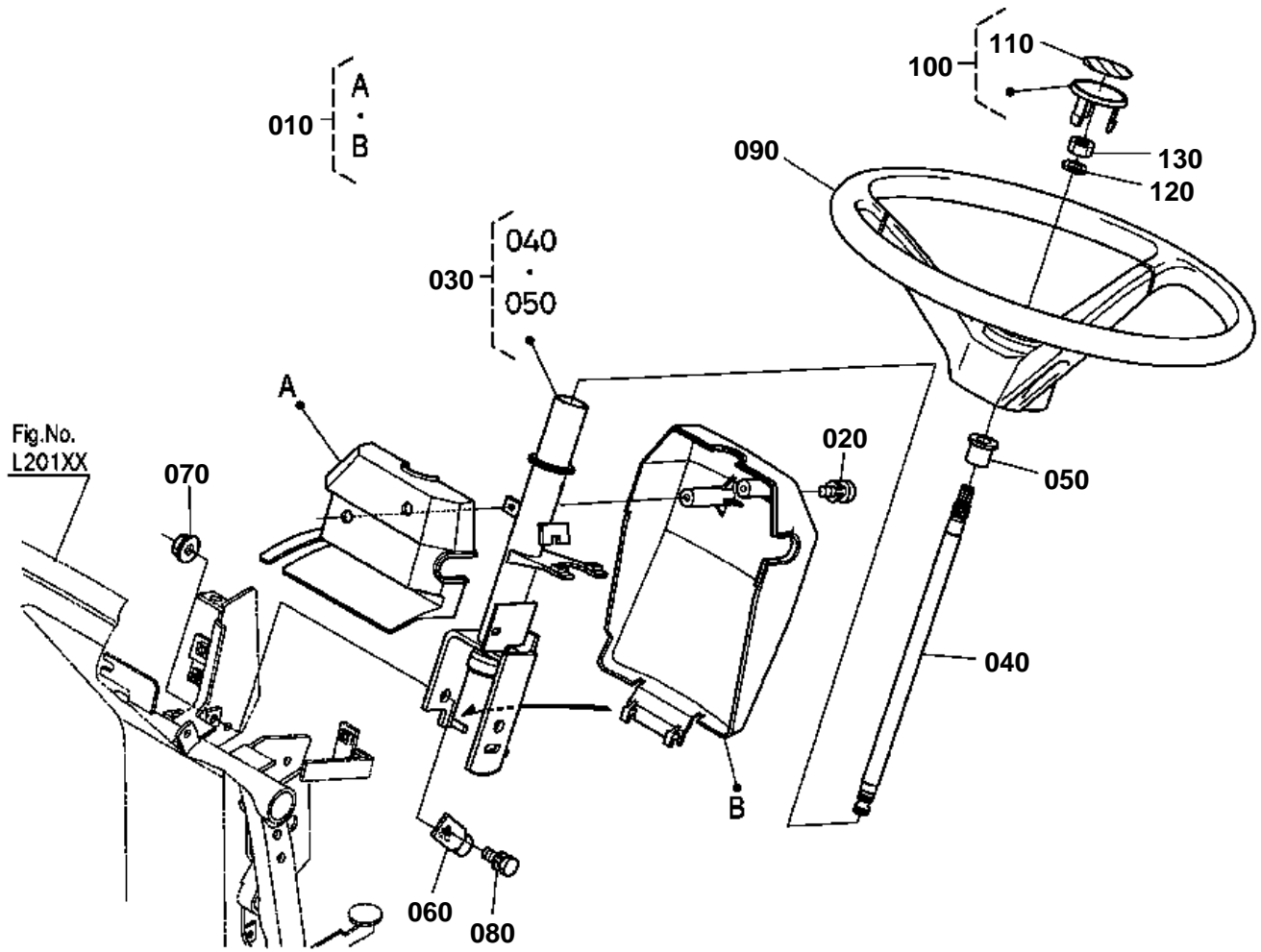
TD030-112-10



## FRONT AXLE

↔ Interchangeable; ≠ not interchangeable; ← new for old; → old for new

REF.No	Part No.	Description	Q'ty	S.No.	I/C	REMARKS	Weight (kgf)	Weight (lb)
010	34070-13330	AXLE FRONT	1				3.5	7.7
020	TA140-13140	BEARING BALL	1				0.25	0.55
030	TD030-13210	GEAR BEVEL	1			42T	5.4	11.88
040	34070-13350	COLLAR	2				0.01	0.022
050	TA140-13150	BEARING BALL	1	<=47576			0.37	0.814
050	TD030-13150	BEARING BALL	1	>=47577	←		0	0
060	34070-13370	SEAL OIL	1				0.1	0.22
070	TA040-13133	COVER FRONT AXLE	1				3.05	6.71
080	01123-50825	BOLT	6				0.013	0.0286
090	01513-60825	STUD	2				0.012	0.0264
100	04512-60080	WASHER SPRING	2				0.002	0.0044
110	02156-50080	NUT	2				0.004	0.0088
120	31353-44130	O RING	1				0.01	0.022
130	34070-13330	AXLE FRONT	1				3.5	7.7
140	TA140-13140	BEARING BALL	1				0.25	0.55
150	TD030-13210	GEAR BEVEL	1			42T	5.4	11.88
160	34070-13350	COLLAR	2				0.01	0.022
170	TA140-13150	BEARING BALL	1	<=47576			0.37	0.814
170	TD030-13150	BEARING BALL	1	>=47577	←		0	0
180	34070-13370	SEAL OIL	1				0.1	0.22
190	TA040-13133	COVER FRONT AXLE	1				3.05	6.71
200	01123-50825	BOLT	6				0.013	0.0286
210	01513-60825	STUD	2				0.012	0.0264
220	04512-60080	WASHER SPRING	2				0.002	0.0044
230	02156-50080	NUT	2				0.004	0.0088
240	31353-44130	O RING	1				0.01	0.022

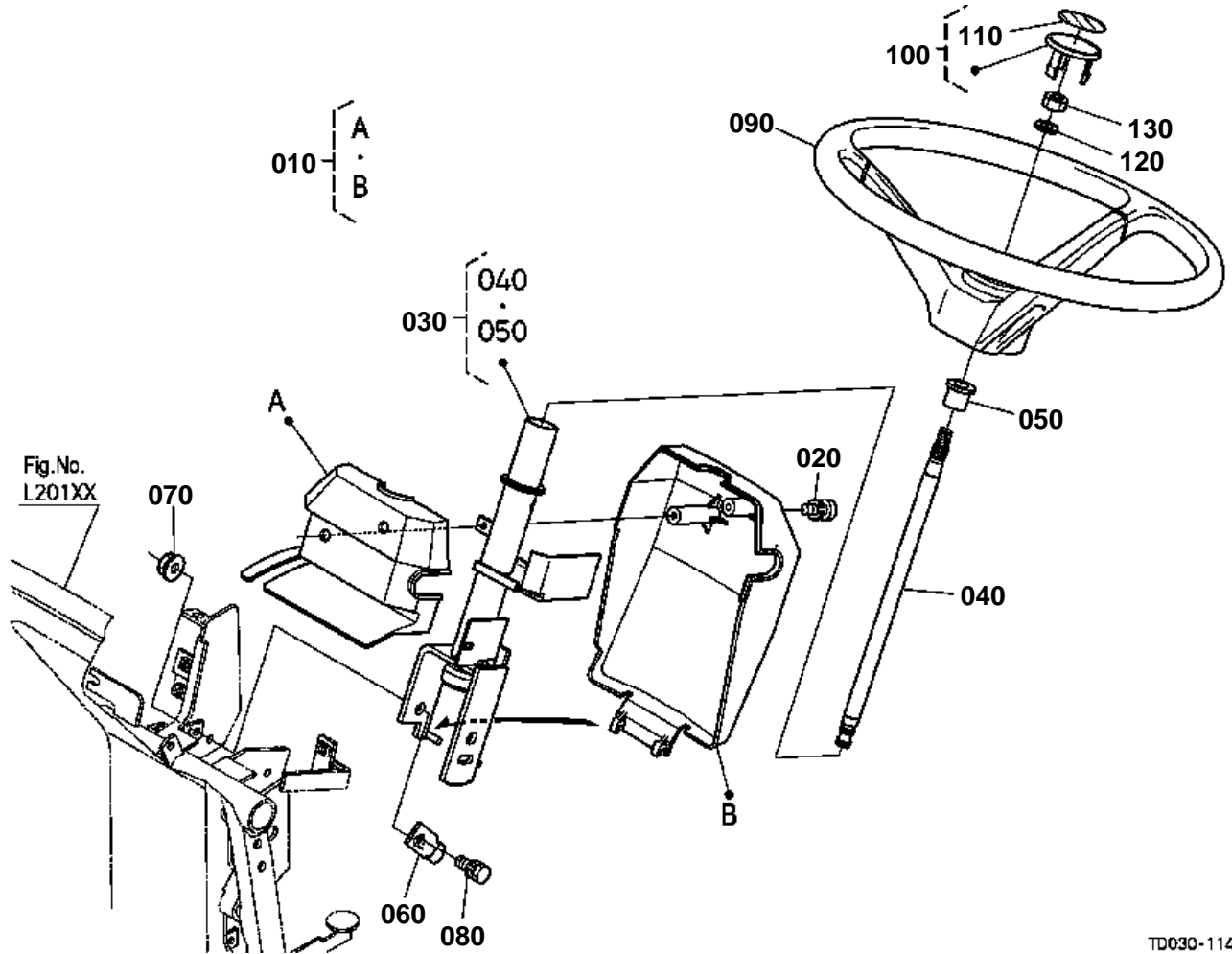


TD030-113-12

**STEERING HANDLE [EXCEPT HST TYPE]**

↔ Interchangeable; ≠ not interchangeable; ← new for old; → old for new

REF.No	Part No.	Description	Q'ty	S.No.	I/C	REMARKS	Weight (kgf)	Weight (lb)
010	T1060-43180	ASSY COVER STEE.POS.	1				0.37	0.814
020	03024-50516	SCREW WITH WASHER	2				0.004	0.0088
030	TD060-43600	ASSY POST STEERING	1				1.49	3.278
040	TD060-43680	SHAFT STEERING	1				0.51	1.122
050	37410-41340	BUSH POST	1				0.015	0.033
060	T1060-43670	BOLT	1	<=35755			0	0
060	T1060-43672	BOLT	1	>=35756	←		0.03	0.066
070	02751-50080	NUT FLANGE	1				0.006	0.0132
080	01023-50610	BOLT	1				0.005	0.011
090	TD060-18110	WHEEL STEERING	1				2.5	5.5
100	3F740-62580	PAD STEERING	1	<=33968			0	0
100	3F740-62583	PAD STEERING	1	>=33969	←		0.02	0.044
110	3F740-62800	LABEL PAD	1	<=33968			0	0
110	3F740-62802	LABEL PAD	1	>=33969	←		0.006	0.0132
120	04512-60120	WASHER SPRING	1				0.005	0.011
130	02176-50120	NUT	1				0.01	0.022



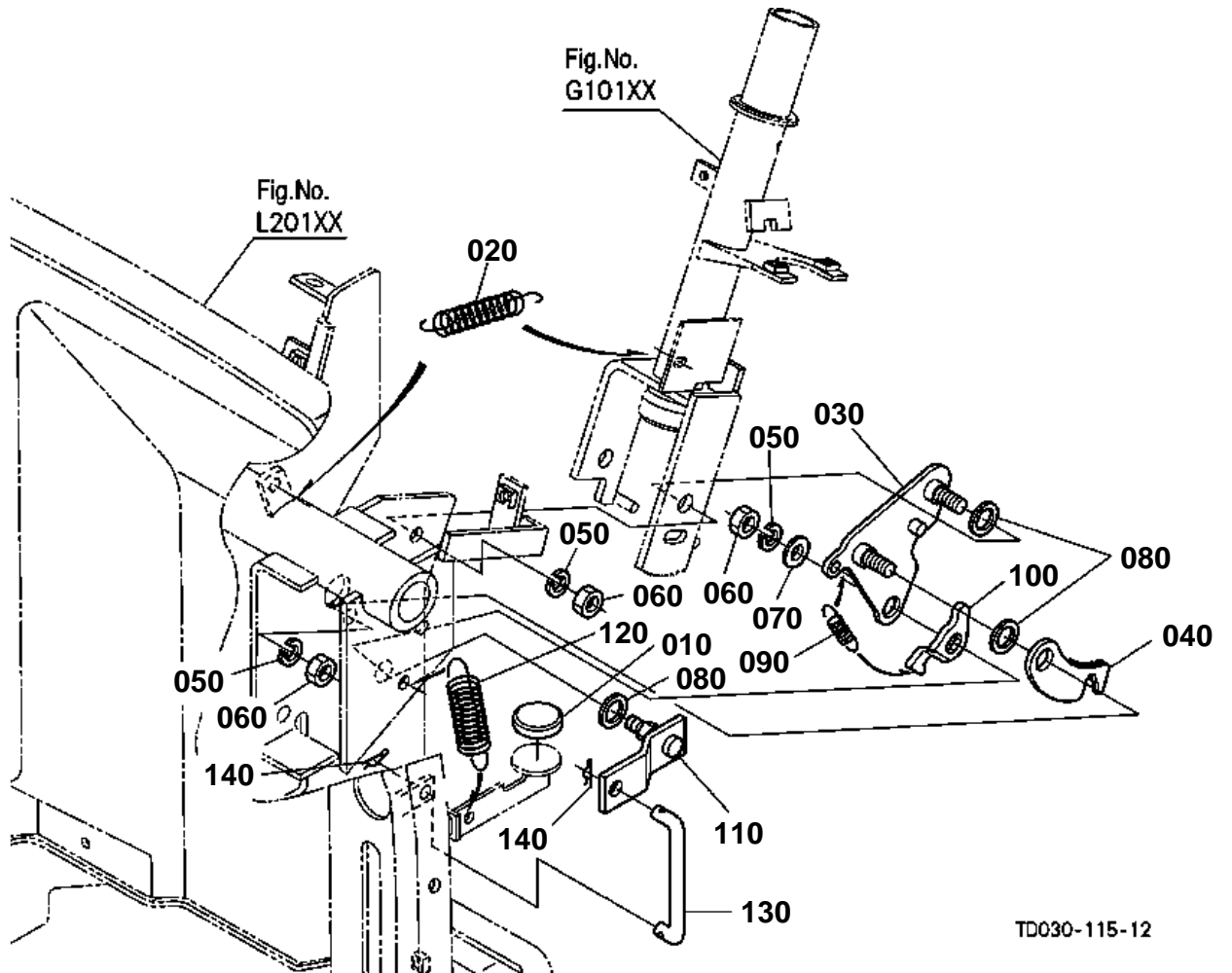
TD030-114-12



**STEERING HANDLE [HST TYPE] [ROPS TYPE]**

↔ Interchangeable; ≠ not interchangeable; ← new for old; → old for new

REF.No	Part No.	Description	Q'ty	S.No.	I/C	REMARKS	Weight (kgf)	Weight (lb)
010	T1060-43180	ASSY COVER STEE.POS.	1				0.37	0.814
020	03024-50516	SCREW WITH WASHER	2				0.004	0.0088
030	TD060-57400	ASSY POST STEERING	1				1.47	3.234
040	TD060-43680	SHAFT STEERING	1				0.51	1.122
050	37410-41340	BUSH POST	1				0.015	0.033
060	T1060-43670	BOLT	1	<=35755			0	0
060	T1060-43672	BOLT	1	>=35756	←		0.03	0.066
070	02751-50080	NUT FLANGE	1				0.006	0.0132
080	01023-50610	BOLT	1				0.005	0.011
090	TD060-18110	WHEEL STEERING	1				2.5	5.5
100	3F740-62580	PAD STEERING	1	<=33968			0	0
100	3F740-62583	PAD STEERING	1	>=33969	←		0.02	0.044
110	3F740-62800	LABEL PAD	1	<=33968			0	0
110	3F740-62802	LABEL PAD	1	>=33969	←		0.006	0.0132
120	04512-60120	WASHER SPRING	1				0.005	0.011
130	02176-50120	NUT	1				0.01	0.022



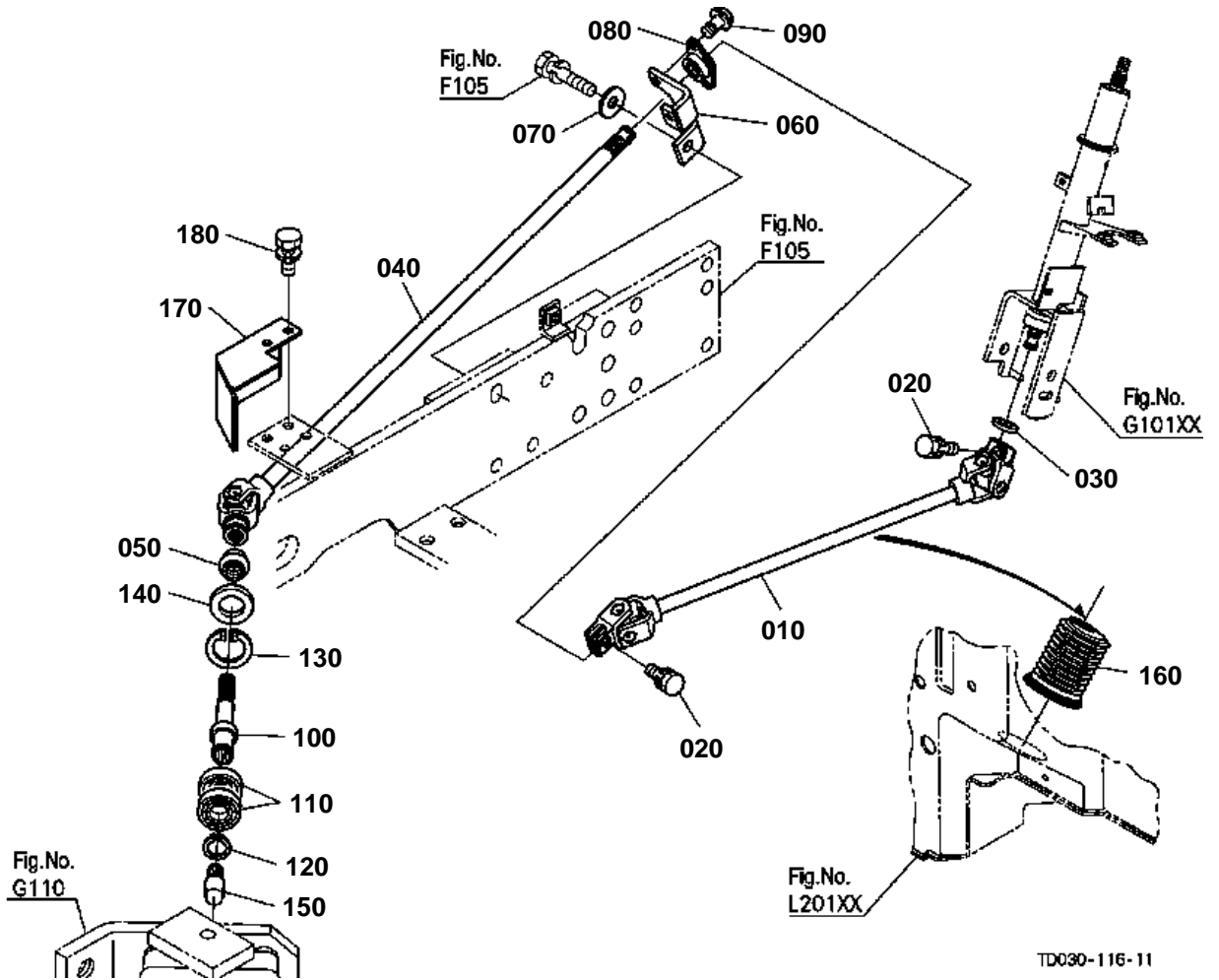


# TILT PEDAL [ROPS TYPE]

↔ Interchangeable; ≠ not interchangeable; ← new for old; → old for new

REF.No	Part No.	Description	Q'ty	S.No.	I/C	REMARKS	Weight (kgf)	Weight (lb)
010	36919-62320	RUBBER PEDAL	1				0.008	0.0176
020	31391-47140	SPRING	1				0.025	0.055
030	T1060-43700	BRACKET TILT	1				0.125	0.275
040	T1060-43640	ROCK TILT	1				0.055	0.121
050	04512-60080	WASHER SPRING	3				0.002	0.0044
060	02114-50080	NUT	3				0.005	0.011
070	04013-60080	WASHER PLAIN	1				0.002	0.0044
080	04714-00120	GASKET	3				0.001	0.0022
090	T1060-43630	SPRING	1				0.005	0.011
100	T1060-43710	LEVER TILT	1				0.02	0.044
110	T1060-43720	LEVER TILT	1				0.06	0.132
120	31391-47140	SPRING	1				0.025	0.055
120	T1270-47150	SPRING	1		←	OLD PART NEW PART	0 0	0 0
130	T1060-43690	ROD TILT	1				0.022	0.0484
140	05525-60600	PIN SNAP	2				0.001	0.0022

UNIVERSAL JOINT [ROPS TYPE]

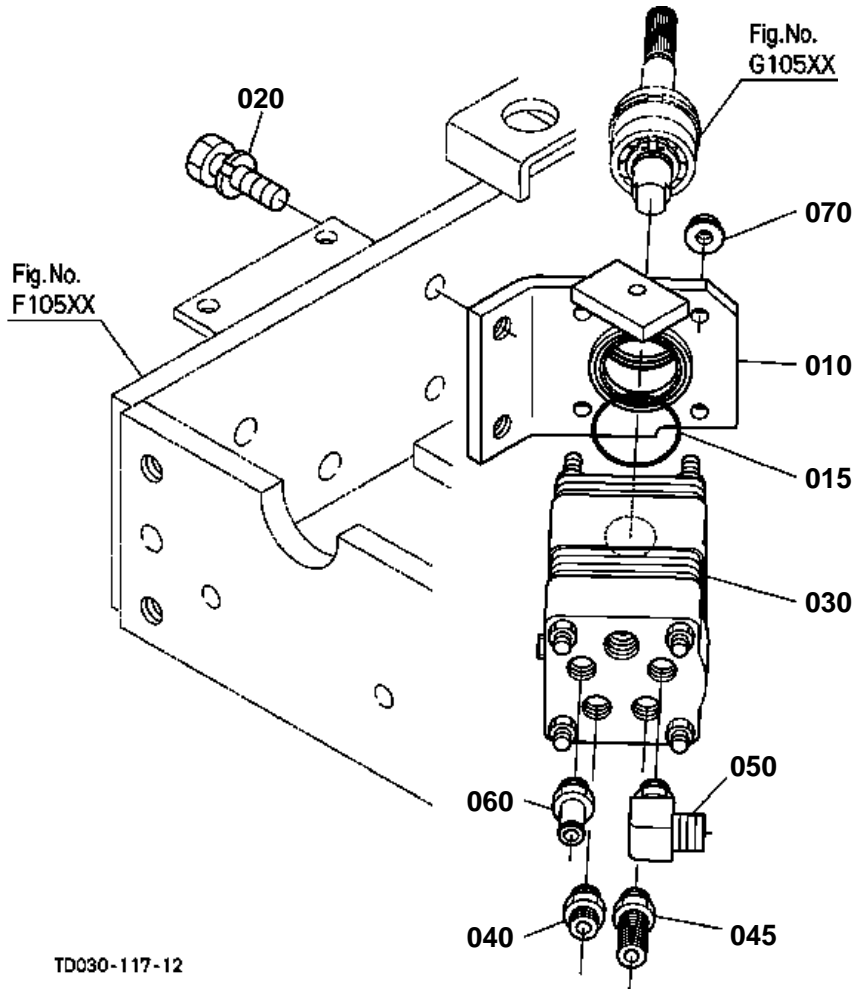


**UNIVERSAL JOINT [ROPS TYPE]**

↔ Interchangeable; ≠ not interchangeable; ← new for old; → old for new

REF.No	Part No.	Description	Q'ty	S.No.	I/C	REMARKS	Weight (kgf)	Weight (lb)
010	TD030-18210	JOINT UNIVERSAL	1				1.09	2.398
020	01123-50825	BOLT	2				0.013	0.0286
030	37410-41320	COLLAR	1				0.005	0.011
040	TD030-18260	JOINT UNIVERSAL	1				1.535	3.377
050	6A100-41640	COVER JOINT	1	≤41855			0.005	0.011
050	TD060-18270	COVER JOINT	1	≥41856	←		0	0
060	TD030-18310	SUPPORT UJ.	1				0.2	0.44
070	04014-50120	WASHER PLAIN	1				0.007	0.0154
080	34070-43860	BEARING FLANGE	1				0.1	0.22
090	01754-50816	BOLT FLANGE	2				0.011	0.0242
100	TD060-18220	SHAFT JOINT	1				0.213	0.4686
110	TD060-18250	BEARING BALL	2				0.065	0.143
120	04612-00200	CIR CLIP EXTERNAL	1				0.001	0.0022
130	04611-00420	CIR CLIP INTERNAL	1				0.006	0.0132
140	09500-25428	SEAL OIL	1				0.013	0.0286
150	TD060-18240	SHAFT JOINT	1				0.075	0.165
160	T1060-43333	GROMMET	1				0.096	0.2112
170	TD060-18290	COVER JOINT	1				0.19	0.418
180	01123-50812	BOLT	2				0.1	0.22

STEERING CONTROLLER



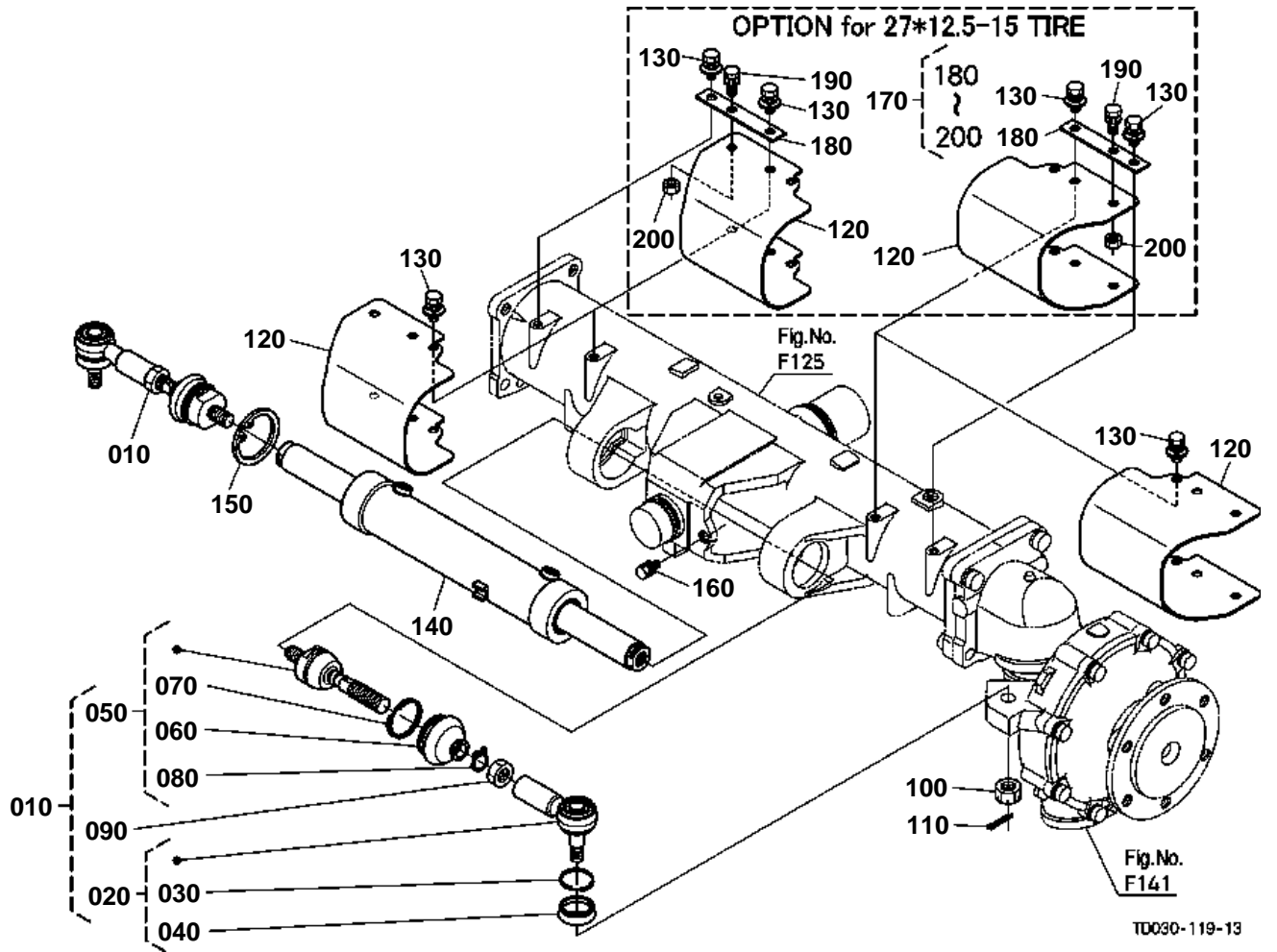


## STEERING CONTROLLER

↔ Interchangeable; ≠ not interchangeable; ← new for old; → old for new

REF.No	Part No.	Description	Q'ty	S.No.	I/C	REMARKS	Weight (kgf)	Weight (lb)
010	TD060-18230	STAY CONTROLLER	1				0.95	2.09
015	04811-10420	O RING	1				0.001	0.0022
020	01133-51230	BOLT	2				0.04	0.088
030	TD030-37000	CONTROLLER	1				4.8	10.56
040	TD060-37320	JOINT PS CYLINDER	1				0.035	0.077
045	TD060-37340	JOINT PS CYLINDER	1				0.055	0.121
050	TD060-37300	JOINT	1				0.09	0.198
060	TD060-37330	JOINT RETURN	1				0.035	0.077
070	16429-92010	NUT	4				0.007	0.0154

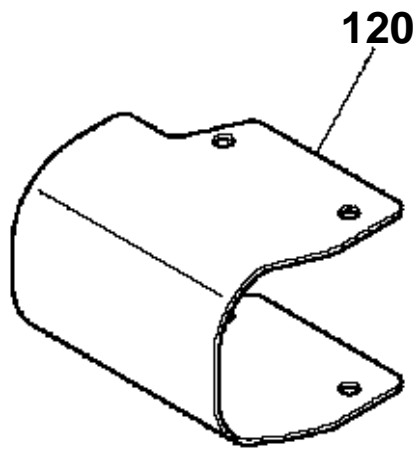
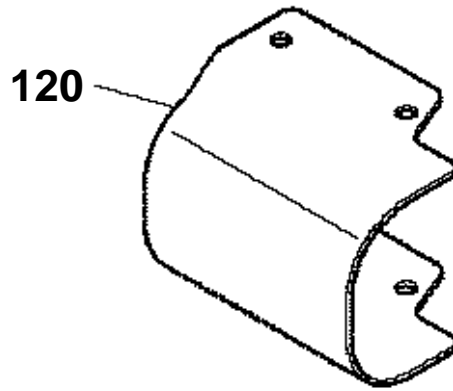
# STEERING CYLINDER



TD030-119-13



# OLD PARTS



**TD030-835-10**

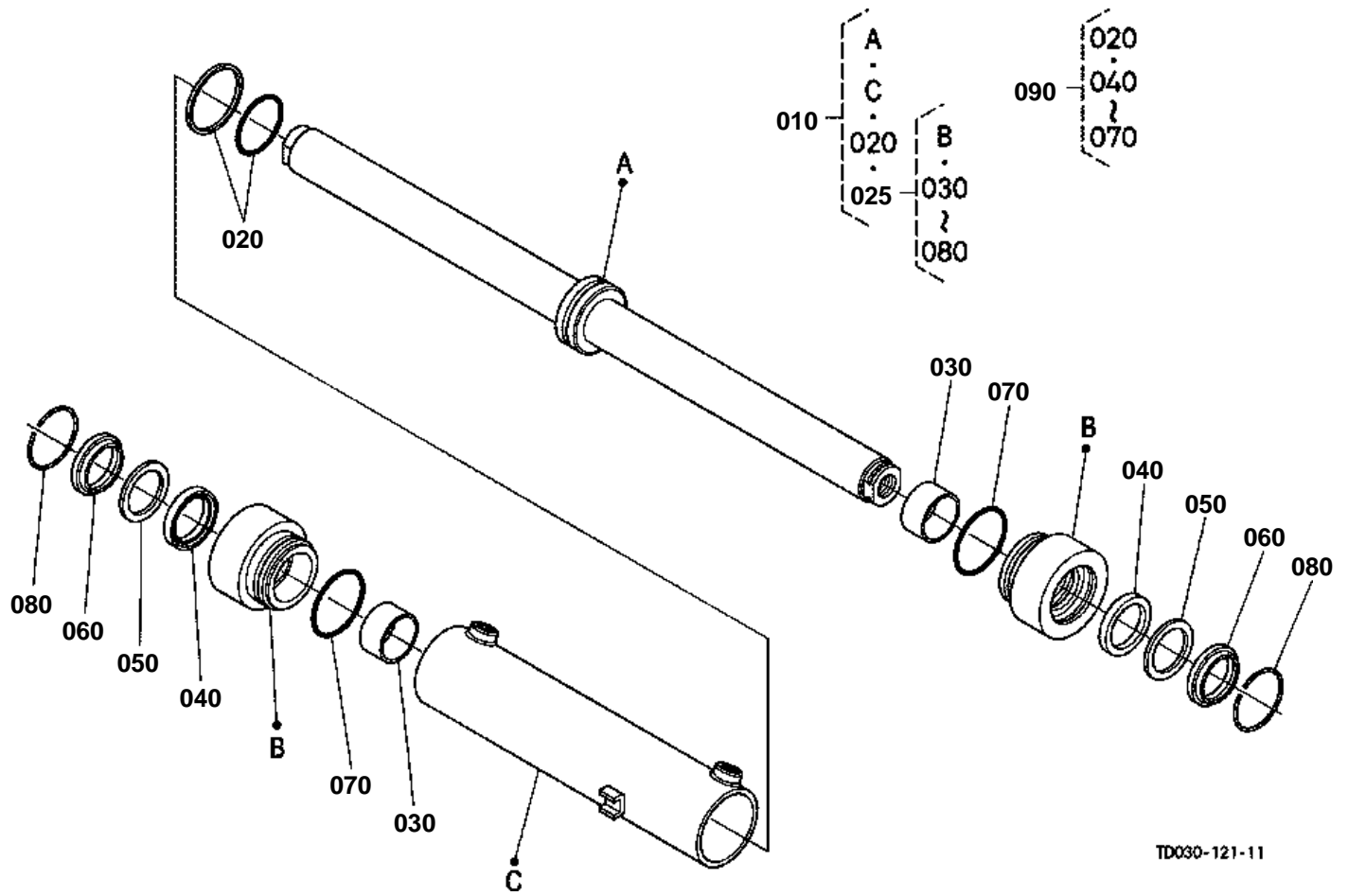


STEERING CYLINDER

↔ Interchangeable; ≠ not interchangeable; ← new for old; → old for new

REF.No	Part No.	Description	Q'ty	S.No.	I/C	REMARKS	Weight (kgf)	Weight (lb)
010	TD030-13700	ASSY ROD TIE	2				1.24	2.728
020	TD030-13710	END TIE ROD	2				0.565	1.243
030	35270-12660	CLIP	2				0.005	0.011
040	32580-44780	COVER DUST	2				0.01	0.022
050	35080-44662	JOINT TIE ROD	2				0.65	1.43
060	35080-44680	COVER DUST	2				0.029	0.0638
070	35533-62860	RING SET	2				0.005	0.011
080	35080-44690	CLIP	2				0.002	0.0044
090	02172-50200	NUT	2				0.03	0.066
100	36330-62750	NUT	2				0.022	0.0484
110	05511-50328	PIN SPLIT	2				0.002	0.0044
120	TD030-14310	COVER	2	<=36741			0	0
120	TD030-14312	COVER	2	>=36742	←		0	0
120	TD030-14313	COVER	2	>=44981	←		0.635	1.397
130	01135-61020	BOLT	6				0.015	0.033
140	TD030-37800	CYLINDER HYDRAULIC	1				0.001	0.0022
150	04611-00680	CIR CLIP INTERNAL	1				0.016	0.0352
160	01123-60816	BOLT	1				0.01	0.022
170	TD030-99800	ASSY PLATE	1			OPTION FOR 27*12.5-15 TIRE	0.19	0.418
180	TD030-99810	PLATE	1			OPTION FOR 27*12.5-15 TIRE	0.065	0.143
190	01135-61020	BOLT	2			OPTION FOR 27*12.5-15 TIRE	0.015	0.033
200	02783-50100	NUT FLANGE	2			OPTION FOR 27*12.5-15 TIRE	0.01	0.022

STEERING CYLINDER [COMPONENT PARTS]



TD030-121-11

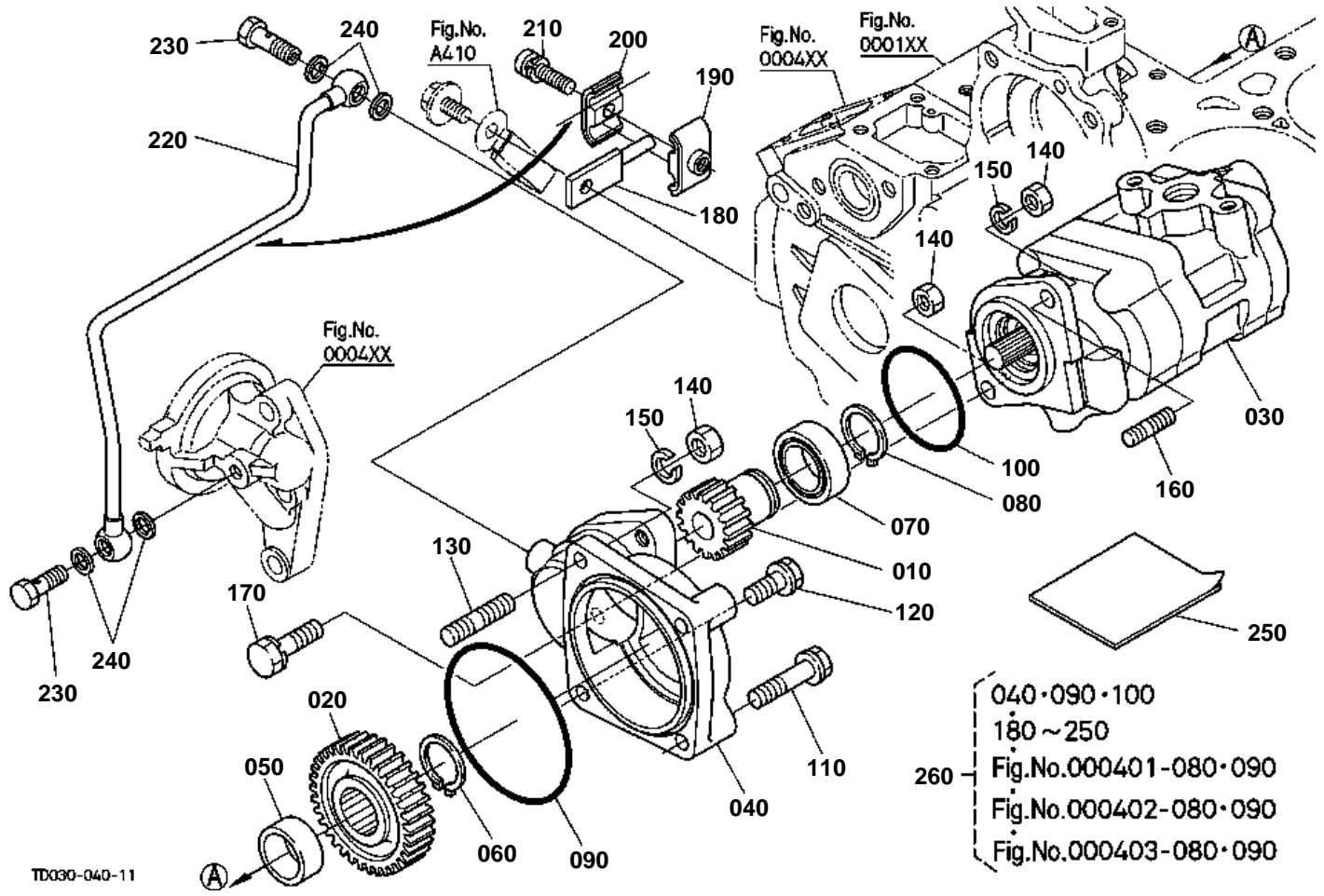


## STEERING CYLINDER [COMPONENT PARTS]

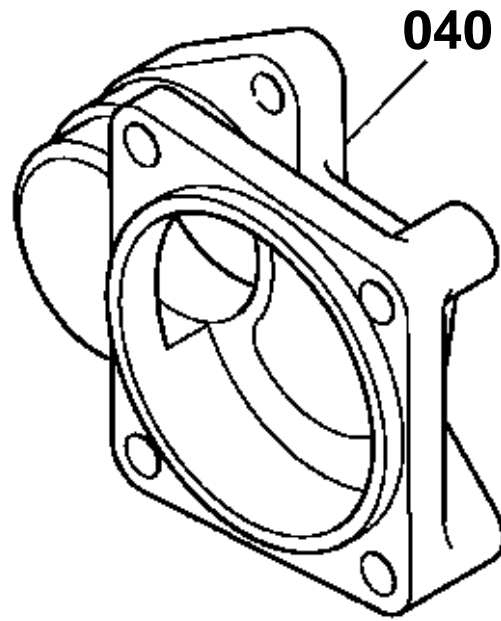
↔ Interchangeable; ≠ not interchangeable; ← new for old; → old for new

REF.No	Part No.	Description	Q'ty	S.No.	I/C	REMARKS	Weight (kgf)	Weight (lb)
010	TD030-37800	CYLINDER HYDRAULIC	1				0.001	0.0022
020	TD060-37570	SEAL PISTON	1				0.01	0.022
025	TD060-37840	ASSY END ROD	2				0.7	1.54
030	TD060-37920	BUSH	2				0.032	0.0704
040	TD060-37560	SEAL ROD	2				0.005	0.011
050	TD060-37930	RING BACK UP	2				0.005	0.011
060	TD060-37580	SEAL DUST	2				0.016	0.0352
070	TD060-37940	O RING	2				0.002	0.0044
080	TD060-37960	RING SNAP	2				0.003	0.0066
090	TD060-37950	KIT SEAL	1			OPTION	0.064	0.1408

# HYDRAULIC PUMP



# OLD PARTS



TD030-861-10

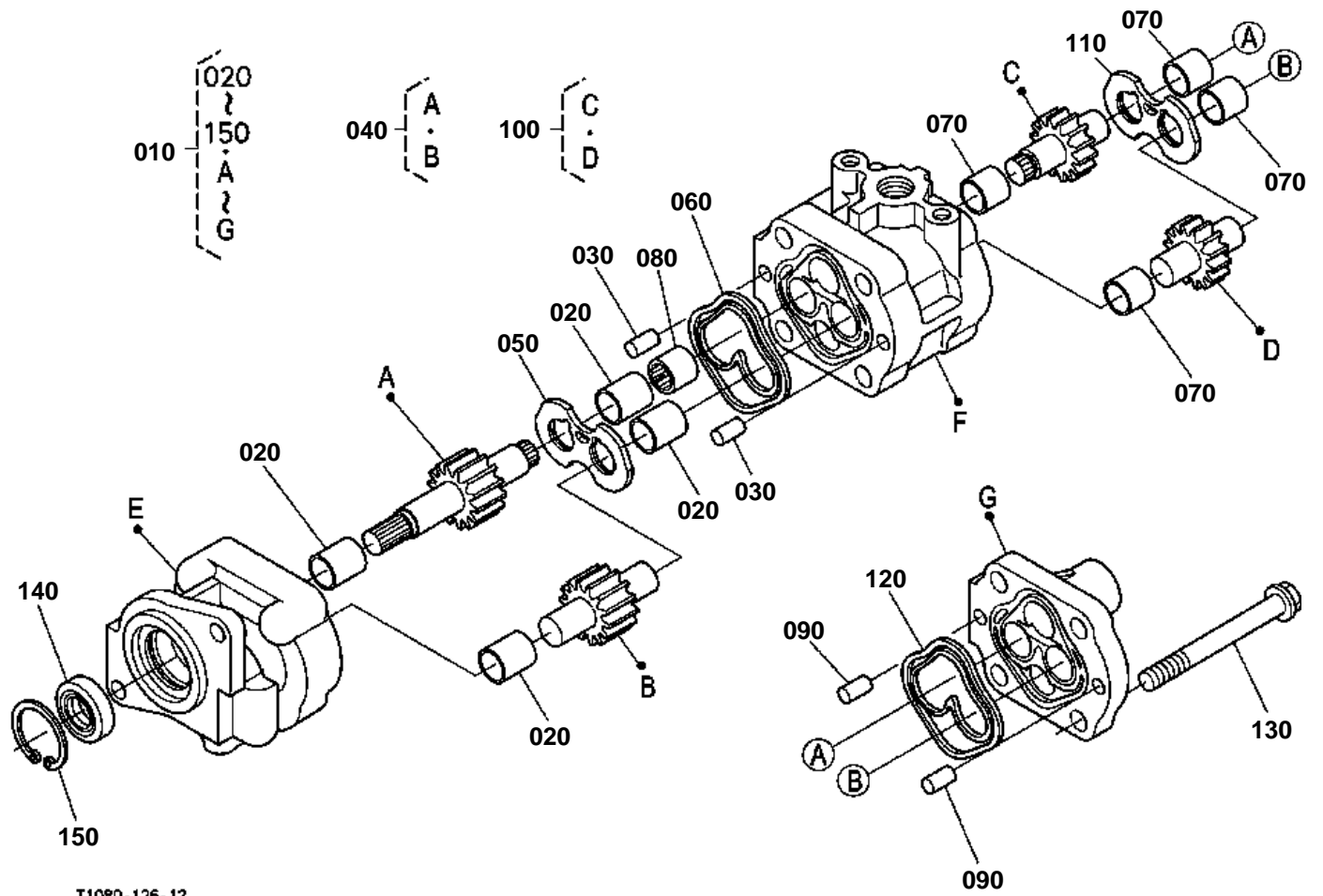


## HYDRAULIC PUMP

↔ Interchangeable; ≠ not interchangeable; ← new for old; → old for new

REF.No	Part No.	Description	Q'ty	S.No.	I/C	REMARKS	Weight (kgf)	Weight (lb)
010	T1062-36820	GEAR PUMP DRIVE	1			17T	0.15	0.33
020	T1062-36810	GEAR PUMP DRIVE	1			41T	0.51	1.122
030	T1150-36403	ASSY PUMP HYDRAULIC	1				2.75	6.05
040	34070-33612	HOLDER PUMP	1			OLD PART	0.375	0.825
040	TD030-33610	HOLDER PUMP	1		≠	NEW PART	0	0
050	T1060-36830	COLLAR	1			14mm	0.031	0.0682
060	04612-00250	CIR CLIP EXTERNAL	1				0.002	0.0044
070	TD060-36850	BEARING BALL	1				0.19	0.418
080	04612-00250	CIR CLIP EXTERNAL	1				0.002	0.0044
090	04811-10850	O RING	1				0.002	0.0044
100	T1060-36620	O RING	1				0.001	0.0022
110	01754-50840	BOLT FLANGE	2				0.02	0.044
120	01754-50820	BOLT FLANGE	1				0.015	0.033
130	38240-36330	STUD	1				0.008	0.0176
140	02156-50080	NUT	3				0.004	0.0088
150	04512-60080	WASHER SPRING	2				0.002	0.0044
160	01513-60820	STUD	1				0.015	0.033
170	01123-50835	BOLT	1				0.02	0.044
180	TD030-16100	STAY PIPE CLAMP	1			NEW PART	0	0
190	15841-53850	CLAMP PIPE	1			NEW PART	0.01	0.022
200	15841-53860	CLAMP PIPE	1			NEW PART	0.009	0.0198
210	03024-50520	SCREW WITH WASHER	1			NEW PART	0.004	0.0088
220	TD030-16090	COMP.PIPE LUB.OIL	1			NEW PART	0	0
230	32530-10710	BOLT JOINT	2			NEW PART	0.015	0.033
240	15021-33660	GASKET	4			NEW PART	0.001	0.0022
250	99999-99999	MANUAL INSTRUCTION	1			OPTION	0	0
260	TD030-99300	KIT HOLDER LUB.OIL	1			OPTION	0	0

HYDRAULIC PUMP [COMPONENT PARTS]



T1080-126-12



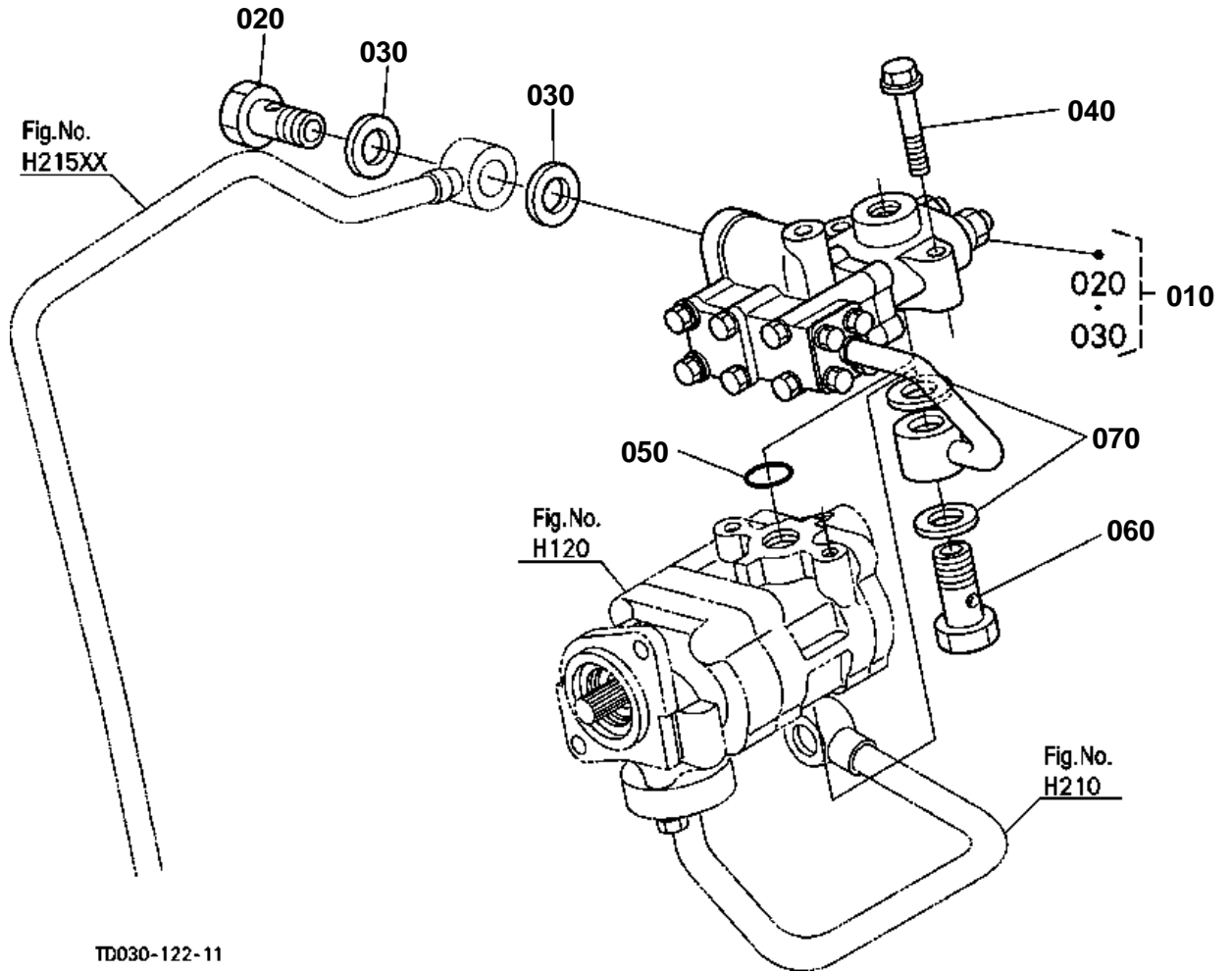


# HYDRAULIC PUMP [COMPONENT PARTS]

↔ Interchangeable; ≠ not interchangeable; ← new for old; → old for new

REF.No	Part No.	Description	Q'ty	S.No.	I/C	REMARKS	Weight (kgf)	Weight (lb)
010	T1150-36403	ASSY PUMP HYDRAULIC	1				2.75	6.05
020	K3511-36762	BUSH	4				0.01	0.022
030	05012-00814	PIN STRAIGHT	2				0.006	0.0132
040	T1060-36450	COMP.GEAR HYD.PUMP	1				0.33	0.726
050	6C140-36350	PLATE SIDE	1				0.05	0.11
060	6C040-36344	RING DOUBLE	1				0.003	0.0066
070	6A100-37232	BUSH	4				0.005	0.011
080	6A100-37430	COUPLING	1				0.01	0.022
090	05012-00814	PIN STRAIGHT	2				0.006	0.0132
100	T1060-36550	COMP.GEAR HYD.PUMP	1				0.2	0.44
110	6C140-36350	PLATE SIDE	1				0.05	0.11
120	6C040-36344	RING DOUBLE	1				0.003	0.0066
130	01754-51090	BOLT FLANGE	4				0.05	0.11
140	31381-76390	SEAL OIL	1				0.01	0.022
150	04611-00300	CIR CLIP INTERNAL	1				0.004	0.0088

REGULATOR VALVE [EXCEPT HST TYPE]



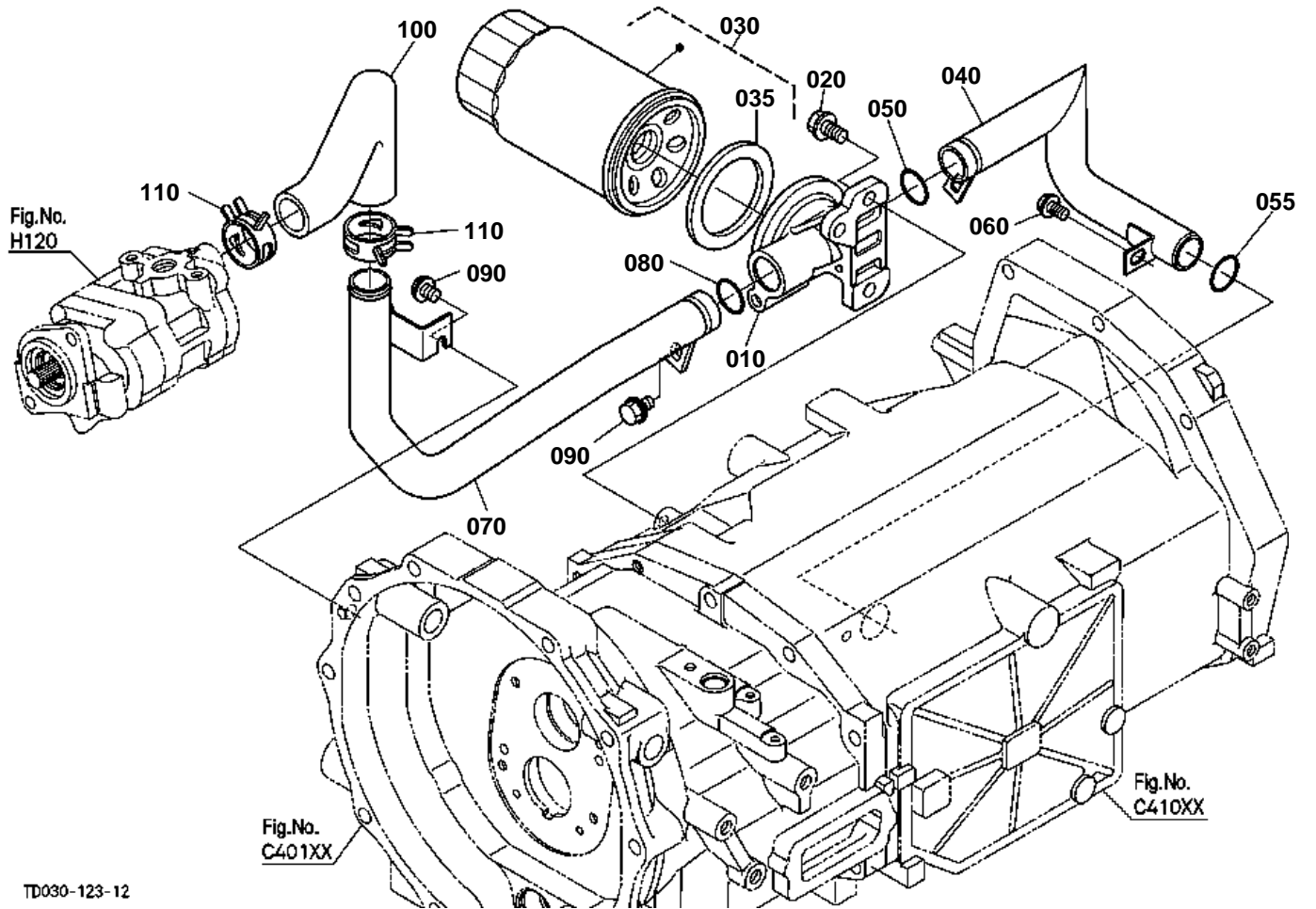


# REGULATOR VALVE [EXCEPT HST TYPE]

↔ Interchangeable; ≠ not interchangeable; ← new for old; → old for new

REF.No	Part No.	Description	Q'ty	S.No.	I/C	REMARKS	Weight (kgf)	Weight (lb)
010	T1170-19050	ASSY VALVE REGULATOR	1				1.65	3.63
020	66591-36250	JOINT	1				0.08	0.176
030	67111-37180	GASKET	2				0.003	0.0066
040	01754-50840	BOLT FLANGE	2				0.02	0.044
050	04817-00200	O RING	1				0.011	0.0242
060	66591-36250	JOINT	1				0.08	0.176
070	67111-37180	GASKET	2				0.003	0.0066

HYDRAULIC OIL LINE(INLET) [EXCEPT HST TYPE]



TD030-123-12

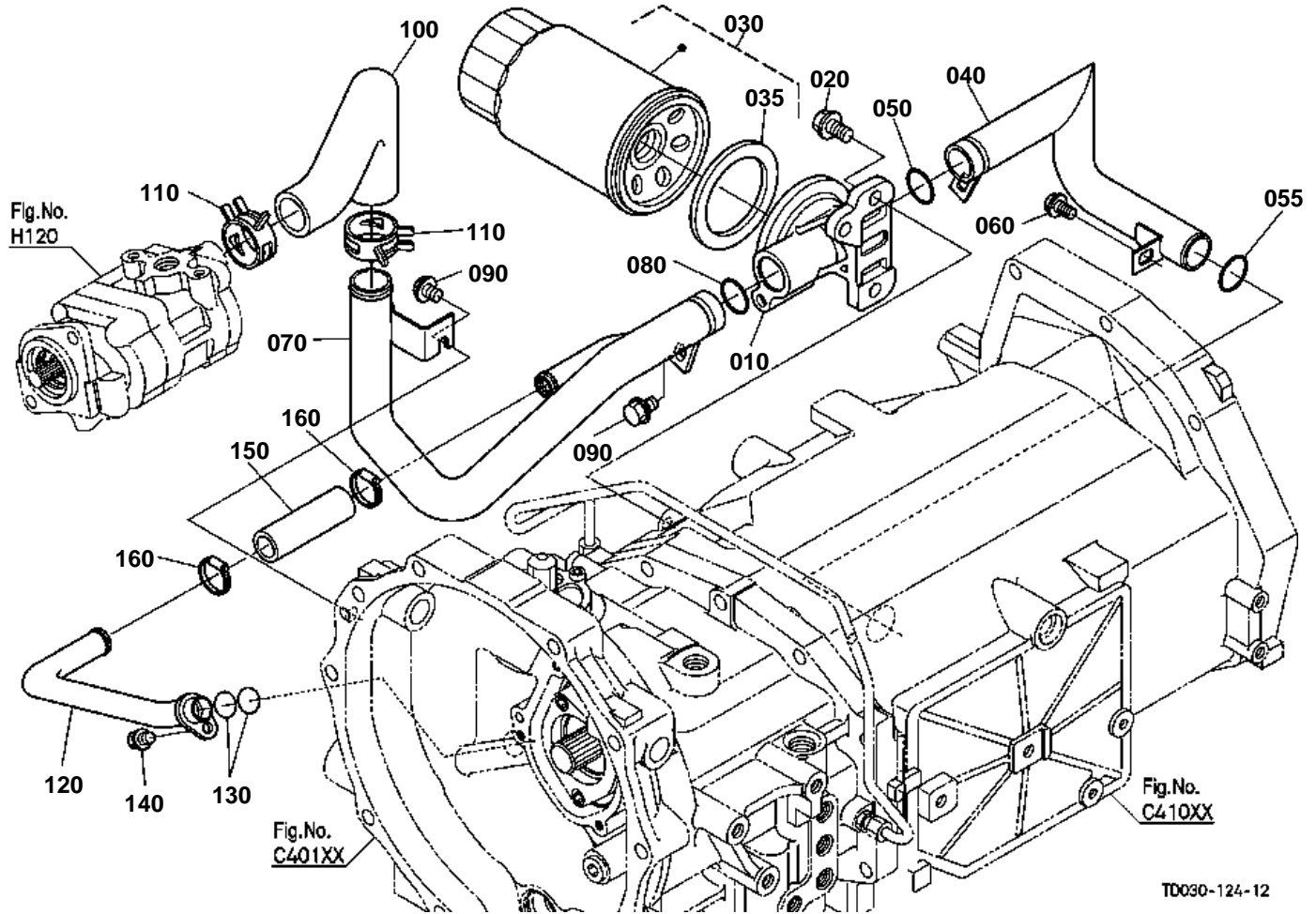


# HYDRAULIC OIL LINE(INLET) [EXCEPT HST TYPE]

↔ Interchangeable; ≠ not interchangeable; ← new for old; → old for new

REF.No	Part No.	Description	Q'ty	S.No.	I/C	REMARKS	Weight (kgf)	Weight (lb)
010	T0070-33215	BRACKET FILTER	1				0.535	1.177
020	01774-61020	BOLT FLANGE	2				0.022	0.0484
030	TA040-37710	ASSY FILTER OIL	1		↔		0.73	1.606
035	T0070-37720	MAGNET OIL FILTER	1				0.04	0.088
040	TD060-33310	PIPE INLET	1				0.24	0.528
050	04816-07230	O RING	1				0.002	0.0044
055	04816-00290	O RING	1				0.003	0.0066
060	01754-50812	BOLT FLANGE	1				0.01	0.022
070	TD030-33320	PIPE INLET	1				0.44	0.968
080	04817-07230	O RING	1				0.005	0.011
090	01754-50816	BOLT FLANGE	2				0.011	0.0242
100	T1060-33340	HOSE INLET	1				0.14	0.308
110	31351-38180	BAND PIPE	2				0.02	0.044
110	16241-72970	BAND PIPE	2		↔		0.015	0.033

HYDRAULIC OIL LINE(INLET) [HST TYPE]



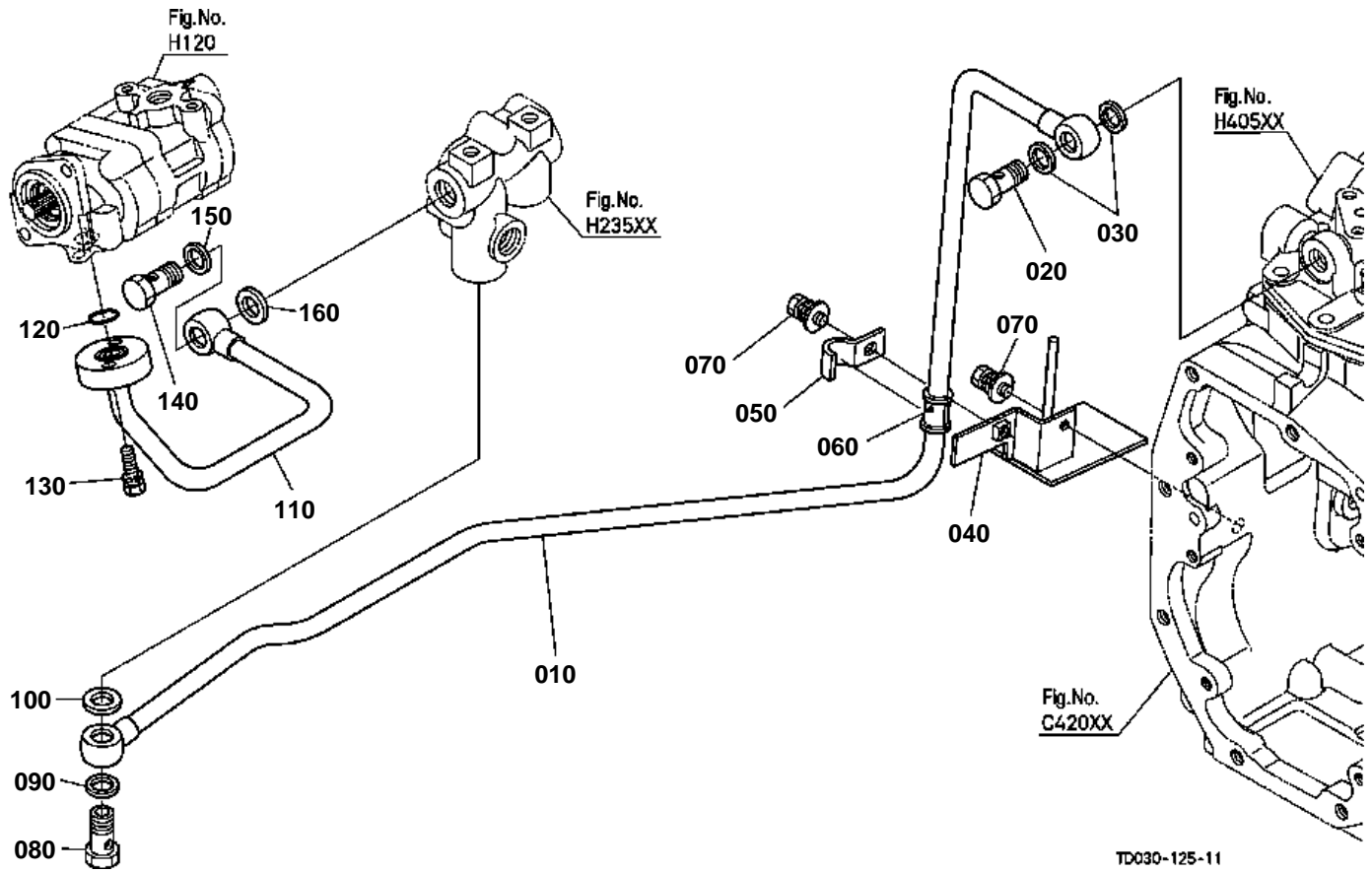


# HYDRAULIC OIL LINE(INLET) [HST TYPE]

↔ Interchangeable; ≠ not interchangeable; ← new for old; → old for new

REF.No	Part No.	Description	Q'ty	S.No.	I/C	REMARKS	Weight (kgf)	Weight (lb)
010	T0070-33215	BRACKET FILTER	1				0.535	1.177
020	01774-61020	BOLT FLANGE	2				0.022	0.0484
030	TA040-37710	ASSY FILTER OIL	1		↔		0.73	1.606
035	T0070-37720	MAGNET OIL FILTER	1				0.04	0.088
040	TD060-33310	PIPE INLET	1				0.24	0.528
050	04816-07230	O RING	1				0.002	0.0044
055	04816-00290	O RING	1				0.003	0.0066
060	01754-50812	BOLT FLANGE	1				0.01	0.022
070	TD030-56320	PIPE INLET	1				0.5	1.1
080	04817-07230	O RING	1				0.005	0.011
090	01754-50816	BOLT FLANGE	2				0.011	0.0242
100	T1060-33340	HOSE INLET	1				0.14	0.308
110	31351-38180	BAND PIPE	2				0.02	0.044
110	16241-72970	BAND PIPE	2		↔		0.015	0.033
120	TD060-56330	PIPE SUCTION HST	1				0.135	0.297
130	04817-00180	O RING	2				0.003	0.0066
140	01754-50812	BOLT FLANGE	1				0.01	0.022
150	TD060-56340	HOSE SUCTION HST	1				0.031	0.0682
160	66204-36280	BAND PIPE	2				0.02	0.044

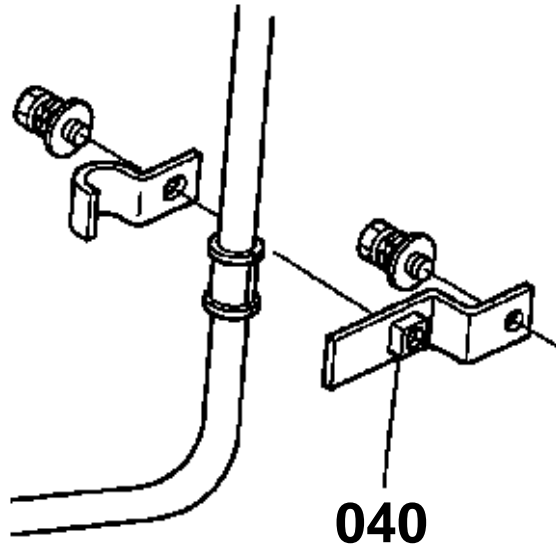
# HYDRAULIC OIL LINE (DELIVERY)



TD030-125-11



# OLD PARTS



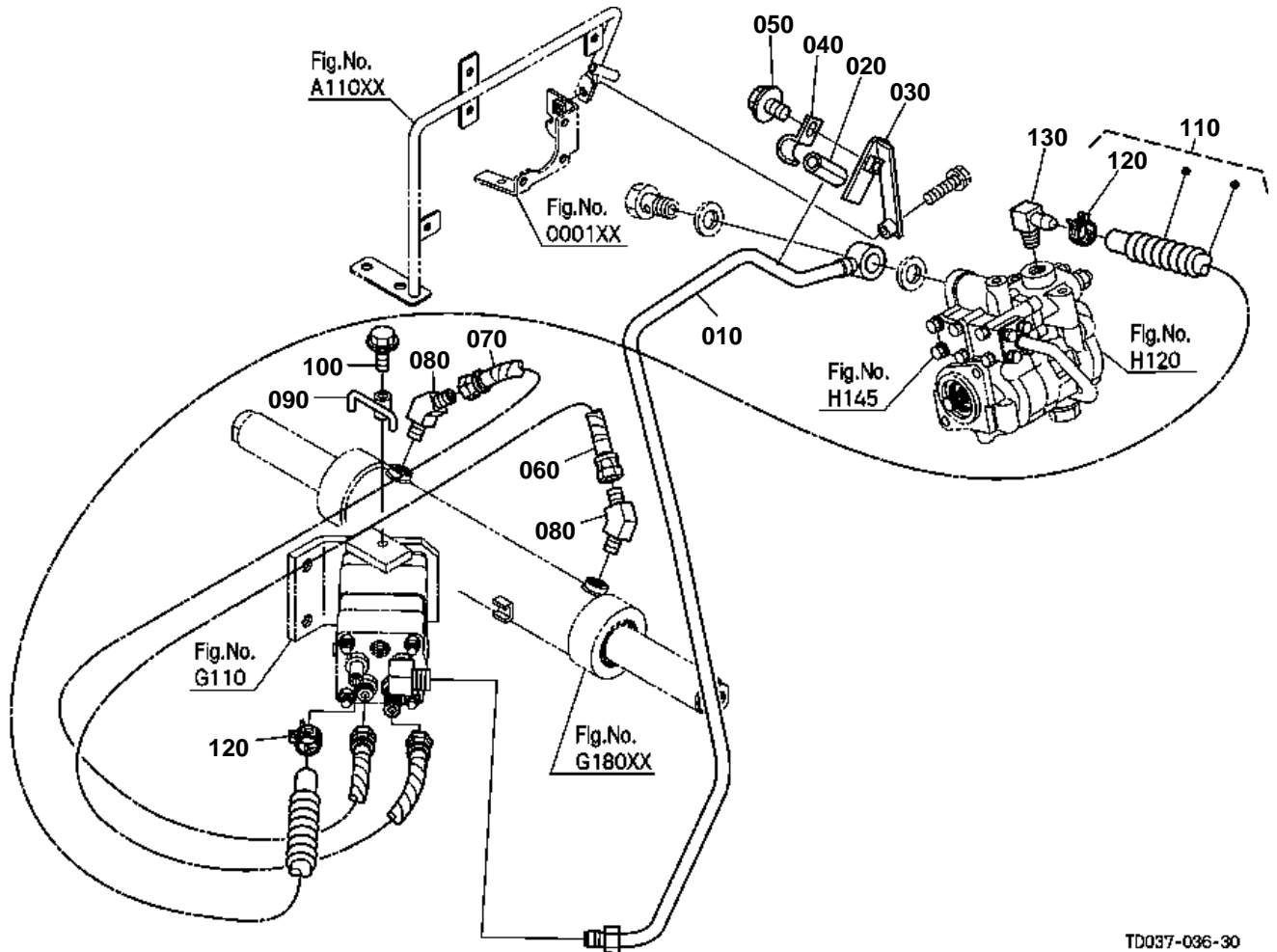
TD060-833-10

**HYDRAULIC OIL LINE (DELIVERY)**

↔ Interchangeable; ≠ not interchangeable; ← new for old; → old for new

REF.No	Part No.	Description	Q'ty	S.No.	I/C	REMARKS	Weight (kgf)	Weight (lb)
010	TD060-33410	COMP.PIPE DELIVERY	1				0.725	1.595
020	66591-36250	JOINT	1				0.08	0.176
030	67111-37180	GASKET	2				0.003	0.0066
040	TD060-33250	STAY CLAMP	1	<=38032			0	0
040	TD060-33252	STAY CLAMP	1	>=38033	←		0.23	0.506
050	T1060-33260	CLAMP	1				0.03	0.066
050	34070-33260	HOLDER	1		↔		0.03	0.066
060	34550-33290	TUBE	1				0.01	0.022
070	01125-60816	BOLT	2				0.01	0.022
080	66591-36250	JOINT	1				0.08	0.176
090	67111-37180	GASKET	1				0.003	0.0066
100	67401-36720	GASKET	1				0.005	0.011
110	TD030-33420	COMP.PIPE DELIVERY	1				0.57	1.254
120	04817-00200	O RING	1				0.011	0.0242
130	01123-50830	BOLT	2				0.015	0.033
140	66591-36250	JOINT	1				0.08	0.176
150	67111-37180	GASKET	1				0.003	0.0066
160	67401-36720	GASKET	1				0.005	0.011

HYDRAULIC OIL LINE (PS) [EXCEPT HST TYPE]



TD037-036-30

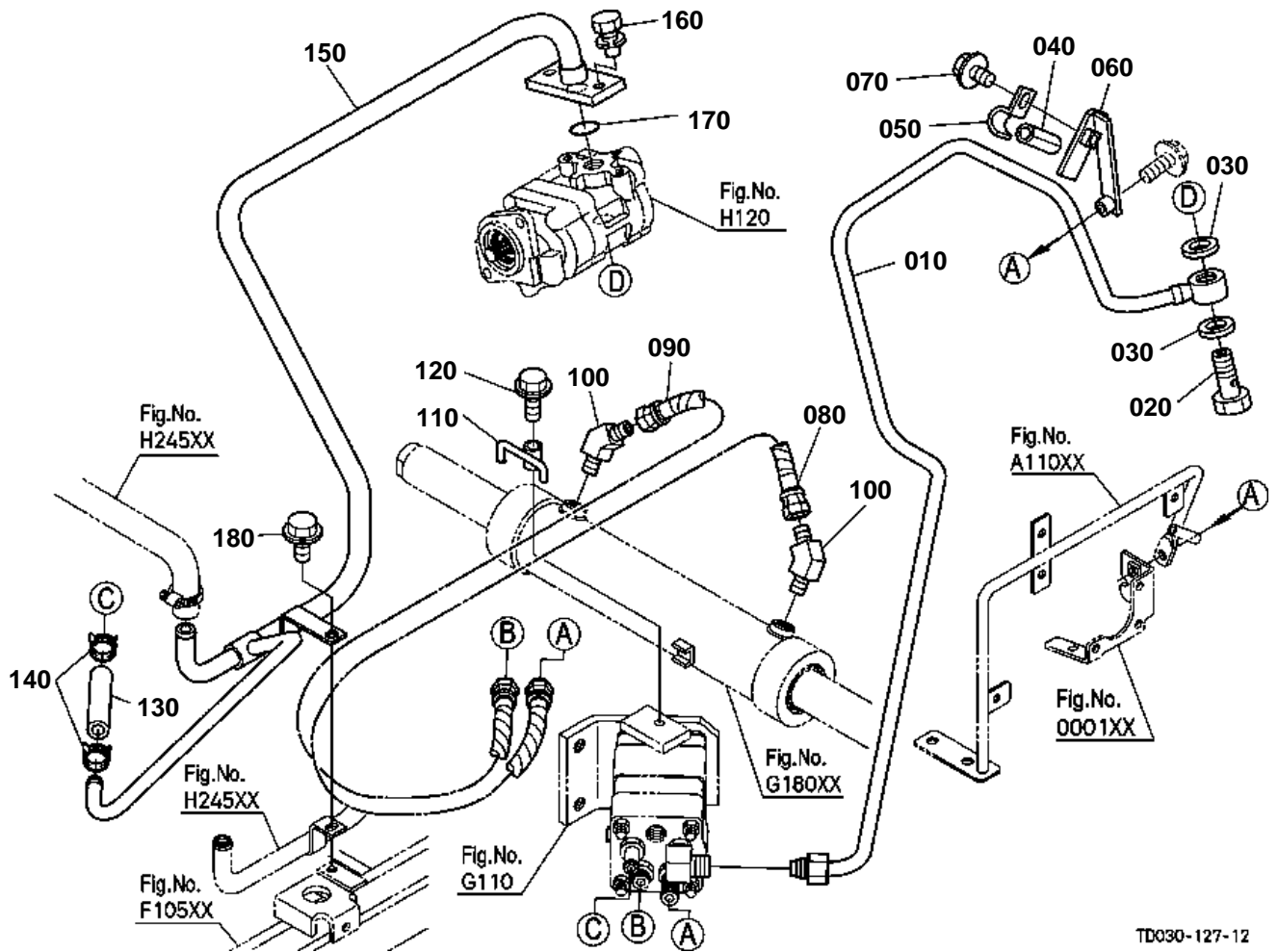


# HYDRAULIC OIL LINE (PS) [EXCEPT HST TYPE]

↔ Interchangeable; ≠ not interchangeable; ← new for old; → old for new

REF.No	Part No.	Description	Q'ty	S.No.	I/C	REMARKS	Weight (kgf)	Weight (lb)
010	TD030-33500	COMP.PIPE DELIVERY	1				0.52	1.144
020	TD060-33590	TUBE PS PIPE	1	≤40495			0.005	0.011
020	TD060-33592	TUBE PS PIPE	1	≥40496	←		0.005	0.011
030	TD030-33582	CLAMP PIPE	1				0.11	0.242
030	TD030-33583	CLAMP PIPE	1		↔		0.11	0.242
040	TD060-33570	CLAMP PIPE	1				0.02	0.044
050	01754-50816	BOLT FLANGE	1				0.011	0.0242
060	TD060-33522	HOSE DELIVERY	1				0.185	0.407
070	TD060-33552	HOSE DELIVERY	1				0.172	0.3784
080	56811-27380	ADAPTER	2				0.04	0.088
090	TD060-33280	HOLDER HOSE	1				0.035	0.077
100	01754-50830	BOLT FLANGE	1				0.05	0.11
110	TD060-33530	ASSY HOSE RETURN	1				0.35	0.77
120	T1060-33630	BAND PIPE	2				0.006	0.0132
130	34070-36910	JOINT	1				0.07	0.154
130	T1270-36910	JOINT	1		↔		0.072	0.1584

HYDRAULIC OIL LINE (PS) [HST TYPE]



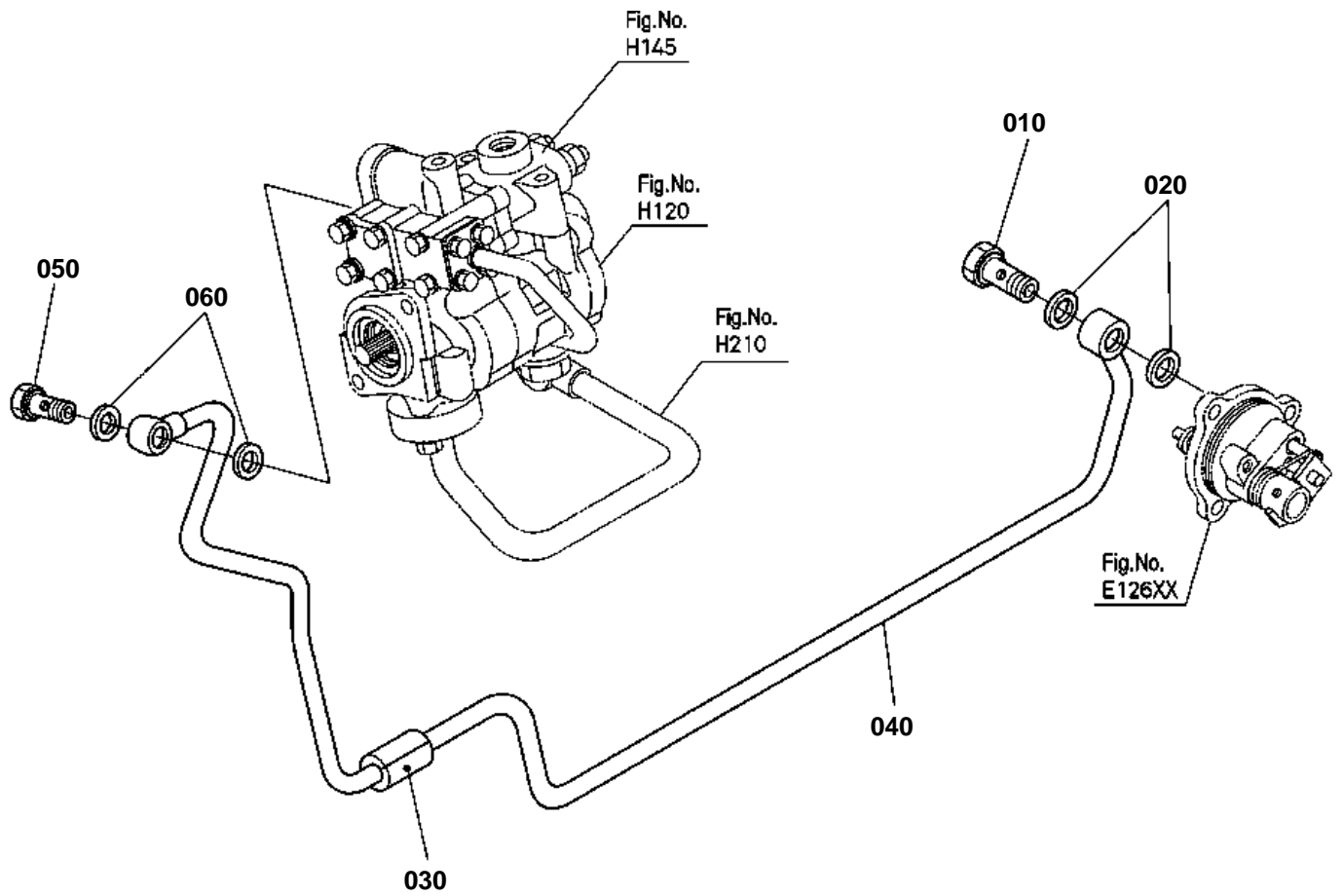
TD030-127-12



## HYDRAULIC OIL LINE (PS) [HST TYPE]

↔ Interchangeable; ≠ not interchangeable; ← new for old; → old for new

REF.No	Part No.	Description	Q'ty	S.No.	I/C	REMARKS	Weight (kgf)	Weight (lb)
010	TD030-56480	COMP.PIPE DELIVERY	1				0.58	1.276
020	66591-36250	JOINT	1				0.08	0.176
030	67111-37180	GASKET	2				0.003	0.0066
040	TD060-33590	TUBE PS PIPE	1	<=40495			0.005	0.011
040	TD060-33592	TUBE PS PIPE	1	>=40496	←		0.005	0.011
050	TD060-33570	CLAMP PIPE	1				0.02	0.044
060	TD030-33582	CLAMP PIPE	1				0.11	0.242
060	TD030-33583	CLAMP PIPE	1		↔		0.11	0.242
070	01754-50816	BOLT FLANGE	1				0.011	0.0242
080	TD060-33522	HOSE DELIVERY	1				0.185	0.407
090	TD060-33552	HOSE DELIVERY	1				0.172	0.3784
100	56811-27380	ADAPTER	2				0.04	0.088
110	TD060-33280	HOLDER HOSE	1				0.035	0.077
120	01754-50830	BOLT FLANGE	1				0.05	0.11
130	TD060-56190	HOSE RETURN	1				0.02	0.044
140	T1060-33630	BAND PIPE	2				0.006	0.0132
150	TD030-56140	PIPE O/C RETURN	1				1.05	2.31
160	01123-50820	BOLT	2				0.011	0.0242
170	04817-00220	O RING	1				0.001	0.0022
180	01754-50816	BOLT FLANGE	1				0.011	0.0242



TD030-128-30



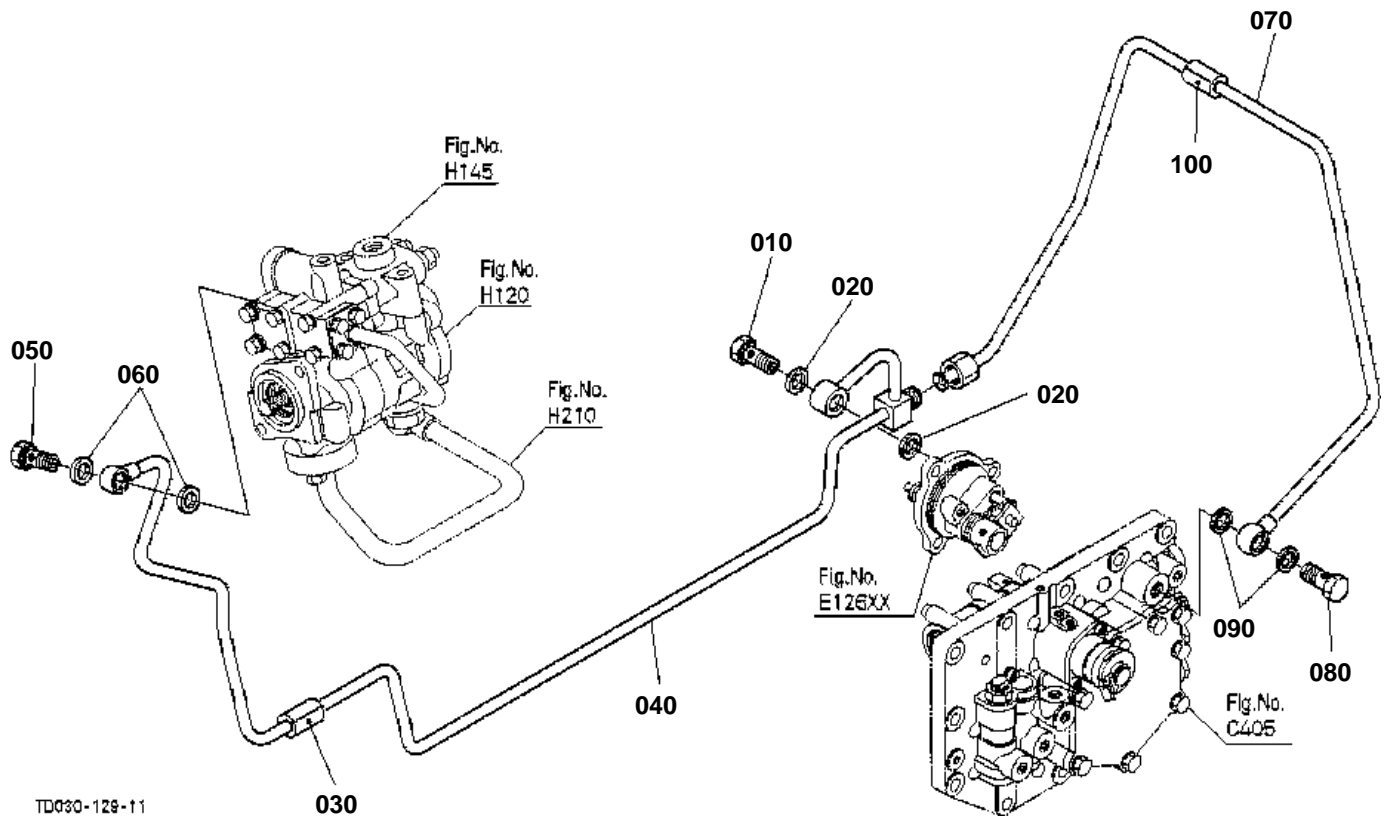
PTO HYDRAULIC OIL LINE [MANUAL T/M TYPE]

↔ Interchangeable; ≠ not interchangeable; ← new for old; → old for new

REF.No	Part No.	Description	Q'ty	S.No.	I/C	REMARKS	Weight (kgf)	Weight (lb)
010	TA040-69402	ASSY BOLT	1				0.045	0.099
020	04714-00200	GASKET	2				0.002	0.0044
030	31351-45270	PIPE RUBBER	1				0.005	0.011
040	TD030-69932	COMP.PIPE I-PTO	1				0.3	0.66
050	34076-66590	BOLT JOINT	1				0.05	0.11
060	04714-00200	GASKET	2				0.002	0.0044



PTO HYDRAULIC OIL LINE [GST TYPE]



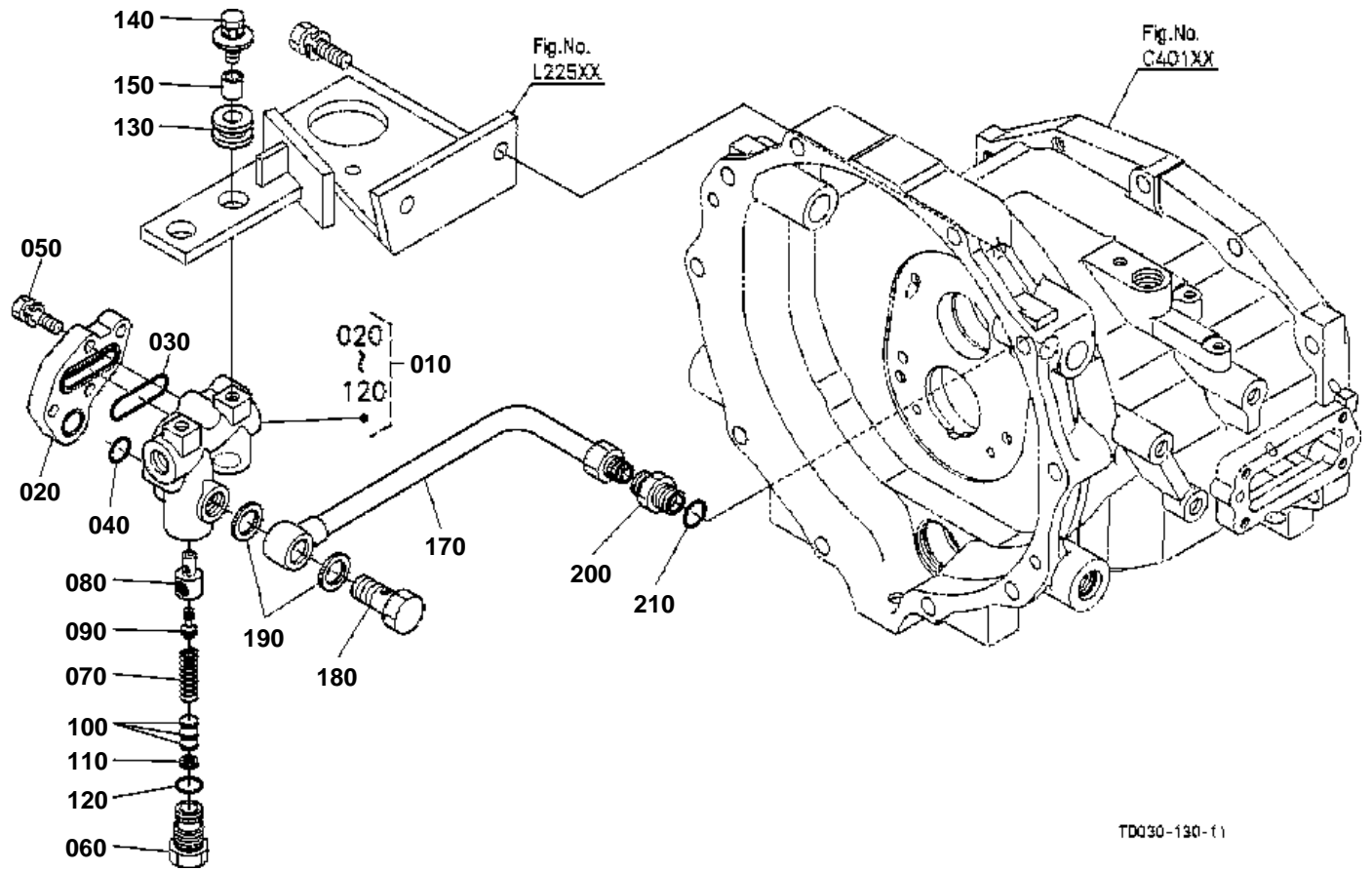


PTO HYDRAULIC OIL LINE [GST TYPE]

↔ Interchangeable; ≠ not interchangeable; ← new for old; → old for new

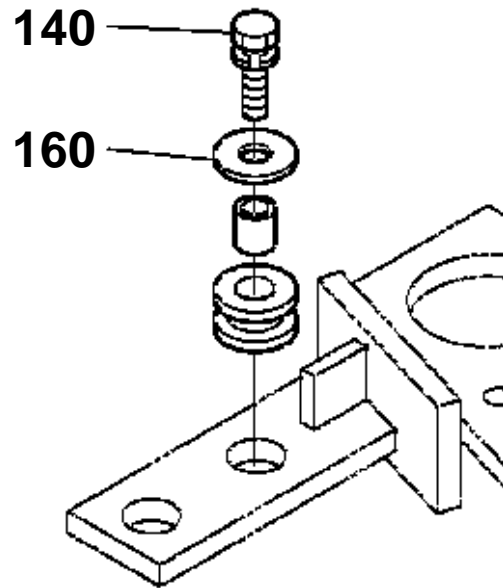
REF.No	Part No.	Description	Q'ty	S.No.	I/C	REMARKS	Weight (kgf)	Weight (lb)
010	TA040-69402	ASSY BOLT	1				0.045	0.099
020	04714-00200	GASKET	2				0.002	0.0044
030	TD060-66710	TUBE GST PIPE	1				0.008	0.0176
040	TD030-69952	COMP.PIPE I-PTO	1				0.37	0.814
050	34076-66590	BOLT JOINT	1				0.05	0.11
060	04714-00200	GASKET	2				0.002	0.0044
070	TD060-66570	COMP.PIPE GST	1				0.02	0.044
080	34076-66590	BOLT JOINT	1				0.05	0.11
090	04714-00200	GASKET	2				0.002	0.0044
100	TD060-66710	TUBE GST PIPE	1				0.008	0.0176

HYDRAULIC OUTLET BLOCK [EXCEPT HST TYPE]



TD030-130-11

# OLD PARTS



TD030-859-10

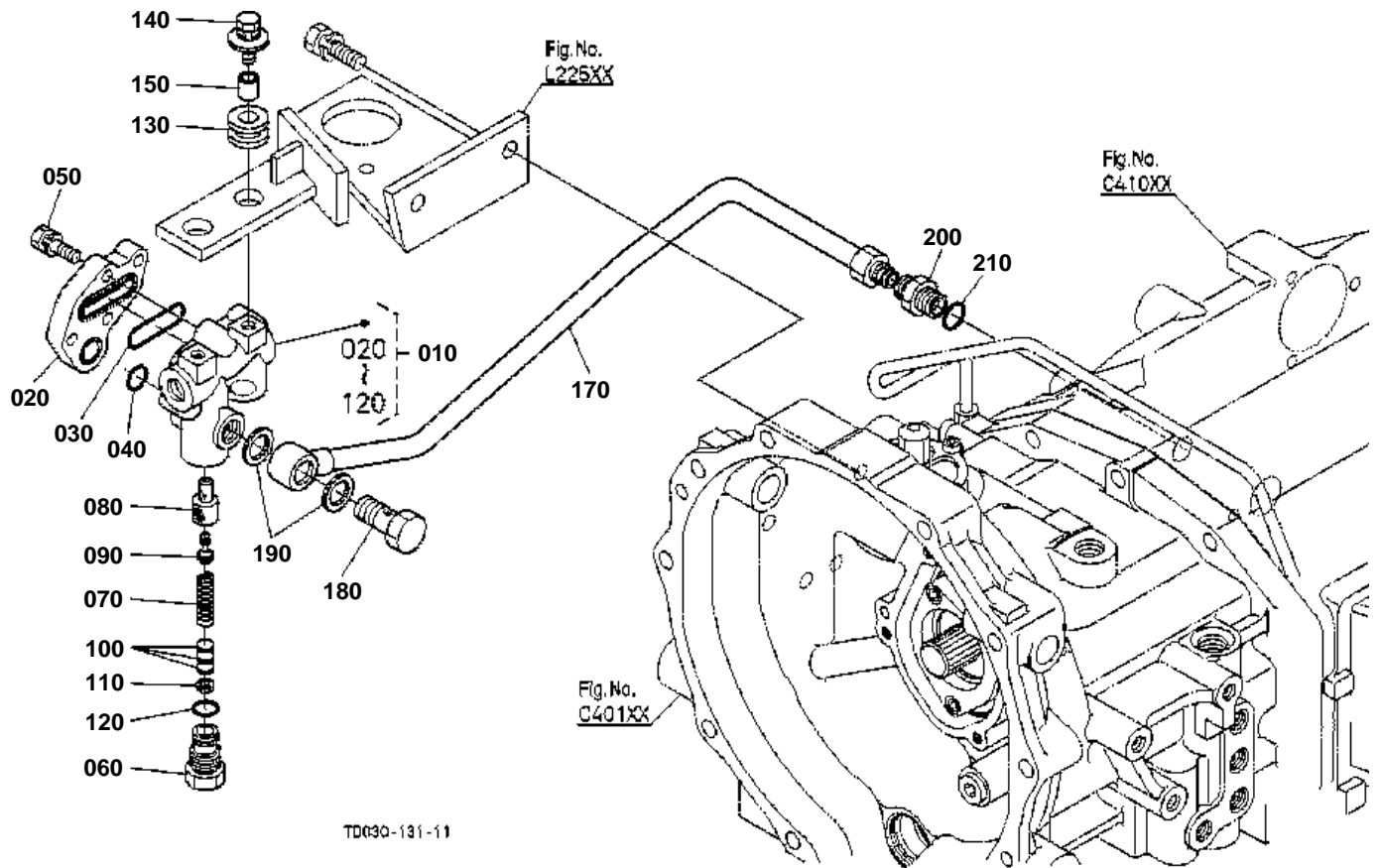


HYDRAULIC OUTLET BLOCK [EXCEPT HST TYPE]

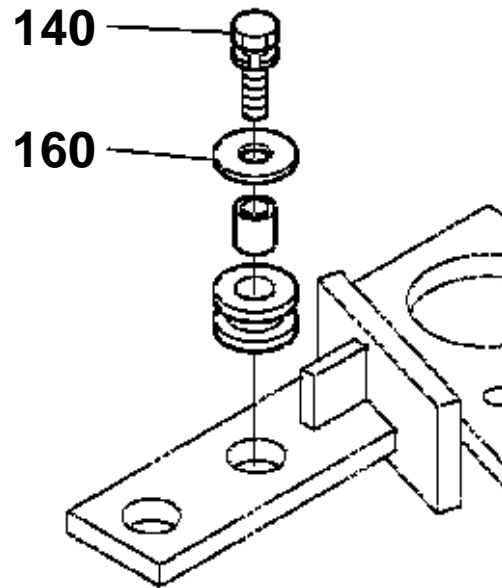
↔ Interchangeable; ≠ not interchangeable; ← new for old; → old for new

REF.No	Part No.	Description	Q'ty	S.No.	I/C	REMARKS	Weight (kgf)	Weight (lb)
010	TD060-37500	ASSY BLOCK FRONT HYD	1				1.245	2.739
020	TD060-37610	CAP HYD.BLOCK	1				0.14	0.308
030	04817-06400	O RING	1				0.003	0.0066
040	04817-05170	O RING	1				0.002	0.0044
050	01123-50828	BOLT	4				0.014	0.0308
060	31351-37910	PLUG	1				0.06	0.132
070	31351-37920	SPRING RELIEF	1				0.02	0.044
080	31351-37930	SEAT RELIEF VALVE	1				0.02	0.044
090	31351-37940	POPPET	1				0.005	0.011
100	31351-37950	SHIM	5			0.4mm	0.001	0.0022
100	31351-37960	SHIM	2			0.2mm	0.001	0.0022
100	31351-37970	SHIM	2			0.1mm	0.001	0.0022
110	04013-60050	WASHER PLAIN	2				0.001	0.0022
120	04811-10160	O RING	1				0.001	0.0022
130	TA040-37590	CUSHION	2				0.006	0.0132
140	01123-50830	BOLT	2	<=46711			0.015	0.033
140	01127-50830	BOLT	2	>=46712	←		0.023	0.0506
150	TA040-37600	COLLAR	2				0.009	0.0198
150	35999-02550	COLLAR	2				0.01	0.022
160	04015-60080	WASHER PLAIN	2	<=46711	↔		0.01	0.022
170	TD060-37550	COMP.PIPE RETURN	1				0.265	0.583
180	66591-36250	JOINT	1				0.08	0.176
190	67111-37180	GASKET	2				0.003	0.0066
200	06012-51533	JOINT PIPE	1				0.066	0.1452
210	04817-00140	O RING	1				0.001	0.0022

HYDRAULIC OUTLET BLOCK [HST TYPE] [ROPS TYPE]



## OLD PARTS



TD030-859-10

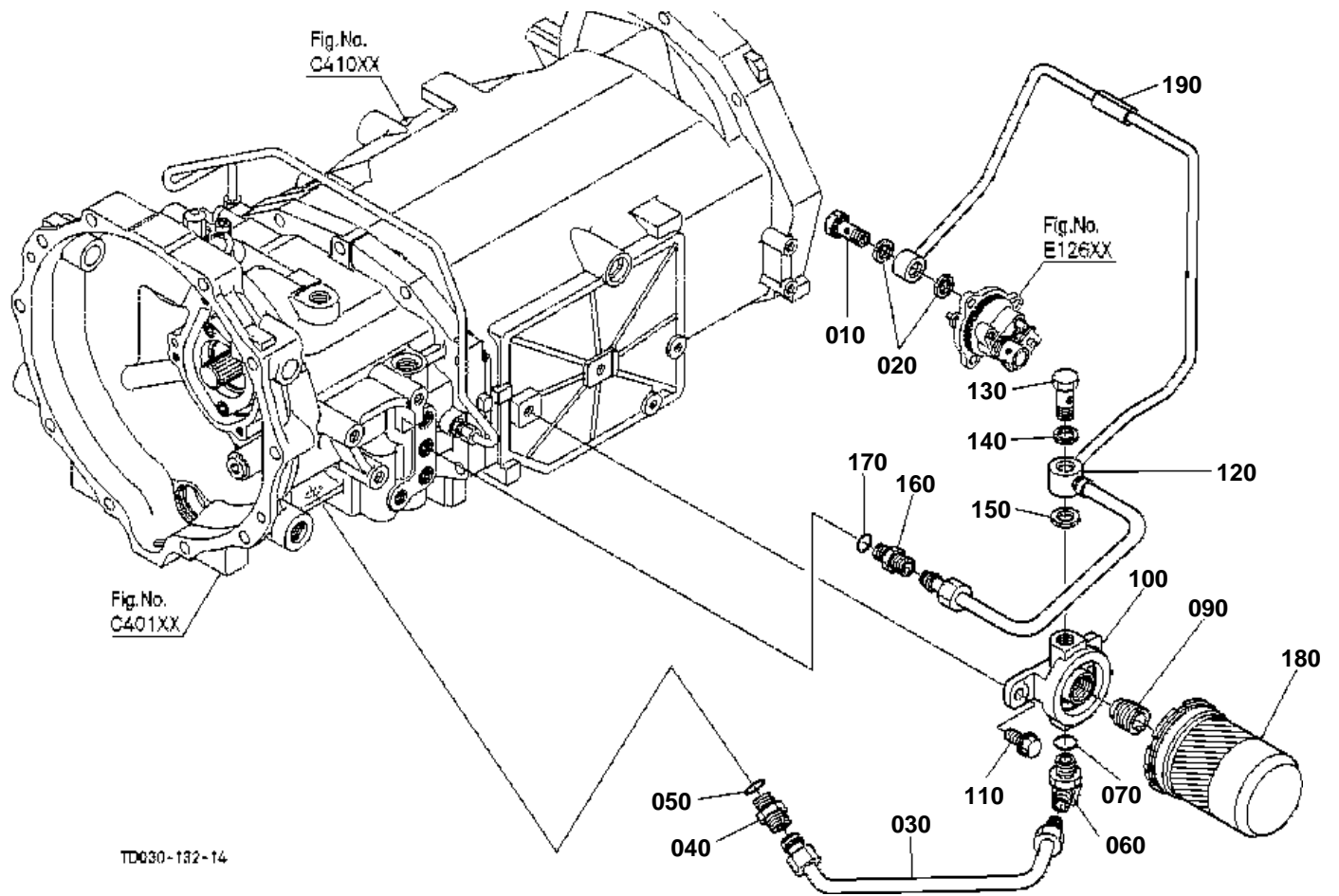


HYDRAULIC OUTLET BLOCK [HST TYPE] [ROPS TYPE]

↔ Interchangeable; ≠ not interchangeable; ← new for old; → old for new

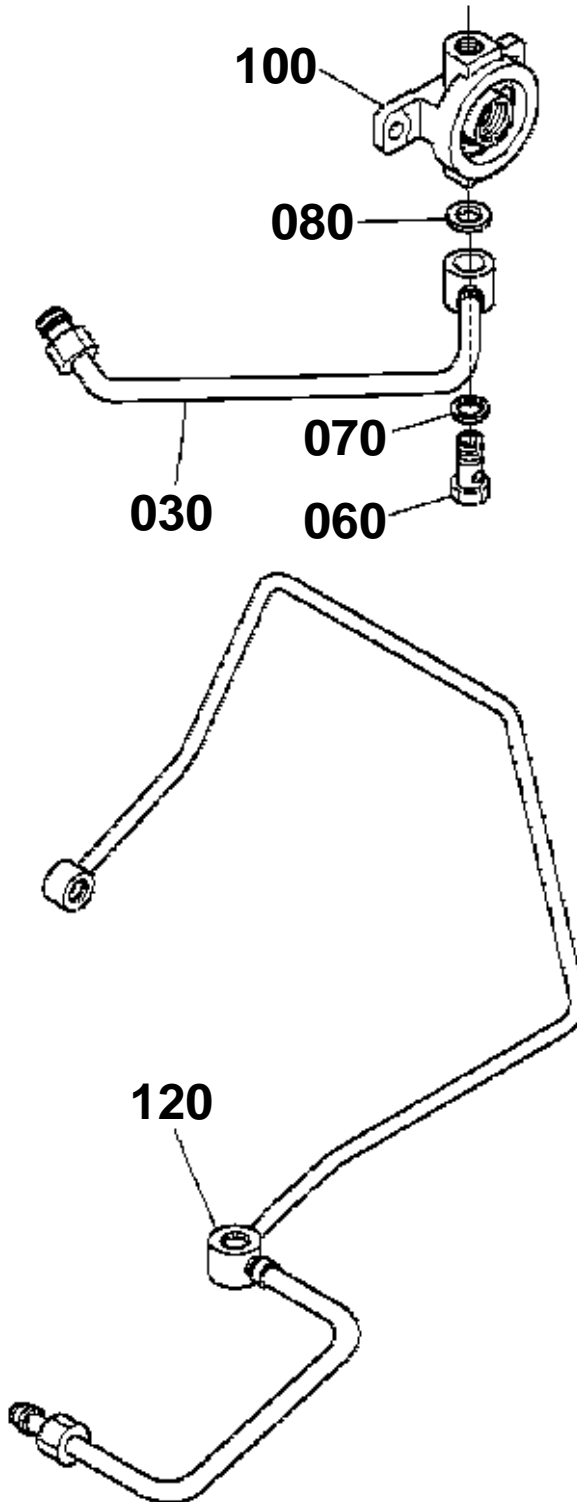
REF.No	Part No.	Description	Q'ty	S.No.	I/C	REMARKS	Weight (kgf)	Weight (lb)
010	TD060-37500	ASSY BLOCK FRONT HYD	1				1.245	2.739
020	TD060-37610	CAP HYD.BLOCK	1				0.14	0.308
030	04817-06400	O RING	1				0.003	0.0066
040	04817-05170	O RING	1				0.002	0.0044
050	01123-50828	BOLT	4				0.014	0.0308
060	31351-37910	PLUG	1				0.06	0.132
070	31351-37920	SPRING RELIEF	1				0.02	0.044
080	31351-37930	SEAT RELIEF VALVE	1				0.02	0.044
090	31351-37940	POPPET	1				0.005	0.011
100	31351-37950	SHIM	5			0.4mm	0.001	0.0022
100	31351-37960	SHIM	2			0.2mm	0.001	0.0022
100	31351-37970	SHIM	2			0.1mm	0.001	0.0022
110	04013-60050	WASHER PLAIN	2				0.001	0.0022
120	04811-10160	O RING	1				0.001	0.0022
130	TA040-37590	CUSHION	2				0.006	0.0132
140	01123-50830	BOLT	2	<=46711			0.015	0.033
140	01127-50830	BOLT	2	>=46712	←		0.023	0.0506
150	TA040-37600	COLLAR	2				0.009	0.0198
150	35999-02550	COLLAR	2				0.01	0.022
160	04015-60080	WASHER PLAIN	2	<=46711	↔		0.01	0.022
170	TD060-56460	COMP.PIPE RETURN	1				0.415	0.913
180	66591-36250	JOINT	1				0.08	0.176
190	67111-37180	GASKET	2				0.003	0.0066
200	06012-51533	JOINT PIPE	1				0.066	0.1452
210	04817-00140	O RING	1				0.001	0.0022





TD030-132-14

# OLD PARTS



TD030-801-11

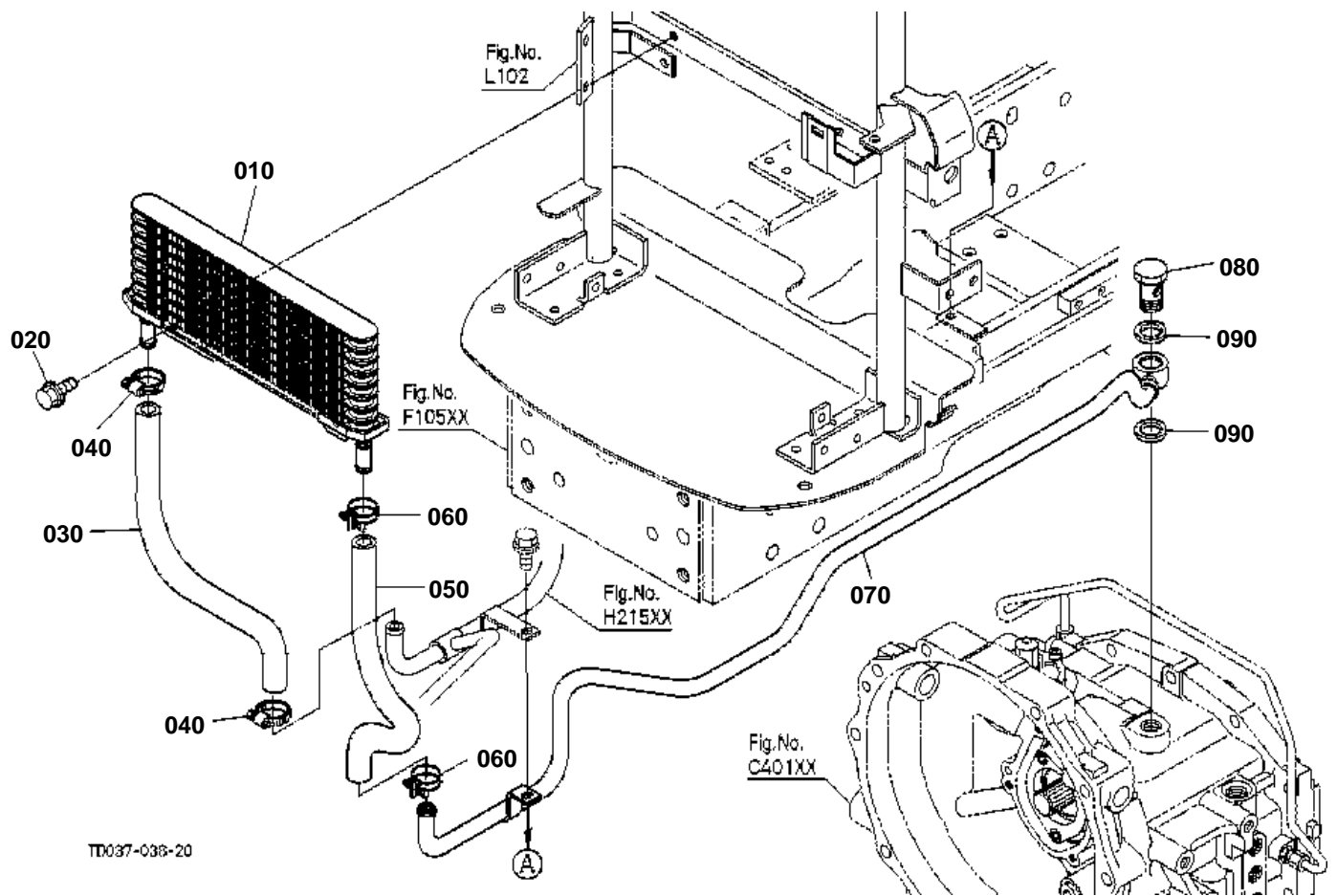
**HYDRAULIC PIPE(HST) [HST TYPE]**

NOTE:ORDER BY REF.No.030,060,070,100,120 and 130 NEW PART.

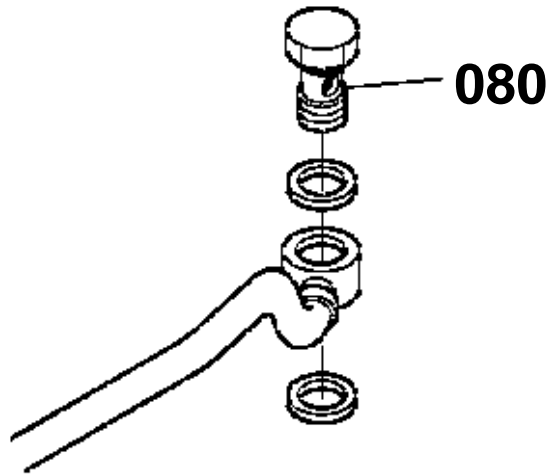
↔ Interchangeable; ≠ not interchangeable; ← new for old; → old for new

REF.No	Part No.	Description	Q'ty	S.No.	I/C	REMARKS	Weight (kgf)	Weight (lb)
010	TA040-69402	ASSY BOLT	1				0.045	0.099
020	04714-00200	GASKET	2				0.002	0.0044
030	TD060-56122	PIPE FILTER HST	1	<=30115		NOT SALE SEE NOTE	0.285	0.627
030	TD060-56123	PIPE FILTER HST	1	>=30116	≠		0.285	0.627
040	06012-51533	JOINT PIPE	1				0.066	0.1452
050	04817-00140	O RING	1				0.001	0.0022
060	66591-36250	JOINT	1	<=30115			0.08	0.176
060	06015-51533	JOINT	1	>=30116	≠		0.15	0.33
070	67111-37180	GASKET	1	<=30115			0.003	0.0066
070	04817-00140	O RING	1	>=30116	≠		0.001	0.0022
080	67401-36720	GASKET	1	<=30115			0.005	0.011
090	58700-11530	ADAPTER	1				0.063	0.1386
100	TD060-56100	BRACKET FILTER	1	<=30115			0.35	0.77
100	TD060-56103	BRACKET FILTER	1	>=30116	≠		0.35	0.77
110	01774-61020	BOLT FLANGE	2				0.022	0.0484
120	TD060-56113	COMP.PIPE HST	1	<=30115			0.76	1.672
120	TD060-56114	COMP.PIPE HST	1	>=30116	≠		0	0
120	TD060-56115	COMP.PIPE HST	1	>=38914	←		0.76	1.672
130	66591-36250	JOINT	1	<=30115			0.08	0.176
130	TD060-56450	JOINT	1	>=30116	≠		0.085	0.187
140	67111-37180	GASKET	1				0.003	0.0066
150	67401-36720	GASKET	1				0.005	0.011
160	06012-51533	JOINT PIPE	1				0.066	0.1452
170	04817-00140	O RING	1				0.001	0.0022
180	TA240-59900	FILTER OIL	1				0.955	2.101
190	TD060-66710	TUBE GST PIPE	1				0.008	0.0176

OIL COOLER [HST TYPE] [ROPS TYPE]



# OLD PARTS



TD060-849-10

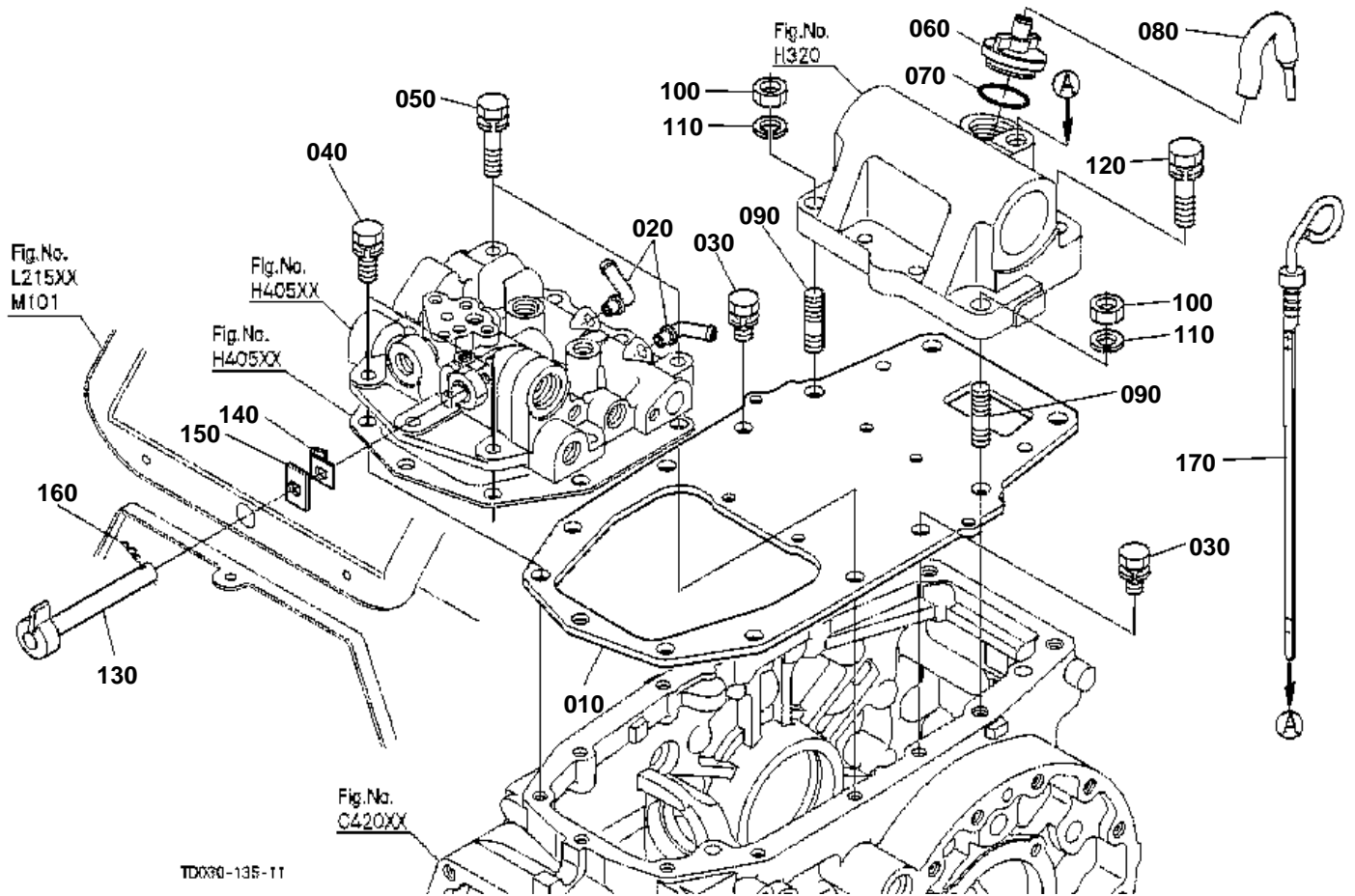


# OIL COOLER [HST TYPE] [ROPS TYPE]

↔ Interchangeable; ≠ not interchangeable; ← new for old; → old for new

REF.No	Part No.	Description	Q'ty	S.No.	I/C	REMARKS	Weight (kgf)	Weight (lb)
010	TA240-55370	COOLER OIL	1				0.72	1.584
020	01754-50816	BOLT FLANGE	2				0.011	0.0242
030	TD060-56172	HOSE O/C OUTLET	1				0.108	0.2376
040	66204-36280	BAND PIPE	2				0.02	0.044
050	TD060-56152	HOSE O/C INLET	1				0.105	0.231
060	09318-89024	CLAMP HOSE	2				0.02	0.044
070	TD030-56132	PIPE HST RETURN	1				0.755	1.661
080	32170-38170	BOLT HYD.PIPE JOINT	1	<=46711			0.09	0.198
080	TD060-56210	BOLT JOINT	1	>=46712	←		0	0
090	04714-00400	GASKET	2				0.003	0.0066

TRANSMISSION CASE COVER



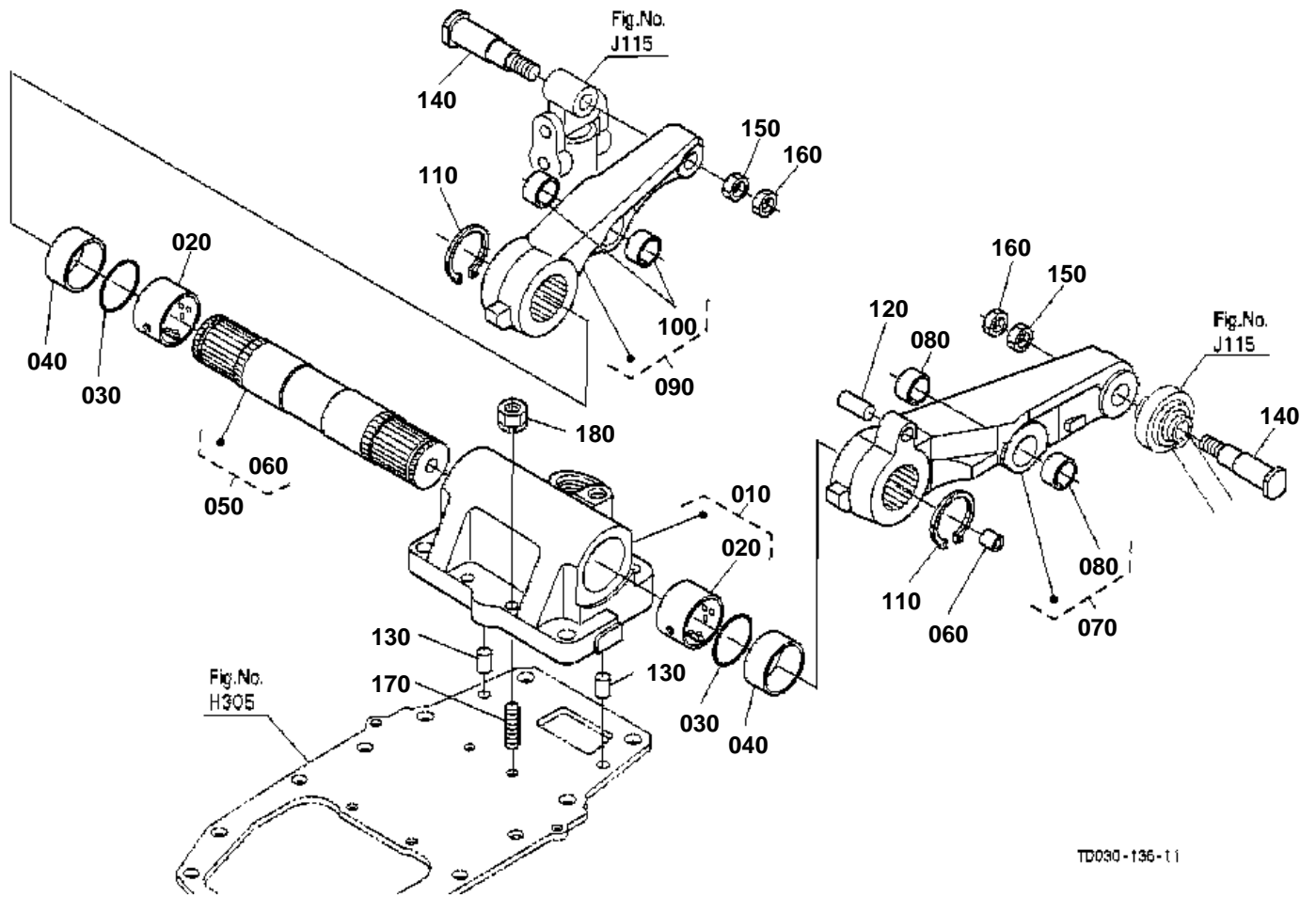
**TRANSMISSION CASE COVER**

↔ Interchangeable; ≠ not interchangeable; ← new for old; → old for new

REF.No	Part No.	Description	Q'ty	S.No.	I/C	REMARKS	Weight (kgf)	Weight (lb)
010	TD060-34110	COVER T/M CASE	1				2	4.4
020	T1062-34370	JOINT	2				0.013	0.0286
030	01133-51020	BOLT	2				0.02	0.044
040	01133-51030	BOLT	5				0.025	0.055
050	01133-51050	BOLT	2				0.035	0.077
060	38180-21410	PLUG	1				0.02	0.044
070	04811-50300	O RING	1				0	0
070	04816-50300	O RING	1		←		0.001	0.0022
080	38180-37140	BREATHER	1				0.01	0.022
090	01574-51245	STUD	2				0.051	0.1122
100	02176-50120	NUT	2				0.01	0.022
110	04512-60120	WASHER SPRING	2				0.005	0.011
120	01133-51255	BOLT	2				0.06	0.132
130	TD060-34650	LEVER LOWERRING LOCK	1				0.05	0.11
140	T1060-34660	SPRING	1				0.005	0.011
150	T1060-34670	STOPPER	1				0.014	0.0308
160	05525-61000	PIN SNAP	1				0.002	0.0044
170	TD060-20740	GAUGE OIL	1				0.035	0.077

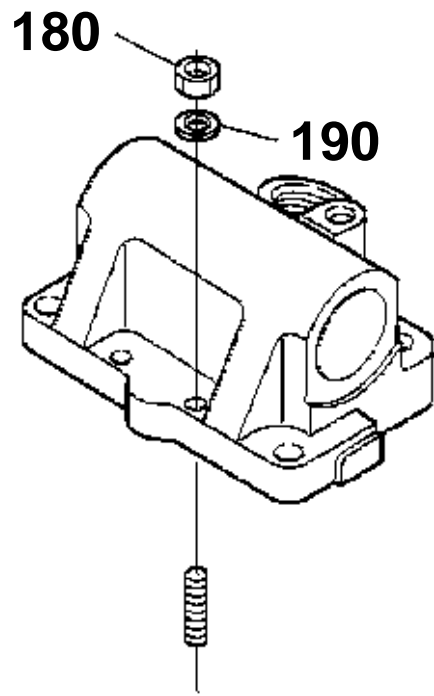


# LIFT ARM



TD030-136-11

# OLD PARTS



TD052-809-10

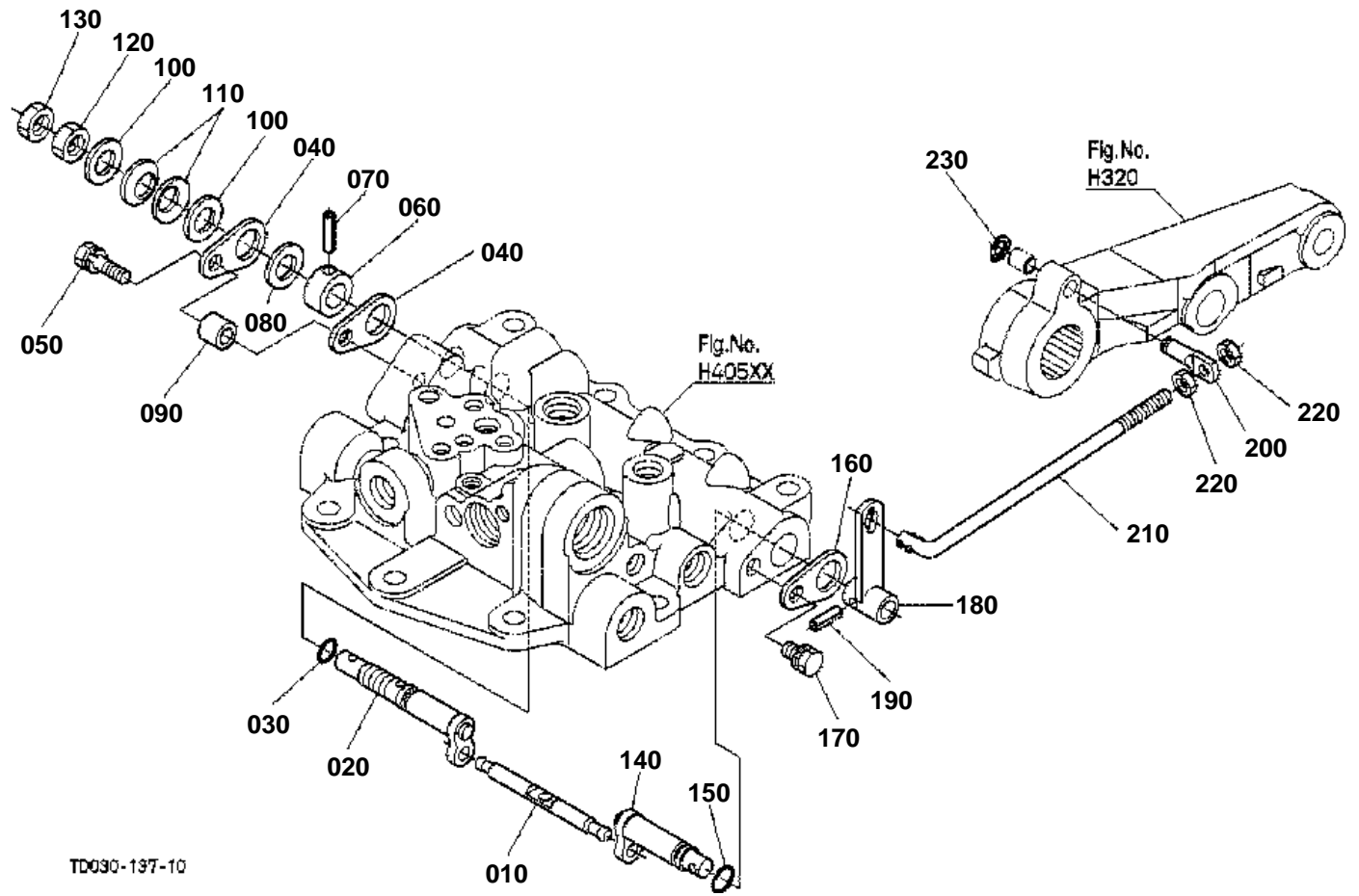


LIFT ARM

↔ Interchangeable; ≠ not interchangeable; ← new for old; → old for new

REF.No	Part No.	Description	Q'ty	S.No.	I/C	REMARKS	Weight (kgf)	Weight (lb)
010	TD060-34150	ASSY SUPPORT ARM	1				6	13.2
020	T1060-34280	BUSH	2				0.071	0.1562
030	04816-50450	O RING	2				0.001	0.0022
040	34150-37480	COLLAR	2				0.005	0.011
050	T1060-34250	COMP.SHAFT ARM	1				3.25	7.15
060	67156-38220	PIECE GUIDE	1				0.003	0.0066
070	T1060-34160	ASSY ARM LIFT LH	1				3.5	7.7
080	T1060-34270	BUSH	2				0.011	0.0242
090	T1060-34170	ASSY ARM LIFT RH	1				3.5	7.7
100	T1060-34270	BUSH	2				0.011	0.0242
110	04612-00450	CIR CLIP EXTERNAL	2				0.007	0.0154
120	08511-01020	BUSH	1				0.005	0.011
130	05012-00814	PIN STRAIGHT	2				0.006	0.0132
140	T1060-39390	PIN LIFT ARM	2				0.17	0.374
150	02076-50120	NUT	2				0.015	0.033
160	02072-50120	NUT	2				0.011	0.0242
170	01513-50840	BOLT STUD	2				0.02	0.044
180	02114-50080	NUT	2	<=44980			0.005	0.011
180	16429-92010	NUT	2	>=44981	←		0.007	0.0154
190	04512-60080	WASHER SPRING	2	<=44980			0.002	0.0044

# FEED BACK LEVER



TD030-137-10

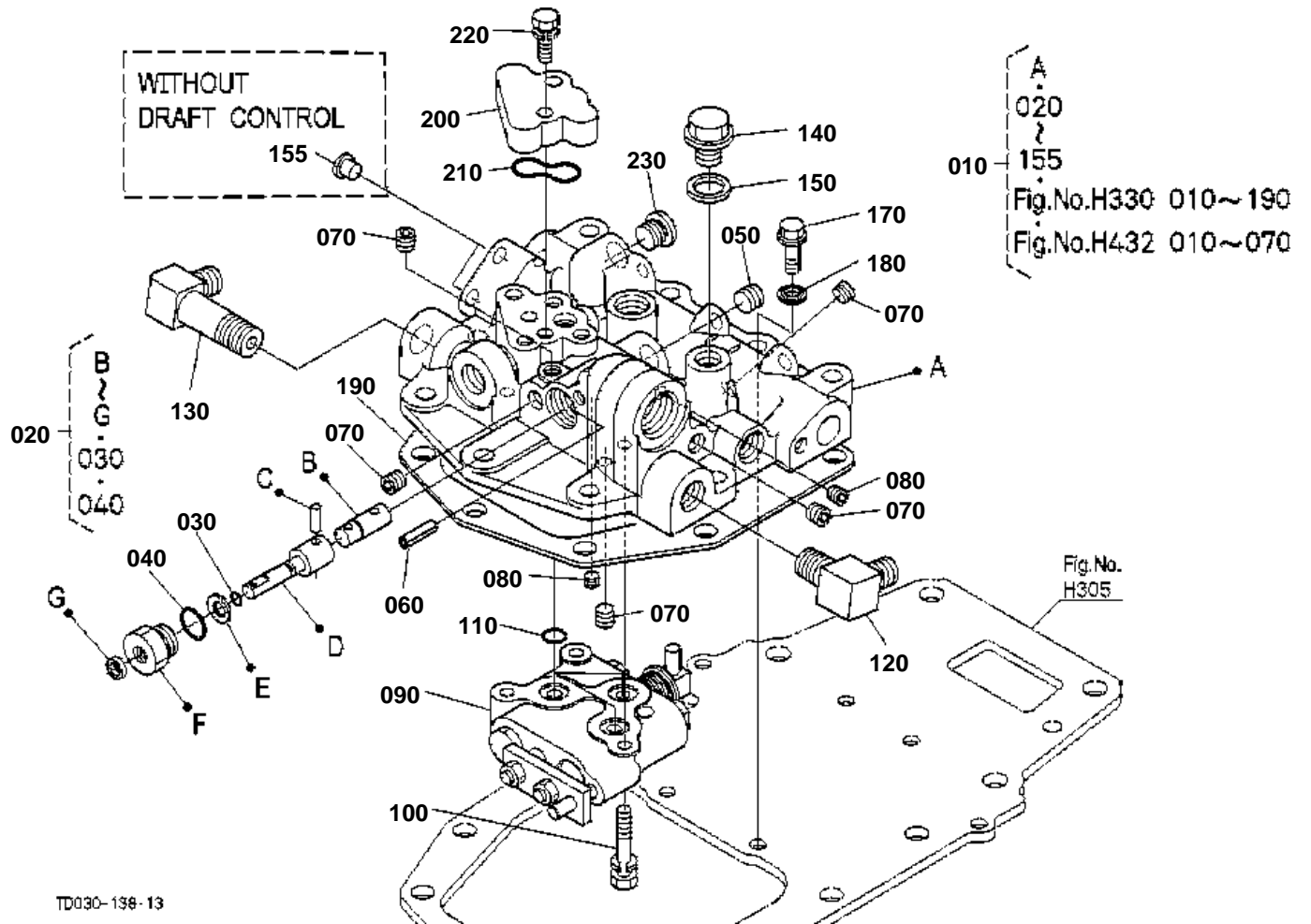


# FEED BACK LEVER

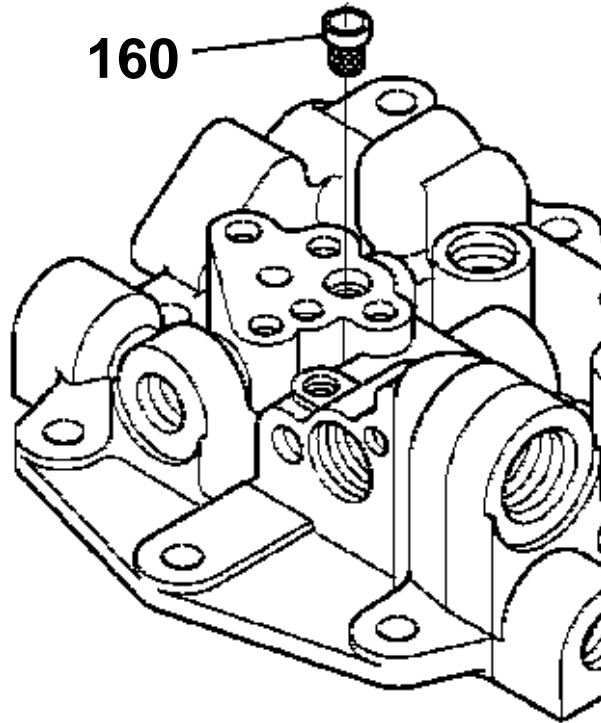
↔ Interchangeable; ≠ not interchangeable; ← new for old; → old for new

REF.No	Part No.	Description	Q'ty	S.No.	I/C	REMARKS	Weight (kgf)	Weight (lb)
010	31351-37640	LEVER SPOOL DRIVE	1				0.05	0.11
020	TD060-37650	SHAFT CONTROL ARM	1				0.195	0.429
030	04816-00140	O RING	1				0.002	0.0044
040	31351-37660	SET PLATE	2				0.01	0.022
050	01123-50830	BOLT	1				0.015	0.033
060	TA140-36900	SPACER	1				0.031	0.0682
070	05411-00528	PIN SPRING	1				0.003	0.0066
080	TA140-36920	PLATE FRICTION	1				0.002	0.0044
090	TA140-36930	SPACER	1				0.014	0.0308
100	04013-60140	WASHER PLAIN	2				0.01	0.022
110	34260-36880	SPRING PLATE	2				0.006	0.0132
120	02174-50140	NUT	1				0.014	0.0308
130	02172-50140	NUT	1				0.01	0.022
140	T1060-37750	SHAFT FEED BACK LEV.	1				0.12	0.264
150	04816-00120	O RING	1				0.001	0.0022
160	38240-36890	SET PLATE	1				0.013	0.0286
170	01123-60816	BOLT	1				0.01	0.022
180	TD060-36030	LEVER FEED BACK	1	≤=41855			0.125	0.275
180	TD060-36032	LEVER FEED BACK	1	≥=41856	←		0.125	0.275
190	05411-00525	PIN SPRING	1				0.002	0.0044
200	T1060-36040	PIN FEED BACK	1				0.025	0.055
210	TD060-36050	ROD FEED BACK	1				0.1	0.22
220	02114-50080	NUT	2				0.005	0.011
230	04612-00100	CIR CLIP EXTERNAL	1				0.001	0.0022

CONTROL VALVE (W/O REMOTE CONTROL VALVE) [OLD TYPE]



## OLD PARTS



TD020-806-10



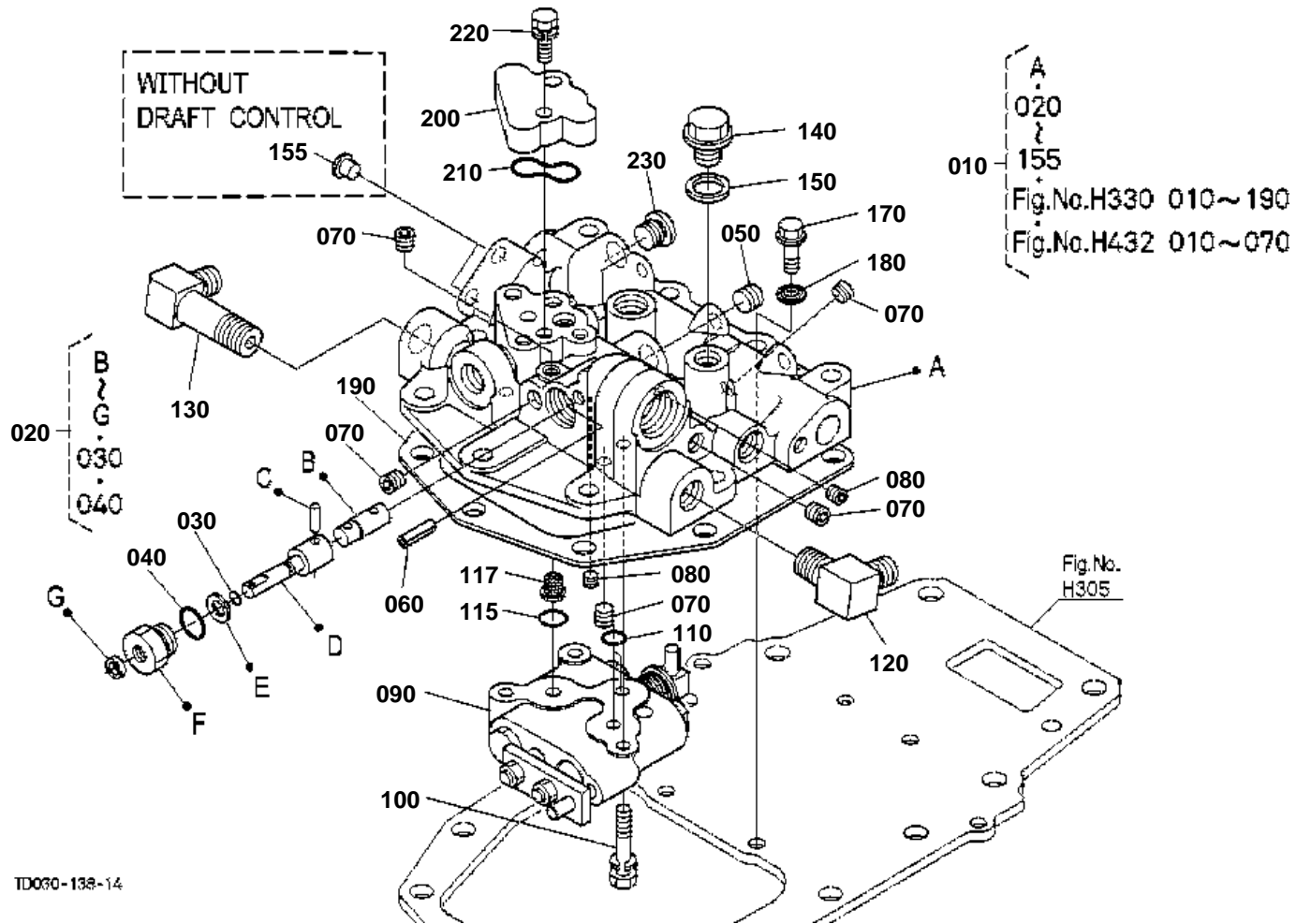
CONTROL VALVE (W/O REMOTE CONTROL VALVE) [OLD TYPE]  
S.No.;<=42572

↔ Interchangeable; ≠ not interchangeable; ← new for old; → old for new

REF.No	Part No.	Description	Q'ty	S.No.	I/C	REMARKS	Weight (kgf)	Weight (lb)
010	TD060-35600	ASSY COVER VALVE	1				0	0
020	T1060-35300	ASSY VALVE	1				0.09	0.198
030	04817-00050	O RING	1				0.001	0.0022
040	04816-00160	O RING	1				0.003	0.0066
050	38010-67020	PLUG	1				0.007	0.0154
060	05411-00630	PIN SPRING	1				0.004	0.0088
070	67511-36640	PLUG	5				0.003	0.0066
080	32420-67380	PLUG	2				0.005	0.011
090	T1060-35610	ASSY VALVE CONTROL	1	<=39586			1.515	3.333
090	YR828-00100	ASSY VALVE CONTROL	1	>=39587	←		1.5	3.3
100	01123-50845	BOLT	3				0.02	0.044
110	04817-00120	O RING	3				0.001	0.0022
120	06114-53032	JOINT	1				0.09	0.198
130	68891-64860	JOINT	1				0.125	0.275
140	37150-36730	PLUG	1				0.03	0.066
150	37150-36720	GASKET	1				0.01	0.022
155	66591-51130	PLUG	2				0.001	0.0022
160	TD060-46140	FILTER	1	<=36741			0.001	0.0022
170	01754-50830	BOLT FLANGE	2				0.05	0.11
180	04717-00810	WASHER WITH RUBBER	2				0.001	0.0022
190	T1060-35520	GASKET VALVE	1				0.009	0.0198
200	TD060-34380	CAP FLANGE	1				0.09	0.198
210	T1060-34390	GASKET FLANGE CAP	1				0.001	0.0022
220	01123-50825	BOLT	2				0.013	0.0286
230	TA040-36650	PLUG	1				0.005	0.011



CONTROL VALVE (W/O REMOTE CONTROL VALVE) [NEW TYPE]



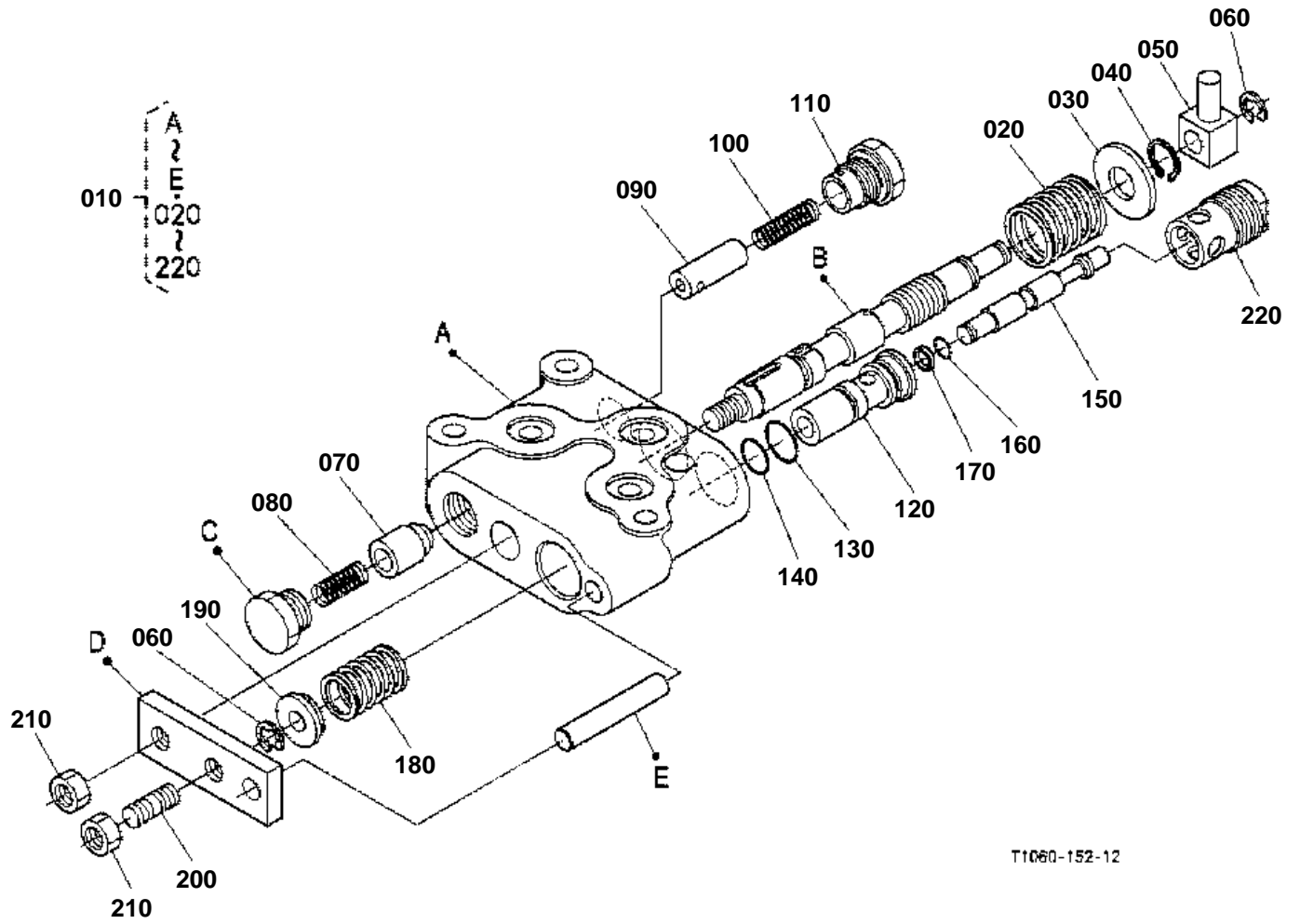


**CONTROL VALVE (W/O REMOTE CONTROL VALVE) [NEW TYPE]**  
S.No.;>=42573

↔ Interchangeable; ≠ not interchangeable; ← new for old; → old for new

REF.No	Part No.	Description	Q'ty	S.No.	I/C	REMARKS	Weight (kgf)	Weight (lb)
010	TD060-35604	ASSY COVER VALVE	1				10	22
020	T1060-35300	ASSY VALVE	1				0.09	0.198
030	04817-00050	O RING	1				0.001	0.0022
040	04816-00160	O RING	1				0.003	0.0066
050	38010-67020	PLUG	1				0.007	0.0154
060	05411-00630	PIN SPRING	1				0.004	0.0088
070	67511-36640	PLUG	5				0.003	0.0066
080	32420-67380	PLUG	2				0.005	0.011
090	YW276-00100	ASSY VALVE CONTROL	1				1.54	3.388
100	01123-50845	BOLT	3				0.02	0.044
110	04817-00120	O RING	2				0.001	0.0022
115	04817-00200	O RING	1				0.011	0.0242
117	T0270-46140	FILTER	1				0.002	0.0044
120	06114-53032	JOINT	1				0.09	0.198
130	68891-64860	JOINT	1				0.125	0.275
140	37150-36730	PLUG	1				0.03	0.066
150	37150-36720	GASKET	1				0.01	0.022
155	66591-51130	PLUG	2				0.001	0.0022
160	99999-99999	BLANK	0				0	0
170	01754-50830	BOLT FLANGE	2				0.05	0.11
180	04717-00810	WASHER WITH RUBBER	2				0.001	0.0022
190	T1060-35520	GASKET VALVE	1				0.009	0.0198
200	TD060-34380	CAP FLANGE	1				0.09	0.198
210	T1060-34390	GASKET FLANGE CAP	1				0.001	0.0022
220	01123-50825	BOLT	2				0.013	0.0286
230	TA040-36650	PLUG	1				0.005	0.011

CONTROL VALVE [COMPONENT PARTS] [OLD TYPE]



T1060-152-12

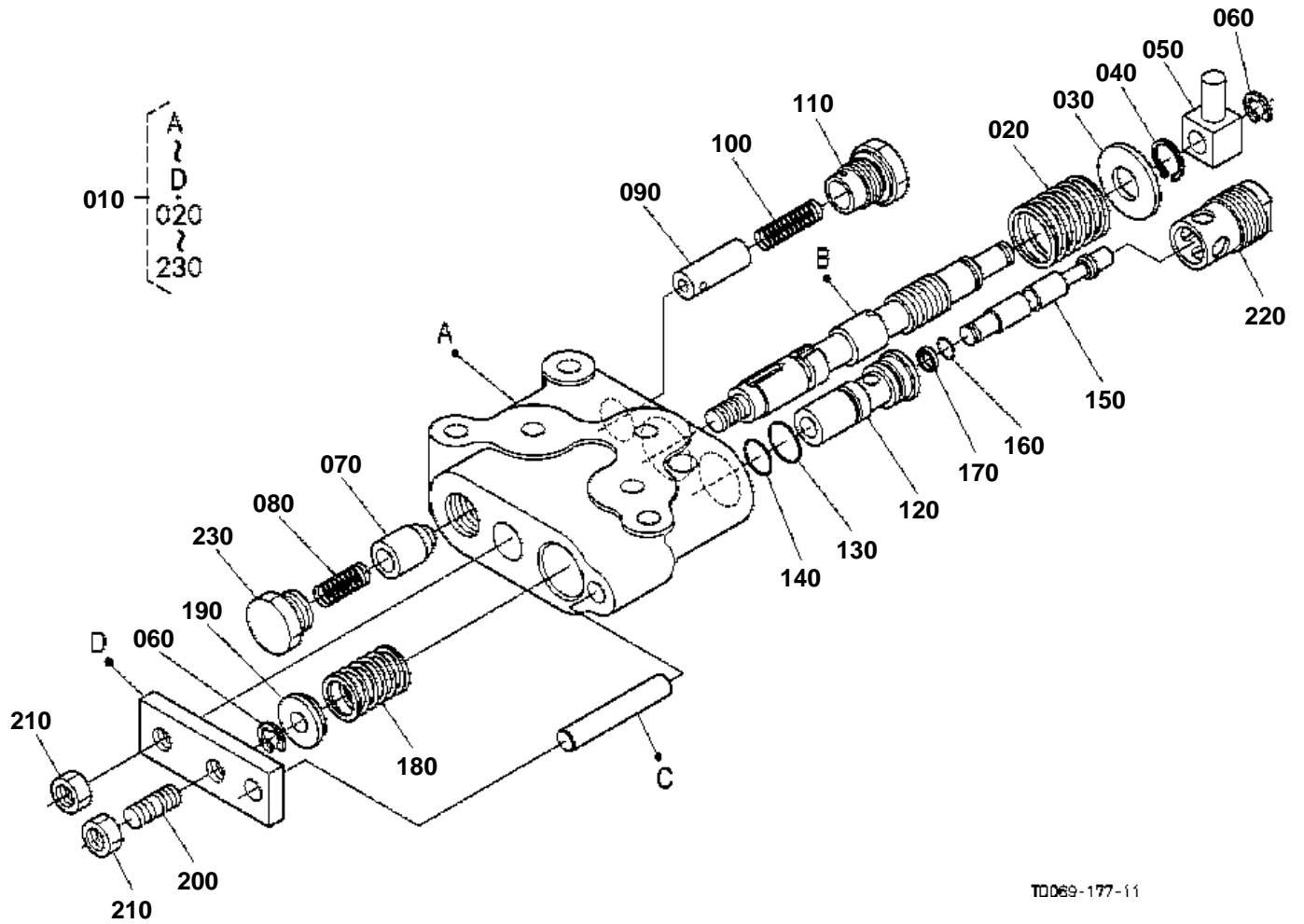


**CONTROL VALVE [COMPONENT PARTS] [OLD TYPE]**  
S.No.;<=39586

↔ Interchangeable; ≠ not interchangeable; ← new for old; → old for new

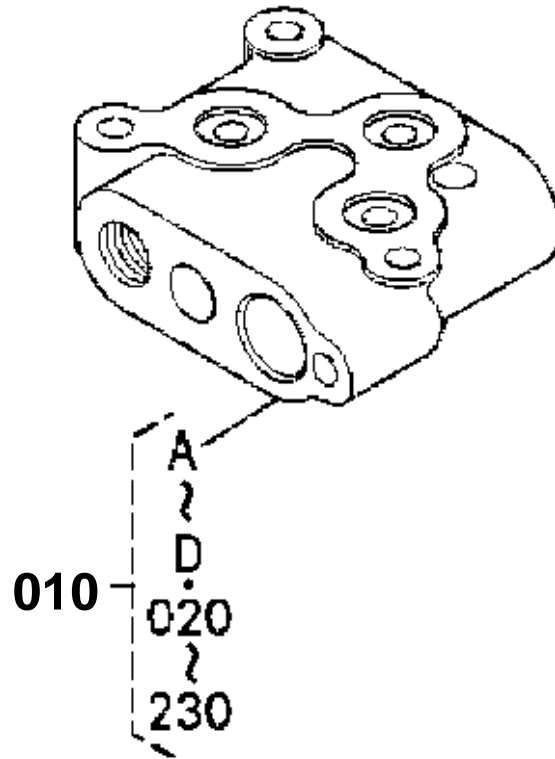
REF.No	Part No.	Description	Q'ty	S.No.	I/C	REMARKS	Weight (kgf)	Weight (lb)
010	T1060-35610	ASSY VALVE CONTROL	1				1.515	3.333
020	67156-36790	SPRING SPOOL	1				0.01	0.022
030	04013-60120	WASHER PLAIN	1				0.01	0.022
040	04612-00120	CIR CLIP EXTERNAL	1				0.001	0.0022
050	37150-36420	JOINT SPOOL	1				0.02	0.044
060	04613-50060	CIR CLIP EXTERNAL	2				0.001	0.0022
070	31351-39150	POPPET	1				0.02	0.044
080	67531-38470	SPRING	1				0.001	0.0022
090	66361-36750	POPPET	1				0.02	0.044
100	67156-36760	SPRING	1				0.004	0.0088
110	T0430-37560	PLUG	1				0.025	0.055
120	T0430-37600	SLEEVE	1				0.05	0.11
130	04816-05120	O RING	1				0.002	0.0044
130	04817-05120	O RING	1		←		0.001	0.0022
140	04816-05110	O RING	1				0.002	0.0044
140	04817-05110	O RING	1		←		0.005	0.011
150	T0430-37610	POPPET	1				0.018	0.0396
160	04816-00050	O RING	1				0.001	0.0022
170	31351-39290	RING BACK UP	1				0.001	0.0022
180	T0430-37620	SPRING	1				0.009	0.0198
190	T0430-37640	WASHER PLAIN	1				0.002	0.0044
200	03650-50816	SCREW SET	1				0.01	0.022
210	02114-50080	NUT	2				0.005	0.011
220	31351-37620	PLUG	1				0.045	0.099

CONTROL VALVE [COMPONENT PARTS] [NEW TYPE]



T0069-177-11

# OLD PARTS



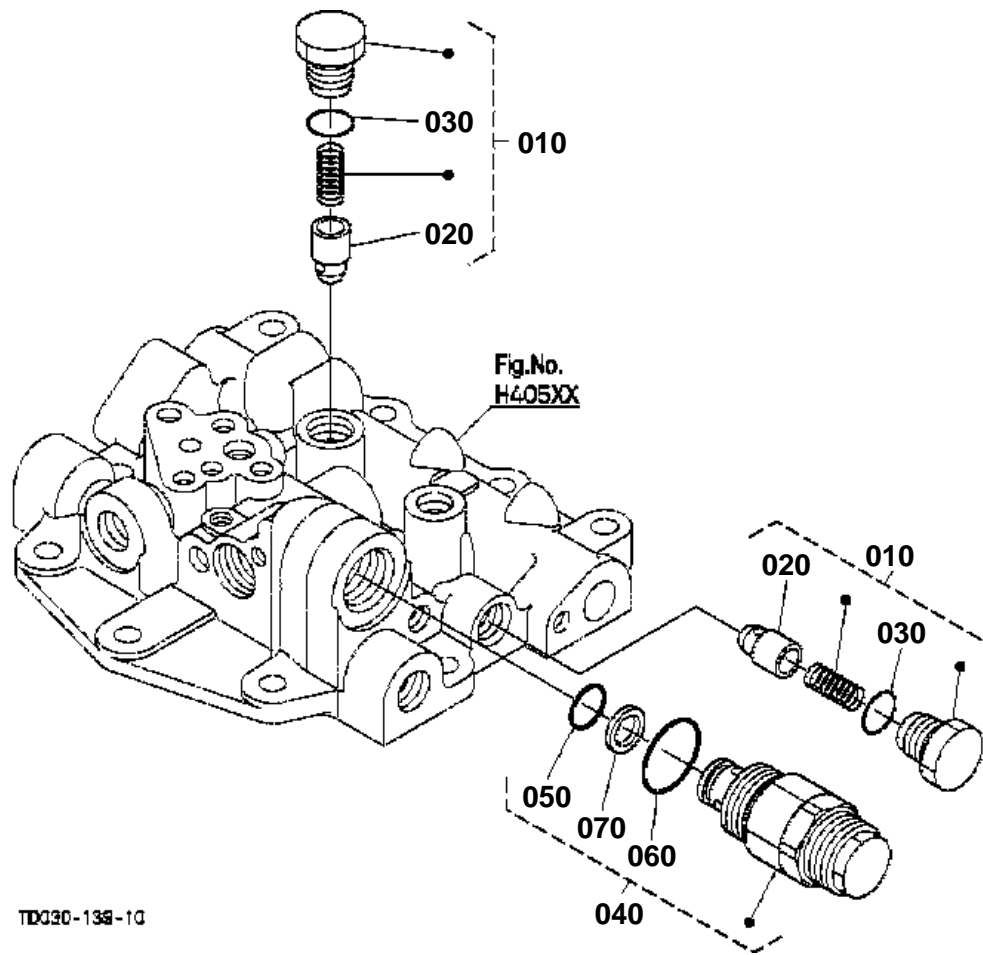
TD060-802-11



CONTROL VALVE [COMPONENT PARTS] [NEW TYPE]  
S.No.;>=39587

↔ Interchangeable; ≠ not interchangeable; ← new for old; → old for new

REF.No	Part No.	Description	Q'ty	S.No.	I/C	REMARKS	Weight (kgf)	Weight (lb)
010	YR828-00100	ASSY VALVE CONTROL	1	<=42572			1.5	3.3
010	YW276-00100	ASSY VALVE CONTROL	1	>=42573	≠		1.54	3.388
020	YT527-20130	SPRING SPOOL	1				0.01	0.022
030	04013-60120	WASHER PLAIN	1				0.01	0.022
040	04612-00120	CIR CLIP EXTERNAL	1				0.001	0.0022
050	37150-36420	JOINT SPOOL	1				0.02	0.044
060	04613-50060	CIR CLIP EXTERNAL	2				0.001	0.0022
070	YT161-22250	POPPET	1				0	0
080	YT104-00750	SPRING	1				0.001	0.0022
090	YT593-00210	POPPET	1				0.005	0.011
100	YT527-20180	SPRING	1				0.002	0.0044
110	YR730-20170	PLUG	1				0.025	0.055
120	YR730-20260	POPPET	1				0	0
130	04817-05120	O RING	1				0.001	0.0022
140	04817-05110	O RING	1				0.005	0.011
150	YR730-20250	SLEEVE	1				0	0
160	04816-00050	O RING	1				0.001	0.0022
170	YT161-22280	RING BACK UP	1				0.001	0.0022
180	YR730-20270	SPRING	1				0	0
190	YR730-20410	HOLDER SPRING	1				0.006	0.0132
200	03650-50816	SCREW SET	1				0.01	0.022
210	02114-50080	NUT	2				0.005	0.011
220	YR828-00140	PLUG	1				0.046	0.1012
230	YR828-00130	PLUG UNLOAD	1				0.023	0.0506





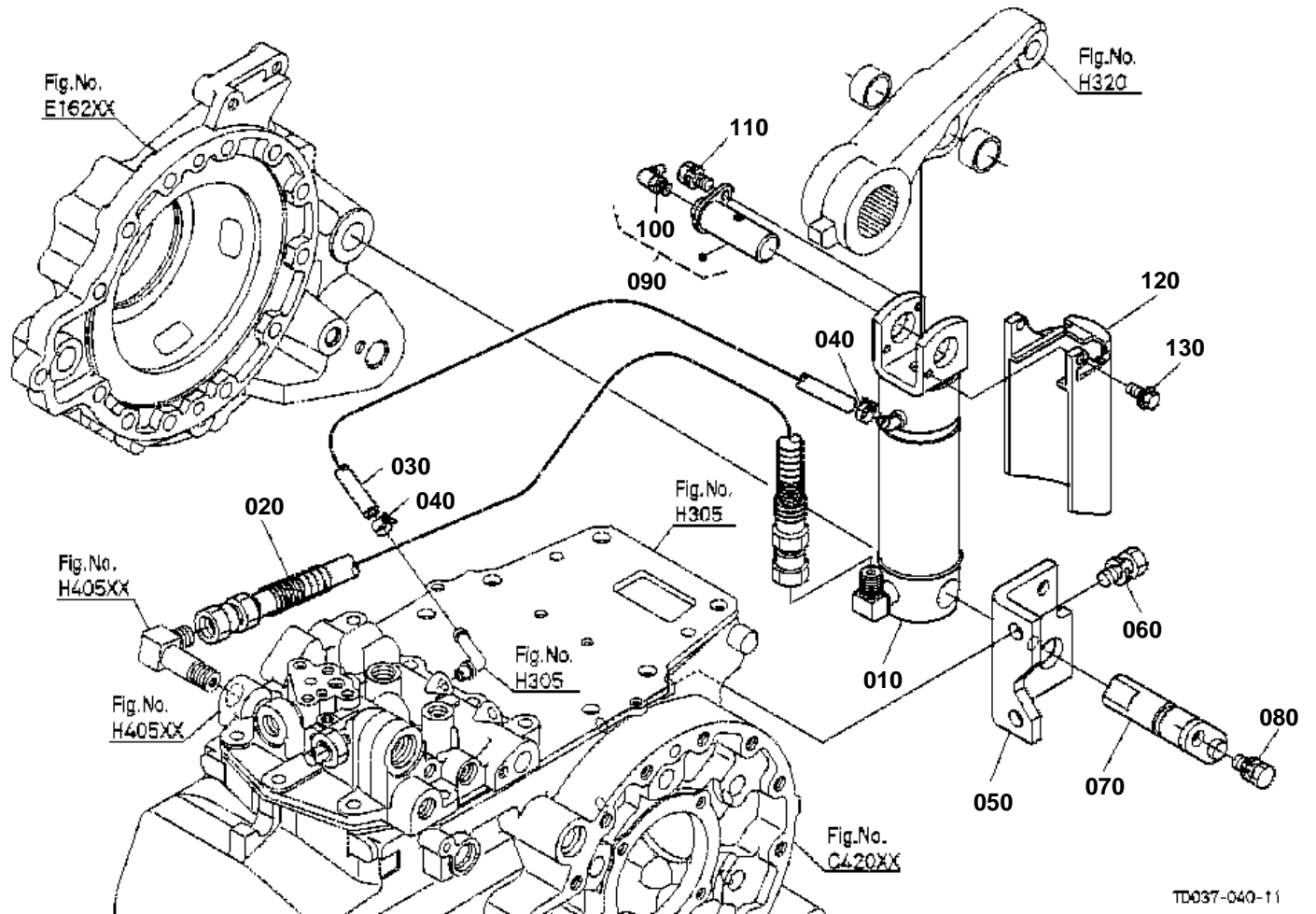


# CHECK VALVE/SAFETY VALVE

↔ Interchangeable; ≠ not interchangeable; ← new for old; → old for new

REF.No	Part No.	Description	Q'ty	S.No.	I/C	REMARKS	Weight (kgf)	Weight (lb)
010	T1060-35400	ASSY VALVE CHECK	2				0.05	0.11
020	67950-36290	POPPET	2				0.012	0.0264
030	04816-00140	O RING	2				0.002	0.0044
040	TC050-39000	ASSY VALVE SAFETY	1				0.4	0.88
040	YW125-00102	ASSY VALVE SAFETY	1		↔		0.4	0.88
050	04817-00160	O RING	1				0.001	0.0022
060	04817-06280	O RING	1				0.002	0.0044
070	33770-94040	RING BACK UP	1	<=35196			0.002	0.0044
070	YT133-00160	RING BACK UP	1	>=35197	←		0.001	0.0022

3P CYLINDER RH

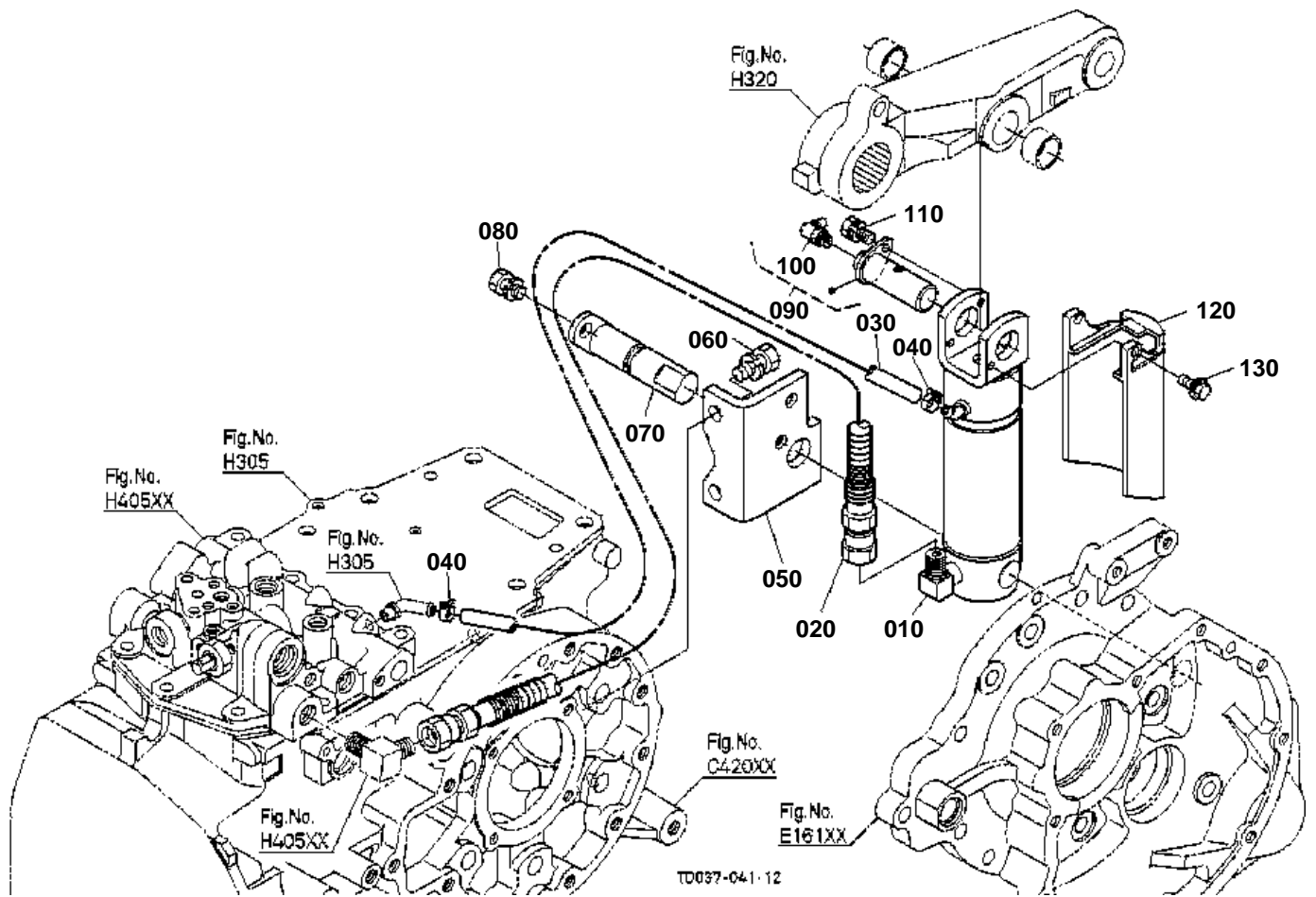


TD037-040-11

**3P CYLINDER RH**

↔ Interchangeable; ≠ not interchangeable; ← new for old; → old for new

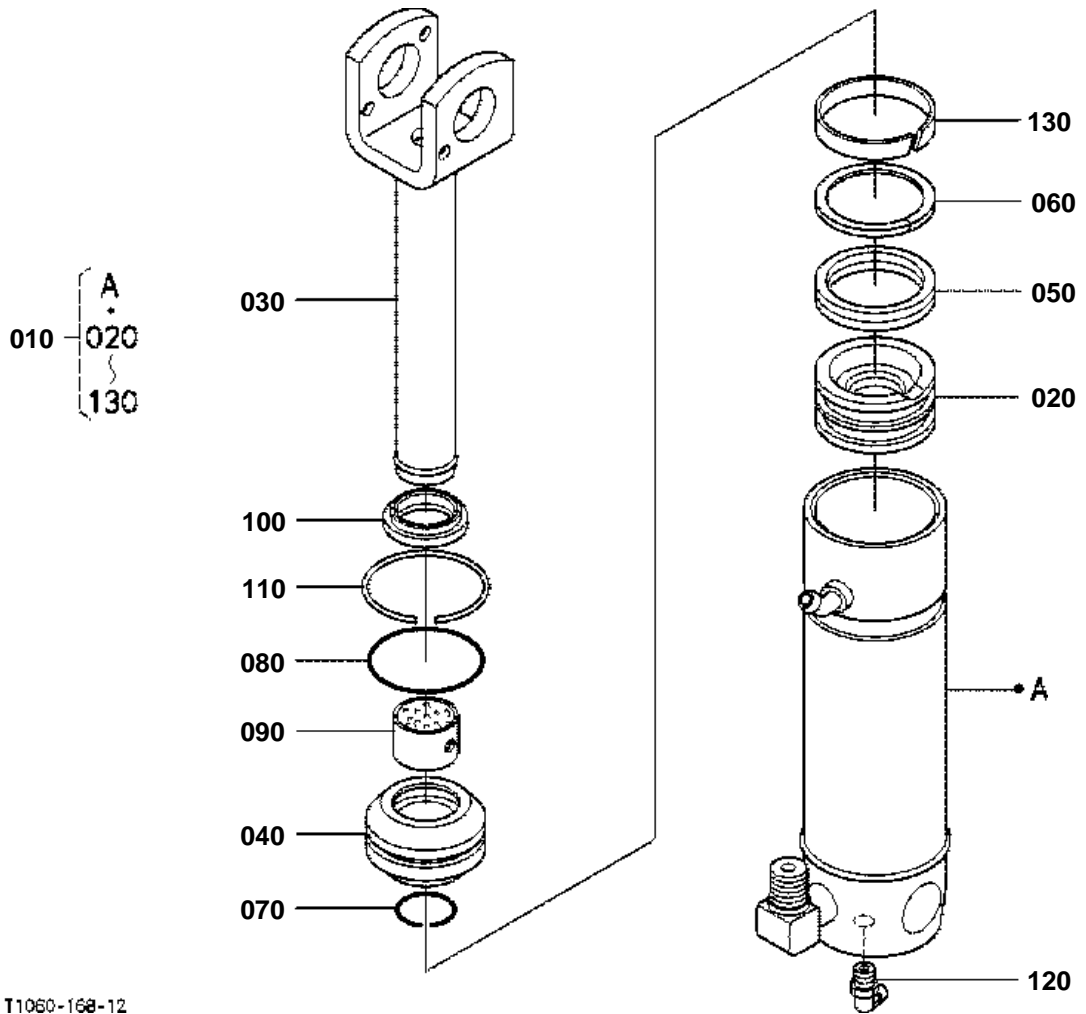
REF.No	Part No.	Description	Q'ty	S.No.	I/C	REMARKS	Weight (kgf)	Weight (lb)
010	T1060-34700	ASSY CYLINDER	1	<=36466			0	0
010	T1060-34703	ASSY CYLINDER	1	>=36467	←		4	8.8
020	TD060-34920	HOSE HYD.CYLINDER	1				0.545	1.199
030	09661-80360	TUBE FUEL	1				0.045	0.099
040	09318-88115	CLAMP HOSE	2				0.002	0.0044
050	TD020-34870	STAY CYLINDER RH	1				0.73	1.606
060	01133-51230	BOLT	1				0.04	0.088
070	T1060-34890	PIN CYLINDER	1				0.445	0.979
080	01133-51016	BOLT	1				0.015	0.033
090	T1060-34850	ASSY PIN CYLINDER	1				0.256	0.5632
100	06616-25010	NIPPLE GREASE	1				0.008	0.0176
110	01023-50612	BOLT	1				0.005	0.011
120	T1060-34812	COVER CYLINDER	1				0.055	0.121
130	01754-50610	BOLT FLANGE	2				0.006	0.0132



**3P CYLINDER LH**

↔ Interchangeable; ≠ not interchangeable; ← new for old; → old for new

REF.No	Part No.	Description	Q'ty	S.No.	I/C	REMARKS	Weight (kgf)	Weight (lb)
010	T1060-34700	ASSY CYLINDER	1	<=36466			0	0
010	T1060-34703	ASSY CYLINDER	1	>=36467	←		4	8.8
020	TD060-34920	HOSE HYD.CYLINDER	1				0.545	1.199
030	09661-80360	TUBE FUEL	1				0.045	0.099
040	09318-88115	CLAMP HOSE	2				0.002	0.0044
050	TD020-34880	STAY CYLINDER LH	1				0.73	1.606
060	01133-51230	BOLT	1				0.04	0.088
070	T1060-34890	PIN CYLINDER	1				0.445	0.979
080	01133-51016	BOLT	1				0.015	0.033
090	T1060-34850	ASSY PIN CYLINDER	1				0.256	0.5632
100	06616-25010	NIPPLE GREASE	1				0.008	0.0176
110	01023-50612	BOLT	1				0.005	0.011
120	T1060-34812	COVER CYLINDER	1				0.055	0.121
130	01754-50610	BOLT FLANGE	2				0.006	0.0132



T1060-168-12

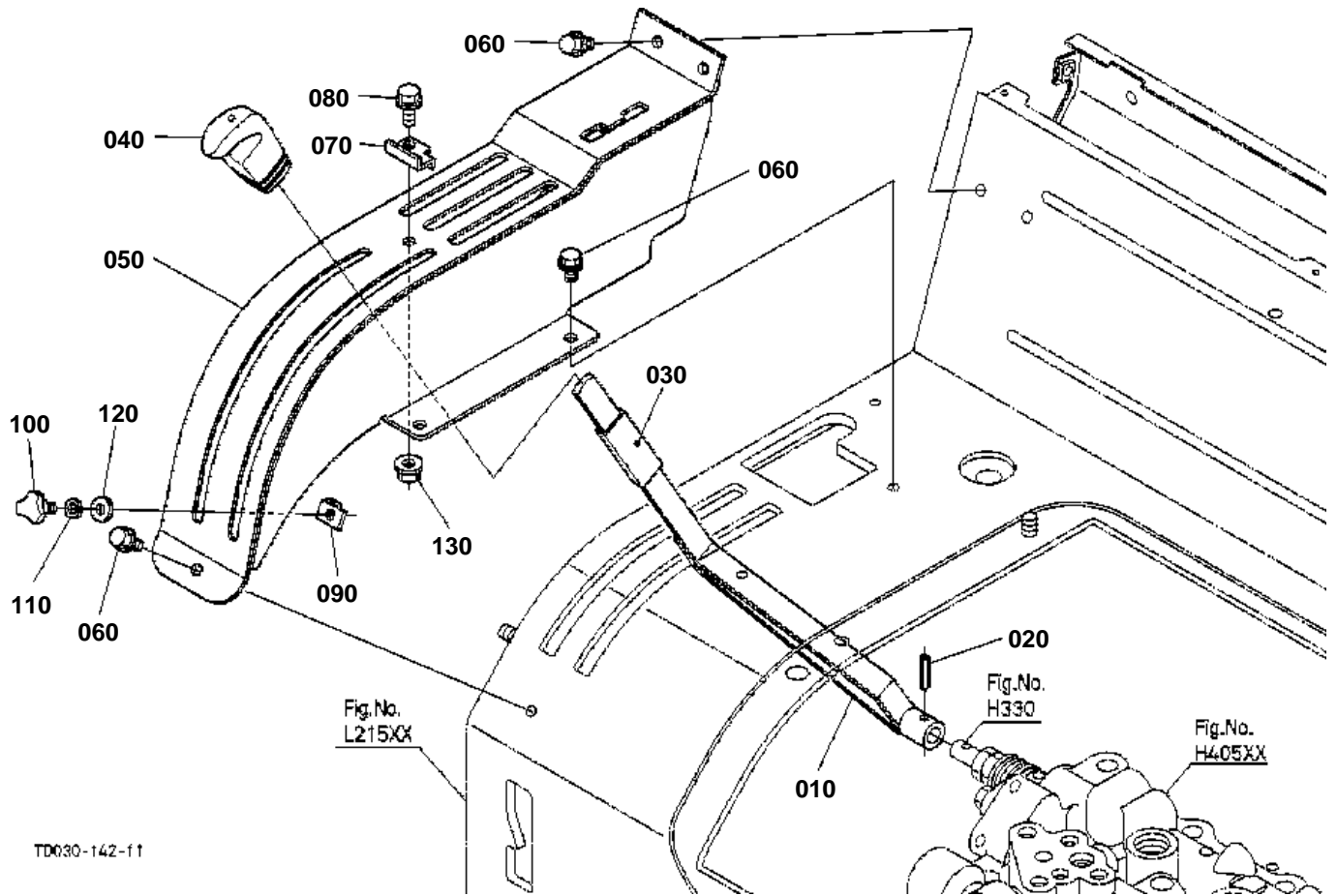


### 3P CYLINDER [COMPONENT PARTS]

↔ Interchangeable; ≠ not interchangeable; ← new for old; → old for new

REF.No	Part No.	Description	Q'ty	S.No.	I/C	REMARKS	Weight (kgf)	Weight (lb)
010	T1060-34700	ASSY CYLINDER	2	<=36466			0	0
010	T1060-34703	ASSY CYLINDER	2	>=36467	←		4	8.8
020	T1060-34720	PISTON	2				0.25	0.55
030	T1060-34730	ROD	2				1.085	2.387
040	T1060-34740	END	2				0.31	0.682
050	T1060-34980	GASKET PISTON	2				0.008	0.0176
060	T1060-34990	RING BACK UP	2				0.005	0.011
070	T1060-34760	CIR CLIP ROD	2	<=36466			0	0
070	T1060-34762	CIR CLIP ROD	2	>=36467	←		0.003	0.0066
080	04816-50500	O RING	2				0.005	0.011
090	T1060-34750	BUSH	2				0.015	0.033
100	T1060-34770	SCRAPER	2				0.008	0.0176
110	T1060-34780	CIR-CLIP	2				0.005	0.011
120	06616-35010	NIPPLE GREASE	2				0.009	0.0198
130	T1060-34790	BUSH	2				0.007	0.0154

POSITION CONTROL LEVER [ROPS TYPE]



TD030-142-11



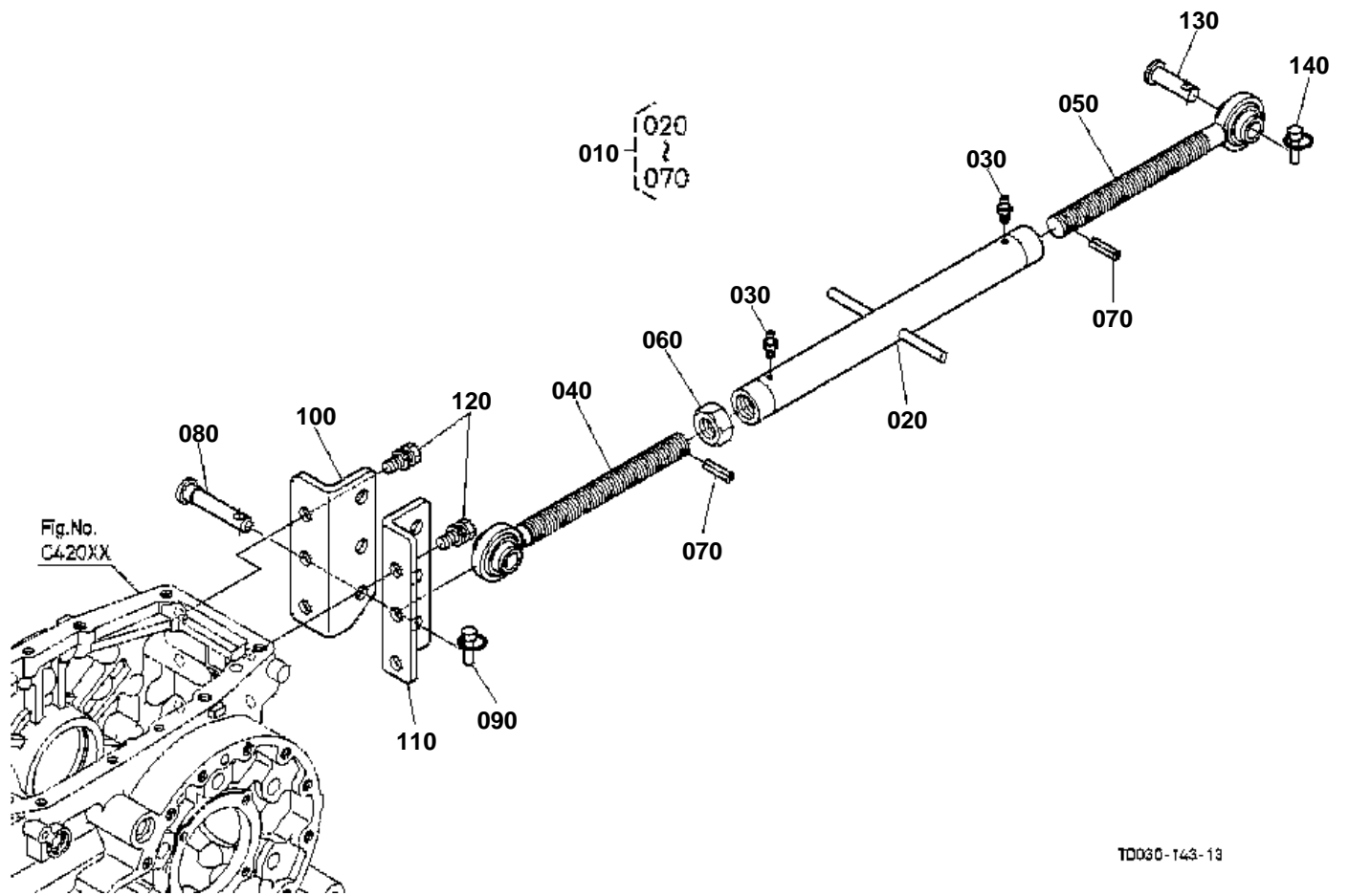


# POSITION CONTROL LEVER [ROPS TYPE]

↔ Interchangeable; ≠ not interchangeable; ← new for old; → old for new

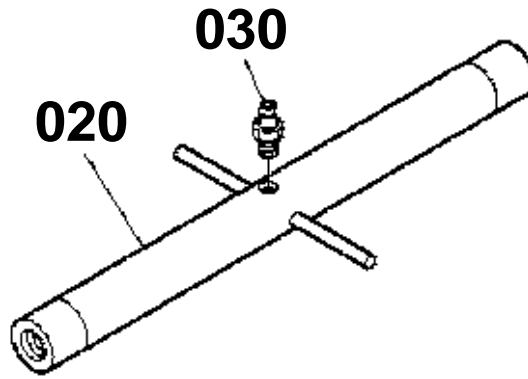
REF.No	Part No.	Description	Q'ty	S.No.	I/C	REMARKS	Weight (kgf)	Weight (lb)
010	TD060-36110	LEVER POSITION	1				0.5	1.1
020	05411-00525	PIN SPRING	1				0.002	0.0044
030	TD060-36130	TUBE LEVER	1				0.005	0.011
040	TD060-36140	GRIP LEVER	1				0.045	0.099
050	TD060-47613	ASSY GUIDE HYD.LEVER	1	<=36466			0	0
050	TD060-47616	ASSY GUIDE HYD.LEVER	1	>=36467	←		1.36	2.992
060	01754-50812	BOLT FLANGE	5				0.01	0.022
070	34070-36130	STOPPER	1				0.015	0.033
080	01123-60816	BOLT	1				0.01	0.022
090	34070-36140	STOPPER	1				0.005	0.011
100	01820-50620	BOLT KNOB	1				0.015	0.033
110	04512-60060	WASHER SPRING	1				0.001	0.0022
120	31351-18860	WASHER	1				0.002	0.0044
130	02751-50080	NUT FLANGE	1	>=36467			0.006	0.0132

TOP LINK



TD030-143-13

# OLD PARTS



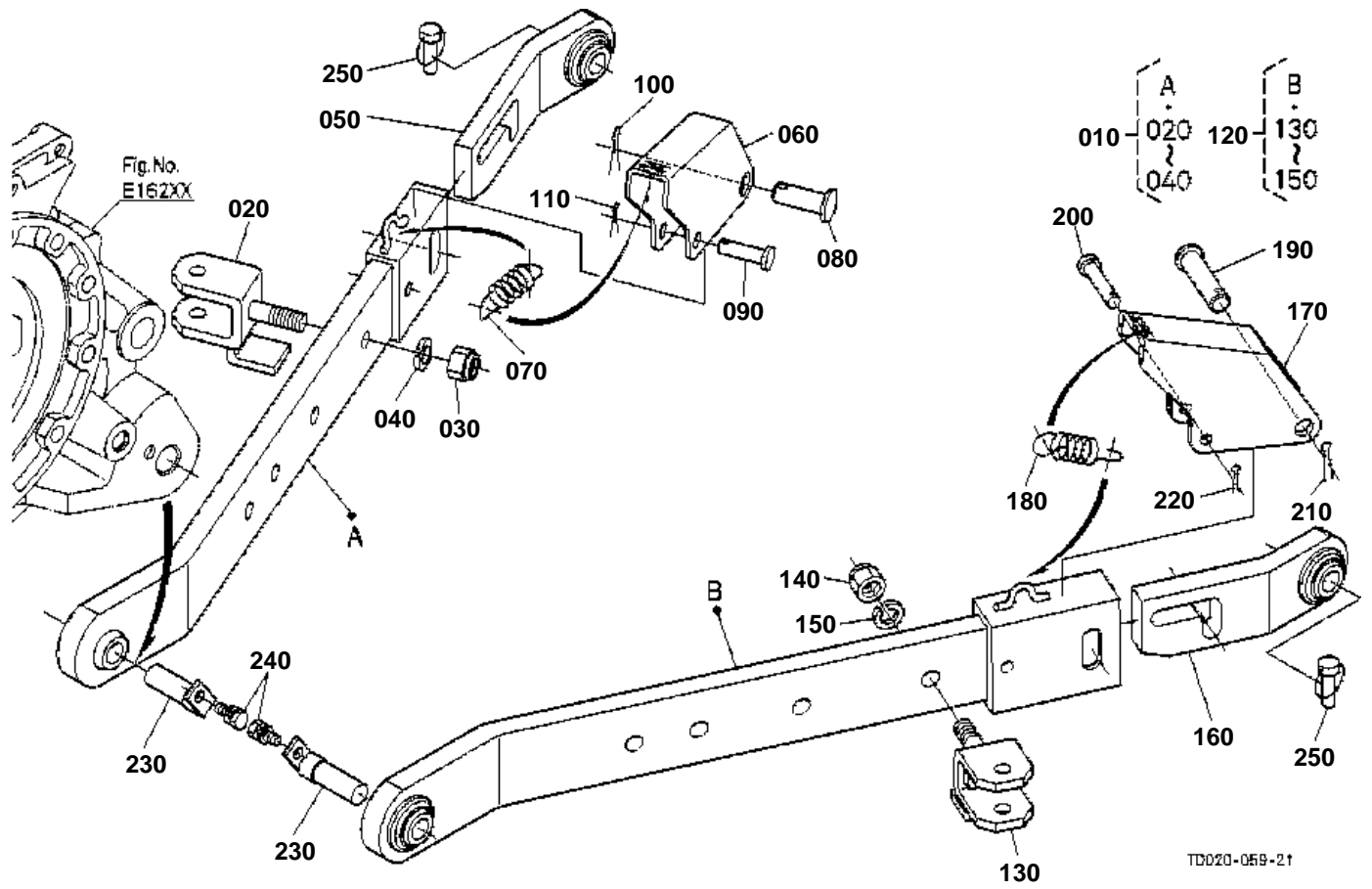
TD052-807-10



↔ Interchangeable; ≠ not interchangeable; ← new for old; → old for new

REF.No	Part No.	Description	Q'ty	S.No.	I/C	REMARKS	Weight (kgf)	Weight (lb)
010	35080-71100	ASSY LINK TOP	1	≤44203			3.6	7.92
010	TD050-71100	ASSY LINK TOP	1	≥44204	←		0	0
020	35340-71113	LINK TOP	1	≤44203			1.265	2.783
020	TD050-71110	LINK TOP	1	≥44204	←		0	0
030	67211-42940	NIPPLE GREASE	1	≤44203			0.001	0.0022
030	67211-42940	NIPPLE GREASE	2	≥44204			0.001	0.0022
040	35340-71210	JOINT TOP LINK	1				1.06	2.332
050	35340-71220	JOINT TOP LINK	1				1.06	2.332
060	32244-71180	NUT TOP LINK	1				0.057	0.1254
070	05411-00430	PIN SPRING	2				0.002	0.0044
080	TD060-39190	PIN TOP LINK	1				0.19	0.418
090	34150-37640	PIN SET	1				0.06	0.132
100	TD060-39180	HOLDER TOP LINK RH	1				0.925	2.035
110	99571-22150	HOLDER TOP LINK LH	1				0.99	2.178
120	01133-51230	BOLT	6				0.04	0.088
130	31150-71360	PIN JOINT	1				0.166	0.3652
140	34150-37640	PIN SET	1				0.06	0.132

### 3-POINT LINKAGE (LOWER LINK)



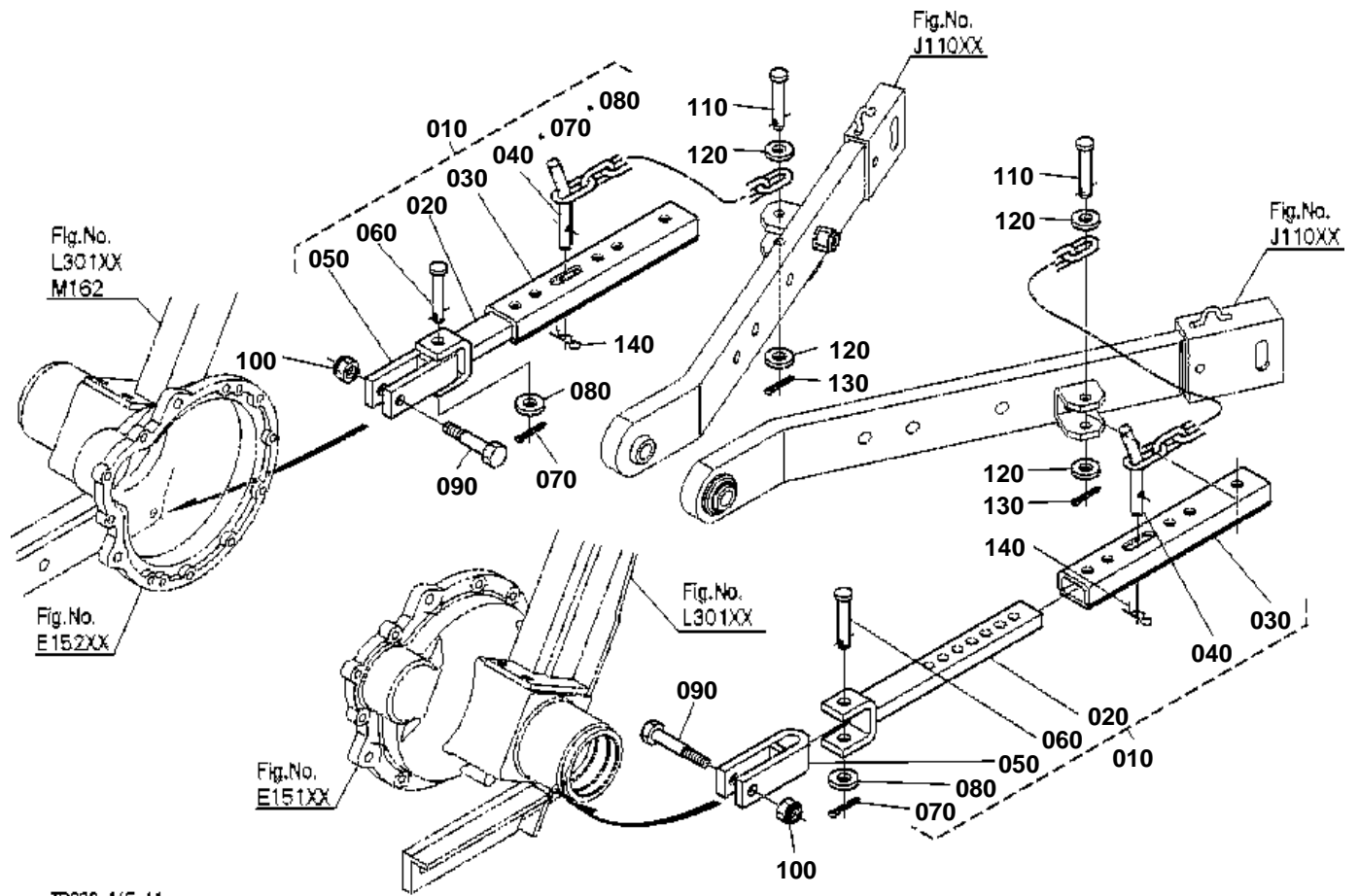


### 3-POINT LINKAGE (LOWER LINK)

↔ Interchangeable; ≠ not interchangeable; ← new for old; → old for new

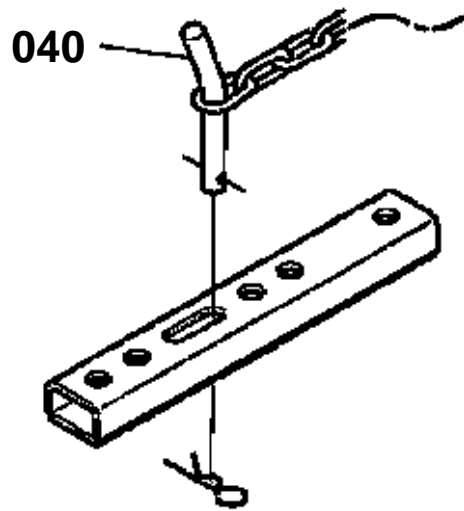
REF.No	Part No.	Description	Q'ty	S.No.	I/C	REMARKS	Weight (kgf)	Weight (lb)
010	TD020-39233	COMP.LINK LOWER RH	1	<=45718			0	0
010	TD020-39234	COMP.LINK LOWER RH	1	>=45719	←		7.6	16.72
020	TA140-71350	BRACKET	1	<=45718			0	0
020	TA140-71353	BRACKET	1	>=45719	←		0.65	1.43
030	TC050-71430	NUT	1				0.035	0.077
040	04512-60160	WASHER SPRING	1				0.01	0.022
050	TA140-71390	LINK LOWER REAR RH	1				1.85	4.07
060	TA140-71410	LEVER	1				0.34	0.748
070	33660-92170	SPRING	1				0.02	0.044
080	TA140-71400	PIN	1				0.085	0.187
090	05122-50645	PIN JOINT	1				0.01	0.022
100	05511-50530	PIN SPLIT	1				0.006	0.0132
110	05511-51615	PIN SPLIT	1				0.001	0.0022
120	TD020-39243	COMP.LINK LOWER LH	1	<=45718			0	0
120	TD020-39244	COMP.LINK LOWER LH	1	>=45719	←		6.8	14.96
130	TA140-71350	BRACKET	1	<=45718			0	0
130	TA140-71353	BRACKET	1	>=45719	←		0.65	1.43
140	TC050-71430	NUT	1				0.035	0.077
150	04512-60160	WASHER SPRING	1				0.01	0.022
160	TA140-71380	LINK LOWER REAR LH	1				1.85	4.07
170	TA140-71410	LEVER	1				0.34	0.748
180	33660-92170	SPRING	1				0.02	0.044
190	TA140-71400	PIN	1				0.085	0.187
200	05122-50645	PIN JOINT	1				0.01	0.022
210	05511-50530	PIN SPLIT	1				0.006	0.0132
220	05511-51615	PIN SPLIT	1				0.001	0.0022
230	TA040-39412	PIN LOWER LINK	2				0.25	0.55
240	01133-51020	BOLT	2				0.02	0.044
250	34150-37640	PIN SET	2				0.06	0.132

STABILIZER



TD030-145-11

# OLD PARTS



TD067-821-10

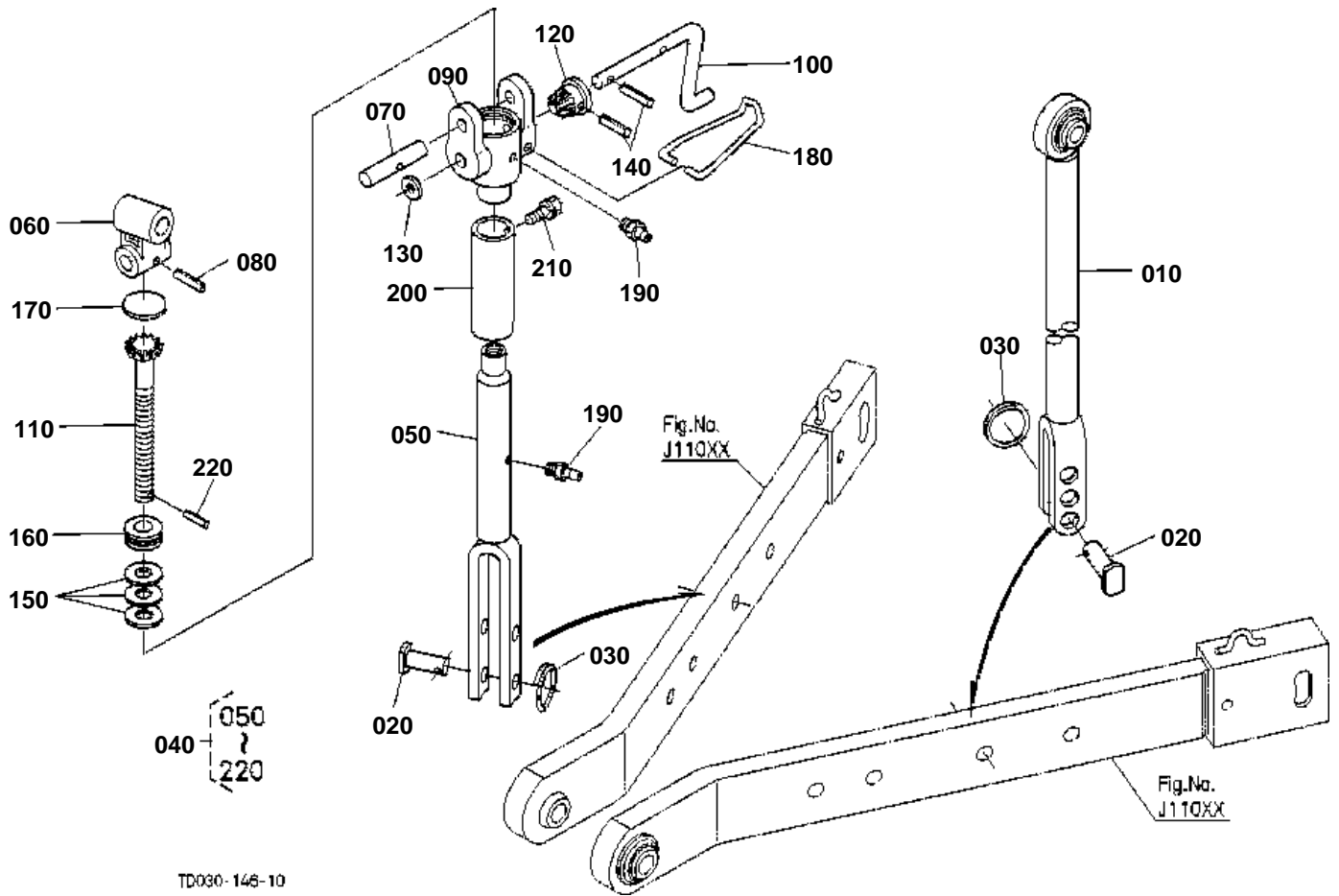


**STABILIZER**

↔ Interchangeable; ≠ not interchangeable; ← new for old; → old for new

REF.No	Part No.	Description	Q'ty	S.No.	I/C	REMARKS	Weight (kgf)	Weight (lb)
010	TD050-39600	ASSY STABILIZER	2	<=45718			0	0
010	TD050-39602	ASSY STABILIZER	2	>=45719	←		2.76	6.072
020	TD050-39610	COMP.STAB.FRONT	2				1.025	2.255
030	TA140-39620	COMP.STAB.REAR	2				0.895	1.969
040	TA140-39630	COMP.JOINT	2	<=45718			0	0
040	TA140-39632	COMP.JOINT	2	>=45719	←		0.23	0.506
050	TA140-39643	COMP.JOINT	2				0.48	1.056
060	TA140-39820	PIN STABILIZER REAR	2				0.064	0.1408
070	05511-50425	PIN SPLIT	2				0.003	0.0066
080	04011-50120	WASHER PLAIN	2				0.005	0.011
090	TA140-39850	BOLT STABILIZER	2				0.06	0.132
100	02572-50120	NUT LOCK	2				0.014	0.0308
110	TA140-39820	PIN STABILIZER REAR	2				0.064	0.1408
120	04011-50120	WASHER PLAIN	4				0.005	0.011
130	05511-50425	PIN SPLIT	2				0.003	0.0066
140	TC050-51200	PIN SNAP	2				0.005	0.011

3-POINT LINKAGE (LIFT ROD)

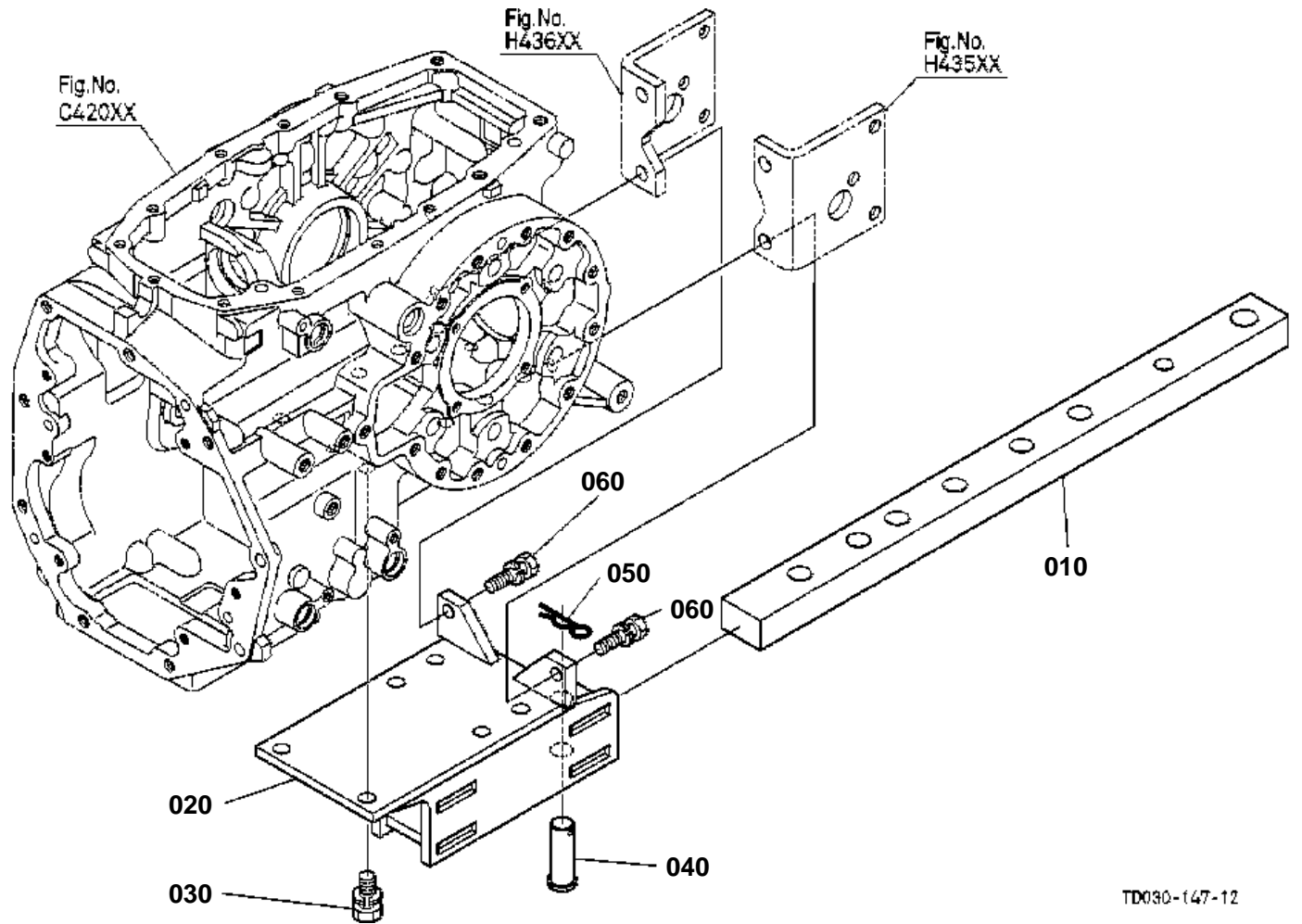




### 3-POINT LINKAGE (LIFT ROD)

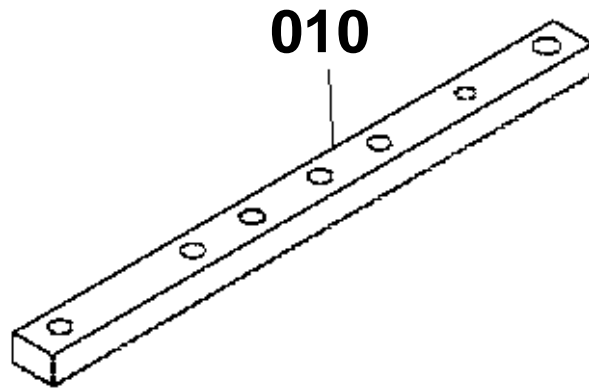
↔ interchangeable; ≠ not interchangeable; ← new for old; → old for new

REF.No	Part No.	Description	Q'ty	S.No.	I/C	REMARKS	Weight (kgf)	Weight (lb)
010	TD020-39310	ROD LIFT LH	1				2.5	5.5
020	38747-71582	PIN LIFT ROD	2				0.1	0.22
030	67156-34340	RING SNAP	2				0.01	0.022
040	TD060-39500	ASSY ROD	1				3.6	7.92
050	TD060-39520	ROD LIFT LOWER	1				1.13	2.486
060	TD060-39570	JOINT	1				0.45	0.99
070	TA140-39550	PIN LIFT ROD	1				0.11	0.242
080	05411-00532	PIN SPRING	1				0.003	0.0066
090	31351-71710	CASE LIFT ROD GEAR	1				0.85	1.87
100	31351-71660	HANDLE LIFT ROD	1				0.235	0.517
110	TA140-39530	GEAR LIFT ROD	1				0.345	0.759
120	TA140-39540	GEAR LIFT ROD	1				0.1	0.22
130	31351-71670	WASHER PLAIN	1				0.002	0.0044
140	05411-00622	PIN SPRING	2				0.003	0.0066
150	31220-71720	SHIM	3				0.001	0.0022
160	32294-71770	BEARING THRUST BALL	1				0.073	0.1606
170	06311-75045	PLUG EXPANSION	1				0.026	0.0572
180	32244-71730	STOPPER HANDLE	1				0.027	0.0594
190	06613-10675	NIPPLE GREASE	2				0.003	0.0066
200	31351-71700	PIPE	1				0.2	0.44
210	01202-50612	BOLT	1				0.005	0.011
220	05411-00322	PIN SPRING	1				0.001	0.0022



TD030-147-12

# OLD PARTS



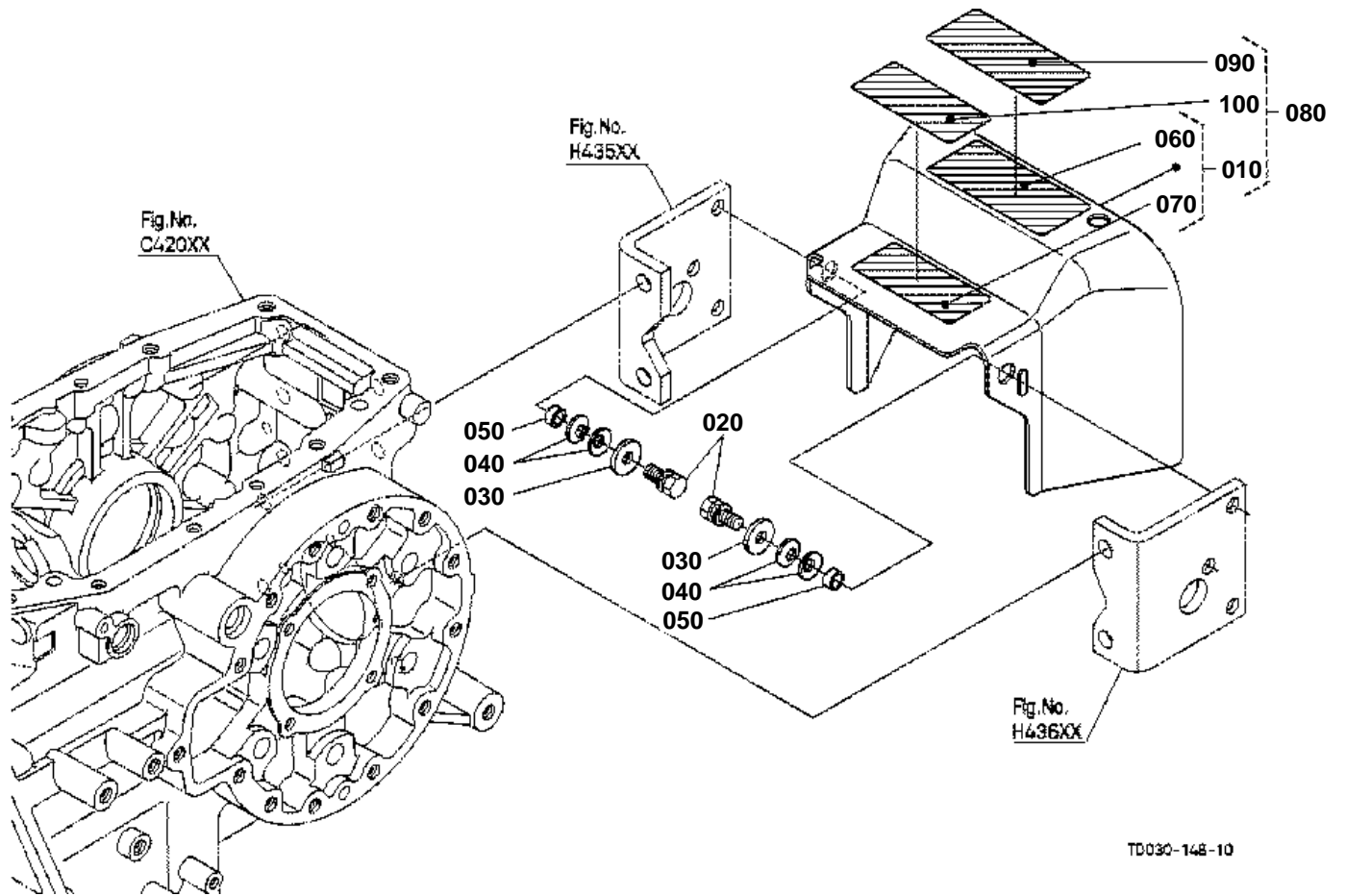
TD030-802-10



# DRAWBAR

↔ Interchangeable; ≠ not interchangeable; ← new for old; → old for new

REF.No	Part No.	Description	Q'ty	S.No.	I/C	REMARKS	Weight (kgf)	Weight (lb)
010	TD060-29712	DRAWBAR	1	<=30115			0	0
010	TD060-29713	DRAWBAR	1	>=30116	←		7.1	15.62
020	TD060-29730	FRAME DRAWBAR	1				7.9	17.38
030	01138-51430	BOLT	6				0.07	0.154
040	05122-52070	PIN JOINT	1				0.184	0.4048
050	05515-51600	PIN SNAP	1				0.007	0.0154
060	01133-51240	BOLT	2				0.05	0.11



TD030-148-10



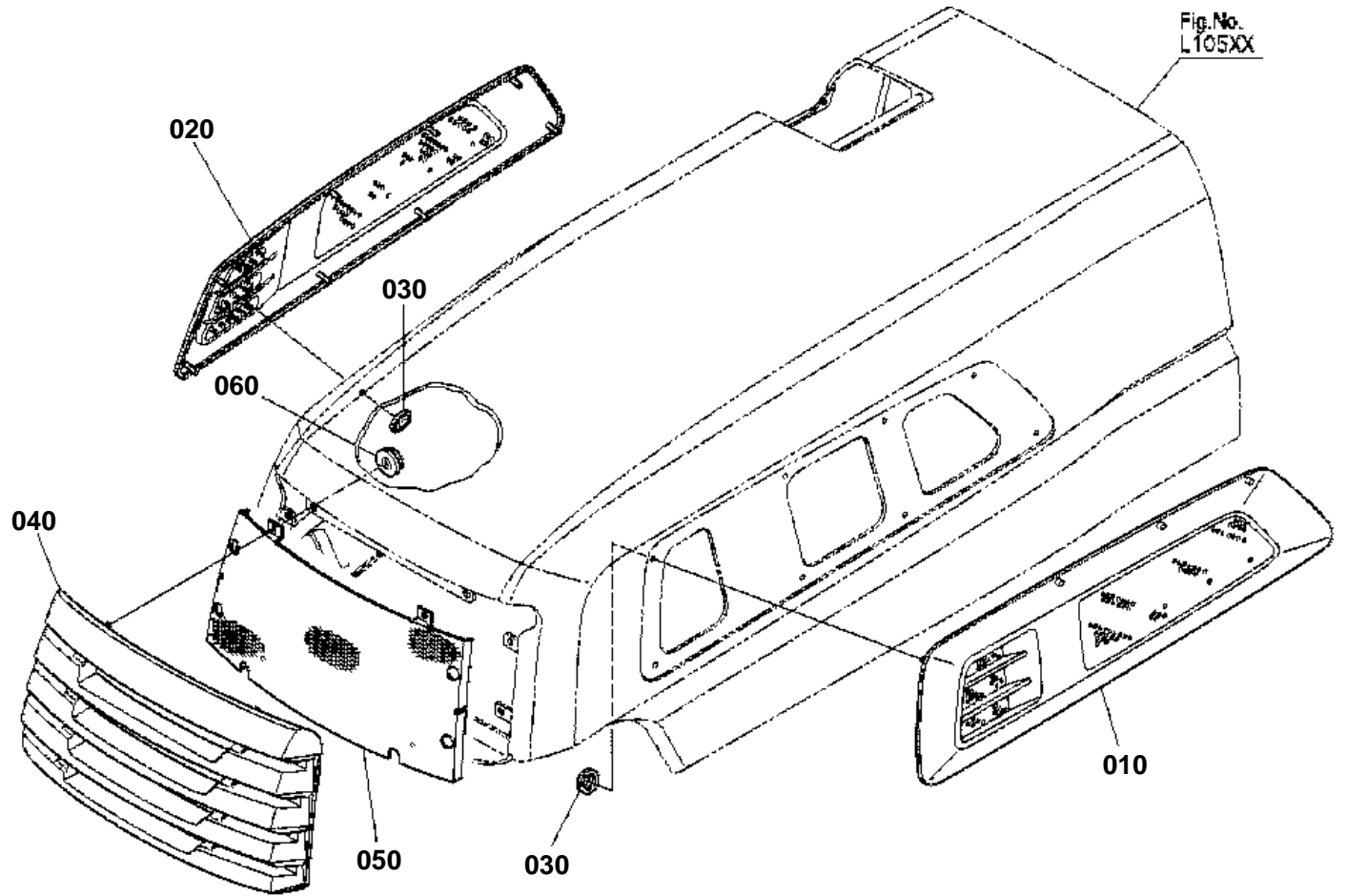
# PTO PROTECTOR

↔ interchangeable; ≠ not interchangeable; ← new for old; → old for new

REF.No	Part No.	Description	Q'ty	S.No.	I/C	REMARKS	Weight (kgf)	Weight (lb)
010	TD060-99630	KIT COVER PTO(A)	1			ENGLISH	2	4.4
020	01133-51020	BOLT	2				0.02	0.044
030	04015-50100	WASHER PLAIN	2				0.016	0.0352
040	31351-17440	SPRING	4				0.004	0.0088
050	TD060-23790	COLLAR PTO PROTECTOR	2				0.003	0.0066
060	TA040-49590	LABEL PTO WARNING	1			ENGLISH	0.002	0.0044
070	TA040-49350	LABEL DRAWBAR	1			ENGLISH	0.002	0.0044
080	TD061-99630	KIT COVER PTO(B)	1			FRENCH	2	4.4
090	TA041-49590	LABEL PTO WARNING	1			FRENCH	0.001	0.0022
100	TA041-49350	LABEL DRAWBAR	1			FRENCH	0.003	0.0066



FRONT GRILLE



T0096-149-10

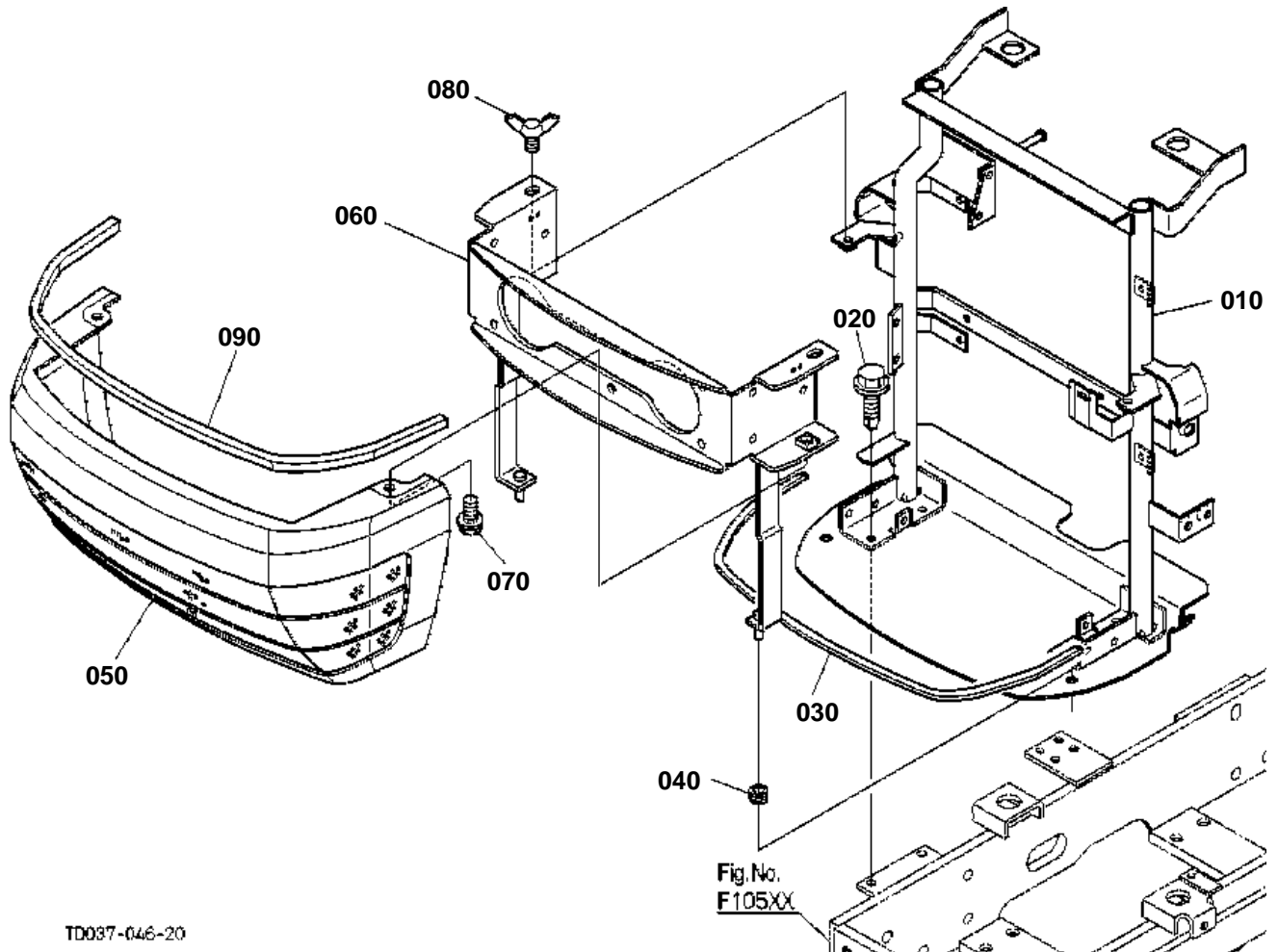


# FRONT GRILLE

↔ interchangeable; ≠ not interchangeable; ← new for old; → old for new

REF.No	Part No.	Description	Q'ty	S.No.	I/C	REMARKS	Weight (kgf)	Weight (lb)
010	T1060-41820	GLILLE LH	1				0.215	0.473
020	T1060-41810	GLILLE RH	1				0.215	0.473
030	RA111-43690	NUT	16				0.001	0.0022
040	TD060-41830	GRILLE RADIATOR	1				0.4	0.88
050	TD060-40910	NET RADIATOR GRILLE	1				0.145	0.319
060	02751-50060	NUT FLANGE	8				0.005	0.011

HOOD(BONNET) FRONT SUPPORT



TD037-046-20

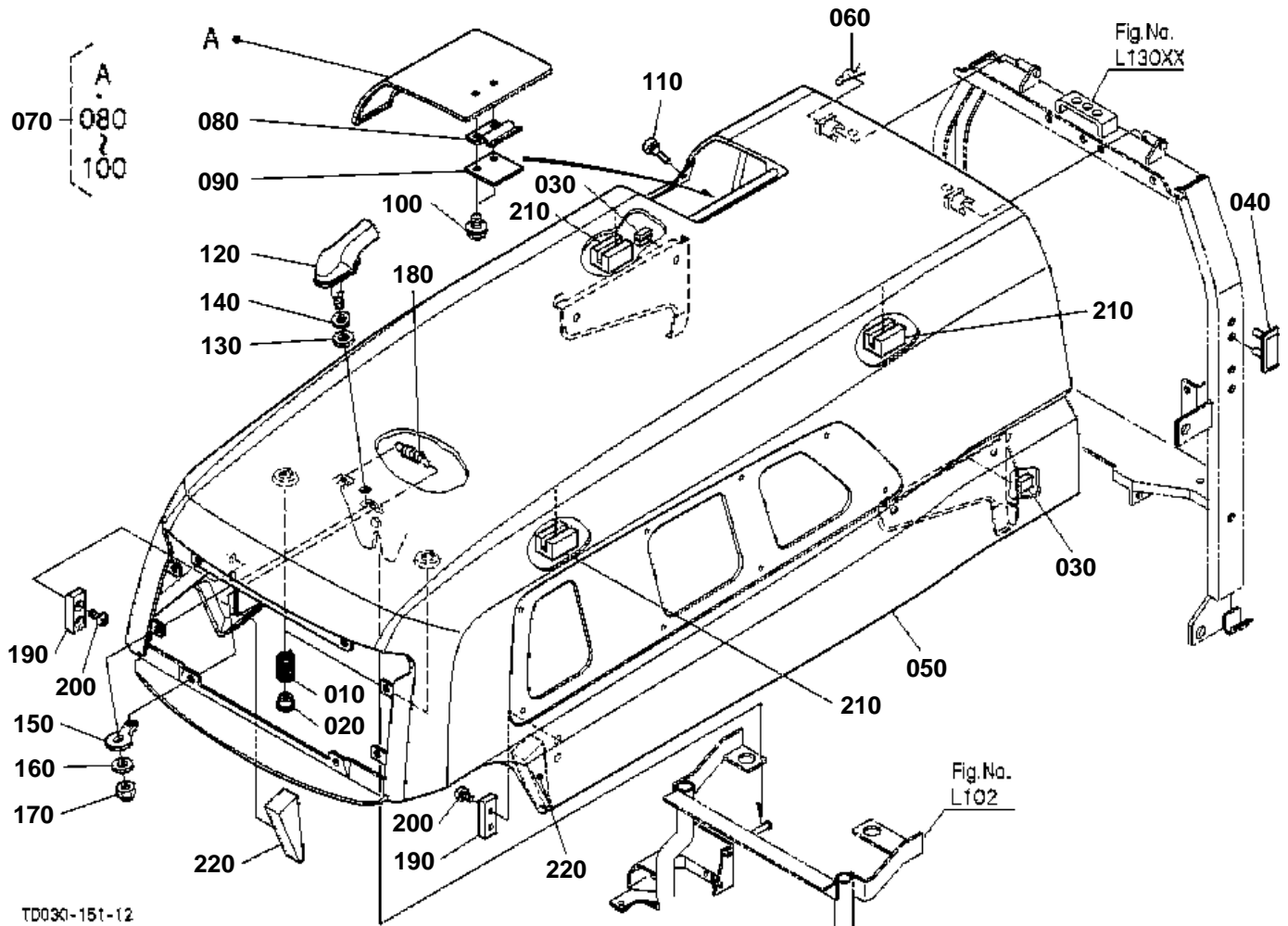


# HOOD(BONNET) FRONT SUPPORT

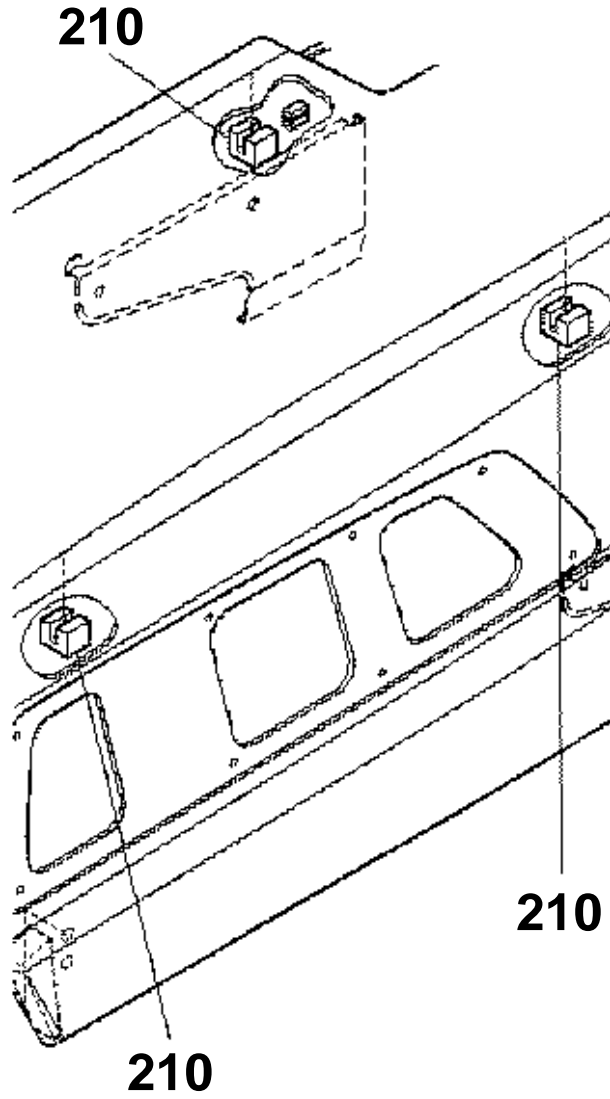
↔ Interchangeable; ≠ not interchangeable; ← new for old; → old for new

REF.No	Part No.	Description	Q'ty	S.No.	I/C	REMARKS	Weight (kgf)	Weight (lb)
010	TD050-40012	SUPPORT FRONT	1	<=47838			6.5	14.3
010	TD050-40014	SUPPORT FRONT	1	>=47839	←		6.5	14.3
020	T2050-47370	BOLT	4				0.015	0.033
030	T0430-40070	SPONGE BATTERY PLATE	1				0.012	0.0264
040	66591-54580	RUBBER RELEASE ROD	2				0.002	0.0044
050	TD060-41040	ASSY COVER FRONT	1				0.85	1.87
060	T1060-41056	BRACKET HEAD LAMP	1				1.13	2.486
060	T1065-41050	BRACKET HEAD LAMP	1		↔		0	0
070	01754-50812	BOLT FLANGE	2				0.01	0.022
080	T1150-41380	BOLT WING	2				0.023	0.0506
090	34070-40642	SPONGE	1	<=41264			0.01	0.022
090	TD060-40640	SPONGE	1	>=41265	←		0	0

HOOD(BONNET) [ROPS TYPE]



# OLD PARTS



TD067-802-10

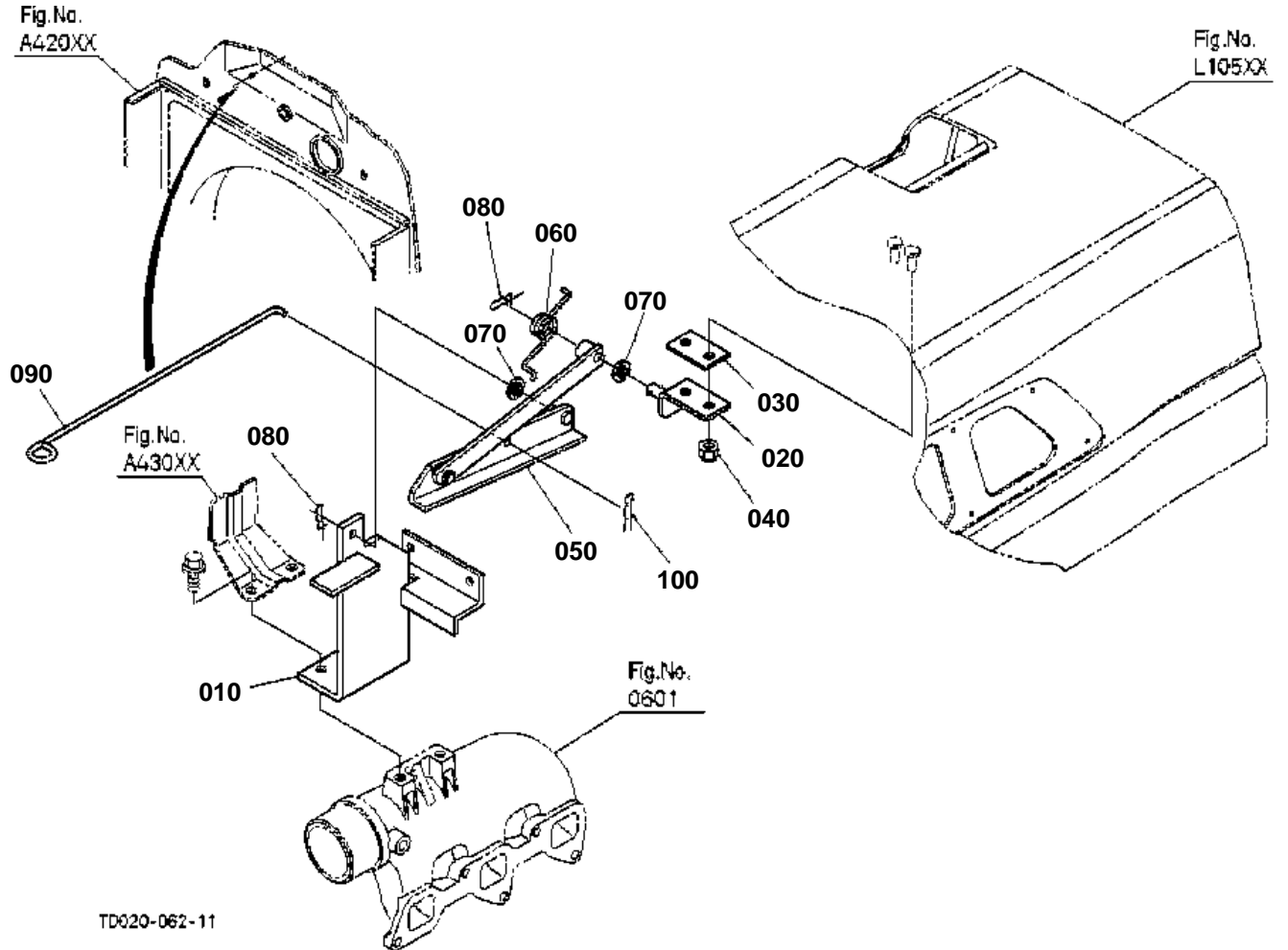


## HOOD(BONNET) [ROPS TYPE]

↔ Interchangeable; ≠ not interchangeable; ← new for old; → old for new

REF.No	Part No.	Description	Q'ty	S.No.	I/C	REMARKS	Weight (kgf)	Weight (lb)
010	T1060-41130	SPRING	2				0.022	0.0484
020	41182-61150	PLUG	2				0.003	0.0066
020	T1270-41140	CUSHION	2		↔		0.007	0.0154
030	T1060-41110	CUSHION	2				0.005	0.011
040	T1150-42240	CUSHION	2				0.003	0.0066
050	T1130-41010	BONNET	1				14.8	32.56
060	05525-61000	PIN SNAP	1				0.002	0.0044
070	T1060-41450	ASSY COVER BONNET U.	1				0.475	1.045
080	30400-94080	SPRING BONNET COVER	1				0.012	0.0264
090	30400-94092	SPRING BONNET COVER	1				0.015	0.033
100	01754-50616	BOLT FLANGE	2				0.006	0.0132
110	36330-83120	CUSHION	2				0.001	0.0022
120	T0070-41560	HANDLE MASCOT	1				0.085	0.187
130	33251-83850	WASHER HANDLE	1				0.001	0.0022
140	33251-83950	WASHER SPRING	1				0.001	0.0022
150	T1060-41220	LOCK BONNET	1				0.022	0.0484
160	04013-60080	WASHER PLAIN	1				0.002	0.0044
170	02552-50080	NUT LOCK	1				0.005	0.011
180	T1060-41120	SPRING	1				0.006	0.0132
190	37150-18180	CUSHION	2				0.015	0.033
200	03054-50512	SCREW PAN-HEAD	4				0.003	0.0066
210	T1150-41910	SPONGE BONNET	3	≤37369			0.001	0.0022
210	T1150-41913	SPONGE BONNET	3	≥37370	←		0.001	0.0022
220	TD060-40140	SPONGE BONNET	2	≥30116			0.004	0.0088

HOOD(BONNET) LINK [ROPS TYPE]





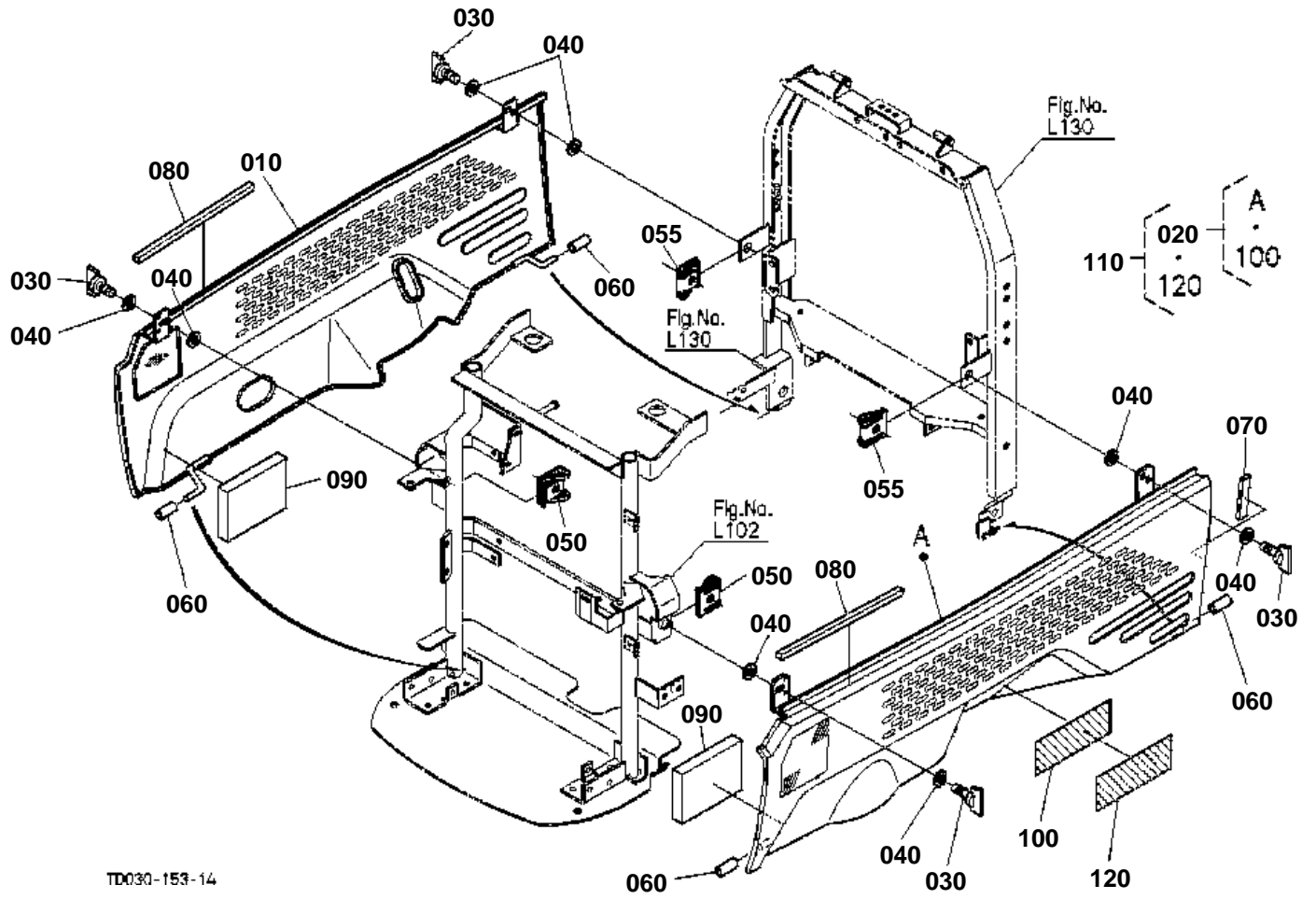


# HOOD(BONNET) LINK [ROPS TYPE]

↔ Interchangeable; ≠ not interchangeable; ← new for old; → old for new

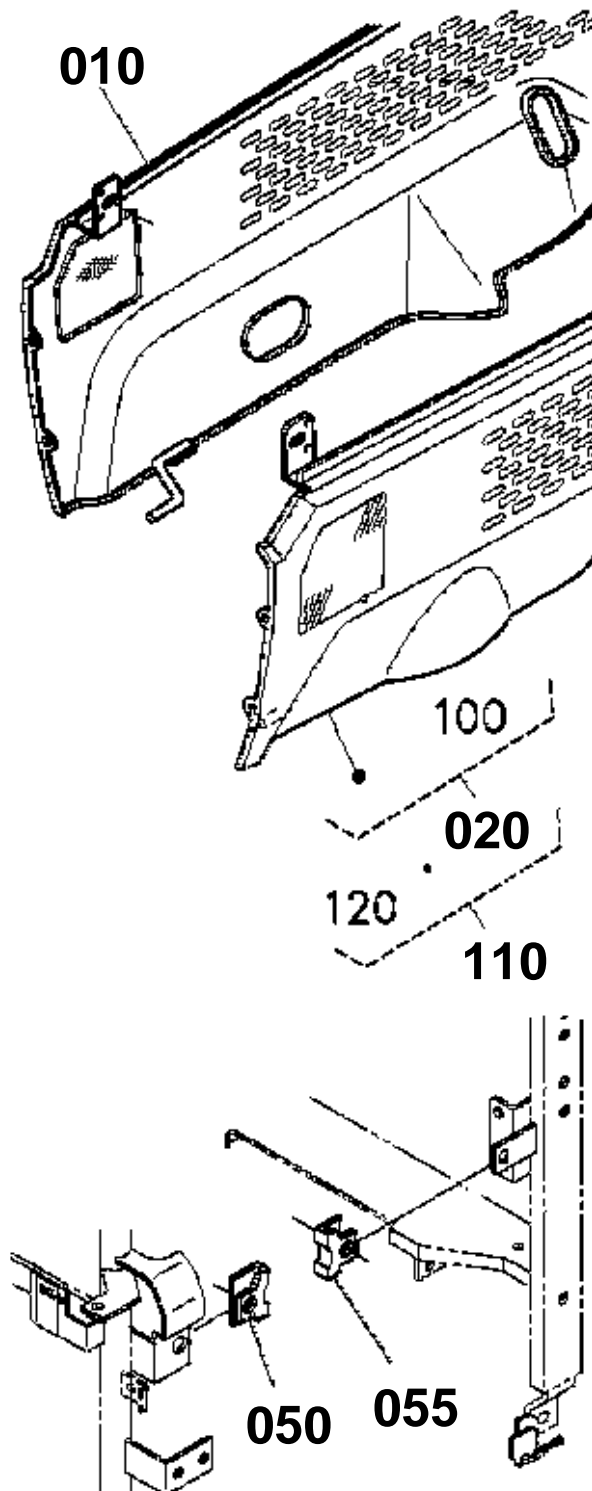
REF.No	Part No.	Description	Q'ty	S.No.	I/C	REMARKS	Weight (kgf)	Weight (lb)
010	T1060-41240	BRACKET LINK	1				1.015	2.233
020	T1060-41260	HINGE LINK	1	≤=33968			0.1	0.22
020	T1060-41263	HINGE LINK	1	≥=33969	←		0.1	0.22
030	T1060-41270	CUSHION LINK	1				0.006	0.0132
040	02552-50080	NUT LOCK	2				0.005	0.011
050	TD060-41230	LINK	1				0.39	0.858
060	T1170-46360	SPRING	1				0.014	0.0308
070	04717-00810	WASHER WITH RUBBER	2				0.001	0.0022
080	52300-34120	PIN SNAP	2				0.001	0.0022
090	TD060-41282	ROD BONNET LINK	1				0.105	0.231
100	05525-60500	PIN SNAP	1				0.001	0.0022

SIDE COVER LOWER



TD030-153-14

# OLD PARTS



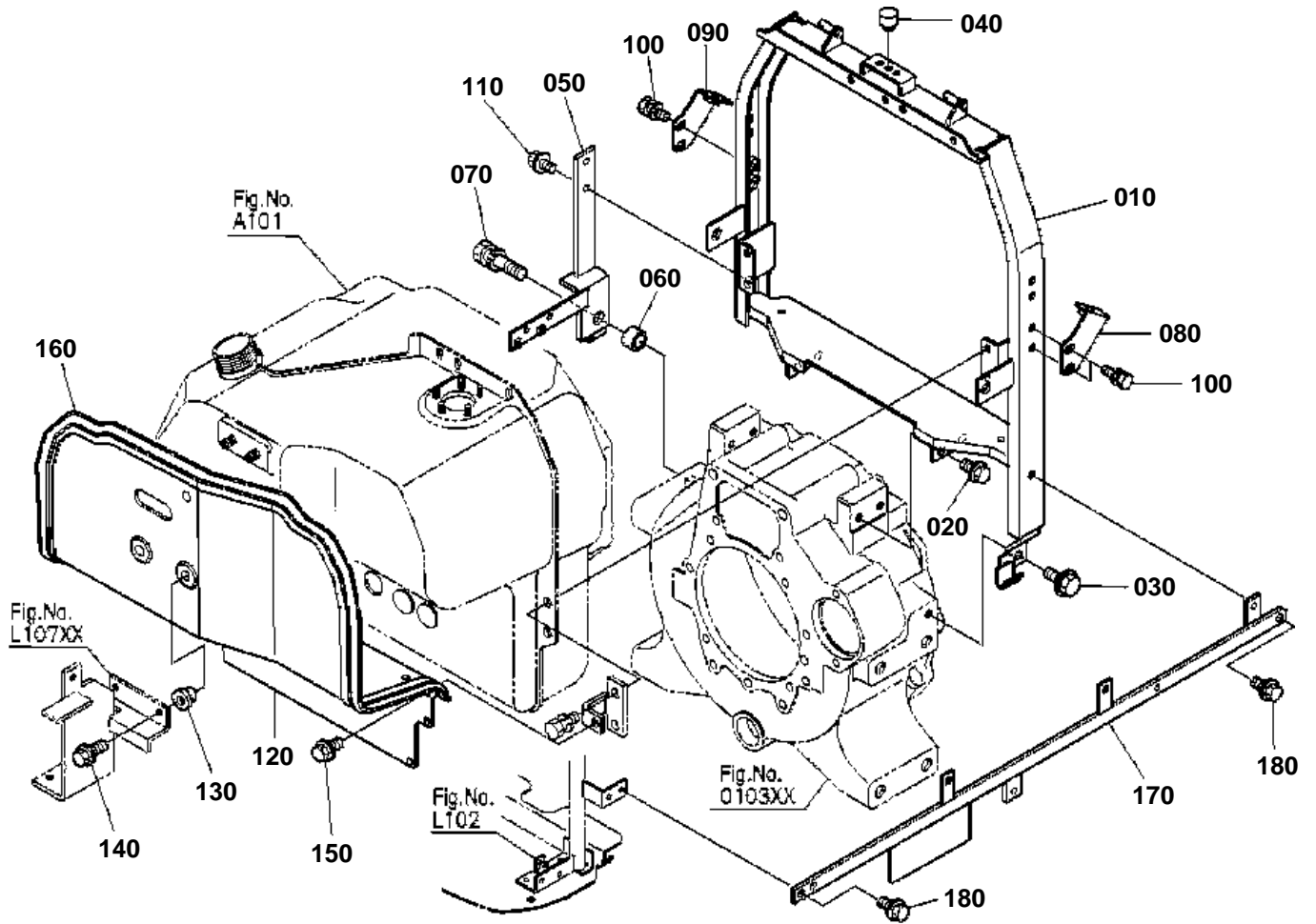
TD030-806-11

**SIDE COVER LOWER**

↔ Interchangeable; ≠ not interchangeable; ← new for old; → old for new

REF.No	Part No.	Description	Q'ty	S.No.	I/C	REMARKS	Weight (kgf)	Weight (lb)
010	TD030-41363	COVER RH	1	≤43513			0	0
010	TD030-41364	COVER RH	1	≥43514	←		2.6	5.72
020	TD030-99560	KIT COVER LH(A)	1	≤43513		ENGLISH	0	0
020	TD030-99562	KIT COVER LH(A)	1	≥43514	←	ENGLISH	2.6	5.72
030	3F860-83840	HOLDER	4	≤35196			0.02	0.044
030	TD060-41380	HOLDER	4	≥35197	≠		0.018	0.0396
040	3F740-83850	HOLDER	8	≤35755			0.001	0.0022
040	32771-41460	PLATE RETAINER	8	≥35756	←		0.001	0.0022
050	3F740-83860	HOLDER RECEPTACLE	2	≤30880			0	0
050	TD060-41390	HOLDER RECEPTACLE	2	≥30881	←		0.011	0.0242
055	3F740-83860	HOLDER RECEPTACLE	2	≤30880			0	0
055	TD060-41390	HOLDER RECEPTACLE	2	≥30881	←		0.011	0.0242
060	T1060-41390	CUSHION	4				0.002	0.0044
070	TD060-30350	CUSSION HARNESS	1				0.017	0.0374
080	TD060-40150	SPONGE	2	≥30116			0.005	0.011
090	TD050-40130	SPONGE	2	≥30116			0.01	0.022
100	TA040-49650	LABEL START CAUTION	1			ENGLISH	0.004	0.0088
110	TD031-99560	KIT COVER LH(B)	1	≤43513		FRENCH	2.6	5.72
110	TD031-99562	KIT COVER LH(B)	1	≥43514	←	FRENCH	2.6	5.72
120	TA041-49650	LABEL START CAUTION	1			FRENCH	0.004	0.0088

SHUTTER PLATE [ROPS TYPE]



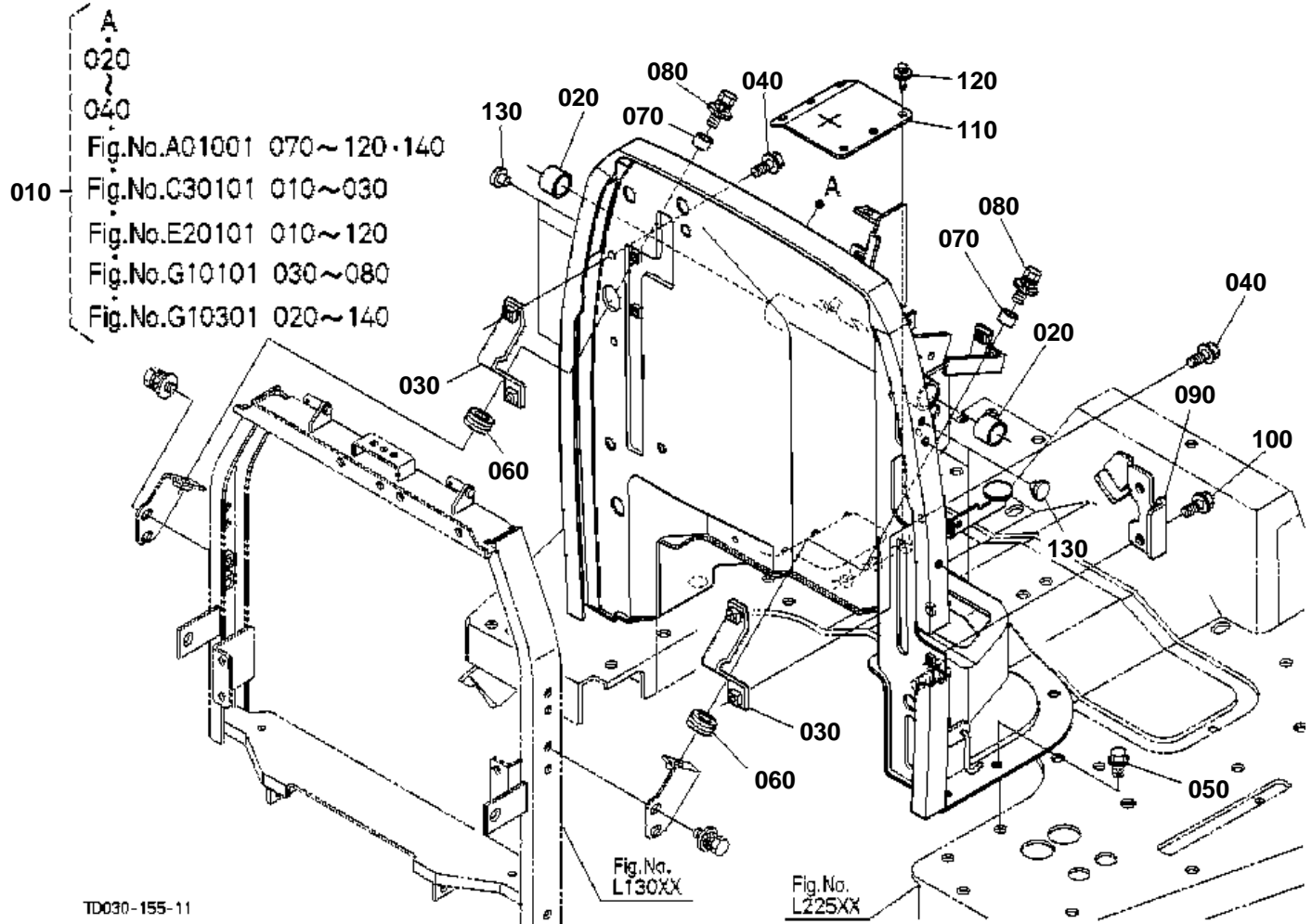
TD030-154-11

**SHUTTER PLATE [ROPS TYPE]**

↔ Interchangeable; ≠ not interchangeable; ← new for old; → old for new

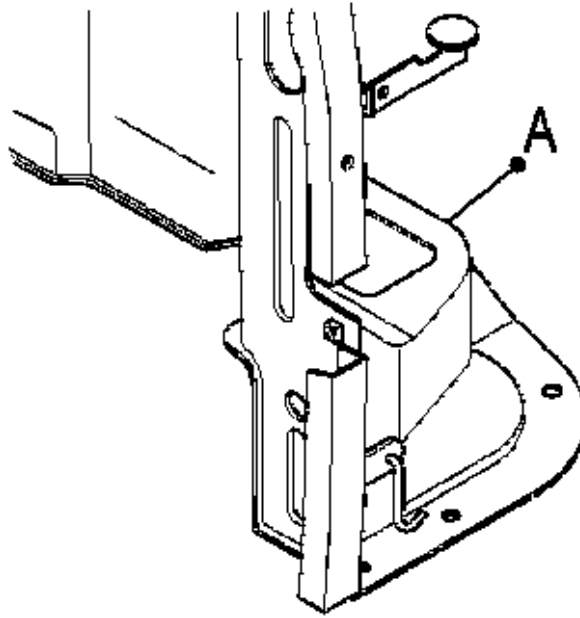
REF.No	Part No.	Description	Q'ty	S.No.	I/C	REMARKS	Weight (kgf)	Weight (lb)
010	TD050-42132	SUPPORT BONNET REAR	1				4.7	10.34
020	T1150-45610	BOLT	4				0.02	0.044
030	01774-61020	BOLT FLANGE	1				0.022	0.0484
040	37410-44330	CUSHION PEDAL	1				0.01	0.022
050	TD050-42160	SUPPORT RH	1				0.52	1.144
060	TD060-42170	COLLAR	1				0.031	0.0682
070	01133-51645	BOLT	1				0.102	0.2244
080	T1150-42212	PLATE	1				0.105	0.231
090	T1150-42272	PLATE	1				0.105	0.231
100	01123-50820	BOLT	4				0.011	0.0242
110	01754-50816	BOLT FLANGE	2				0.011	0.0242
120	T1060-42110	PLATE SHUTTER	1				2.3	5.06
130	34070-71390	NUT CUSHION	2				0.005	0.011
140	01754-50620	BOLT FLANGE	2				0.007	0.0154
150	01754-50612	BOLT FLANGE	2				0.005	0.011
160	T1060-42222	SHIELD	1				0.2	0.44
170	T1060-42260	STAY PILLAR	1	<=37369			0.71	1.562
170	T1060-42265	STAY PILLAR	1	>=37370	←		0.71	1.562
180	01754-50816	BOLT FLANGE	2				0.011	0.0242

PANEL FRAME [EXCEPT HST TYPE]



# OLD PARTS

S.No. ; A : <=10462, B : <=36466,  
C : <=31480, D : <=10181,  
E : <=32278



S.No. ; A : <=10954, B : <=41264,  
C : <=32877, D : <=10364,  
E : <=33767

010— A  
020  
040  
Fig.No.A01001 070~120  
Fig.No.C30101 010~030  
Fig.No.E20101 010~120  
Fig.No.G10101 030~080  
Fig.No.G10301 020~140

TD030-879-10

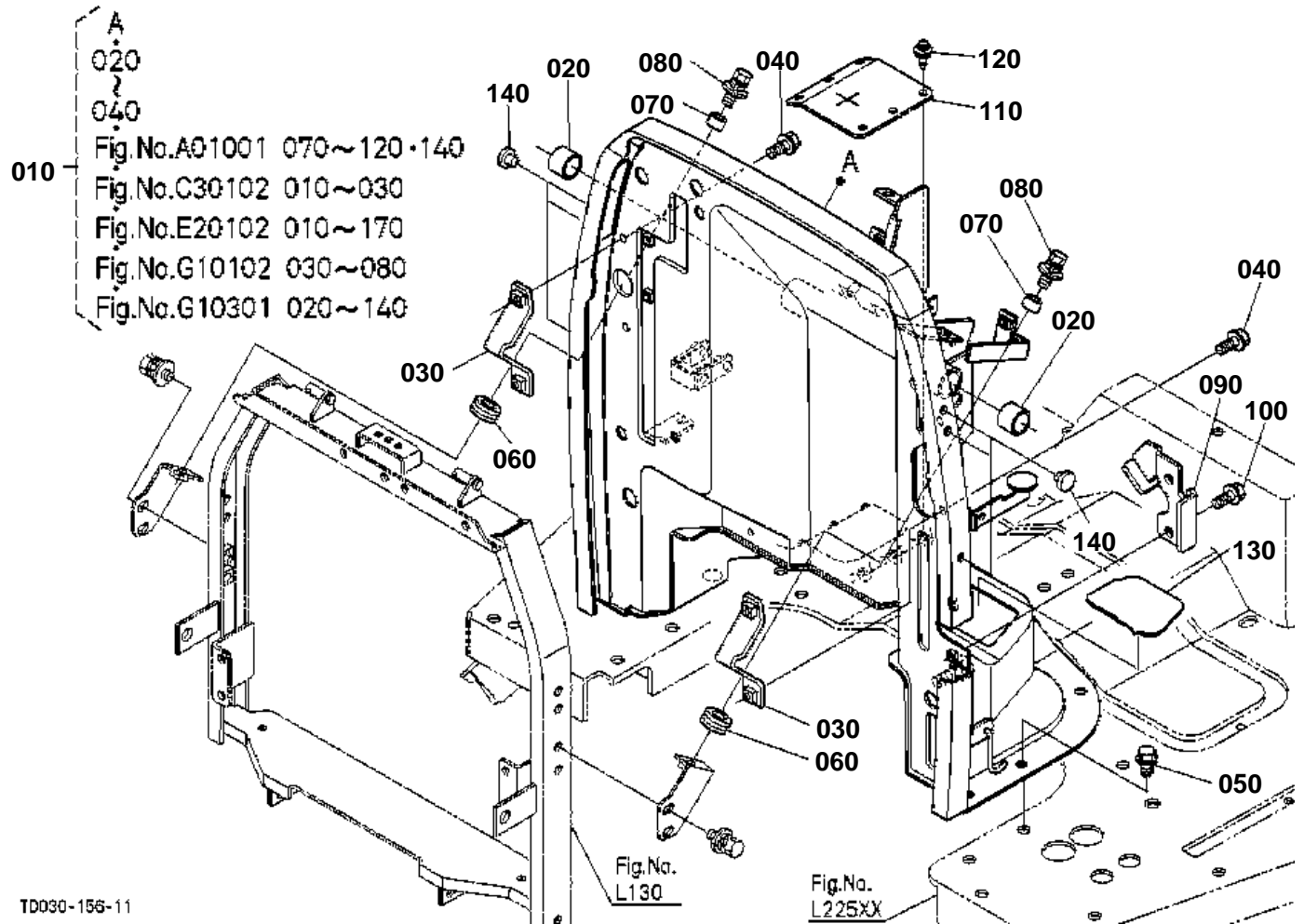




PANEL FRAME [EXCEPT HST TYPE]

↔ Interchangeable; ≠ not interchangeable; ← new for old; → old for new

REF.No	Part No.	Description	Q'ty	S.No.	I/C	REMARKS	Weight (kgf)	Weight (lb)
010	TD060-43203	ASSY FRAME PANEL	1	<=32969			0	0
010	TD060-43204	ASSY FRAME PANEL	1	>=32970	←		0	0
010	TD060-43205	ASSY FRAME PANEL	1	>=36467	←		27.5	60.5
010	TD050-43200	ASSY FRAME PANEL	1		↔		0	0
010	TD050-43203	ASSY FRAME PANEL	1		←	NEW PART	0	0
020	TD060-44080	BUSH	2				0.002	0.0044
030	TD060-43230	STAY.PANEL FRAME	2				0.11	0.242
040	01754-50816	BOLT FLANGE	4				0.011	0.0242
050	T1060-47370	BOLT	8				0.011	0.0242
060	T1150-42040	CUSHION	2	<=35755			0.007	0.0154
060	T1150-42042	CUSHION	2	>=35756	←		0.007	0.0154
070	T1150-42290	COLLAR	2				0.003	0.0066
080	01127-50830	BOLT	2				0.023	0.0506
090	TD060-15902	SUPPORT HARNESS	1				0.11	0.242
100	01754-50816	BOLT FLANGE	2				0.011	0.0242
110	TD060-43040	COVER PANEL FRAME	1				0.05	0.11
120	T0270-87602	RIVET PUSH	6				0.002	0.0044
130	38240-29570	PLUG	6				0.001	0.0022



TD030-156-11

# OLD PARTS

S.No. ; B : <=32969, C : <=30135,  
E : <=30084

010 { A·020~040  
Fig.No.A01001 070~120  
Fig.No.C30102 010~030  
Fig.No.E20102 010~090  
                  ·150~170  
Fig.No.G10102 030~080  
Fig.No.G10301 020~140

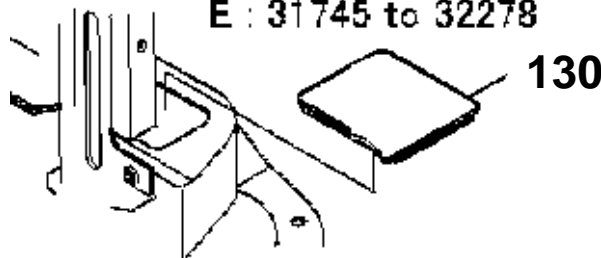
S.No. ; B : 32970 to 41264,  
C : 30136 to 32877,  
E : 30085 to 33767

010 { A·020~040  
Fig.No.A01001 070~120  
Fig.No.C30102 010~030  
Fig.No.E20102 010~170  
Fig.No.G10102 030~080  
Fig.No.G10301 020~140

S.No. ; B : <=35755, C : <=31192,  
E : <=31744



S.No. ; B : 35756 to 36466,  
C : 31193 to 31480,  
E : 31745 to 32278



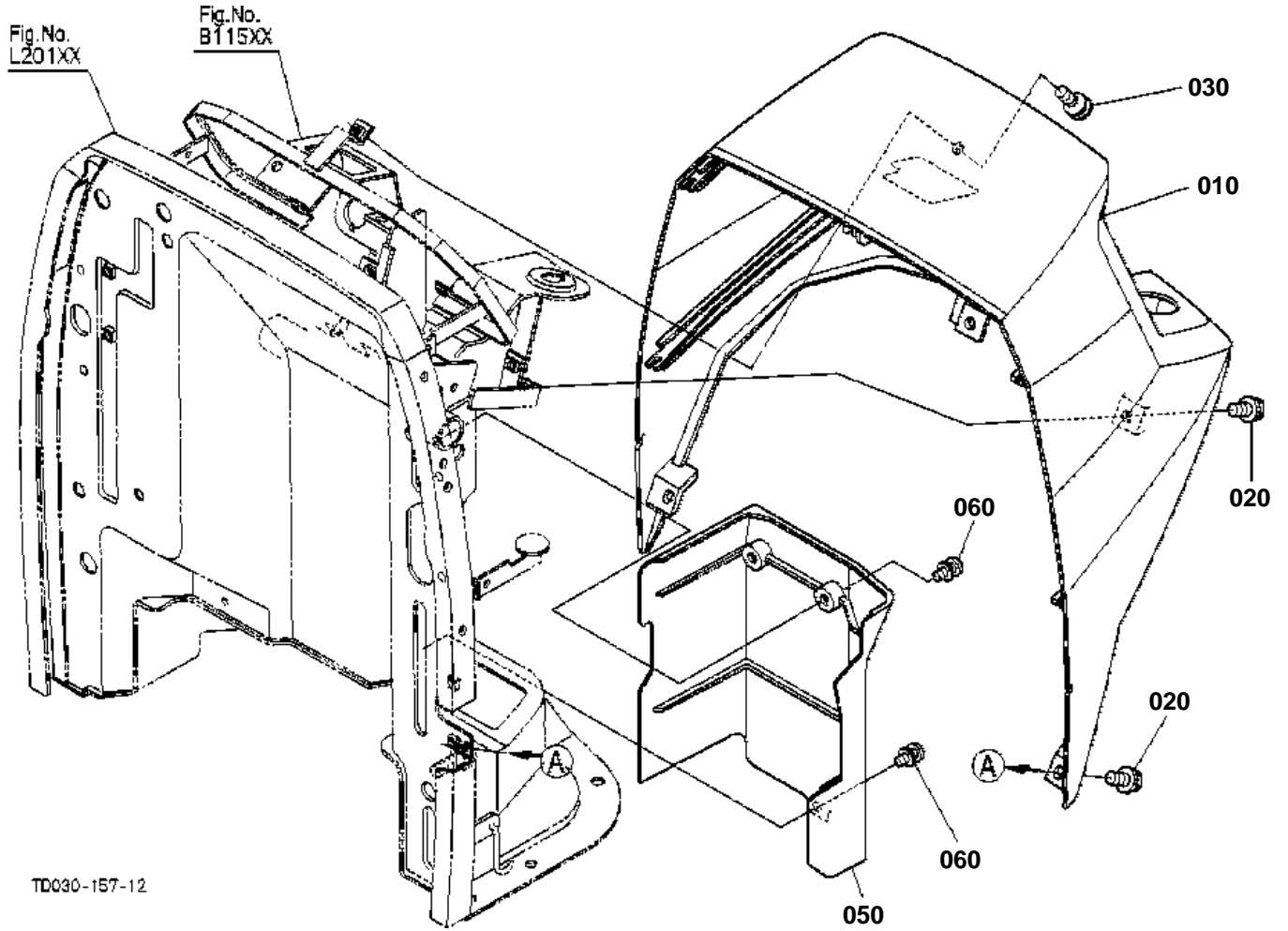
TD030-872-10



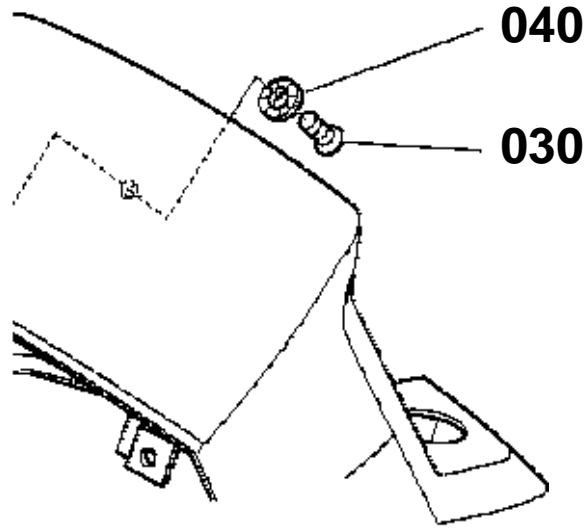
PANEL FRAME [HST TYPE] [ROPS TYPE]

↔ Interchangeable; ≠ not interchangeable; ← new for old; → old for new

REF.No	Part No.	Description	Q'ty	S.No.	I/C	REMARKS	Weight (kgf)	Weight (lb)
010	TD060-57304	ASSY FRAME PANEL	1	≤32969			0	0
010	TD060-57306	ASSY FRAME PANEL	1	≥32970	←		0	0
010	TD060-57307	ASSY FRAME PANEL	1	≥35197	←		0	0
010	TD060-57800	ASSY FRAME PANEL	1		↔		26.2	57.64
010	TD060-57806	ASSY FRAME PANEL	1		←	NEW PART	26.2	57.64
020	TD060-44080	BUSH	2				0.002	0.0044
030	TD060-43230	STAY.PANEL FRAME	2				0.11	0.242
040	01754-50816	BOLT FLANGE	4				0.011	0.0242
050	T1060-47370	BOLT	8				0.011	0.0242
060	T1150-42040	CUSHION	2	≤35755			0.007	0.0154
060	T1150-42042	CUSHION	2	≥35756	←		0.007	0.0154
070	T1150-42290	COLLAR	2				0.003	0.0066
080	01127-50830	BOLT	2				0.023	0.0506
090	TD060-15902	SUPPORT HARNESS	1				0.11	0.242
100	01754-50816	BOLT FLANGE	2				0.011	0.0242
110	TD060-43040	COVER PANEL FRAME	1				0.05	0.11
120	T0270-87602	RIVET PUSH	6				0.002	0.0044
130	TD060-57550	GROMMET	1	≤35755			0	0
130	TD060-57552	GROMMET	1	≥35756	←		0.05	0.11
130	TD060-57553	GROMMET	1	≥36467	≠		0.05	0.11
140	38240-29570	PLUG	6				0.001	0.0022



# OLD PARTS



TD052-810-10

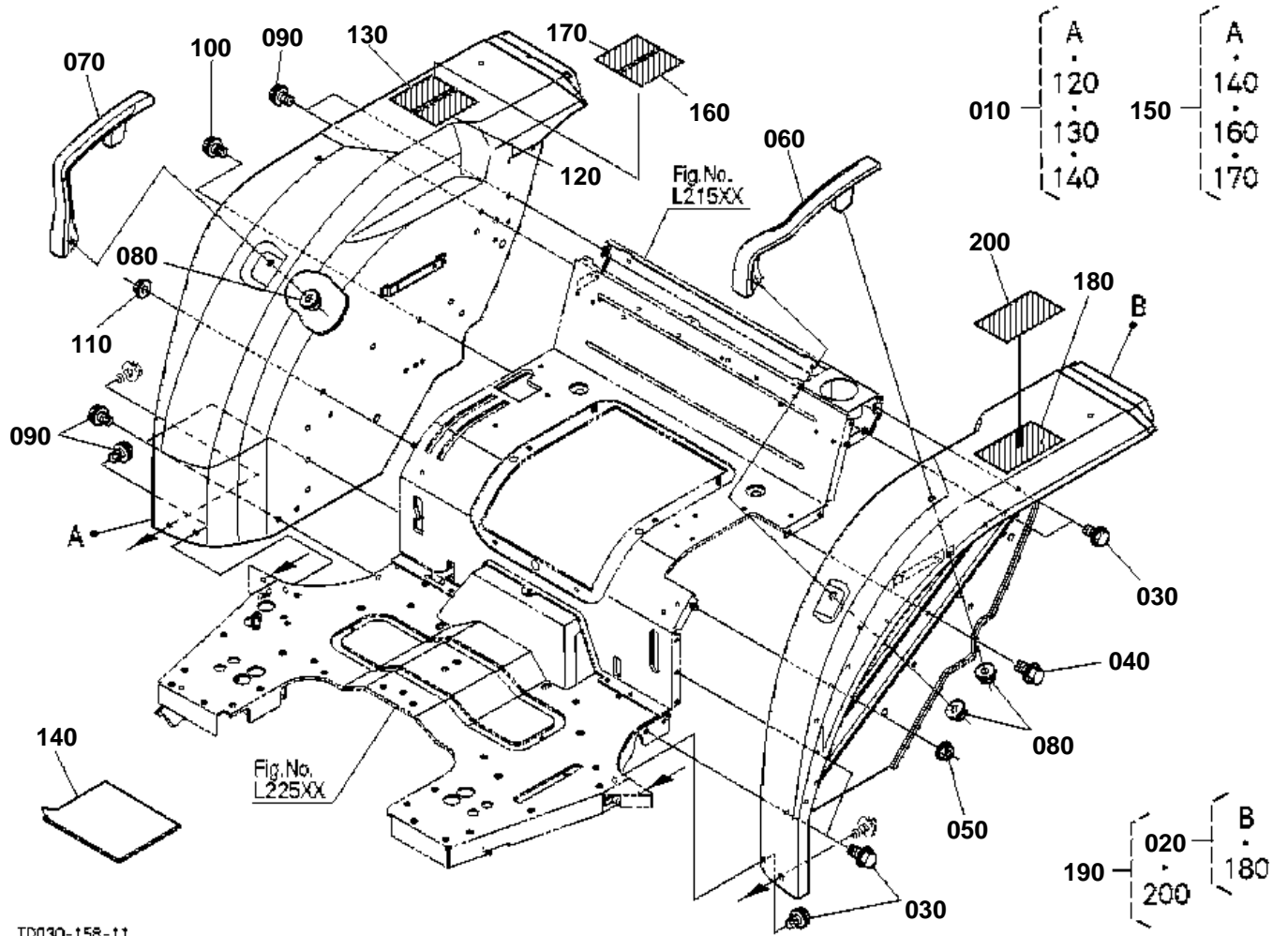


PANEL COVER [ROPS TYPE]

↔ Interchangeable; ≠ not interchangeable; ← new for old; → old for new

REF.No	Part No.	Description	Q'ty	S.No.	I/C	REMARKS	Weight (kgf)	Weight (lb)
010	TD060-43010	COVER METER	1				1.3	2.86
020	30810-18870	BOLT FLANGE	4				0.012	0.0264
030	03056-60512	SCREW CSK-HD	1	≤44980			0.002	0.0044
030	T1270-43070	SCREW CSK-HD	1	≥44981	←		0	0
040	04414-50050	WASHER TOOTHED	1	≤44980			0.001	0.0022
050	TD060-43030	COVER PANEL UNDER	1				0.295	0.649
060	03034-50616	SCREW WITH WASHER	3				0.006	0.0132

FENDER [ROPS TYPE]



T0030-158-11



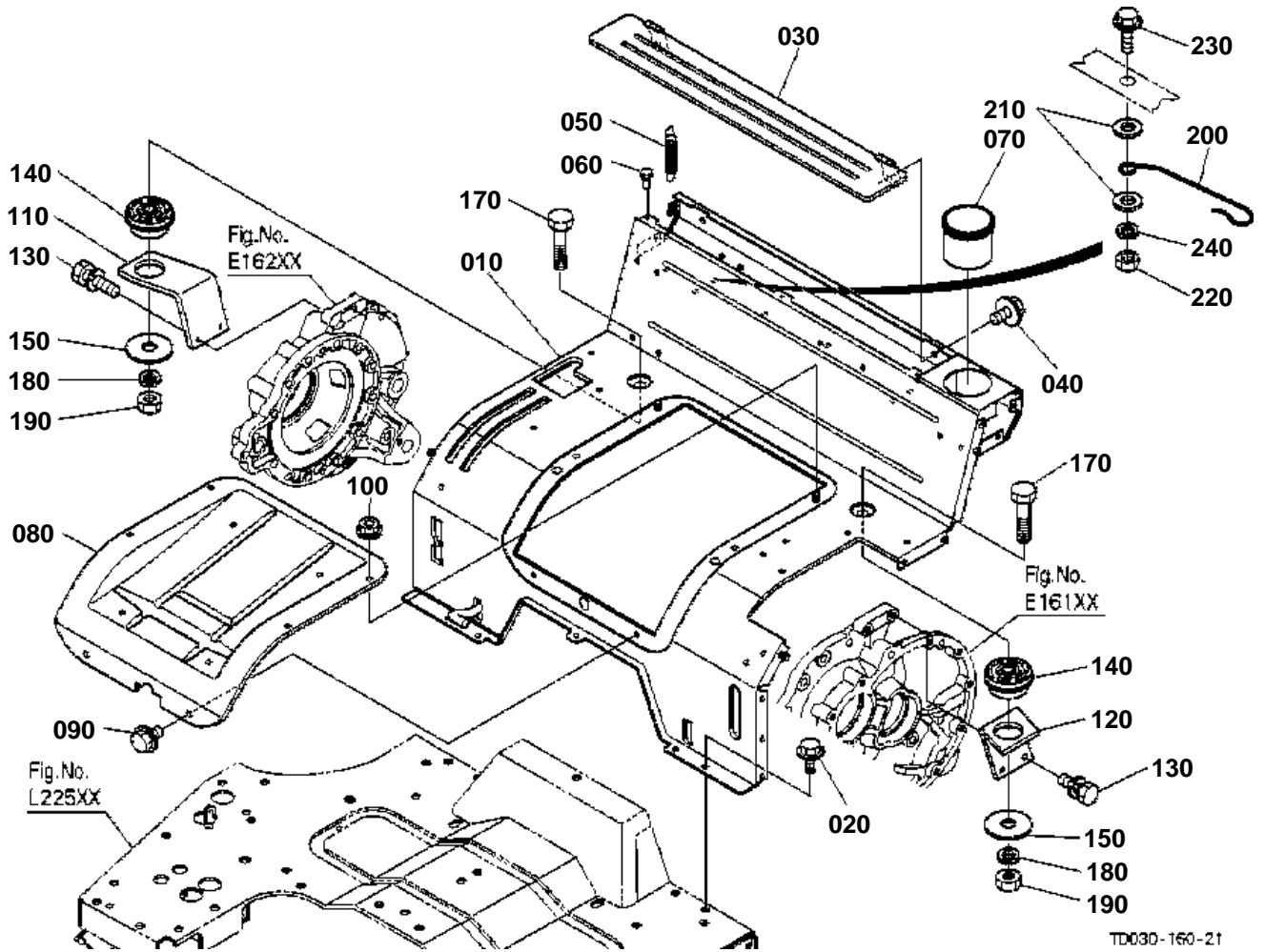


FENDER [ROPS TYPE]

↔ interchangeable; ≠ not interchangeable; ← new for old; → old for new

REF.No	Part No.	Description	Q'ty	S.No.	I/C	REMARKS	Weight (kgf)	Weight (lb)
010	TD060-99710	KIT FENDER RH (A)	1			ENGLISH	9.5	20.9
020	TD060-99530	KIT FENDER LH (A)	1			ENGLISH	9.5	20.9
030	T1060-47370	BOLT	10				0.011	0.0242
040	01754-50818	BOLT FLANGE	2				0.011	0.0242
050	02751-50080	NUT FLANGE	1				0.006	0.0132
060	T1060-29440	GRIP LH	1				0.47	1.034
070	T1060-29450	GRIP RH	1				0.47	1.034
080	02771-60100	NUT FLANGE	4				0.01	0.022
090	T1060-47370	BOLT	11				0.011	0.0242
100	01754-50818	BOLT FLANGE	2				0.011	0.0242
110	02751-50080	NUT FLANGE	1				0.006	0.0132
120	TA040-49320	LABEL ROPS WARNING	1			ENGLISH RIGIO ROPS TYPE	0.001	0.0022
120	TA240-98480	LABEL ROPS WARNING	1			ENGLISH FOLDABLE ROPS TYPE	0.005	0.011
130	TA140-49330	LABEL SHUTTLE	1			ENGLISH MANUAL T/M TYPE	0.005	0.011
130	TA140-49920	LABEL SHUTTLE	1			ENGLISH GST TYPE	0.005	0.011
130	TA240-49330	LABEL PARKING	1			ENGLISH HST TYPE	0.005	0.011
140	99999-99999	MANUAL ASSEMBLY	1				0	0
150	TD061-99710	KIT FENDER RH (B)	1			FRENCH	9.5	20.9
160	TA040-49150	LABEL ROPS WARNING	1			FRENCH RIGIO ROPS TYPE	0.003	0.0066
160	3A112-98480	LABEL ROPS WARNING	1			FRENCH FOLDABLE ROPS TYPE	0.004	0.0088
170	TA141-49330	LABEL SHUTTLE	1			FRENCH MANUAL T/M TYPE	0.005	0.011
170	TA141-49920	LABEL SHUTTLE	1			FRENCH GST TYPE	0.005	0.011
170	TA241-49330	LABEL PARKING WARNIN	1			FRENCH HST TYPE	0.005	0.011
180	35260-34914	LABEL SAFETY	1			ENGLISH	0.005	0.011
190	TD061-99530	KIT FENDER LH (B)	1			FRENCH	9.5	20.9
200	TA041-65702	LABEL SAFETY	1			FRENCH	0.01	0.022

FLOOR SEAT [EXCEPT HST TYPE]



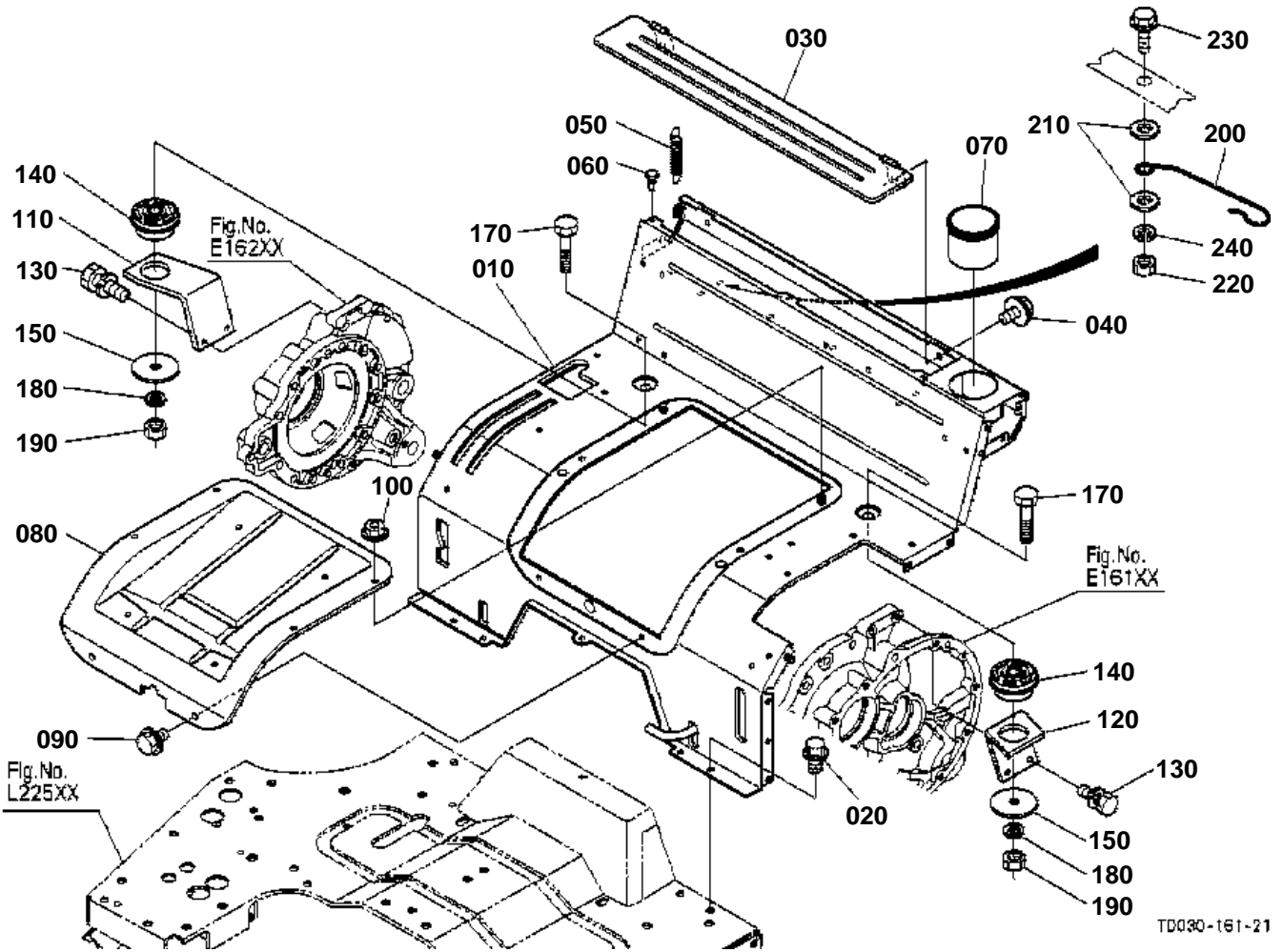


FLOOR SEAT [EXCEPT HST TYPE]

↔ Interchangeable; ≠ not interchangeable; ← new for old; → old for new

REF.No	Part No.	Description	Q'ty	S.No.	I/C	REMARKS	Weight (kgf)	Weight (lb)
010	TD050-47202	COVER FLOOR SEAT	1	<=30880			0	0
010	TD050-47204	COVER FLOOR SEAT	1	>=30881	←		0	0
010	TD050-47205	COVER FLOOR SEAT	1	>=42573	←		8	17.6
020	T1060-47370	BOLT	5				0.011	0.0242
030	TD060-47260	COVER TOOLS BOX	1				0.73	1.606
040	01754-50812	BOLT FLANGE	2				0.01	0.022
050	50400-51210	SPRING CORD STRAIGHT	1				0.015	0.033
060	36330-83120	CUSHION	3				0.001	0.0022
070	TD060-47290	HOLDER CUP	1				0.09	0.198
080	TD060-47280	COVER FLOOR SEAT UP.	1				2.5	5.5
090	01754-50812	BOLT FLANGE	4				0.01	0.022
100	02751-50080	NUT FLANGE	2				0.006	0.0132
110	TD050-47210	SUPPORT FLOOR SEAT R	1				1.47	3.234
120	TD050-47220	SUPPORT FLOOR SEAT L	1				1.24	2.728
130	01133-51025	BOLT	4				0.023	0.0506
140	T1060-47310	CUSHION	2				0.155	0.341
150	T1060-47320	WASHER	2				0.104	0.2288
160	99999-99999	BLANK	0				0	0
170	01173-51465	BOLT	2				0.092	0.2024
180	04512-60140	WASHER SPRING	2				0.008	0.0176
190	02176-50140	NUT	2				0.014	0.0308
200	TA140-79420	HOLDER	1				0.065	0.143
210	04015-60080	WASHER PLAIN	2				0.01	0.022
220	02552-50080	NUT LOCK	1				0.005	0.011
230	01754-50825	BOLT FLANGE	1				0.01	0.022
240	04512-60080	WASHER SPRING	1				0.002	0.0044

FLOOR SEAT [HST TYPE] [ROPS TYPE]



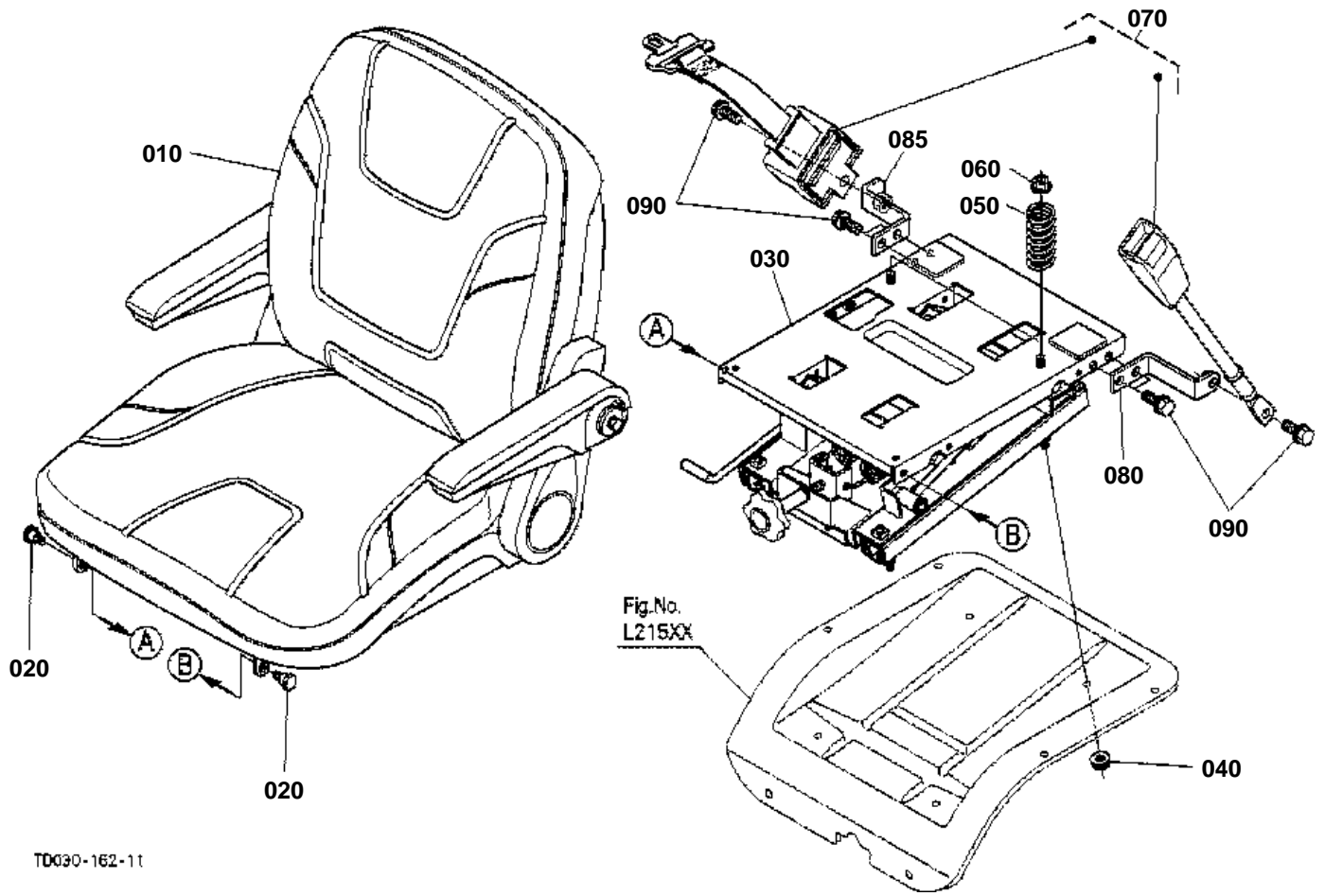
TD030-161-21



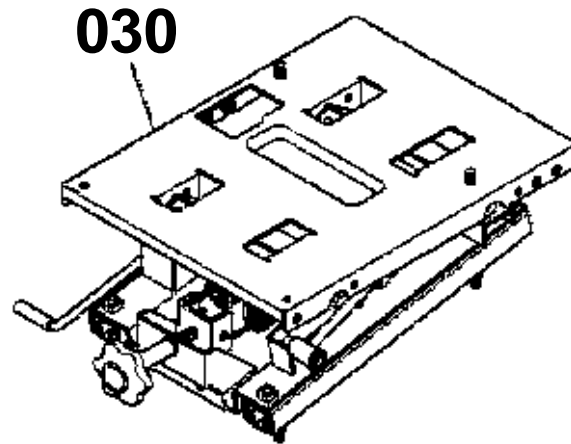
FLOOR SEAT [HST TYPE] [ROPS TYPE]

↔ Interchangeable; ≠ not interchangeable; ← new for old; → old for new

REF.No	Part No.	Description	Q'ty	S.No.	I/C	REMARKS	Weight (kgf)	Weight (lb)
010	TD050-57512	COVER FLOOR SEAT	1	<=30880			0	0
010	TD050-57514	COVER FLOOR SEAT	1	>=30881	←		0	0
010	TD050-57515	COVER FLOOR SEAT	1	>=42573	←		8	17.6
020	T1060-47370	BOLT	5				0.011	0.0242
030	TD060-47260	COVER TOOLS BOX	1				0.73	1.606
040	01754-50812	BOLT FLANGE	2				0.01	0.022
050	50400-51210	SPRING CORD STRAIGHT	1				0.015	0.033
060	36330-83120	CUSHION	3				0.001	0.0022
070	TD060-47290	HOLDER CUP	1				0.09	0.198
080	TD060-47280	COVER FLOOR SEAT UP.	1				2.5	5.5
090	01754-50812	BOLT FLANGE	4				0.01	0.022
100	02751-50080	NUT FLANGE	2				0.006	0.0132
110	TD050-47210	SUPPORT FLOOR SEAT R	1				1.47	3.234
120	TD050-47220	SUPPORT FLOOR SEAT L	1				1.24	2.728
130	01133-51025	BOLT	4				0.023	0.0506
140	T1060-47310	CUSHION	2				0.155	0.341
150	T1060-47320	WASHER	2				0.104	0.2288
160	99999-99999	BLANK	0				0	0
170	01173-51465	BOLT	2				0.092	0.2024
180	04512-60140	WASHER SPRING	2				0.008	0.0176
190	02176-50140	NUT	2				0.014	0.0308
200	TA140-79420	HOLDER	1				0.065	0.143
210	04015-60080	WASHER PLAIN	2				0.01	0.022
220	02552-50080	NUT LOCK	1				0.005	0.011
230	01754-50825	BOLT FLANGE	1				0.01	0.022
240	04512-60080	WASHER SPRING	1				0.002	0.0044



# OLD PARTS



TD030-807-10



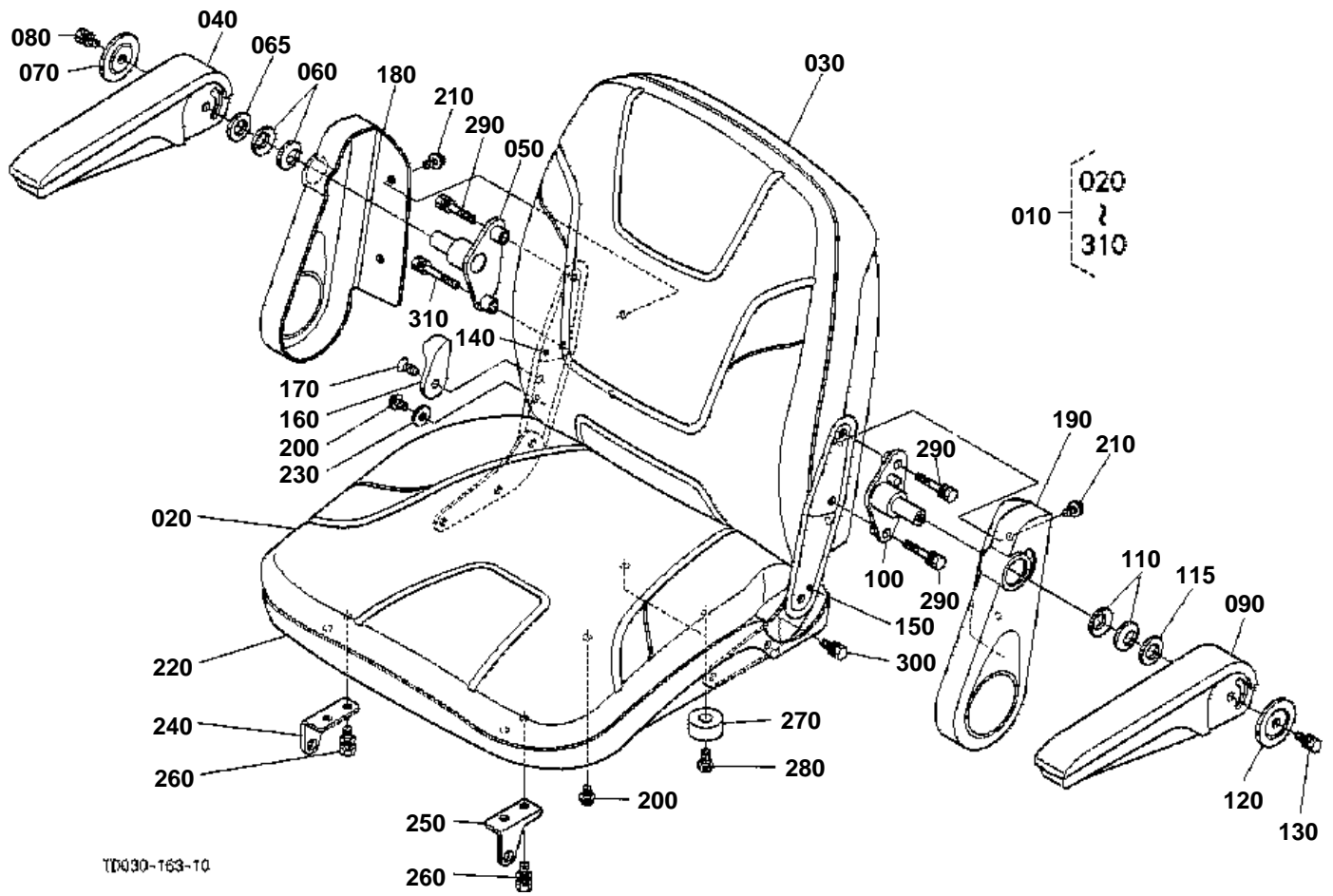
SEAT [ROPS TYPE]

↔ Interchangeable; ≠ not interchangeable; ← new for old; → old for new

REF.No	Part No.	Description	Q'ty	S.No.	I/C	REMARKS	Weight (kgf)	Weight (lb)
010	TD060-47700	ASSY SEAT	1				14.6	32.12
020	53650-21350	BOLT STOP	2				0.017	0.0374
030	TD060-47802	ASSY SUSPENSION	1	<=33968			0	0
030	TD060-47803	ASSY SUSPENSION	1	>=33969	←		0	0
030	TD060-47804	ASSY SUSPENSION	1	>=36742	←		12	26.4
040	02763-50080	NUT FLANGE	4				0.006	0.0132
050	TD060-47563	SPRING SEAT	2				0.03	0.066
060	02763-50080	NUT FLANGE	2				0.006	0.0132
070	K2561-56850	ASSY BELT SEAT	1	<=32969			0.81	1.782
070	TD060-47780	ASSY BELT SEAT	1	>=32970	←		0.805	1.771
080	TD060-47760	STAY SEAT BELT	1				0.17	0.374
085	TD060-47770	STAY SEAT BELT RH	1				0.19	0.418
090	01774-61020	BOLT FLANGE	6				0.022	0.0484
090	01774-51025	BOLT FLANGE	6		↔		0.02	0.044



SEAT [COMPONENT PARTS] [ROPS TYPE]



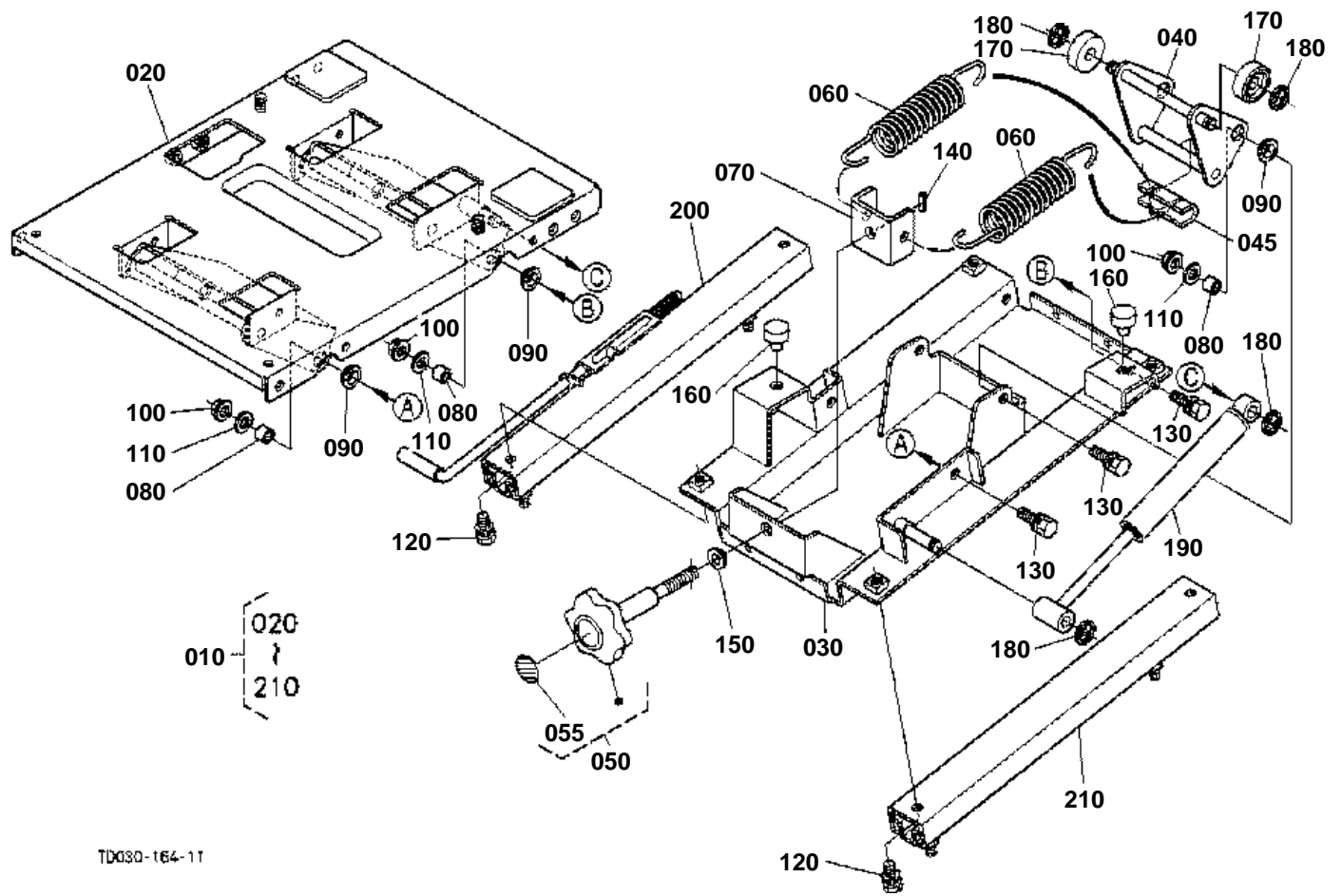


## SEAT [COMPONENT PARTS] [ROPS TYPE]

↔ interchangeable; ≠ not interchangeable; ← new for old; → old for new

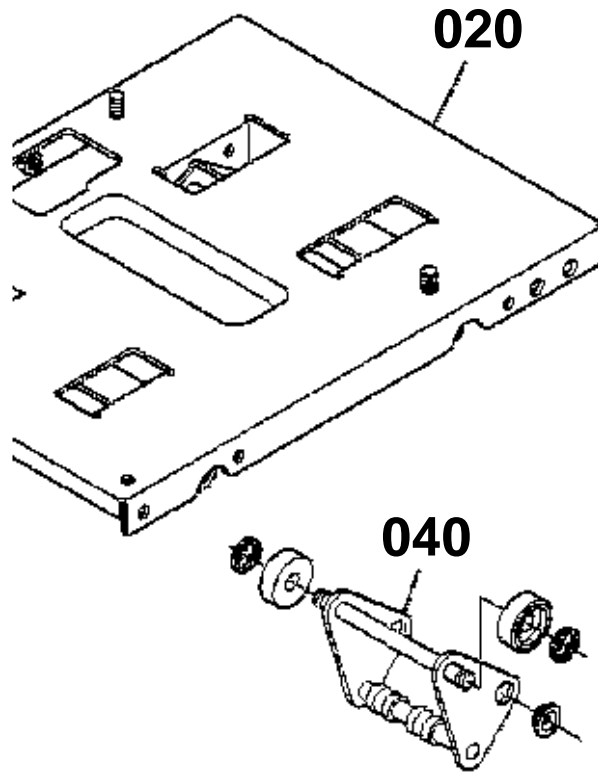
REF.No	Part No.	Description	Q'ty	S.No.	I/C	REMARKS	Weight (kgf)	Weight (lb)
010	TD060-47700	ASSY SEAT	1				14.6	32.12
020	TD060-47710	CUSHION SEAT	1				5	11
030	TD060-47720	CUSHION SEAT	1				5	11
040	TD060-48010	ARM-REST	1				0.7	1.54
050	TD060-48020	BRACKET ARM REST RH	1				0.43	0.946
060	TD060-48060	SPRING PLATE	2				0.001	0.0022
065	TD060-48080	WASHER	1				0.001	0.0022
070	TD060-48070	WASHER PLAIN	1				0.001	0.0022
080	01123-60816	BOLT	1				0.01	0.022
090	TD060-48010	ARM-REST	1				0.7	1.54
100	TD060-48030	BRACKET ARM REST LH	1				0.43	0.946
110	TD060-48060	SPRING PLATE	2				0.001	0.0022
115	TD060-48080	WASHER	1				0.001	0.0022
120	TD060-48070	WASHER PLAIN	1				0.001	0.0022
130	01123-60816	BOLT	1				0.01	0.022
140	3A259-85070	HINGE SEAT RH	1				1.01	2.222
150	3A259-85080	HINGE SEAT LH	1				0.3	0.66
160	TD060-47750	KNOB	1				0.015	0.033
170	TD060-47790	SCREW	1				0.002	0.0044
180	TD060-48110	COVER HINGE RH	1				0.15	0.33
190	TD060-48120	COVER HINGE LH	1				0.15	0.33
200	TD060-48150	SCREW	8				0.001	0.0022
210	TD060-48160	SCREW	4				0.002	0.0044
220	TD060-48130	COVER SEAT UNDER	1				0.645	1.419
230	04015-50050	WASHER PLAIN	1				0.004	0.0088
240	TD060-47950	BRACKET SEAT RH	1				0.075	0.165
250	TD060-47960	BRACKET SEAT LH	1				0.075	0.165
260	01123-60820	BOLT	4				0.015	0.033
270	TA140-47780	CUSHION	2				0.043	0.0946
280	03014-50820	SCREW PAN-HEAD	2				0.01	0.022
290	01123-60840	BOLT	3				0.015	0.033
300	01123-60825	BOLT	4				0.012	0.0264
310	01123-50855	BOLT	1				0.02	0.044

SEAT SUSPENSION [COMPONENT PARTS]



TD030-164-11

# OLD PARTS



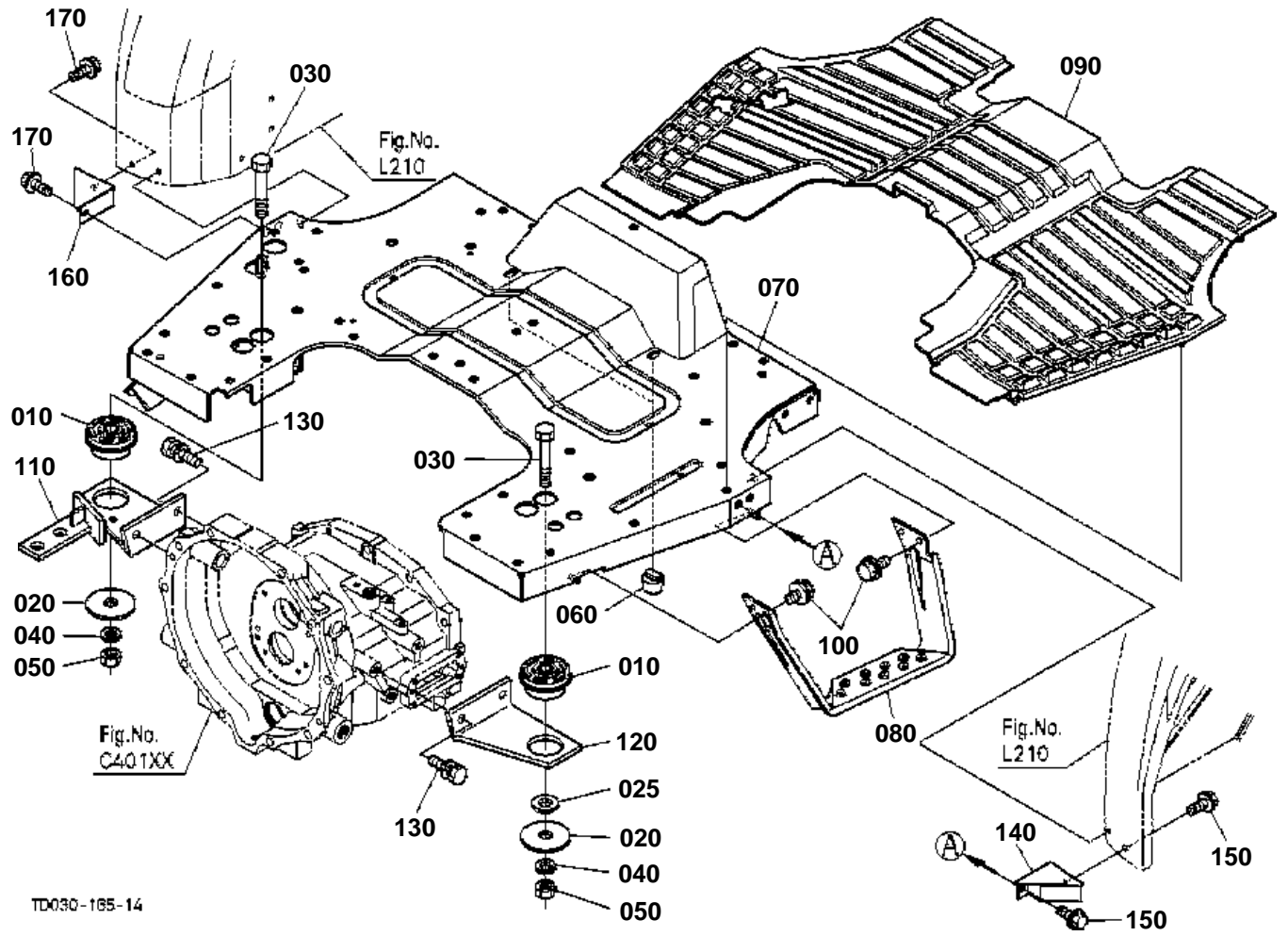
TD030-808-10



## SEAT SUSPENSION [COMPONENT PARTS]

↔ Interchangeable; ≠ not interchangeable; ← new for old; → old for new

REF.No	Part No.	Description	Q'ty	S.No.	I/C	REMARKS	Weight (kgf)	Weight (lb)
010	TD060-47802	ASSY SUSPENSION	1	<=33968			0	0
010	TD060-47803	ASSY SUSPENSION	1	>=33969	←		0	0
010	TD060-47804	ASSY SUSPENSION	1	>=36742	←		12	26.4
020	TD060-47812	BASE UPPER	1	<=33968			4.9	10.78
020	TD060-47813	BASE UPPER	1	>=33969	←		4.9	10.78
030	TD060-47820	BASE LOWER	1				3.2	7.04
040	TD060-47840	LINK	1	<=33968			0.29	0.638
040	TD060-47842	LINK	1	>=33969	≠		0.29	0.638
045	TD060-47930	BUSH SPRING	1	>=33969			0.01	0.022
050	TD060-47910	KNOB ADJUST	1				0.155	0.341
055	TA140-11900	LABEL ADJUST	1				0.001	0.0022
060	TD060-47880	SPRING	2				0.285	0.627
070	TD060-47890	HOLDER SPRING	1				0.11	0.242
080	TA140-11840	SPACER SUSPENSION	6				0.005	0.011
090	TA140-11960	BUSH SUSPENSION	6				0.003	0.0066
100	02751-50080	NUT FLANGE	6				0.006	0.0132
110	04013-60080	WASHER PLAIN	6				0.002	0.0044
120	01123-60820	BOLT	4				0.015	0.033
130	01123-60825	BOLT	6				0.012	0.0264
140	05411-00414	PIN SPRING	1				0.001	0.0022
150	TD060-47850	BUSH	1				0.004	0.0088
160	TA140-11920	CUSHION	2				0.006	0.0132
170	TD060-47860	ROLLER GUIDE	2				0.009	0.0198
180	04613-50080	CIR CLIP EXTERNAL	4				0.001	0.0022
190	TD060-47870	ABSORBER SHOCK	1				0.255	0.561
200	TD060-47730	RAIL SLIDE RH	1	<=36741			0	0
200	TD060-47732	RAIL SLIDE RH	1	>=36742	←		1.3	2.86
210	TD060-47740	RAIL SLIDE LH	1				0.9	1.98



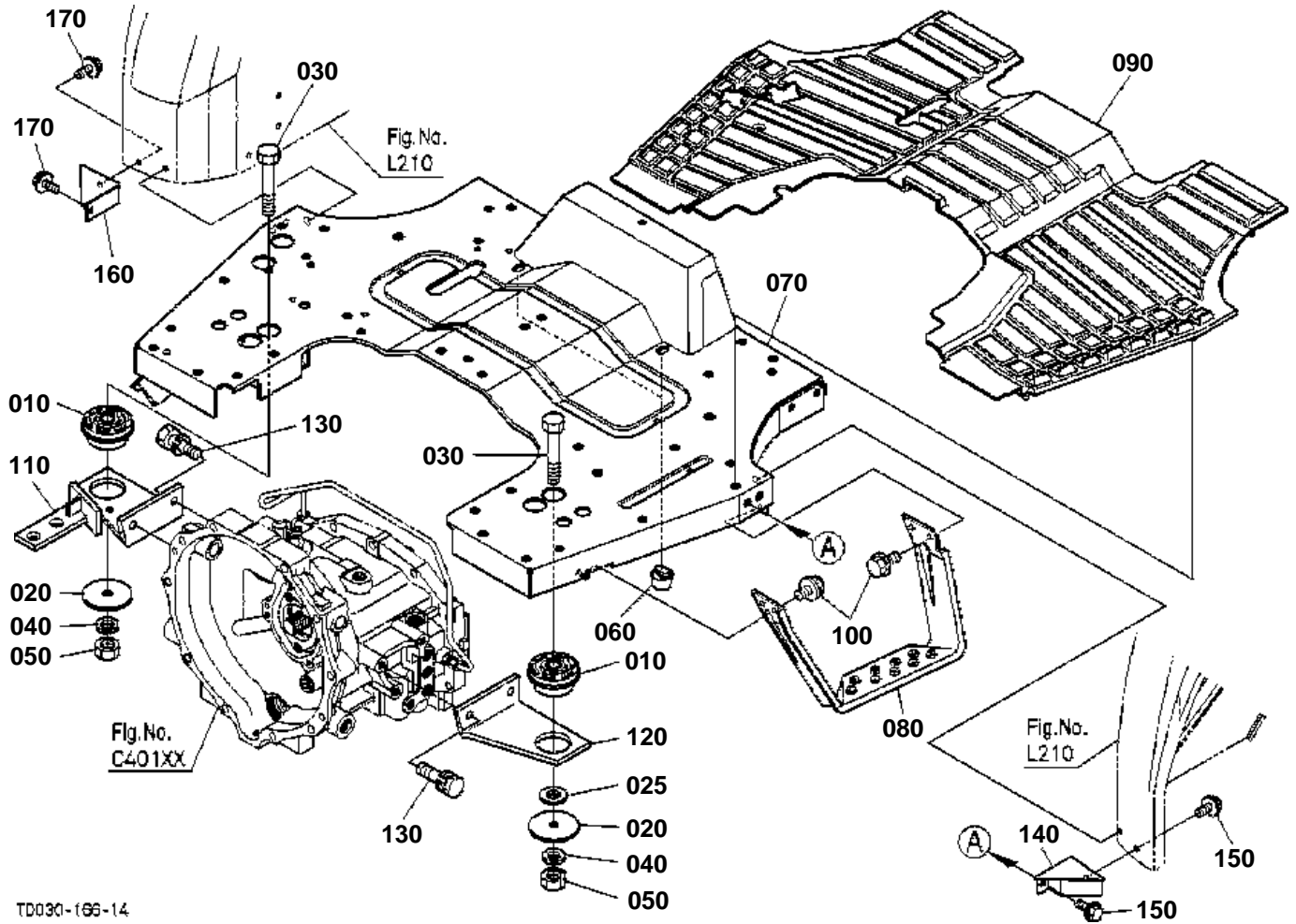
TD030-165-14



## STEP [EXCEPT HST TYPE]

↔ Interchangeable; ≠ not interchangeable; ← new for old; → old for new

REF.No	Part No.	Description	Q'ty	S.No.	I/C	REMARKS	Weight (kgf)	Weight (lb)
010	T1060-47310	CUSHION	2				0.155	0.341
020	T1060-47320	WASHER	2				0.104	0.2288
025	04011-50140	WASHER PLAIN	1				0.007	0.0154
030	01173-51465	BOLT	2				0.092	0.2024
040	04512-60140	WASHER SPRING	2				0.008	0.0176
050	02176-50140	NUT	2				0.014	0.0308
060	30400-17980	RUBBER BLOCK	2				0.01	0.022
070	TD050-47400	STEP	1				14.5	31.9
080	TA140-47470	STEP AID LH	1				0.985	2.167
090	TD060-47450	MAT STEP	1				1.5	3.3
100	01754-50812	BOLT FLANGE	4				0.01	0.022
110	TD050-47410	BRACKET STEP RH	1				1.8	3.96
120	T1060-47420	BRACKET STEP LH	1				1.24	2.728
130	01133-51230	BOLT	4				0.04	0.088
140	TD060-47490	STAY STEP LH	1				0.195	0.429
150	T1060-47370	BOLT	2				0.011	0.0242
160	TD060-47480	STAY STEP RH	1				0.195	0.429
170	T1060-47370	BOLT	2				0.011	0.0242



TD030-f66-14

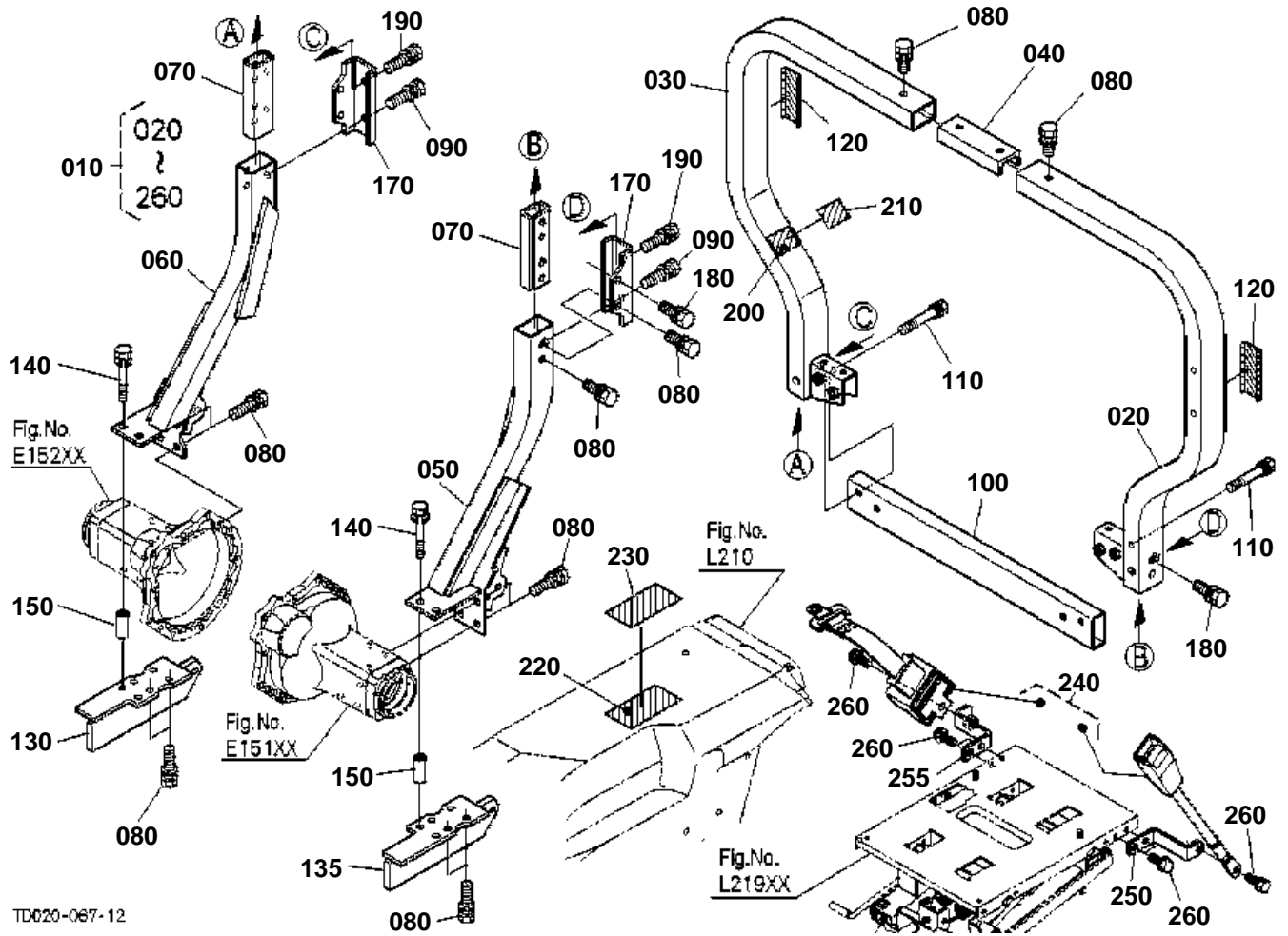




## STEP [HST TYPE] [ROPS TYPE]

↔ Interchangeable; ≠ not interchangeable; ← new for old; → old for new

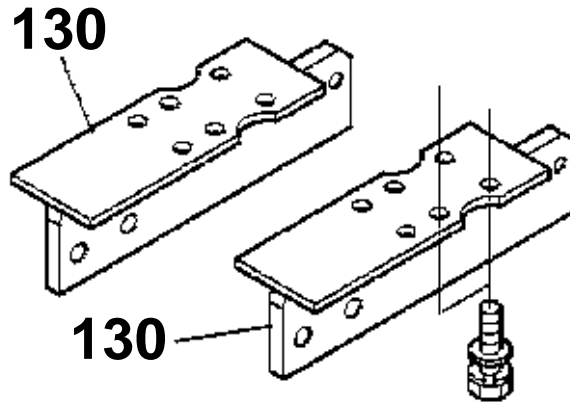
REF.No	Part No.	Description	Q'ty	S.No.	I/C	REMARKS	Weight (kgf)	Weight (lb)
010	T1060-47310	CUSHION	2				0.155	0.341
020	T1060-47320	WASHER	2				0.104	0.2288
025	04011-50140	WASHER PLAIN	1				0.007	0.0154
030	01173-51465	BOLT	2				0.092	0.2024
040	04512-60140	WASHER SPRING	2				0.008	0.0176
050	02176-50140	NUT	2				0.014	0.0308
060	30400-17980	RUBBER BLOCK	2				0.01	0.022
070	TD050-57470	STEP	1				14.5	31.9
080	TA140-47470	STEP AID LH	1				0.985	2.167
090	TD060-57520	MAT STEP	1				1.5	3.3
100	01754-50812	BOLT FLANGE	4				0.01	0.022
110	TD050-47410	BRACKET STEP RH	1				1.8	3.96
120	T1060-47420	BRACKET STEP LH	1				1.24	2.728
130	01133-51230	BOLT	4				0.04	0.088
140	TD060-47490	STAY STEP LH	1				0.195	0.429
150	T1060-47370	BOLT	2				0.011	0.0242
160	TD060-47480	STAY STEP RH	1				0.195	0.429
170	T1060-47370	BOLT	2				0.011	0.0242



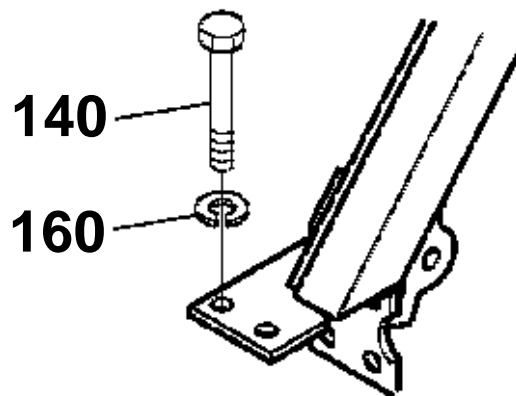
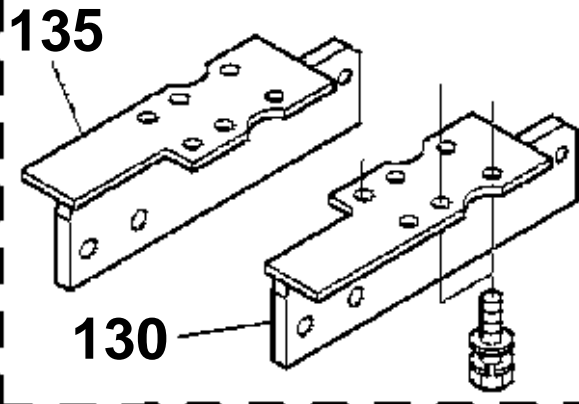
TD020-067-12

# OLD PARTS

S.No. ; A : <=10005, B : <=30115,  
C : <=30017



S.No. ; A : 10006 to 10954,  
B : 30116 to 41264,  
C : 30018 to 32877



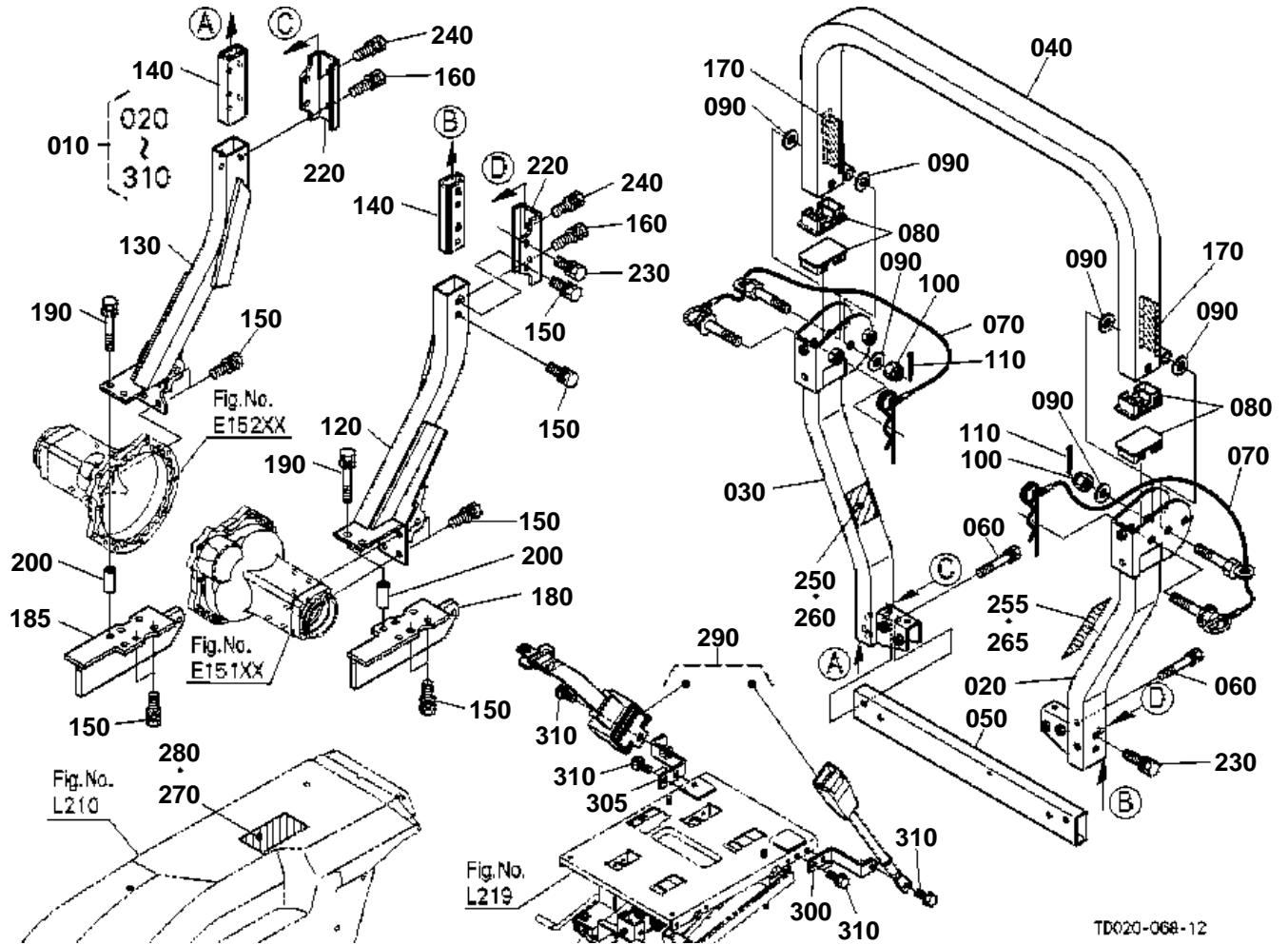
TD020-801-11



ROPS (RIGID TYPE) [ROPS TYPE]

↔ Interchangeable; ≠ not interchangeable; ← new for old; → old for new

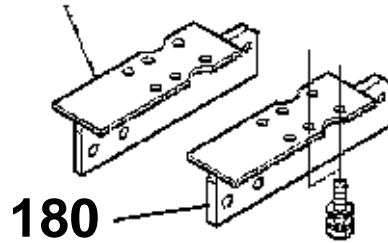
REF.No	Part No.	Description	Q'ty	S.No.	I/C	REMARKS	Weight (kgf)	Weight (lb)
010	TD020-70080	KIT ROPS REPLACEMENT	1			NOT SALE	0	0
020	99999-99999	FRAME UPPER LH	1				0	0
030	99999-99999	FRAME UPPER RH	1				0	0
040	99999-99999	CONNECTOR	1				0	0
050	99999-99999	FRAME LOWER LH	1				0	0
060	99999-99999	FRAME LOWER RH	1				0	0
070	99999-99999	PLATE JOINT	2				0	0
080	01138-51430	BOLT	22				0.07	0.154
090	01138-51440	BOLT	2				0.34	0.748
100	99999-99999	STAY JOINT	1				0	0
110	01138-51265	BOLT	4				0.34	0.748
120	6C140-54990	REFLECTOR LABEL	2				0.003	0.0066
130	TD020-48302	BRACKET STABILIZER	2	<=30115			5.3	11.66
130	TD020-48303	BRACKET STABILIZER L	1	>=30116	←		0	0
130	TD020-48304	BRACKET STABILIZER L	1	>=41265	←		5.3	11.66
135	TD020-48400	BRACKET STABILIZER R	1	>=30116			0	0
135	TD020-48402	BRACKET STABILIZER R	1	>=41265	←		5	11
140	TD020-48820	BOLT	4	<=38913			0.19	0.418
140	TD020-48822	BOLT	4	>=38914	←		0.19	0.418
150	TA120-48830	COLLER	4				0.016	0.0352
160	04512-60140	WASHER SPRING	4	<=38913			0.008	0.0176
170	99999-99999	PLATE	2				0	0
180	01138-51430	BOLT	4				0.07	0.154
190	01138-51440	BOLT	2				0.34	0.748
200	6C140-47460	LABEL ROPS WARNING	1			ENGLISH	0.001	0.0022
210	6C141-47460	LABEL ROPS WARNING	1			FRENCH	0.001	0.0022
220	TA040-49320	LABEL ROPS WARNING	1			ENGLISH	0.001	0.0022
230	TA040-49150	LABEL ROPS WARNING	1			FRENCH	0.003	0.0066
240	K2561-56850	ASSY BELT SEAT	1	<=32969			0.81	1.782
240	TD060-47780	ASSY BELT SEAT	1	>=32970	←		0.805	1.771
250	TD060-47760	STAY SEAT BELT	1				0.17	0.374
255	TD060-47770	STAY SEAT BELT RH	1				0.19	0.418
260	01774-61020	BOLT FLANGE	6				0.022	0.0484
260	01774-51025	BOLT FLANGE	6		↔		0.02	0.044



# OLD PARTS

S.No. ; A :  $\leq 10005$ , B :  $\leq 30115$ ,  
C :  $\leq 30017$

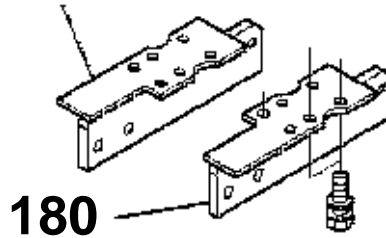
**180**



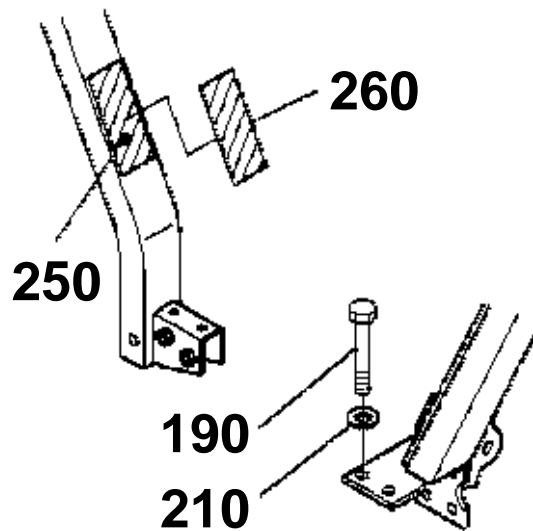
**180**

S.No. ; A : 10006 to 10954,  
B : 30116 to 41264,  
C : 30018 to 32877

**185**



**180**



TD020-802-11



ROPS (FOLDABLE TYPE) [ROPS TYPE]

↔ Interchangeable; ≠ not interchangeable; ← new for old; → old for new

REF.No	Part No.	Description	Q'ty	S.No.	I/C	REMARKS	Weight (kgf)	Weight (lb)
010	TD020-48530	KIT ROPS REPLACEMENT	1			NOT SALE	0	0
020	99999-99999	COMP.FRAME LH	1				0	0
030	99999-99999	COMP.FRAME RH	1				0	0
040	99999-99999	COMP.FRAME UPPER	1				0	0
050	99999-99999	STAY JOINT	1				0	0
060	01138-51265	BOLT	4				0.34	0.748
070	TA240-48752	SET BOLT	2				0.435	0.957
080	TC050-48772	COVER ROPS	4	≤30115			0.03	0.066
080	TC050-48773	COVER ROPS	4	≥30116	←		0.03	0.066
090	04013-60160	WASHER PLAIN	6				0.01	0.022
100	02254-50160	NUT	2				0.04	0.088
110	05511-50430	PIN SPLIT	2				0.004	0.0088
120	99999-99999	FRAME LOWER LH	1				0	0
130	99999-99999	FRAME LOWER RH	1				0	0
140	99999-99999	PLATE JOINT	2				0	0
150	01138-51430	BOLT	20				0.07	0.154
160	01138-51440	BOLT	2				0.34	0.748
170	6C140-54990	REFLECTOR LABEL	2				0.003	0.0066
180	TD020-48302	BRACKET STABILIZER	2	≤30115			5.3	11.66
180	TD020-48303	BRACKET STABILIZER L	1	≥30116	←		0	0
180	TD020-48304	BRACKET STABILIZER L	1	≤41265	←		5.3	11.66
185	TD020-48400	BRACKET STABILIZER R	1	≥30116	←		0	0
185	TD020-48402	BRACKET STABILIZER R	1	≥41265	←		5	11
190	TD020-48820	BOLT	4	≤38913			0.19	0.418
190	TD020-48822	BOLT	4	≥38914	←		0.19	0.418
200	TA120-48830	COLLER	4				0.016	0.0352
210	04512-60140	WASHER SPRING	4	≤38913			0.008	0.0176
220	99999-99999	PLATE	2				0	0
230	01138-51430	BOLT	4				0.07	0.154
240	01138-51440	BOLT	2				0.34	0.748
250	3A111-95540	LABEL ROPS CAUTION	1	≤39586		ENGLISH	0.003	0.0066
250	6C140-47460	LABEL ROPS WARNING	1	≥39587	≠	ENGLISH	0.001	0.0022
255	TD060-49270	LABEL ROPS CAUTION	1	≥39587		ENGLISH	0.002	0.0044
260	3A112-95540	LABEL ROPS CAUTION	1	≤39586		FRENCH	0.003	0.0066
260	6C141-47460	LABEL ROPS WARNING	1	≥39587	≠	FRENCH	0.001	0.0022
265	TD061-49270	LABEL ROPS CAUTION	1	≥39587		FRENCH	0.003	0.0066
270	TA240-98480	LABEL ROPS WARNING	1			ENGLISH	0.005	0.011
280	3A112-98480	LABEL ROPS WARNING	1			FRENCH	0.004	0.0088
290	K2561-56850	ASSY BELT SEAT	1	≤32969			0.81	1.782
290	TD060-47780	ASSY BELT SEAT	1	≥32970	←		0.805	1.771
300	TD060-47760	STAY SEAT BELT	1				0.17	0.374
305	TD060-47770	STAY SEAT BELT RH	1				0.19	0.418
310	01774-61020	BOLT FLANGE	6				0.022	0.0484
310	01774-51025	BOLT FLANGE	6		↔		0.02	0.044

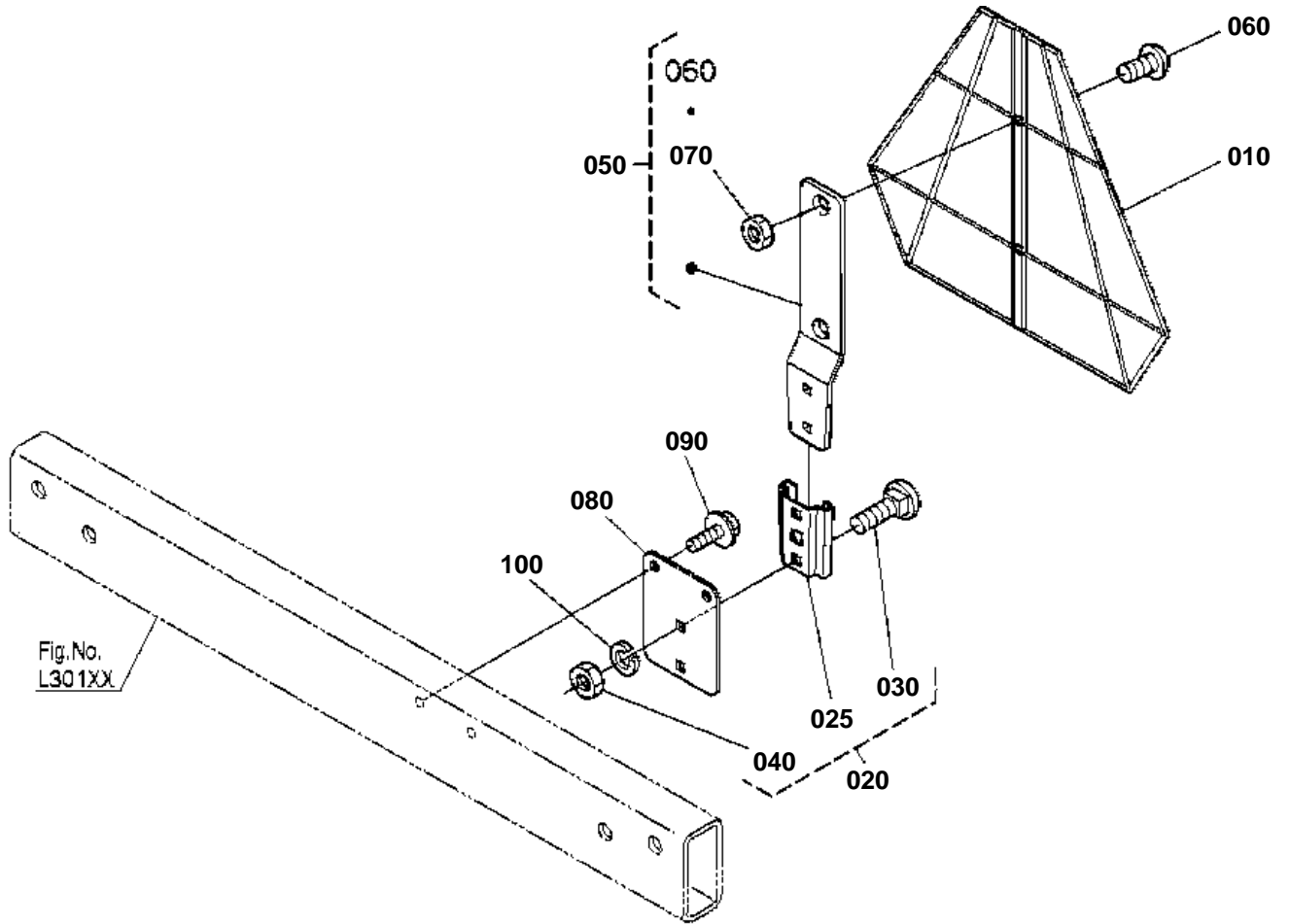


Fig.No.  
L301XX

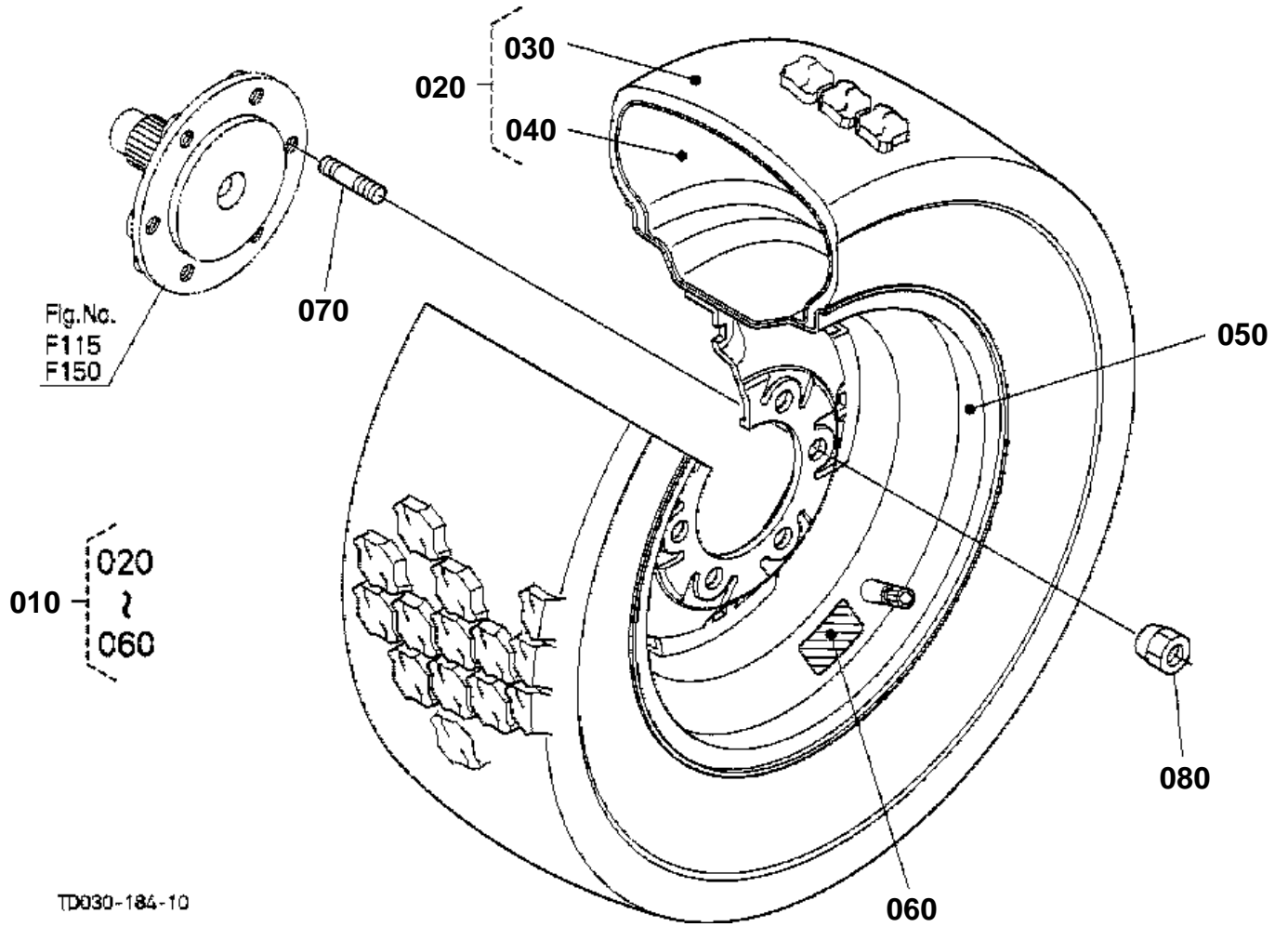
TD030-169-11



**SMV EMBLEM [ROPS TYPE]**

↔ interchangeable; ≠ not interchangeable; ← new for old; → old for new

REF.No	Part No.	Description	Q'ty	S.No.	I/C	REMARKS	Weight (kgf)	Weight (lb)
010	7L500-89910	SIGN SMV	1				0.32	0.704
020	7L500-89920	SOCKET SMV SIGN	1				0.1	0.22
025	7L500-89930	SOCKET-MTG SMV	1				0.05	0.11
030	7L500-89940	BOLT SQUARE NECK	2				0.01	0.022
040	7L500-89950	NUT	2				0.004	0.0088
050	7L500-89960	SPADE SMV SIGN	1				0.24	0.528
060	7L500-89980	VIS	2				0.02	0.044
070	7L500-89990	NUT	2				0.001	0.0022
080	TD060-29430	BRACKET SMV	1				0.21	0.462
090	01754-50812	BOLT FLANGE	2				0.01	0.022
100	04512-60080	WASHER SPRING	2	>=39587			0.002	0.0044

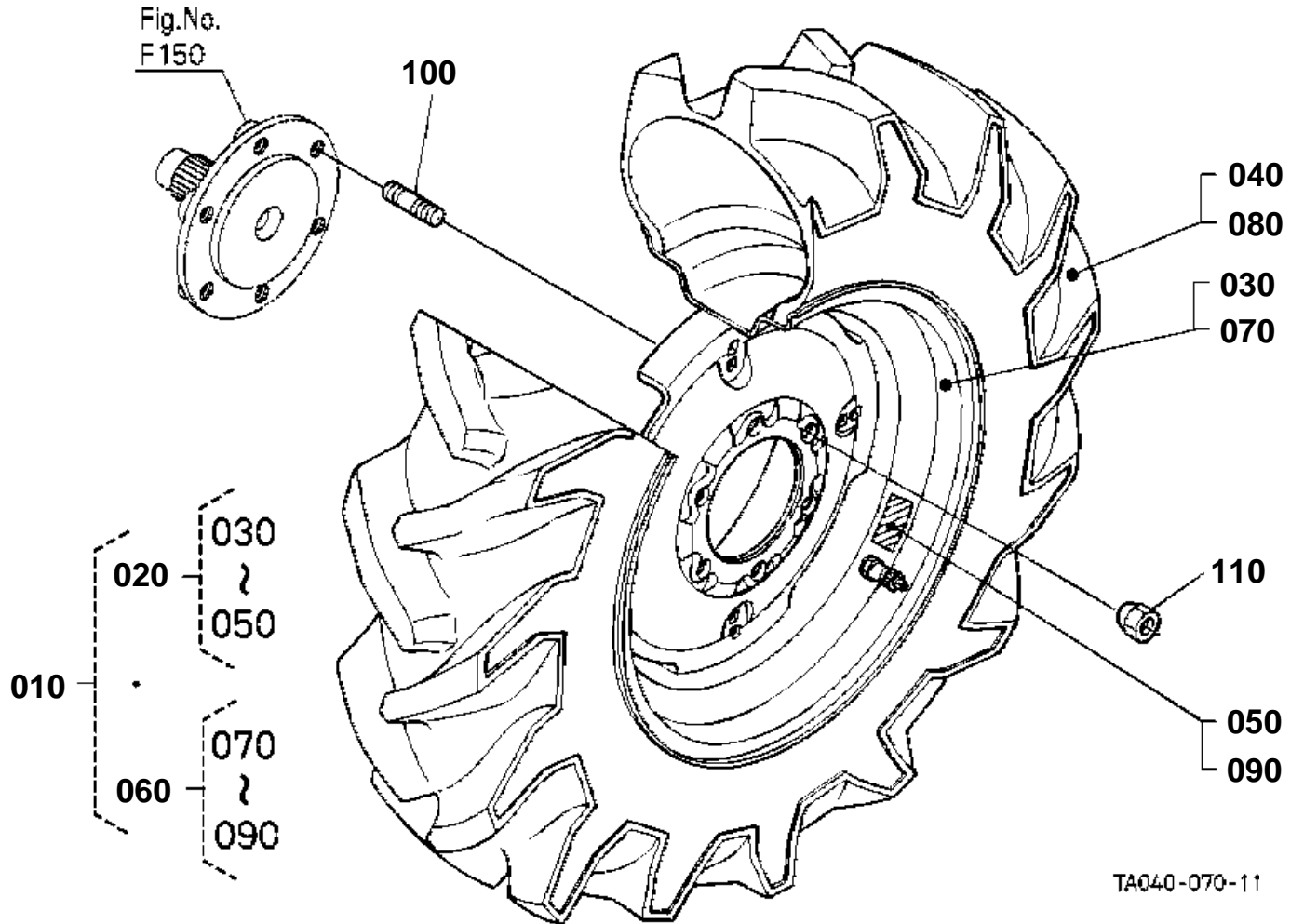




# FRONT WHEEL (27\*10.50-15)

↔ Interchangeable; ≠ not interchangeable; ← new for old; → old for new

REF.No	Part No.	Description	Q'ty	S.No.	I/C	REMARKS	Weight (kgf)	Weight (lb)
010	TA140-11500	FRONT WHEEL	2			ALR8898	0	0
020	TA140-11510	TIRE ASSY	2			ALR8898	0	0
030	TA140-11520	TIRE	2			ALR8898	0	0
040	TA140-11530	TUBE	2			ALR8898	0	0
050	TA140-11540	WHEEL	2			ALR8898	0	0
060	TA140-11550	LABEL TIRE	2			ALR8898	0	0
070	TA150-49160	STUD WHEEL	12				0.05	0.11
080	35340-11390	NUT	12				0.03	0.066



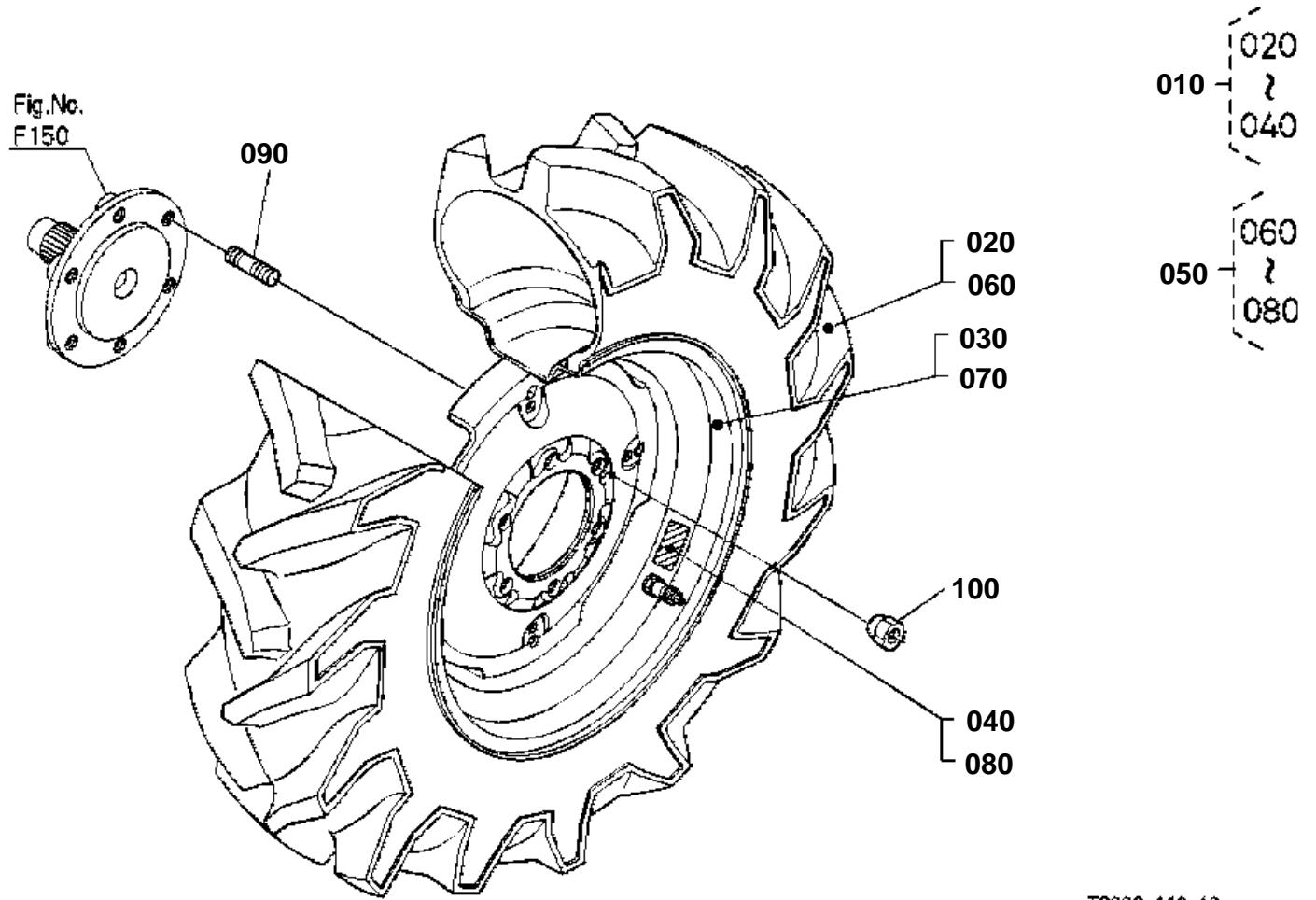


# FRONT WHEEL (7.2-16 R1) [OLD TYPE]

↔ Interchangeable; ≠ not interchangeable; ← new for old; → old for new

REF.No	Part No.	Description	Q'ty	S.No.	I/C	REMARKS	Weight (kgf)	Weight (lb)
010	TA020-10700	ASSY FRONT WHEEL	1			ALR8866	0	0
020	TA020-10710	ASSY FRONT WHEEL RH	1			ALR8866R	0	0
030	66434-17640	WHEEL	1			ALR8866R	11.3	24.86
040	TA020-43740	TIRE	1			ALR8866R	0	0
050	TA020-10750	LABEL TIRE RH	1			ALR8866R	0	0
060	TA020-10720	ASSY FRONT WHEEL LH	1			ALR8866L	0	0
070	66434-17640	WHEEL	1			ALR8866L	11.3	24.86
080	TA020-43740	TIRE	1			ALR8866L	0	0
090	TA020-10760	LABEL TIRE LH	1			ALR8866L	0	0
100	TA150-49160	STUD WHEEL	12				0.05	0.11
110	35340-11390	NUT	12				0.03	0.066

FRONT WHEEL (7-16 R1) [NEW TYPE]



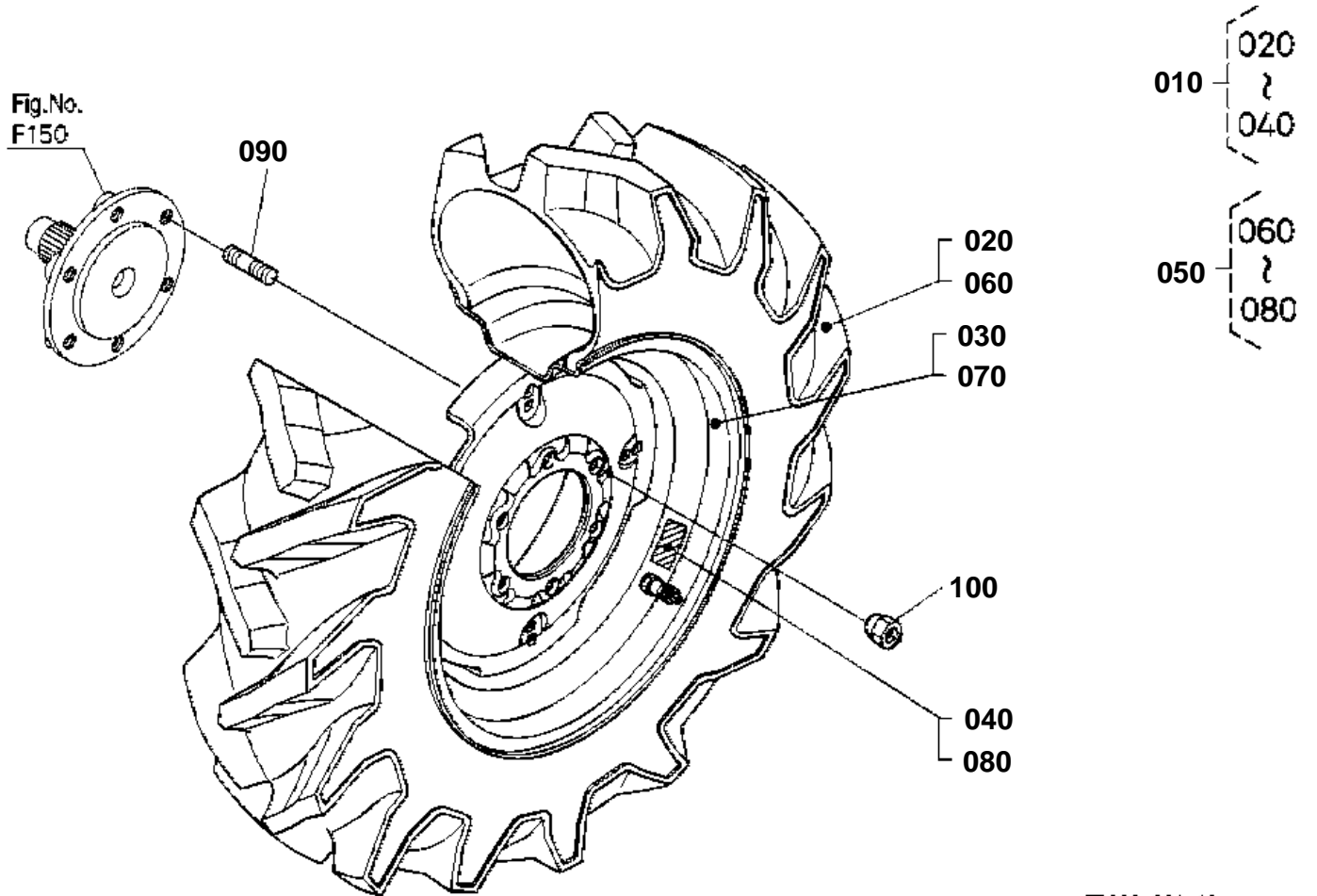


# FRONT WHEEL (7-16 R1) [NEW TYPE]

↔ Interchangeable; ≠ not interchangeable; ← new for old; → old for new

REF.No	Part No.	Description	Q'ty	S.No.	I/C	REMARKS	Weight (kgf)	Weight (lb)
010	TD020-10730	ASSY FRONT WHEEL RH	1			ALR8866AR	0	0
020	TD020-43740	TIRE	1			ALR8866AR	14.5	31.9
030	66434-17640	WHEEL	1			ALR8866AR	11.3	24.86
040	TD020-10750	LABEL RH	1			ALR8866AR	0	0
050	TD020-10740	ASSY FRONT WHEEL LH	1			ALR8866AL	0	0
060	TD020-43740	TIRE	1			ALR8866AL	14.5	31.9
070	66434-17640	WHEEL	1			ALR8866AL	11.3	24.86
080	TD020-10760	LABEL LH	1			ALR8866AL	0	0
090	TA150-49160	STUD WHEEL	12				0.05	0.11
100	35340-11390	NUT	12				0.03	0.066

FRONT WHEEL (7.2-16 R1)



TD030-264-10

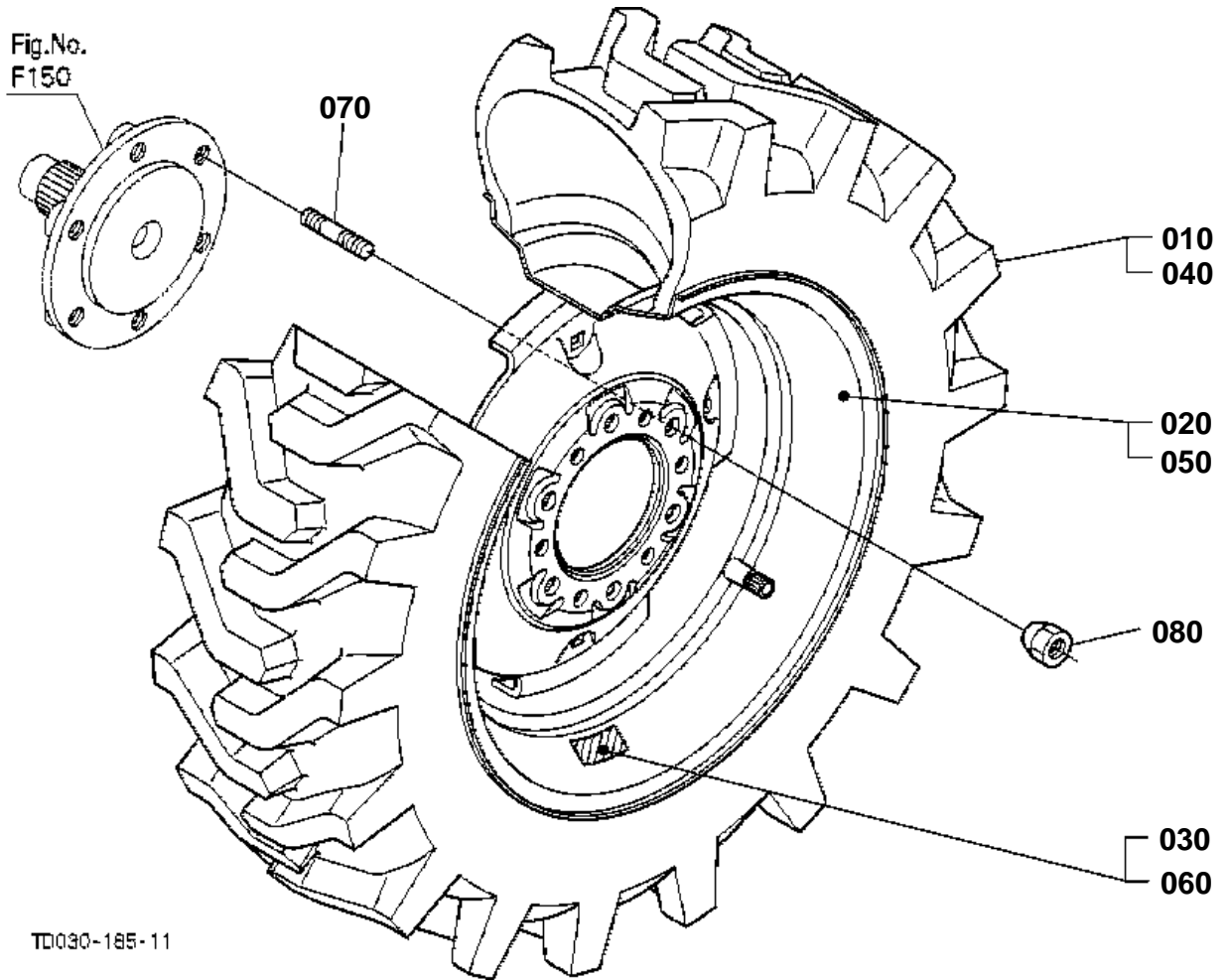




# FRONT WHEEL (7.2-16 R1)

↔ Interchangeable; ≠ not interchangeable; ← new for old; → old for new

REF.No	Part No.	Description	Q'ty	S.No.	I/C	REMARKS	Weight (kgf)	Weight (lb)
010	TD020-10830	ASSY TIRE	1			ALR8868BR	0	0
020	TD020-43750	TIRE	1			ALR8868BR	0	0
030	66434-17640	WHEEL	1			ALR8868BR	11.3	24.86
040	TD020-10850	LABEL TIRE RH	1			ALR8868BR	0	0
050	TD020-10840	ASSY TIRE	1			ALR8868BL	0	0
060	TD020-43750	TIRE	1			ALR8868BL	0	0
070	66434-17640	WHEEL	1			ALR8868BL	11.3	24.86
080	TD020-10860	LABEL TIRE LH	1			ALR8868BL	0	0
090	TA150-49160	STUD WHEEL	12				0.05	0.11
100	35340-11390	NUT	12				0.03	0.066

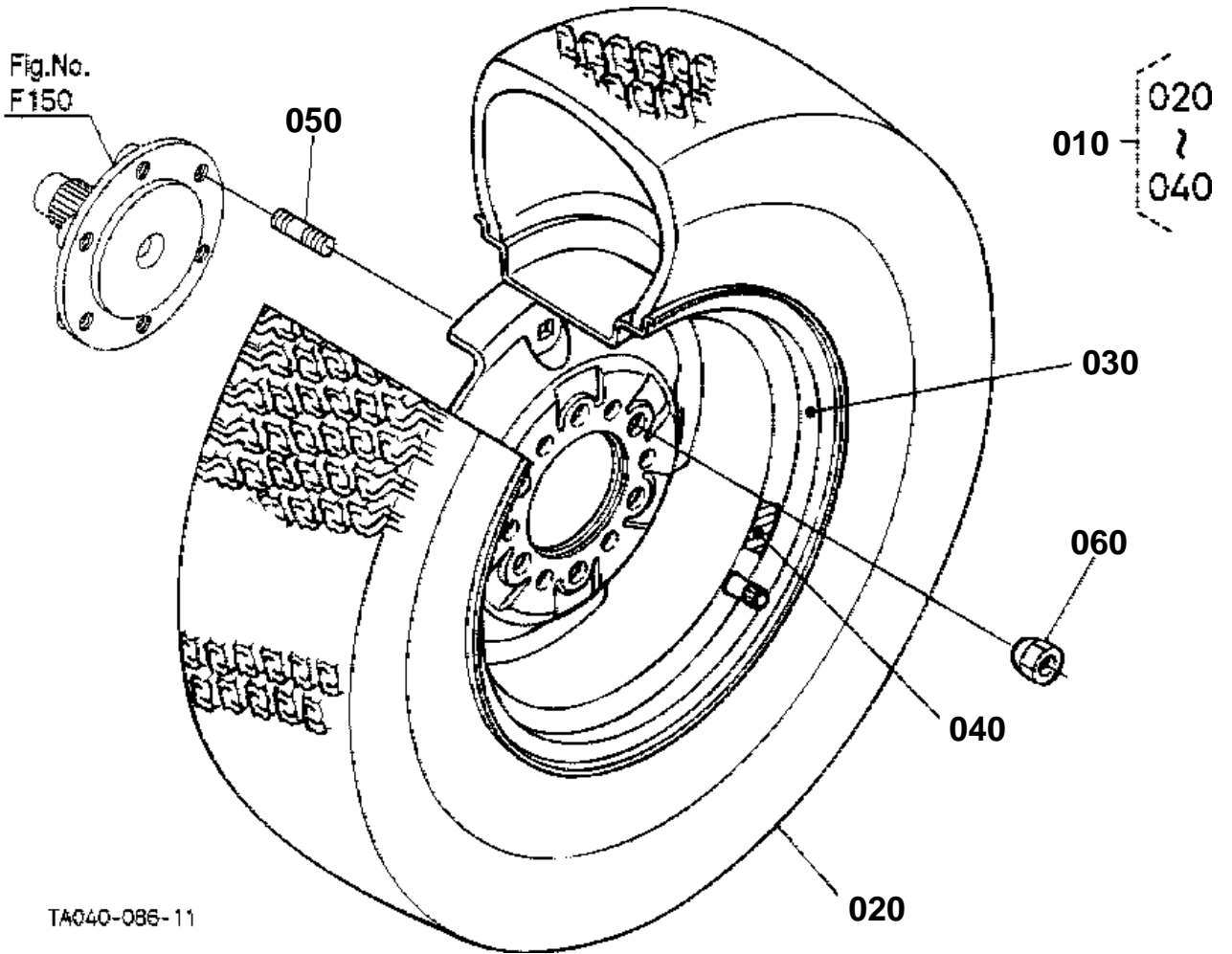




# FRONT WHEEL (10-16.5)

↔ Interchangeable; ≠ not interchangeable; ← new for old; → old for new

REF.No	Part No.	Description	Q'ty	S.No.	I/C	REMARKS	Weight (kgf)	Weight (lb)
010	TA040-50930	TIRE	1			ALR8869AR	0	0
020	TA040-42420	WHEEL	1			ALR8869AR	0	0
030	TA040-50950	LABEL RH	1			ALR8869AR	0	0
040	TA040-50930	TIRE	1			ALR8869AL	0	0
050	TA040-42420	WHEEL	1			ALR8869AL	0	0
060	TA040-50960	LABEL LH	1			ALR8869AL	0	0
070	TA150-49160	STUD WHEEL	12				0.05	0.11
080	35340-11390	NUT	12				0.03	0.066



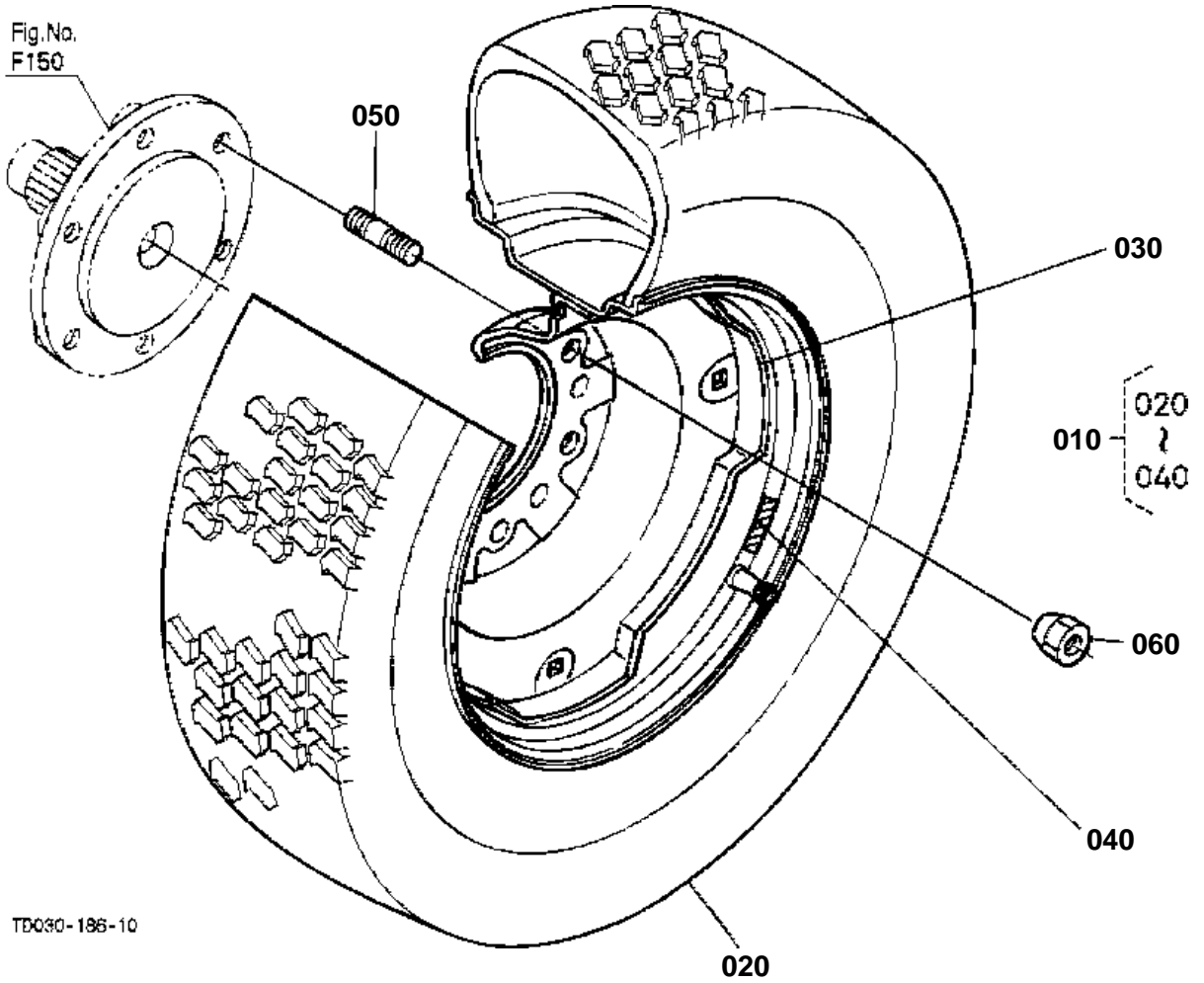


# FRONT WHEEL (27\*8.50-15)

↔ Interchangeable; ≠ not interchangeable; ← new for old; → old for new

REF.No	Part No.	Description	Q'ty	S.No.	I/C	REMARKS	Weight (kgf)	Weight (lb)
010	TA040-10500	ASSY FRONT WHEEL	2			ALR8868	0	0
020	67002-17630	TIRE	2			ALR8868	0	0
030	TA040-10550	WHEEL	2			ALR8868	0	0
040	TA040-10560	LABEL TIRE	2			ALR8868	0	0
050	TA150-49160	STUD WHEEL	12				0.05	0.11
060	35340-11390	NUT	12				0.03	0.066

FRONT WHEEL (29\*12.5-15) [OLD TYPE]



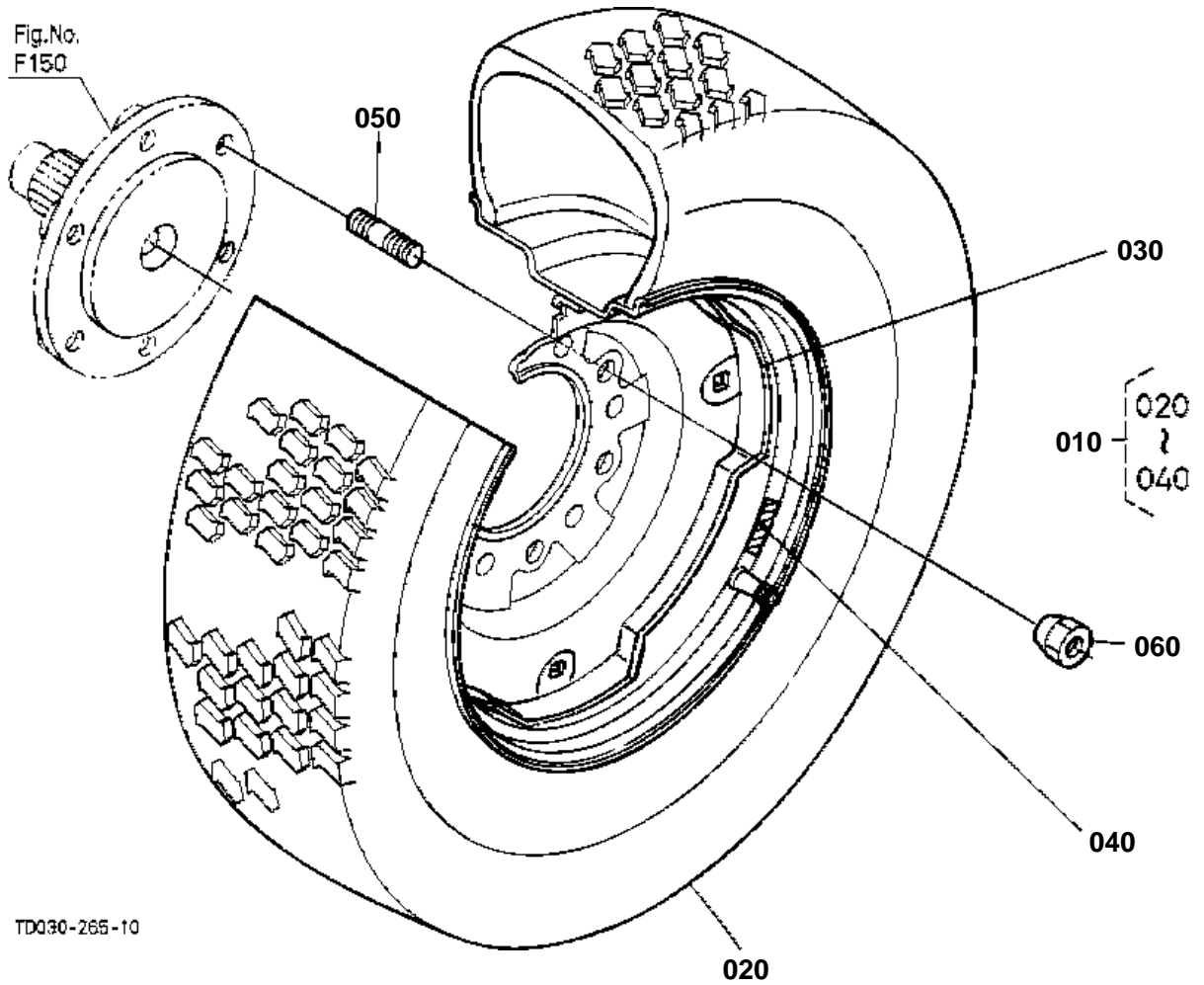


# FRONT WHEEL (29\*12.5-15) [OLD TYPE]

↔ Interchangeable; ≠ not interchangeable; ← new for old; → old for new

REF.No	Part No.	Description	Q'ty	S.No.	I/C	REMARKS	Weight (kgf)	Weight (lb)
010	TC050-00560	ASSY TIRE	2			ALR8895A	0	0
020	TC050-00670	TIRE	2			ALR8895A	22.1	48.62
030	35080-11540	WHEEL	2			ALR8895A	0	0
040	TC050-00590	LABEL TIRE	2			ALR8895A	0	0
050	TA150-49160	STUD WHEEL	12				0.05	0.11
060	35340-11390	NUT	12				0.03	0.066

FRONT WHEEL (29\*12.5-15) [NEW TYPE]





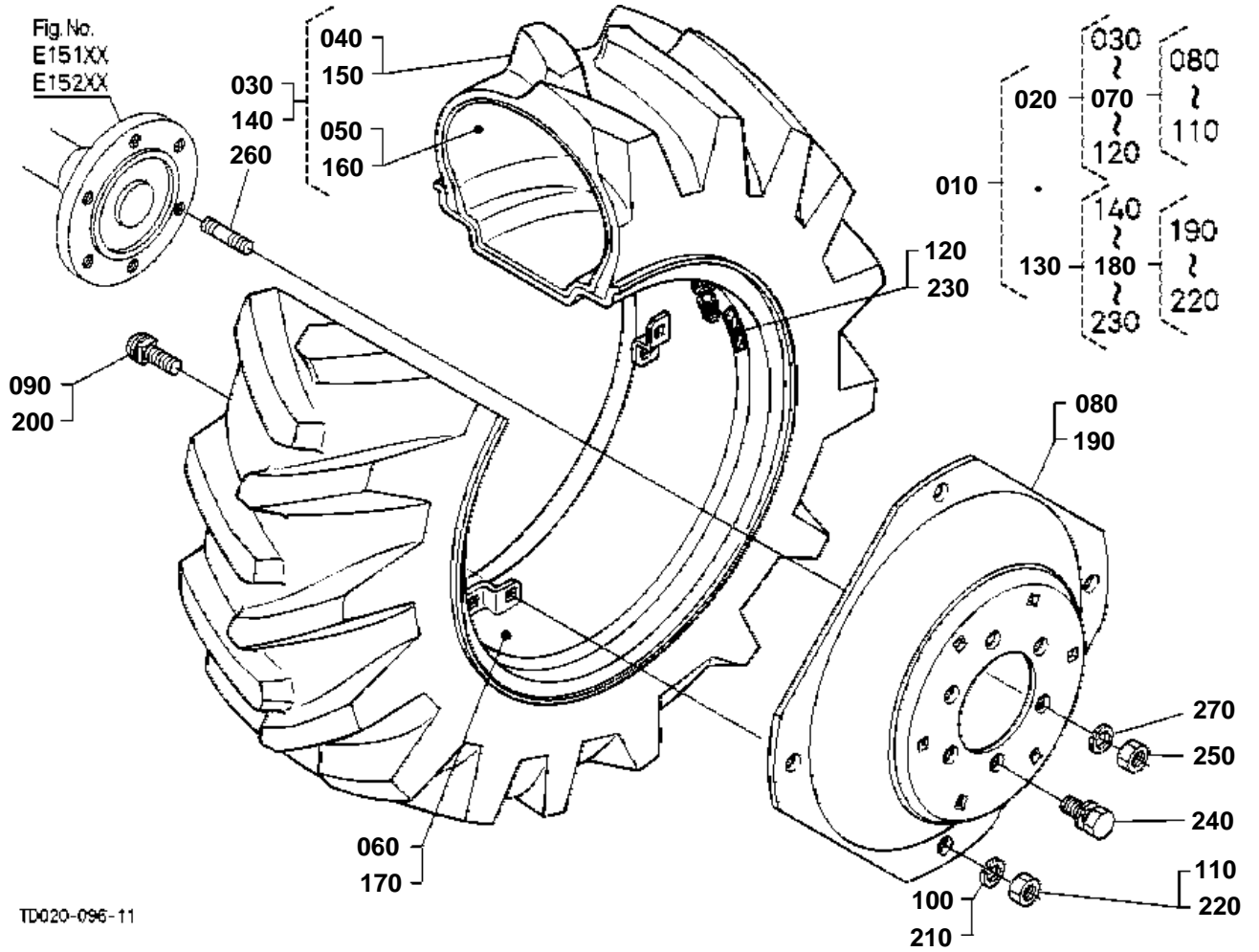


# FRONT WHEEL (29\*12.5-15) [NEW TYPE]

↔ Interchangeable; ≠ not interchangeable; ← new for old; → old for new

REF.No	Part No.	Description	Q'ty	S.No.	I/C	REMARKS	Weight (kgf)	Weight (lb)
010	TD030-00560	ASSY TIRE	2			ALR6813	0	0
020	TC050-00670	TIRE	2			ALR6813	22.1	48.62
030	TD030-11540	WHEEL	2			ALR6813	0	0
040	TD030-00590	LABEL TIRE	2			ALR6813	0	0
050	TA150-49160	STUD WHEEL	12				0.05	0.11
060	35340-11390	NUT	12				0.03	0.066

REAR WHEEL (12.4-24 R1)

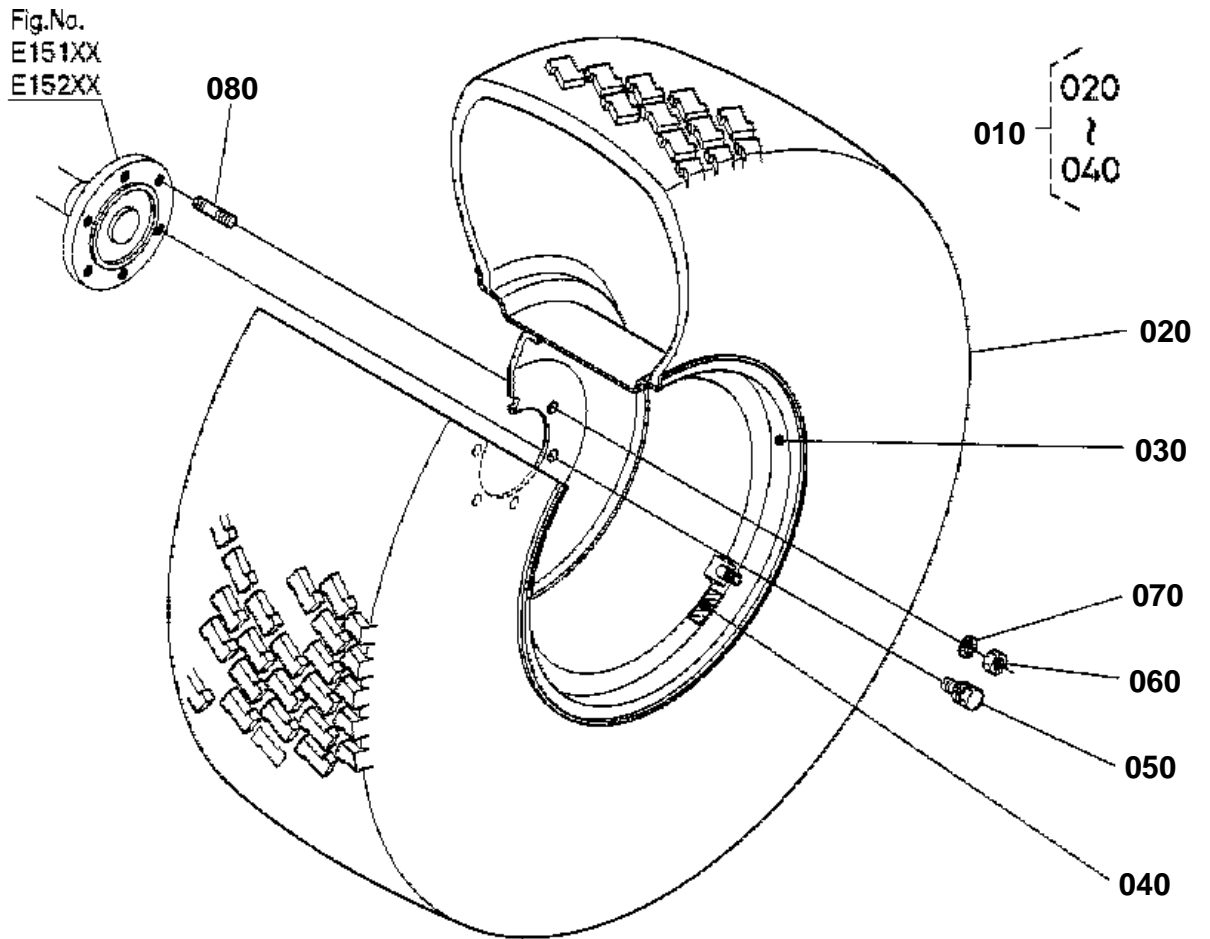




REAR WHEEL (12.4-24 R1)

↔ Interchangeable; ≠ not interchangeable; ← new for old; → old for new

REF.No	Part No.	Description	Q'ty	S.No.	I/C	REMARKS	Weight (kgf)	Weight (lb)
010	35070-27600	ASSY REAR WHEEL	1			ALR8821	0	0
020	35070-27610	ASSY REAR WHEEL LH	1			ALR8821L	0	0
030	35070-27670	ASSY REAR WHEEL	1			ALR8821L	0	0
040	35070-27620	TIRE	1			ALR8821L	0	0
050	35070-27630	TUBE	1			ALR8821L	0	0
060	35070-27640	RIM	1			ALR8821L	0	0
070	35070-27650	ASSY DISK	1			ALR8821L	0	0
080	35080-27660	DISK	1			ALR8821L	16.9	37.18
090	31220-27680	BOLT	4			ALR8821L	0.09	0.198
100	04512-60160	WASHER SPRING	4			ALR8821L	0.01	0.022
110	02174-50160	NUT	4			ALR8821L	0.022	0.0484
120	35070-27930	LABEL TIRE LH	1			ALR8821L	0	0
130	35070-27690	ASSY REAR WHEEL RH	1			ALR8821R	0	0
140	35070-27670	ASSY REAR WHEEL	1			ALR8821R	0	0
150	35070-27620	TIRE	1			ALR8821R	0	0
160	35070-27630	TUBE	1			ALR8821R	0	0
170	35070-27640	RIM	1			ALR8821R	0	0
180	35070-27650	ASSY DISK	1			ALR8821R	0	0
190	35080-27660	DISK	1			ALR8821R	16.9	37.18
200	31220-27680	BOLT	4			ALR8821R	0.09	0.198
210	04512-60160	WASHER SPRING	4			ALR8821R	0.01	0.022
220	02174-50160	NUT	4			ALR8821R	0.022	0.0484
230	35070-27940	LABEL TIRE RH	1			ALR8821R	0	0
240	01033-51630	BOLT	8				0.09	0.198
250	02076-50160	NUT	4				0.03	0.066
260	01517-51632	STUD	4				0.076	0.1672
270	04512-60160	WASHER SPRING	4				0.01	0.022



TD030-188-20

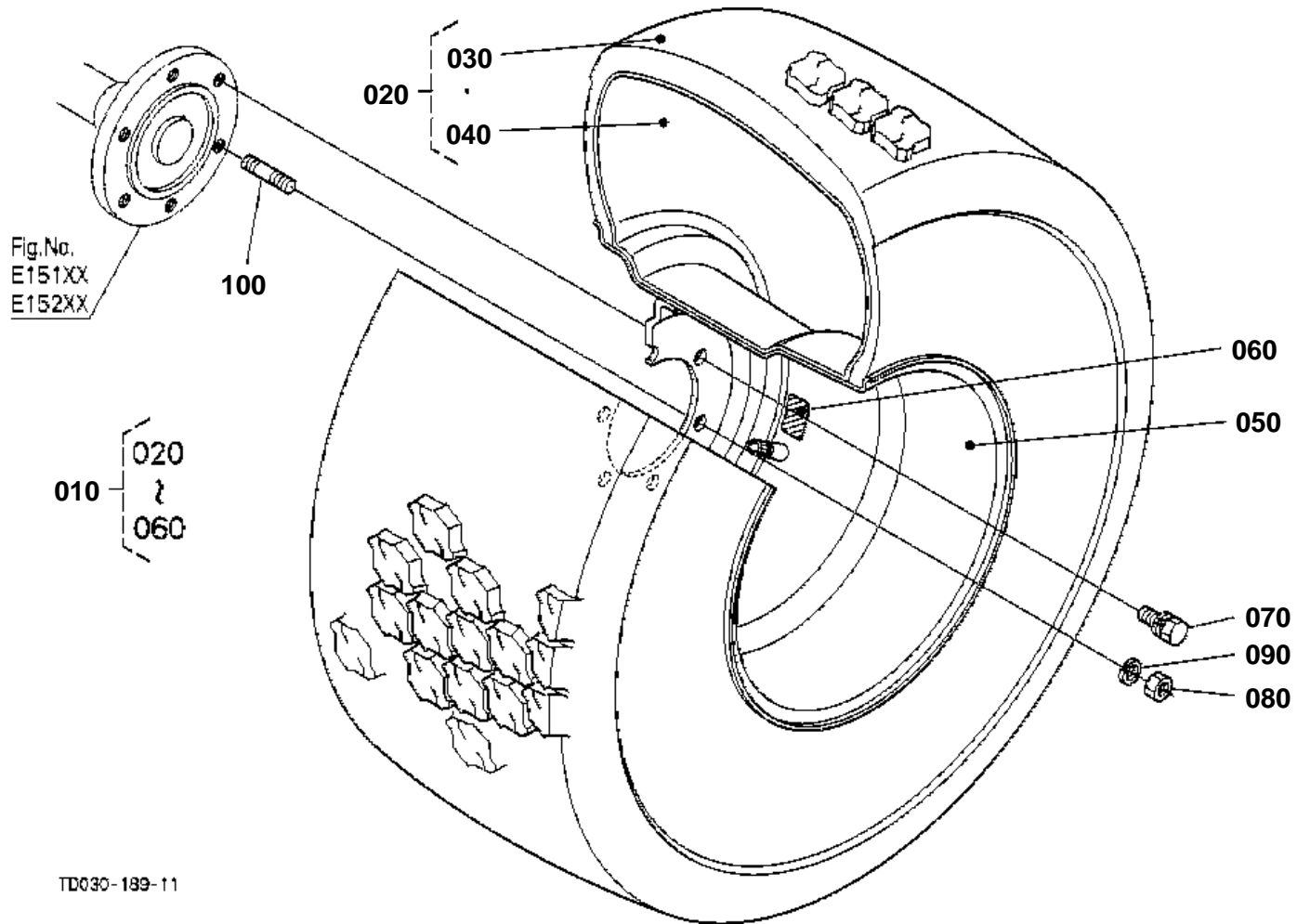


# REAR WHEEL (44\*18-20)

↔ Interchangeable; ≠ not interchangeable; ← new for old; → old for new

REF.No	Part No.	Description	Q'ty	S.No.	I/C	REMARKS	Weight (kgf)	Weight (lb)
010	TD050-51310	ASSY TIRE	2			ALR6803	0	0
020	TC050-51330	TIRE	2			ALR6803	0	0
030	TD050-51340	WHEEL	2			ALR6803	0	0
040	TC050-51350	LABEL TIRE	2			ALR6803	0	0
050	01033-51630	BOLT	8				0.09	0.198
060	02076-50160	NUT	4				0.03	0.066
070	04512-60160	WASHER SPRING	4				0.01	0.022
080	01517-51632	STUD	4				0.076	0.1672

REAR WHEEL (41/18LL\*16.1)



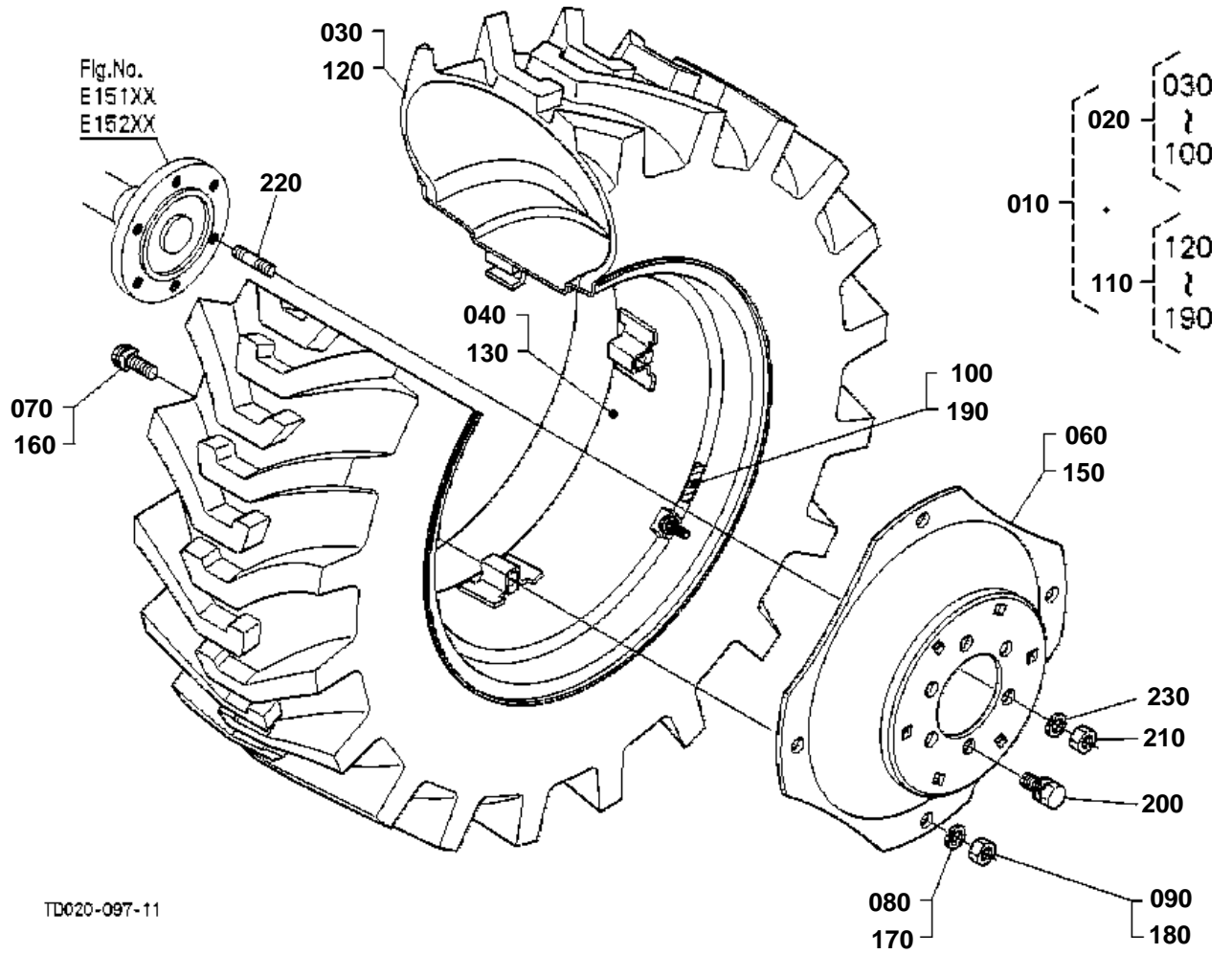
TD030-189-11

**REAR WHEEL (41/18LL\*16.1)**

↔ interchangeable; ≠ not interchangeable; ← new for old; → old for new

REF.No	Part No.	Description	Q'ty	S.No.	I/C	REMARKS	Weight (kgf)	Weight (lb)
010	TD050-21500	REAR WHEEL	2			ALR6804	0	0
020	TA140-21510	ASSY TIRE	2			ALR6804	0	0
030	TA140-21520	TIRE	2			ALR6804	0	0
040	TA140-21530	TUBE	2			ALR6804	0	0
050	TD050-21540	WHEEL	2			ALR6804	26	57.2
060	TA140-21550	LABEL	2			ALR6804	0	0
070	01033-51630	BOLT	8				0.09	0.198
080	02076-50160	NUT	4				0.03	0.066
090	04512-60160	WASHER SPRING	4				0.01	0.022
100	01517-51632	STUD	4				0.076	0.1672

REAR WHEEL (420/70-24)



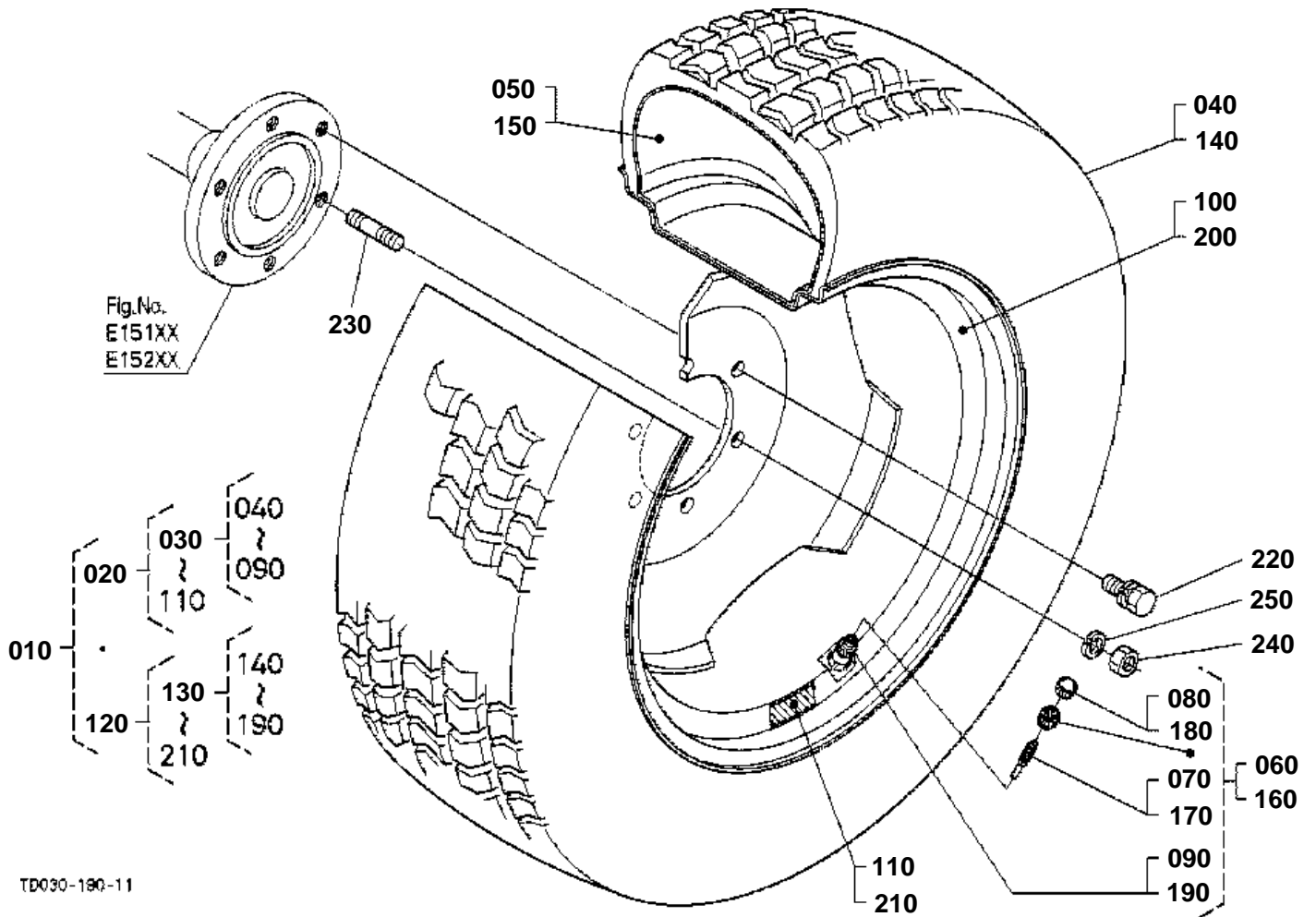


**REAR WHEEL (420/70-24)**

↔ Interchangeable; ≠ not interchangeable; ← new for old; → old for new

REF.No	Part No.	Description	Q'ty	S.No.	I/C	REMARKS	Weight (kgf)	Weight (lb)
010	35060-27800	ASSY REAR WHEEL	1			ALR8855	0	0
020	35060-27810	ASSY REAR WHEEL RH	1			ALR8855R	0	0
030	35060-27830	TIRE	1			ALR8855R	0	0
040	35060-27840	RIM	1			ALR8855R	0	0
050	99999-99999	BLANK	0				0	0
060	35080-27660	DISK	1			ALR8855R	16.9	37.18
070	75599-07760	HEXAGONE BOLT	4			ALR8855R	0	0
080	70070-02009	WASHER	4			ALR8855R	0	0
090	75599-31011	HEX.NUT	4			ALR8855R	0.004	0.0088
100	35060-27850	LABEL TIRE RH	1			ALR8855R	0	0
110	35060-27820	ASSY REAR WHEEL LH	1			ALR8855L	0	0
120	35060-27830	TIRE	1			ALR8855L	0	0
130	35060-27840	RIM	1			ALR8855L	0	0
140	99999-99999	BLANK	0				0	0
150	35080-27660	DISK	1			ALR8855L	16.9	37.18
160	75599-07760	HEXAGONE BOLT	4			ALR8855L	0	0
170	70070-02009	WASHER	4			ALR8855L	0	0
180	75599-31011	HEX.NUT	4			ALR8855L	0.004	0.0088
190	35060-27860	LABEL TIRE LH	1			ALR8855L	0	0
200	01033-51630	BOLT	8				0.09	0.198
210	02076-50160	NUT	4				0.03	0.066
220	01517-51632	STUD	4				0.076	0.1672
230	04512-60160	WASHER SPRING	4				0.01	0.022

REAR WHEEL (355/80-D20)

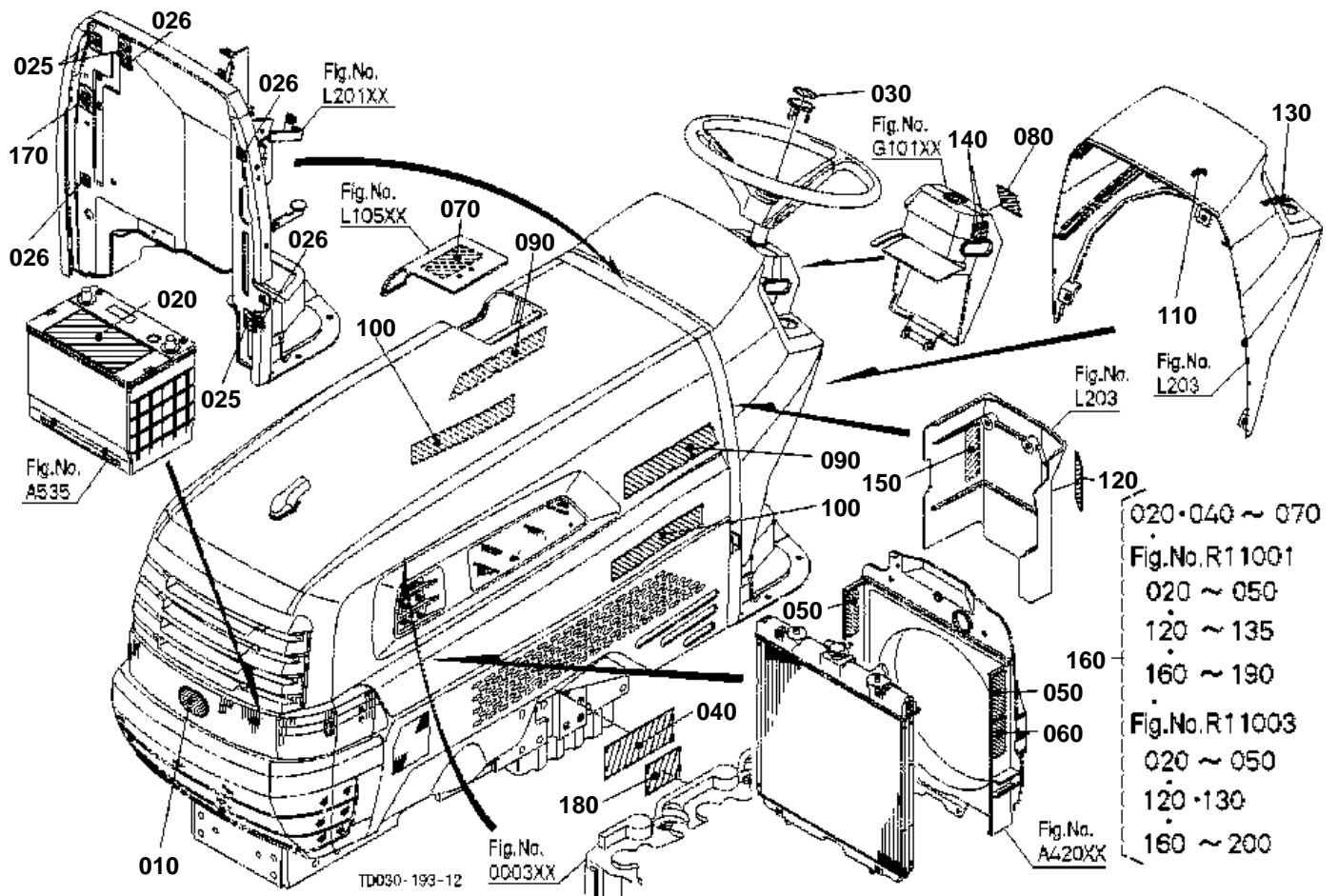




REAR WHEEL (355/80-D20)

↔ Interchangeable; ≠ not interchangeable; ← new for old; → old for new

REF.No	Part No.	Description	Q'ty	S.No.	I/C	REMARKS	Weight (kgf)	Weight (lb)
010	TD030-27700	ASSY REAR WHEEL	1			LR6801	0	0
020	TD030-27710	ASSY REAR WHEEL LH	1			LR6801L	0	0
030	36346-49300	ASSY TIRE-TUBE	1			LR6801L	0	0
040	36346-49310	TIRE REAR	1			LR6801L	40	88
050	36346-49320	TUBE TIRE	1			LR6801L	6.2	13.64
060	38240-11690	CAP VALVE	1			LR6801L	0.001	0.0022
070	32150-27700	ASSY VALVE	1			LR6801L	0.001	0.0022
080	32150-27740	CORE VALVE	1			LR6801L	0.003	0.0066
090	32270-27710	NUT RIM	1			LR6801L	0.006	0.0132
100	TD030-27950	WHEEL	1			LR6801L	23	50.6
110	TD030-27870	LABEL LH	1			LR6801L	0.001	0.0022
120	TD030-27720	ASSY REAR WHEEL RH	1			LR6801R	0	0
130	36346-49300	ASSY TIRE-TUBE	1			LR6801R	0	0
140	36346-49310	TIRE REAR	1			LR6801R	40	88
150	36346-49320	TUBE TIRE	1			LR6801R	6.2	13.64
160	38240-11690	CAP VALVE	1			LR6801R	0.001	0.0022
170	32150-27700	ASSY VALVE	1			LR6801R	0.001	0.0022
180	32150-27740	CORE VALVE	1			LR6801R	0.003	0.0066
190	32270-27710	NUT RIM	1			LR6801R	0.006	0.0132
200	TD030-27950	WHEEL	1			LR6801R	23	50.6
210	TD030-27880	LABEL RH	1			LR6801R	0.001	0.0022
220	01033-51630	BOLT	8				0.09	0.198
230	02076-50160	NUT	4				0.03	0.066
240	01517-51632	STUD	4				0.076	0.1672
250	04512-60160	WASHER SPRING	4				0.01	0.022

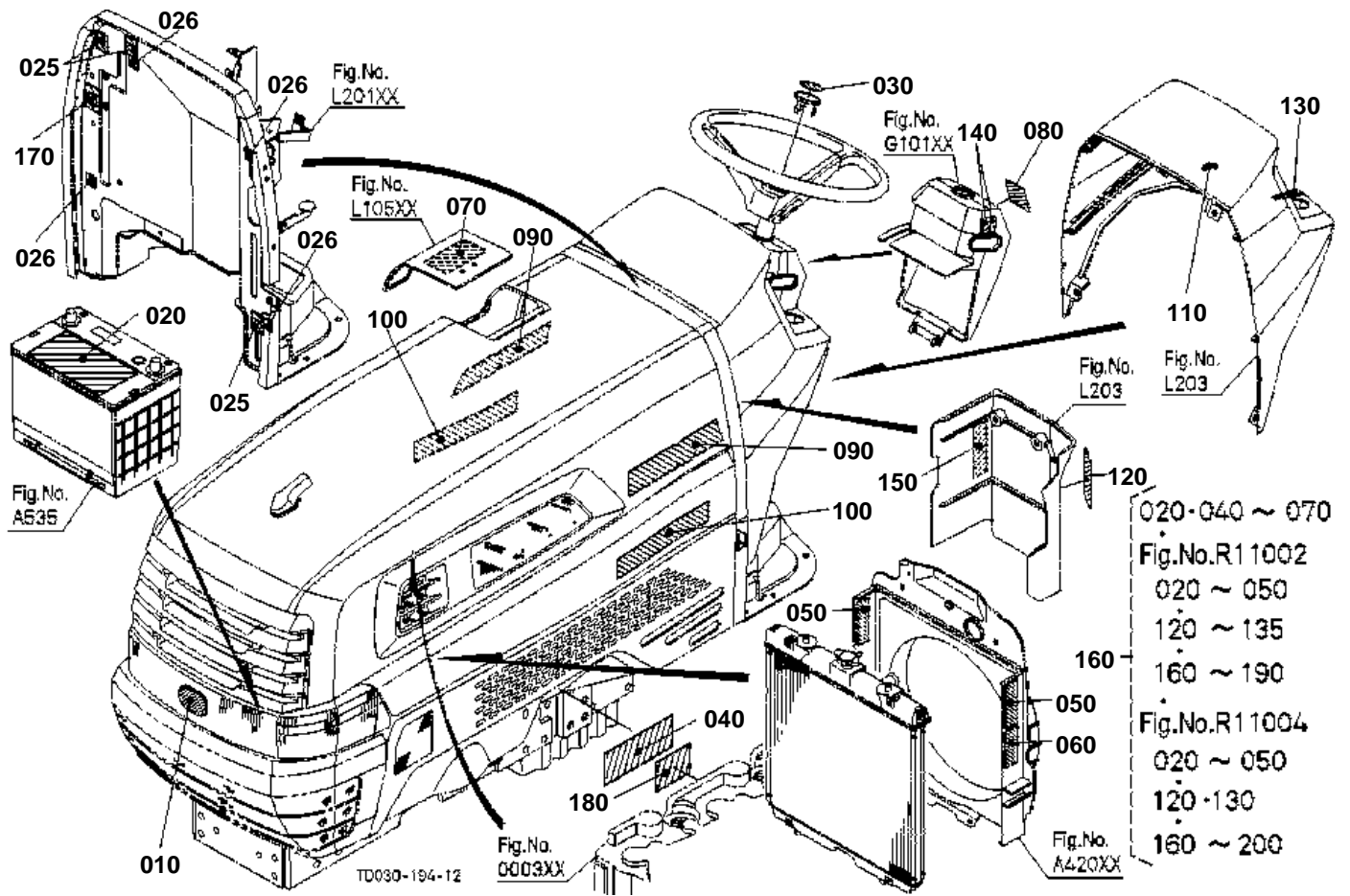




LABEL (FRONT) [MANUAL T/M TYPE] [A]

↔ Interchangeable; ≠ not interchangeable; ← new for old; → old for new

REF.No	Part No.	Description	Q'ty	S.No.	I/C	REMARKS	Weight (kgf)	Weight (lb)
010	TD060-49510	MARK SYMBOL	1				0.017	0.0374
020	TD020-30120	LABEL BATTERY	1	≤38032			0	0
020	TD020-30122	LABEL BATTERY	1	≥38033	←		0.004	0.0088
025	34550-75420	LABEL FENDER HOLE	2	≤30115			0.001	0.0022
025	34550-75420	LABEL FENDER HOLE	3	≥30116			0.001	0.0022
026	34550-75410	LABEL HOLE	1	≤30115			0.001	0.0022
026	34550-75410	LABEL HOLE	4	≥30116			0.001	0.0022
030	3F740-62800	LABEL PAD	1	≤33968			0	0
030	3F740-62802	LABEL PAD	1	≥33969	←		0.006	0.0132
040	TA040-49650	LABEL START CAUTION	1				0.004	0.0088
050	32751-49580	LABEL FAN BELT	2				0.001	0.0022
060	TC030-49580	LABEL MUFFLER	1				0.001	0.0022
070	TA040-49562	LABEL FUEL	1				0.002	0.0044
080	TA040-49390	LABEL SHUTTLE	1				0.001	0.0022
090	TD030-80930	LABEL KUBOTA	2				0.004	0.0088
100	TD010-49422	MARK MODEL	2	≤36466			0	0
100	TD010-49423	MARK MODEL	2	≥36467	←		0.01	0.022
110	TD060-49360	MARK MAIN SWITCH	1				0.001	0.0022
120	TD060-49450	MARK TILT	1				0.001	0.0022
130	T1060-49290	MARK SHUTTLE	1				0.001	0.0022
140	TA040-49540	MARK NEUTRAL	1				0.001	0.0022
150	TA040-49460	LABEL PARKING	1				0.001	0.0022
160	TD060-99500	KIT LABEL SAFETY (A)	1				0.06	0.132
170	TD060-43270	LABEL PANEL FRAME	1	≥30116			0.001	0.0022
180	1G790-87210	LABEL PUMP	1	≥40496			0.001	0.0022

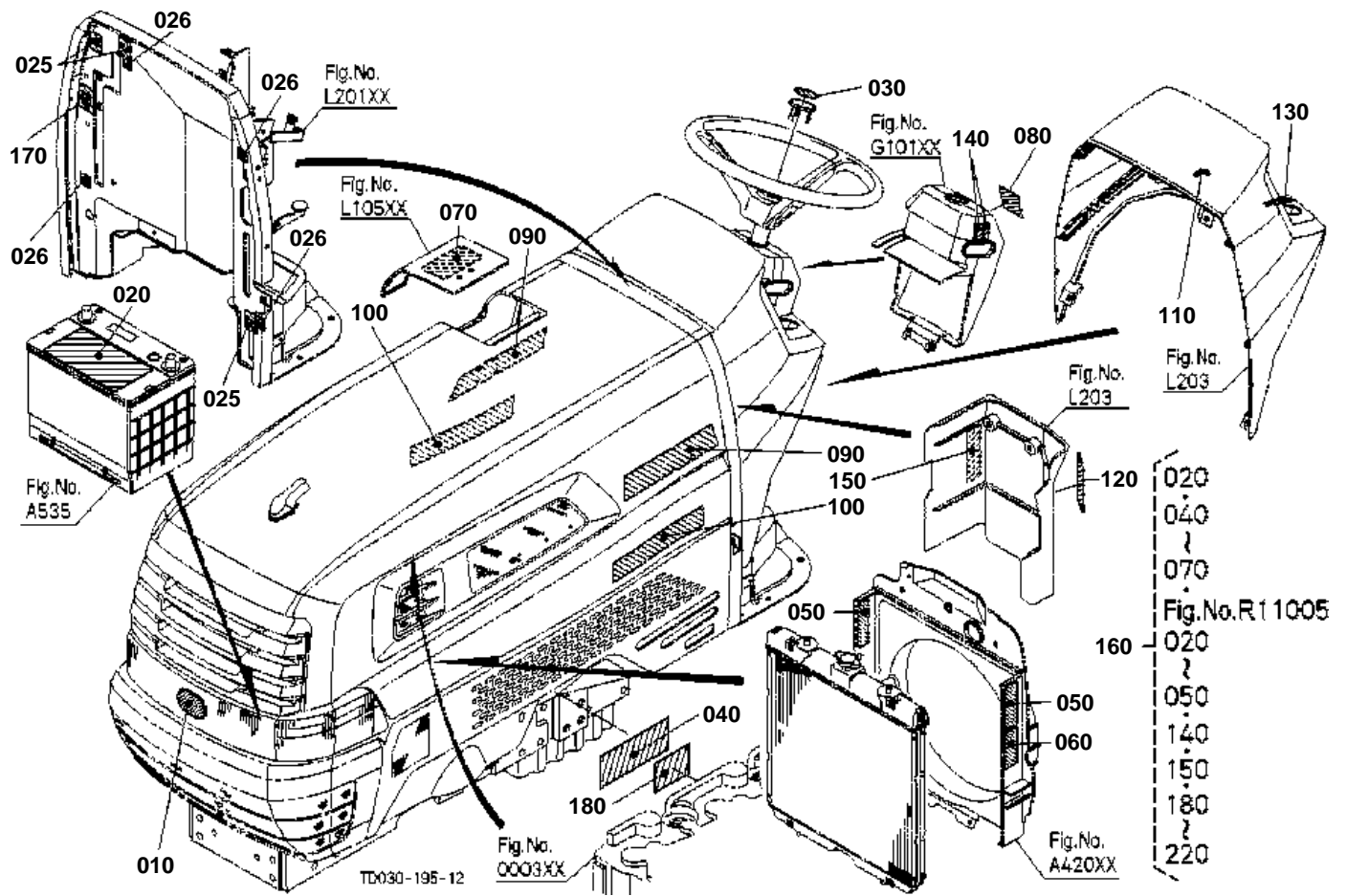




LABEL (FRONT) [MANUAL T/M TYPE] [CA]

↔ interchangeable; ≠ not interchangeable; ← new for old; → old for new

REF.No	Part No.	Description	Q'ty	S.No.	I/C	REMARKS	Weight (kgf)	Weight (lb)
010	TD060-49510	MARK SYMBOL	1				0.017	0.0374
020	TD020-30120	LABEL BATTERY	1	≤38032		ENGLISH	0	0
020	TD020-30122	LABEL BATTERY	1	≥38033	←	ENGLISH	0.004	0.0088
020	TD021-30120	LABEL BATTERY	1			FRENCH	0.004	0.0088
025	34550-75420	LABEL FENDER HOLE	2	≤30115			0.001	0.0022
025	34550-75420	LABEL FENDER HOLE	3	≥30116			0.001	0.0022
026	34550-75410	LABEL HOLE	1	≤30115			0.001	0.0022
026	34550-75410	LABEL HOLE	4	≥30116			0.001	0.0022
030	3F740-62800	LABEL PAD	1	≤33968			0	0
030	3F740-62802	LABEL PAD	1	≥33969	←		0.006	0.0132
040	TA040-49650	LABEL START CAUTION	1			ENGLISH	0.004	0.0088
040	TA041-49650	LABEL START CAUTION	1			FRENCH	0.004	0.0088
050	32751-49580	LABEL FAN BELT	2				0.001	0.0022
060	TC030-49580	LABEL MUFFLER	1				0.001	0.0022
070	TA040-49562	LABEL FUEL	1				0.002	0.0044
080	TA040-49390	LABEL SHUTTLE	1				0.001	0.0022
090	TD030-80930	LABEL KUBOTA	2				0.004	0.0088
100	TD010-49422	MARK MODEL	2	≤36466			0	0
100	TD010-49423	MARK MODEL	2	≥36467	←		0.01	0.022
110	TD060-49360	MARK MAIN SWITCH	1				0.001	0.0022
120	TD060-49450	MARK TILT	1				0.001	0.0022
130	T1060-49290	MARK SHUTTLE	1				0.001	0.0022
140	TA040-49540	MARK NEUTRAL	1				0.001	0.0022
150	TA040-49460	LABEL PARKING	1				0.001	0.0022
160	TD060-99500	KIT LABEL SAFETY (A)	1			ENGLISH	0.06	0.132
160	TD061-99500	KIT LABEL SAFETY (B)	1			FRENCH	0.05	0.11
170	TD060-43270	LABEL PANEL FRAME	1	≥30116			0.001	0.0022
180	1G790-87210	LABEL PUMP	1	≥40496			0.001	0.0022



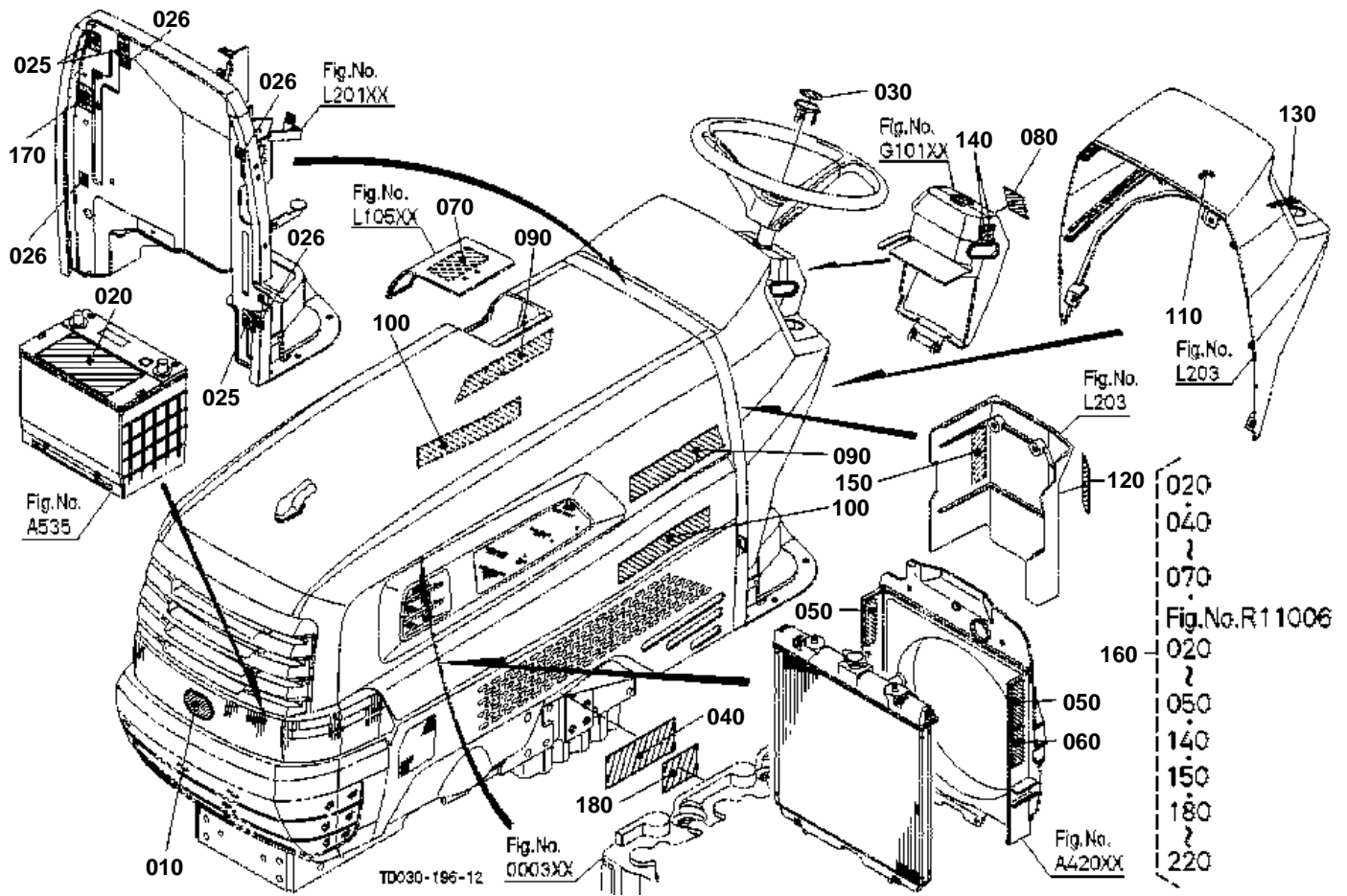




LABEL (FRONT) [GST TYPE] [A]

↔ Interchangeable; ≠ not interchangeable; ← new for old; → old for new

REF.No	Part No.	Description	Q'ty	S.No.	I/C	REMARKS	Weight (kgf)	Weight (lb)
010	TD060-49510	MARK SYMBOL	1				0.017	0.0374
020	TD020-30120	LABEL BATTERY	1	<=38032			0	0
020	TD020-30122	LABEL BATTERY	1	>=38033	←		0.004	0.0088
025	34550-75420	LABEL FENDER HOLE	2	<=30115			0.001	0.0022
025	34550-75420	LABEL FENDER HOLE	3	>=30116			0.001	0.0022
026	34550-75410	LABEL HOLE	1	<=30115			0.001	0.0022
026	34550-75410	LABEL HOLE	4	>=30116			0.001	0.0022
030	3F740-62800	LABEL PAD	1	<=33968			0	0
030	3F740-62802	LABEL PAD	1	>=33969	←		0.006	0.0132
040	TA040-49650	LABEL START CAUTION	1				0.004	0.0088
050	32751-49580	LABEL FAN BELT	2				0.001	0.0022
060	TC030-49580	LABEL MUFFLER	1				0.001	0.0022
070	TA040-49562	LABEL FUEL	1				0.002	0.0044
080	TA040-49390	LABEL SHUTTLE	1				0.001	0.0022
090	TD030-80930	LABEL KUBOTA	2				0.004	0.0088
100	TD010-49422	MARK MODEL	2	<=36466			0	0
100	TD010-49423	MARK MODEL	2	>=36467	←		0.01	0.022
110	TD060-49360	MARK MAIN SWITCH	1				0.001	0.0022
120	TD060-49450	MARK TILT	1				0.001	0.0022
130	T1060-49290	MARK SHUTTLE	1				0.001	0.0022
140	TA040-49540	MARK NEUTRAL	1				0.001	0.0022
150	TA040-49460	LABEL PARKING	1				0.001	0.0022
160	TD060-99500	KIT LABEL SAFETY (A)	1				0.06	0.132
170	TD060-43270	LABEL PANEL FRAME	1	>=30116			0.001	0.0022
180	1G790-87210	LABEL PUMP	1	>=40496			0.001	0.0022

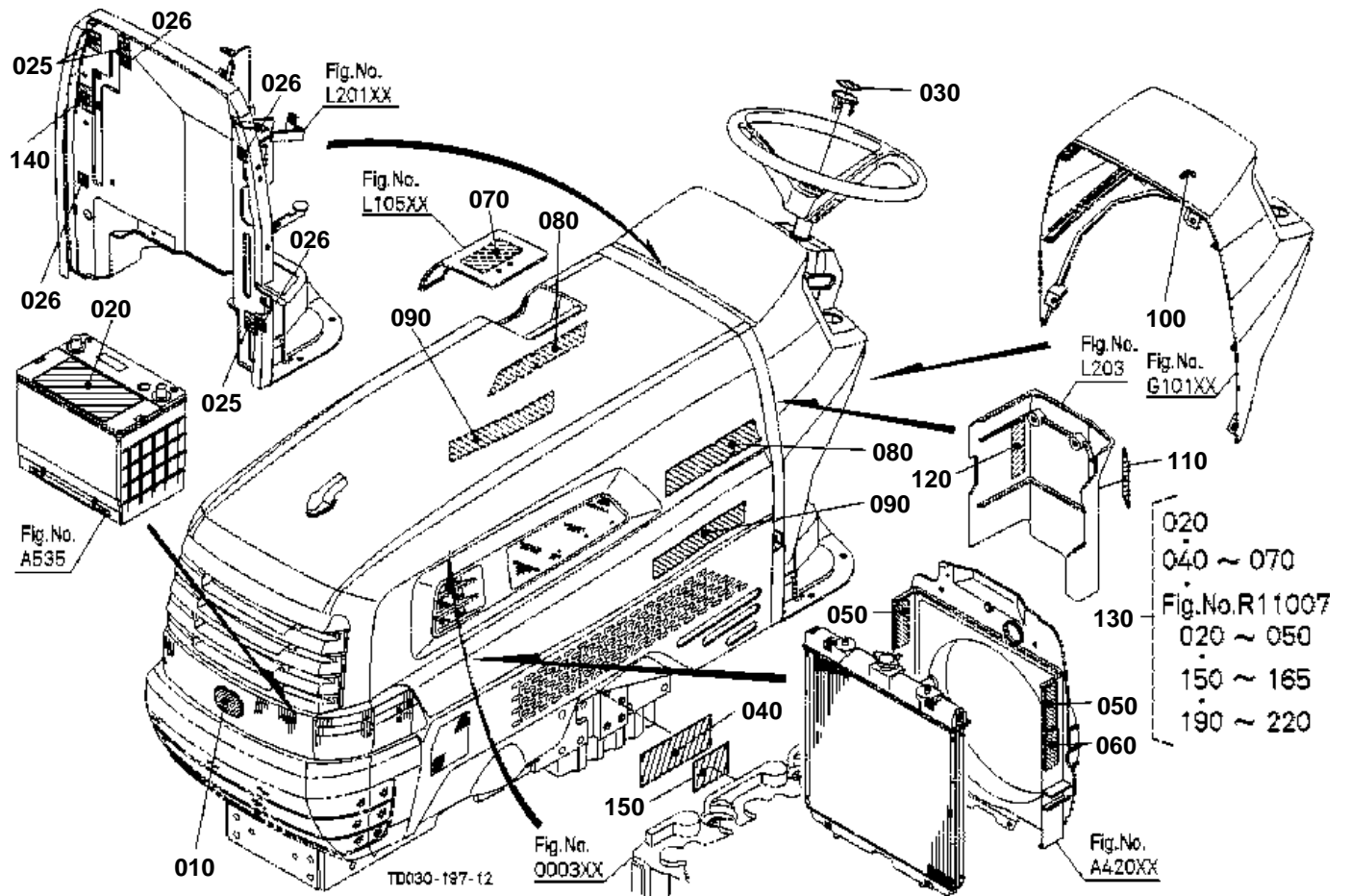




LABEL (FRONT) [GST TYPE] [CA]

↔ Interchangeable; ≠ not interchangeable; ← new for old; → old for new

REF.No	Part No.	Description	Q'ty	S.No.	I/C	REMARKS	Weight (kgf)	Weight (lb)
010	TD060-49510	MARK SYMBOL	1				0.017	0.0374
020	TD020-30120	LABEL BATTERY	1	≤38032		ENGLISH	0	0
020	TD020-30122	LABEL BATTERY	1	≥38033	←	ENGLISH	0.004	0.0088
020	TD021-30120	LABEL BATTERY	1			FRENCH	0.004	0.0088
025	34550-75420	LABEL FENDER HOLE	2	≤30115			0.001	0.0022
025	34550-75420	LABEL FENDER HOLE	3	≥30116			0.001	0.0022
026	34550-75410	LABEL HOLE	1	≤30115			0.001	0.0022
026	34550-75410	LABEL HOLE	4	≥30116			0.001	0.0022
030	3F740-62800	LABEL PAD	1	≤33968			0	0
030	3F740-62802	LABEL PAD	1	≥33969	←		0.006	0.0132
040	TA040-49650	LABEL START CAUTION	1			ENGLISH	0.004	0.0088
040	TA041-49650	LABEL START CAUTION	1			FRENCH	0.004	0.0088
050	32751-49580	LABEL FAN BELT	2				0.001	0.0022
060	TC030-49580	LABEL MUFFLER	1				0.001	0.0022
070	TA040-49562	LABEL FUEL	1				0.002	0.0044
080	TA040-49390	LABEL SHUTTLE	1				0.001	0.0022
090	TD030-80930	LABEL KUBOTA	2				0.004	0.0088
100	TD010-49422	MARK MODEL	2	≤36466			0	0
100	TD010-49423	MARK MODEL	2	≥36467	←		0.01	0.022
110	TD060-49360	MARK MAIN SWITCH	1				0.001	0.0022
120	TD060-49450	MARK TILT	1				0.001	0.0022
130	T1060-49290	MARK SHUTTLE	1				0.001	0.0022
140	TA040-49540	MARK NEUTRAL	1				0.001	0.0022
150	TA040-49460	LABEL PARKING	1				0.001	0.0022
160	TD060-99500	KIT LABEL SAFETY (A)	1			ENGLISH	0.06	0.132
160	TD061-99500	KIT LABEL SAFETY (B)	1			FRENCH	0.05	0.11
170	TD060-43270	LABEL PANEL FRAME	1	≥30116			0.001	0.0022
180	1G790-87210	LABEL PUMP	1	≥40496			0.001	0.0022

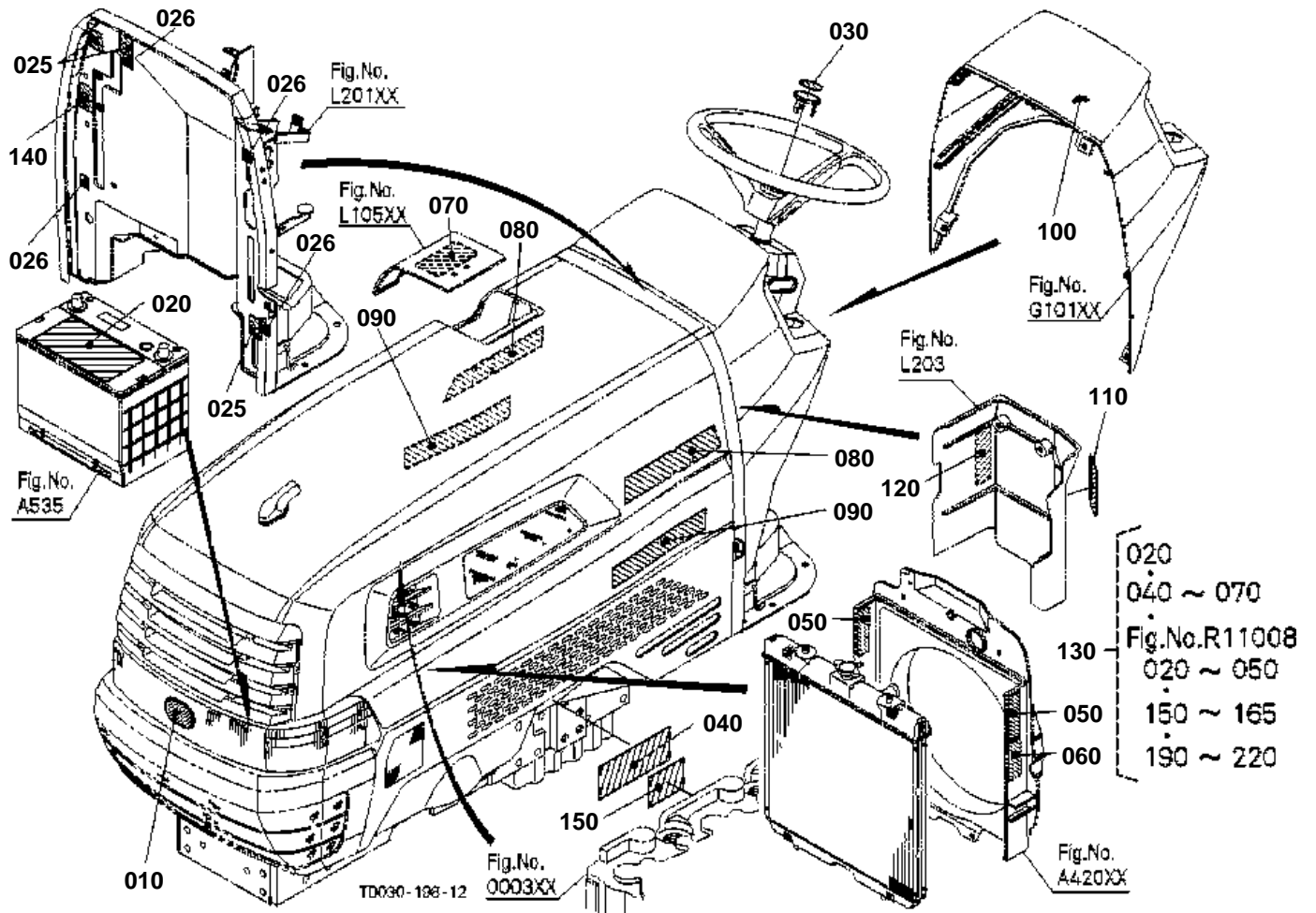




LABEL (FRONT) [HST TYPE] [ROPS TYPE] [A]

↔ Interchangeable; ≠ not interchangeable; ← new for old; → old for new

REF.No	Part No.	Description	Q'ty	S.No.	I/C	REMARKS	Weight (kgf)	Weight (lb)
010	TD060-49510	MARK SYMBOL	1				0.017	0.0374
020	TD020-30120	LABEL BATTERY	1	≤38032			0	0
020	TD020-30122	LABEL BATTERY	1	≥38033	←		0.004	0.0088
025	34550-75420	LABEL FENDER HOLE	2	≤30115			0.001	0.0022
025	34550-75420	LABEL FENDER HOLE	3	≥30116			0.001	0.0022
026	34550-75410	LABEL HOLE	1	≤30115			0.001	0.0022
026	34550-75410	LABEL HOLE	4	≥30116			0.001	0.0022
030	3F740-62800	LABEL PAD	1	≤33968			0	0
030	3F740-62802	LABEL PAD	1	≥33969	←		0.006	0.0132
040	TA040-49650	LABEL START CAUTION	1				0.004	0.0088
050	32751-49580	LABEL FAN BELT	2				0.001	0.0022
060	TC030-49580	LABEL MUFFLER	1				0.001	0.0022
070	TA040-49562	LABEL FUEL	1				0.002	0.0044
080	TD030-80930	LABEL KUBOTA	2				0.004	0.0088
090	TD010-49422	MARK MODEL	2	≤36466			0	0
090	TD010-49423	MARK MODEL	2	≥36467	←		0.01	0.022
100	TD060-49360	MARK MAIN SWITCH	1				0.001	0.0022
110	TD060-49450	MARK TILT	1				0.001	0.0022
120	TA040-49460	LABEL PARKING	1				0.001	0.0022
130	TD060-99500	KIT LABEL SAFETY (A)	1				0.06	0.132
140	TD060-43270	LABEL PANEL FRAME	1	≥30116			0.001	0.0022
150	1G790-87210	LABEL PUMP	1	≥40496			0.001	0.0022

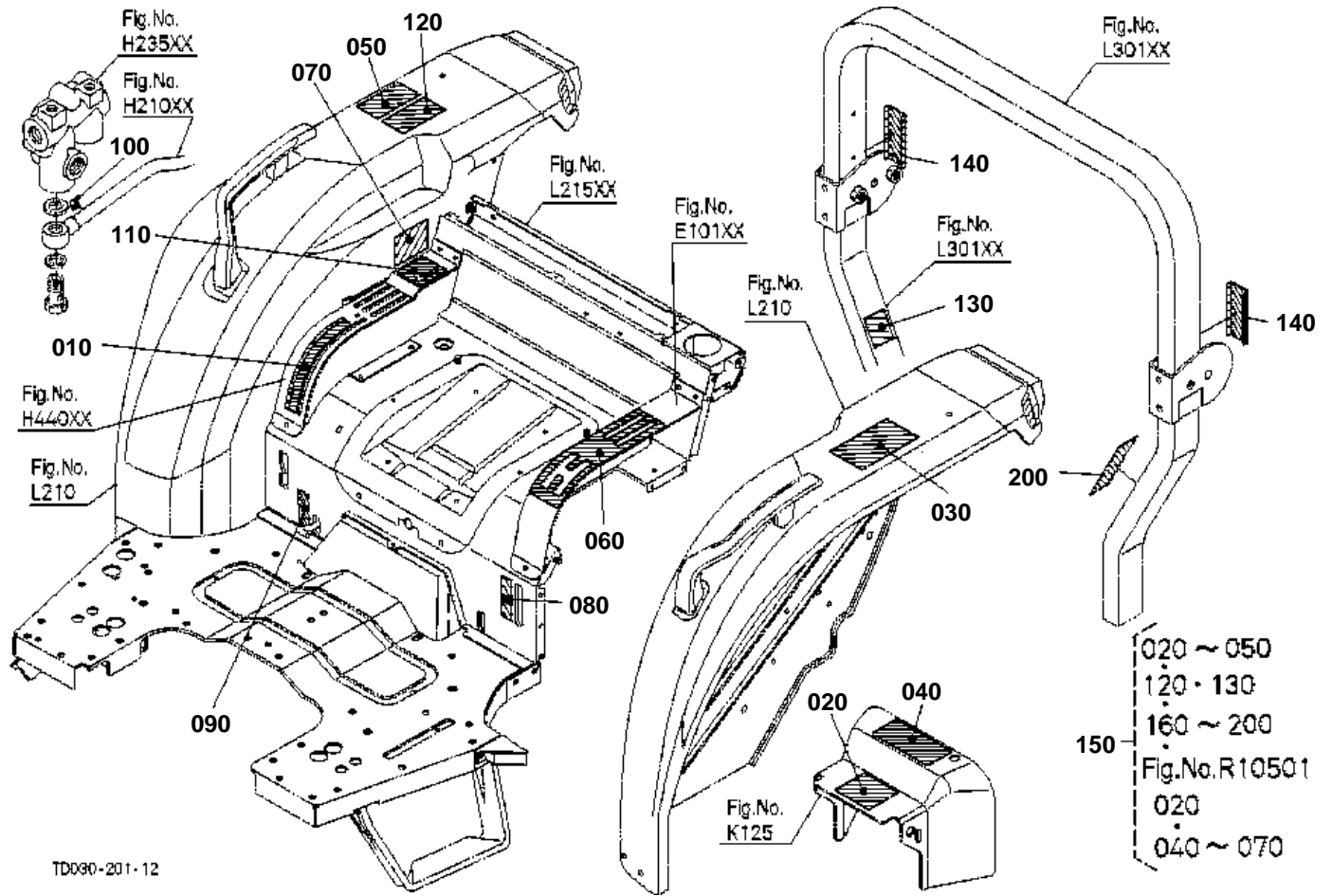




LABEL (FRONT) [HST TYPE] [ROPS TYPE] [CA]

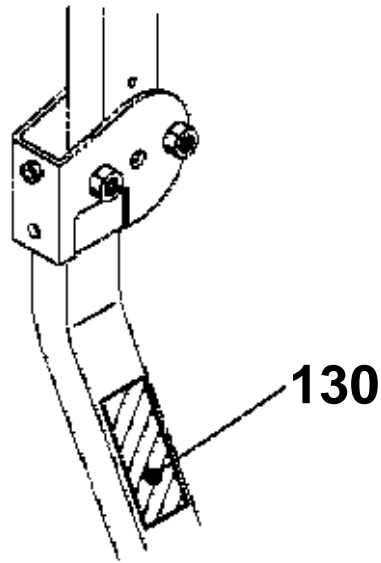
↔ Interchangeable; ≠ not interchangeable; ← new for old; → old for new

REF.No	Part No.	Description	Q'ty	S.No.	I/C	REMARKS	Weight (kgf)	Weight (lb)
010	TD060-49510	MARK SYMBOL	1				0.017	0.0374
020	TD020-30120	LABEL BATTERY	1	≤38032		ENGLISH	0	0
020	TD020-30122	LABEL BATTERY	1	≥38033	←	ENGLISH	0.004	0.0088
020	TD021-30120	LABEL BATTERY	1			FRENCH	0.004	0.0088
025	34550-75420	LABEL FENDER HOLE	2	≤30115			0.001	0.0022
025	34550-75420	LABEL FENDER HOLE	3	≥30116			0.001	0.0022
026	34550-75410	LABEL HOLE	1	≤30115			0.001	0.0022
026	34550-75410	LABEL HOLE	4	≥30116			0.001	0.0022
030	3F740-62800	LABEL PAD	1	≤33968			0	0
030	3F740-62802	LABEL PAD	1	≥33969	←		0.006	0.0132
040	TA040-49650	LABEL START CAUTION	1			ENGLISH	0.004	0.0088
040	TA041-49650	LABEL START CAUTION	1			FRENCH	0.004	0.0088
050	32751-49580	LABEL FAN BELT	2				0.001	0.0022
060	TC030-49580	LABEL MUFFLER	1				0.001	0.0022
070	TA040-49562	LABEL FUEL	1				0.002	0.0044
080	TD030-80930	LABEL KUBOTA	2				0.004	0.0088
090	TD010-49422	MARK MODEL	2	≤36466			0	0
090	TD010-49423	MARK MODEL	2	≥36467	←		0.01	0.022
100	TD060-49360	MARK MAIN SWITCH	1				0.001	0.0022
110	TD060-49450	MARK TILT	1				0.001	0.0022
120	TA040-49460	LABEL PARKING	1				0.001	0.0022
130	TD060-99500	KIT LABEL SAFETY (A)	1			ENGLISH	0.06	0.132
130	TD061-99500	KIT LABEL SAFETY (B)	1			FRENCH	0.05	0.11
140	TD060-43270	LABEL PANEL FRAME	1	≥30116			0.001	0.0022
150	1G790-87210	LABEL PUMP	1	≥40496			0.001	0.0022





# OLD PARTS



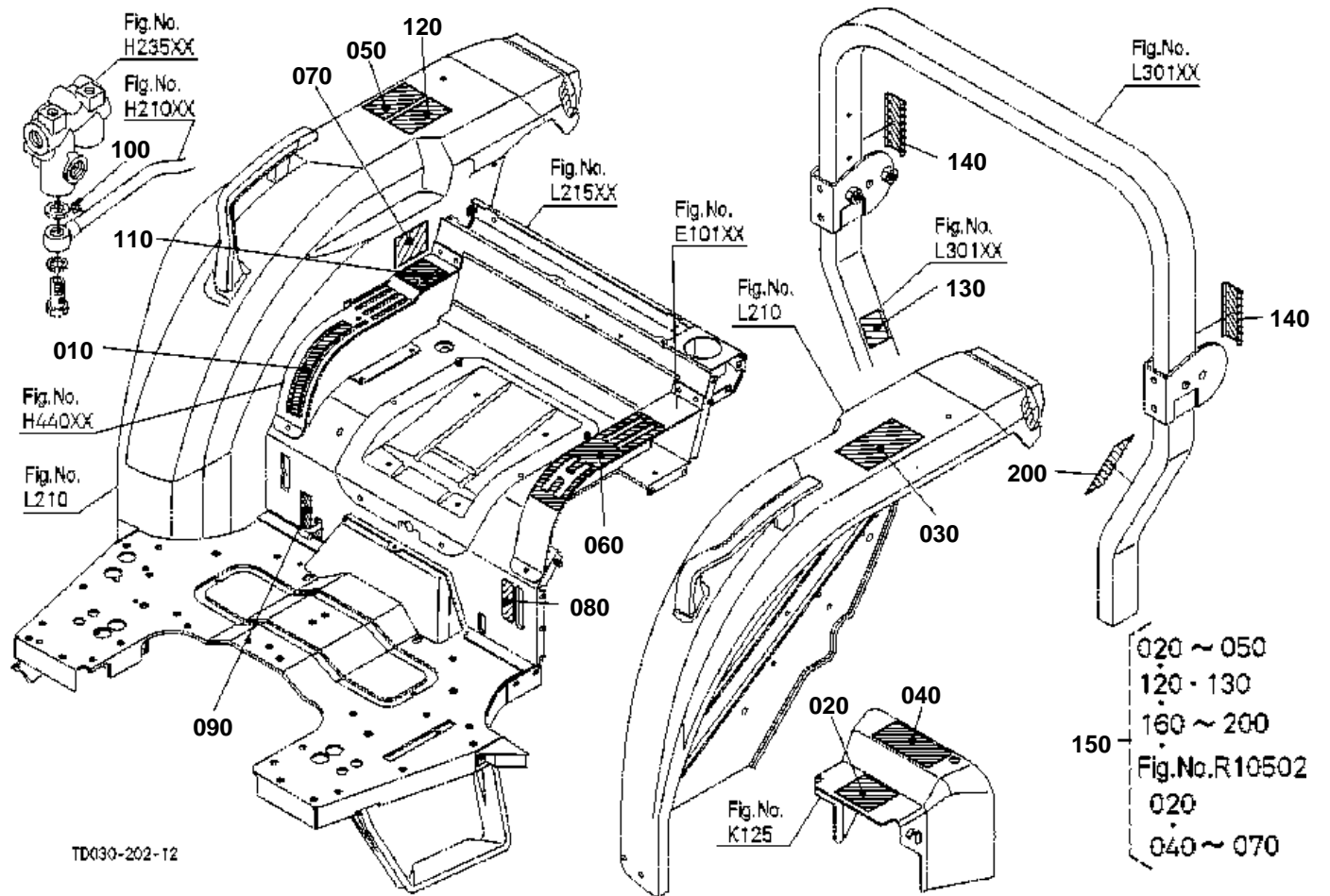
TD030-863-10



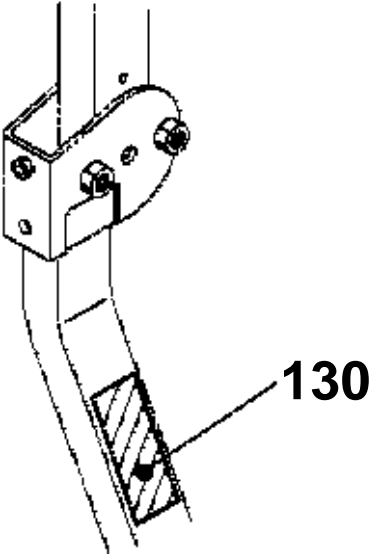
LABEL (REAR) [MANUAL T/M TYPE] [A]

↔ Interchangeable; ≠ not interchangeable; ← new for old; → old for new

REF.No	Part No.	Description	Q'ty	S.No.	I/C	REMARKS	Weight (kgf)	Weight (lb)
010	TD060-49500	MARK POSITION	1	<=42572			0.008	0.0176
010	TD060-49502	MARK POSITION	1	>=42573	←		0.008	0.0176
020	TA040-49350	LABEL DRAWBAR	1				0.002	0.0044
030	35260-34914	LABEL SAFETY	1				0.005	0.011
040	TA040-49590	LABEL PTO WARNING	1				0.002	0.0044
050	TA140-49330	LABEL SHUTTLE	1				0.005	0.011
060	TD050-49210	MARK SHIFT	1				0.035	0.077
070	TD060-49300	LABEL I-PTO CAUTION	1				0.002	0.0044
080	TD060-49550	MARK 4WD	1				0.001	0.0022
090	TA040-49760	MARK DIFF.LOCK	1				0.001	0.0022
100	32430-65790	LABEL HYD.BLOCK	1				0.01	0.022
110	TD060-49162	MARK REAR PTO	1				0.009	0.0198
120	TA040-49320	LABEL ROPS WARNING	1			RIGID ROPS TYPE	0.001	0.0022
120	TA240-98480	LABEL ROPS WARNING	1			FOLDABLE ROPS TYPE	0.005	0.011
130	6C140-47460	LABEL ROPS WARNING	1			RIGID ROPS TYPE	0.001	0.0022
130	3A111-95540	LABEL ROPS CAUTION	1	<=39586		FOLDABLE ROPS TYPE	0.003	0.0066
130	6C140-47460	LABEL ROPS WARNING	1	>=39587	≠	FOLDABLE ROPS TYPE	0.001	0.0022
140	6C140-54990	REFLECTOR LABEL	2				0.003	0.0066
150	TD060-99500	KIT LABEL SAFETY (A)	1				0.06	0.132
160	TA040-49342	LABEL M-PTO WARNING	1			OUT OF USE	0.001	0.0022
170	TA140-49920	LABEL SHUTTLE	1			OUT OF USE	0.005	0.011
180	TA240-49330	LABEL PARKING	1			OUT OF USE	0.005	0.011
190	TA040-49020	LABEL CAB WARNING	1			OUT OF USE	0.002	0.0044
200	TD060-49270	LABEL ROPS CAUTION	1	>=39587		FOLDABLE ROPS TYPE	0.002	0.0044



# OLD PARTS



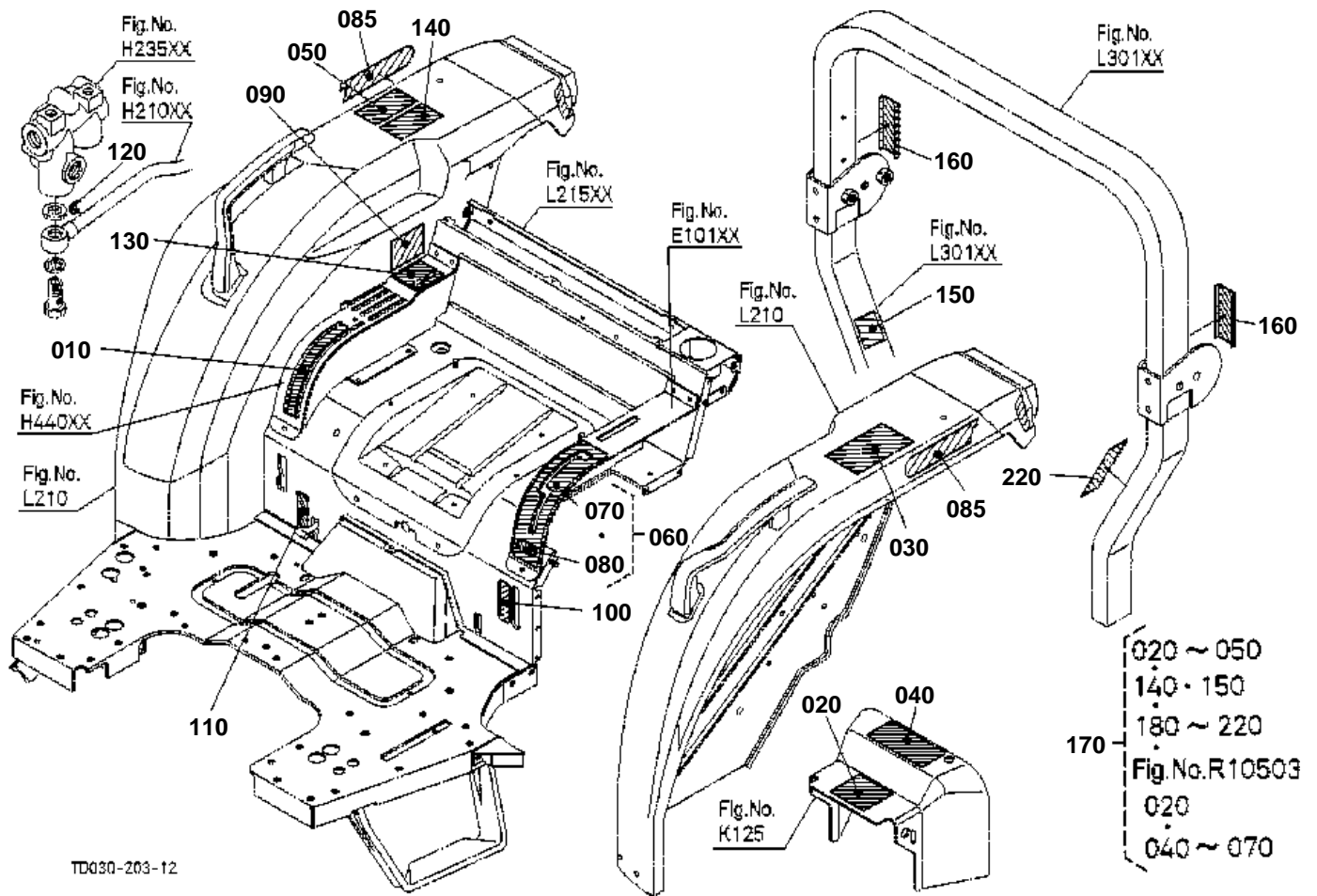
TD030-863-10



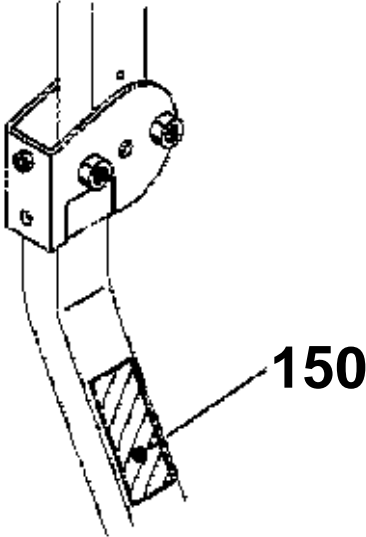
LABEL (REAR) [MANUAL T/M TYPE] [CA]

↔ Interchangeable; ≠ not interchangeable; ← new for old; → old for new

REF.No	Part No.	Description	Q'ty	S.No.	I/C	REMARKS	Weight (kgf)	Weight (lb)
010	TD060-49500	MARK POSITION	1	<=42572			0.008	0.0176
010	TD060-49502	MARK POSITION	1	>=42573	←		0.008	0.0176
020	TA040-49350	LABEL DRAWBAR	1			ENGLISH	0.002	0.0044
020	TA041-49350	LABEL DRAWBAR	1			FRENCH	0.003	0.0066
030	35260-34914	LABEL SAFETY	1			ENGLISH	0.005	0.011
030	TA041-65702	LABEL SAFETY	1			FRENCH	0.01	0.022
040	TA040-49590	LABEL PTO WARNING	1			ENGLISH	0.002	0.0044
040	TA041-49590	LABEL PTO WARNING	1			FRENCH	0.001	0.0022
050	TA140-49330	LABEL SHUTTLE	1			ENGLISH	0.005	0.011
050	TA141-49330	LABEL SHUTTLE	1			FRENCH	0.005	0.011
060	TD050-49210	MARK SHIFT	1				0.035	0.077
070	TD060-49300	LABEL I-PTO CAUTION	1				0.002	0.0044
080	TD060-49550	MARK 4WD	1				0.001	0.0022
090	TA040-49760	MARK DIFF.LOCK	1				0.001	0.0022
100	32430-65790	LABEL HYD.BLOCK	1				0.01	0.022
110	TD060-49162	MARK REAR PTO	1				0.009	0.0198
120	TA040-49320	LABEL ROPS WARNING	1			ENGLISH RIGID ROPS TYPE	0.001	0.0022
120	TA040-49150	LABEL ROPS WARNING	1			FRENCH RIGID ROPS TYPE	0.003	0.0066
120	TA240-98480	LABEL ROPS WARNING	1			ENGLISH FOLDABLE ROPS TYPE	0.005	0.011
120	3A112-98480	LABEL ROPS WARNING	1			FRENCH FOLDABLE ROPS TYPE	0.004	0.0088
130	6C140-47460	LABEL ROPS WARNING	1			ENGLISH RIGID ROPS TYPE	0.001	0.0022
130	6C141-47460	LABEL ROPS WARNING	1			FRENCH RIGID ROPS TYPE	0.001	0.0022
130	3A111-95540	LABEL ROPS CAUTION	1	<=39586		ENGLISH FOLDABLE ROPS TYPE	0.003	0.0066
130	6C140-47460	LABEL ROPS WARNING	1	>=39587	≠	ENGLISH FOLDABLE ROPS TYPE	0.001	0.0022
130	3A112-95540	LABEL ROPS CAUTION	1	<=39586		FRENCH FOLDABLE ROPS TYPE	0.003	0.0066
130	6C141-47460	LABEL ROPS WARNING	1	>=39587	≠	FRENCH FOLDABLE ROPS TYPE	0.001	0.0022
140	6C140-54990	REFLECTOR LABEL	2				0.003	0.0066
150	TD060-99500	KIT LABEL SAFETY (A)	1			ENGLISH	0.06	0.132
150	TD061-99500	KIT LABEL SAFETY (B)	1			FRENCH	0.05	0.11
160	TA040-49342	LABEL M-PTO WARNING	1			ENGLISH OUT OF USE	0.001	0.0022
160	TA041-49342	LABEL M-PTO WARNING	1			FRENCH OUT OF USE	0.003	0.0066
170	TA140-49920	LABEL SHUTTLE	1			ENGLISH OUT OF USE	0.005	0.011
170	TA141-49920	LABEL SHUTTLE	1			FRENCH OUT OF USE	0.005	0.011
180	TA240-49330	LABEL PARKING	1			ENGLISH OUT OF USE	0.005	0.011
180	TA241-49330	LABEL PARKING WARNIN	1			FRENCH OUT OF USE	0.005	0.011
190	TA040-49020	LABEL CAB WARNING	1			ENGLISH OUT OF USE	0.002	0.0044
190	TA043-49020	LABEL CAB WARNING	1			FRENCH OUT OF USE	0.005	0.011
200	TD060-49270	LABEL ROPS CAUTION	1	>=39587		ENGLISH FOLDABLE ROPS TYPE	0.002	0.0044
200	TD061-49270	LABEL ROPS CAUTION	1	>=39587		FRENCH FOLDABLE ROPS TYPE	0.003	0.0066



# OLD PARTS



TD030-851-10

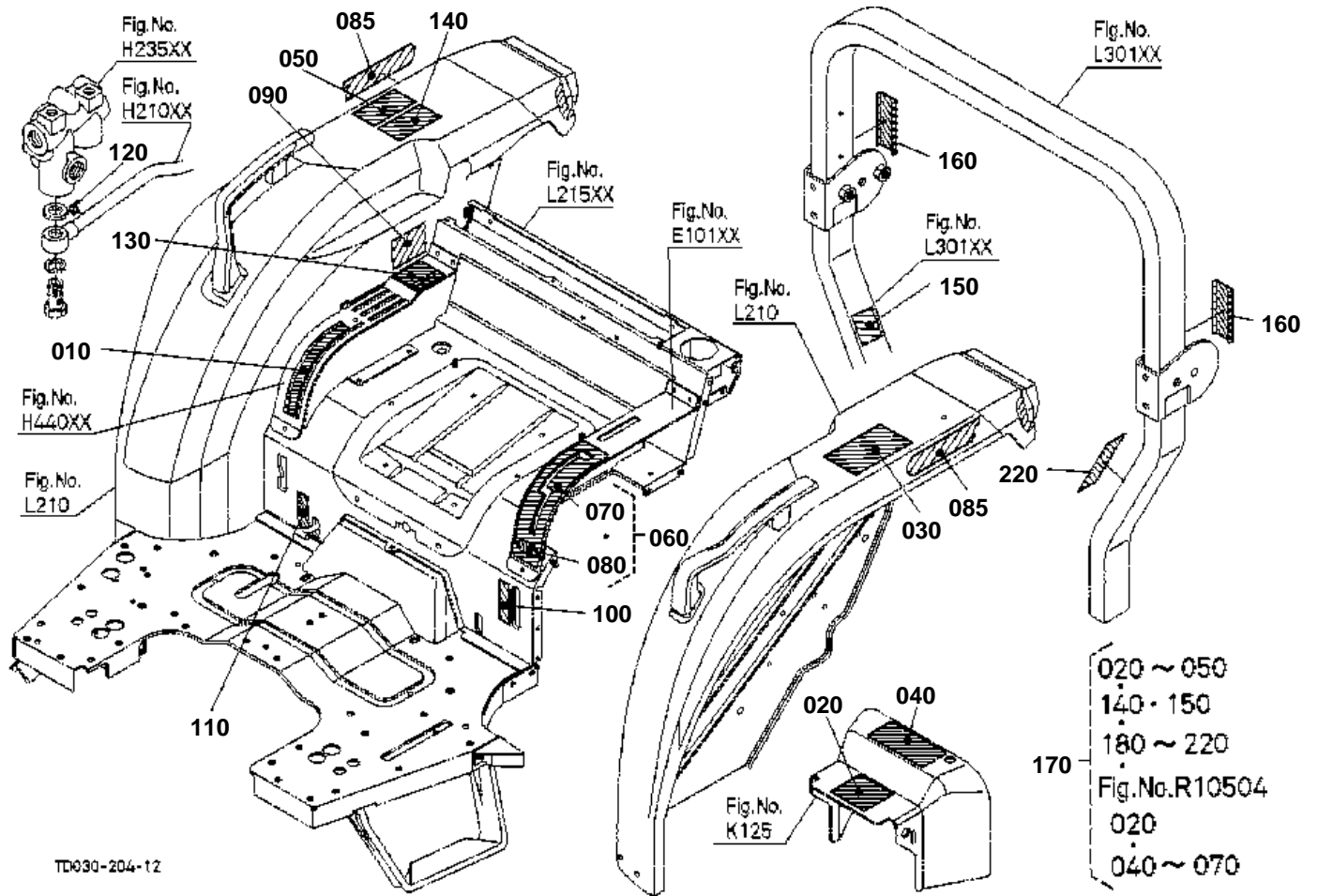


LABEL (REAR) [GST TYPE] [A]

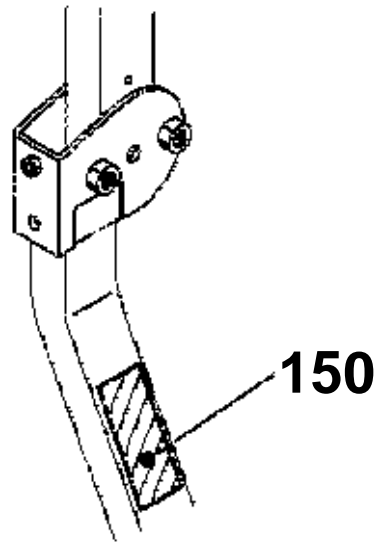
↔ Interchangeable; ≠ not interchangeable; ← new for old; → old for new

REF.No	Part No.	Description	Q'ty	S.No.	I/C	REMARKS	Weight (kgf)	Weight (lb)
010	TD060-49500	MARK POSITION	1	<=42572			0.008	0.0176
010	TD060-49502	MARK POSITION	1	>=42573	←		0.008	0.0176
020	TA040-49350	LABEL DRAWBAR	1				0.002	0.0044
030	35260-34914	LABEL SAFETY	1				0.005	0.011
040	TA040-49590	LABEL PTO WARNING	1				0.002	0.0044
050	TA140-49920	LABEL SHUTTLE	1				0.005	0.011
060	TD060-49210	MARK SHIFT GST	1				0.04	0.088
070	TD060-49200	MARK SHIFT GUIDE	1				0.04	0.088
080	TD060-49220	MARK GST	1				0.004	0.0088
085	TD060-48470	MARK GST FENDER	2				0.002	0.0044
090	TD060-49300	LABEL I-PTO CAUTION	1				0.002	0.0044
100	TD060-49550	MARK 4WD	1				0.001	0.0022
110	TA040-49760	MARK DIFF.LOCK	1				0.001	0.0022
120	32430-65790	LABEL HYD.BLOCK	1				0.01	0.022
130	TD060-49162	MARK REAR PTO	1				0.009	0.0198
140	TA040-49320	LABEL ROPS WARNING	1			RIGID ROPS TYPE	0.001	0.0022
140	TA240-98480	LABEL ROPS WARNING	1			FOLDABLE ROPS TYPE	0.005	0.011
150	6C140-47460	LABEL ROPS WARNING	1			RIGID ROPS TYPE	0.001	0.0022
150	3A111-95540	LABEL ROPS CAUTION	1	<=39586		FOLDABLE ROPS TYPE	0.003	0.0066
150	6C140-47460	LABEL ROPS WARNING	1	>=39587	≠	FOLDABLE ROPS TYPE	0.001	0.0022
160	6C140-54990	REFLECTOR LABEL	2				0.003	0.0066
170	TD060-99500	KIT LABEL SAFETY (A)	1				0.06	0.132
180	TA040-49342	LABEL M-PTO WARNING	1			OUT OF USE	0.001	0.0022
190	TA140-49330	LABEL SHUTTLE	1			OUT OF USE	0.005	0.011
200	TA240-49330	LABEL PARKING	1			OUT OF USE	0.005	0.011
210	TA040-49020	LABEL CAB WARNING	1			OUT OF USE	0.002	0.0044
220	TD060-49270	LABEL ROPS CAUTION	1	>=39587		FOLDABLE ROPS TYPE	0.002	0.0044





# OLD PARTS



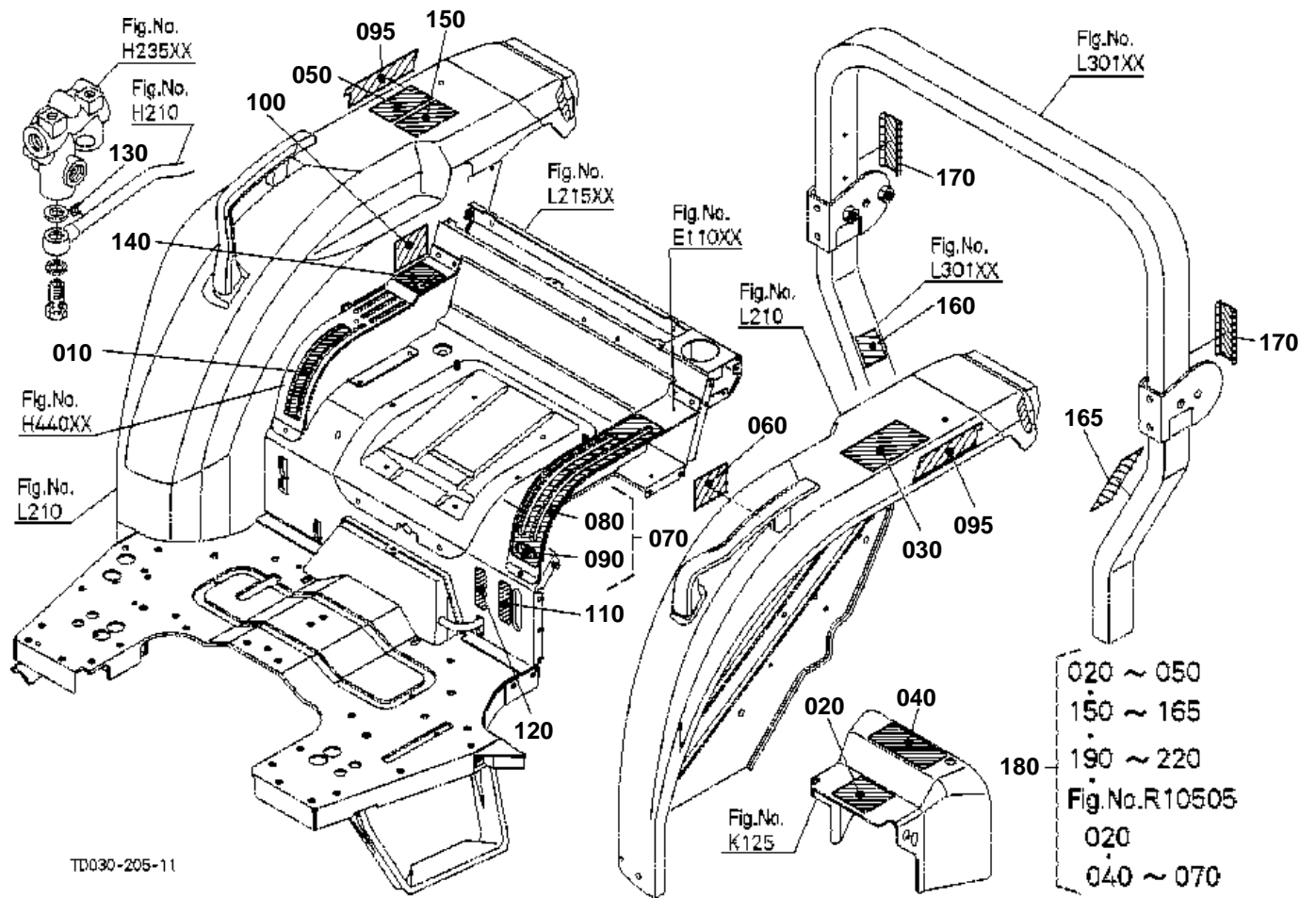
TD030-851-10



LABEL (REAR) [GST TYPE] [CA]

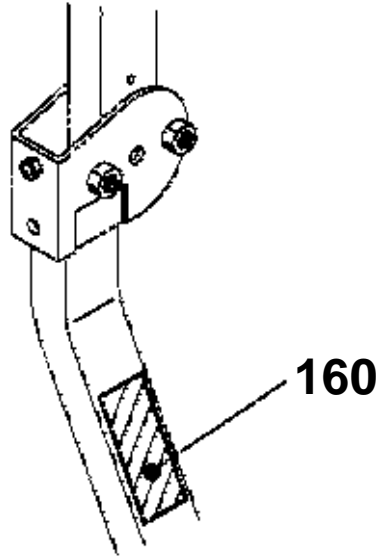
↔ Interchangeable; ≠ not interchangeable; ← new for old; → old for new

REF.No	Part No.	Description	Q'ty	S.No.	I/C	REMARKS	Weight (kgf)	Weight (lb)
010	TD060-49500	MARK POSITION	1	<=42572			0.008	0.0176
010	TD060-49502	MARK POSITION	1	>=42573	←		0.008	0.0176
020	TA040-49350	LABEL DRAWBAR	1			ENGLISH	0.002	0.0044
020	TA041-49350	LABEL DRAWBAR	1			FRENCH	0.003	0.0066
030	35260-34914	LABEL SAFETY	1			ENGLISH	0.005	0.011
030	TA041-65702	LABEL SAFETY	1			FRENCH	0.01	0.022
040	TA040-49590	LABEL PTO WARNING	1			ENGLISH	0.002	0.0044
040	TA041-49590	LABEL PTO WARNING	1			FRENCH	0.001	0.0022
050	TA140-49920	LABEL SHUTTLE	1			ENGLISH	0.005	0.011
050	TA141-49920	LABEL SHUTTLE	1			FRENCH	0.005	0.011
060	TD060-49210	MARK SHIFT GST	1				0.04	0.088
070	TD060-49200	MARK SHIFT GUIDE	1				0.04	0.088
080	TD060-49220	MARK GST	1				0.004	0.0088
085	TD060-48470	MARK GST FENDER	2				0.002	0.0044
090	TD060-49300	LABEL I-PTO CAUTION	1				0.002	0.0044
100	TD060-49550	MARK 4WD	1				0.001	0.0022
110	TA040-49760	MARK DIFF.LOCK	1				0.001	0.0022
120	32430-65790	LABEL HYD.BLOCK	1				0.01	0.022
130	TD060-49162	MARK REAR PTO	1				0.009	0.0198
140	TA040-49320	LABEL ROPS WARNING	1			ENGLISH RIGID ROPS TYPE	0.001	0.0022
140	TA040-49150	LABEL ROPS WARNING	1			FRENCH RIGID ROPS TYPE	0.003	0.0066
140	TA240-98480	LABEL ROPS WARNING	1			ENGLISH FOLDABLE ROPS TYPE	0.005	0.011
140	3A112-98480	LABEL ROPS WARNING	1			FRENCH FOLDABLE ROPS TYPE	0.004	0.0088
150	6C140-47460	LABEL ROPS WARNING	1			ENGLISH RIGID ROPS TYPE	0.001	0.0022
150	6C141-47460	LABEL ROPS WARNING	1			FRENCH RIGID ROPS TYPE	0.001	0.0022
150	3A111-95540	LABEL ROPS CAUTION	1	<=39586		ENGLISH FOLDABLE ROPS TYPE	0.003	0.0066
150	6C140-47460	LABEL ROPS WARNING	1	>=39587	≠	ENGLISH FOLDABLE ROPS TYPE	0.001	0.0022
150	3A112-95540	LABEL ROPS CAUTION	1	<=39586		FRENCH FOLDABLE ROPS TYPE	0.003	0.0066
150	6C141-47460	LABEL ROPS WARNING	1	>=59587	≠	FRENCH FOLDABLE ROPS TYPE	0.001	0.0022
160	6C140-54990	REFLECTOR LABEL	2				0.003	0.0066
170	TD060-99500	KIT LABEL SAFETY (A)	1			ENGLISH	0.06	0.132
170	TD061-99500	KIT LABEL SAFETY (B)	1			FRENCH	0.05	0.11
180	TA040-49342	LABEL M-PTO WARNING	1			ENGLISH OUT OF USE	0.001	0.0022
180	TA041-49342	LABEL M-PTO WARNING	1			FRENCH OUT OF USE	0.003	0.0066
190	TA140-49330	LABEL SHUTTLE	1			ENGLISH OUT OF USE	0.005	0.011
190	TA141-49330	LABEL SHUTTLE	1			FRENCH OUT OF USE	0.005	0.011
200	TA240-49330	LABEL PARKING	1			ENGLISH OUT OF USE	0.005	0.011
200	TA241-49330	LABEL PARKING WARNIN	1			FRENCH OUT OF USE	0.005	0.011
210	TA040-49020	LABEL CAB WARNING	1			ENGLISH OUT OF USE	0.002	0.0044
210	TA043-49020	LABEL CAB WARNING	1			FRENCH OUT OF USE	0.005	0.011
220	TD060-49270	LABEL ROPS CAUTION	1	>=59587		ENGLISH FOLDABLE ROPS TYPE	0.002	0.0044
220	TD061-49270	LABEL ROPS CAUTION	1	>=39587		FRENCH FOLDABLE ROPS TYPE	0.003	0.0066



TD030-205-11

# OLD PARTS



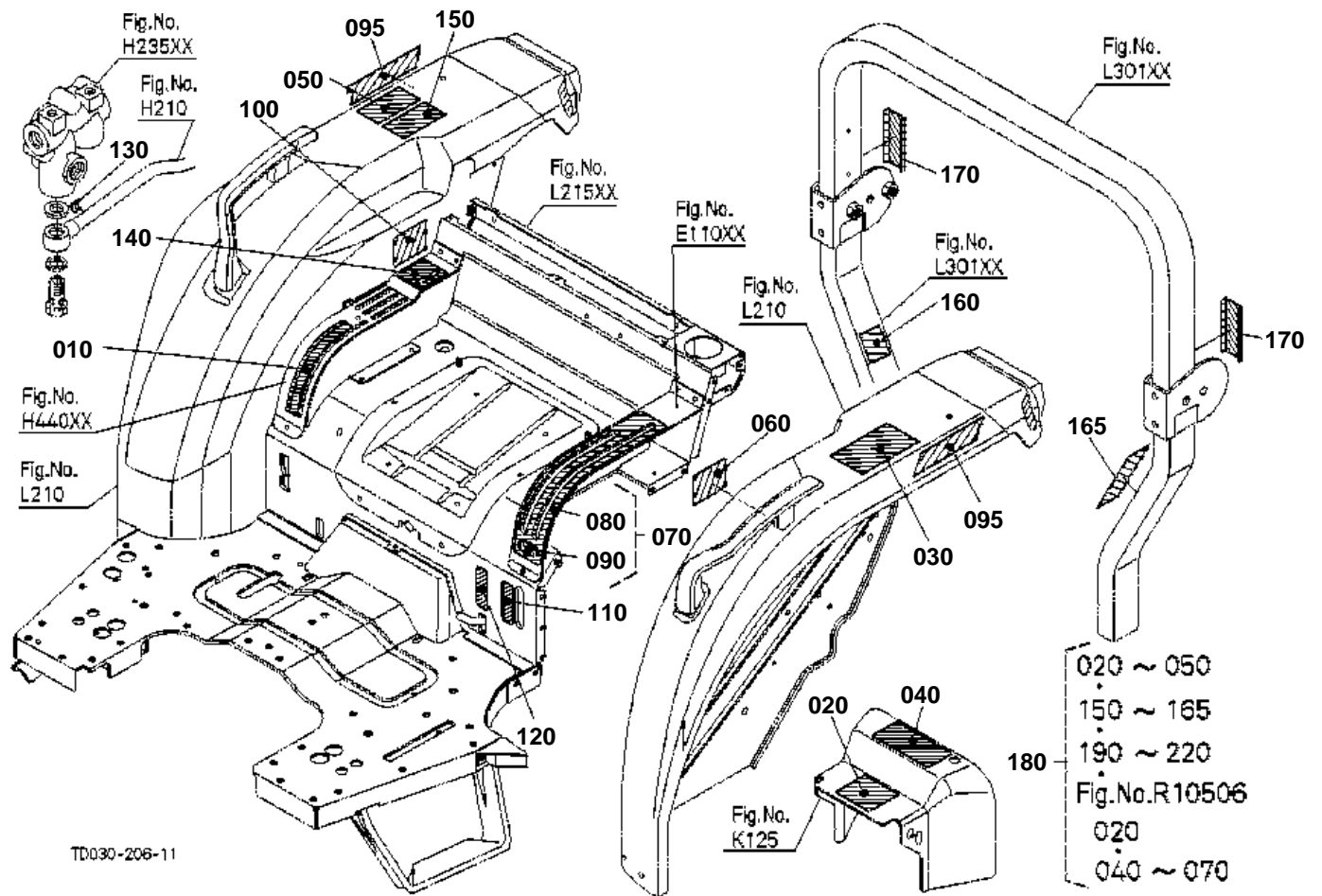
TD030-864-10



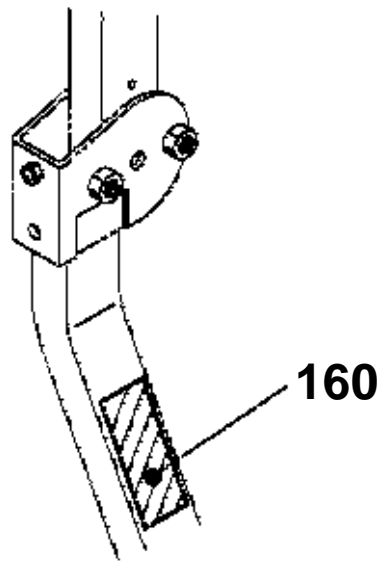
LABEL (REAR) [HST TYPE] [ROPS TYPE] [A]

↔ Interchangeable; ≠ not interchangeable; ← new for old; → old for new

REF.No	Part No.	Description	Q'ty	S.No.	I/C	REMARKS	Weight (kgf)	Weight (lb)
010	TD060-49500	MARK POSITION	1	<=42572			0.008	0.0176
010	TD060-49502	MARK POSITION	1	>=42573	←		0.008	0.0176
020	TA040-49350	LABEL DRAWBAR	1				0.002	0.0044
030	35260-34914	LABEL SAFETY	1				0.005	0.011
040	TA040-49590	LABEL PTO WARNING	1				0.002	0.0044
050	TA240-49330	LABEL PARKING	1				0.005	0.011
060	TD060-57850	LABEL	1	<=43513			0.002	0.0044
060	TD060-57852	LABEL	1	>=43514	←		0.002	0.0044
070	TD050-57570	MARK SPEED CHANGE	1				0.047	0.1034
080	TD050-57580	MARK GUIDE	1				0.043	0.0946
090	TD060-57590	MARK HST	1				0.004	0.0088
095	TD060-57610	MARK HST FENDER	2				0.002	0.0044
100	TD060-49300	LABEL I-PTO CAUTION	1				0.002	0.0044
110	TD060-49550	MARK 4WD	1				0.001	0.0022
120	TA040-49760	MARK DIFF.LOCK	1				0.001	0.0022
130	32430-65790	LABEL HYD.BLOCK	1				0.01	0.022
140	TD060-49162	MARK REAR PTO	1				0.009	0.0198
150	TA040-49320	LABEL ROPS WARNING	1			RIGID ROPS TYPE	0.001	0.0022
150	TA240-98480	LABEL ROPS WARNING	1			FOLDABLE ROPS TYPE	0.005	0.011
160	6C140-47460	LABEL ROPS WARNING	1			RIGID ROPS TYPE	0.001	0.0022
160	3A111-95540	LABEL ROPS CAUTION	1	<=39586		FOLDABLE ROPS TYPE	0.003	0.0066
160	6C140-47460	LABEL ROPS WARNING	1	>=39587	≠	FOLDABLE ROPS TYPE	0.001	0.0022
165	TD060-49270	LABEL ROPS CAUTION	1	>=39587		FOLDABLE ROPS TYPE	0.002	0.0044
170	6C140-54990	REFLECTOR LABEL	2				0.003	0.0066
180	TD060-99500	KIT LABEL SAFETY (A)	1				0.06	0.132
190	TA040-49342	LABEL M-PTO WARNING	1			OUT OF USE	0.001	0.0022
200	TA140-49920	LABEL SHUTTLE	1			OUT OF USE	0.005	0.011
210	TA140-49330	LABEL SHUTTLE	1			OUT OF USE	0.005	0.011
220	TA040-49020	LABEL CAB WARNING	1			OUT OF USE	0.002	0.0044



# OLD PARTS



TD030-864-10





LABEL (REAR) [HST TYPE] [ROPS TYPE] [CA]

↔ Interchangeable; ≠ not interchangeable; ← new for old; → old for new

REF.No	Part No.	Description	Q'ty	S.No.	I/C	REMARKS	Weight (kgf)	Weight (lb)
010	TD060-49500	MARK POSITION	1	<=42572			0.008	0.0176
010	TD060-49502	MARK POSITION	1	>=42573	←		0.008	0.0176
020	TA040-49350	LABEL DRAWBAR	1			ENGLISH	0.002	0.0044
020	TA041-49350	LABEL DRAWBAR	1			FRENCH	0.003	0.0066
030	35260-34914	LABEL SAFETY	1			ENGLISH	0.005	0.011
030	TA041-65702	LABEL SAFETY	1			FRENCH	0.01	0.022
040	TA040-49590	LABEL PTO WARNING	1			ENGLISH	0.002	0.0044
040	TA041-49590	LABEL PTO WARNING	1			FRENCH	0.001	0.0022
050	TA240-49330	LABEL PARKING	1			ENGLISH	0.005	0.011
050	TA241-49330	LABEL PARKING WARNIN	1			FRENCH	0.005	0.011
060	TD060-57850	LABEL	1	<=43513			0.002	0.0044
060	TD060-57852	LABEL	1	>=43514	←		0.002	0.0044
070	TD050-57570	MARK SPEED CHANGE	1				0.047	0.1034
080	TD050-57580	MARK GUIDE	1				0.043	0.0946
090	TD060-57590	MARK HST	1				0.004	0.0088
095	TD060-57610	MARK HST FENDER	2				0.002	0.0044
100	TD060-49300	LABEL I-PTO CAUTION	1				0.002	0.0044
110	TD060-49550	MARK 4WD	1				0.001	0.0022
120	TA040-49760	MARK DIFF.LOCK	1				0.001	0.0022
130	32430-65790	LABEL HYD.BLOCK	1				0.01	0.022
140	TD060-49162	MARK REAR PTO	1				0.009	0.0198
150	TA040-49320	LABEL ROPS WARNING	1			ENGLISH RIGID ROPS TYPE	0.001	0.0022
150	TA040-49150	LABEL ROPS WARNING	1			FRENCH RIGID ROPS TYPE	0.003	0.0066
150	TA240-98480	LABEL ROPS WARNING	1			ENGLISH FOLDABLE ROPS TYPE	0.005	0.011
150	3A112-98480	LABEL ROPS WARNING	1			FRENCH FOLDABLE ROPS TYPE	0.004	0.0088
160	6C140-47460	LABEL ROPS WARNING	1			ENGLISH RIGID ROPS TYPE	0.001	0.0022
160	6C141-47460	LABEL ROPS WARNING	1			FRENCH RIGID ROPS TYPE	0.001	0.0022
160	3A111-95540	LABEL ROPS CAUTION	1	<=39586		ENGLISH FOLDABLE ROPS TYPE	0.003	0.0066
160	6C140-47460	LABEL ROPS WARNING	1	>=39587	≠	ENGLISH FOLDABLE ROPS TYPE	0.001	0.0022
160	3A112-95540	LABEL ROPS CAUTION	1	<=39586		FRENCH FOLDABLE ROPS TYPE	0.003	0.0066
160	6C141-47460	LABEL ROPS WARNING	1	>=39587	≠	FRENCH FOLDABLE ROPS TYPE	0.001	0.0022
165	TD060-49270	LABEL ROPS CAUTION	1	>=39587		ENGLISH FOLDABLE ROPS TYPE	0.002	0.0044
165	TD061-49270	LABEL ROPS CAUTION	1	>=39587		FRENCH FOLDABLE ROPS TYPE	0.003	0.0066
170	6C140-54990	REFLECTOR LABEL	2				0.003	0.0066
180	TD060-99500	KIT LABEL SAFETY (A)	1			ENGLISH	0.06	0.132
180	TD061-99500	KIT LABEL SAFETY (B)	1			FRENCH	0.05	0.11
190	TA040-49342	LABEL M-PTO WARNING	1			ENGLISH OUT OF USE	0.001	0.0022
190	TA041-49342	LABEL M-PTO WARNING	1			FRENCH OUT OF USE	0.003	0.0066
200	TA140-49920	LABEL SHUTTLE	1			ENGLISH OUT OF USE	0.005	0.011
200	TA141-49920	LABEL SHUTTLE	1			FRENCH OUT OF USE	0.005	0.011
210	TA140-49330	LABEL SHUTTLE	1			ENGLISH OUT OF USE	0.005	0.011
210	TA141-49330	LABEL SHUTTLE	1			FRENCH OUT OF USE	0.005	0.011
220	TA040-49020	LABEL CAB WARNING	1			ENGLISH OUT OF USE	0.002	0.0044
220	TA043-49020	LABEL CAB WARNING	1			FRENCH OUT OF USE	0.005	0.011

**ACCESSORIES AND SERVICE PARTS  
ACCESSOIRES ET PIECES DE SERVICE  
SONTIGES ZUBEHOER UND SERVICE-TEILE**

TITLE-001-10

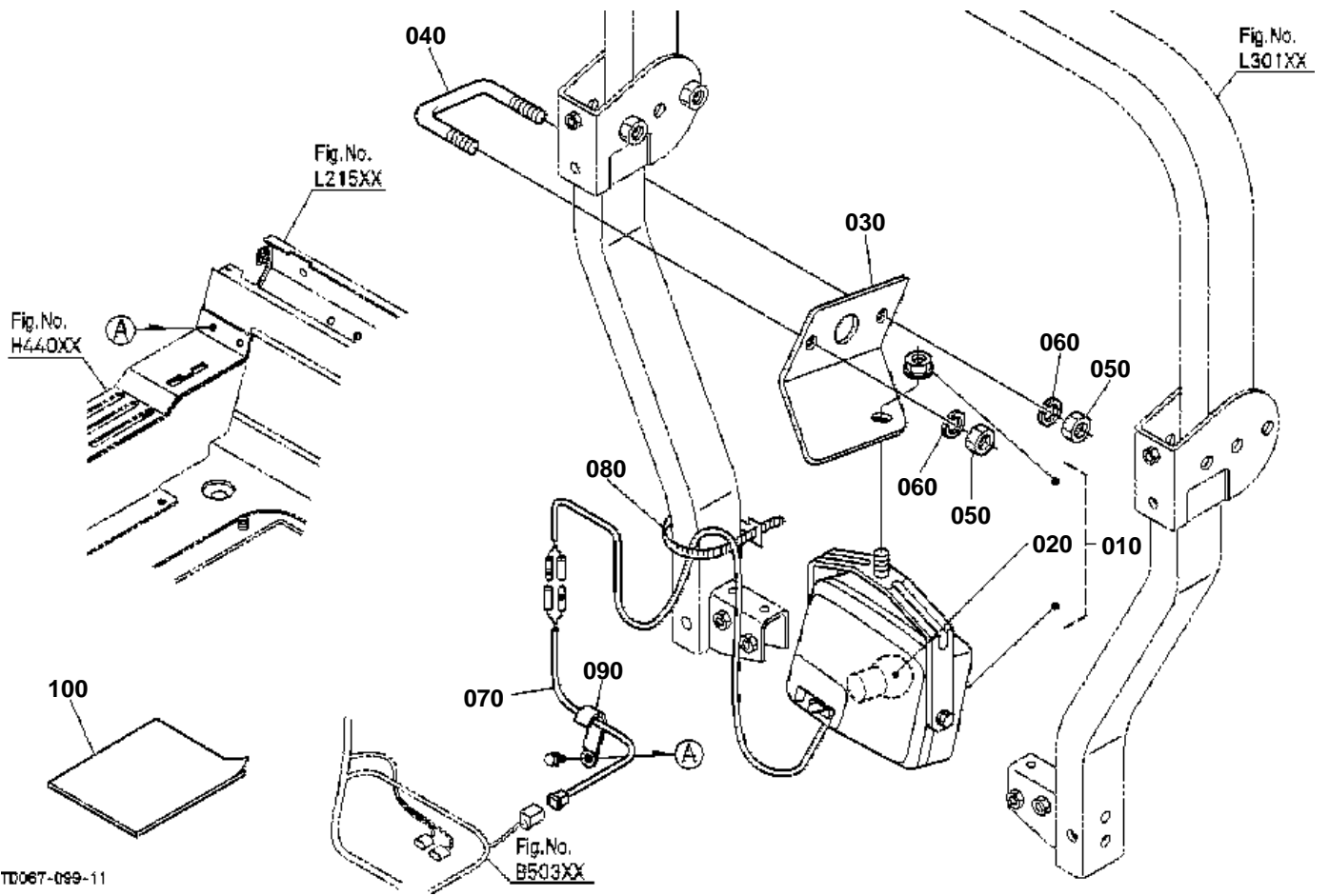


## ACCESSORIES AND SERVICE PARTS

↔ Interchangeable; ≠ not interchangeable; ← new for old; → old for new

REF.No	Part No.	Description	Q'ty	S.No.	I/C	REMARKS	Weight (kgf)	Weight (lb)
010	TD060-19710	OPERATOR'S MANUAL	1	≤45718		ENGLISH	0.24	0.528
010	TD060-19712	OPERATOR'S MANUAL	1	≥45719	←	ENGLISH	0.24	0.528
010	TD060-19720	OPERATOR'S MANUAL	1	≤45718		FRENCH [CA]	0	0
010	TD060-19722	OPERATOR'S MANUAL	1	≥45719	←	FRENCH [CA]	0	0
030	1G511-89810	STATEMENT WARRANTY	1	≤47838			0.01	0.022
030	1G511-89814	STATEMENT WARRANTY	1	≥47839	←		0.01	0.022
040	01033-51630	BOLT	8			FOR REAR WHEEL	0.09	0.198
050	04512-60160	WASHER SPRING	4			FOR REAR WHEEL	0.01	0.022
060	02076-50160	NUT	4			FOR REAR WHEEL	0.03	0.066
070	01517-51632	STUD	4			FOR REAR WHEEL	0.076	0.1672
080	TA150-49160	STUD WHEEL	12			FOR FRONT WHEEL	0.05	0.11
090	04512-60140	WASHER SPRING	12			FOR FRONT WHEEL	0.008	0.0176
100	35340-11390	NUT	12			FOR FRONT WHEEL	0.03	0.066
110	35260-31852	ASSY KEY MAIN SWITCH	1			ROPS TYPE	0.03	0.066
180	TD060-19732	OPERATOR'S MANUAL	1			FOR PANEL ENGLISH	0.025	0.055
180	TD063-19730	OPERATOR'S MANUAL	1			FOR PANEL FRENCH [CA]	0.002	0.0044

WORKING LIGHT KIT [ROPS TYPE] [OPTION]



TD067-099-11

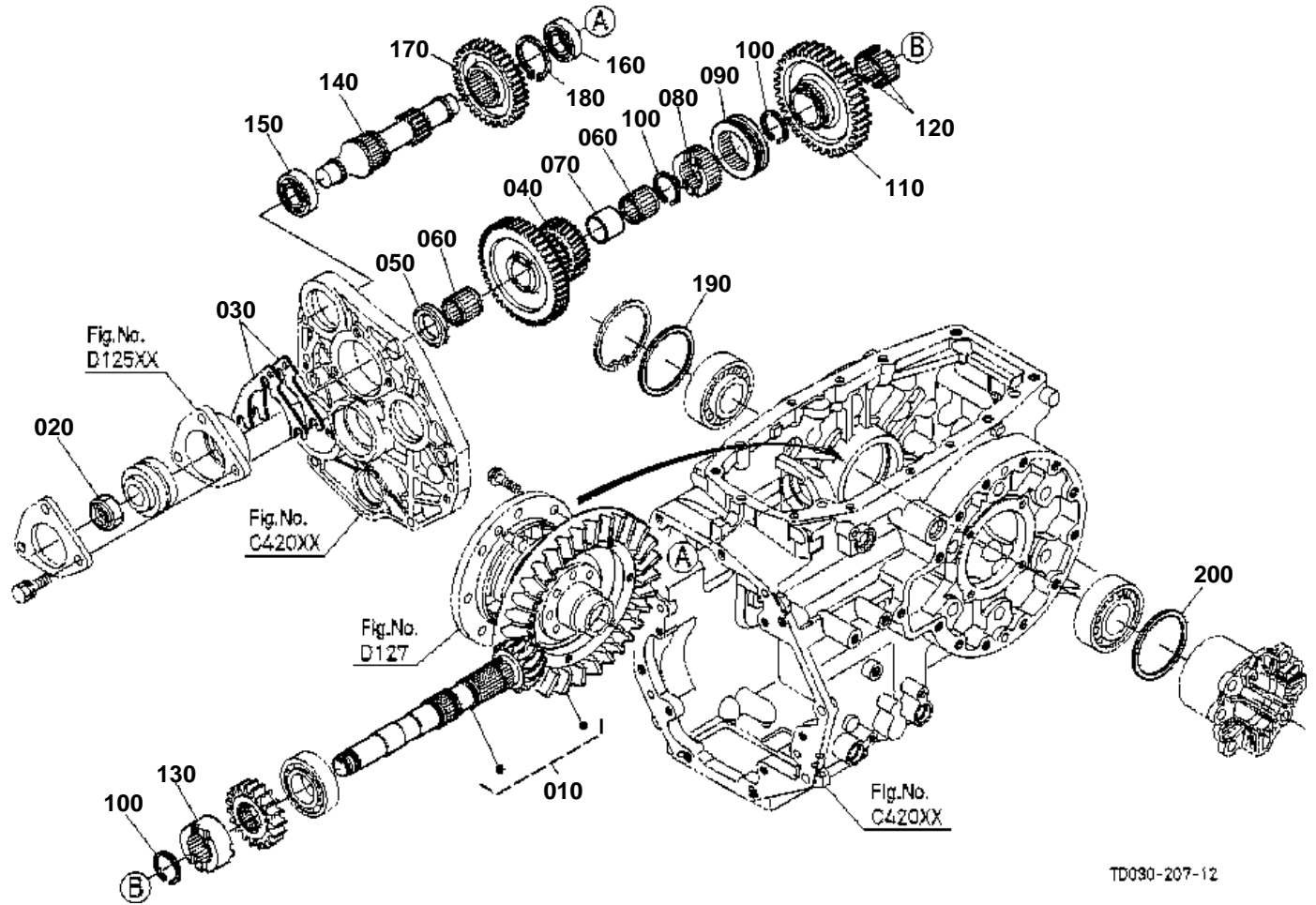


# WORKING LIGHT KIT [ROPS TYPE] [OPTION]

↔ Interchangeable; ≠ not interchangeable; ← new for old; → old for new

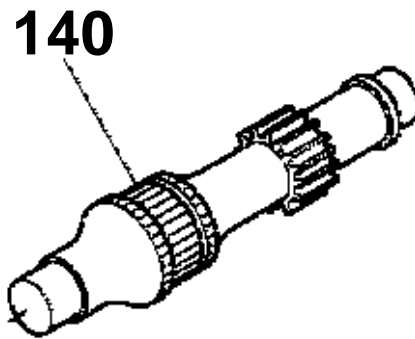
REF.No	Part No.	Description	Q'ty	S.No.	I/C	REMARKS	Weight (kgf)	Weight (lb)
010	3A011-75903	ASSY LIGHT WORKING	1				0.64	1.408
020	3A011-75930	BULB	1			35W	0.008	0.0176
030	3A012-75910	STAY WORKING LIGHT	1				0.64	1.408
040	3A011-75922	U-BOLT	1				0.117	0.2574
050	02176-50100	NUT	2				0.005	0.011
060	04512-60100	WASHER SPRING	2				0.002	0.0044
070	TD060-39910	HARNESS	1				0.025	0.055
080	32751-96300	BAND WORK LIGHT	2				0.005	0.011
090	13824-67580	CLAMP CORD	1				0.006	0.0132
100	99999-99999	MANUAL ASSEMBLY	1				0	0

CREEP SPEED KIT (GEAR SHAFT) [EXCEPT HST TYPE] [OPTION]



TD090-207-12

## OLD PARTS



TD060-854-10

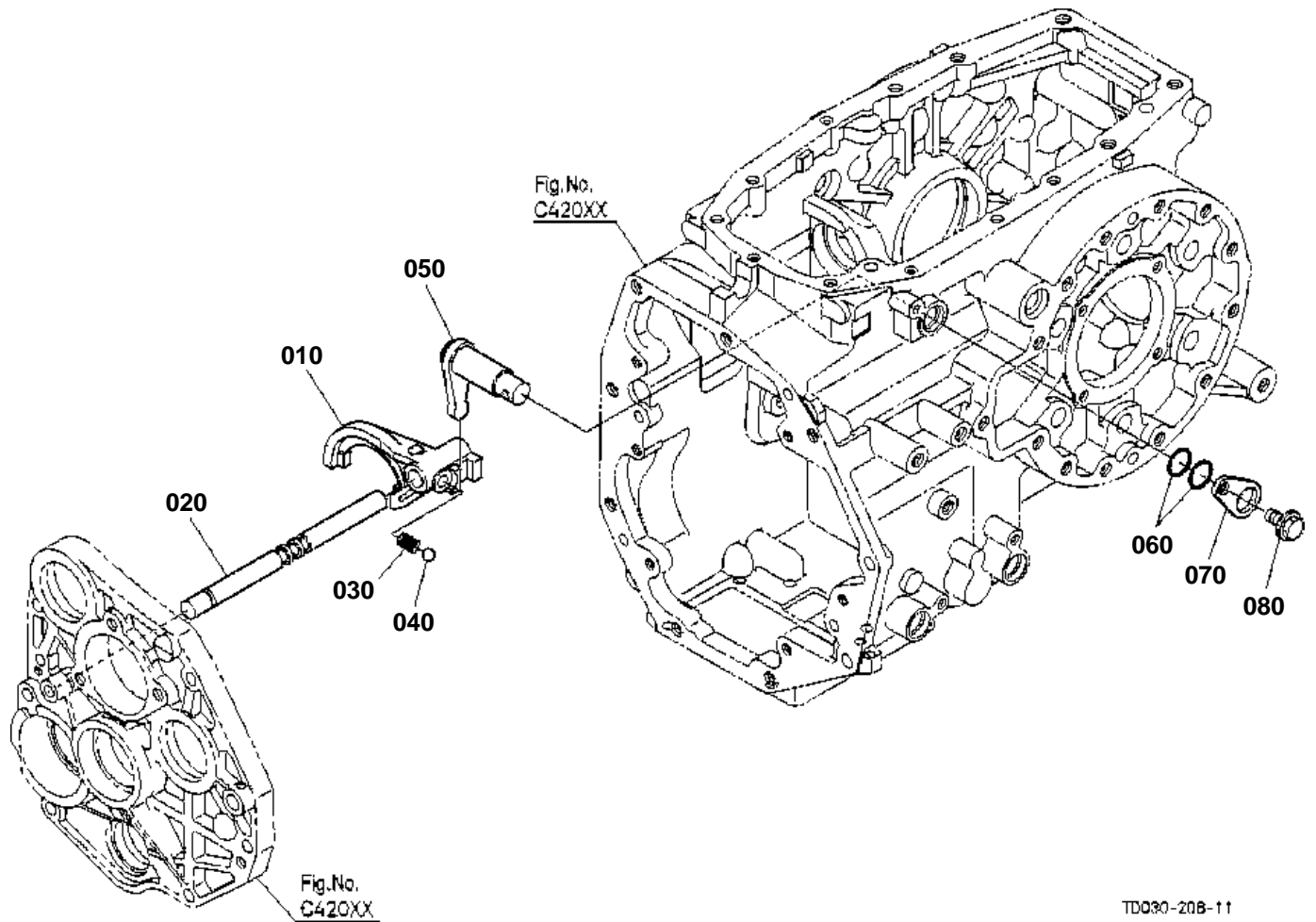


CREEP SPEED KIT (GEAR SHAFT) [EXCEPT HST TYPE] [OPTION]

↔ Interchangeable; ≠ not interchangeable; ← new for old; → old for new

REF.No	Part No.	Description	Q'ty	S.No.	I/C	REMARKS	Weight (kgf)	Weight (lb)
010	T1150-99340	ASSY GEAR BEVEL	1			6-37T	5.825	12.815
020	35260-23252	NUT	1				0.04	0.088
030	34070-22860	SHIM	2			0.5mm	0.015	0.033
030	34070-22870	SHIM	4			0.2mm	0.004	0.0088
030	34070-22880	SHIM	2			0.1mm	0.005	0.011
040	TD060-22710	GEAR SUB	1			49-19-20T	1.84	4.048
050	32420-67662	COLLAR THRUST	1				0.005	0.011
060	T1063-62480	BEARING NEEDLE	2				0.027	0.0594
070	T1060-22733	COLLAR	1				0.034	0.0748
080	T1060-22820	COUPLING	1				0.15	0.33
090	TD060-22830	SHIFTER CREEP	1				0.17	0.374
100	T1060-22880	CIR CLIP EXTERNAL	3				0.005	0.011
100	T1060-22882	CIR CLIP EXTERNAL	3		←		0.005	0.011
110	T1060-22862	GEAR CREEP	1			50T	1.135	2.497
120	T1060-22870	BEARING NEEDLE	1			SET	0.02	0.044
130	T1060-22793	COUPLING	1				0.2	0.44
140	T1060-22900	GEAR-SHAFT CREEP	1	≤47576		13T	1.29	2.838
140	T1060-22902	GEAR-SHAFT CREEP	1	≥47577	←	13T	1.29	2.838
150	08101-06305	BEARING BALL	1				0.23	0.506
160	08101-06205	BEARING BALL	1				0.14	0.308
170	T1060-22910	GEAR CREEP	1			44T	0.675	1.485
180	04612-00450	CIR CLIP EXTERNAL	1				0.007	0.0154
190	37410-16810	SHIM DIFFERENTIAL	1			0.4mm	0.01	0.022
190	37410-16820	SHIM DIFFERENTIAL	1			0.5mm	0.01	0.022
190	37410-16830	SHIM DIFFERENTIAL	1			0.6mm	0.01	0.022
190	37410-16840	SHIM DIFFERENTIAL	1			0.7mm	0.01	0.022
190	37410-16850	SHIM DIFFERENTIAL	1			0.8mm	0.008	0.0176
190	37410-16860	SHIM DIFFERENTIAL	1			0.9mm	0.009	0.0198
190	37410-16870	SHIM DIFFERENTIAL	1			1.0mm	0.01	0.022
190	37410-16880	SHIM DIFFERENTIAL	1			1.2mm	0.011	0.0242
190	37410-16890	SHIM DIFFERENTIAL	1			1.4mm	0.015	0.033
200	34070-28210	SHIM	1			0.4mm	0.01	0.022
200	34070-28230	SHIM	1			0.6mm	0.015	0.033
200	34070-28250	SHIM	1			0.8mm	0.015	0.033
200	34070-28270	SHIM	1			1.0mm	0.015	0.033
200	34070-28290	SHIM	1			1.2mm	0.02	0.044
200	34070-28310	SHIM	1			1.4mm	0.025	0.055



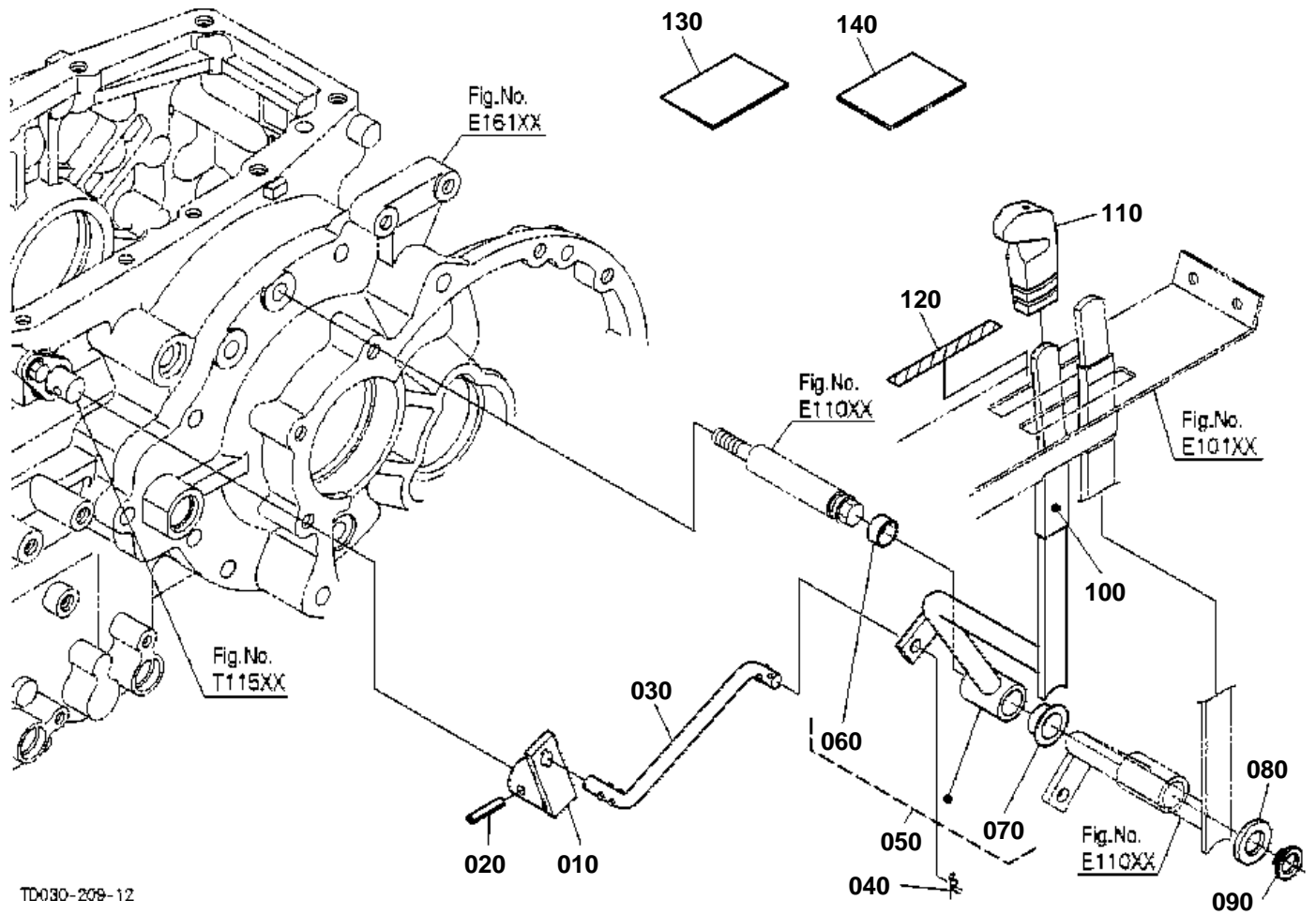


**CREEP SPEED KIT (SHIFT FORK) [EXCEPT HST TYPE] [OPTION]**

↔ interchangeable; ≠ not interchangeable; ← new for old; → old for new

REF.No	Part No.	Description	Q'ty	S.No.	I/C	REMARKS	Weight (kgf)	Weight (lb)
010	T1060-24500	FORK CREEP SHIFT	1				0.159	0.3498
020	T1150-24510	ROD FORK	1				0.17	0.374
030	T1060-24180	SPRING	1				0.003	0.0066
040	07715-01605	BALL	1				0.003	0.0066
050	T1060-24520	ARM CREEP SHIFT	1				0.235	0.517
060	04816-00200	O RING	2				0.003	0.0066
070	34070-24350	STOPPER	1				0.02	0.044
080	01754-50812	BOLT FLANGE	1				0.01	0.022

CREEP SPEED KIT (SHIFT LEVER) [MANUAL T/M TYPE] [OPTION]

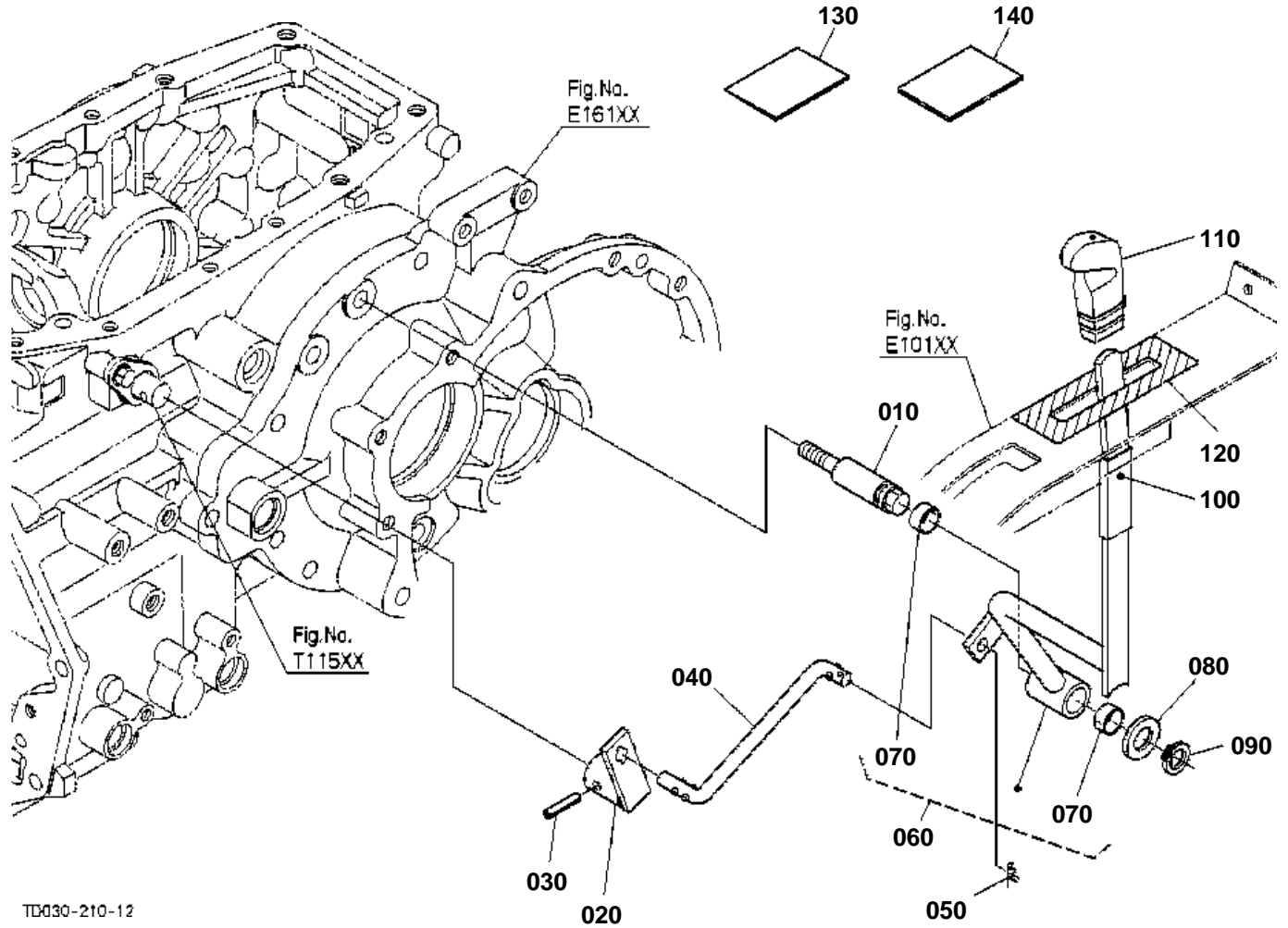


TD030-209-12

**CREEP SPEED KIT (SHIFT LEVER) [MANUAL T/M TYPE] [OPTION]**

↔ interchangeable; ≠ not interchangeable; ← new for old; → old for new

REF.No	Part No.	Description	Q'ty	S.No.	I/C	REMARKS	Weight (kgf)	Weight (lb)
010	T1060-24560	LEVER CREEP	1				0.15	0.33
020	05411-00630	PIN SPRING	1				0.004	0.0088
030	T1060-24580	ROD CREEP	1				0.105	0.231
040	05515-61000	PIN SNAP	1				0.002	0.0044
050	TD050-24550	ASSY LEVER CREEP	1				0.85	1.87
060	T1060-24460	BUSH	1				0.005	0.011
070	T1060-24570	BUSH	1				0.005	0.011
080	04011-50180	WASHER PLAIN	1				0.012	0.0264
090	04612-00180	CIR CLIP EXTERNAL	1				0.001	0.0022
100	T0070-24570	TUBE CREEP LEVER	1				0.005	0.011
110	TD060-24490	GRIP LEVER	1				0.045	0.099
120	TD050-49240	MARK CREEP	1				0.001	0.0022
130	99999-99999	MANUAL ASSEMBLY	1				0	0
140	99999-99999	MANUAL INSTRUCTION	1				0	0

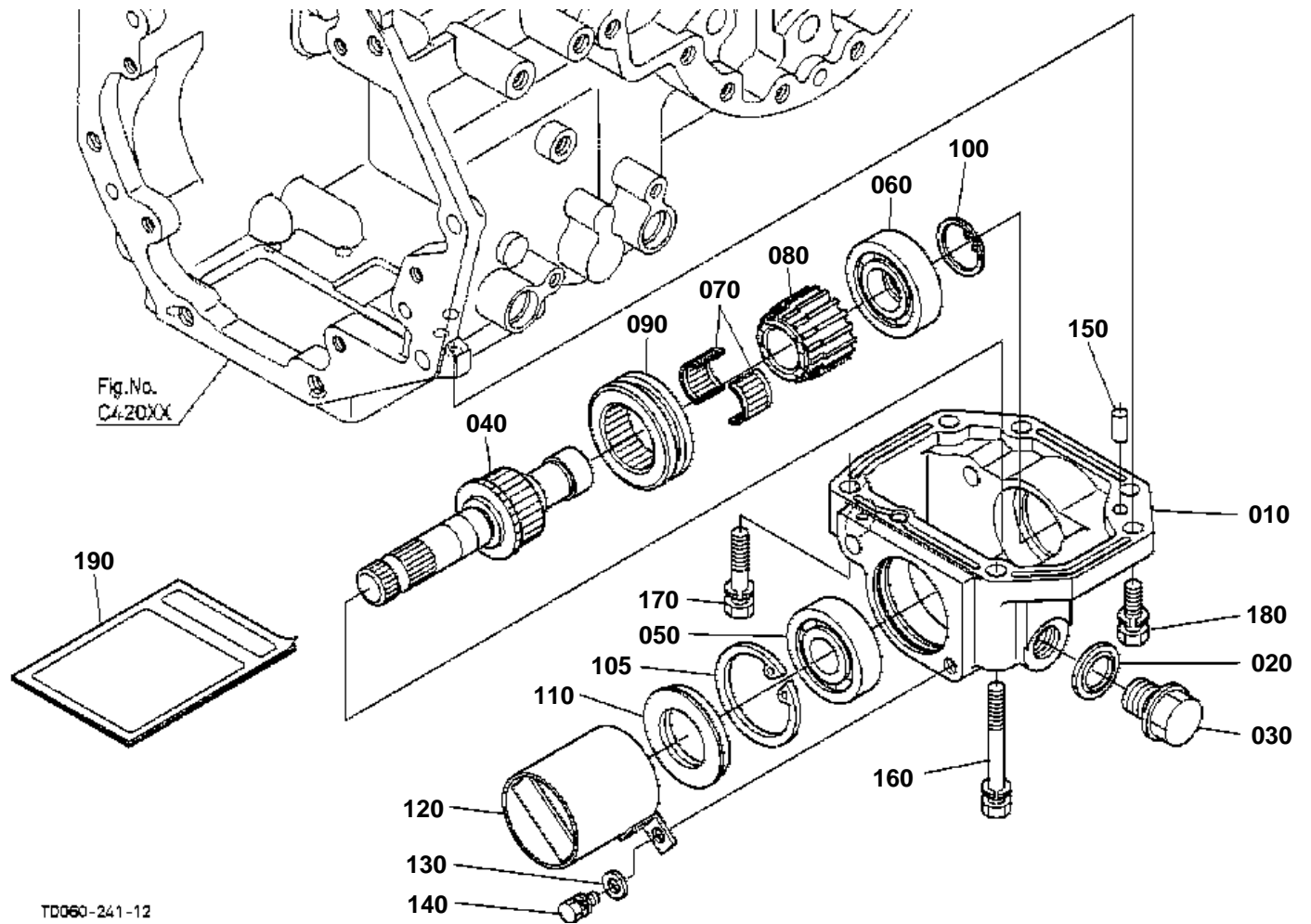


TX030-210-12

**CREEP SPEED KIT (SHIFT LEVER) [GST TYPE] [OPTION]**

↔ interchangeable; ≠ not interchangeable; ← new for old; → old for new

REF.No	Part No.	Description	Q'ty	S.No.	I/C	REMARKS	Weight (kgf)	Weight (lb)
010	T1083-24430	BOLT	1				0.13	0.286
020	T1060-24560	LEVER CREEP	1				0.15	0.33
030	05411-00630	PIN SPRING	1				0.004	0.0088
040	T1060-24580	ROD CREEP	1				0.105	0.231
050	05515-61000	PIN SNAP	1				0.002	0.0044
060	TD060-24550	ASSY LEVER CREEP	1				0.845	1.859
070	T1060-24460	BUSH	2				0.005	0.011
080	04011-50180	WASHER PLAIN	1				0.012	0.0264
090	04612-00180	CIR CLIP EXTERNAL	1				0.001	0.0022
100	T0070-24570	TUBE CREEP LEVER	1				0.005	0.011
110	TD060-24490	GRIP LEVER	1				0.045	0.099
120	TD060-49230	MARK CREEP	1				0.008	0.0176
130	99999-99999	MANUAL ASSEMBLY	1				0	0
140	99999-99999	MANUAL INSTRUCTION	1				0	0

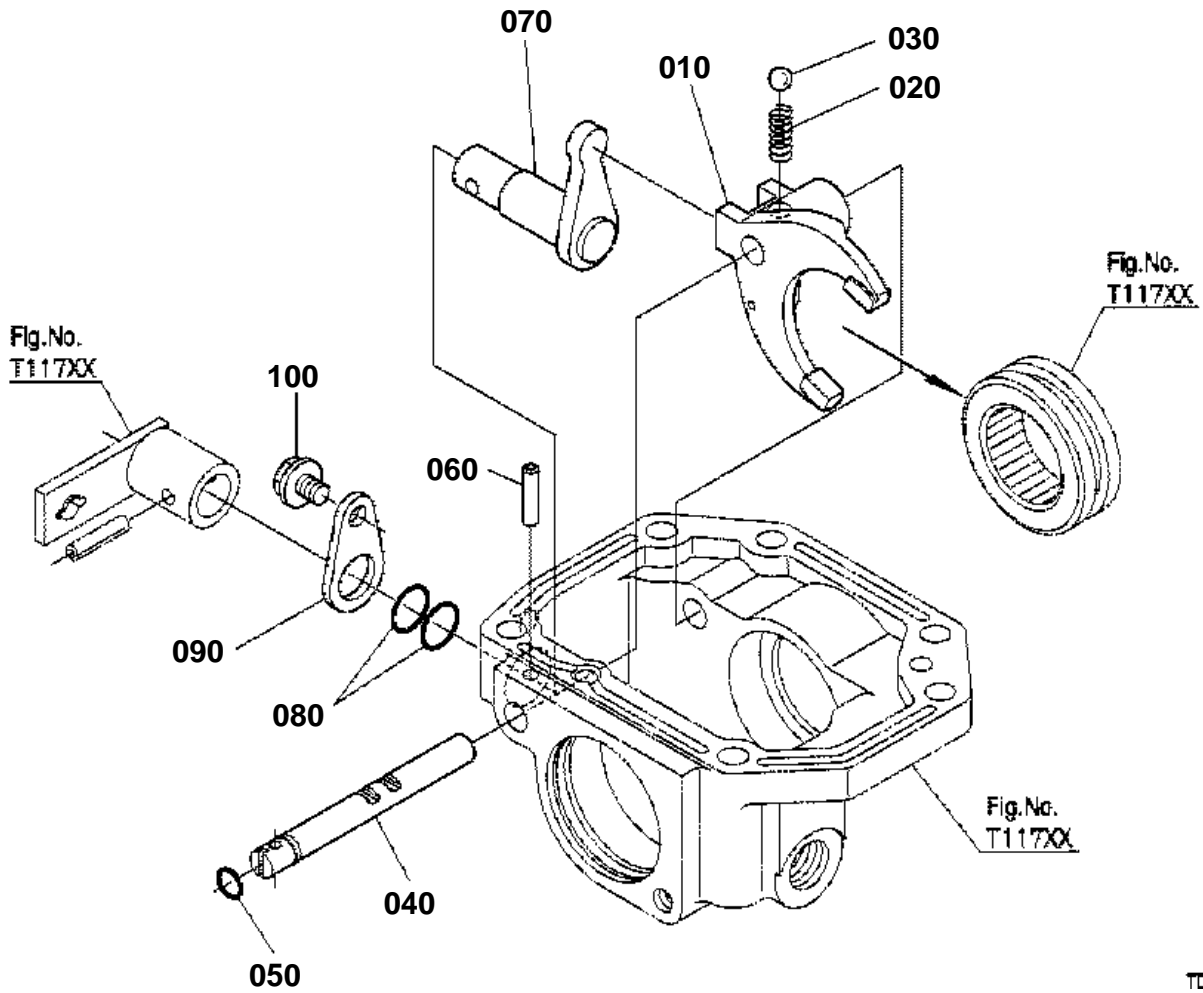


**MID PTO (CASE) [OPTION]**

↔ Interchangeable; ≠ not interchangeable; ← new for old; → old for new

REF.No	Part No.	Description	Q'ty	S.No.	I/C	REMARKS	Weight (kgf)	Weight (lb)
010	TD030-25250	CASE	1				3.6	7.92
020	04717-02150	WASHER WITH RUBBER	1				0.004	0.0088
030	15512-96010	PLUG	1				0.101	0.2222
040	TD030-25200	SHAFT M-PTO	1	≤30880			0	0
040	TD030-25202	SHAFT M-PTO	1	≥30881	←		0.82	1.804
050	08101-06305	BEARING BALL	1				0.23	0.506
060	34070-22260	BEARING BALL	1				0.235	0.517
070	TD030-25220	BEARING NEEDLE	1			SET	0.015	0.033
080	TD030-25210	GEAR M-PTO	1			17T	0.3	0.66
090	TD030-25230	SHIFTER	1				0.24	0.528
100	04611-00250	CIR CLIP INTERNAL	1				0.001	0.0022
105	04611-00620	CIR CLIP INTERNAL	1				0.011	0.0242
110	37500-16470	SEAL OIL	1				0.055	0.121
120	TD030-25270	CAP	1				0.18	0.396
130	TD030-25280	WASHER M-PTO	1				0.002	0.0044
140	01123-60814	BOLT	1				0.01	0.022
150	05012-00818	PIN STRAIGHT	2				0.013	0.0286
160	01133-51080	BOLT	1				0.045	0.099
170	01133-51045	BOLT	1				0.034	0.0748
180	01133-51030	BOLT	4				0.025	0.055
190	99999-99999	MANUAL INSTRUCTION	1				0	0





TD060-242-10

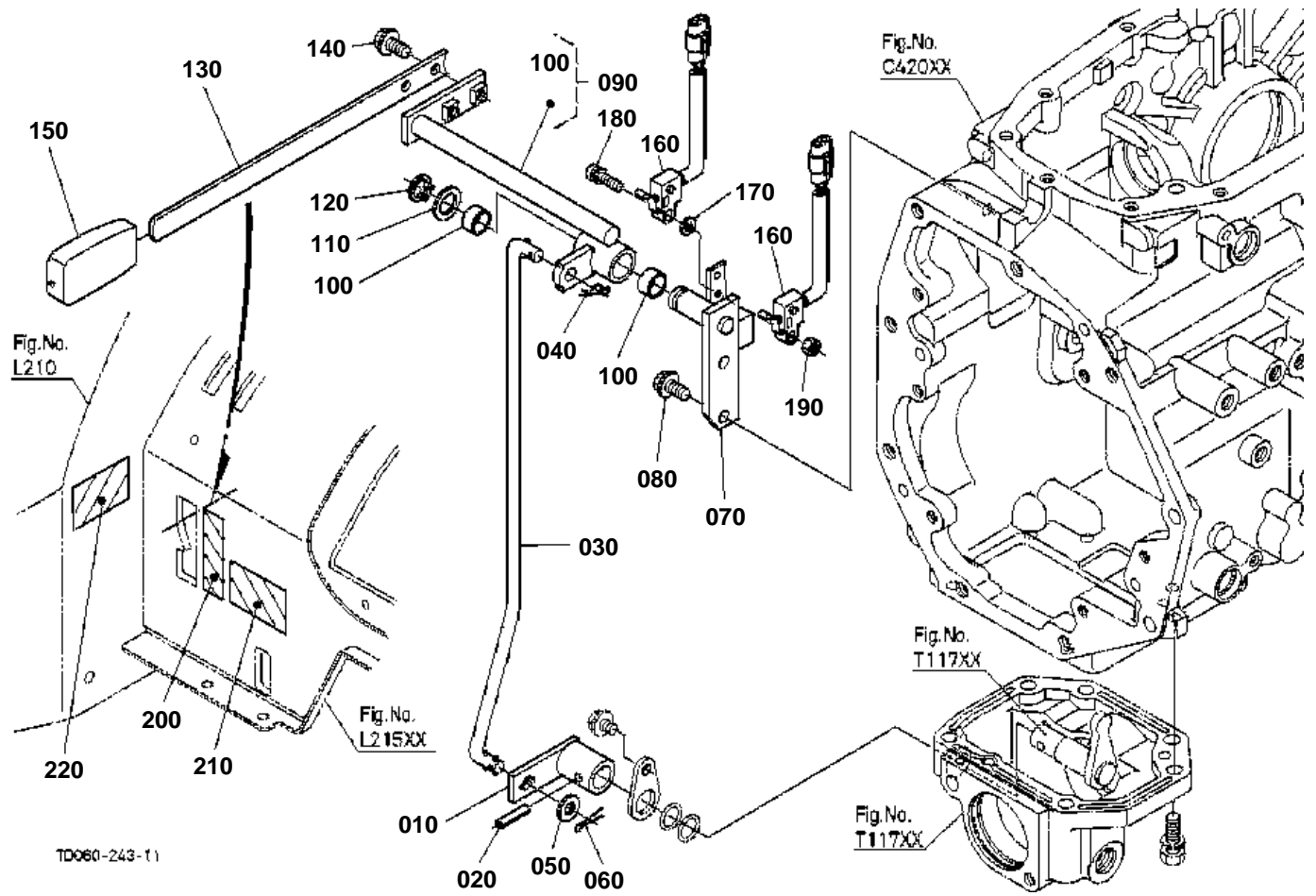


# MID PTO (SHIFT FORK) [OPTION]

↔ Interchangeable; ≠ not interchangeable; ← new for old; → old for new

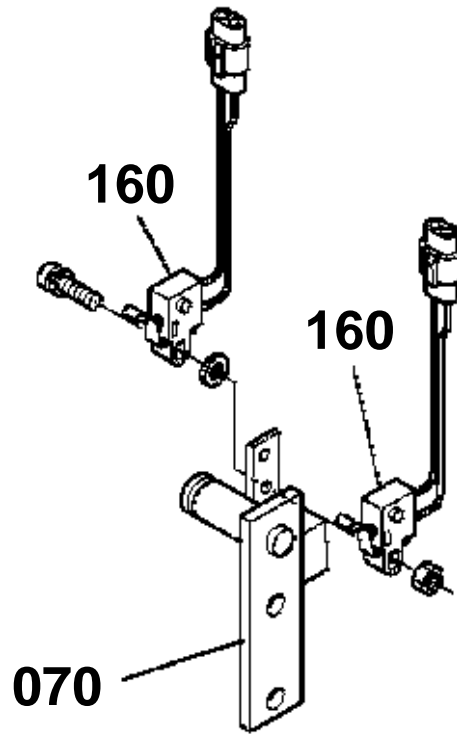
REF.No	Part No.	Description	Q'ty	S.No.	I/C	REMARKS	Weight (kgf)	Weight (lb)
010	TD030-25300	FORK SHIFT PTO	1				0.27	0.594
020	32530-23730	SPRING	1				0.001	0.0022
030	07715-01605	BALL	1				0.003	0.0066
040	TD030-25310	ROD FORK	1				0.09	0.198
050	04816-00090	O RING	1				0.001	0.0022
060	05411-00428	PIN SPRING	1				0.002	0.0044
070	TD030-25320	ARM M-PTO	1				0.19	0.418
080	04816-00200	O RING	2				0.003	0.0066
090	34070-24350	STOPPER	1				0.02	0.044
100	01754-50812	BOLT FLANGE	1				0.01	0.022

MID PTO (LEVER) [OPTION]



TD060-243-11

# OLD PARTS



TD060-845-11

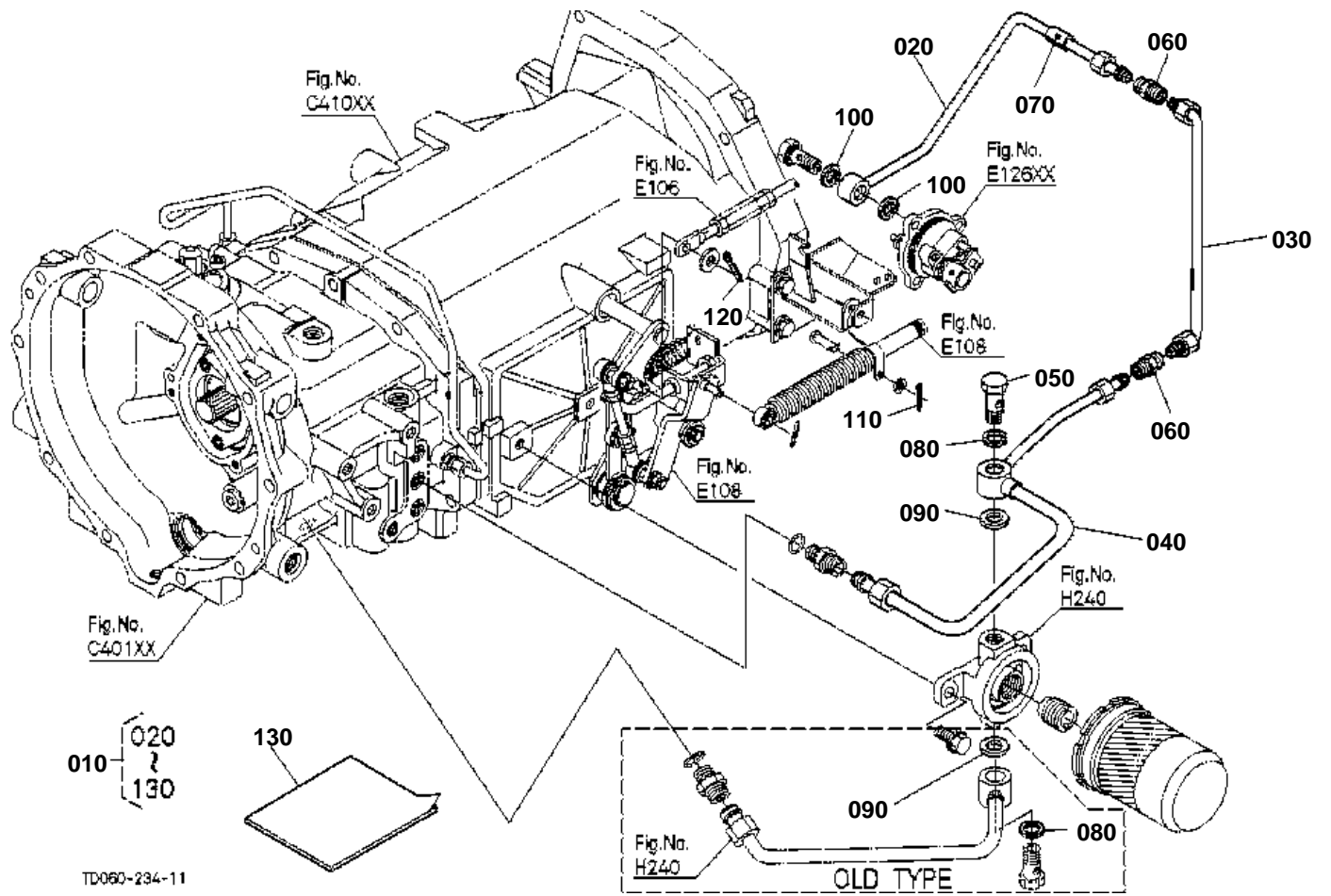


## MID PTO (LEVER) [OPTION]

↔ Interchangeable; ≠ not interchangeable; ← new for old; → old for new

REF.No	Part No.	Description	Q'ty	S.No.	I/C	REMARKS	Weight (kgf)	Weight (lb)
010	TD030-25340	LEVER M-PTO	1				0.15	0.33
020	05411-00628	PIN SPRING	1				0.004	0.0088
030	TD030-25330	ROD M-PTO	1				0.28	0.616
040	05515-61000	PIN SNAP	1				0.002	0.0044
050	04013-60100	WASHER PLAIN	1				0.003	0.0066
060	05511-50318	PIN SPLIT	1				0.001	0.0022
070	TD030-25390	BRACKET	1	<=38913			0	0
070	TD030-25392	BRACKET	1	>=38914	←		0.27	0.594
080	01754-50816	BOLT FLANGE	2				0.011	0.0242
090	TD030-25350	ASSY LEVER M-PTO	1				0.56	1.232
100	T1060-24460	BUSH	2				0.005	0.011
110	31351-16590	SHIM	1			1.2mm	0.005	0.011
120	04612-00180	CIR CLIP EXTERNAL	1				0.001	0.0022
130	TD030-25370	LEVER M-PTO	1				0.19	0.418
140	01754-50820	BOLT FLANGE	2				0.015	0.033
150	TA030-25380	GRIP	1				0.035	0.077
160	TD060-43900	SWITCH M-PTO	2	<=38032			0.09	0.198
160	TD060-43902	SWITCH M-PTO	2	>=38033	←		0.09	0.198
170	04013-60040	WASHER PLAIN	1				0.002	0.0044
180	03024-50425	SCREW WITH WASHER	1				0.003	0.0066
190	02054-50040	NUT	1				0.001	0.0022
200	TA040-49170	MARK M-PTO	1				0.002	0.0044
210	TA040-49342	LABEL M-PTO WARNING	1			ENGLISH	0.001	0.0022
210	TA041-49342	LABEL M-PTO WARNING	1			FRENCH	0.003	0.0066
220	TD060-49400	LABEL M-PTO CAUTION	1				0	0

HYDRAULIC PIPE KIT (HST) [OPTION]



TD060-234-11

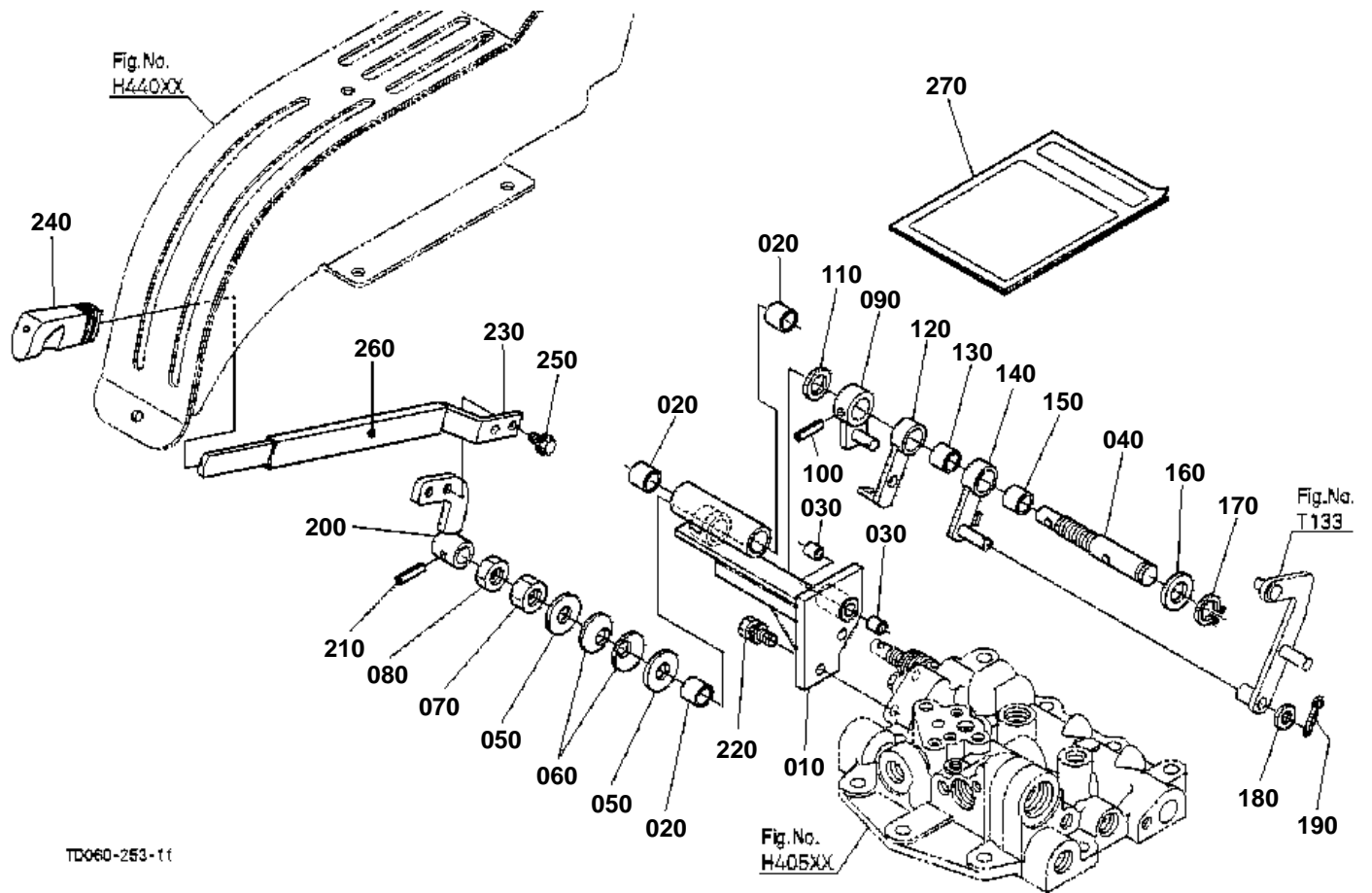


# HYDRAULIC PIPE KIT (HST) [OPTION]

↔ Interchangeable; ≠ not interchangeable; ← new for old; → old for new

REF.No	Part No.	Description	Q'ty	S.No.	I/C	REMARKS	Weight (kgf)	Weight (lb)
010	TD060-59970	KIT PIPE	1				0	0
020	TD060-59940	COMP.PIPE I-PTO	1				0.14	0.308
030	TD060-59950	COMP.PIPE I-PTO	1				0.11	0.242
040	TD060-59960	COMP.PIPE	1				0.39	0.858
050	TD060-56450	JOINT	1				0.085	0.187
060	06013-51003	JOINT PIPE	2				0.028	0.0616
070	TD060-66710	TUBE GST PIPE	1				0.008	0.0176
080	67111-37180	GASKET	2	<=30115			0.003	0.0066
080	67111-37180	GASKET	1	>=30116			0.003	0.0066
090	67401-36720	GASKET	2	<=30115			0.005	0.011
090	67401-36720	GASKET	1	>=30116			0.005	0.011
100	04714-00200	GASKET	2				0.002	0.0044
110	05511-50215	PIN SPLIT	1				0.001	0.0022
120	05511-50318	PIN SPLIT	1				0.001	0.0022
130	TD060-59930	MANUAL INSTRUCTION	1				0	0

POSITION CONTROL LEVER (WITH DRAFT) [OPTION]



TD060-253-11

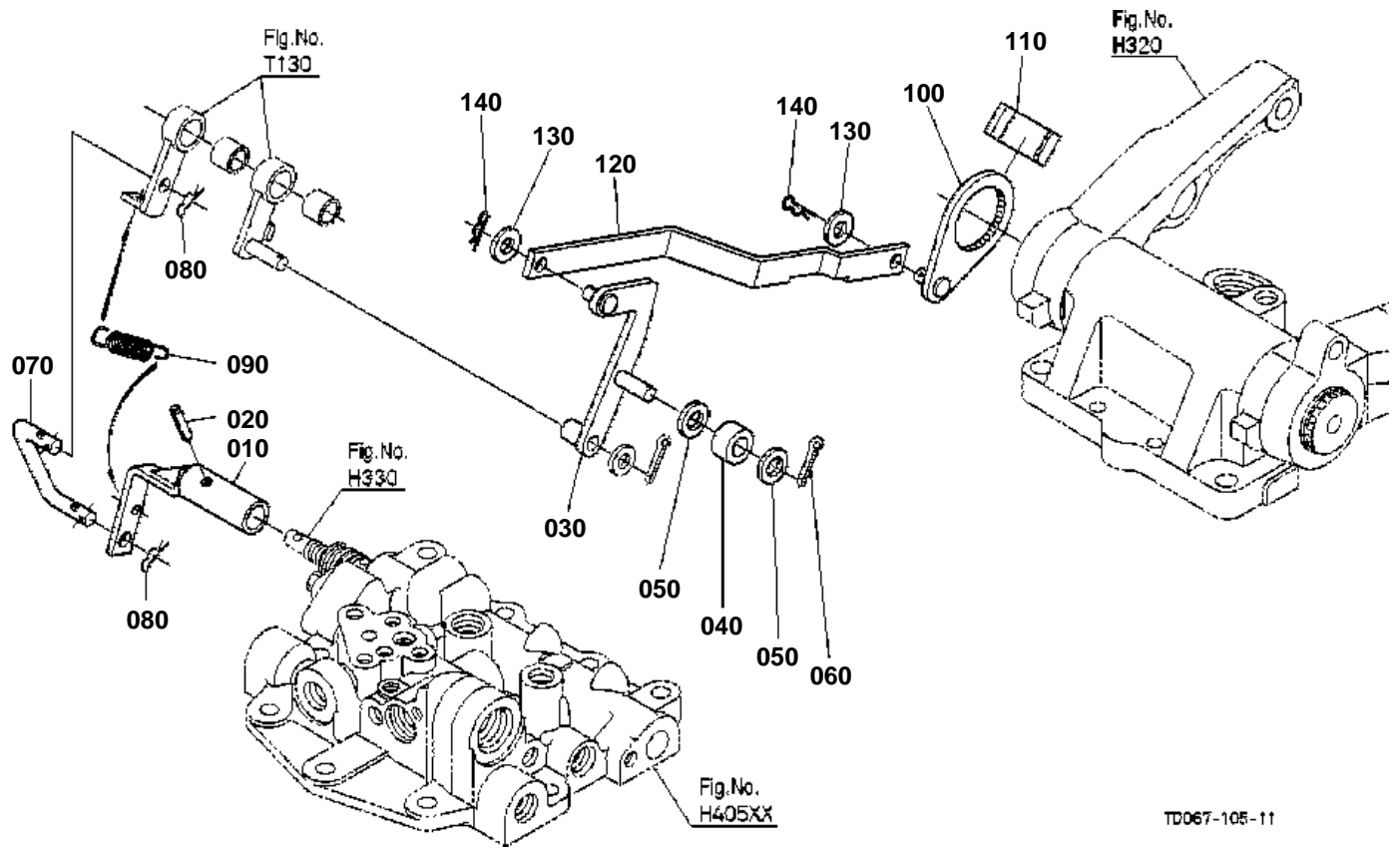


**POSITION CONTROL LEVER (WITH DRAFT) [OPTION]**

↔ interchangeable; ≠ not interchangeable; ← new for old; → old for new

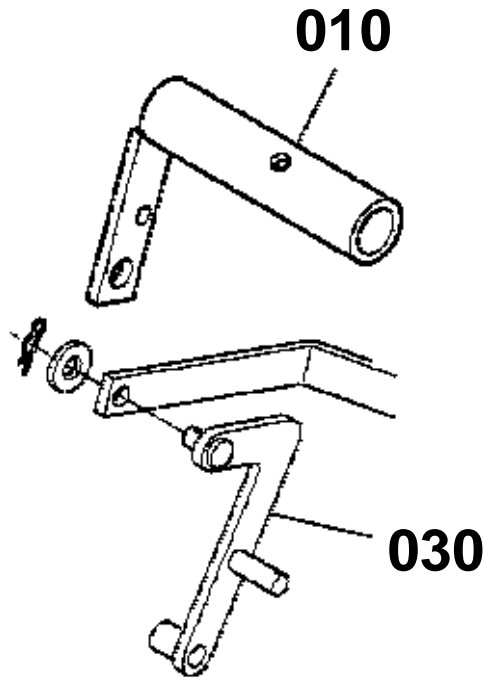
REF.No	Part No.	Description	Q'ty	S.No.	I/C	REMARKS	Weight (kgf)	Weight (lb)
010	TD060-38110	STAY	1				0.72	1.584
020	08511-01615	BUSH	3				0.01	0.022
030	08511-00810	BUSH	2				0.003	0.0066
040	TA040-38122	SHAFT DRAFT	1				0.14	0.308
050	04013-60140	WASHER PLAIN	2				0.01	0.022
060	34260-36880	SPRING PLATE	2				0.006	0.0132
070	02174-50140	NUT	1				0.014	0.0308
080	02172-50140	NUT	1				0.01	0.022
090	TA040-38142	LINK DRAFT	1				0.065	0.143
100	05411-00525	PIN SPRING	1				0.002	0.0044
110	04714-00300	GASKET	1				0.002	0.0044
120	TD060-38150	LINK DRAFT	1				0.05	0.11
130	08511-01612	BUSH	1				0.005	0.011
140	TD060-38160	LINK DRAFT	1				0.065	0.143
150	08511-01612	BUSH	1				0.005	0.011
160	04011-60160	WASHER PLAIN	1				0.01	0.022
170	04612-00160	CIR CLIP EXTERNAL	1				0.001	0.0022
180	04012-50080	WASHER PLAIN	1				0.001	0.0022
190	05511-50215	PIN SPLIT	1				0.001	0.0022
200	TD060-38210	LEVER POSITION	1				0.11	0.242
210	05411-00525	PIN SPRING	1				0.002	0.0044
220	01123-50820	BOLT	2				0.011	0.0242
230	TD060-38230	LEVER POSITION	1				0.2	0.44
240	TD060-36140	GRIP LEVER	1				0.045	0.099
250	01754-50612	BOLT FLANGE	2				0.005	0.011
260	TA040-36132	TUBE LEVER	1				0.01	0.022
270	99999-99999	MANUAL ASSEMBLY	1				0	0

POSITION CONTROL LINK (WITH DRAFT) [OPTION]



TD067-105-11

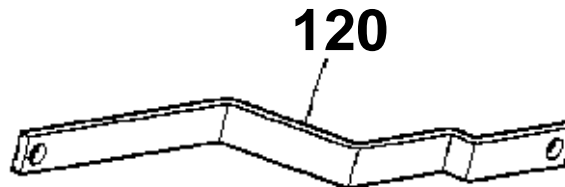
## OLD PARTS



S.No. ; A : <=10644, B : <=38032,  
C : <=31997, D : <=10240,  
E : <=32705



S.No. ; A : 10645 to 11138,  
B : 38033 to 44203,  
C : 31998 to 33856,  
D : 10241 to 10427,  
E : 32706 to 34772



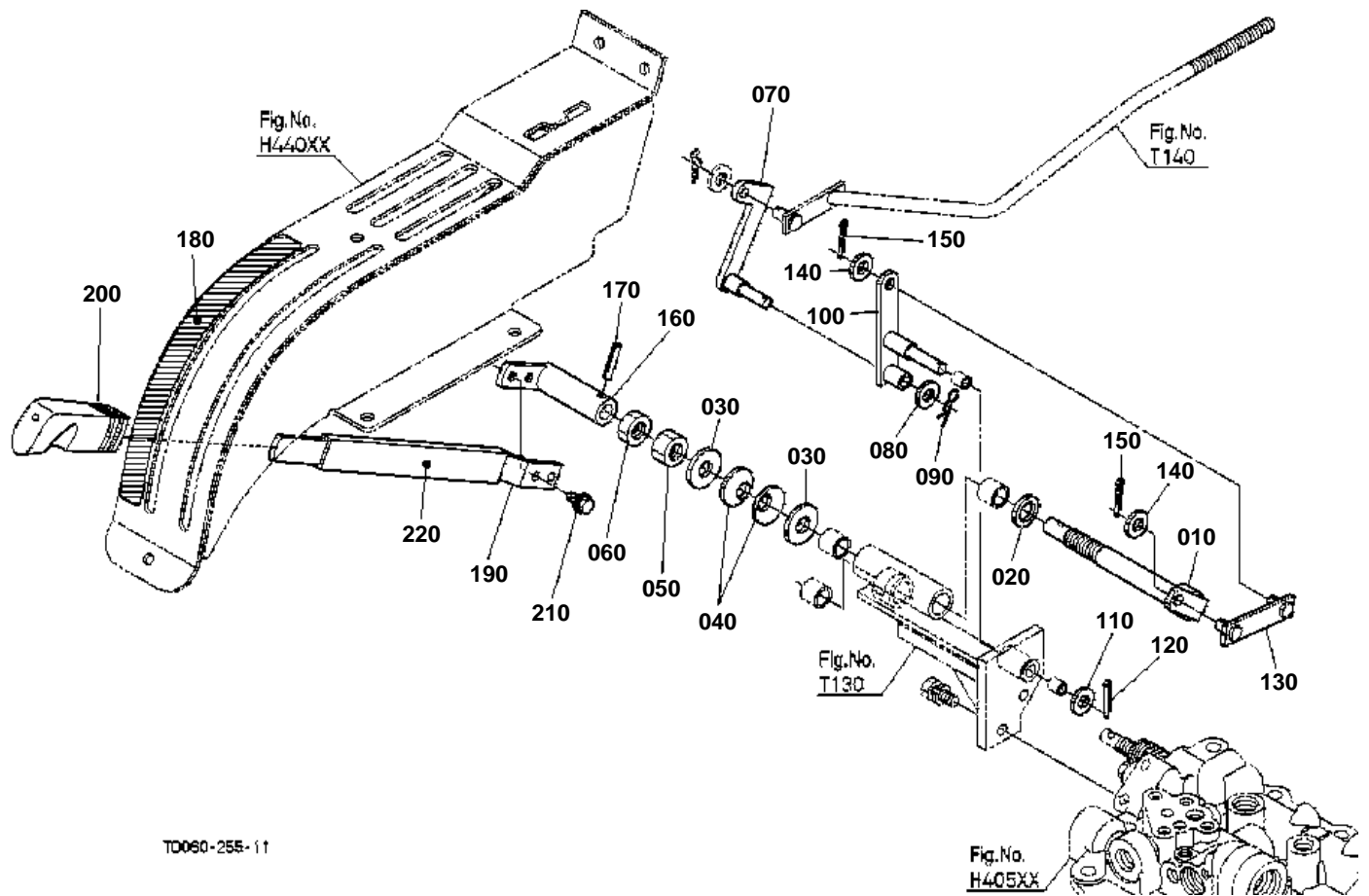
TD030-880-10

**POSITION CONTROL LINK (WITH DRAFT) [OPTION]**

↔ Interchangeable; ≠ not interchangeable; ← new for old; → old for new

REF.No	Part No.	Description	Q'ty	S.No.	I/C	REMARKS	Weight (kgf)	Weight (lb)
010	TD060-38310	LINK CONTROL	1	<=35196			0	0
010	TD060-38312	LINK CONTROL	1	>=35197	←		0.154	0.3388
020	05411-00525	PIN SPRING	1				0.002	0.0044
030	TD060-38170	LINK DRAFT	1	<=41264			0.105	0.231
030	TD060-38172	LINK DRAFT	1	>=41265	←		0.105	0.231
040	TA040-38190	COLLAR	1				0.02	0.044
050	04011-50100	WASHER PLAIN	2				0.002	0.0044
060	05511-50320	PIN SPLIT	1				0.002	0.0044
070	TD060-38320	ROD CONTROL	1				0.05	0.11
080	05525-50800	PIN SNAP	2				0.001	0.0022
090	36919-27830	SPRING	1	<=40495			0.01	0.022
090	TD060-38370	SPRING DRAFT	1	>=40496	←		0.008	0.0176
100	TD060-38260	HOLDER	1				0.068	0.1496
110	TD060-38270	STOPPER	1				0.02	0.044
120	TD060-38280	LINK DRAFT	1	<=38032			0.152	0.3344
120	TD060-38282	LINK DRAFT	1	>=38033	←		0	0
120	TD060-38283	LINK DRAFT	1	>=44204	←		0.152	0.3344
130	04012-50080	WASHER PLAIN	2				0.001	0.0022
140	05525-50800	PIN SNAP	2				0.001	0.0022

DRAFT CONTROL LEVER (WITH DRAFT) [OPTION]

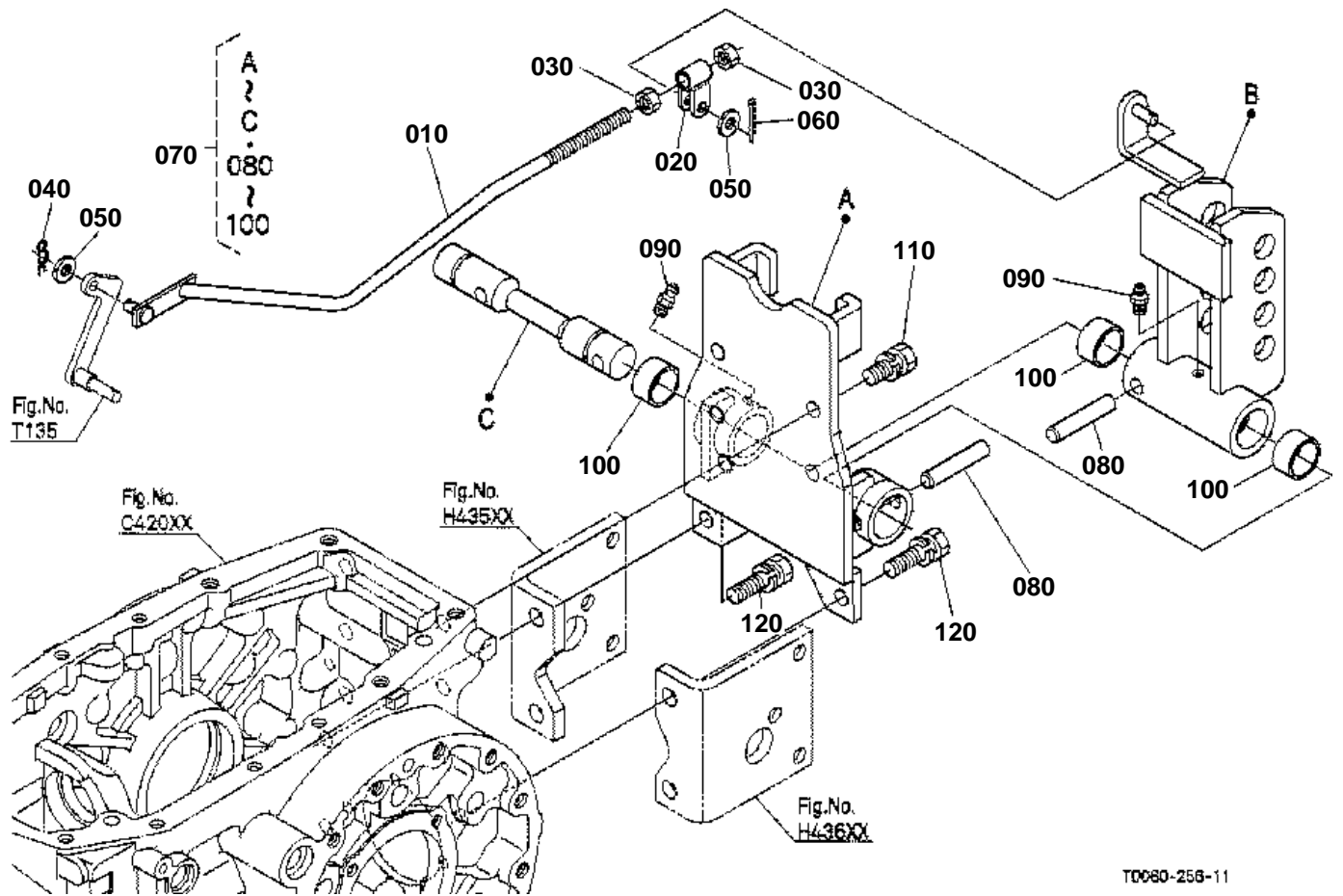


**DRAFT CONTROL LEVER (WITH DRAFT) [OPTION]**

↔ interchangeable; ≠ not interchangeable; ← new for old; → old for new

REF.No	Part No.	Description	Q'ty	S.No.	I/C	REMARKS	Weight (kgf)	Weight (lb)
010	TD060-38130	SHAFT DRAFT	1				0.24	0.528
020	04714-00300	GASKET	1				0.002	0.0044
030	04013-60140	WASHER PLAIN	2				0.01	0.022
040	34260-36880	SPRING PLATE	2				0.006	0.0132
050	02174-50140	NUT	1				0.014	0.0308
060	02172-50140	NUT	1				0.01	0.022
070	TD060-38180	LEVER CAM	1				0.1	0.22
080	04012-50080	WASHER PLAIN	1				0.001	0.0022
090	05525-50800	PIN SNAP	1				0.001	0.0022
100	TD060-38410	LINK DRAFT CAM	1				0.09	0.198
110	04012-50080	WASHER PLAIN	1				0.001	0.0022
120	05511-50215	PIN SPLIT	1				0.001	0.0022
130	TD060-38420	LINK DRAFT CAM	1				0.05	0.11
140	04012-50080	WASHER PLAIN	2				0.001	0.0022
150	05511-50215	PIN SPLIT	2				0.001	0.0022
160	TD060-38220	LEVER DRAFT	1				0.17	0.374
170	05411-00525	PIN SPRING	1				0.002	0.0044
180	TD060-49520	MARK DRAFT	1				0.01	0.022
190	TD060-38240	LEVER DRAFT	1	≤41855			0	0
190	TD060-38242	LEVER DRAFT	1	≥41856	←		0.2	0.44
200	TD060-36140	GRIP LEVER	1				0.045	0.099
210	01754-50612	BOLT FLANGE	2				0.005	0.011
220	TA040-36132	TUBE LEVER	1				0.01	0.022

TOP LINK HOLDER (WITH DRAFT) [OPTION]



T0080-25G-11



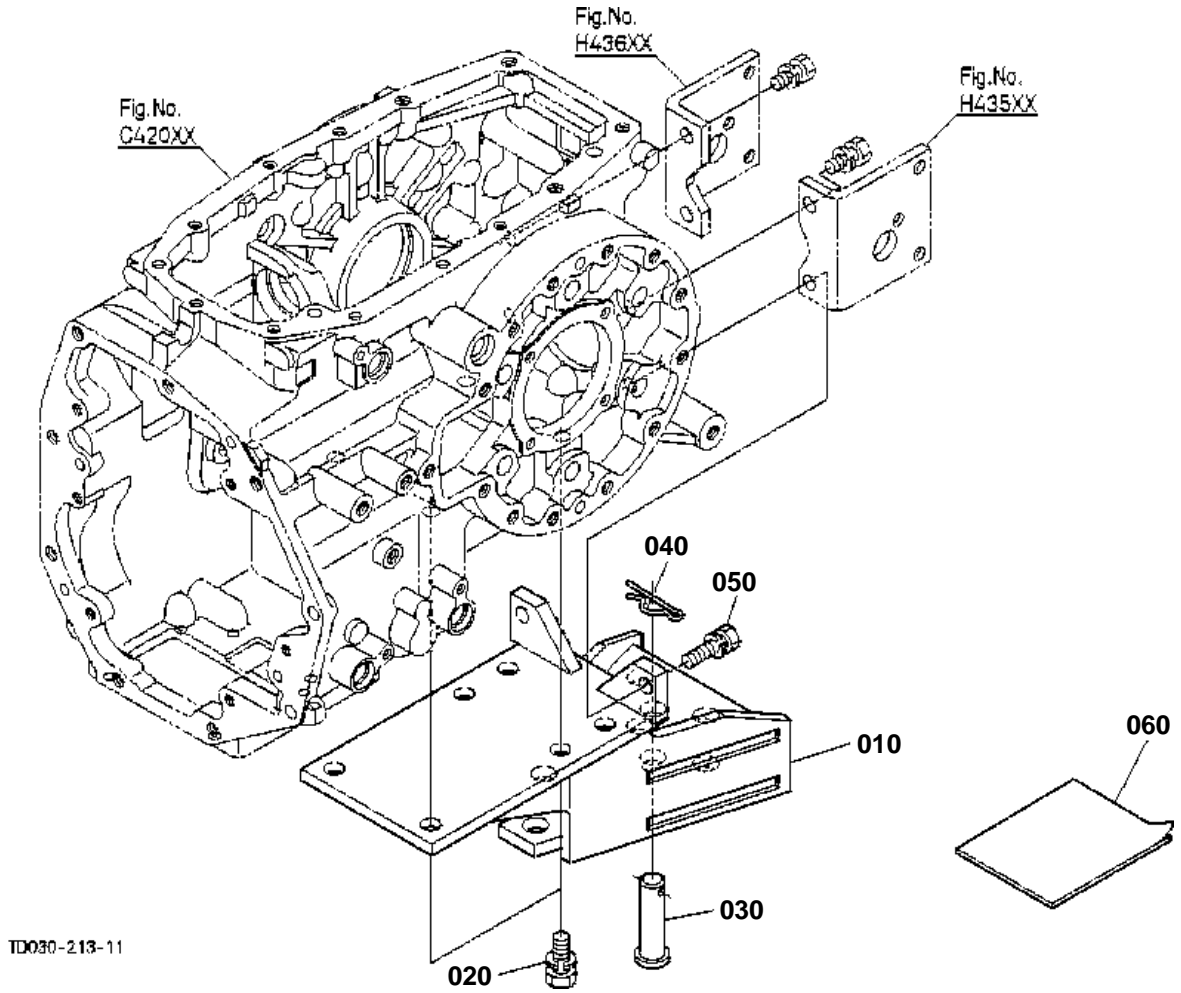
# TOP LINK HOLDER (WITH DRAFT) [OPTION]

↔ Interchangeable; ≠ not interchangeable; ← new for old; → old for new

REF.No	Part No.	Description	Q'ty	S.No.	I/C	REMARKS	Weight (kgf)	Weight (lb)
010	TD060-38360	ROD DRAFT	1	<=42572			0	0
010	TD060-38362	ROD DRAFT	1	>=42573	←		0.242	0.5324
020	TA040-38350	HOLDER	1				0.033	0.0726
030	02116-50100	NUT	2				0.004	0.0088
040	05525-50800	PIN SNAP	1				0.001	0.0022
050	04012-50080	WASHER PLAIN	2				0.001	0.0022
060	05511-50218	PIN SPLIT	1				0.001	0.0022
070	TD060-41400	COMP.HOLDER	1				7	15.4
080	37300-41440	PIN STRAIGHT	2				0.055	0.121
090	06613-10010	NIPPLE GREASE	2				0.006	0.0132
100	37300-41450	BUSH	3				0.03	0.066
110	01133-51230	BOLT	4				0.04	0.088
120	01133-51240	BOLT	2				0.05	0.11



SWINGING DRAWBAR [OPTION]



TD030-213-11

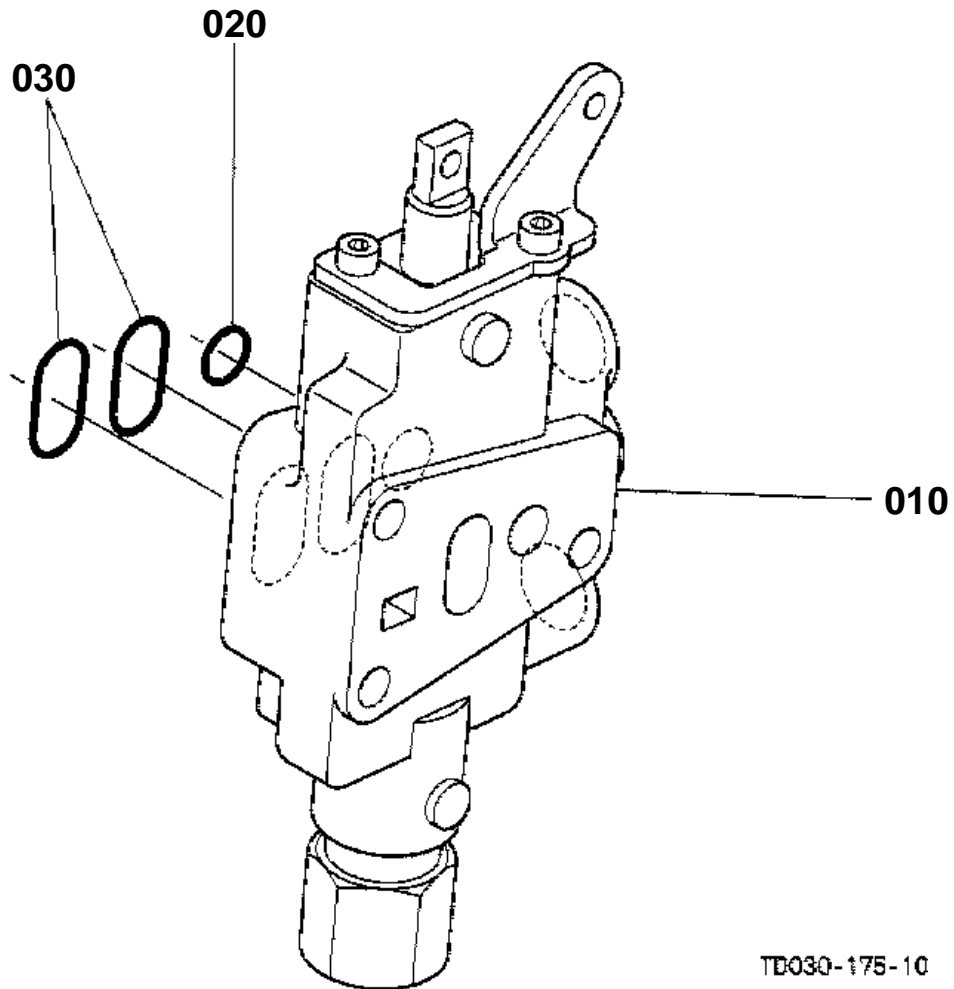


## SWINGING DRAWBAR [OPTION]

↔ Interchangeable; ≠ not interchangeable; ← new for old; → old for new

REF.No	Part No.	Description	Q'ty	S.No.	I/C	REMARKS	Weight (kgf)	Weight (lb)
010	TD060-29830	FRAME SWING DRAWBAR	1				9.5	20.9
020	01138-51430	BOLT	6				0.07	0.154
030	05112-52070	PIN JOINT	3				0.186	0.4092
040	05515-51600	PIN SNAP	3				0.007	0.0154
050	01133-51240	BOLT	2				0.05	0.11
060	99999-99999	MANUAL ASSEMBLY	1				0	0

AUXILIARY CONTROL VALVE [OPTION]



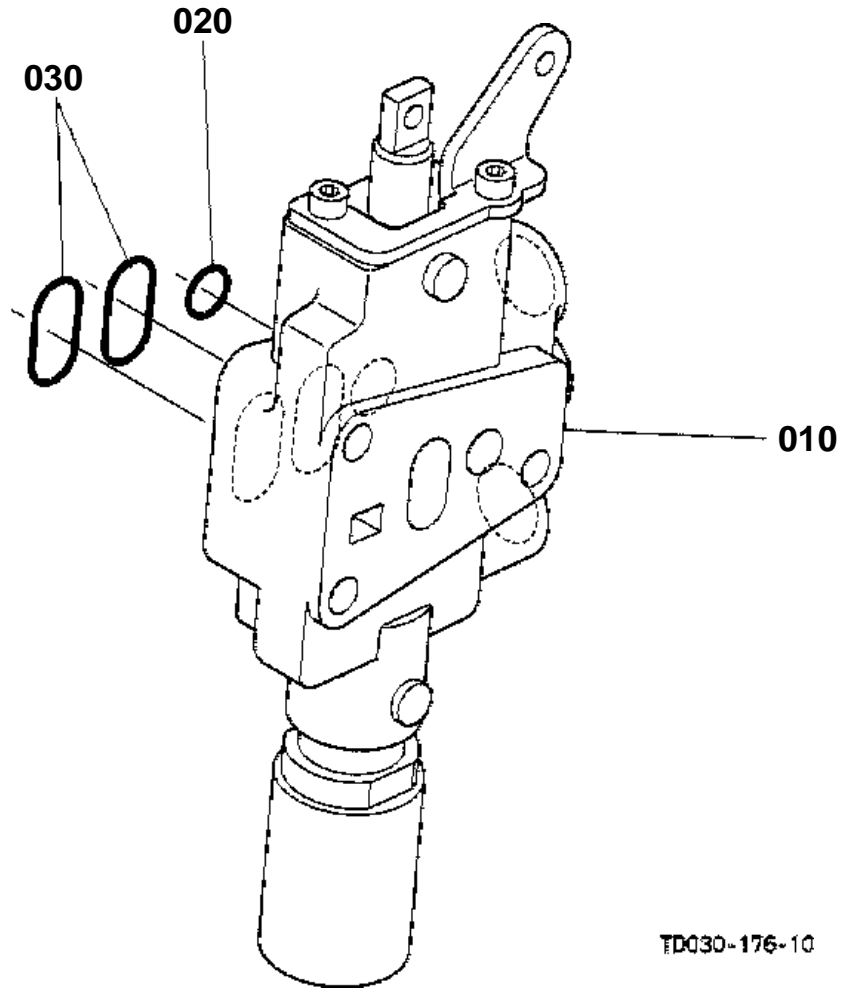
TD030-175-10



# AUXILIARY CONTROL VALVE [OPTION]

↔ Interchangeable; ≠ not interchangeable; ← new for old; → old for new

REF.No	Part No.	Description	Q'ty	S.No.	I/C	REMARKS	Weight (kgf)	Weight (lb)
010	TD060-96602	ASSY VALVE AUX.CON.	1	<=38913			0	0
010	YW089-00100	ASSY VALVE	1	>=38914	←		1.68	3.696
020	04817-00100	O RING	1				0.001	0.0022
030	04817-05200	O RING	2				0.001	0.0022



TD030-176-10

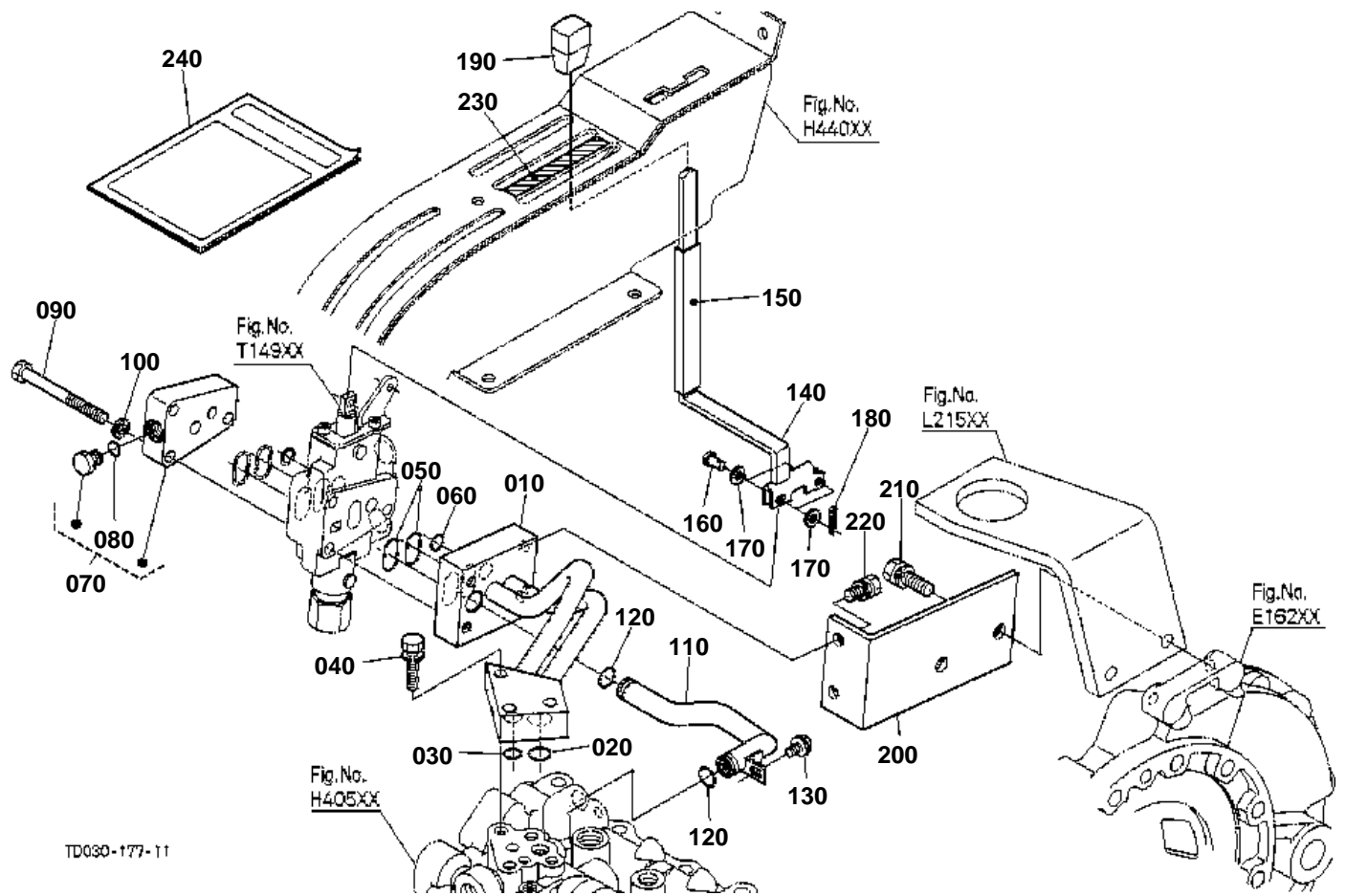


# AUXILIARY CONTROL VALVE (FLOATING) [OPTION]

↔ Interchangeable; ≠ not interchangeable; ← new for old; → old for new

REF.No	Part No.	Description	Q'ty	S.No.	I/C	REMARKS	Weight (kgf)	Weight (lb)
010	TD060-96502	ASSY VALVE AUX.CON.	1	<=38913			1.9	4.18
010	YW077-00100	ASSY VALVE	1	>=38914	←		0	0
020	04817-00100	O RING	1				0.001	0.0022
030	04817-05200	O RING	2				0.001	0.0022

AUXILIARY CONTROL VALVE LEVER (1ST) [ROPS TYPE] [OPTION]





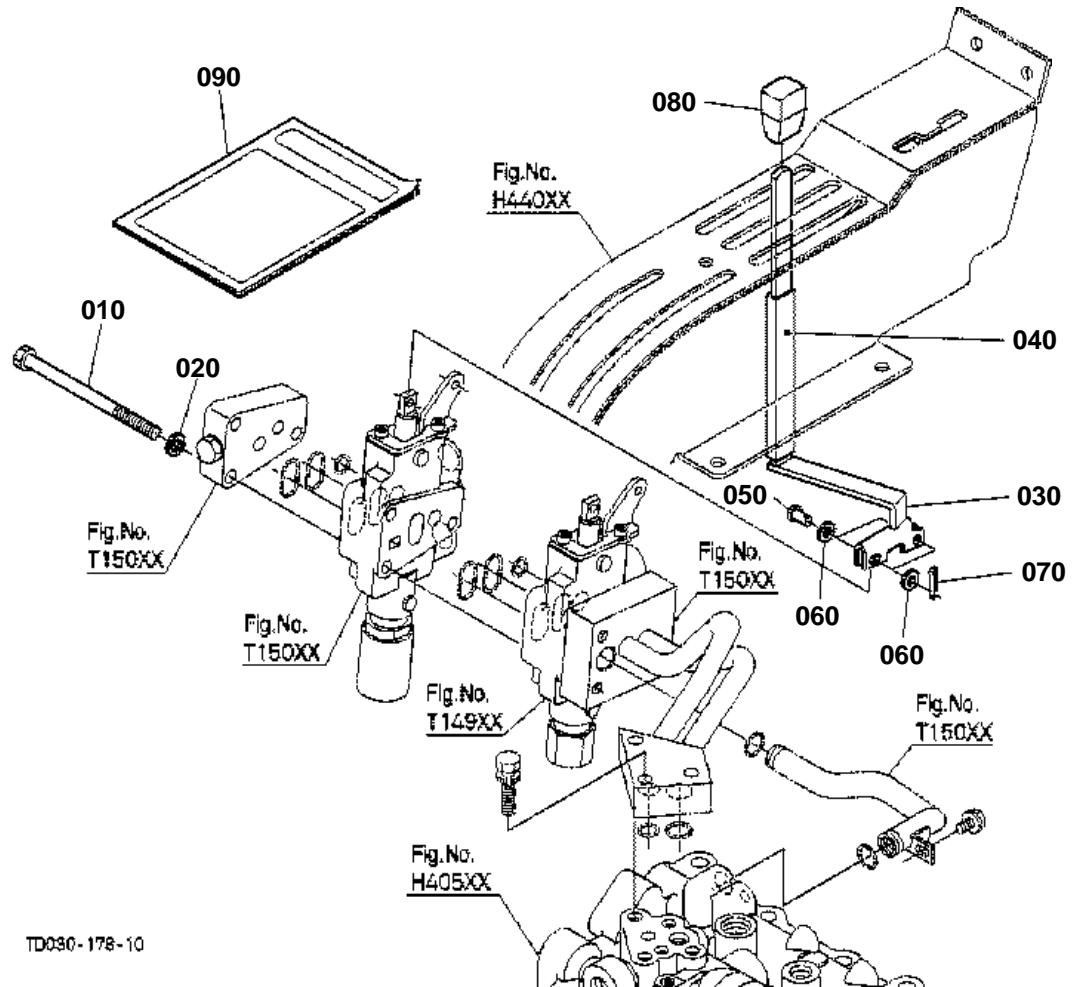
AUXILIARY CONTROL VALVE LEVER (1ST) [ROPS TYPE] [OPTION]

↔ Interchangeable; ≠ not interchangeable; ← new for old; → old for new

REF.No	Part No.	Description	Q'ty	S.No.	I/C	REMARKS	Weight (kgf)	Weight (lb)
010	TD060-96143	ASSY PIPE CONT.VALVE	1				1.44	3.168
020	04817-00140	O RING	1				0.001	0.0022
030	04817-00100	O RING	1				0.001	0.0022
040	01123-50835	BOLT	3				0.02	0.044
050	04817-05200	O RING	2				0.001	0.0022
060	04817-00100	O RING	1				0.001	0.0022
070	TD060-96122	COVER AUX.CON.VALVE	1				0.42	0.924
080	04817-00080	O RING	1				0.001	0.0022
090	01153-50875	BOLT	3				0.028	0.0616
100	04512-60080	WASHER SPRING	3				0.002	0.0044
110	TD060-96150	PIPE RETURN	1				0.085	0.187
120	04817-00110	O RING	2				0.001	0.0022
130	01754-50610	BOLT FLANGE	1				0.006	0.0132
140	TD060-96220	LEVER AUX.CON.VALVE	1				0.18	0.396
150	TD060-96250	TUBE LEVER	1				0.005	0.011
160	68021-32790	PIN	2				0.004	0.0088
170	04012-50050	WASHER PLAIN	4				0.001	0.0022
180	05511-51210	PIN SPLIT	2				0.001	0.0022
190	TD060-96260	GRIP AUX.CONTR.LEVER	1				0.013	0.0286
200	TD060-96160	STAY AUX.CONT.VALVE	1				0.63	1.386
210	01133-51030	BOLT	2				0.025	0.055
220	01123-50820	BOLT	2				0.011	0.0242
230	TA040-49610	MARK AUX.CONT.VALVE	1	≤37369			0.001	0.0022
230	TA040-49612	MARK AUX.CONT.VALVE	1	≥37370	←		0.001	0.0022
240	99999-99999	MANUAL ASSEMBLY	1				0	0



AUXILIARY CONTROL VALVE LEVER (2ND) [EXCEPT CAB [CA] TYPE] [OPTION]



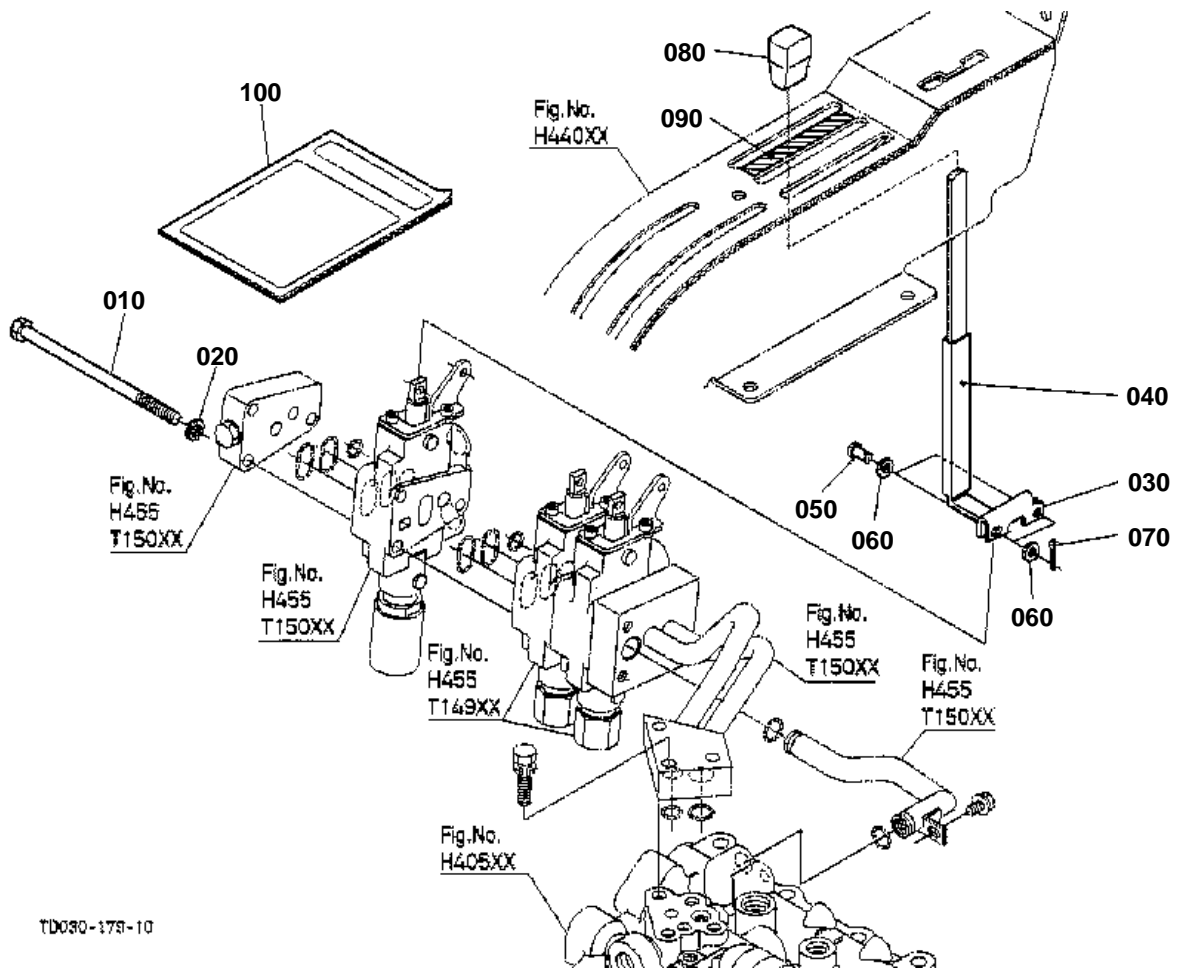
TD030-178-10

**AUXILIARY CONTROL VALVE LEVER (2ND) [EXCEPT CAB [CA] TYPE] [OPTION]**

↔ interchangeable; ≠ not interchangeable; ← new for old; → old for new

REF.No	Part No.	Description	Q'ty	S.No.	I/C	REMARKS	Weight (kgf)	Weight (lb)
010	01153-50802	BOLT	3				0.04	0.088
020	04512-60080	WASHER SPRING	3				0.002	0.0044
030	TD060-96230	LEVER AUX.CON.VALVE	1				0.185	0.407
040	TD060-96250	TUBE LEVER	1				0.005	0.011
050	68021-32790	PIN	2				0.004	0.0088
060	04012-50050	WASHER PLAIN	4				0.001	0.0022
070	05511-51210	PIN SPLIT	2				0.001	0.0022
080	TD060-96260	GRIP AUX.CONTR.LEVER	1				0.013	0.0286
090	99999-99999	MANUAL ASSEMBLY	1				0	0

AUXILIARY CONTROL VALVE LEVER (3RD) [OPTION]



TD030-175-10

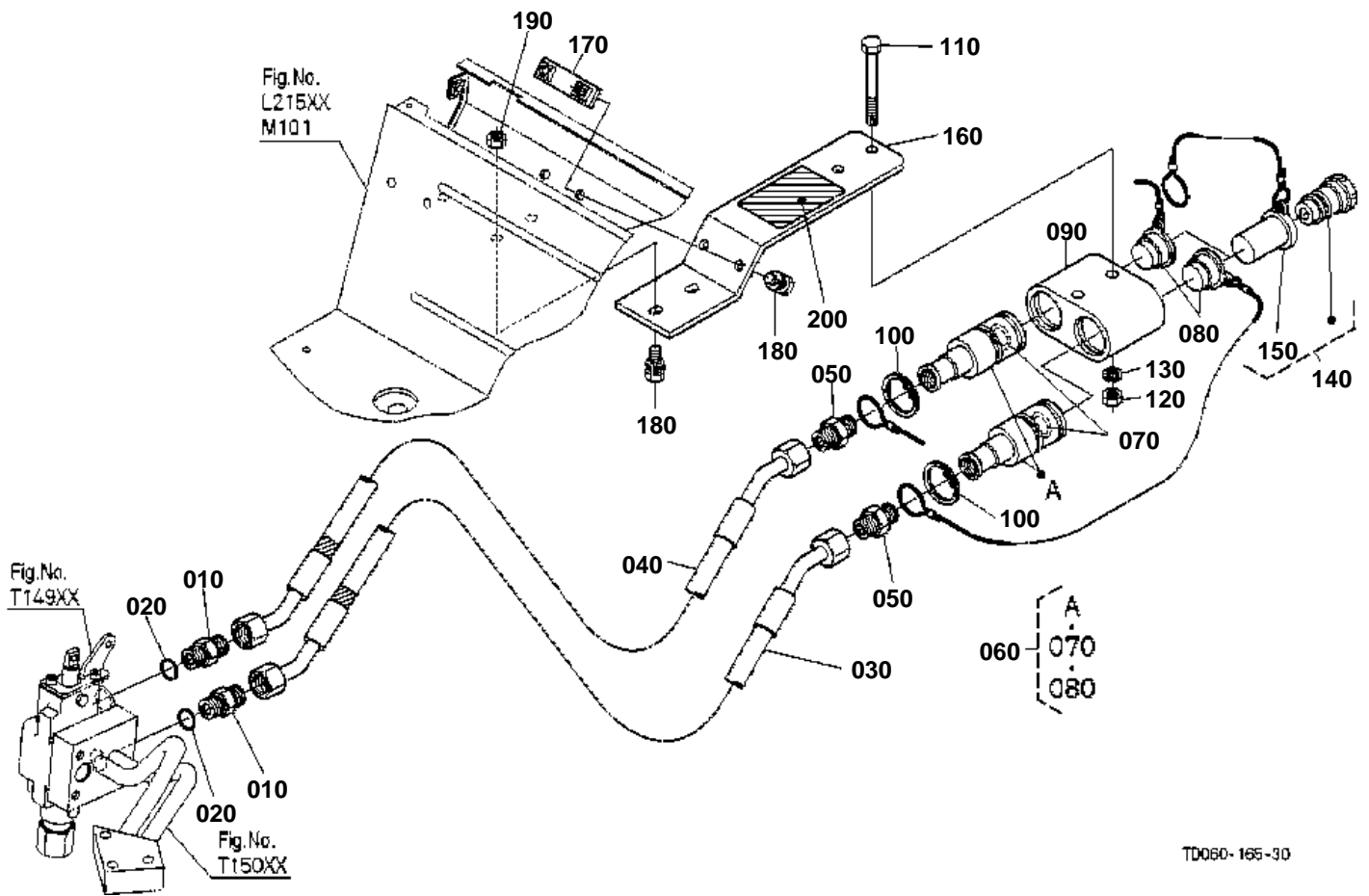


# AUXILIARY CONTROL VALVE LEVER (3RD) [OPTION]

↔ interchangeable; ≠ not interchangeable; ← new for old; → old for new

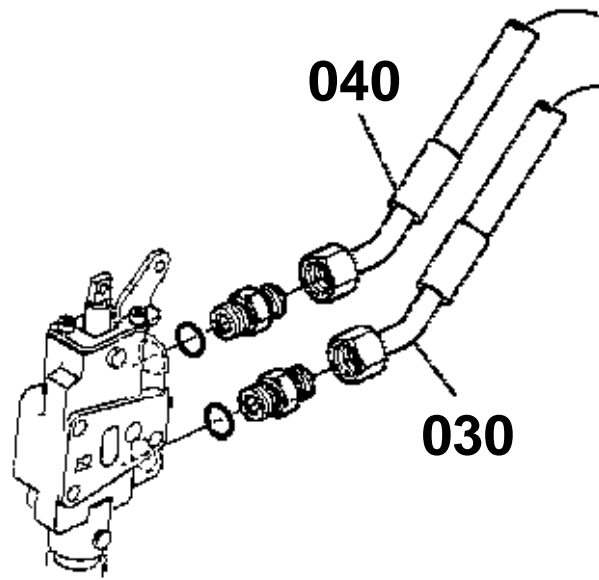
REF.No	Part No.	Description	Q'ty	S.No.	I/C	REMARKS	Weight (kgf)	Weight (lb)
010	55411-15140	BOLT	3				0.05	0.11
020	04512-60080	WASHER SPRING	3				0.002	0.0044
030	TD060-96240	LEVER AUX.CON.VALVE	1				0.185	0.407
040	TD060-96250	TUBE LEVER	1				0.005	0.011
050	68021-32790	PIN	2				0.004	0.0088
060	04012-50050	WASHER PLAIN	4				0.001	0.0022
070	05511-51210	PIN SPLIT	2				0.001	0.0022
080	TD060-96260	GRIP AUX.CONTR.LEVER	1				0.013	0.0286
090	TA040-49630	MARK AUX.CONT.VALVE	1				0.001	0.0022
100	99999-99999	MANUAL ASSEMBLY	1				0	0

AUXILIARY CONTROL VALVE COUPLER (1ST) [EXCEPT CAB [CA] TYPE] [OPTION]



TD060-165-30

## OLD PARTS



TD060-846-10

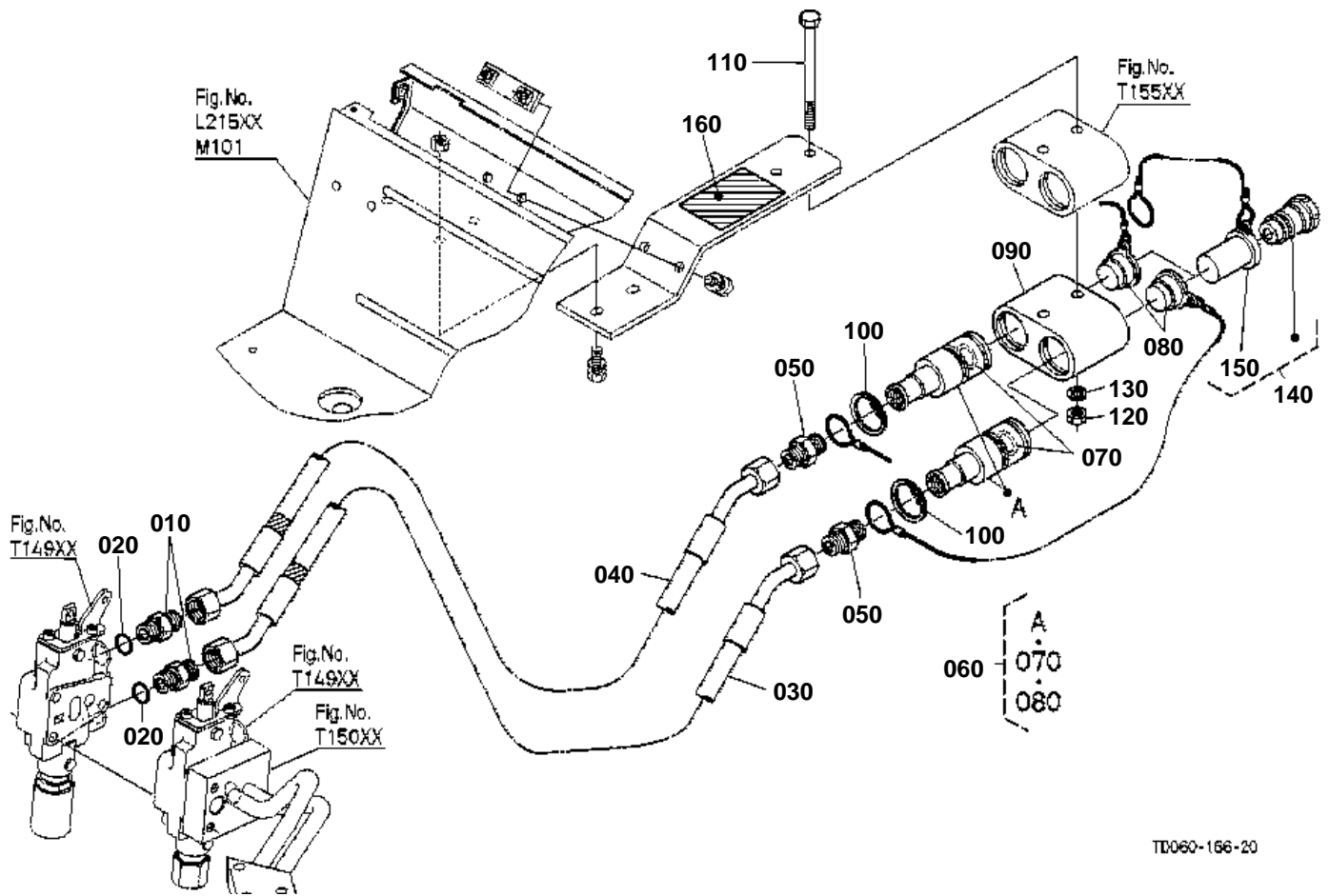


AUXILIARY CONTROL VALVE COUPLER (1ST) [EXCEPT CAB [CA] TYPE] [OPTION]

↔ Interchangeable; ≠ not interchangeable; ← new for old; → old for new

REF.No	Part No.	Description	Q'ty	S.No.	I/C	REMARKS	Weight (kgf)	Weight (lb)
010	70726-61130	ADAPTER	2				0.055	0.121
020	04817-00140	O RING	2				0.001	0.0022
030	TD060-96410	HOSE AUX.CONT.VALVE	1	≤36741			0.36	0.792
030	TD060-96412	HOSE AUX.CONT.VALVE	1	≥36742	←		0.36	0.792
040	TD060-96420	HOSE AUX.CONT.VALVE	1	≤36741			0.33	0.726
040	TD060-96422	HOSE AUX.CONT.VALVE	1	≥36742	←		0.33	0.726
050	99063-93410	ADAPTER	2				0.07	0.154
060	35861-82032	ASSY COUPLER FEMALE	2				0.32	0.704
070	35861-94510	O RING	2				0.002	0.0044
080	35861-94520	PLUG COUPLER	2				0.005	0.011
090	35893-82610	SUPPORT COUPLER	1				0.73	1.606
100	04611-00380	CIR CLIP INTERNAL	2				0.004	0.0088
110	01153-50865	BOLT	2				0.025	0.055
120	02156-50080	NUT	2				0.004	0.0088
130	04512-60080	WASHER SPRING	2				0.002	0.0044
140	35861-82190	ASSY COUPLER MALE	2				0.086	0.1892
150	35861-94530	CAP	2				0.007	0.0154
160	TD060-96482	STAY COUPLER	1				0.86	1.892
170	TA040-96490	STAY COUPLER	1				0.073	0.1606
180	01123-50820	BOLT	4				0.011	0.0242
190	02114-50080	NUT	2				0.005	0.011
200	TA040-49670	MARK COUPLER	1				0.001	0.0022

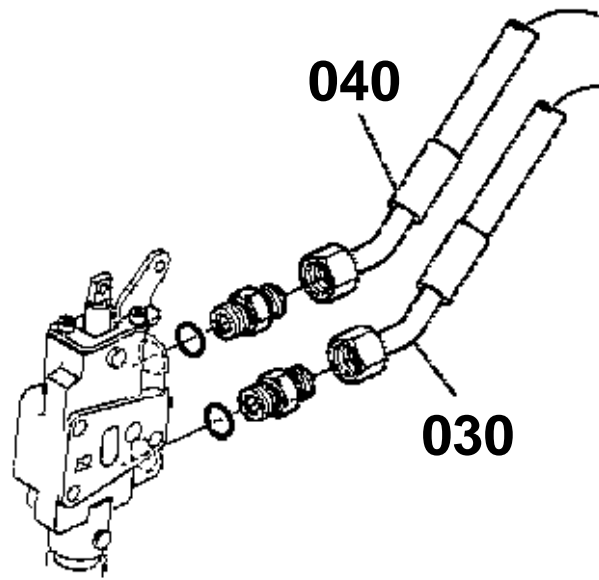
AUXILIARY CONTROL VALVE COUPLER (2ND) [EXCEPT CAB [CA] TYPE] [OPTION]



TD060-166-20



## OLD PARTS



TD060-846-10

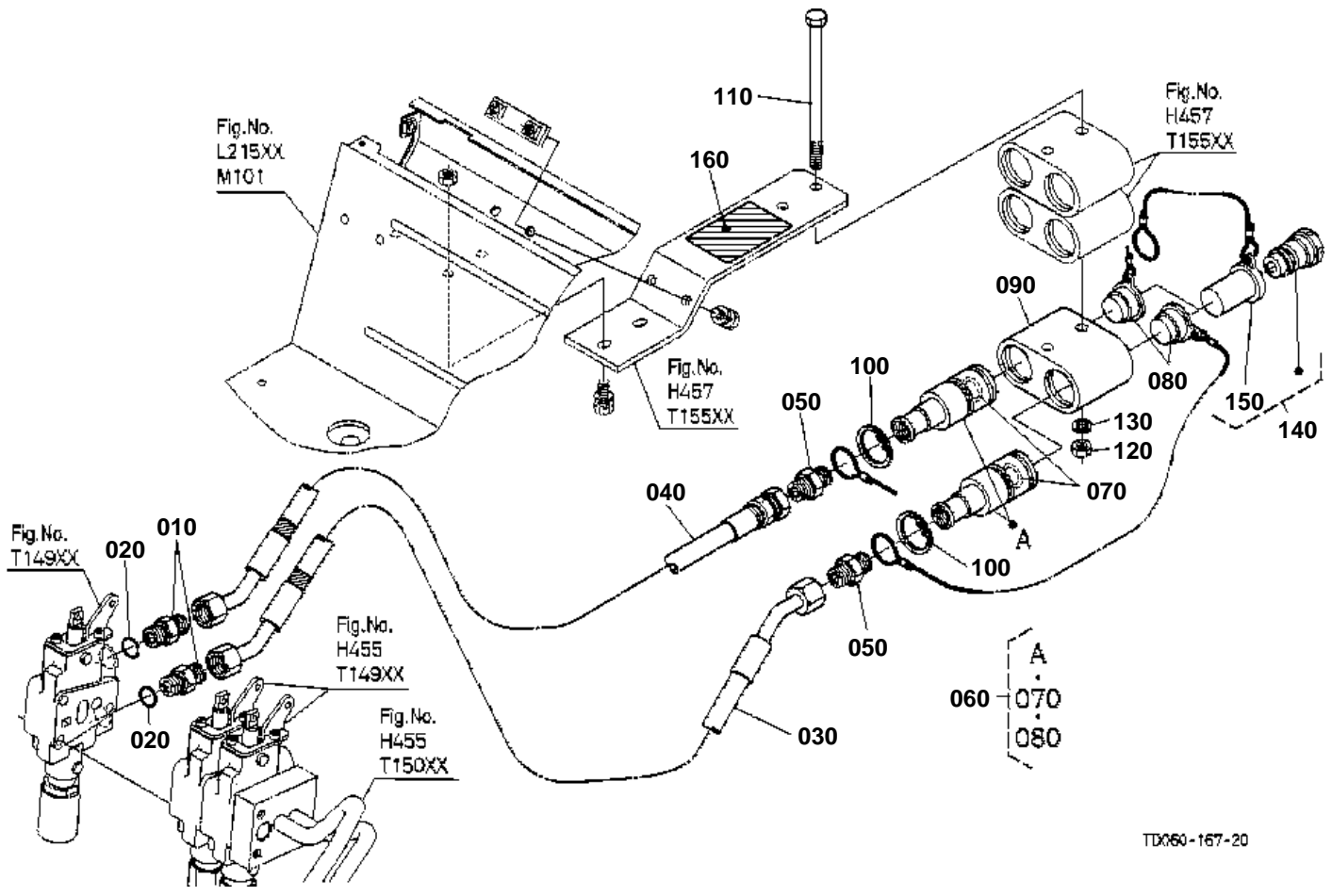


AUXILIARY CONTROL VALVE COUPLER (2ND) [EXCEPT CAB [CA] TYPE] [OPTION]

↔ Interchangeable; ≠ not interchangeable; ← new for old; → old for new

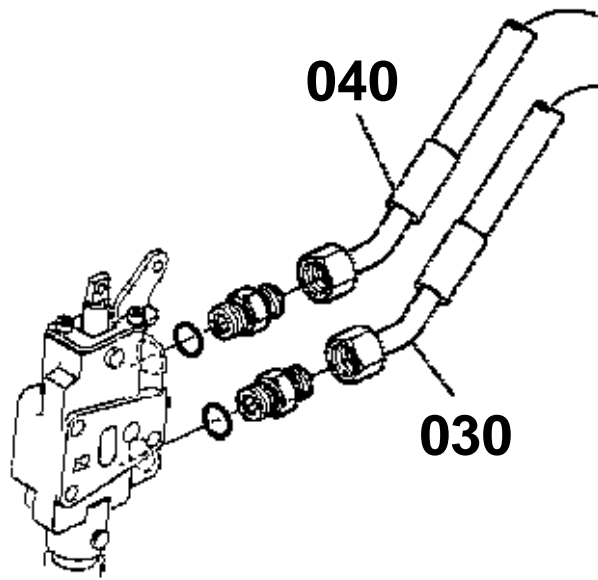
REF.No	Part No.	Description	Q'ty	S.No.	I/C	REMARKS	Weight (kgf)	Weight (lb)
010	70726-61130	ADAPTER	2				0.055	0.121
020	04817-00140	O RING	2				0.001	0.0022
030	TD060-96430	HOSE AUX.CONT.VALVE	1	≤36741			0.33	0.726
030	TD060-96432	HOSE AUX.CONT.VALVE	1	≥36742	←		0.33	0.726
040	TD060-96440	HOSE AUX.CONT.VALVE	1	≤36741			0.32	0.704
040	TD060-96442	HOSE AUX.CONT.VALVE	1	≥36742	←		0.32	0.704
050	99063-93410	ADAPTER	2				0.07	0.154
060	35861-82032	ASSY COUPLER FEMALE	2				0.32	0.704
070	35861-94510	O RING	2				0.002	0.0044
080	35861-94520	PLUG COUPLER	2				0.005	0.011
090	35893-82610	SUPPORT COUPLER	1				0.73	1.606
100	04611-00380	CIR CLIP INTERNAL	2				0.004	0.0088
110	01153-50802	BOLT	2				0.04	0.088
120	02156-50080	NUT	2				0.004	0.0088
130	04512-60080	WASHER SPRING	2				0.002	0.0044
140	35861-82190	ASSY COUPLER MALE	2				0.086	0.1892
150	35861-94530	CAP	2				0.007	0.0154
160	TA040-49620	MARK COUPLER	1				0.001	0.0022

AUXILIARY CONTROL VALVE COUPLER (3RD) [OPTION]



TX060-167-20

# OLD PARTS



TD060-846-10



AUXILIARY CONTROL VALVE COUPLER (3RD) [OPTION]

↔ Interchangeable; ≠ not interchangeable; ← new for old; → old for new

REF.No	Part No.	Description	Q'ty	S.No.	I/C	REMARKS	Weight (kgf)	Weight (lb)
010	70726-61130	ADAPTER	2				0.055	0.121
020	04817-00140	O RING	2				0.001	0.0022
030	TD060-96450	HOSE AUX.CONT.VALVE	1	≤36741			0	0
030	TD060-96452	HOSE AUX.CONT.VALVE	1	≥36742	←		0.325	0.715
040	TD060-96460	HOSE AUX.CONT.VALVE	1	≤36741			0.3	0.66
040	TD060-96462	HOSE AUX.CONT.VALVE	1	≥36742	←		0.3	0.66
050	99063-93410	ADAPTER	2				0.07	0.154
060	35861-82032	ASSY COUPLER FEMALE	2				0.32	0.704
070	35861-94510	O RING	2				0.002	0.0044
080	35861-94520	PLUG COUPLER	2				0.005	0.011
090	35893-82610	SUPPORT COUPLER	1				0.73	1.606
100	04611-00380	CIR CLIP INTERNAL	2				0.004	0.0088
110	35340-99540	BOLT	2				0.06	0.132
120	02156-50080	NUT	2				0.004	0.0088
130	04512-60080	WASHER SPRING	2				0.002	0.0044
140	35861-82190	ASSY COUPLER MALE	2				0.086	0.1892
150	35861-94530	CAP	2				0.007	0.0154
160	TA040-49640	MARK COUPLER	1				0.002	0.0044