

Farm King

OPERATOR AND PARTS MANUAL

Sickle Bar Mower



Table of Contents

Introduction5

Safety.....6

- Safety Instructions6
- Safety Warning Decals.....7
- Decal and Sign Locations.....9

Specifications..... 10

- Main Features..... 10
- Technical Specifications 11
- Standard Equipment..... 11

Assembly.....12

- Blade Assembly..... 12
- Attaching the Sickle Bar Mower to the Tractor..... 13
- Tractor Linkage..... 15
- Tractor Linkage of Sickle Bar Mower with Mechanical Lift..... 15
- Tractor Linkage of Sickle Bar Mower with Hydraulic Lift..... 16
- Hydraulic Kit Assembly Instructions 17

Operation 18

- Cutting Speed..... 18
- Safety Release Breakaway Latch 18
- Cutting Height Adjustment..... 19
- Raising and Lowering of Sickle Bar Mower Blade 19
- Working Position.....20
- Unhitching the Sickle Bar Mower from Tractor.....21
- Blade Replacement21

Maintenance22

- Greasing and Maintenance Instructions22
- Cleaning of Blade.....22
- Storing the Mower.....22

Part Drawings.....24

- Table 1 - 1901045324
- Table 2 - 1901052828

- Table 3 - 1901052930
- Table 3A - 19010529.....34
- Table 4 - 1901053138
- Table 5 - 1901037040

Warranty44

Manufacturer’s statement: for technical reasons Buhler Industries Inc. reserves the right to modify machinery design and specifications provided herein without any preliminary notice. Information provided herein is of descriptive nature. Performance quality may depend on soil fertility, applied agricultural techniques, weather conditions and other factors.

Introduction

Available in three sizes the Farm King Sickle Bar Mower was designed for simple operation and effective cutting. A dual-action cutter bar ensures a fast, clean and even cut every time. The tilting mower bar allows you to cut on ditches, embankments, and hills.

Keep this manual handy for frequent reference. All new operators or owners must review the manual before using the equipment and at least annually thereafter. Contact your Farm King Dealer if you need assistance, information, or additional copies of the manual. Visit our website at www.farm-king.com for a complete list of dealers in your area.

The directions left, right, front and rear, as mentioned throughout this manual, are as seen facing in the direction of travel of the implement.

Safety

Safety Instructions

Remember, YOU are the key to safety. Good safety practices not only protect you, but also the people around you. Make these practices a working part of your safety program. Be certain that everyone operating this equipment is familiar with the recommended operating and maintenance procedures and follows all the safety precautions. Most accidents can be prevented. Do not risk injury or death by ignoring good safety practices.

The alert symbol is used throughout this manual. It indicates attention is required and identifies hazards. Follow the recommended precautions.



The safety alert symbol means...

ATTENTION! BECOME ALERT! YOUR SAFETY IS INVOLVED!



CAUTION

The caution symbol indicates a potentially hazardous situation that, if not avoided, may result in minor or moderate injury. It may also be used to alert against unsafe practices.



WARNING

The Warning Symbol indicates a potentially hazardous situation that, if not avoided, could result in death or serious injury, and includes hazards that are exposed when guards are removed. It may also be used to alert against unsafe practices.



DANGER

The Danger Symbol indicates an imminently hazardous situation that, if not avoided will result in death or serious injury. This signal word is to be limited to the most extreme situations, typically for machine components that, for functional purposes, cannot be guarded.

Safety Warning Decals

The safety and information decals on this unit are installed to alert operators to dangers in specific machine areas.

Read and understand to avoid personal injury or death.



Keep away from rotating driveline



Always check bolts are well tightened



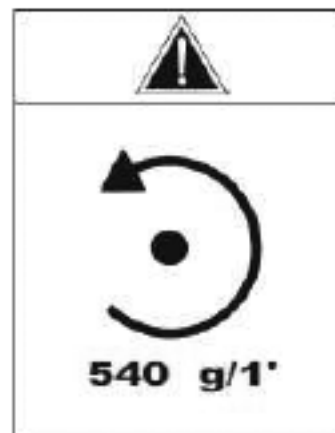
Stay clear of folding blade when opening



Cutting of foot or leg blade movement



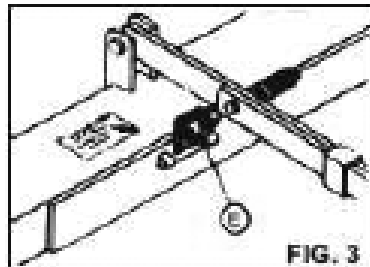
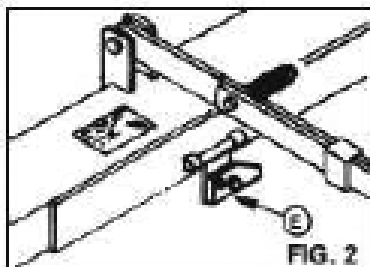
Hook up points for lifting unit and grease points



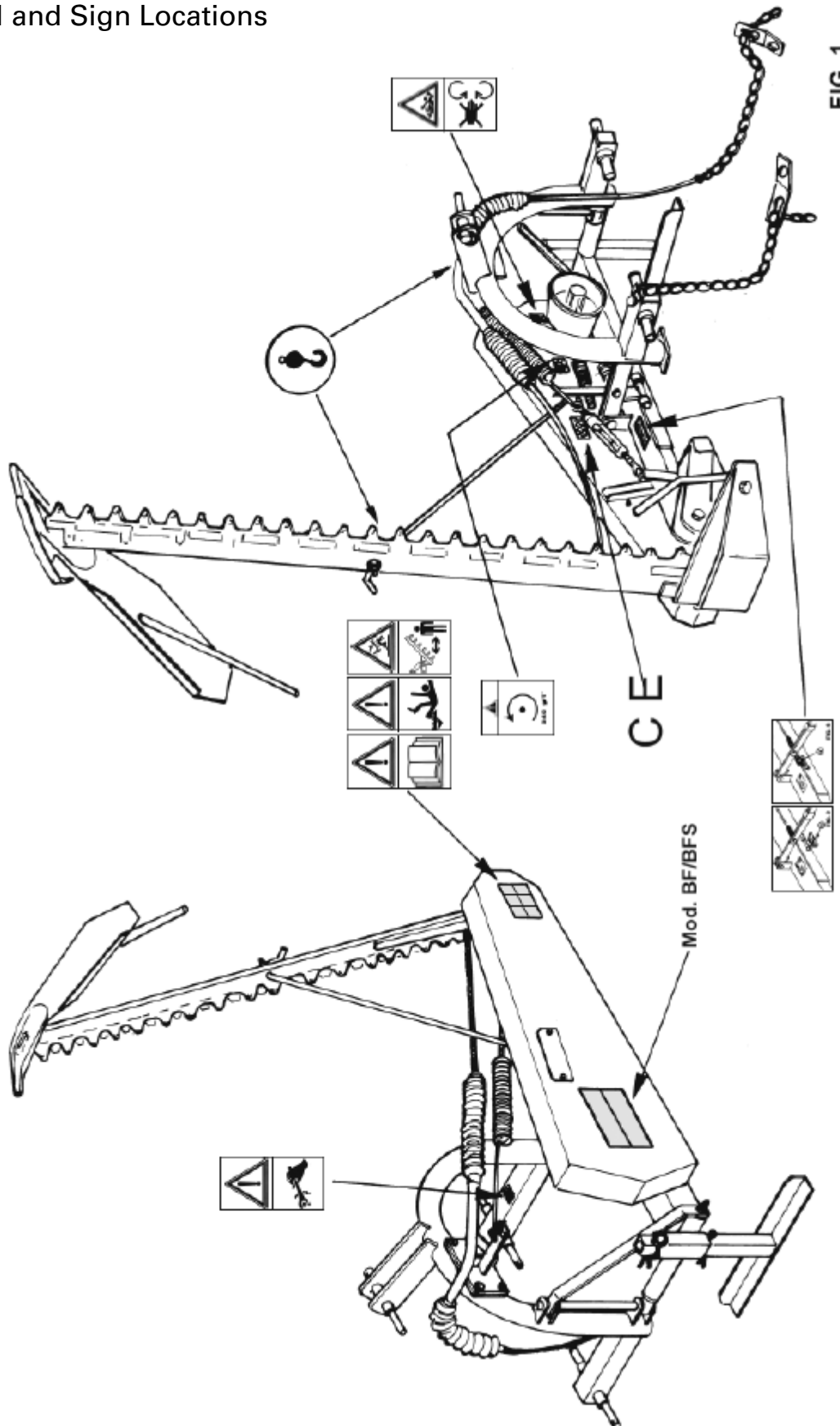
Hook up points for lifting unit

Important operations

1. Connect unit to tractor lift.
2. Raise hydraulic lift of tractor.
3. Turn release support downwards before starting any operations (FIG. 2).
4. Before disconnecting unit turn release support upwards (FIG. 3).



Decal and Sign Locations



Specifications

Main Features

1. Frame
2. Upper 3-point hitch linkage
3. Lower 3-point hitch linkage
4. Frame articulation
5. Foot support
6. Protection guard
7. External shoe
8. Lateral deflector
9. Sickle bar blade
10. Blade attachment rod
11. Compensation spring
12. Compensation spring adjustment rod
13. Blade height adjustment chain
14. Lifting cable adjustment chain
15. Blade lifting cable
16. Blade protection and external shoe
17. Skid

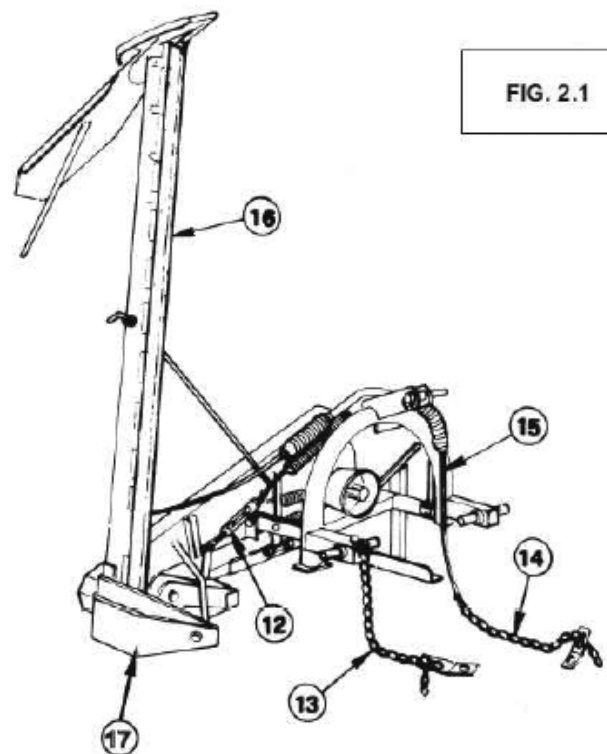
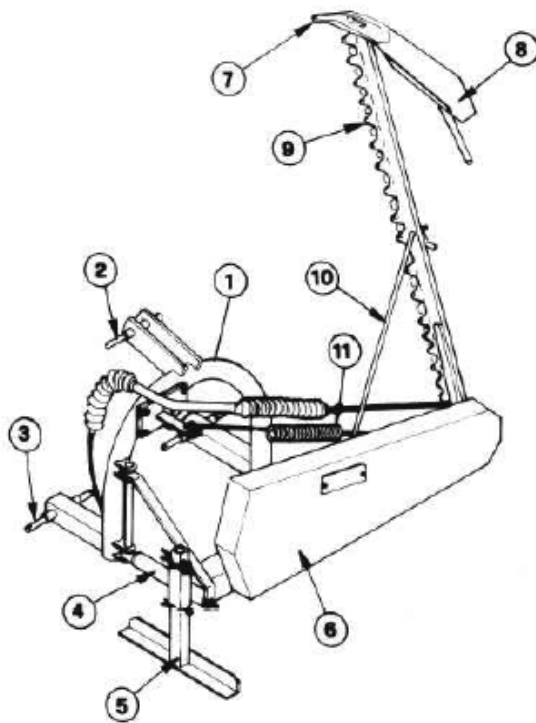


FIG. 2.1

Technical Specifications

- Double action sickle bar mower.
- Safety release mechanism to protect unit from obstructions in field.
- Blade inclination up to 75° downwards and 90° upwards (FIG. 1.1)
- Standard equipment includes: PTO shaft, transport blade protection and extra blade.

Standard Equipment

- Cardan shaft
- Blade protection
- Spare blade

Model	Cutting Width	Weight	HP	PTO RPM	Max Speed
BF-165	65" (165 cm)	547 lb (248 kg)	20/30	540	15 km/h (9.3 mph)
BF-180	71" (180 cm)	560 lb (254 kg)	20/30	540	15 km/h (9.3 mph)
BF-210	83" (210 cm)	584 lb (265 kg)	20/30	540	15 km/h (9.3 mph)
BFS-240/H	94" (240 cm)	628 lb (285 kg)	30/40	540	15 km/h (9.3 mph)
BFS-270/H	106" (270 cm)	661 lb (300 kg)	30/50	540	15 km/h (9.3 mph)

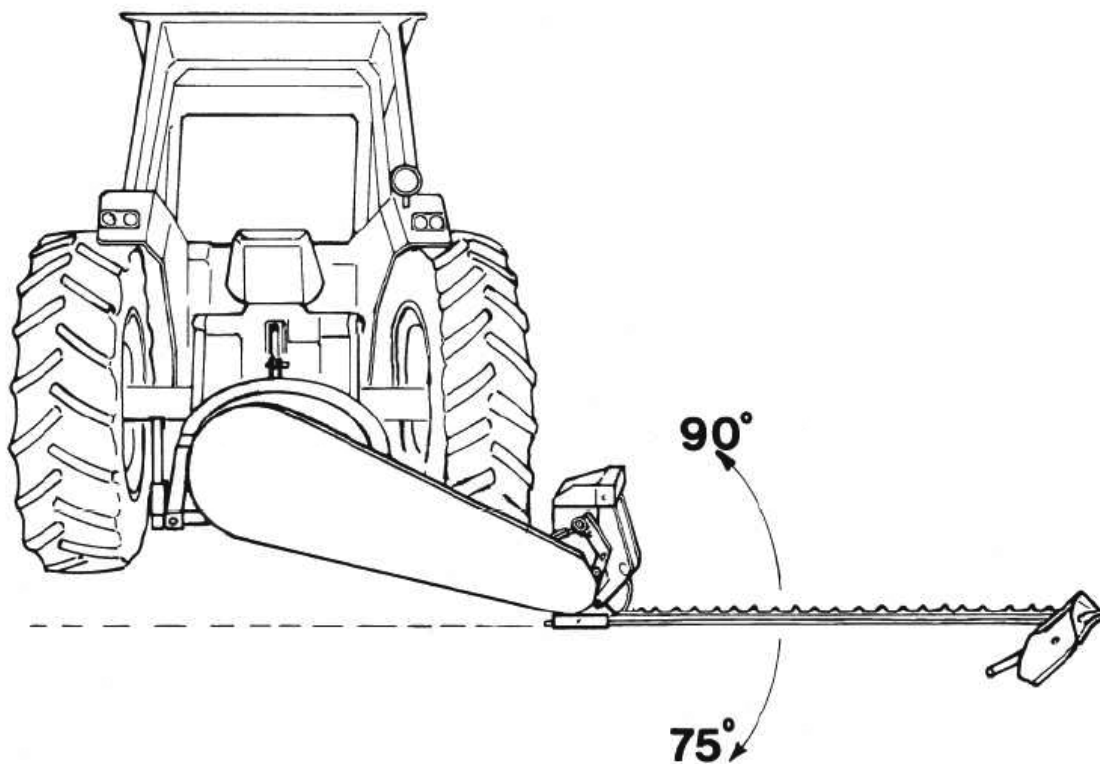


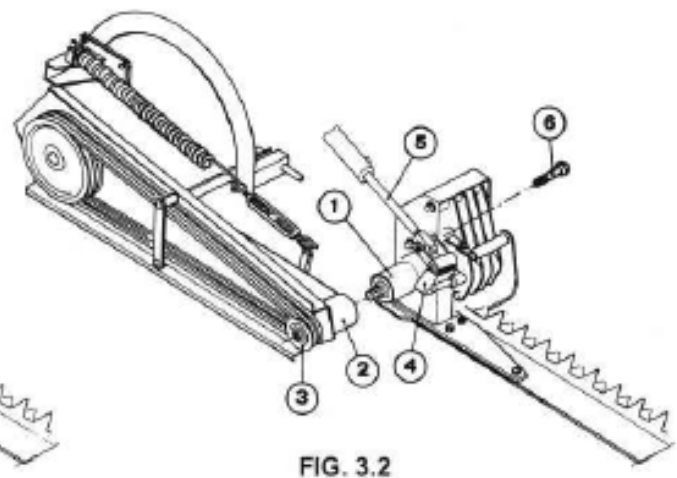
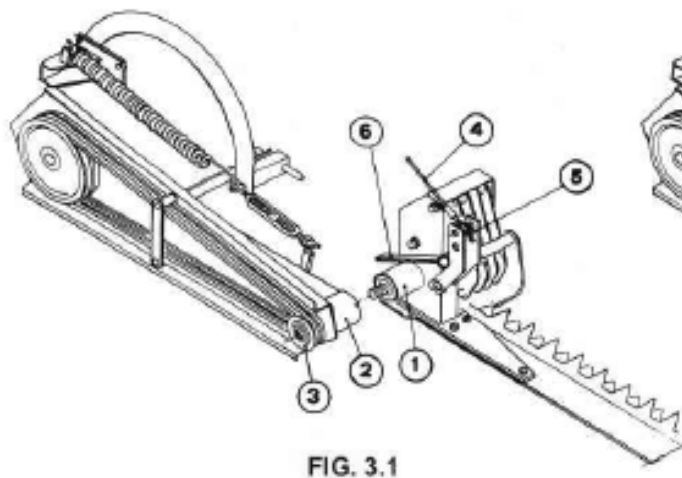
FIG. 1.1

Assembly Instructions

Blade Assembly

Most sickle bar mowers are shipped disassembled and packed in crates therefore before proceeding to connect unit to tractor is necessary to connect blade to three point hitch and main frame.

1. Blade assembly for sickle bar mowers with mechanical lift (FIG. 3.1). Remove from support (1) into frame (2) and fasten with same snap ring and seeger ring. Screw or pull (3) and connect cable (4) to link (5).
2. Blade assembly for sickle bar mowers with hydraulic lift (FIG 3.2). Remove from support (1) pulley (3), snap ring E 80 and seeger ring 80. Insert support (1) into frame (2) and fasten with same snap ring and seeger ring. Screw black ori pulley (3). Mount ori upper pin of support (1) fork hinge (4), insert cylinder shaft (5) and fasten with screw TE 14x65 (6).
3. Mount the three belts and external protection guard.
4. Mount lateral deflector (1) (FIG. 3.3) and fasten with screws TE 12x50 (12), washer 12 (13) and self-locking nut 12 MA (14). Insert screw TE 12x90 (7), washer 12 (8), spring (9) and fasten with self-locking nut (11)
5. For the models BFS 240/H, BFS 270/H insert hydraulic shaft position 5, figure 3.4 to link position 7, always in figure 4.



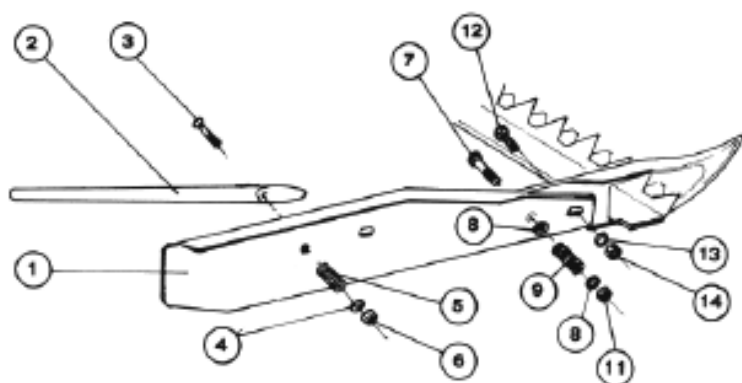


FIG. 3.3

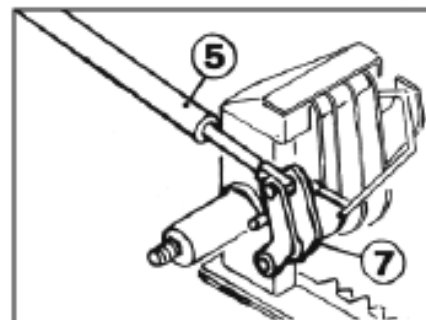


FIG. 3.4

Attaching the Sickle Bar Mower to the Tractor

Before connecting unit to the tractor make sure that all parts are properly in place and that all bolts and nuts are well tightened and all parts correctly lubricated.

Make sure that pins A (FIG 4.1) of three point hitch are clean and greased, connect to tractor link arms B and block with pins C.

Important: According to the type of tractor you have use either internal or external pins A (FIG 4.1) so that internal skid of sickle bar mower A (FIG 4.2) remains behind tractor wheel.

Connect PTO shaft A and three-point hitch top link B (Fig 4.3).

Attach chain hitch plate to three-point hitch (FIG. 4.4) A or use U bolt (supplied) to connect chain to tractor. Make sure that chain is connected at approximately same height of three-point hitch and to a rigid location of tractor

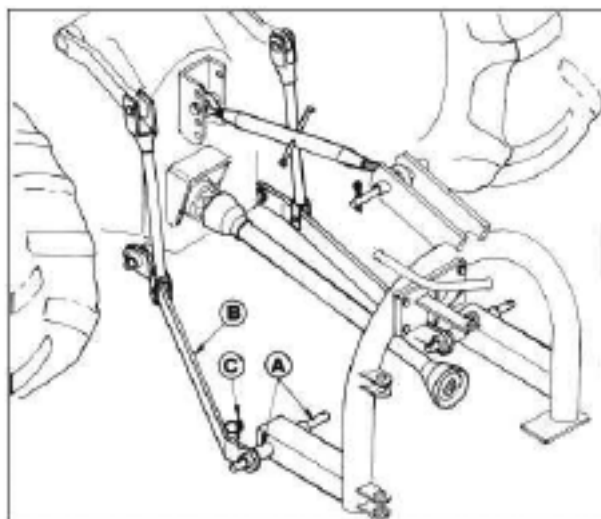


FIG. 4.1

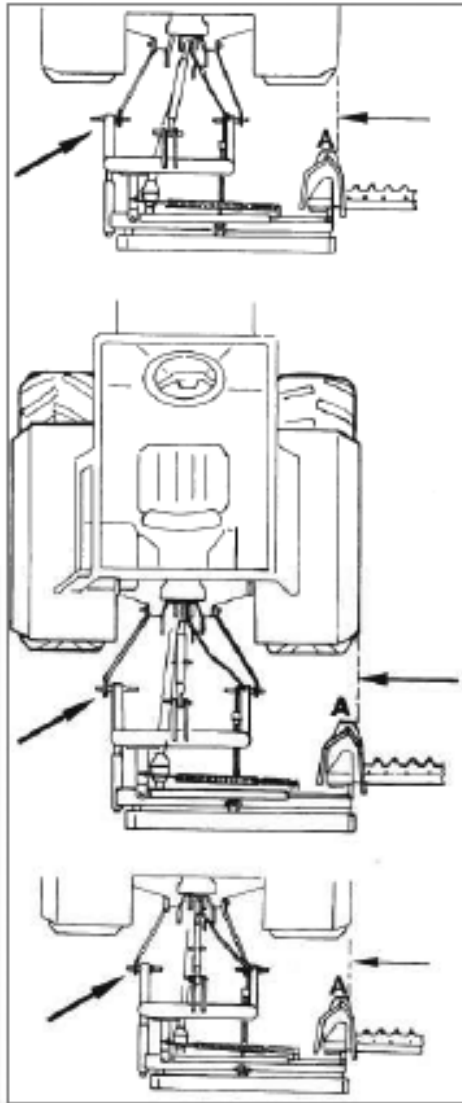


FIG. 4.2

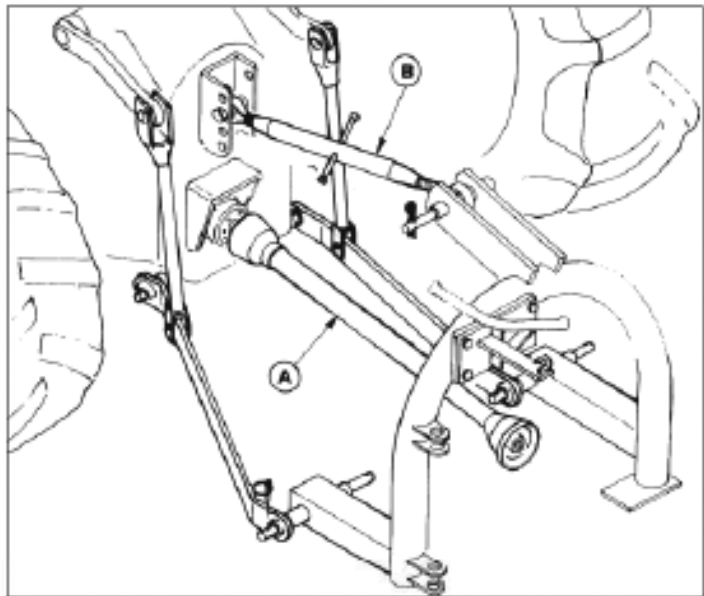


FIG. 4.3

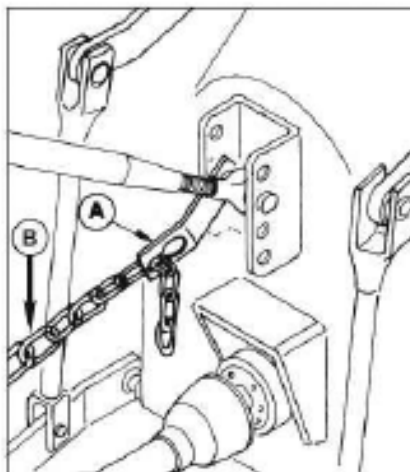


FIG. 4.4

Tractor Linkage

Using hydraulic lift raise sickle bar mower and adjust chain (FIG. 4.4) so that PTO shaft is in horizontal position.

Clearance of lower part of sickle bar mower frame should be of 15.7" (40 cm) from ground (FIG 4.5)

After the adjustment is completed mark chain ring in order to have always the same cutting height.

Raise foot support (FIG. 4.6) and bring into working position and fasten with split pin A.

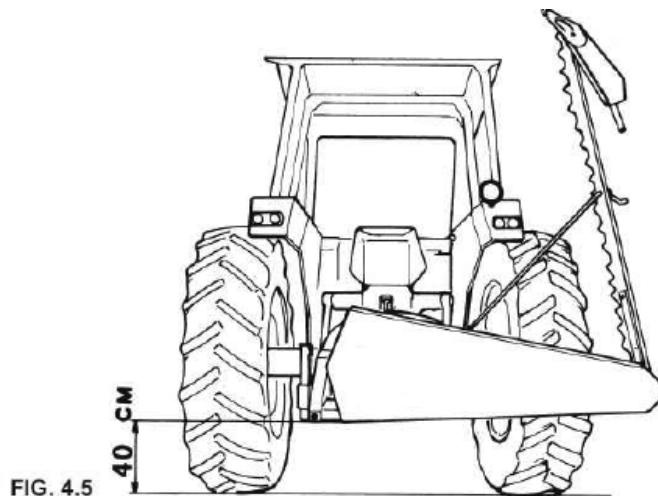


FIG. 4.5

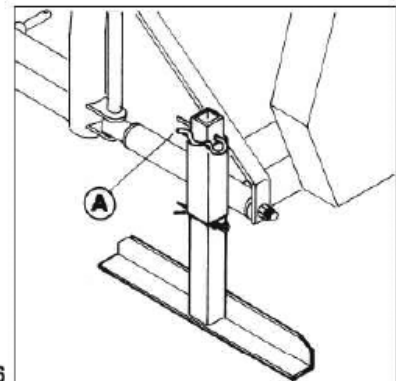


FIG. 4.6

Tractor Linkage of Sickle Bar Mower with Mechanical Lift

Connect plate with hole A (FIG 4.7) to left pin of lower tractor arm. If this is not possible use U-bolt (supplied) and fasten to lowest part of tractor structure with hole. Stretch cable and fasten chain B, (FIG. 4.7) using hydraulic lift of tractor control so that right extremity of sickle bar begins to raise when skid is about 6" (15 cm) from ground (FIG. 4.8). If further adjustments are necessary move chain rings B, in plate with hole A, (FIG. 4.7). After correct position is obtained mark chain ring so that you always have the same height. The weight of sickle bar mower on ground is absorbed by compensation spring A, (FIG 4.9) whose stretch can be adjusted by turnbuckle B. This feature is also mounted on units with hydraulic lift.

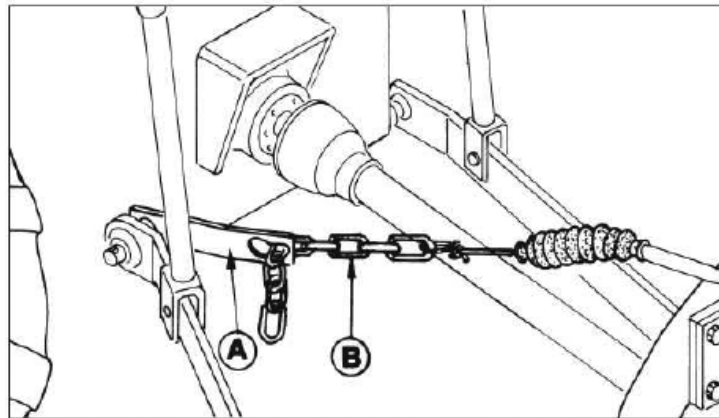


FIG. 4.7

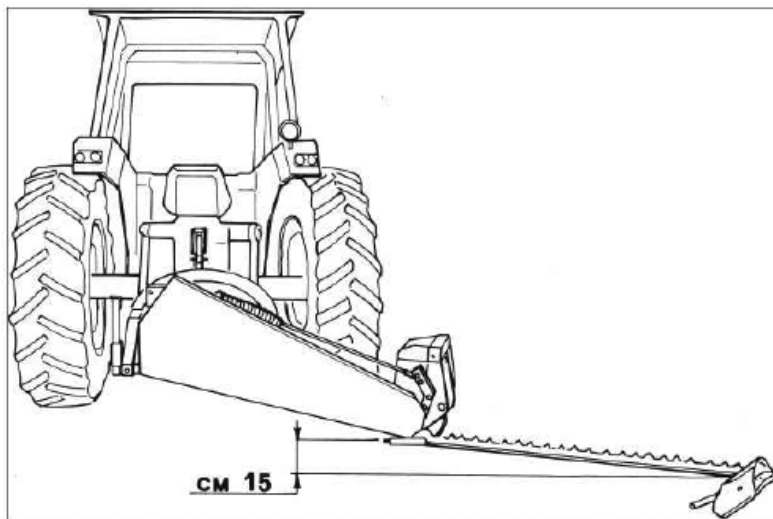


FIG. 4.8

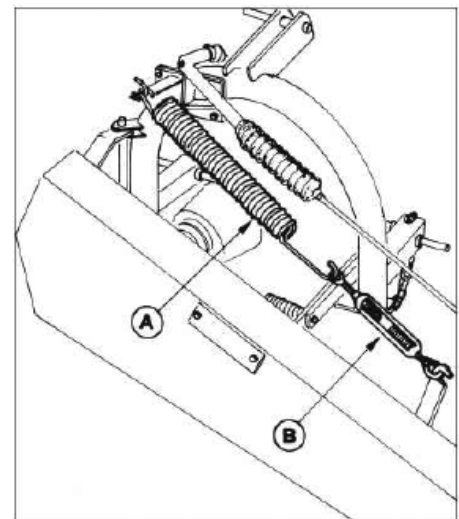


FIG. 4.9

Tractor Linkage of Sickle Bar Mower with Hydraulic Lift

Connect hydraulic hose to tractor. Mount on tractor and close oleodynamic cylinder using distributor lever. This will raise unit completely.

Never close hydraulic cylinder if release support E has not been turned downwards (FIG 4.11)

Control that raising and lowering operations

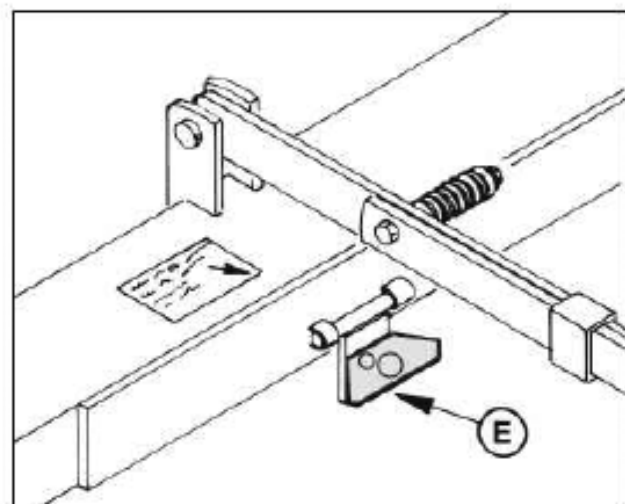


FIG 4.11

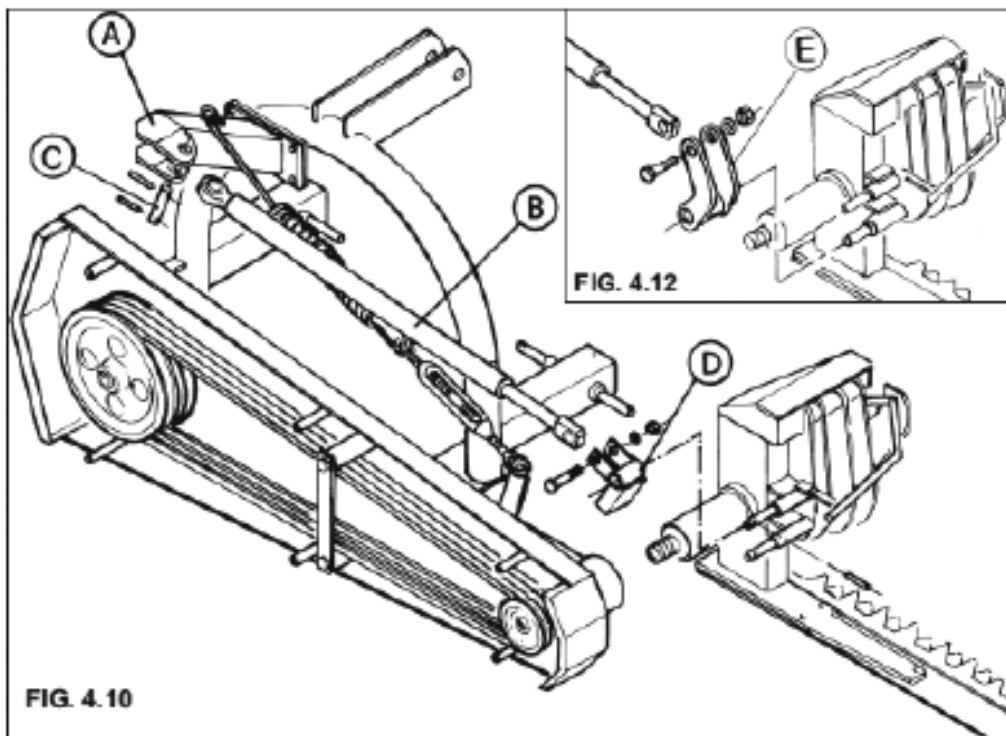
Hydraulic Kit Assembly Instructions

To transform your sickle bar mower from mechanical lift to hydraulic lift refer to Figures 4.10 and 4.12.

Mount lift attachment A for hydraulic cylinder (if not already mounted) after having removed mechanical lift attachment.

Connect cylinder B and fasten with pin C and respective roll pins 6x30. Insert fork D and fasten to cylinder shaft using screw and nut 14x65 after having removed link position 16, lift frame ledge position 19 and the two spacers position 20 as all shown on table 5.

If you have a BFS/240-270H model mount fork E as shown in (FIG 4.12), connect hydraulic hoses.



Operation Instructions

Cutting Speed

For a good quality cut we recommend that you engage PTO speed between 400 to 450 rpm.

Do not operate over 540 rpm and do not overspeed. Keep tractor speed as high as possible between 10 and 15 km/h (6 to 10 m/h) to facilitate grass discharge. In order to avoid clogging up of blade we recommend that the sickle bar mower rests as close as possible to grass to be cut especially in the presence of flattened grass. Always be aware of crop and field conditions. In rough field conditions speed should be reduced.

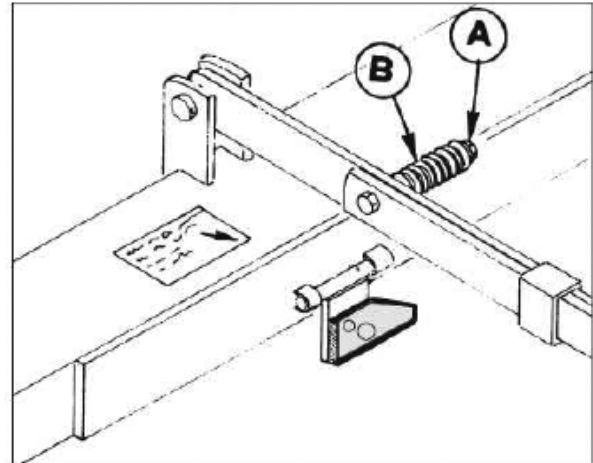


FIG. 5.1

Safety Release Breakaway Latch

Sickle bar mower is protected with a safety release mechanism. If an obstruction is hit the cutter bar will swing back. Stop tractor and do not raise sickle bar. Turn off tractor engine and make sure that PTO shaft is not disengaged, if so, engage PTO shaft in correct position. To reset safety release back up tractor until latch breaks away too often adjust spring B using nut A (FIG. 5.1) and tighten half turn at the time.

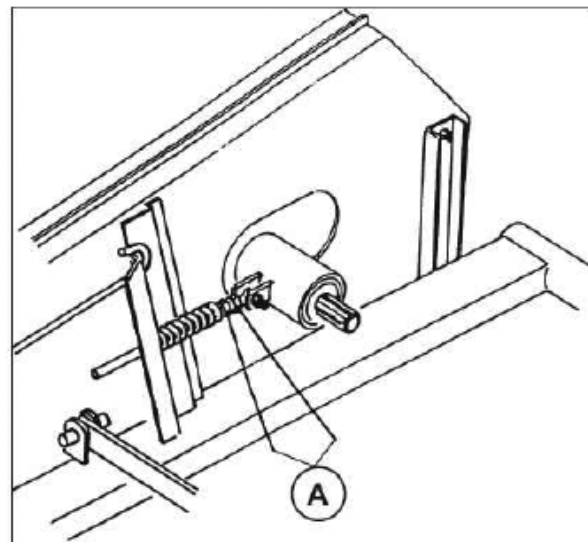


FIG. 5.2

Belt Tension

Check periodically belt tension. Unscrew small window opening on protection guard A (FIG. 5.3).

If necessary tighten belt using nut and conternut A (FIG 5.2).

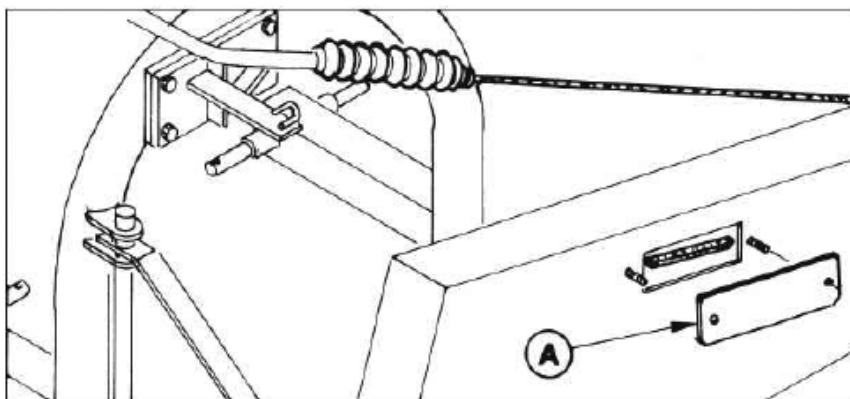
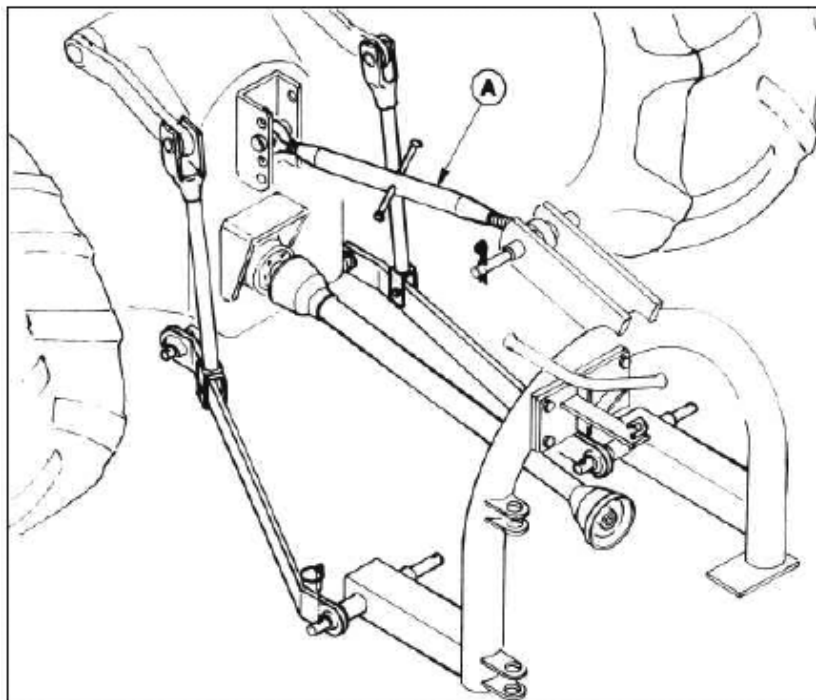


FIG 5.3

Cutting Height Adjustment

Lower sickle mower on ground and use upper third point hitch arm A (FIG 6.1) until the desired cutting height is obtained.

In rough ground conditions or on stony terrains make sure that cutting height is adequate to avoid damage to knives blade.



Raising and Lowering of Sickle Bar Mower Blade

Before carrying out any raising and lowering operations make sure to disconnect PTO shaft from tractor make sure that all moving parts have come to a complete stop.

Road transport: To transport the mower on a road or from a field to another raise mower to reduce overall length.

Important: Remember always to turn release support E upwards before raising mower and before road transport (FIG 7.3).

Once sickle bar mower blade is in vertical position block using tie rod hook A (FIG 7.1) which was previously removed. Fasten tie rod hook A with handle B and insert split pin C and cover blade with protection guard cover. (FIG 7.2).

Working Position

Lower tractor using hydraulic lift.

Get off tractor and remove tie rod hook A (FIG. 7.2) and piece in position on frame (FIG 7.1). Lower sickle bar mower blade.

During working operations make sure that release support E (FIG. 7.3) is in downward position.

Remember always to turn release support E upwards before disconnecting from tractor. This will keep pins in horizontal position and facilitate successive linkage operations.

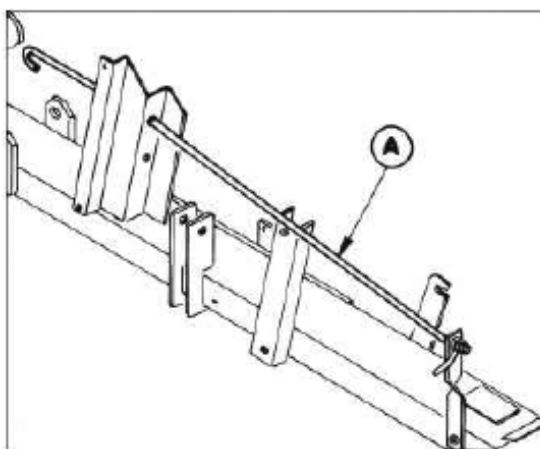


FIG. 7.1

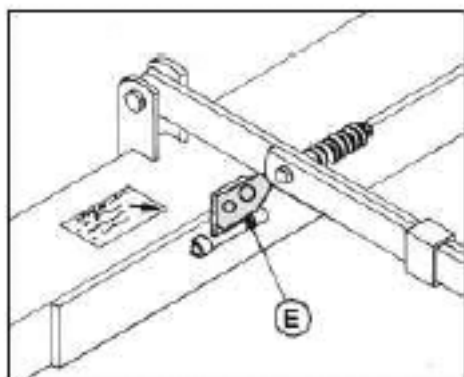


FIG. 7.3

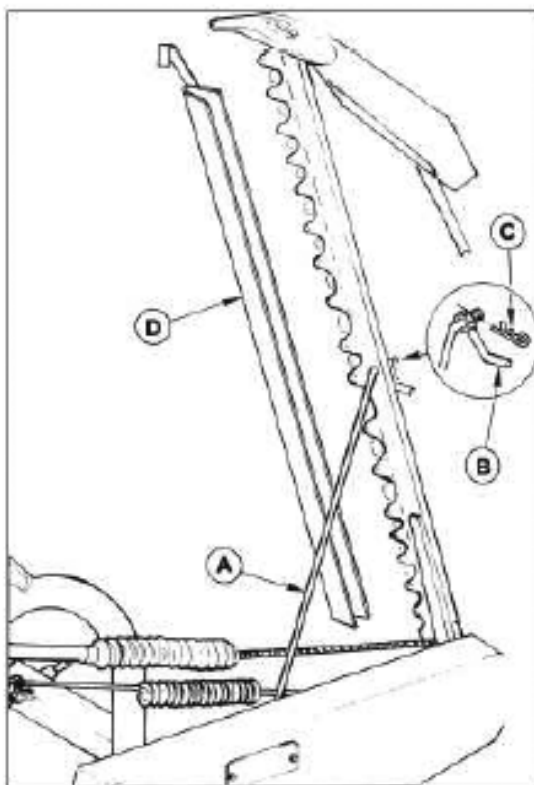


FIG. 7.2

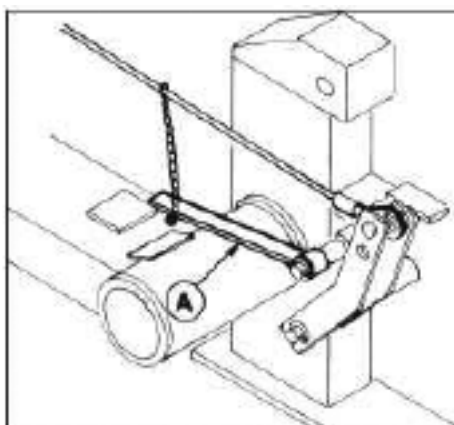


FIG. 7.4

Unhitching the Sickle Bar Mower from Tractor

1. Raise machine completely using hydraulic lift arms of tractor.
2. Using tractor distributor lever draw out cylinder shaft about 10" (25 cm). (This operation is necessary only for units with hydraulic lift).
3. Step down from tractor and disconnect chain.
4. Turn release support upwards E (FIG. 7.3). This will keep linkage pins in horizontal position in order to facilitate next hitching operations.
5. Lower foot support (FIG. 4.6)
6. Lower mower to ground.
7. Disconnect hydraulic hose. (This operation is necessary only for units with hydraulic lift).
8. Unhitch tractor lift arms and upper 3 point hitch arm.
9. Disconnect PTO shaft.

Blade Replacement

Before replacing blade let sickle bar mower idle in order to eliminate any residues and facilitate extraction.

To replace blade loosen and remove nut A and bush B as shown in drawing (FIG 9.1).

Use a cable to facilitate sliding out of blade as illustrated below.

When mounting new blade make sure to lubricate well all cutting knives with a good quality viscose oil.

Grease all parts indicated with grease zerk decals.

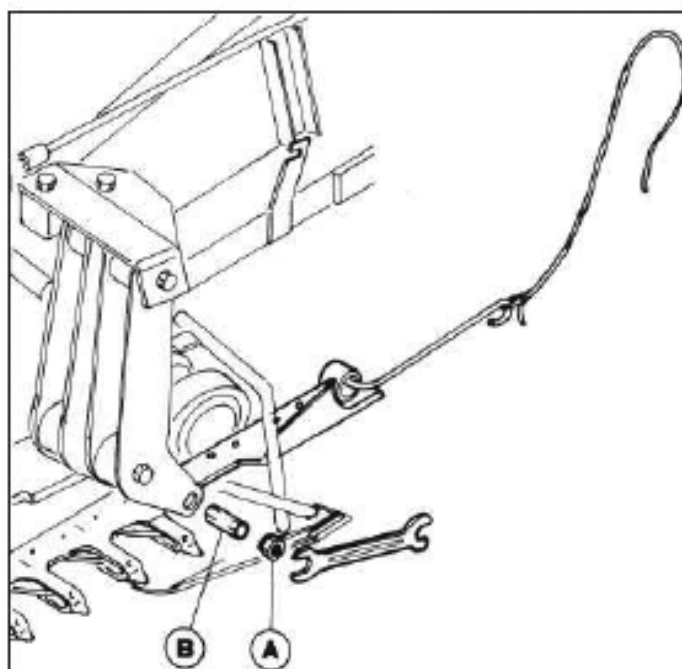


FIG. 9.1

Maintenance

Greasing and Maintenance Instructions

After every 2 working hours:

Lubricate grease fittings as indicated by symbol (FIG 10.1, 10.2, 10.3)

After every 8 working hours:

Lubricate PTO shaft cross journal. Check belt tension and if necessary tighten.

Alter every 50 working hours:

Check that all bolts are well tightened especially those located on blade movement support.

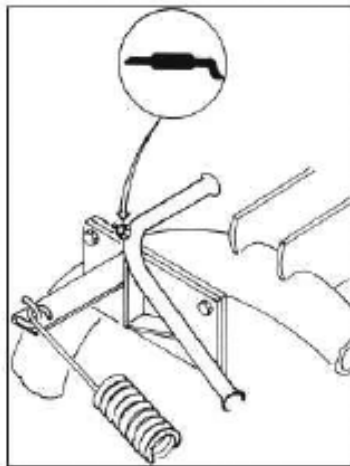


FIG. 10.1

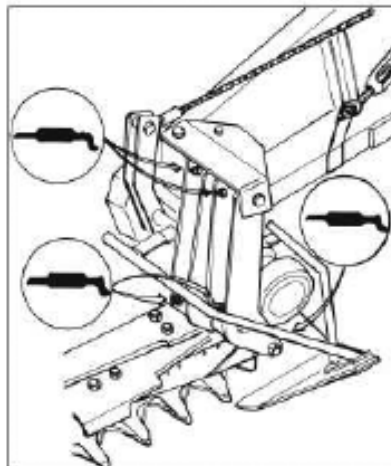


FIG. 10.2

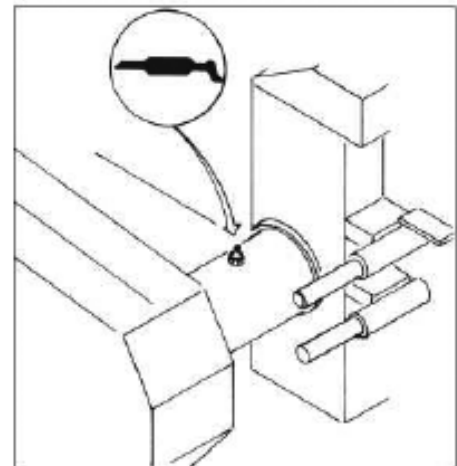


FIG. 10.3

Cleaning of Blade

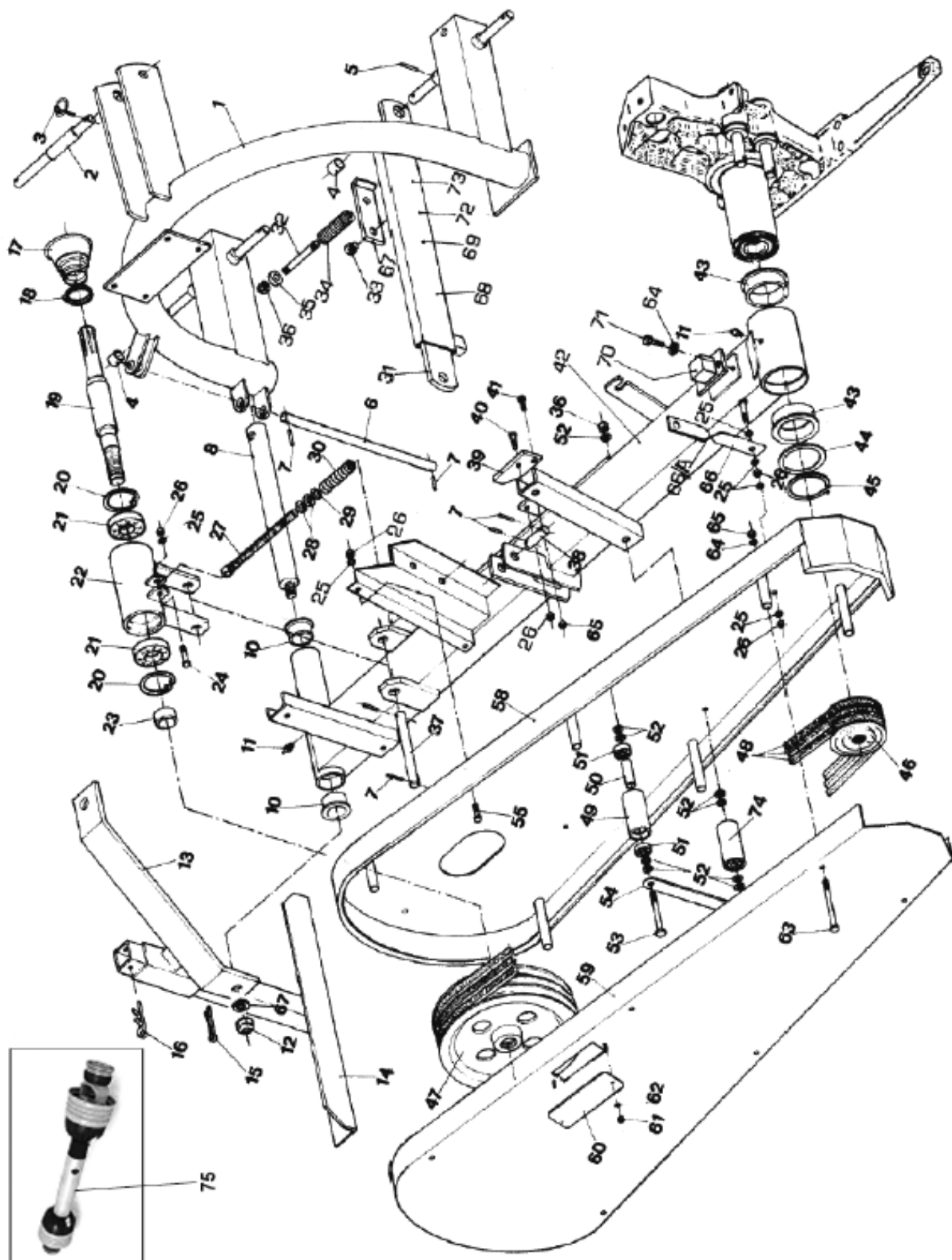
Raise sickle bar mower using hydraulic lift. Make sure tractor is well parked and set brakes. Start sickle bar mower and wash with water using water hose standing at a safe distance from unit. Make sure nobody goes near machine. Turn off tractor engine and disconnect PTO shaft. Check conditions of blade and of unit in general. When machine is dry lubricate knives and blade with a very viscose oil. Turn on tractor and start mower for a few seconds.

Turn off tractor, disconnect PTO shaft and install blade and external shoe protection.

Storing the Mower

Clean mower, lubricate well knives and blade. Replace broken or worn out parts. Control and tighten all bolts and nuts. Lubricate also non-painted areas. Store in a dry place and out of reach of non-specialized personnel.

Table 1 - 19010453



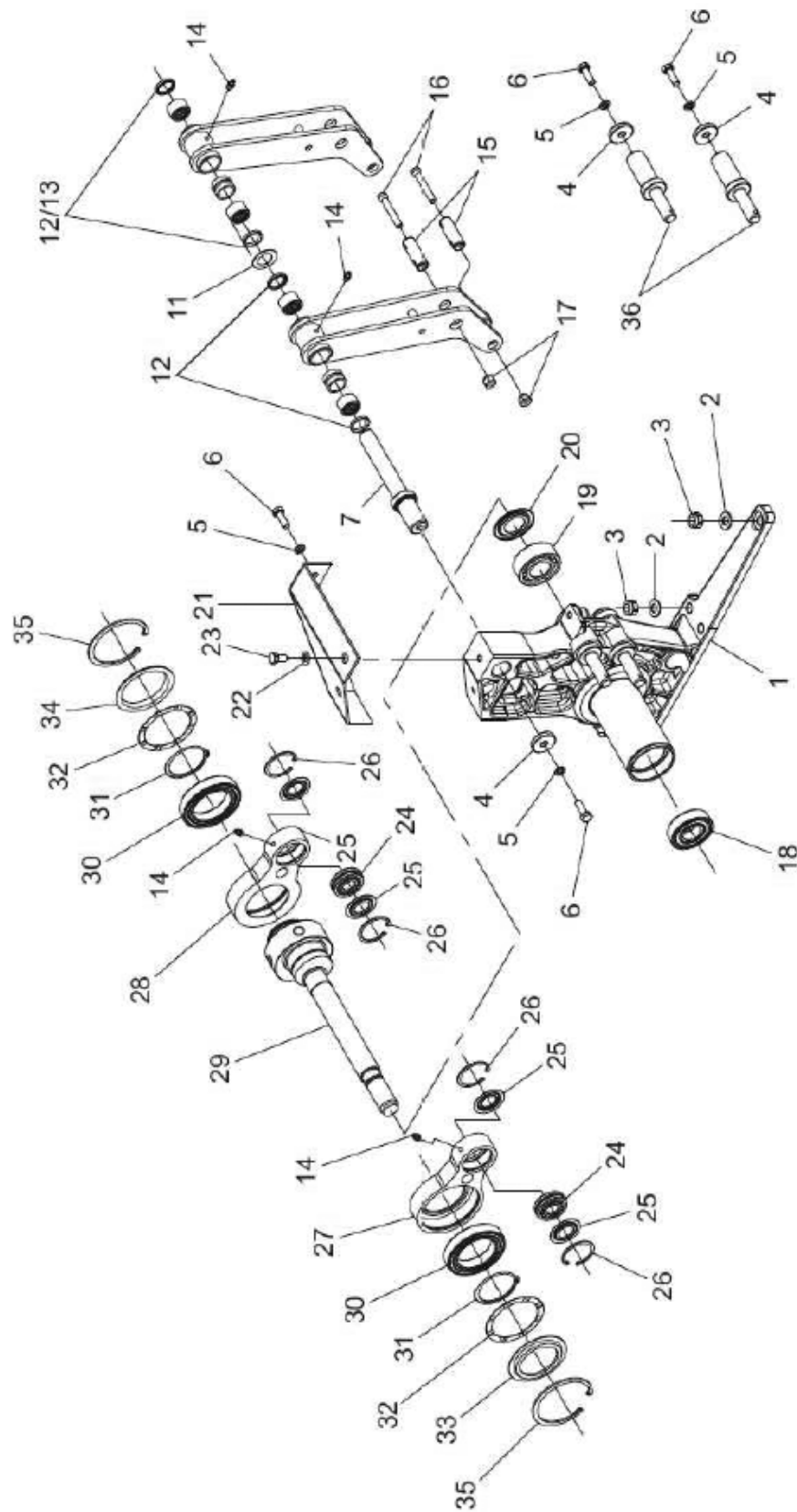
When Ordering Parts

Always give your dealer the Model, Color and Serial Number of your machine to assist him in ordering and obtaining the correct parts. Use the exploded view and tabular listing of the area of interest to exactly identify the required part.

Item	Part Number	Description
1	18031303	3-Point Hitch Arch
2	12310115	3-Point Hitch Pln
3	12880614	Clip Pin
4	12920101	Bushing for Pin
5	3080104	Spring Pin 6x60
6	18031304	Pin
7	3080109	Spring Pin 6x30
8	12880832	Frame Shaft 40
10	9250002	Bush 40x60
11	3090101	Grease Zerk
12	3020212	Self Locking Nut 18 MB
13	18031305	Foot Support Bracket
14	18031306	Foot
15	3040117	Split Pin 8x80
16	3040202	Split Pin 5x100
17	9070104	Protection Guard
18	4010702	Clamp 80-100
19	12880826	Shaft
20	3120105	Snap Ring I 72
21	12240145	Bearing 6207
22	12880828	Shaft Support
23	12880808	Spacer 35
24	3011238	Screw TE 10x60
25	3030159	Flat Washer M10
26	3020328	Nut M10
27	18031307	Belt Stretcher Tie Rod
28	3020313	Nut 16 MA 5589
29	3020313	Washer 16
30	11010620	Spring 34
31	18031370	Sliding Tierod
32	12880891	Fastening Tierod
33	12880892	Pin 20
34	11011004	Spring Disc
35	12880893	Washer 45
36	3020204	Self Locking Nut M 16
37	12880834	Support Pin 20

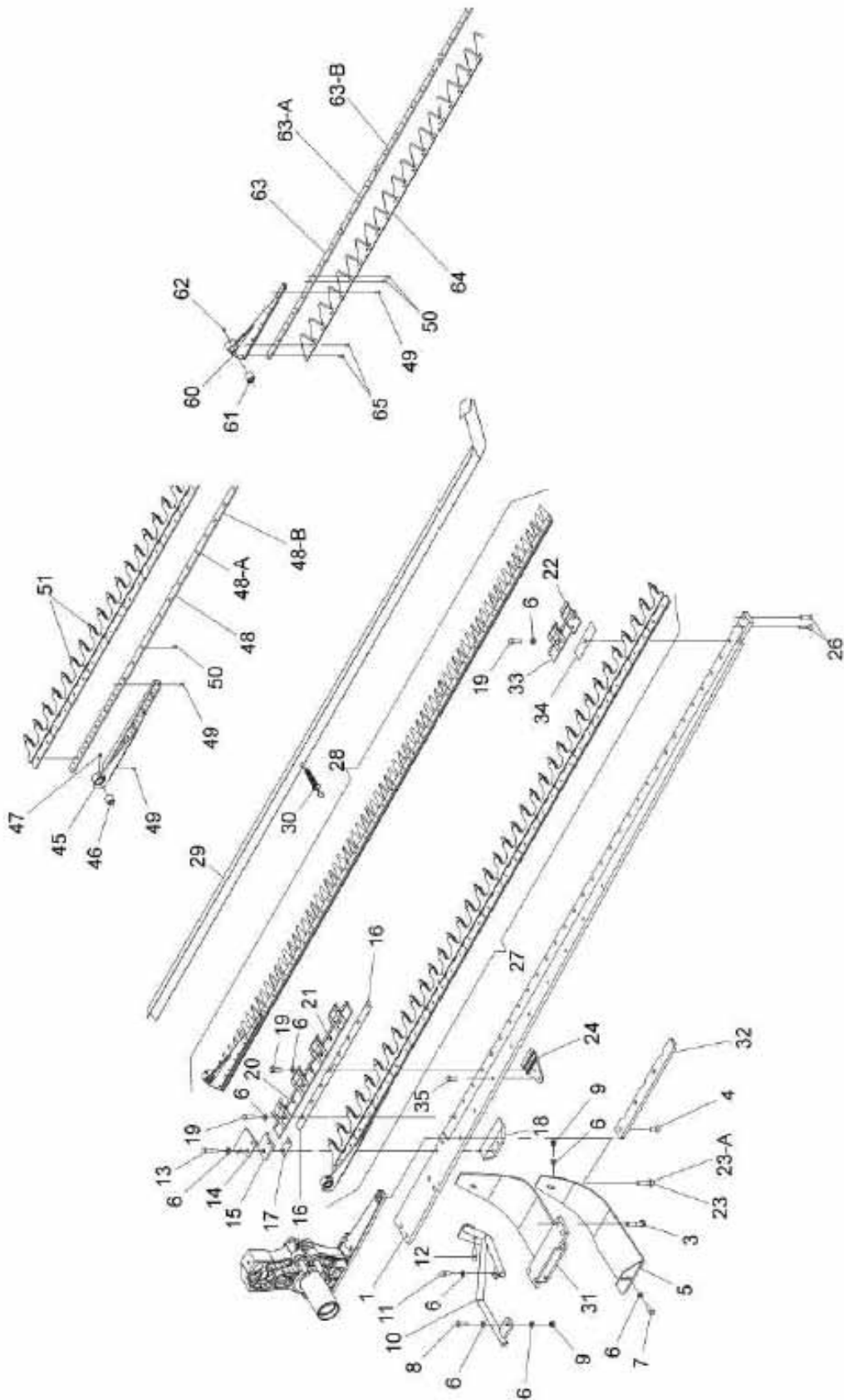
Item	Part Number	Description
38	12880833	Release Pin 20
39	18031309	Release Support
40	3011260	Screw TE 10x35
41	3011252	Safety Screw 8x35
42	12880827	Complete Frame
43	9250003	Bush
44	1011546	Washer 80
45	3120133	Snap Ring 80
46	18031310	Drive Pulley DP 120
47	18031311	Drive Pulley DP 300
48	8020539	Belt SPB 2.580
49	12880836	Belt Guide Roller
50	18031312	Roller Spacer
51	12240156	Bearing 6201
52	3030162	Washer 12
53	3011247	Screw TE 12x120
54	18031313	Rollers Suport
55	3011256	Screw TE 10 x 20
58	18031314	Internal Protection Guard
59	18031315	External Protection Guard
60	1011427	Control Cover
61	3020213	Self Locking Nut 6 MA
62	3030158	Washer 6x18
63	3010275	Screw TE 8x120
64	3030156	Washer 8
65	3020209	Self Locking Nut 8 MA
66	18031316	Tierod Bracket
66A	18031383	Tierod Bracket BF 270
67	18031371	Safety Attachment
68	18031372	Safety Release
69	17310040	Complete Safety Release
70	18031375	Stop BF 240/270
71	3010250	Screw TE 8x10
72	18031399	Safety Release for 240/270
73	17310043	Complete Safety Release for BF 240/270
74	18031902	Complete Guide Roller
75	8020419	Cardan Shaft

Table 2 - 19010528



Item	Part Number	Description
1	12880817	Support
2	11011003	Conic Washer D 14
3	3020215	Self Locking Nut 14MB
4	12880810	Washer 11/40x8
5	3030319	Grower Washer D10
6	3011206	Screw TE M 10x30
7	12880820	Arm Attachment Pin
11	12280201	Fifth Wheel AS 25421
12	12880818	Complete Arm
13	12881262	Complete Arm
14	3090101	Grease Zerk
15	18031321	Bush D20
16	18031320	Bush Screw 10x60
17	18031322	Conic Nut 10MA
18	12240141	Bearing 6306 2 RSR
19	12240235	Bearing 3207 B 2 RSR
20	10011328	Nilos 3207 AV
21	18031318	Cover
22	3030159	Washer D10
23	3011256	Screw TE M 10x20
24	12240236	Bearing 21304 MP
25	10011327	Nilos 21304
26	3120111	Seeger Ringer I 52
27	18032485	Internal Connector
28	18032486	External Connector
29	18031319	Shaft
30	12240158	Bearing 6013 2 RS
31	3120134	Seeger Ring E 65
32	18032433	Washer PS 80/100x0.5
33	18032523	Protection Ring
34	18032434	Protection Ring
35	3120132	Seeger Ring I 100
36	18032487	Attachment Pin

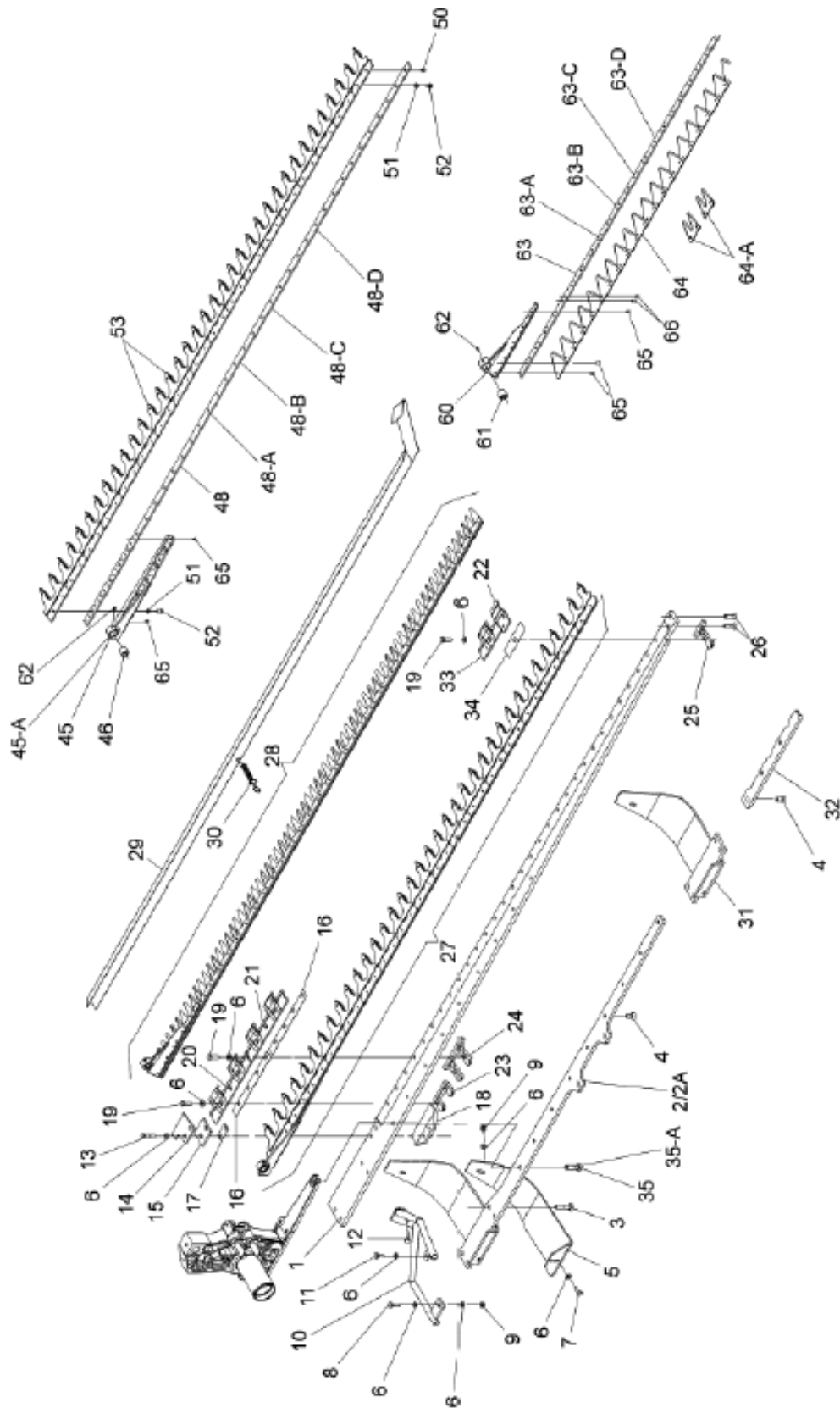
Table 3 - 19010529



Item	Part Number	Description
1	18031385	Bar Mod. 165
1A	18031386	Bar Mod. 180
1B	18031387	Bar Mod. 210
3	3011640	Screw TE M 14x60 MB
4	3010901	Screw TPSEI M 12x30
5	12880823	External Skid
6	3030159	Washer D10
7	3011256	Screw TE M 10x20
8	3011260	Screw TE M 10x35
9	3020201	Self Locking Nut M10
10	18031323	Support Protection
11	3011211	Screw TE M 10x25
12	3011669	Screw TE M 10x40
13	3010214	Screw TE M 10x50
14	1011545	Upper Internal Guide
15	18031326	Shim
16	1011561	Shim 5/10
17	1011562	Shim 10/10
18	18031327	Lower Internal Guide
19	3010213	Screw TE M 10x40
20	18031328	Upper Blade Guide
21	1803132	Upper Blade Guide
22	18031331	External Guide
23	3011641	Screw TE M 14x50 MB BF 210
23A	3011679	Screw TE M 14x40 MB BF 165-180
24	18031330	Lower Blade Guide
26	3010916	Screw TPSEI M 10x45
27	12880889	11 Teeth Rack BF 165
27A	12880842	12 Teeth Rack BF 180
27B	12880812	14 Teeth Rack BF 210
28	12880887	Complete Blade 22 Section BF 165
28A	12880844	Complete Blade 24 Section BF 180
28B	12880845	Complete Blade 26 Section BF 210
29	18031368	Blade Protection BF 165
29A	18031333	Blade Protection BF 180
29B	18031334	Blade Protection BF 210
30	11010523	Protection Spring
31	18031335	Internal Skid
32	18031390	Blade Reinforcement BF/BFS 210
33	18031357	Blade Guide BF 165
34	18031369	Shim BF/BFS 165

Item	Part Number	Description
35	3010281	Screw TE M 10x30
45	12880848	Blade Teeth Head
46	12880855	Bush
47	3090103	Greaser Zerk
48	12880888	Teeth Bar BF 165
48A	12880851	Teeth Bar BF 180
48B	12880852	Teeth Bar BF 210
49	3220101	Rivet 6x19
50	3220102	Rivet 6x12
51	12880854	Double Blade Tooth
60	12000047	Blade Section Head
61	12880855	Bush
62	3090102	Greaser Zerk
63	12880886	Blade Bar BF/BFS 165
63A	12880849	Blade bar BF/BFS 180
63B	12880850	Blade bar BF/BFS 210
64	12880853	Blade Section

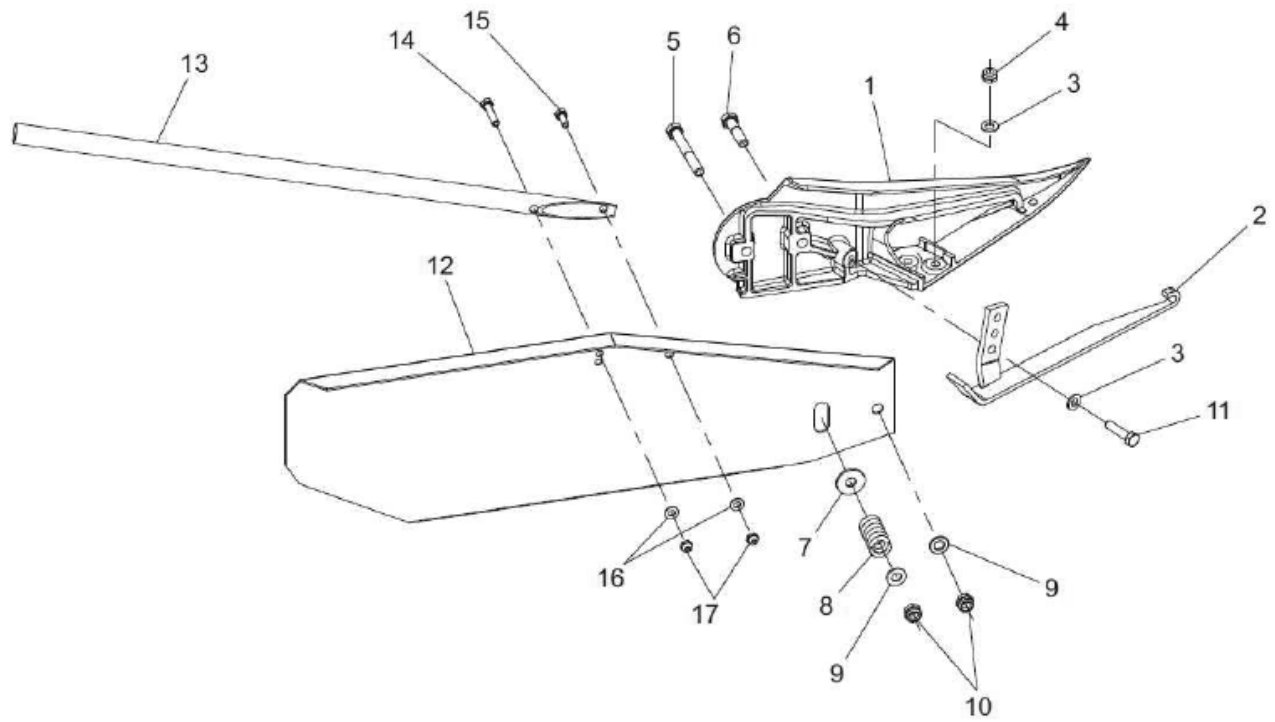
Table 3A - 19010530



Item	Part Number	Description
1	18031992	Bar BFS 165
1A	18031904	Bar BFS 180
1B	18031905	Bar BFS 210
1C	18031995	Bar BFS 240
1D	18031993	Bar BFS 270
2	18032521	Internal Skid BFS 240
2A	18032522	Internal Skid BFS 270
3	3011640	Screw TE M 14x60 MB
4	3010901	Screw TPSEI M 12x30
5	12880823	External Skid
6	3030159	Washer D10
7	3011256	Screw TE M 10x20
8	3011260	Screw TE M 10x35
9	3020201	Self Locking Nut M10
10	18031323	Support Protection
11	3011211	Screw TE M 10x25
12	3011669	Screw TE M 10x40
13	3010214	Screw TE M 10x50
14	1011545	Upper Internal Guide
15	18031326	Shim
16	1011561	Shim 5/10
17	1011562	Shim 10/10
18	18031327	Lower Internal Guide
19	3011624	Screw TE M 10x35
20	18032442	Upper Blade Guide
21	18032443	Upper Blade Guide
22	18031331	External guide
23	18032448	Lower Blade Guide
24	18032444	Lower Blade Guide
25	18032445	Lower Blade Guide
26	3010916	Screw TPSEI M 10x45
27	12881289	11 Teeth Rack BF 165
27A	12881976	12 Teeth Rack BF 180
27B	12881977	14 Teeth Rack BF 210
27C	12881297	16 Teeth Rack BF 240
27D	12881295	18 Teeth Rack BF 270
28	12880887	Complete Blade 22 Sections BF/BFS 165
28A	12880844	Complete Blade 24 Sections BF/BFS 180
28B	12880845	Complete Blade 26 Sections BF/BFS 210
28C	12881346	Complete Blade 32 Sections BF/BFS 240
28D	12880884	Complete Blade 36 Sections BF/BFS 270

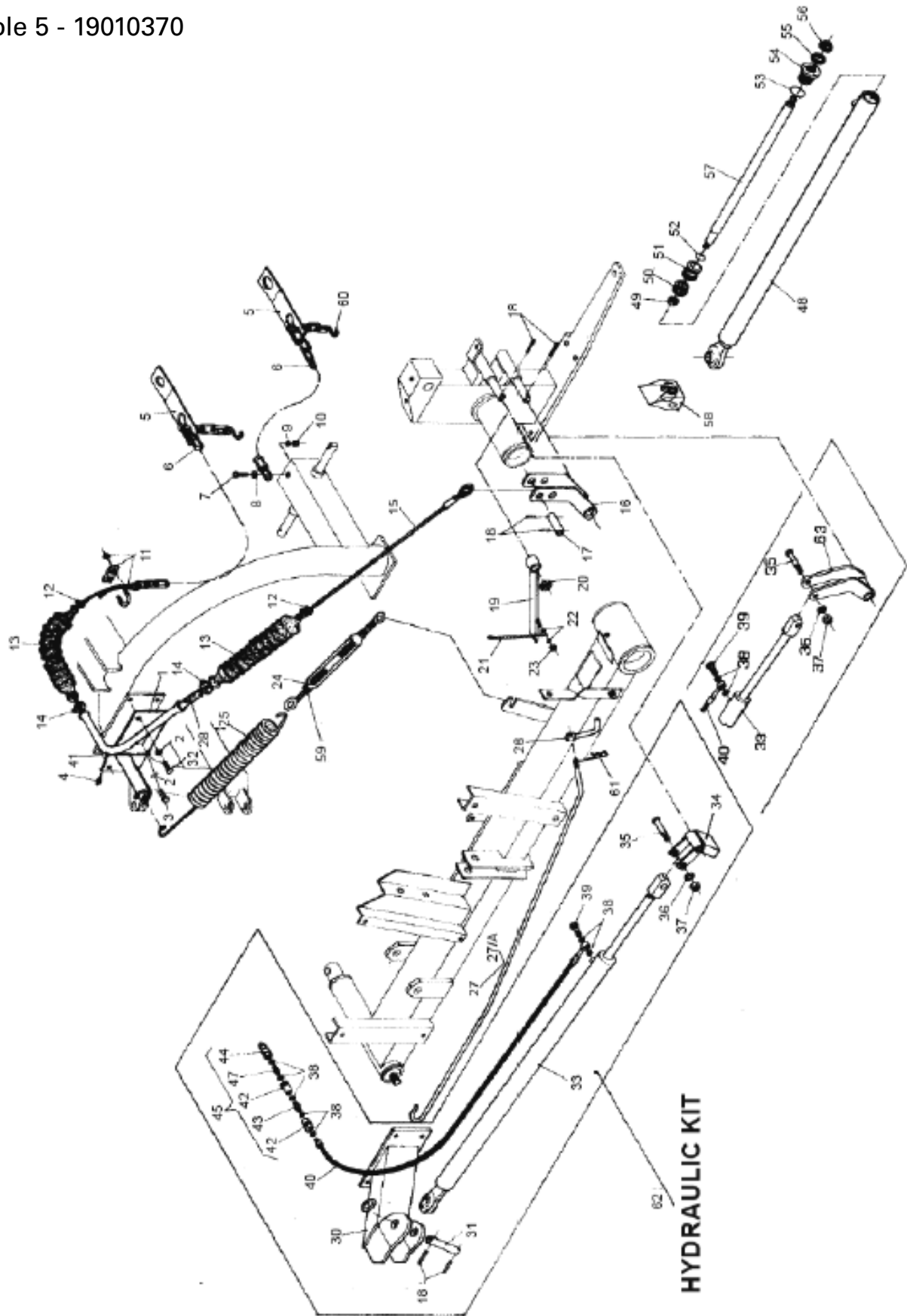
Item	Part Number	Description
29	18031368	Blade Protection BF/BFS 165
29A	18031333	Blade Protection BF/BFS 180
29B	18031334	Blade Protection BF/BFS 210
29C	18031380	Blade Protection BF/BFS 240
29D	18031381	Blade Protection BF/BFS 270
30	11010523	Protection Spring
31	18031335	Internal Skid
32	18031390	Blade Reinforcement BF/BFS 210
33	18032488	Blade Guide BFS 165
34	1013553	Shim BFS 165
35	3011679	Screw TE M 14x40 MB BFS 165/180/210
35A	3011641	Screw TE M 14x50 MB BFS 210/240/270
45	12881261	Blade Teeth Head BFS 165/180/210
45A	12881355	Blade Teeth Hand BFS 210/240/270
46	12880855	Bush
48	12881358	Teeth Bar BFS 165
48A	12881359	Teeth Bar BFS 180
48B	12881360	Teeth Bar BFS 210
48C	12881361	Teeth Bar BFS 240
48D	12881362	Teeth Bar BFS 270
50	3010803	Screw TPSEI M 8x12
51	3030188	Washer 8/18x1.4
52	3011683	Screw TE M 8x12 MB
53	12881230	Double Blade Tooth
60	12880847	Blade Section Head
61	12880855	Bush
62	3090102	Grease Zerk
63	12880886	Teeth Bar BFS 165
63A	12880849	Teeth Bar BFS 180
63B	12880850	Teeth Bar BFS 210
63C	12880894	Teeth Bar BFS 240
63D	12880895	Teeth Bar BFS 270
64	12880853	Blade Section BF/BFS 165/180/210
64A	12880858	Blade Section BF/BFS 240/270
65	3220101	Rivet 6x19
66	3220102	Rivet 6x12

Table 4 - 19010531



Item	Part Number	Description
1	18031374	External Show
2	18031388	Lateral Skid
3	3030159	Washer D10
4	3020201	Self Locking Nut m10
5	3011276	ScrewTE M 12x90
6	3011244	ScrewTE M 12x50
7	3030179	Washer 12x36
8	11010618	Spring
9	3030162	Washer D12
10	3020202	Self Locking Nut M12
11	3010213	ScrewTE M 10x40
12	18031325	Lateral Deflector
13	18031336	Deflector Tube
14	3010127	ScrewTTQST M 8x40
15	3010126	ScrewTTQST M 8x20
16	3030156	Washer D8
17	3020209	Self Locking Nut M8

Table 5 - 19010370



Item	Part Number	Description
1	18031302	Mechanical Lift Att.
2	3030159	Washer 10
3	3011256	Screw TE 10x20
4	3090102	Grease Zerk
5	12880829	Hitch Plate
6	3150107	Chain (26 Rings)
7	3011208	Screw TE 12x40
8	12880813	Washer 13
9	3030162	Flat Washer 12
10	3020202	Self Locking Nut M12
11	3170103	Holdfast 8
12	4010711	Clamp 4.6-120
13	9070105	Guard
14	4010710	Clamp 25/40
15	12570102	Lifting Cable
16	18031337	Link BF 150-165-180-210
17	12880833	Pin 20x68
18	3080109	Spring Pin 6x30 1668
19	18031338	Lift Frame Ledge
20	12880843	Spacer 20.30.10
21	18031343	Chain
22	3030160	Washer 6x18
23	3020213	Self Locking Nut 6MA
24	12880839	Turnbuckle
25	11010522	Spring
26	18031996	Nut with Handle
27	18031340	Tierod
27A	12880885	Tierod BFS 270
28	11010619	Cable Spring
30	18031341	Hydraulic Cylinder Att.
31	12880815	Pin 20 LG. 91
32	3011211	Screw TE 10x25
33	12770801	Complete Hydraulic Cylinder
34	18031342	Fork Hinge
35	3011642	Screw TE 14x65
36	3030161	Washer
37	3020203	Self Locking Nut 14 MA
38	3030406	Copper Washer
39	3011643	Drilled Screw 1/4"
40	12760602	Hydraulic Hose 1/4"
41	3011672	Screw TE 6x16

Item	Part Number	Description
42	4020403	Flow Regulation Valve
43	4010212	Nipple 1/4"
44	4011804	Quick Coupler
45	12760601	Complete Hydraulic Hose
47	4010211	Nipple 1/4" and 1/2"
48	12400201	Cylinder 40x25
49	3020215	Self Locking Nut M14
51	12410201	Head
54	12420201	Ring Nut
57	12420201	Shaft 25
58	10010663	Complete Seal Kit
59	3020332	Hex Nut 14MA
60	3170105	S Hook
61	3040201	Split Pin 3x60
62	18031301	Hydraulic Lift
63	18031382	Link BFS 240/270

Farm King Limited Warranty

This document limits your warranty rights.

Base Limited Warranty

Buhler Industries Inc. provides this warranty only to original retail purchasers of its product. Buhler Industries Inc. warrants to such purchasers that all Buhler Industries Inc. manufactured parts and components used and serviced as provided for in the Operator's Manual shall be free from defects in materials and workmanship for a period following delivery to the original retail purchaser of 12 months (80 days for commercial applications). This limited warranty applies only to those parts and components manufactured by Buhler Industries Inc. Parts and components manufactured by others are subject to their manufacturer's warranties, if any.

Buhler Industries Inc. will fulfill this limited warranty by, at its option, repairing or replacing any covered part that is defective or is the result of improper workmanship, provided that the part is returned to Buhler Industries Inc. within thirty (30) days of the date that such defect or improper workmanship is, or should have been, discovered. Buhler Industries Inc. reserves the right to either inspect the product at the buyer's location or have it returned to the factory for inspection. Parts must be returned through the selling representative and the buyer must prepay transportation charges.

Buhler Industries Inc. will not be responsible for repairs or replacements that are necessitated, in whole or part, by the use of parts not manufactured by or obtained from Buhler Industries Inc. Under no circumstances are component parts warranted against normal wear and tear. There is no warranty on product pump seals, product pump bearings, rubber product hoses, pressure gauges, or other components that require replacement as part of normal maintenance. Also: Buckets and Bucket Tines carry no warranty, Bent Spears carry no warranty, Snowblower Fan Shafts carry no warranty, Mower Blades carry no warranty, Portable Auger Parts Have Two (2) Year Warranty, Loader Parts Have Two (2) Year Warranty. The purchaser is solely responsible for determining suitability of goods sold. This warranty is expressly in lieu of all other warranties expressed or implied. Buhler Industries Inc. will in no event be liable for any incidental or consequential damages whatsoever. Nor for any sum in excess of the price received for the goods for which liability is claimed.

Repair Parts Limited Warranty

Buhler Industries Inc. warrants Farm King replacement parts purchased after the expiration of the Buhler Industries Inc. Limited Warranty, and used and serviced as provided for in the Operator's Manual, to be free from defects in materials or workmanship for a period of thirty (30) days from the invoice date for the parts. Buhler Industries Inc. will fulfill this limited warranty by, at its option, repairing or replacing any covered part that is defective or is the result of improper workmanship, provided that the part is returned to Buhler Industries Inc. within thirty (30) days of the date that such defect or improper workmanship is, or should have been, discovered. Such parts must be shipped to Buhler Industries Inc. at the purchaser's expense.

What is Not Covered

Under no circumstances does this limited warranty cover any components or parts that have been subject to the following: negligence; alteration or modification not approved by Buhler Industries Inc.; misuse; improper storage; lack of reasonable and proper maintenance, service, or repair; normal wear; damage from failure to follow operating instructions; accident; and/or repairs that have been made with parts other than those manufactured, supplied, and or authorized by Buhler Industries Inc.

Authorized Dealer and Labor Costs

Repairs eligible for labor under this limited warranty must be made by Buhler Industries Inc. or an authorized Farm King dealer. Buhler Industries Inc. retains the exclusive discretion to determine whether it will pay labor costs for warranty repairs or replacements, and the amount of such costs that it will pay and the time in which the repairs will be made. If Buhler Industries Inc. determines that it will pay labor costs for warranty work, it will do so by issuing a credit to the dealer's or distributor's account. Buhler Industries Inc. will not approve or pay invoices sent for repairs that Buhler Industries Inc. has not previously approved. Warranty service does not extend the original term of this limited warranty.

Warranty Requirements

To be covered by warranty, each Farm King new product must be registered with Buhler Industries Inc. within thirty (30) days of delivery to original retail purchaser. If the customer decides to purchase replacement components before the warranty disposition of such components is determined, Buhler Industries Inc. will bill the customer for such components and then credit the replacement invoice for those components later determined to be covered by this limited warranty. Any such replacement components that are determined not be covered by this limited warranty will be subject to the terms of the invoice and shall be paid for by the purchaser.

Warranty Claims:

Warranty requests must be prepared on Buhler Industries Inc. Warranty Claim Forms with all requested information properly completed. Warranty Claims must be submitted within a thirty (30) day period from date of failure repair.

Warranty Labor:

Any labor subject to warranty must be authorized by Buhler Industries Inc. The labor rate for replacing defective parts, where applicable, will be credited at 100% of the dealer's posted shop rate.

Exclusive Effect of Warranty and Limitation of Liability

TO THE EXTENT PERMITTED BY LAW, BUHLER INDUSTRIES INC. DISCLAIMS ANY WARRANTIES, REPRESENTATIONS, OR PROMISES, EXPRESS OR IMPLIED, AS TO THE QUALITY, PERFORMANCE, OR FREEDOM FROM DEFECT OF THE COMPONENTS AND PARTS COVERED BY THIS WARRANTY AND NOT SPECIFICALLY PROVIDED FOR HEREIN.

TO THE EXTENT PERMITTED BY LAW, BUHLER INDUSTRIES INC. DISCLAIMS ANY IMPLIED WARRANTIES OF MERCHANTABILITY AND FITNESS FOR A PARTICULAR PURPOSE ON ITS PRODUCTS COVERED HEREIN, AND DISCLAIMS ANY RELIANCE BY THE PURCHASER ON BUHLER INDUSTRIES INC.'S SKILL OR JUDGMENT TO SELECT OR FURNISH GOODS FOR ANY PARTICULAR PURPOSE. THE PURCHASER'S ONLY AND EXCLUSIVE REMEDIES IN CONNECTION WITH THE BREACH OR PERFORMANCE OF ANY WARRANTY ON PRODUCTS MANUFACTURED BY BUHLER INDUSTRIES INC. ARE THOSE SET FORTH HEREIN. IN NO EVENT SHALL BUHLER INDUSTRIES INC. BE LIABLE FOR INCIDENTAL OR CONSEQUENTIAL DAMAGES (INCLUDING, BY WAY OF EXAMPLE ONLY AND NOT LIMITATION, LOSS OF CROPS, LOSS OF PROFITS OR REVENUE, OTHER COMMERCIAL LOSSES, INCONVENIENCE, OR COST OF REPLACEMENT OF RENTAL EQUIPMENT). IN NO EVENT SHALL FARM KING'S CONTRACT OR WARRANTY LIABILITY EXCEED THE PURCHASE PRICE OF THE PRODUCT.

(Note that some provinces or states do not allow limitations on how long an implied warranty lasts or the exclusion or limitation of incidental or consequential damages, so the above limitations and exclusion may not apply to you.) This warranty gives you specific legal rights and you may also have other rights, which vary from province to province or state to state.

Buhler Industries Inc. neither assumes nor authorizes any person or entity, including its selling representatives, to assume any other obligations or liability in connections with the sale of covered equipment, or to make any other warranties, representations, or promises, express or implied, as to the quality, performance, or freedom from defect of the components and parts covered herein. No one is authorized to alter, modify, or enlarge this limited warranty, or its exclusions, limitations and reservations.

Corrections of defects and improper workmanship in the manner, and for the applicable time periods, provided for herein shall constitute fulfillment of all responsibilities of Buhler Industries Inc. to the purchaser, and Buhler Industries Inc. shall not be liable in negligence, contract, or on any other basis with respect to the subject equipment.

This limited warranty is subject to any existing conditions of supply which may directly affect Buhler Industries Inc.'s ability to obtain materials or manufacture replacement parts.

Buhler Industries Inc. reserves the right to make improvements in design or changes in specifications to its products at anytime, without incurring any obligation to owners of units previously sold.

Government Legislation:

Warranty terms and conditions are subject to provincial or state legislation.

Important Note: This warranty does not apply to rentals.

www.farm-king.com

Farm King

1330 43rd Street NW
Fargo, ND USA 58102
Ph.: 701.282.7014 | Fax: 701.282.5865
Toll Free: 888.524.1004
E-mail: info@buhler.com
www.farm-king.com

Equipment shown is subject to change without notice.
©2012 Buhler Trading Inc. Printed in USA. TSX:BUI

bühler | a division of Buhler Industries Inc.