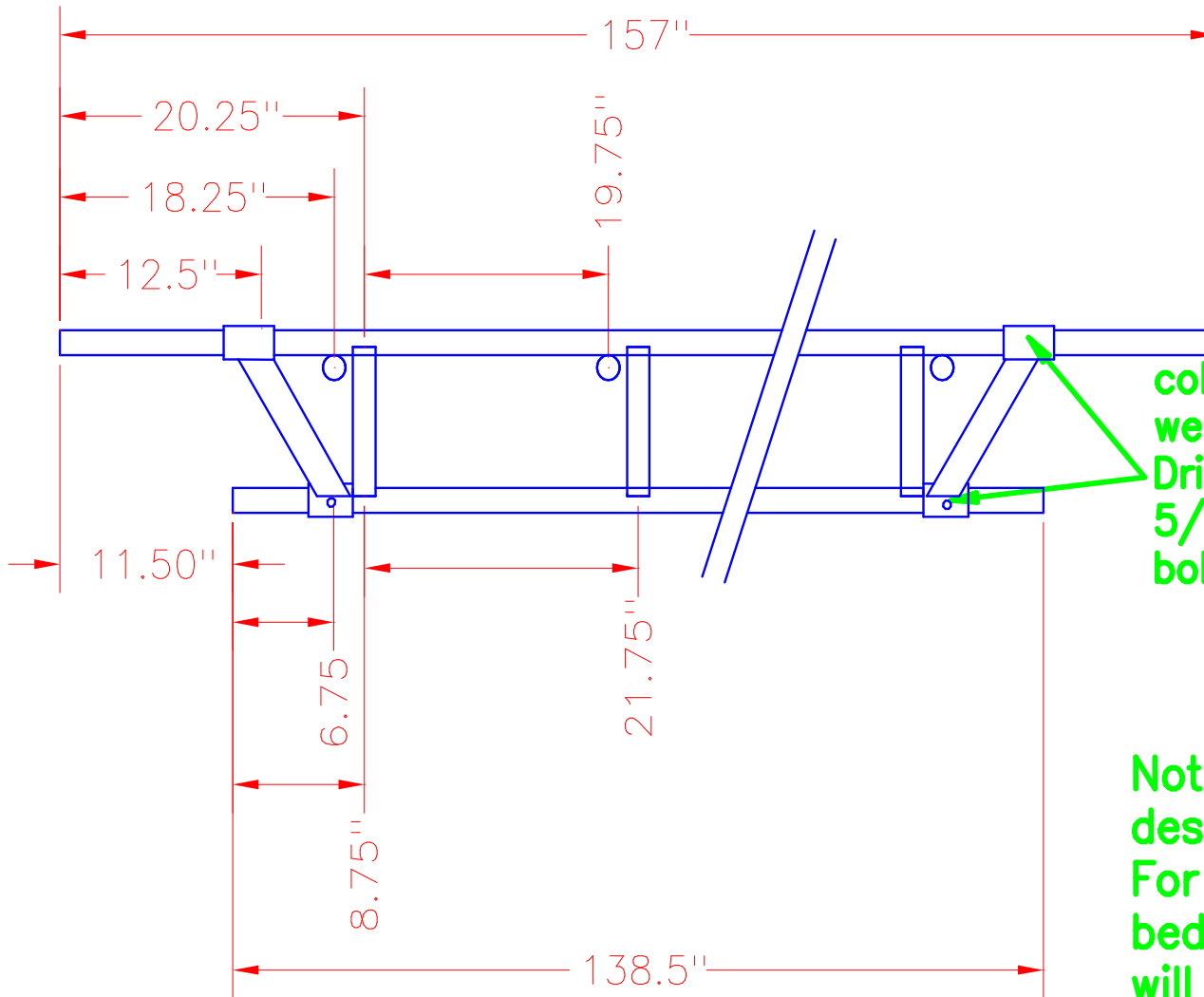


## Front View of Truss



color to which end brace  
welded to make adjustable.  
Drill  $3/8$ " hole and weld on  
 $5/16$ " nut. Insert  $5/16$ "x1"  
bolt to tighten color.

Note: This truss was  
designed for a 12' bed.  
For different sized  
beds the truss length  
will need to be modified.