

STR-DE197

SERVICE MANUAL

Ver. 1.5 2007.05

US Model
Canadian Model
AEP Model



Photo: Black type

SPECIFICATIONS

AUDIO POWER SPECIFICATIONS

POWER OUTPUT AND TOTAL HARMONIC DISTORTION:

(Models of area code US only)
With 8 ohm loads, both channels driven, from 20 – 20,000 Hz; rated 100 watts per channel minimum RMS power, with no more than 0.09 % total harmonic distortion from 250 milliwatts to rated output.

Amplifier section

POWER OUTPUT

Models of area code US, CND
Power Output at Stereo Mode
(8 ohms 1 kHz, THD 0.7 %)

125 W + 125 W¹⁾

Models of area code AEP
Power Output at Stereo Mode
(8 ohms 1 kHz, THD 0.7 %)

100 W + 100 W¹⁾

1) Measured under the following conditions:

Area code	Power requirements
US, CND	120 V AC, 60 Hz
AEP	230 V AC, 50 Hz

Frequency response

CD, MD/TAPE,	20 Hz – 50 kHz
VIDEO 1, 2	+0/-0.5 dB (with bass boost and tone bypassed)

Inputs (Analog)

CD, MD/TAPE,	Sensitivity: 500 mV
VIDEO 1, 2	Impedance: 50 kilohms
	S/N ²⁾ : 85 dB
	(A, 500 mV ³⁾)

2) INPUT SHORT (with bass boost and tone bypassed).

3) Weighted network, input level.

Outputs (Analog)

MD/TAPE (OUT),	Voltage: 500 mV
VIDEO 1 (AUDIO OUT)	Impedance: 10 kilohms

Bass Boost:	+8 dB at 70 Hz
Tone:	±10 dB at 100 Hz and 10 kHz

FM tuner section

Tuning range	87.5 – 108.0 MHz
Antenna	FM wire antenna
Antenna terminals	75 ohms, unbalanced
Intermediate frequency	10.7 MHz
Sensitivity	
Mono:	18.3 dBf, 2.2 μV/75 ohms
Stereo:	38.3 dBf, 22.5 μV/75 ohms
Usable sensitivity	11.2 dBf, 1 μV/75 ohms
S/N	
Mono:	76 dB
Stereo:	70 dB
Harmonic distortion at 1 kHz	
Mono:	0.3%
Stereo:	0.5%
Separation	45 dB at 1 kHz
Frequency response	30 Hz – 15 kHz, +0.5/-2 dB
Selectivity	60 dB at 400 kHz

– Continued on next page –

FM STEREO/FM-AM RECEIVER

9-877-864-06
2007E04-1
© 2007.05

Sony Corporation
Home Audio Division
Published by Sony Techno Create Corporation

SONY®

AM tuner section

Tuning range

Models of area code US, CND
 With 10-kHz tuning scale: 530 – 1,710 kHz ⁴⁾
 With 9-kHz tuning scale: 531 – 1,710 kHz ⁴⁾

Models of area code AEP
 With 9-kHz tuning scale: 531 – 1,602 kHz

Antenna	Loop antenna
Intermediate frequency	450 kHz
Usable sensitivity	50 dB/m (at 1,000 kHz or 999 kHz)
S/N	54 dB (at 50 mV/m)
Harmonic distortion	0.5 % (50 mV/m, 400 Hz)
Selectivity	
At 9 kHz:	35 dB
At 10 kHz:	40 dB

- 4) You can change the AM tuning scale to 9 kHz or 10 kHz. After tuning in any AM station, turn off the receiver. Hold down PRESET TUNING + and press I/C. All preset stations will be erased when you change the tuning scale. To reset the scale to 10 kHz (or 9 kHz), repeat the procedure.

General

Power requirements

Area code	Power consumption
US, CND	120 V AC, 60 Hz
AEP	230 V AC, 50/60 Hz

Power consumption

Area code	Power consumption
US	190 W
CND	270 VA
AEP	210 W

Power consumption (during standby mode)
 0.5 W

AC outlets

Area code	AC outlets
US, CND	1 switched, 120 W/1A MAX
AEP	1 switched, 100 W MAX

Dimensions 430 × 132.5 × 302 mm
 (17 × 5 1/4 × 11 7/8 inches)
 including projecting parts
 and controls

Mass (Approx.) 7.0 kg (15 lb 7 oz)

Supplied accessories

- FM wire antenna (1)
- AM loop antenna (1)
- Remote commander RM-U185 (1)
- R6 (size-AA) batteries (2)

Design and specifications are subject to change without notice.

- Abbreviation
- CND: Canadian model

SAFETY CHECK-OUT

After correcting the original service problem, perform the following safety check before releasing the set to the customer:

Check the antenna terminals, metal trim, “metallized” knobs, screws, and all other exposed metal parts for AC leakage. Check leakage as described below.

LEAKAGE TEST

The AC leakage from any exposed metal part to earth ground and from all exposed metal parts to any exposed metal part having a return to chassis, must not exceed 0.5 mA (500 microamperes). Leakage current can be measured by any one of three methods.

1. A commercial leakage tester, such as the Simpson 229 or RCA WT-540A. Follow the manufacturers’ instructions to use these instruments.
2. A battery-operated AC milliammeter. The Data Precision 245 digital multimeter is suitable for this job.
3. Measuring the voltage drop across a resistor by means of a VOM or battery-operated AC voltmeter. The “limit” indication is 0.75 V, so analog meters must have an accurate low-voltage scale. The Simpson 250 and Sanwa SH-63Trd are examples of a passive VOM that is suitable. Nearly all battery operated digital multimeters that have a 2V AC range are suitable. (See Fig. A)

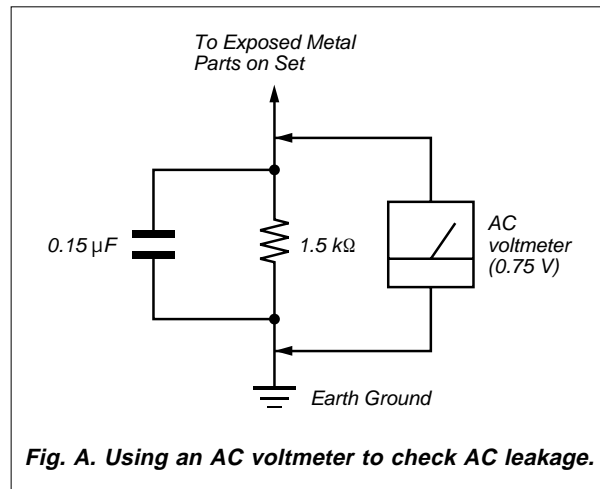


Fig. A. Using an AC voltmeter to check AC leakage.

SAFETY-RELATED COMPONENT WARNING!!

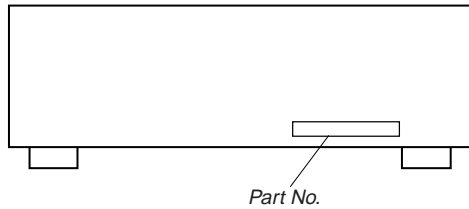
COMPONENTS IDENTIFIED BY MARK \triangle OR DOTTED LINE WITH MARK \triangle ON THE SCHEMATIC DIAGRAMS AND IN THE PARTS LIST ARE CRITICAL TO SAFE OPERATION. REPLACE THESE COMPONENTS WITH SONY PARTS WHOSE PART NUMBERS APPEAR AS SHOWN IN THIS MANUAL OR IN SUPPLEMENTS PUBLISHED BY SONY.

ATTENTION AU COMPOSANT AYANT RAPPORT À LA SÉCURITÉ!!

LES COMPOSANTS IDENTIFIÉS PAR UNE MARQUE \triangle SUR LES DIAGRAMMES SCHÉMATIQUES ET LA LISTE DES PIÈCES SONT CRITIQUES POUR LA SÉCURITÉ DE FONCTIONNEMENT. NE REMPLACER CES COMPOSANTS QUE PAR DES PIÈCES SONY DONT LES NUMÉROS SONT DONNÉS DANS CE MANUEL OU DANS LES SUPPLÉMENTS PUBLIÉS PAR SONY.

MODEL IDENTIFICATION

— BACK PANEL —



MODEL	PART No.
US	4-253-299-0□
AEP	4-253-299-1□
CND	4-253-299-3□

- Abbreviation
CND: Canadian model

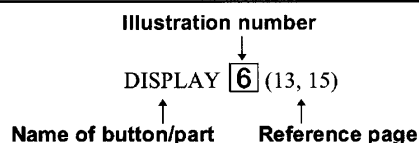
TABLE OF CONTENTS

1. GENERAL	
Main unit	4
Remote button description	6
2. DISASSEMBLY	
2-1. Case	7
2-2. Front Panel Section	8
2-3. Back Panel	8
2-4. Main Board	9
3. TEST MODE	10
4. DIAGRAMS	
4-1. IC Pin Description	11
4-2. Circuit Boards Location	13
4-3. Block Diagram – Main Section –	15
4-4. Block Diagram – Power Section –	16
4-5. Printed Wiring Boards – Main Section –	17
4-6. Schematic Diagram – Main Section (1/2) –	18
4-7. Schematic Diagram – Main Section (2/2) –	19
4-8. Printed Wiring Boards – Panel Section –	20
4-9. Schematic Diagram – Panel Section –	21
4-10. IC Block Diagrams	22
5. EXPLODED VIEWS	
5-1. Case Section	23
5-2. Front Panel Section	24
5-3. Chassis Section	25
6. ELECTRICAL PARTS LIST	26

List of button locations and reference pages

How to use page 28 and 29

Use this page to find the location of buttons that are mentioned in the text.



Main unit

ALPHABETICAL ORDER

A - L

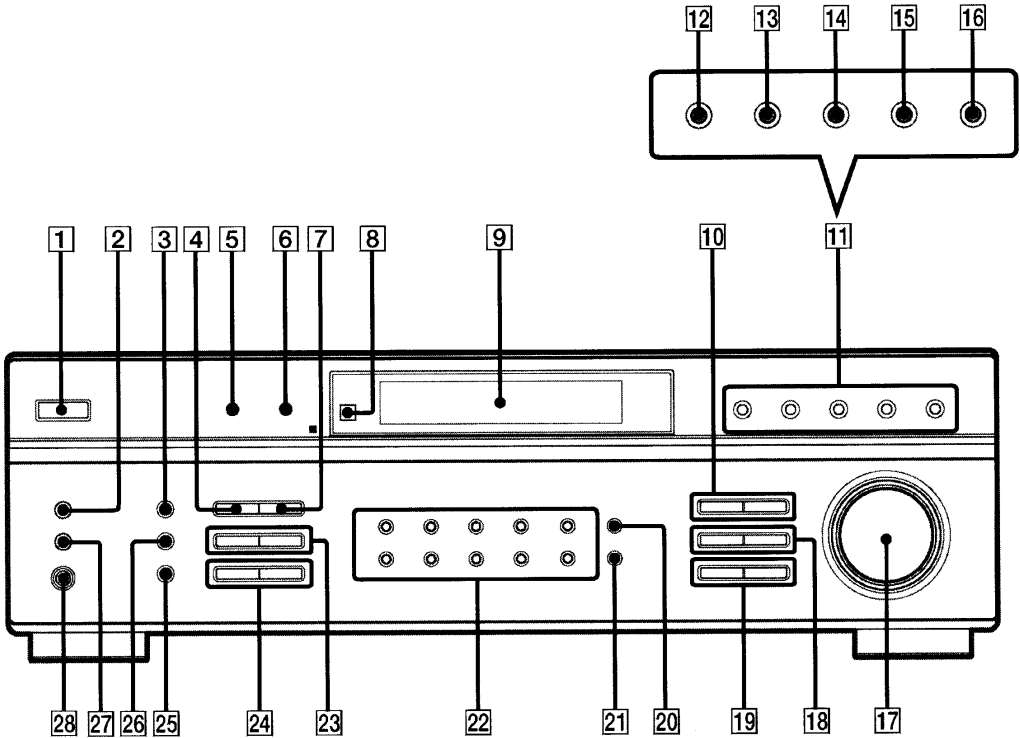
AM **7** (10, 11)
BALANCE L/R **10** (15)
BASS -/+ **19** (15)
BASS BOOST (button/indicator)
5 (15)
CD **15** (6, 10)
DIRECT **21** (11)
DISPLAY **6** (13, 15)
Display **9** (13, 15)
FM **4** (10, 11)
FM MODE **3** (10)
Input buttons **11** (6, 10, 16)
IR (receptor) **8** (19, 25)

M - Z

MASTER VOLUME -/+ **17** (9, 10, 24)
MD/TAPE **14** (6, 10)
MEMORY/ENTER **25** (11, 12, 16)
NAME **26** (16)
Numeric buttons **22** (11, 12)
PHONES (jack) **28** (10, 24)
PRESET TUNING -/+ **23** (12, 26)
SHIFT **20** (12)
SPEAKER A (button/indicator)
2 (8, 10, 17, 24)
SPEAKER B (button/indicator)
27 (8, 10, 17, 24)
TREBLE -/+ **18** (15)
TUNER **16** (6, 10, 11, 12, 16)
TUNING/CHAR -/+ **24** (10, 16)
VIDEO 1 **12** (10)
VIDEO 2 **13** (6, 10)

NUMBERS AND SYMBOLS

I/⏻ (power) **1** (9, 11, 26)




Additional Information

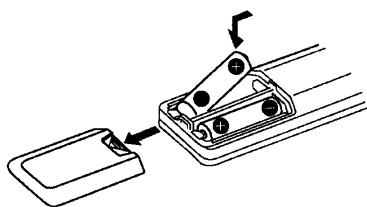
Operations Using the Remote RM-U185

You can use the remote RM-U185 to operate the components in your system.

Before you use your remote

Inserting batteries into the remote

Insert R6 (size-AA) batteries with the + and - properly oriented in the battery compartment. When using the remote, point it at the remote sensor  on the receiver.



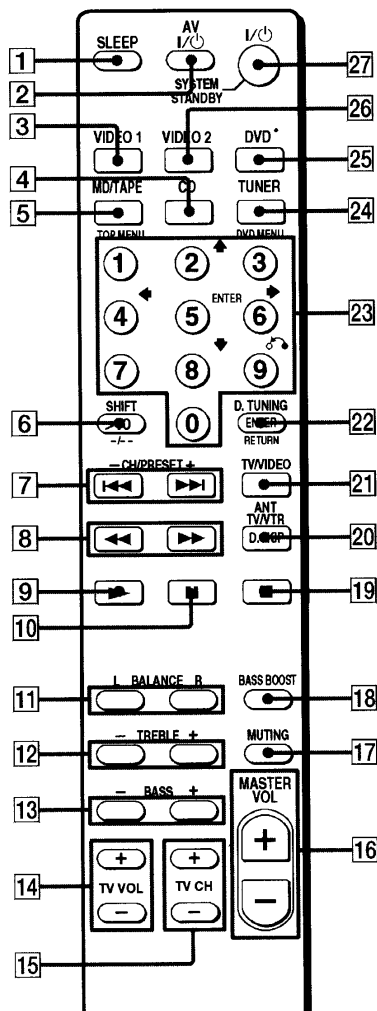
Tip

Under normal conditions, the batteries should last for about 6 months. When the remote no longer operates the receiver, replace all batteries with new ones.

Notes


- Do not leave the remote in an extremely hot or humid place.
- Do not use a new battery with an old one.
- Do not expose the remote sensor to direct sunlight or lighting apparatuses. Doing so may cause a malfunction.
- If you don't use the remote for an extended period of time, remove the batteries to avoid possible damage from battery leakage and corrosion.

Remote button description



Operations Using the Remote RM-U185

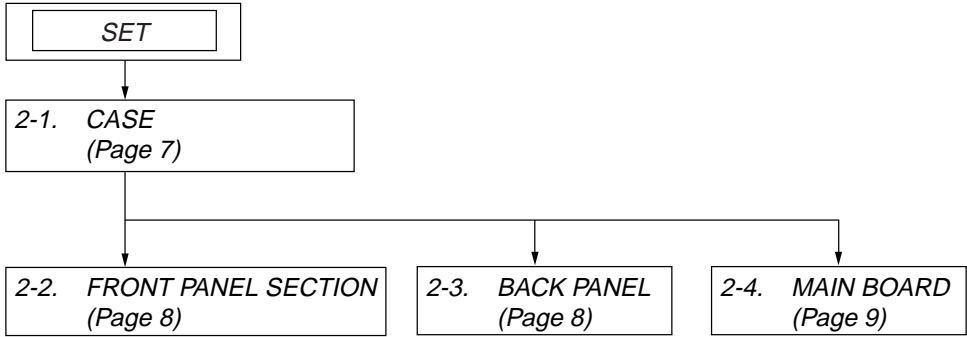
The tables below show the settings of each button.

Remote Button	Operations	Function
ANT TV/VTR 	VCR	Selects output signal from the antenna terminal: TV signal or VCR program.

continued

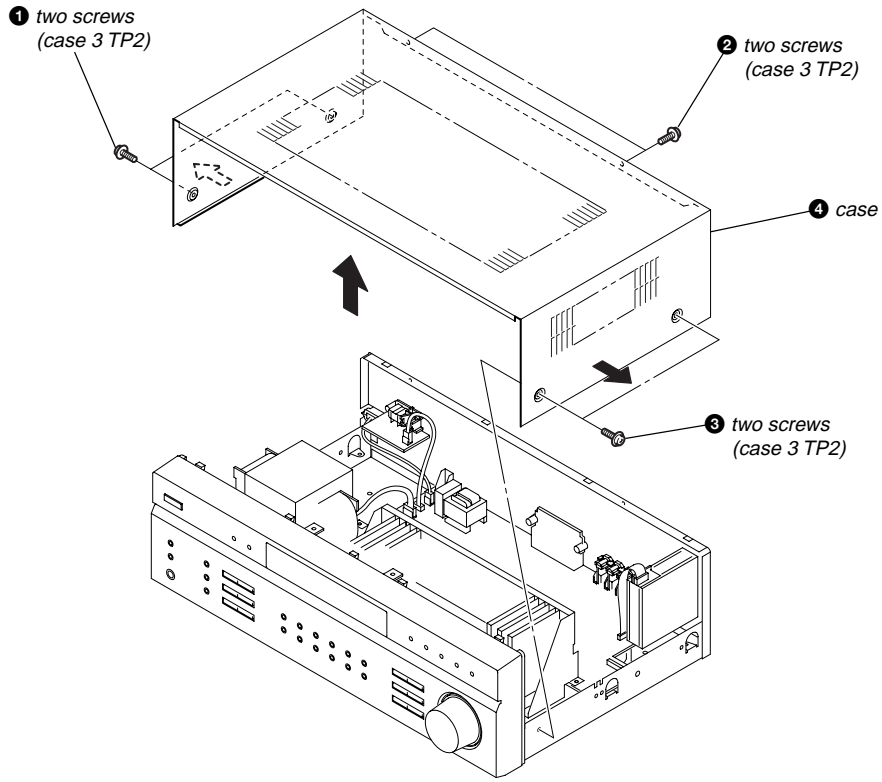
SECTION 2 DISASSEMBLY

Note : This set can be disassemble according to the following sequence.

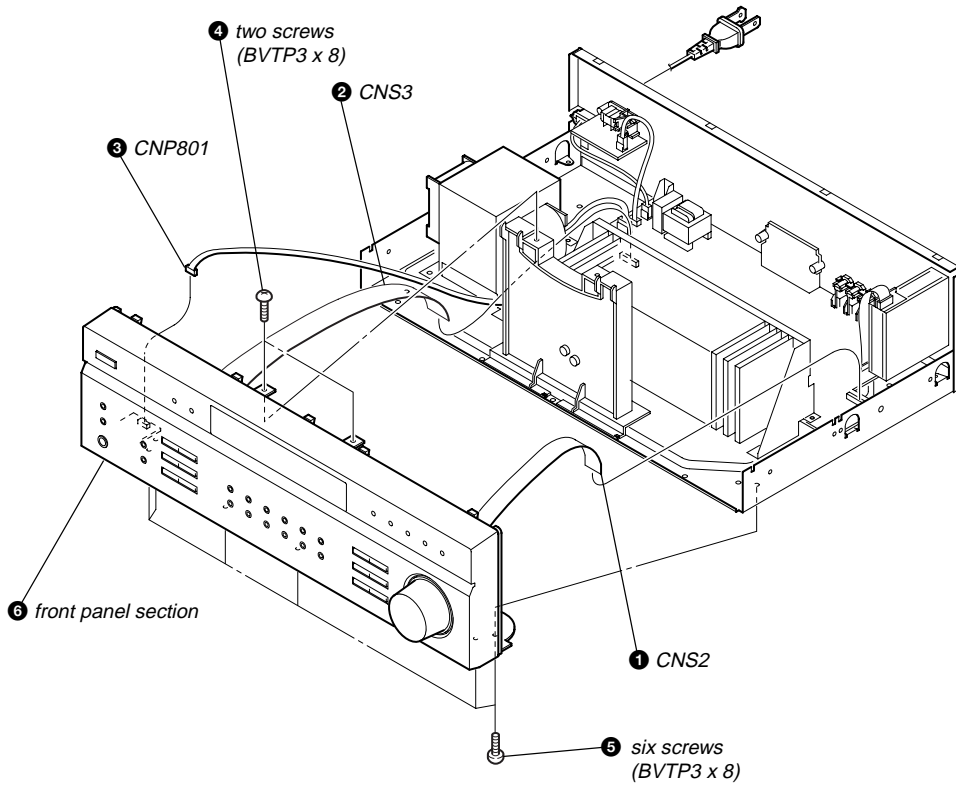


Note : Follow the disassembly procedure in the numerical order given.

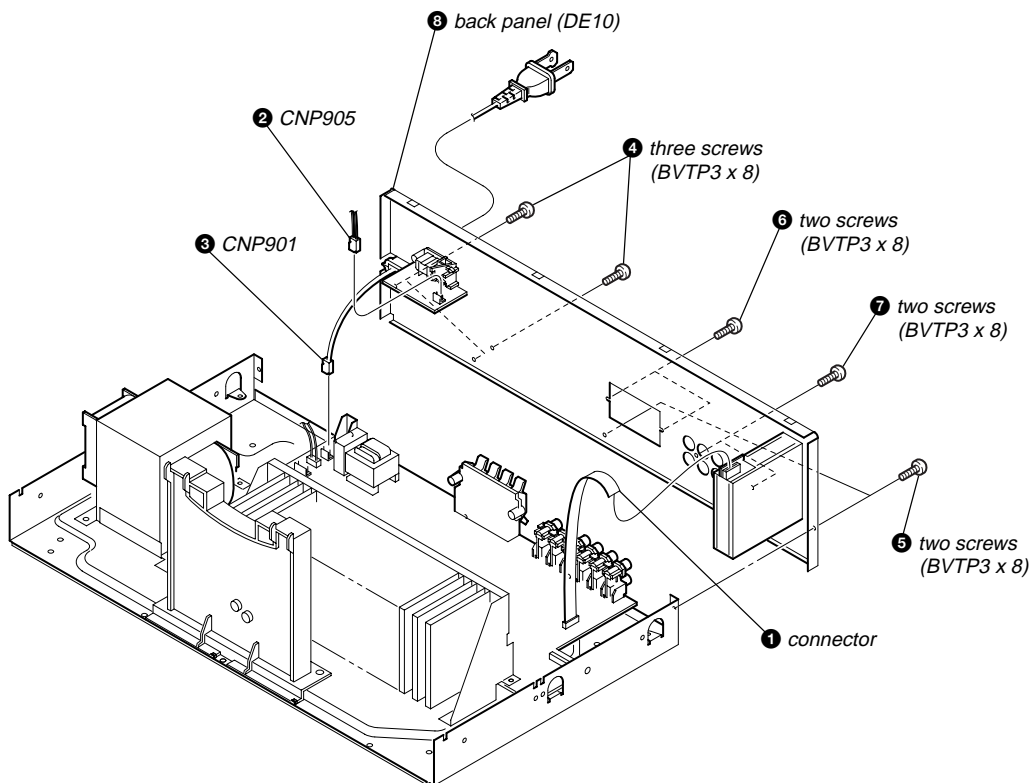
2-1. CASE



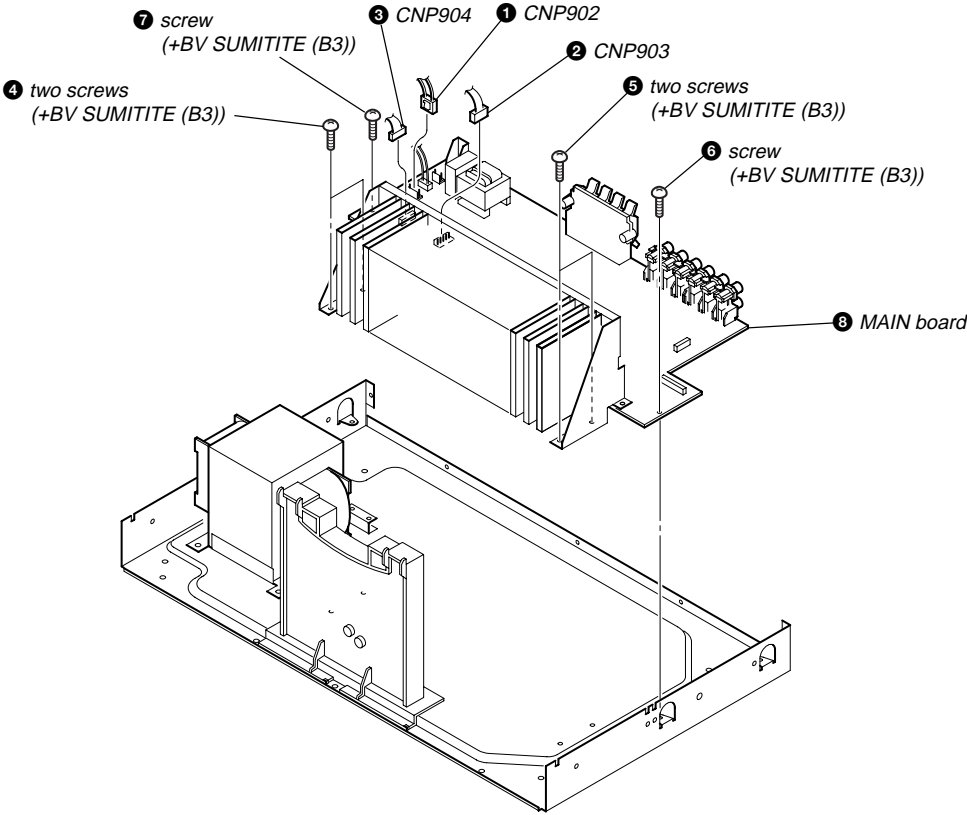
2-2. FRONT PANEL SECTION



2-3. BACK PANEL



2-4. MAIN BOARD



Fluorescent Indicator Tube Test Mode

All fluorescent segments are tested. When this test is activated, all segments turn on at the same time, then each segment turns on one after another.

Procedure:

1. While depressing the **VIDEO 1**, **VIDEO 2**, **MD/TAPE**, **CD** and the **TUNER** buttons simultaneously, press the **I/⏻** button to turn on the main power.
2. The FL tube will illuminate in half light on. The following display will be repeated whenever the five function buttons are pressed.
 - Operation of function buttons
all light on → half light on 1 → half light on 2 → all light off
3. Press any button other than the function buttons to release the check mode.

AUTO-BETICAL Check Mode (AEP model)

To auto-scanning and memories of RDS station.

Procedure:

1. While depressing the **MEMORY/ENTER** button, press the **I/⏻** button to turn on the main power.
2. The message "AUTO-BETICAL SELECT" are scrolled for a moment and the receiver starts scanning.

AM Tuning Interval Selection Mode (US, Canadian model)

Either 9 kHz step or 10 kHz step can be selected for the AM tuning interval.

Procedure:

1. While depressing the **PRESET TUNING +** button or the **TUNING/CHAR +** button, press the **I/⏻** button to turn on the main power.
2. Either the message "9k STEP" or "10k STEP" appears for a moment and select the desired step.

Software Version Display Mode

The software version is displayed.

Procedure:

1. While depressing the **SPEAKER B** and the **VIDEO 1** buttons simultaneously, press the **I/⏻** button to turn on the main power.
2. The destination and the software version are displayed for a moment.

ex.) US, Canadian model : U : *.*.*
 AEP model : CE : *.*.*

↑ Software version Area

SECTION 4 DIAGRAMS

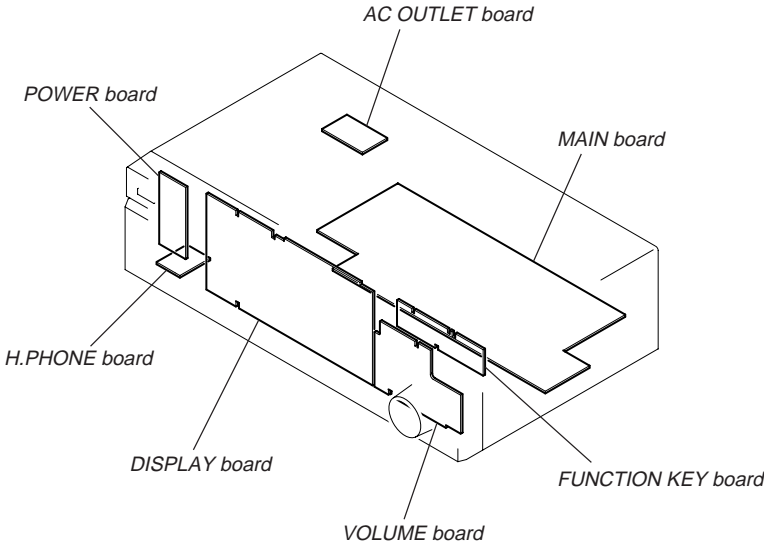
4-1. IC PIN DESCRIPTION

• IC201 μ PD78045FGF-134-3B9 (SYSTEM CONTROLLER, FL DISPLAY DRIVER)

Pin No.	Pin Name	I/O	Pin Description
1 to 7	DIG7 to DIG1	O	Digit drive signal output to the vacuum fluorescent display (FL201).
8	+5V	—	Power supply pin (+5 V)
9	CL	O	Serial clock signal output to FM/AM tuner pack.
10	DO	O	Serial data signal output to FM/AM tuner pack.
11	DI	I	Serial data signal input from FM/AM tuner pack.
12	CE	O	Serial chip enable signal output to FM/AM tuner pack.
13	VOL DATA	O	Serial data signal output to sound control IC.
14	VOL CL	O	Serial clock signal output to sound control IC.
15	RDS DATA	I	RDS data signal input from FM/AM tuner pack. (AEP model only)
16	PROTECTOR	I	Overload detection signal input
17	RESET	I	Reset signal input
18	TUNED	I	TUNED indicator detection signal input from FM/AM tuner pack.
19	STEREO	I	STEREO indicator detection signal input from FM/AM tuner pack.
20	AVSS	—	Analog ground
21	VERSION	I	Destination select signal input (Fixed at H: US, Canadian model, L: AEP model)
22	FM SIGNAL OUT	I	FM/AM signal meter voltage detection signal input from FM/AM tuner pack. (AEP model only)
23 to 28	AD6 to AD1	I	Function keys signal input
29	AVDD	—	A/D converter power supply pin (+5 V)
30	AV.REF	—	A/D converter reference voltage input (+5 V)
31	—	—	Not used. (Connect to AV.REF pin in this set)
32	OPEN	—	Not used. (Open)
33	GND	—	Ground
34	X1	I	Master clock input (4.19 MHz)
35	X2	O	Master clock output (4.19 MHz)
36	REC SW1	O	VIDEO 1 ON/OFF signal output
37	REC SW2	O	MD/TAPE ON/OFF signal output
38, 39	VOL A, VOL B	I	Master volume JOG data input A, B
40	FUNC.MUTE	O	Not used. (Fixed at L in this set)
41	CK	O	Serial clock signal output to electronic volume IC.
42	DATA	O	Serial data signal output to electronic volume IC.
43	STB	O	Serial data strobe signal output to electronic volume IC.
44	SYS.POWER	I	System power signal input
45	AC MUTE	O	A-Class mute signal output
46	RDS INT	I	RDS clock signal input from FM/AM tuner pack. (AEP model only)
47	STOP	I	Stop signal input from reset/+5.6V regulator IC.
48	VSS	—	Ground
49	SIRCS	I	Sircs signal input from remote control receiver IC.
50	TUNER MUTE	O	Muting control signal output to FM/AM tuner pack.
51	—	—	Not used. (Open)
52	+5V	—	Power supply pin (+5 V)
53	BASS B. LED	O	BASS BOOST LED drive signal output
54	SPK A LED	O	SPEAKER A LED drive signal output
55	SPK B LED	O	SPEAKER B LED drive signal output



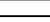
Pin No.	Pin Name	I/O	Pin Description
56	RY R1 COIL	O	Power relay (12V) drive signal output
57	RY POWER	O	AC power relay (9V) drive signal output
58	RY A	O	Speaker A relay (12V) drive signal output
59	RY B	O	Speaker B relay (12V) drive signal output
60	RY HP	O	Phones relay (12V) drive signal output
61	—	—	Not used. (Open)
62 to 70	S15 to S7	O	Segment drive signal output to the vacuum fluorescent display (FL201).
71	VLOAD	—	Power supply pin (-24 V)
72 to 77	S6 to S1	O	Segment drive signal output to the vacuum fluorescent display (FL201).
78 to 80	DIG10 to DIG8	O	Digit drive signal output to the vacuum fluorescent display (FL201).

4-2. CIRCUIT BOARDS LOCATION








THIS NOTE IS COMMON FOR PRINTED WIRING BOARDS AND SCHEMATIC DIAGRAMS.
 (In addition to this, the necessary note is printed in each block.)

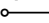

for schematic diagram:

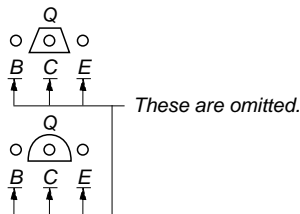
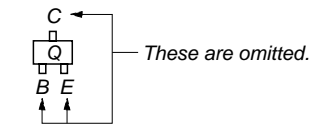
- All capacitors are in μF unless otherwise noted. (p: pF) 50 WV or less are not indicated except for electrolytics and tantalums.
- All resistors are in Ω and $1/4\text{ W}$ or less unless otherwise specified.
- \triangle : internal component.
-  : nonflammable resistor.
-  : fusible resistor.
-  : panel designation.

<p>Note: The components identified by mark \triangle or dotted line with mark \triangle are critical for safety. Replace only with part number specified.</p>	<p>Note: Les composants identifiés par une marque \triangle sont critiques pour la sécurité. Ne les remplacer que par une pièce portant le numéro spécifié.</p>
--	---

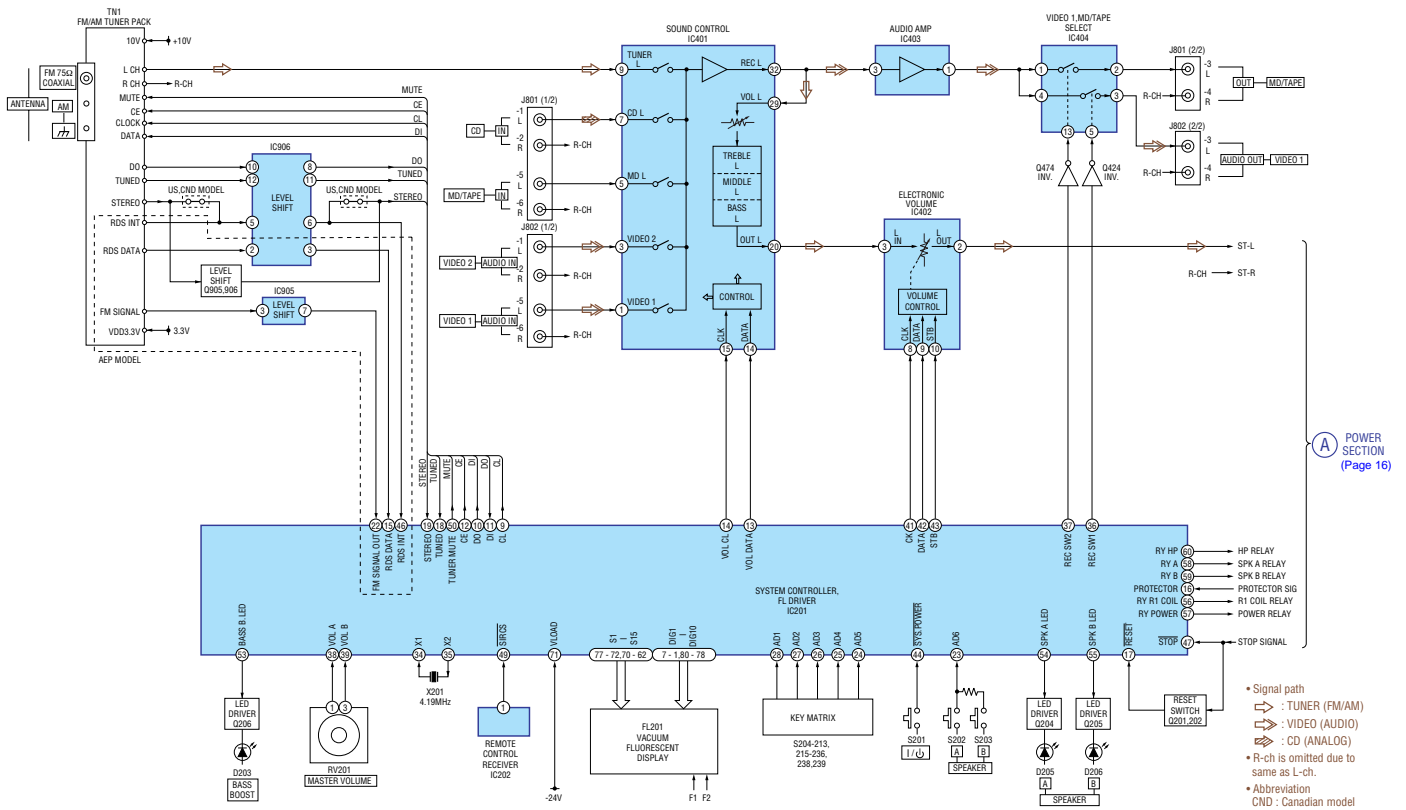
-  : B+ Line.
-  : B- Line.
- Voltage and waveforms are dc with respect to ground under no-signal (detuned) conditions.
 no mark : FM
- Voltages are taken with a VOM (Input impedance $10\text{ M}\Omega$).
 Voltage variations may be noted due to normal production tolerances.
- Waveforms are taken with an oscilloscope.
 Voltage variations may be noted due to normal production tolerances.
- Circled numbers refer to waveforms.
- Signal path.
-  : TUNER (FM/AM)
-  : VIDEO (AUDIO)
-  : CD (ANALOG)
- Abbreviation
 CND : Canadian model.

for printed wiring boards:

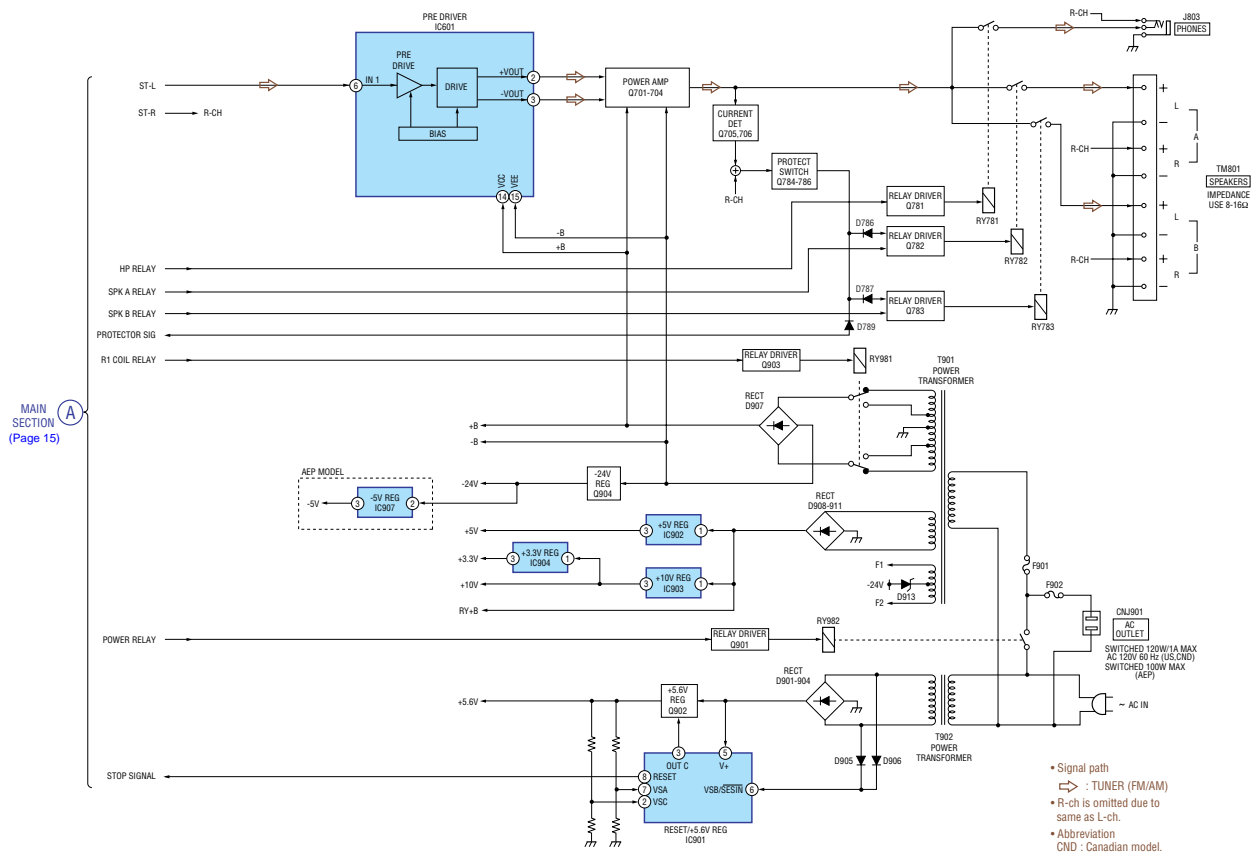
-  : parts extracted from the component side.
- \triangle : internal component.
-  : Pattern from the side which enables seeing.
- Abbreviation
 CND : Canadian model.



4-3. BLOCK DIAGRAM — MAIN SECTION —

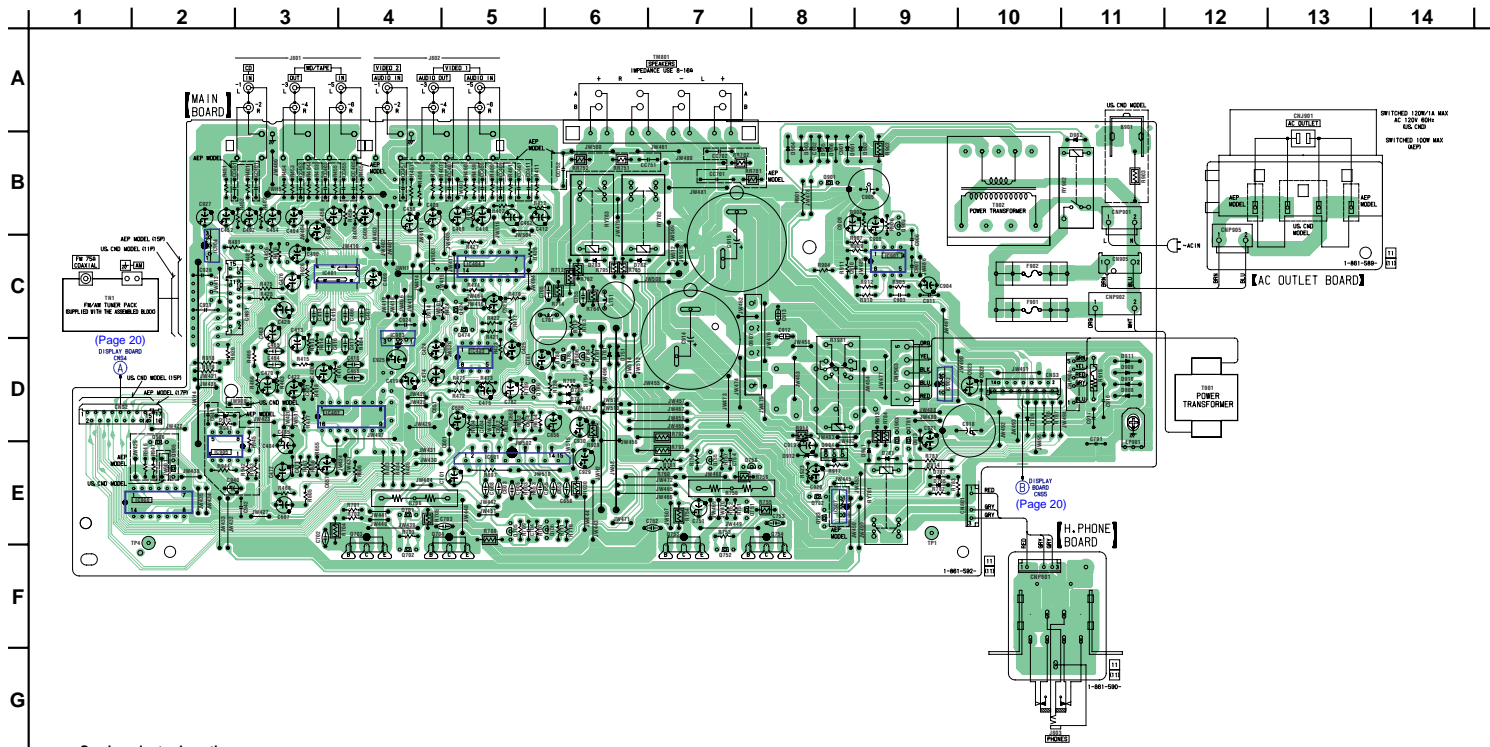


4-4. BLOCK DIAGRAM — POWER SECTION —



MAIN SECTION (Page 15)

4-5. PRINTED WIRING BOARDS — MAIN SECTION — • Refer to page 13 for Circuit Boards Location and page 14 for Common Note on Printed Wiring Boards.

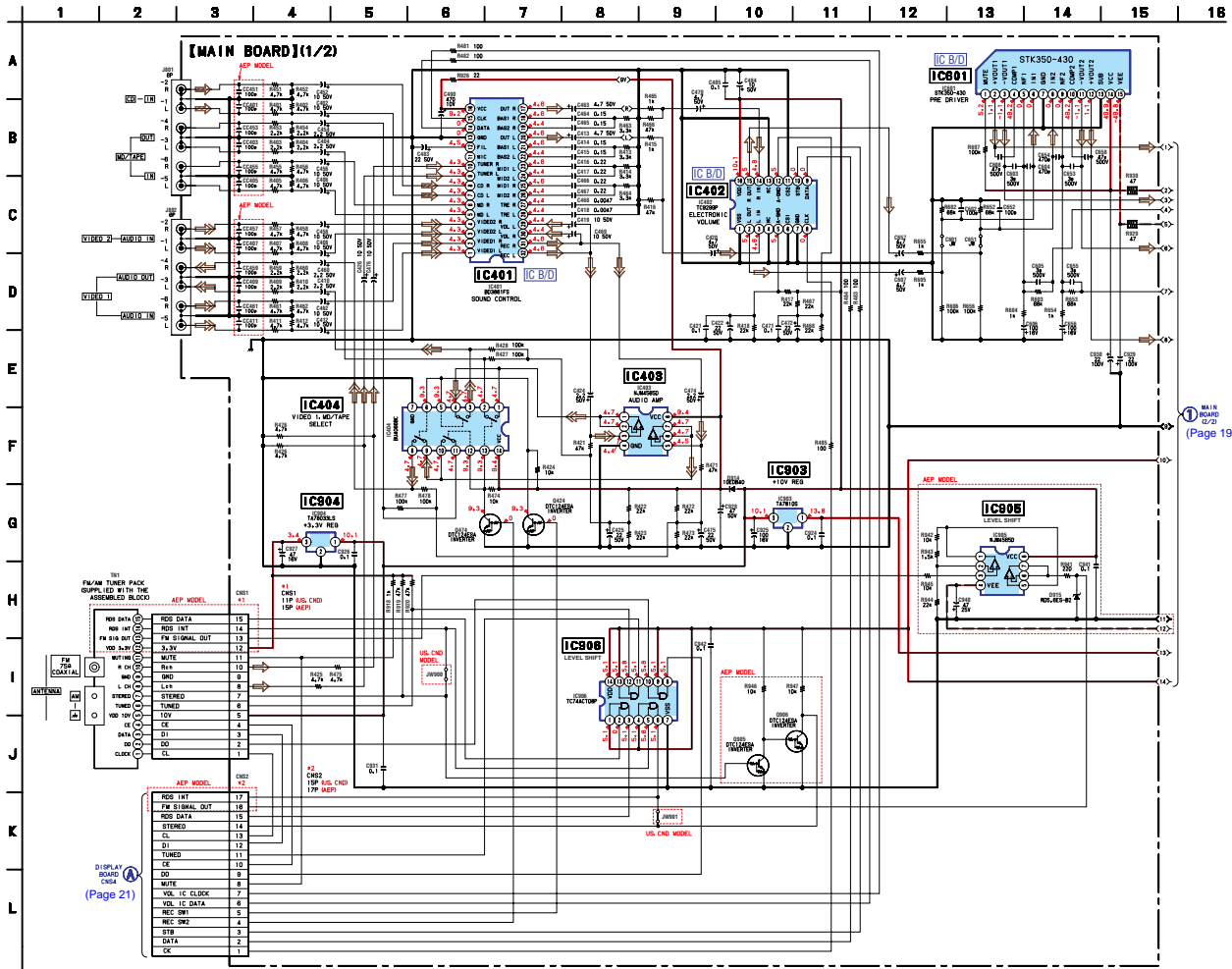


• Semiconductor Location

Ref. No.	Location	Ref. No.	Location	Ref. No.	Location	Ref. No.	Location
D701	D-6	D907	D-7	IC901	C-9	Q752	E-7
D751	D-6	D908	D-11	IC902	D-9	Q753	E-7
D781	E-9	D909	D-11	IC903	C-4	Q754	E-8
D782	C-6	D910	D-11	IC904	C-2	Q755	E-7
D783	C-6	D911	D-11	(IC905)	E-2	Q756	E-7
D784	D-6	D912	E-8	IC906	E-2	Q781	D-9
D785	D-6	D913	D-9	(IC907)	E-8	Q782	E-8
D786	E-9	D914	C-4			Q783	E-8
D787	E-9	(D915)	D-2	Q424	C-5	Q784	D-6
D788	D-6	D981	E-9	Q474	C-5	Q785	D-6
D789	D-10	D982	B-11	Q701	E-4	Q786	D-5
D901	B-8			Q702	F-4	Q901	B-8
D902	B-9	IC401	C-3	Q703	E-4	Q902	B-9
D903	D-9	IC402	D-3	Q704	E-4	Q903	D-9
D904	B-8	IC403	D-5	Q705	E-5	Q904	E-8
D905	B-8	IC404	C-5	Q706	E-6	(Q905)	E-2
D906	B-8	IC601	E-5	Q751	E-7	(Q906)	D-2

() : AEP model only

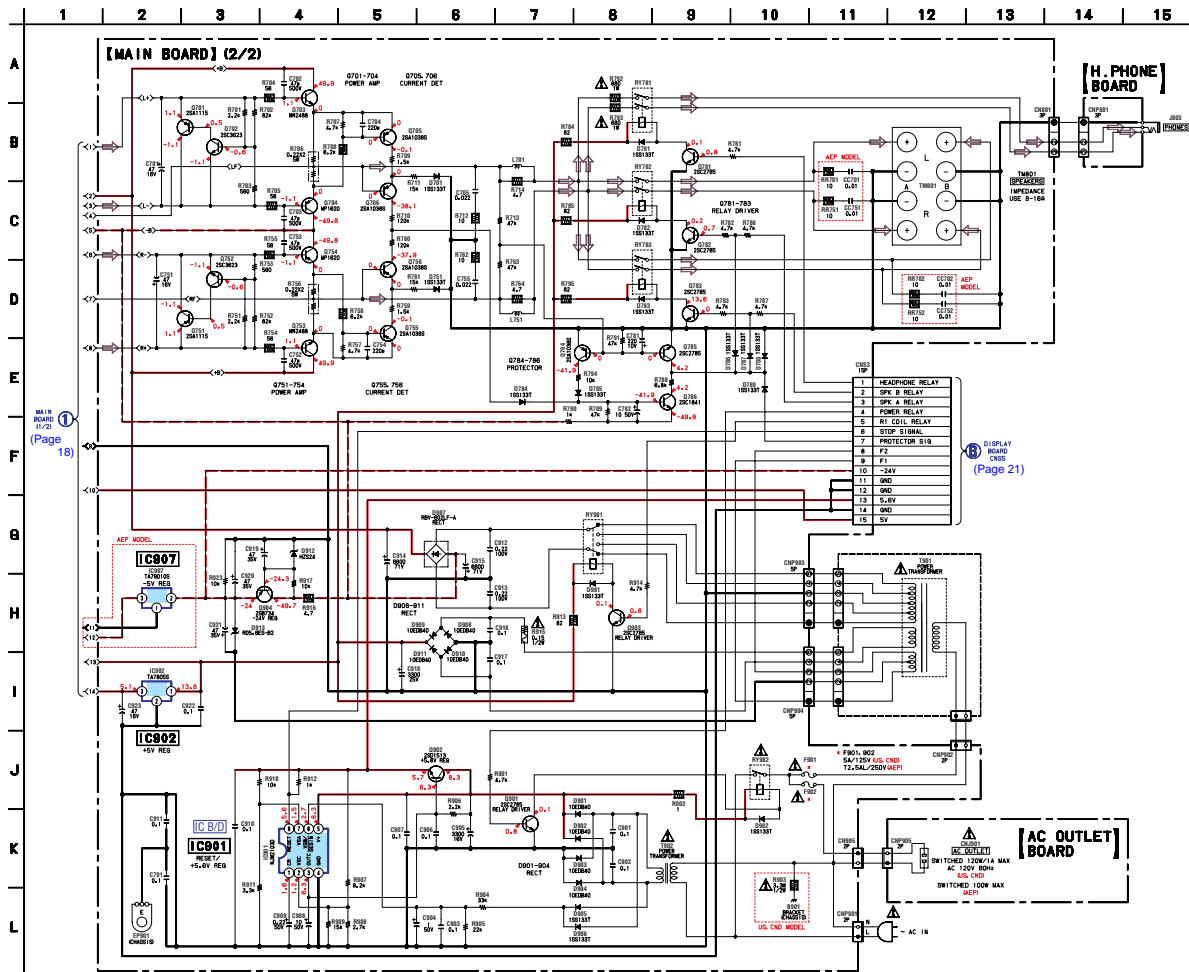
4-6. SCHEMATIC DIAGRAM — MAIN SECTION (1/2) — • Refer to page 14 for Common Note on Schematic Diagram and page 22 for IC Block Diagrams.



MAIN BOARD (1/2) (Page 19)

DISPLAY BOARD (Page 21)

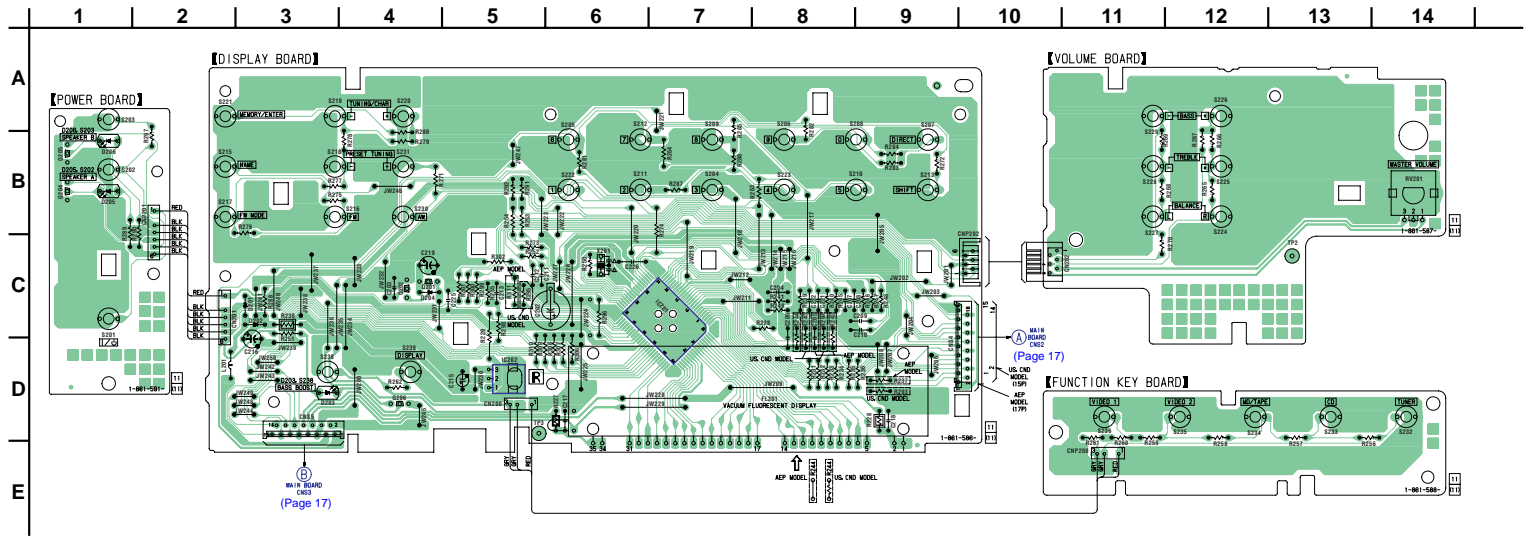
4-7. SCHEMATIC DIAGRAM — MAIN SECTION (2/2) — • Refer to page 14 for Common Note on Schematic Diagram and page 22 for IC Block Diagrams.



The components identified by mark Δ or dotted line with mark Δ are critical for safety. Replace only with part number specified.

Les composants identifiés par une marque Δ sont critiques pour la sécurité. Ne les remplacer que par une pièce portant le numéro spécifié.

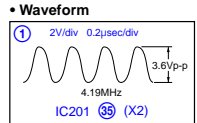
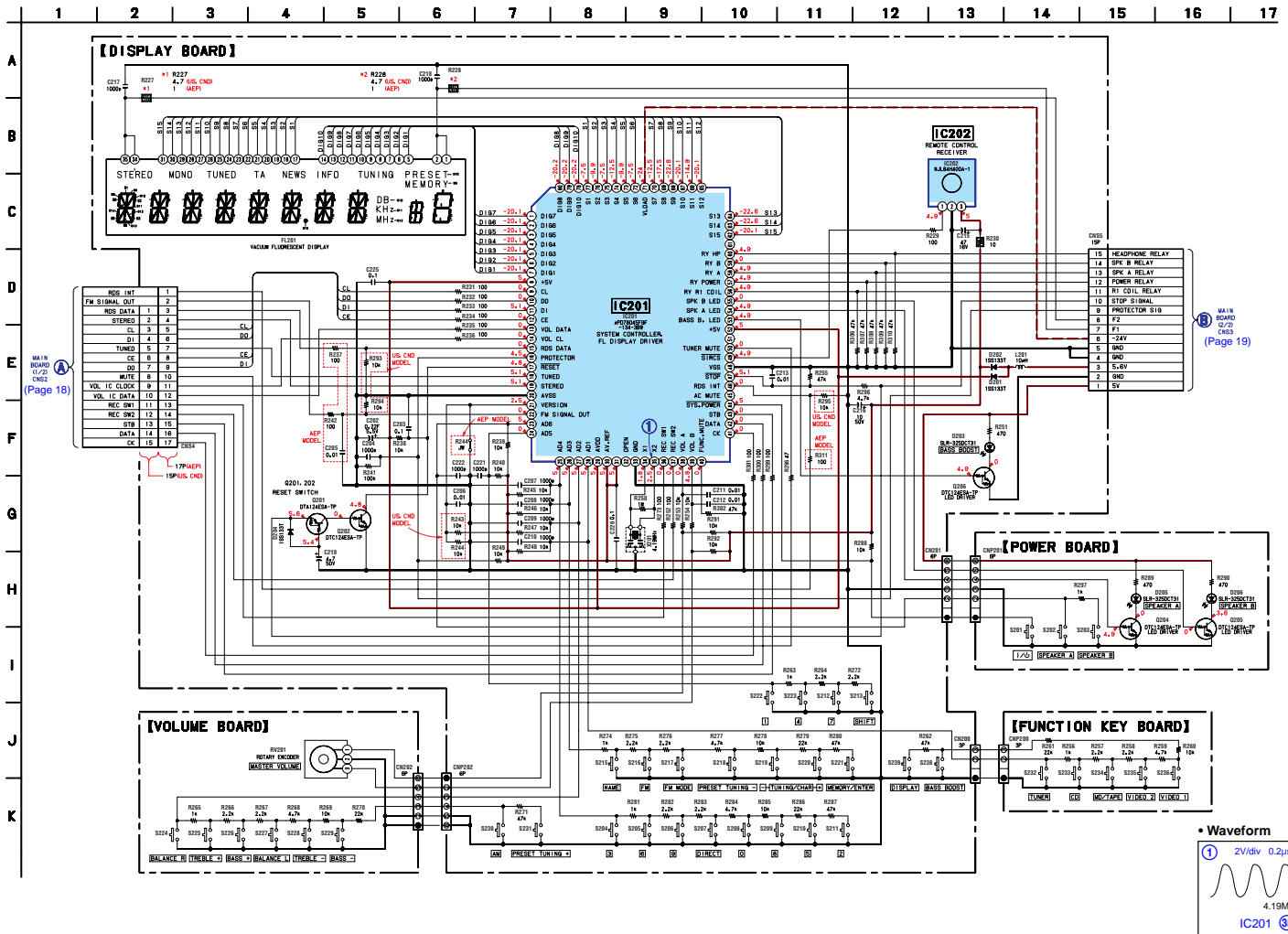
4-8. PRINTED WIRING BOARDS — PANEL SECTION — • Refer to page 13 for Circuit Boards Location and page 14 for Common Note on Printed Wiring Boards.



• Semiconductor Location

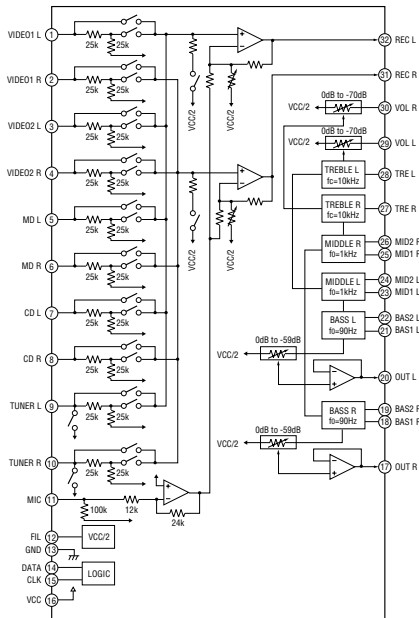
Ref. No.	Location
D201	C-3
D202	C-3
D203	D-3
D204	C-4
D205	B-1
D206	B-1
IC201	C-7
IC202	D-5
Q201	C-4
Q202	C-4
Q204	B-1
Q205	B-1
Q206	D-4

4-9. SCHEMATIC DIAGRAM — PANEL SECTION — • Refer to page 14 for Common Note on Schematic Diagram.

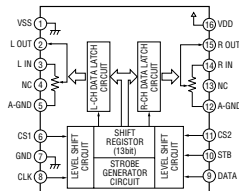


4-10. IC BLOCK DIAGRAMS

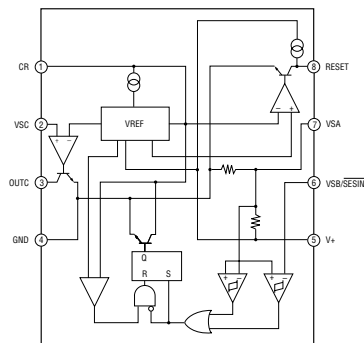
IC401 BD3861FS (MAIN BOARD (1/2))



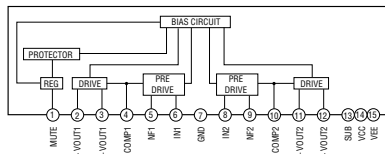
IC402 TC9299P (MAIN BOARD (1/2))



IC901 NJM2103D (MAIN BOARD (2/2))



IC601 STK350-430 (MAIN BOARD (1/2))



SECTION 5 EXPLODED VIEWS

NOTE:

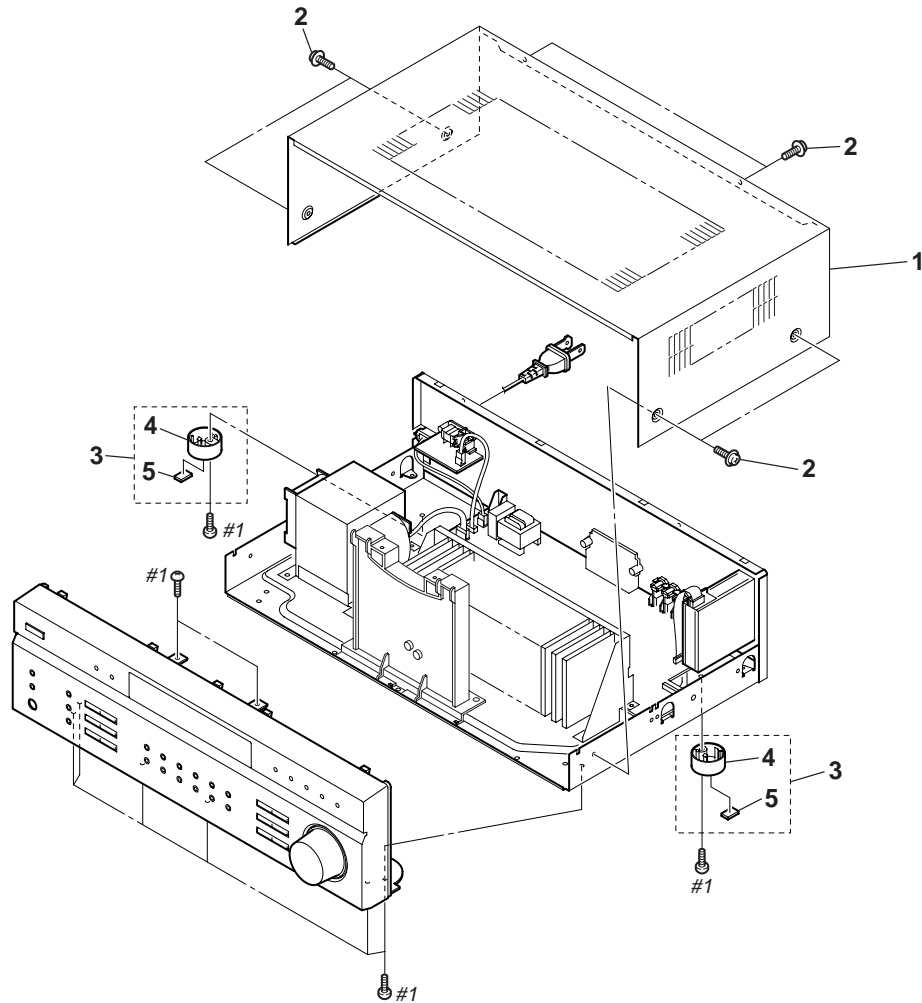
- The mechanical parts with no reference number in the exploded views are not supplied.
- Items marked “*” are not stocked since they are seldom required for routine service. Some delay should be anticipated when ordering these items.
- -XX and -X mean standardized parts, so they may have some difference from the original one.

- Color Indication of Appearance Parts
Example :
 KNOB, BALANCE (WHITE) ... (RED)
 ↑ ↑
 Parts Color Cabinet's Color
- Accessories are given in the last of this parts list.
- Abbreviation
 CND : Canadian model

The components identified by mark \triangle or dotted line with mark \triangle are critical for safety. Replace only with part number specified.

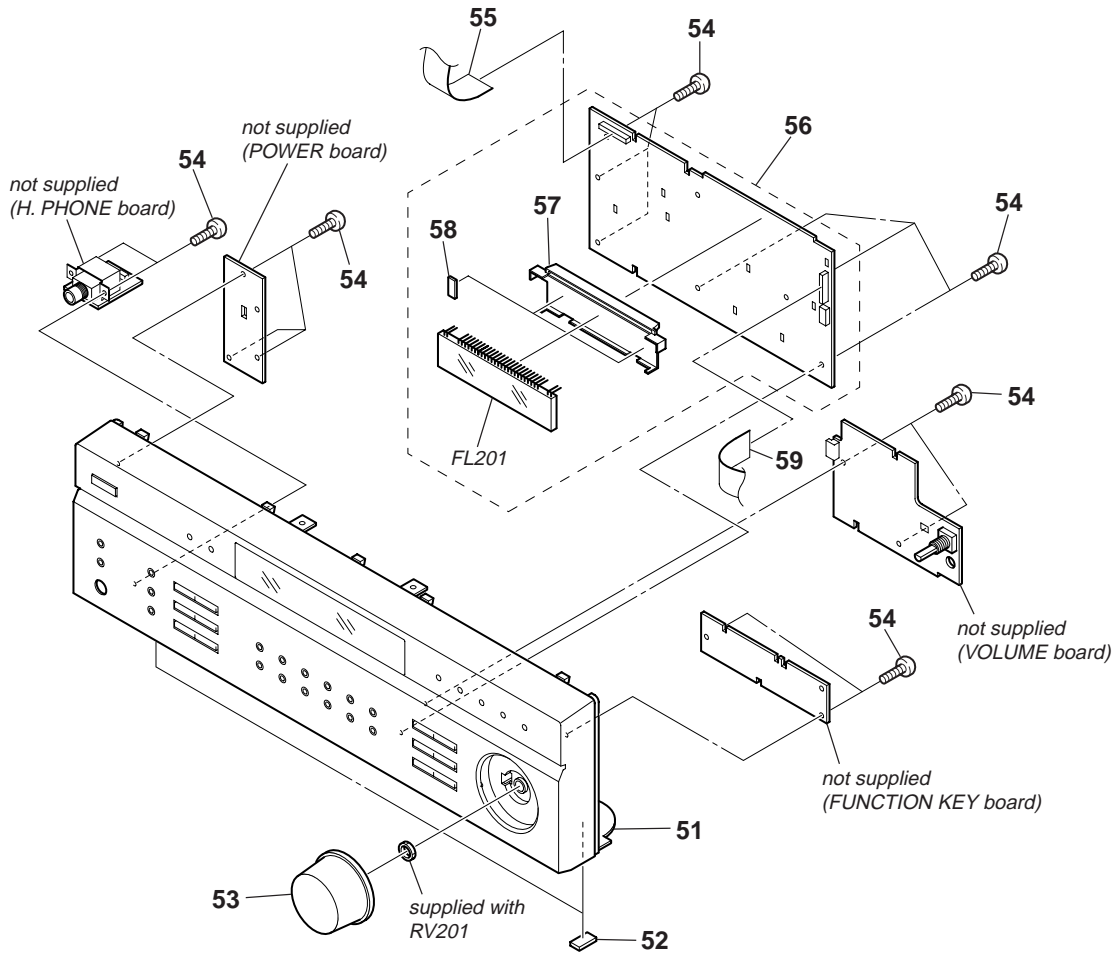
Les composants identifiés par une marque \triangle sont critiques pour la sécurité. Ne les remplacer que par une pièce portant le numéro spécifié.

5-1. CASE SECTION



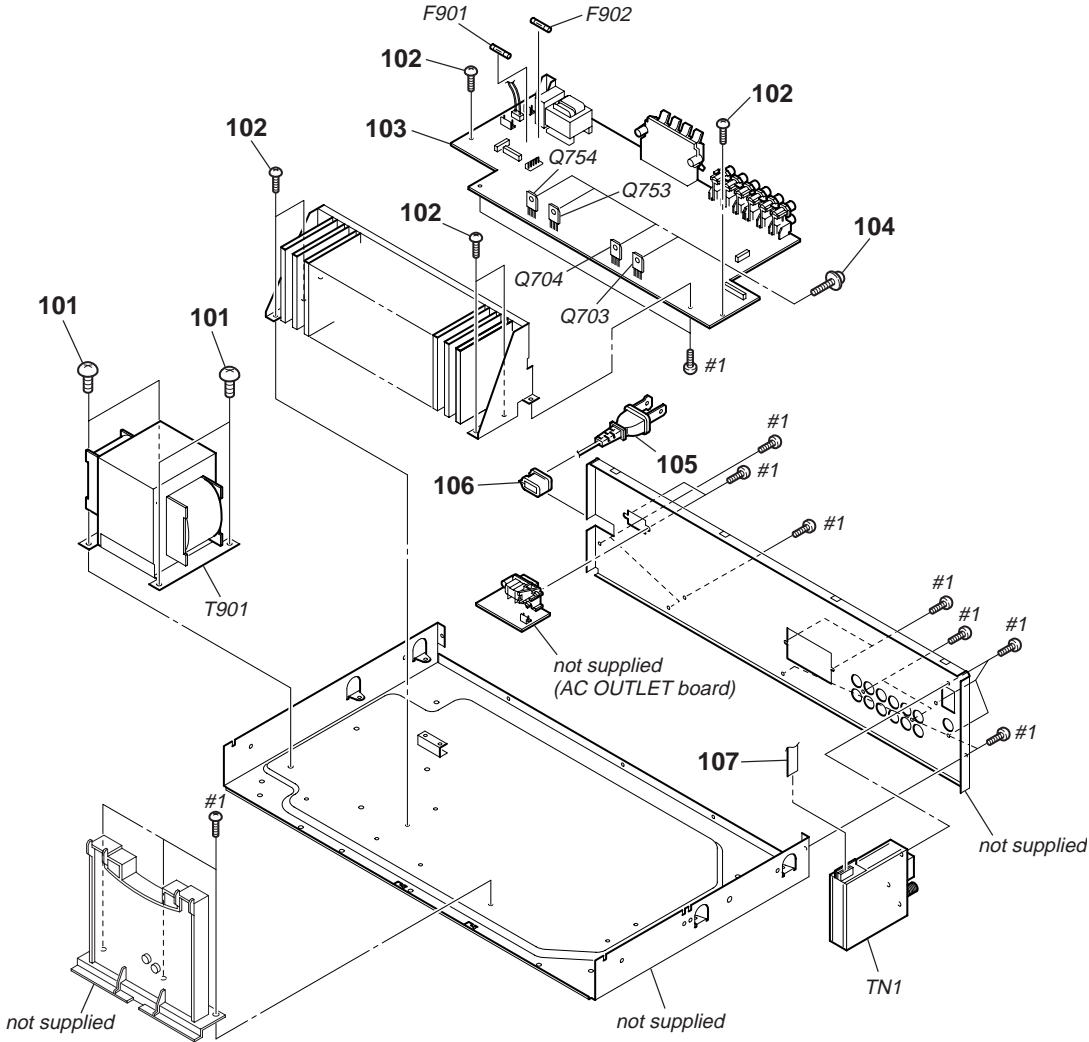
Ref. No.	Part No.	Description	Remark	Ref. No.	Part No.	Description	Remark
1	4-252-402-01	CASE (BLACK)		3	X-4953-448-1	FOOT ASSY	
1	4-252-402-21	CASE (SILVER)		4	4-232-237-01	FOOT (DIA.30)	
1	4-252-402-41	CASE (SILVER:for Hair-line Finish)		5	4-977-358-01	CUSHION	
2	4-210-291-01	SCREW (CASE 3 TP2) (BLACK)		#1	7-685-646-79	SCREW +BVTP 3X8 TYPE2 IT-3	
2	4-210-291-11	SCREW (CASE 3 TP2) (SILVER)					

5-2. FRONT PANEL SECTION



Ref. No.	Part No.	Description	Remark	Ref. No.	Part No.	Description	Remark
51	X-2021-462-1	FRONT PANEL ASSY (BLACK) (CND)		54	4-951-620-01	SCREW (2.6X8), +BVTP	
51	X-2108-586-1	FRONT PANEL ASSY (SILVER:for Hair-line Finish) (AEP)		55	1-773-026-11	WIRE (FLAT TYPE) (15 CORE)	
51	X-4956-248-1	FRONT PANEL ASSY (BLACK) (US)		56	A-4751-164-A	DISPLAY BOARD, COMPLETE (US,CND)	
51	X-4956-259-1	FRONT PANEL ASSY (BLACK) (AEP)		56	A-4751-248-A	DISPLAY BOARD, COMPLETE (AEP)	
51	X-4956-260-1	FRONT PANEL ASSY (SILVER) (AEP)		* 57	4-943-107-11	HOLDER (FL TUBE)	
52	4-977-358-01	CUSHION		* 58	4-921-941-01	CUSHION (FL)	
53	4-232-113-01	KNOB (VOL) (BLACK)		59	1-773-026-11	WIRE (FLAT TYPE) (15 CORE) (US,CND)	
53	4-232-113-12	KNOB (VOL) (SILVER)		59	1-773-060-11	WIRE (FLAT TYPE) (17 CORE) (AEP)	
53	4-232-113-31	KNOB (VOL) (SILVER:for Hair-line Finish)		FL201	1-518-970-11	VACUUM FLUORESCENT DISPLAY	

5-3. CHASSIS SECTION



<p>The components identified by mark Δ or dotted line with mark Δ are critical for safety. Replace only with part number specified.</p>	<p>Les composants identifiés par marque Δ sont critiques pour la sécurité. Ne les remplacer que par une pièce portant le numéro spécifié.</p>
---	---

Ref. No.	Part No.	Description	Remark	Ref. No.	Part No.	Description	Remark
101	4-249-675-01	+BV SUMITITE S 4X6 ROUND		Δ F902	1-533-453-12	FUSE, GLASS TUBE (DIA.5) (5A/125V)	(US,CND)
102	3-970-608-01	SUMITITE (B3), +BV		Δ F902	1-533-469-12	FUSE, GLASS TUBE (DIA.5) (T2.5AL/250V)	(AEP)
103	A-4751-167-A	MAIN BOARD, COMPLETE (US,CND)		Q703	8-749-010-25	TRANSISTOR MN2488-OPY-M	
103	A-4751-247-A	MAIN BOARD, COMPLETE (AEP)		Q704	8-749-010-26	TRANSISTOR MP1620-OPY-M	
104	3-905-609-01	SCREW (TRANSISTOR)		Q753	8-749-010-25	TRANSISTOR MN2488-OPY-M	
Δ 105	1-777-071-23	CORD, POWER (AEP)		Q754	8-749-010-26	TRANSISTOR MP1620-OPY-M	
Δ 105	1-783-820-11	CORD, POWER (US,CND)		Δ T901	1-443-188-11	TRANSFORMER, POWER (US,CND)	
* 106	3-703-244-00	BUSHING (2104), CORD		Δ T901	1-443-189-11	TRANSFORMER, POWER (AEP)	
107	1-769-942-11	WIRE (FLAT TYPE) (11 CORE) (US,CND)		TN1	1-693-577-13	TUNER PACK (ANTENNA) (US,CND)	
107	1-773-006-11	WIRE (FLAT TYPE) (15 CORE) (AEP)		TN1	1-693-578-13	TUNER PACK (ANTENNA) (AEP)	
Δ F901	1-533-453-12	FUSE, GLASS TUBE (DIA.5) (5A/125V)	(US,CND)	#1	7-685-646-79	SCREW +BVTP 3X8 TYPE2 IT-3	
Δ F901	1-533-469-12	FUSE, GLASS TUBE (DIA.5) (T2.5AL/250V)	(AEP)				

SECTION 6
ELECTRICAL PARTS LIST

NOTE:

- Due to standardization, replacements in the parts list may be different from the parts specified in the diagrams or the components used on the set.
- -XX and -X mean standardized parts, so they may have some difference from the original one.
- RESISTORS
All resistors are in ohms.
METAL: Metal-film resistor.
METAL OXIDE: Metal oxide-film resistor.
F: nonflammable
- Abbreviation
CND : Canadian model

- Items marked "*" are not stocked since they are seldom required for routine service. Some delay should be anticipated when ordering these items.
- SEMICONDUCTORS
In each case, u : μ , for example:
uA.. : μ A.. uPA.. : μ PA..
uPB.. : μ PB.. uPC.. : μ PC.. uPD.. : μ PD..
- CAPACITORS
uF : μ F
- COILS
uH : μ H

The components identified by mark Δ or dotted line with mark Δ are critical for safety. Replace only with part number specified.

Les composants identifiés par une marque Δ sont critiques pour la sécurité. Ne les remplacer que par une pièce portant le numéro spécifié.

When indicating parts by reference number, please include the board.

Ref. No.	Part No.	Description	Remark	Ref. No.	Part No.	Description	Remark
		AC OUTLET BOARD *****		CNS4	1-784-778-11	CONNECTOR, FFC 17P (AEP)	
		< AC OUTLET >		CNS5	1-784-776-11	CONNECTOR, FFC 15P	
Δ CNJ901	1-785-285-11	OUTLET, AC (1P) (AC OUTLET) (AEP)				< DIODE >	
Δ CNJ901	1-785-834-11	OUTLET, AC (1P) (AC OUTLET) (US,CND)		D201	8-719-991-33	DIODE 1SS133T-77	
		< CONNECTOR >		D202	8-719-991-33	DIODE 1SS133T-77	
CNP905	1-564-321-00	PIN, CONNECTOR (3.96mm PITCH) 2P *****		D203	8-719-061-96	LED SLR-325DCT31 (BASS BOOST)	
	A-4751-164-A	DISPLAY BOARD, COMPLETE (US,CND)		D204	8-719-991-33	DIODE 1SS133T-77	
	A-4751-248-A	DISPLAY BOARD, COMPLETE (AEP) *****				< VACUUM FLUORESCENT DISPLAY >	
*	4-921-941-01	CUSHION (FL)		FL201	1-518-970-11	VACUUM FLUORESCENT DISPLAY	
*	4-943-107-11	HOLDER (FL TUBE)				< IC >	
		< CAPACITOR >		IC201	6-801-553-01	IC uPD78045FGF-134-3B9	
C202	1-104-905-11	DOUBLE LAYERS 0.22F	5.5V	IC202	8-759-827-70	IC NJL64H400A-1 (IR)	
C203	1-164-159-11	CERAMIC 0.1uF	50V			< COIL >	
C204	1-128-821-11	CERAMIC 0.001uF 5%	50V	L201	1-410-509-11	INDUCTOR 10uH	
C205	1-127-876-11	CERAMIC 0.01uF 10%	50V (AEP)			< TRANSISTOR >	
C206	1-127-876-11	CERAMIC 0.01uF 10%	50V	Q201	8-729-029-40	TRANSISTOR DTA124ESA	
C207	1-128-821-11	CERAMIC 0.001uF 5%	50V	Q202	8-729-029-86	TRANSISTOR DTC124ESA	
C208	1-128-821-11	CERAMIC 0.001uF 5%	50V	Q206	8-729-029-86	TRANSISTOR DTC124ESA	
C209	1-128-821-11	CERAMIC 0.001uF 5%	50V			< RESISTOR >	
C210	1-128-821-11	CERAMIC 0.001uF 5%	50V	R227	1-249-381-11	CARBON 1 5% 1/4W F (AEP)	
C211	1-127-876-11	CERAMIC 0.01uF 10%	50V	R227	1-249-389-11	CARBON 4.7 5% 1/4W F (US,CND)	
C212	1-127-876-11	CERAMIC 0.01uF 10%	50V	R228	1-249-381-11	CARBON 1 5% 1/4W F (AEP)	
C213	1-127-876-11	CERAMIC 0.01uF 10%	50V	R228	1-249-389-11	CARBON 4.7 5% 1/4W F (US,CND)	
C215	1-126-947-11	ELECT 47uF 20%	35V	R229	1-247-807-31	CARBON 100 5% 1/4W	
C216	1-126-795-11	ELECT 10uF 20%	50V	R230	1-249-393-11	CARBON 10 5% 1/4W F	
C217	1-128-821-11	CERAMIC 0.001uF 5%	50V	R231	1-247-807-31	CARBON 100 5% 1/4W	
C218	1-128-821-11	CERAMIC 0.001uF 5%	50V	R232	1-247-807-31	CARBON 100 5% 1/4W	
C219	1-126-794-11	ELECT 4.7uF 20%	50V	R233	1-247-807-31	CARBON 100 5% 1/4W	
C221	1-128-821-11	CERAMIC 0.001uF 5%	50V	R234	1-247-807-31	CARBON 100 5% 1/4W	
C222	1-128-821-11	CERAMIC 0.001uF 5%	50V	R235	1-247-807-31	CARBON 100 5% 1/4W	
C225	1-164-159-11	CERAMIC 0.1uF	50V	R236	1-247-807-31	CARBON 100 5% 1/4W	
C226	1-164-159-11	CERAMIC 0.1uF	50V	R237	1-247-807-31	CARBON 100 5% 1/4W (AEP)	
		< CONNECTOR >		R238	1-249-429-11	CARBON 10K 5% 1/4W	
CNP202	1-750-186-11	CONNECTOR, BOARD TO BOARD 6P		R239	1-249-429-11	CARBON 10K 5% 1/4W	
CNS4	1-784-776-11	CONNECTOR, FFC 15P (US,CND)					

DISPLAY

FUNCTION KEY

Ref. No.	Part No.	Description	Remark	Ref. No.	Part No.	Description	Remark
R240	1-249-429-11	CARBON	10K 5% 1/4W	R311	1-247-807-31	CARBON	100 5% 1/4W (AEP)
R241	1-247-879-11	CARBON	100K 5% 1/4W			< SWITCH >	
R242	1-247-807-31	CARBON	100 5% 1/4W (AEP)	S204	1-771-410-21	SWITCH, TACTILE (3)	
R243	1-249-429-11	CARBON	10K 5% 1/4W (US,CND)	S205	1-771-410-21	SWITCH, TACTILE (6)	
R244	1-249-429-11	CARBON	10K 5% 1/4W (US,CND)	S206	1-771-410-21	SWITCH, TACTILE (9)	
R245	1-249-429-11	CARBON	10K 5% 1/4W	S207	1-771-410-21	SWITCH, TACTILE (DIRECT)	
R246	1-249-429-11	CARBON	10K 5% 1/4W	S208	1-771-410-21	SWITCH, TACTILE (0)	
R247	1-249-429-11	CARBON	10K 5% 1/4W	S209	1-771-410-21	SWITCH, TACTILE (8)	
R248	1-249-429-11	CARBON	10K 5% 1/4W	S210	1-771-410-21	SWITCH, TACTILE (5)	
R249	1-249-429-11	CARBON	10K 5% 1/4W	S211	1-771-410-21	SWITCH, TACTILE (2)	
R250	1-247-903-00	CARBON	1M 5% 1/4W	S212	1-771-410-21	SWITCH, TACTILE (7)	
R251	1-249-413-11	CARBON	470 5% 1/4W	S213	1-771-410-21	SWITCH, TACTILE (SHIFT)	
R252	1-247-807-31	CARBON	100 5% 1/4W	S215	1-771-410-21	SWITCH, TACTILE (NAME)	
R253	1-249-429-11	CARBON	10K 5% 1/4W	S216	1-771-410-21	SWITCH, TACTILE (FM)	
R254	1-249-429-11	CARBON	10K 5% 1/4W	S217	1-771-410-21	SWITCH, TACTILE (FM MODE)	
R255	1-247-871-11	CARBON	47K 5% 1/4W	S218	1-771-410-21	SWITCH, TACTILE (PRESET TUNING -)	
R262	1-247-871-11	CARBON	47K 5% 1/4W	S219	1-771-410-21	SWITCH, TACTILE (TUNING/CHAR -)	
R263	1-247-831-11	CARBON	1K 5% 1/4W	S220	1-771-410-21	SWITCH, TACTILE (TUNING/CHAR +)	
R264	1-249-421-11	CARBON	2.2K 5% 1/4W	S221	1-771-410-21	SWITCH, TACTILE (MEMORY/ENTER)	
R271	1-247-871-11	CARBON	47K 5% 1/4W	S222	1-771-410-21	SWITCH, TACTILE (1)	
R272	1-249-421-11	CARBON	2.2K 5% 1/4W	S223	1-771-410-21	SWITCH, TACTILE (4)	
R273	1-247-807-31	CARBON	100 5% 1/4W	S230	1-771-410-21	SWITCH, TACTILE (AM)	
R274	1-247-831-11	CARBON	1K 5% 1/4W	S231	1-771-410-21	SWITCH, TACTILE (PRESET TUNING +)	
R275	1-249-421-11	CARBON	2.2K 5% 1/4W	S238	1-771-410-21	SWITCH, TACTILE (BASS BOOST)	
R276	1-249-421-11	CARBON	2.2K 5% 1/4W	S239	1-771-410-21	SWITCH, TACTILE (DISPLAY)	
R277	1-247-847-11	CARBON	4.7K 5% 1/4W			< VIBRATOR >	
R278	1-249-429-11	CARBON	10K 5% 1/4W	X201	1-795-736-21	VIBRATOR, CERAMIC (4.19MHz)	
R279	1-247-863-11	CARBON	22K 5% 1/4W	*****			
R280	1-247-871-11	CARBON	47K 5% 1/4W	FUNCTION KEY BOARD			
R281	1-247-831-11	CARBON	1K 5% 1/4W	*****			
R282	1-249-421-11	CARBON	2.2K 5% 1/4W	< RESISTOR >			
R283	1-249-421-11	CARBON	2.2K 5% 1/4W	R256	1-247-831-11	CARBON	1K 5% 1/4W
R284	1-247-847-11	CARBON	4.7K 5% 1/4W	R257	1-249-421-11	CARBON	2.2K 5% 1/4W
R285	1-249-429-11	CARBON	10K 5% 1/4W	R258	1-249-421-11	CARBON	2.2K 5% 1/4W
R286	1-247-863-11	CARBON	22K 5% 1/4W	R259	1-247-847-11	CARBON	4.7K 5% 1/4W
R287	1-247-871-11	CARBON	47K 5% 1/4W	R260	1-249-429-11	CARBON	10K 5% 1/4W
R288	1-249-429-11	CARBON	10K 5% 1/4W	R261	1-247-863-11	CARBON	22K 5% 1/4W
R291	1-249-429-11	CARBON	10K 5% 1/4W			< SWITCH >	
R292	1-249-429-11	CARBON	10K 5% 1/4W	S232	1-771-410-21	SWITCH, TACTILE (TUNER)	
R293	1-249-429-11	CARBON	10K 5% 1/4W (US,CND)	S233	1-771-410-21	SWITCH, TACTILE (CD)	
R294	1-249-429-11	CARBON	10K 5% 1/4W (US,CND)	S234	1-771-410-21	SWITCH, TACTILE (MD/TAPE)	
R295	1-249-429-11	CARBON	10K 5% 1/4W (US,CND)	S235	1-771-410-21	SWITCH, TACTILE (VIDEO 2)	
R296	1-249-401-11	CARBON	47 5% 1/4W	S236	1-771-410-21	SWITCH, TACTILE (VIDEO 1)	
R298	1-247-847-11	CARBON	4.7K 5% 1/4W	*****			
R299	1-247-807-31	CARBON	100 5% 1/4W			< SWITCH >	
R300	1-247-807-31	CARBON	100 5% 1/4W	S232	1-771-410-21	SWITCH, TACTILE (TUNER)	
R301	1-247-807-31	CARBON	100 5% 1/4W	S233	1-771-410-21	SWITCH, TACTILE (CD)	
R302	1-247-871-11	CARBON	47K 5% 1/4W	S234	1-771-410-21	SWITCH, TACTILE (MD/TAPE)	
R306	1-247-871-11	CARBON	47K 5% 1/4W	S235	1-771-410-21	SWITCH, TACTILE (VIDEO 2)	
R307	1-247-871-11	CARBON	47K 5% 1/4W	S236	1-771-410-21	SWITCH, TACTILE (VIDEO 1)	
R308	1-247-871-11	CARBON	47K 5% 1/4W	*****			
R309	1-247-871-11	CARBON	47K 5% 1/4W			< SWITCH >	
R310	1-247-871-11	CARBON	47K 5% 1/4W			< SWITCH >	

Ref. No.	Part No.	Description	Remark	Ref. No.	Part No.	Description	Remark
		H.PHONE BOARD *****		C490	1-126-925-11	ELECT	470uF 20% 10V
		< CONNECTOR >		C602	1-128-809-11	CERAMIC	100PF 5% 50V
CNP801	1-691-765-11	PLUG (MICRO CONNECTOR) 3P		C603	1-107-583-11	CERAMIC	3PF 0.25PF 500V
		< JACK >		C604	1-128-817-11	CERAMIC	470PF 5% 50V
J803	1-815-314-21	JACK (PHONES)		C605	1-107-583-11	CERAMIC	3PF 0.25PF 500V
		*****		C606	1-126-933-11	ELECT	100uF 20% 16V
A-4751-167-A		MAIN BOARD, COMPLETE (US,CND)		C607	1-126-963-11	ELECT	4.7uF 20% 50V
A-4751-247-A		MAIN BOARD, COMPLETE (AEP)		C608	1-162-815-11	CERAMIC	47PF 5% 500V
		*****		C652	1-128-809-11	CERAMIC	100PF 5% 50V
1-533-217-41		HOLDER, FUSE		C653	1-107-583-11	CERAMIC	3PF 0.25PF 500V
		< CAPACITOR >		C654	1-128-817-11	CERAMIC	470PF 5% 50V
C402	1-126-964-11	ELECT	10uF 20% 50V	C655	1-107-583-11	CERAMIC	3PF 0.25PF 500V
C404	1-126-961-11	ELECT	2.2uF 20% 50V	C656	1-126-933-11	ELECT	100uF 20% 16V
C406	1-126-964-11	ELECT	10uF 20% 50V	C657	1-126-963-11	ELECT	4.7uF 20% 50V
C408	1-126-964-11	ELECT	10uF 20% 50V	C658	1-162-815-11	CERAMIC	47PF 5% 500V
C410	1-126-961-11	ELECT	2.2uF 20% 50V	C701	1-126-947-11	ELECT	47uF 20% 35V
C412	1-126-964-11	ELECT	10uF 20% 50V	C702	1-162-815-11	CERAMIC	47PF 5% 500V
C413	1-126-963-11	ELECT	4.7uF 20% 50V	C703	1-162-815-11	CERAMIC	47PF 5% 500V
C414	1-136-167-00	FILM	0.15uF 5% 50V	C704	1-128-813-11	CERAMIC	220PF 5% 50V
C415	1-136-167-00	FILM	0.15uF 5% 50V	C705	1-137-372-11	MYLAR	0.022uF 5% 50V
C416	1-137-190-11	FILM	0.22uF 5% 50V	C751	1-126-947-11	ELECT	47uF 20% 35V
C417	1-137-190-11	FILM	0.22uF 5% 50V	C752	1-162-815-11	CERAMIC	47PF 5% 500V
C418	1-136-287-11	FILM	0.0047uF 5% 100V	C753	1-162-815-11	CERAMIC	47PF 5% 500V
C419	1-126-964-11	ELECT	10uF 20% 50V	C754	1-128-813-11	CERAMIC	220PF 5% 50V
C420	1-126-963-11	ELECT	4.7uF 20% 50V	C755	1-137-372-11	MYLAR	0.022uF 5% 50V
C421	1-164-159-11	CERAMIC	0.1uF 50V	C781	1-126-923-11	ELECT	220uF 20% 10V
C422	1-126-965-11	ELECT	22uF 20% 50V	C782	1-126-964-11	ELECT	10uF 20% 50V
C424	1-126-961-11	ELECT	2.2uF 20% 50V	C791	1-164-159-11	CERAMIC	0.1uF 50V
C425	1-126-965-11	ELECT	22uF 20% 50V	C901	1-164-159-11	CERAMIC	0.1uF 50V
C426	1-126-964-11	ELECT	10uF 20% 50V	C902	1-164-159-11	CERAMIC	0.1uF 50V
C452	1-126-964-11	ELECT	10uF 20% 50V	C903	1-164-159-11	CERAMIC	0.1uF 50V
C454	1-126-961-11	ELECT	2.2uF 20% 50V	C904	1-126-960-11	ELECT	1uF 20% 50V
C456	1-126-964-11	ELECT	10uF 20% 50V	C905	1-126-936-11	ELECT	3300uF 20% 16V
C458	1-126-964-11	ELECT	10uF 20% 50V	C906	1-164-159-11	CERAMIC	0.1uF 50V
C460	1-126-961-11	ELECT	2.2uF 20% 50V	C907	1-164-159-11	CERAMIC	0.1uF 50V
C462	1-126-964-11	ELECT	10uF 20% 50V	C908	1-126-964-11	ELECT	10uF 20% 50V
C463	1-126-963-11	ELECT	4.7uF 20% 50V	C909	1-126-957-11	ELECT	0.22uF 20% 50V
C464	1-136-167-00	FILM	0.15uF 5% 50V	C910	1-164-159-11	CERAMIC	0.1uF 50V
C465	1-136-167-00	FILM	0.15uF 5% 50V	C911	1-164-159-11	CERAMIC	0.1uF 50V
C466	1-137-190-11	FILM	0.22uF 5% 50V	C912	1-135-851-21	MYLAR	0.22uF 100V
C467	1-137-190-11	FILM	0.22uF 5% 50V	C913	1-135-851-21	MYLAR	0.22uF 100V
C468	1-136-287-11	FILM	0.0047uF 5% 100V	C914	1-165-946-11	ELECT	6800uF 20% 71V
C469	1-126-964-11	ELECT	10uF 20% 50V	C915	1-165-946-11	ELECT	6800uF 20% 71V
C470	1-126-963-11	ELECT	4.7uF 20% 50V	C916	1-164-159-11	CERAMIC	0.1uF 50V
C471	1-164-159-11	CERAMIC	0.1uF 50V	C917	1-164-159-11	CERAMIC	0.1uF 50V
C472	1-126-965-11	ELECT	22uF 20% 50V	C918	1-126-944-11	ELECT	3300uF 20% 25V
C474	1-126-961-11	ELECT	2.2uF 20% 50V	C919	1-126-947-11	ELECT	47uF 20% 35V
C475	1-126-965-11	ELECT	22uF 20% 50V	C920	1-126-947-11	ELECT	47uF 20% 35V
C476	1-126-964-11	ELECT	10uF 20% 50V	C921	1-126-947-11	ELECT	47uF 20% 35V
C483	1-126-965-11	ELECT	22uF 20% 50V	C922	1-164-159-11	CERAMIC	0.1uF 50V
C484	1-126-964-11	ELECT	10uF 20% 50V	C923	1-126-947-11	ELECT	47uF 20% 35V
C485	1-164-159-11	CERAMIC	0.1uF 50V	C924	1-164-159-11	CERAMIC	0.1uF 50V
				C925	1-126-933-11	ELECT	100uF 20% 16V
				C926	1-164-159-11	CERAMIC	0.1uF 50V
				C927	1-126-947-11	ELECT	47uF 20% 35V
				C928	1-126-967-11	ELECT	47uF 20% 50V
				C929	1-128-560-11	ELECT	22uF 20% 100V
				C930	1-128-560-11	ELECT	22uF 20% 100V

Ref. No.	Part No.	Description	Remark	Ref. No.	Part No.	Description	Remark
Q781	8-729-119-79	TRANSISTOR 2SC2785-FEK		R471	1-247-871-11	CARBON 47K	5% 1/4W
Q782	8-729-119-79	TRANSISTOR 2SC2785-FEK		R472	1-247-863-11	CARBON 22K	5% 1/4W
Q783	8-729-119-79	TRANSISTOR 2SC2785-FEK		R473	1-247-863-11	CARBON 22K	5% 1/4W
Q784	8-729-042-09	TRANSISTOR 2SA1038S-RSE-TP		R474	1-249-429-11	CARBON 10K	5% 1/4W
Q785	8-729-119-79	TRANSISTOR 2SC2785-FEK		R475	1-247-847-11	CARBON 4.7K	5% 1/4W
Q786	8-729-140-84	TRANSISTOR 2SC1841-PAFAEA		R476	1-247-847-11	CARBON 4.7K	5% 1/4W
Q901	8-729-119-79	TRANSISTOR 2SC2785-FEK		R477	1-247-879-11	CARBON 100K	5% 1/4W
Q902	8-729-045-21	TRANSISTOR 2SD1513TP-LK		R478	1-247-879-11	CARBON 100K	5% 1/4W
Q903	8-729-119-79	TRANSISTOR 2SC2785-FEK		R481	1-247-807-31	CARBON 100	5% 1/4W
Q904	8-729-140-97	TRANSISTOR 2SB734-34		R482	1-247-807-31	CARBON 100	5% 1/4W
Q905	8-729-029-86	TRANSISTOR DTC124ESA (AEP)		R483	1-247-807-31	CARBON 100	5% 1/4W
Q906	8-729-029-86	TRANSISTOR DTC124ESA (AEP)		R484	1-247-807-31	CARBON 100	5% 1/4W
		< RESISTOR >		R485	1-247-807-31	CARBON 100	5% 1/4W
R401	1-247-847-11	CARBON 4.7K	5% 1/4W	R602	1-249-439-11	CARBON 68K	5% 1/4W
R402	1-247-847-11	CARBON 4.7K	5% 1/4W	R603	1-249-439-11	CARBON 68K	5% 1/4W
R403	1-249-421-11	CARBON 2.2K	5% 1/4W	R604	1-247-831-11	CARBON 1K	5% 1/4W
R404	1-249-421-11	CARBON 2.2K	5% 1/4W	R605	1-247-831-11	CARBON 1K	5% 1/4W
R405	1-247-847-11	CARBON 4.7K	5% 1/4W	R606	1-247-879-11	CARBON 100K	5% 1/4W
R406	1-247-847-11	CARBON 4.7K	5% 1/4W	R652	1-249-439-11	CARBON 68K	5% 1/4W
R407	1-247-847-11	CARBON 4.7K	5% 1/4W	R653	1-249-439-11	CARBON 68K	5% 1/4W
R408	1-247-847-11	CARBON 4.7K	5% 1/4W	R654	1-247-831-11	CARBON 1K	5% 1/4W
R409	1-249-421-11	CARBON 2.2K	5% 1/4W	R655	1-247-831-11	CARBON 1K	5% 1/4W
R410	1-249-421-11	CARBON 2.2K	5% 1/4W	R656	1-247-879-11	CARBON 100K	5% 1/4W
R411	1-247-847-11	CARBON 4.7K	5% 1/4W	R697	1-247-879-11	CARBON 100K	5% 1/4W
R412	1-247-847-11	CARBON 4.7K	5% 1/4W	R701	1-249-421-11	CARBON 2.2K	5% 1/4W
R413	1-247-843-11	CARBON 3.3K	5% 1/4W	R702	1-249-440-11	CARBON 82K	5% 1/4W
R414	1-247-843-11	CARBON 3.3K	5% 1/4W	R703	1-249-414-11	CARBON 560	5% 1/4W
R415	1-247-831-11	CARBON 1K	5% 1/4W	R704	1-249-402-11	CARBON 56	5% 1/4W F
R416	1-247-871-11	CARBON 47K	5% 1/4W	R705	1-249-402-11	CARBON 56	5% 1/4W F
R417	1-247-863-11	CARBON 22K	5% 1/4W	R706	1-234-182-11	ENCAPSULATED COMPONENT 0.22X2 5W	
R418	1-247-863-11	CARBON 22K	5% 1/4W	R707	1-247-847-11	CARBON 4.7K	5% 1/4W
R421	1-247-871-11	CARBON 47K	5% 1/4W	R708	1-240-855-81	CARBON 6.2K	5% 1/4W F
R422	1-247-863-11	CARBON 22K	5% 1/4W	R709	1-249-419-11	CARBON 1.5K	5% 1/4W
R423	1-247-863-11	CARBON 22K	5% 1/4W	R710	1-247-881-00	CARBON 120K	5% 1/4W
R424	1-249-429-11	CARBON 10K	5% 1/4W	R711	1-249-431-11	CARBON 15K	5% 1/4W
R425	1-247-847-11	CARBON 4.7K	5% 1/4W	R712	1-249-393-11	CARBON 10	5% 1/4W F
R426	1-247-847-11	CARBON 4.7K	5% 1/4W	R713	1-247-871-11	CARBON 47K	5% 1/4W
R427	1-247-879-11	CARBON 100K	5% 1/4W	R714	1-249-389-11	CARBON 4.7	5% 1/4W F
R428	1-247-879-11	CARBON 100K	5% 1/4W	R751	1-249-421-11	CARBON 2.2K	5% 1/4W
R451	1-247-847-11	CARBON 4.7K	5% 1/4W	R752	1-249-440-11	CARBON 82K	5% 1/4W
R452	1-247-847-11	CARBON 4.7K	5% 1/4W	R753	1-249-414-11	CARBON 560	5% 1/4W
R453	1-249-421-11	CARBON 2.2K	5% 1/4W	R754	1-249-402-11	CARBON 56	5% 1/4W F
R454	1-249-421-11	CARBON 2.2K	5% 1/4W	R755	1-249-402-11	CARBON 56	5% 1/4W F
R455	1-247-847-11	CARBON 4.7K	5% 1/4W	R756	1-234-182-11	ENCAPSULATED COMPONENT 0.22X2 5W	
R456	1-247-847-11	CARBON 4.7K	5% 1/4W	R757	1-247-847-11	CARBON 4.7K	5% 1/4W
R457	1-247-847-11	CARBON 4.7K	5% 1/4W	R758	1-240-855-81	CARBON 6.2K	5% 1/4W F
R458	1-247-847-11	CARBON 4.7K	5% 1/4W	R759	1-249-419-11	CARBON 1.5K	5% 1/4W
R459	1-249-421-11	CARBON 2.2K	5% 1/4W	R760	1-247-881-00	CARBON 120K	5% 1/4W
R460	1-249-421-11	CARBON 2.2K	5% 1/4W	R761	1-249-431-11	CARBON 15K	5% 1/4W
R461	1-247-847-11	CARBON 4.7K	5% 1/4W	R762	1-249-393-11	CARBON 10	5% 1/4W F
R462	1-247-847-11	CARBON 4.7K	5% 1/4W	R763	1-247-871-11	CARBON 47K	5% 1/4W
R463	1-247-843-11	CARBON 3.3K	5% 1/4W	R764	1-249-389-11	CARBON 4.7	5% 1/4W F
R464	1-247-843-11	CARBON 3.3K	5% 1/4W	R781	1-247-847-11	CARBON 4.7K	5% 1/4W
R465	1-247-831-11	CARBON 1K	5% 1/4W	R782	1-247-847-11	CARBON 4.7K	5% 1/4W
R466	1-247-871-11	CARBON 47K	5% 1/4W	R783	1-247-847-11	CARBON 4.7K	5% 1/4W
R467	1-247-863-11	CARBON 22K	5% 1/4W	R784	1-249-404-00	CARBON 82	5% 1/4W F
R468	1-247-863-11	CARBON 22K	5% 1/4W	R785	1-249-404-00	CARBON 82	5% 1/4W F
				R786	1-247-847-11	CARBON 4.7K	5% 1/4W

MAIN **POWER** **VOLUME**

Ref. No.	Part No.	Description			Remark	Ref. No.	Part No.	Description			Remark
R787	1-247-847-11	CARBON	4.7K	5%	1/4W	RY783	1-755-416-12	RELAY			
R788	1-249-427-11	CARBON	6.8K	5%	1/4W	RY981	1-755-013-11	RELAY			
R789	1-247-871-11	CARBON	47K	5%	1/4W	△ RY982	1-755-276-31	RELAY, POWER			
R790	1-247-831-11	CARBON	1K	5%	1/4W			< TRANSFORMER >			
R791	1-247-871-11	CARBON	47K	5%	1/4W						
△ R792	1-215-868-00	METAL OXIDE	680	5%	1W F	△ T902	1-435-281-11	TRANSFORMER, POWER (US,CND)			
△ R793	1-215-868-00	METAL OXIDE	680	5%	1W F	△ T902	1-435-282-11	TRANSFORMER, POWER (AEP)			
R794	1-249-429-11	CARBON	10K	5%	1/4W			< TERMINAL BOARD >			
R795	1-249-404-00	CARBON	82	5%	1/4W F						
R901	1-247-847-11	CARBON	4.7K	5%	1/4W	TM801	1-537-376-11	TERMINAL BOARD (8P) (SPEAKERS)			
R902	1-249-381-11	CARBON	1	5%	1/4W F	*****					
△ R903	1-219-237-11	SOLID	3.3M	20%	1/2W F			POWER BOARD			
					(US,CND)			*****			
R904	1-249-435-11	CARBON	33K	5%	1/4W			< CONNECTOR >			
R905	1-247-863-11	CARBON	22K	5%	1/4W	CNP201	1-779-977-11	PIN, CONNECTOR 6P			
R906	1-249-421-11	CARBON	2.2K	5%	1/4W			< DIODE >			
R907	1-249-428-11	CARBON	8.2K	5%	1/4W						
R908	1-249-422-11	CARBON	2.7K	5%	1/4W	D205	8-719-061-96	LED SLR-325DCT31 (SPEAKER A)			
R909	1-249-431-11	CARBON	15K	5%	1/4W	D206	8-719-061-96	LED SLR-325DCT31 (SPEAKER B)			
R910	1-249-429-11	CARBON	10K	5%	1/4W			< TRANSISTOR >			
R911	1-247-843-11	CARBON	3.3K	5%	1/4W	Q204	8-729-029-86	TRANSISTOR DTC124ESA			
R912	1-247-831-11	CARBON	1K	5%	1/4W	Q205	8-729-029-86	TRANSISTOR DTC124ESA			
R913	1-249-404-00	CARBON	82	5%	1/4W F			< RESISTOR >			
R914	1-247-847-11	CARBON	4.7K	5%	1/4W	R289	1-249-413-11	CARBON 470 5% 1/4W			
△ R915	1-240-877-11	FUSIBLE	0.15	5%	1/2W F	R290	1-249-413-11	CARBON 470 5% 1/4W			
R916	1-249-389-11	CARBON	4.7	5%	1/4W F	R297	1-247-831-11	CARBON 1K 5% 1/4W			
R917	1-249-429-11	CARBON	10K	5%	1/4W			< SWITCH >			
R918	1-247-831-11	CARBON	1K	5%	1/4W	S201	1-771-410-21	SWITCH, TACTILE (I/⏏)			
R919	1-247-871-11	CARBON	47K	5%	1/4W	S202	1-771-410-21	SWITCH, TACTILE (SPEAKER A)			
R920	1-247-871-11	CARBON	47K	5%	1/4W	S203	1-771-410-21	SWITCH, TACTILE (SPEAKER B)			
R923	1-249-429-11	CARBON	10K	5%	1/4W	*****					
R926	1-247-791-11	CARBON	22	5%	1/4W			VOLUME BOARD			
R929	1-249-401-11	CARBON	47	5%	1/4W F			*****			
R930	1-249-401-11	CARBON	47	5%	1/4W F			< CONNECTOR >			
R941	1-249-409-11	CARBON	220	5%	1/4W	CN202	1-750-195-11	CONNECTOR, BOARD TO BOARD 6P			
					(AEP)			< RESISTOR >			
R942	1-249-429-11	CARBON	10K	5%	1/4W	R265	1-247-831-11	CARBON 1K 5% 1/4W			
					(AEP)	R266	1-249-421-11	CARBON 2.2K 5% 1/4W			
R943	1-249-419-11	CARBON	1.5K	5%	1/4W	R267	1-249-421-11	CARBON 2.2K 5% 1/4W			
					(AEP)	R268	1-247-847-11	CARBON 4.7K 5% 1/4W			
R944	1-247-863-11	CARBON	22K	5%	1/4W	R269	1-249-429-11	CARBON 10K 5% 1/4W			
					(AEP)	R270	1-247-863-11	CARBON 22K 5% 1/4W			
R945	1-249-429-11	CARBON	10K	5%	1/4W			< ROTARY ENCODER >			
					(AEP)	RV201	1-418-725-41	ENCODER, ROTARY (12 TYPE)			
R946	1-249-429-11	CARBON	10K	5%	1/4W			(MASTER VOLUME)			
					(AEP)			< SWITCH >			
R947	1-249-429-11	CARBON	10K	5%	1/4W	S224	1-771-410-21	SWITCH, TACTILE (BALANCE R)			
					(AEP)						
RR701	1-249-393-11	CARBON	10	5%	1/4W F						
					(AEP)						
RR702	1-249-393-11	CARBON	10	5%	1/4W F						
					(AEP)						
RR751	1-249-393-11	CARBON	10	5%	1/4W F						
					(AEP)						
RR752	1-249-393-11	CARBON	10	5%	1/4W F						
					(AEP)						
								< RELAY >			
RY781	1-755-416-12	RELAY									
RY782	1-755-416-12	RELAY									

The components identified by mark △ or dotted line with mark △ are critical for safety. Replace only with part number specified.	Les composants identifiés par une marque △ sont critiques pour la sécurité. Ne les remplacer que par une pièce portant le numéro spécifié.
--	--

VOLUME

Ref. No.	Part No.	Description	Remark
S225	1-771-410-21	SWITCH, TACTILE (TREBLE +)	
S226	1-771-410-21	SWITCH, TACTILE (BASS +)	
S227	1-771-410-21	SWITCH, TACTILE (BALANCE L)	
S228	1-771-410-21	SWITCH, TACTILE (TREBLE -)	
S229	1-771-410-21	SWITCH, TACTILE (BASS -)	

MISCELLANEOUS			

55	1-773-026-11	WIRE (FLAT TYPE) (15 CORE)	
59	1-773-026-11	WIRE (FLAT TYPE) (15 CORE) (US,CND)	
59	1-773-060-11	WIRE (FLAT TYPE) (17 CORE) (AEP)	
△ 105	1-777-071-23	CORD, POWER (AEP)	
△ 105	1-783-820-11	CORD, POWER (US,CND)	
107	1-769-942-11	WIRE (FLAT TYPE) (11 CORE) (US,CND)	
107	1-773-006-11	WIRE (FLAT TYPE) (15 CORE) (AEP)	
△ F901	1-533-453-12	FUSE, GLASS TUBE (DIA.5) (5A/125V)	(US,CND)
△ F901	1-533-469-12	FUSE, GLASS TUBE (DIA.5) (T2.5AL/250V)	(AEP)
△ F902	1-533-453-12	FUSE, GLASS TUBE (DIA.5) (5A/125V)	(US,CND)
△ F902	1-533-469-12	FUSE, GLASS TUBE (DIA.5) (T2.5AL/250V)	(AEP)
Q703	8-749-010-25	TRANSISTOR MN2488-OPY-M	
Q704	8-749-010-26	TRANSISTOR MP1620-OPY-M	
Q753	8-749-010-25	TRANSISTOR MN2488-OPY-M	
Q754	8-749-010-26	TRANSISTOR MP1620-OPY-M	
△ T901	1-443-188-11	TRANSFORMER, POWER (US,CND)	
△ T901	1-443-189-11	TRANSFORMER, POWER (AEP)	
TN1	1-693-577-13	TUNER PACK (ANTENNA) (US,CND)	
TN1	1-693-578-13	TUNER PACK (ANTENNA) (AEP)	

ACCESSORIES			

1-477-133-11	COMMANDER, STANDARD (RM-U185)		
1-501-374-12	ANTENNA, LOOP (AM)		
1-501-807-12	ANTENNA (FM) (AEP)		
1-793-184-23	CONNECTOR (F TYPE ADAPTOR) (FM)		(US,CND)
4-228-696-01	COVER, BATTERY (for RM-U185)		
4-253-437-11	MANUAL, INSTRUCTION (ENGLISH)		
4-253-437-21	MANUAL, INSTRUCTION (FRENCH,DUTCH, SWEDISH,GERMAN,SPANISH, ITALIAN,POLISH) (AEP)		
4-253-437-31	MANUAL, INSTRUCTION (DANISH,FINNISH)		(AEP)
4-253-437-41	MANUAL, INSTRUCTION (PORTUGUESE) (AEP)		

The components identified by mark △ or dotted line with mark △ are critical for safety. Replace only with part number specified.

Les composants identifiés par une marque △ sont critiques pour la sécurité. Ne les remplacer que par une pièce portant le numéro spécifié.

STR-DE197

SONY®

SERVICE MANUAL

Ver. 1.3 2006. 09

US Model
Canadian Model
AEP Model

SUPPLEMENT-1

File this supplement with the service manual.

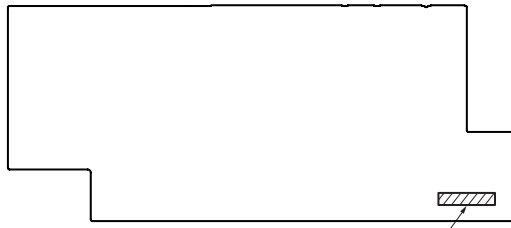
Subject: Change the MAIN, DISPLAY, VOLUME, H.PHONE, POWER, FUNCTION KEY and AC OUTLET boards.

Printed wiring board and schematic diagram of new type, and changed parts list are described in this Supplement-1.

When performing service and inspection, check the part number of the MAIN, DISPLAY, VOLUME, H.PHONE, POWER, FUNCTION KEY and AC OUTLET boards.

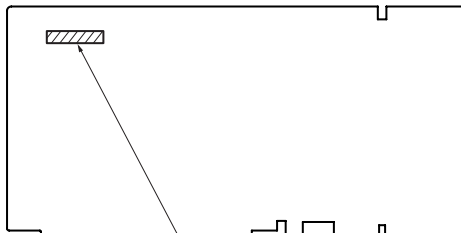
DISCRIMINATION

— MAIN BOARD (COMPONENT SIDE) —



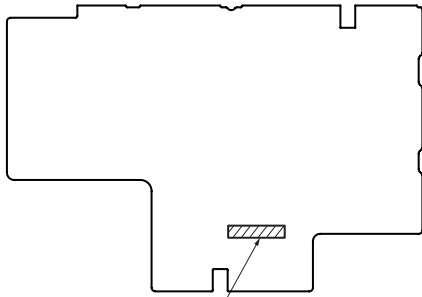
MAIN BOARD Part No.
Former : 1-861-592-11
New : 1-871-790-11

— DISPLAY BOARD (COMPONENT SIDE) —



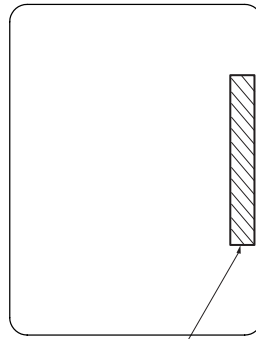
DISPLAY BOARD Part No.
Former : 1-861-586-11
New : 1-871-791-11

— VOLUME BOARD (COMPONENT SIDE) —



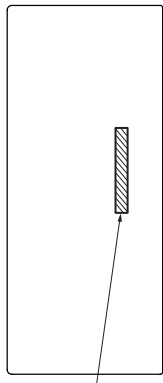
VOLUME BOARD Part No.
Former : 1-861-587-11
New : 1-871-792-11

— H.PHONE BOARD (COMPONENT SIDE) —



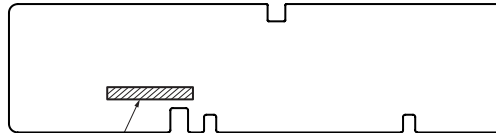
H.PHONE BOARD Part No.
Former : 1-861-590-11
New : 1-871-793-11

— POWER BOARD (COMPONENT SIDE) —



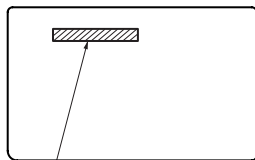
POWER BOARD Part No.
Former : 1-861-591-11
New : 1-871-794-11

— FUNCTION KEY BOARD (COMPONENT SIDE) —



FUNCTION KEY BOARD Part No.
Former : 1-861-588-11
New : 1-871-795-11

— AC OUTLET BOARD (COMPONENT SIDE) —



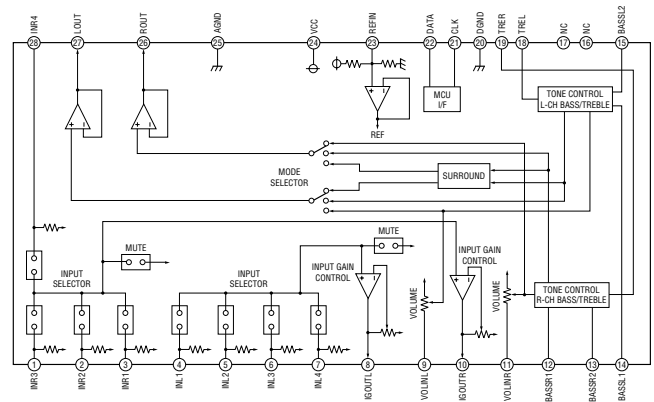
AC OUTLET BOARD Part No.
Former : 1-861-589-11
New : 1-871-796-11

TABLE OF CONTENTS

1. Printed Wiring Boards –Main Section– 4
 2. Schematic Diagram –Main Section (1/2)– 5
 3. Schematic Diagram –Main Section (2/2)– 6
 4. Printed Wiring Boards –Panel Section– 7
 5. Schematic Diagram –Panel Section– 8
 6. Electrical Parts List 9

• IC Block Diagram

IC402 R2S15904SP



THIS NOTE IS COMMON FOR PRINTED WIRING BOARDS AND SCHEMATIC DIAGRAMS.
 (In addition to this, the necessary note is printed in each block.)

for schematic diagram:

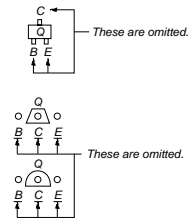
- All capacitors are in μF unless otherwise noted. (p: pF)
- 50 WV or less are not indicated except for electrolytics and tantalums.
- All resistors are in Ω and $1/4\text{W}$ or less unless otherwise specified.
- Δ : internal component.
- \square : nonflammable resistor.
- \square : fusible resistor.
- \square : panel designation.

Note:
 The components identified by mark Δ or dotted line with mark Δ are critical for safety. Replace only with part number specified.

Note:
 Les composants identifiés par une marque Δ sont critiques pour la sécurité. Ne les remplacer que par une pièce portant le numéro spécifié.

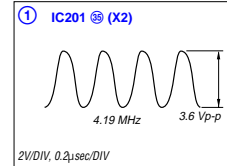
for printed wiring boards:

- \square : parts extracted from the component side.
- Δ : internal component.
- \square : Pattern from the side which enables seeing.
- Abbreviation
- CND: Canadian model.
- (()): Page of Supplement-1.

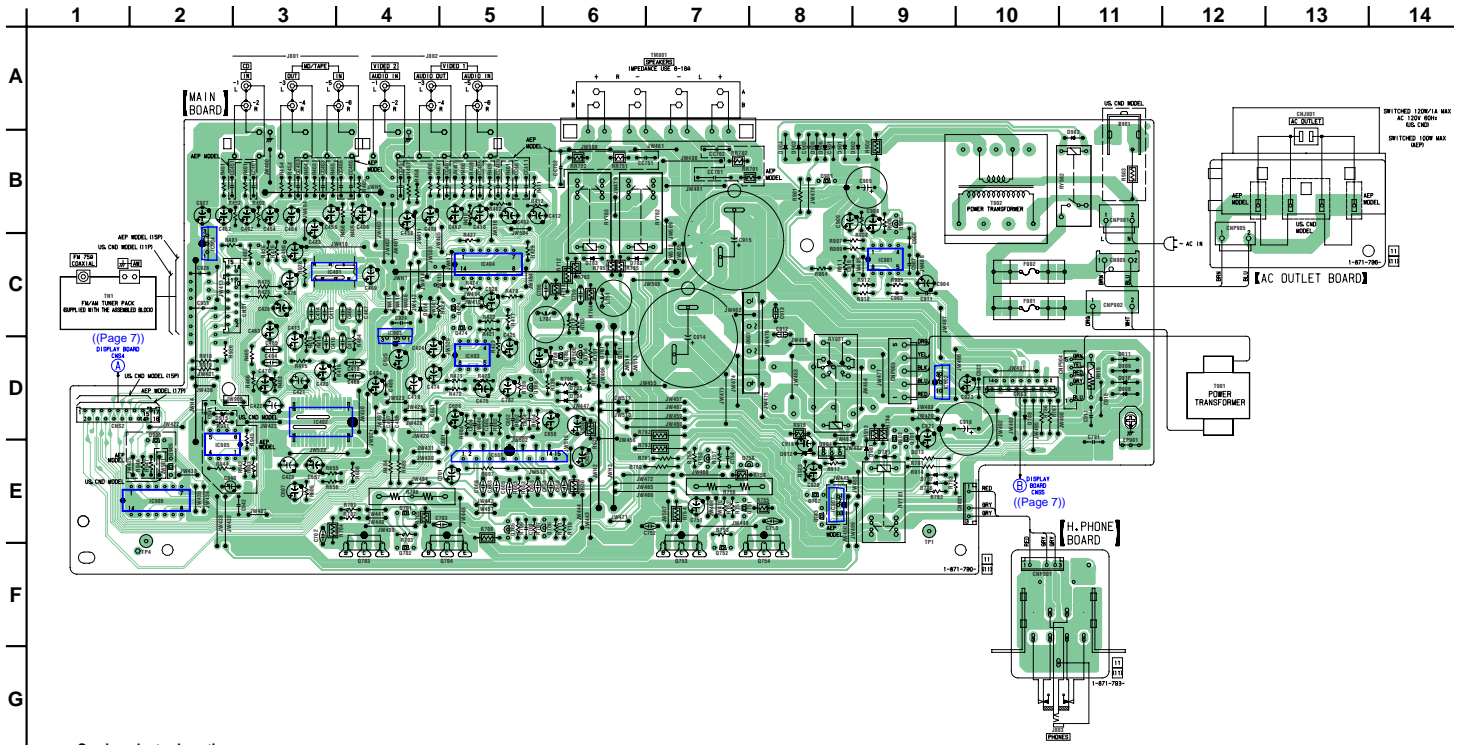


- --- : B+ Line.
- --- : B- Line.
- Voltage and waveforms are dc with respect to ground under no-signal (detuned) conditions.
- no mark: FM
- Voltages are taken with a VOM (input impedance 10 M Ω). Voltage variations may be noted due to normal production tolerances.
- Waveforms are taken with an oscilloscope. Voltage variations may be noted due to normal production tolerances.
- Circled numbers refer to waveforms.
- Signal path.
- \rightarrow : TUNER (FM/AM)
- \rightarrow : VIDEO (AUDIO)
- \rightarrow : CD (ANALOG)
- Abbreviation
- CND: Canadian model.
- (()): Page of Supplement-1.

• Waveform



1. PRINTED WIRING BOARDS — MAIN SECTION — • Refer to page 13 of Service Manual for Circuit Boards Location. **F**: Uses unleaded solder.

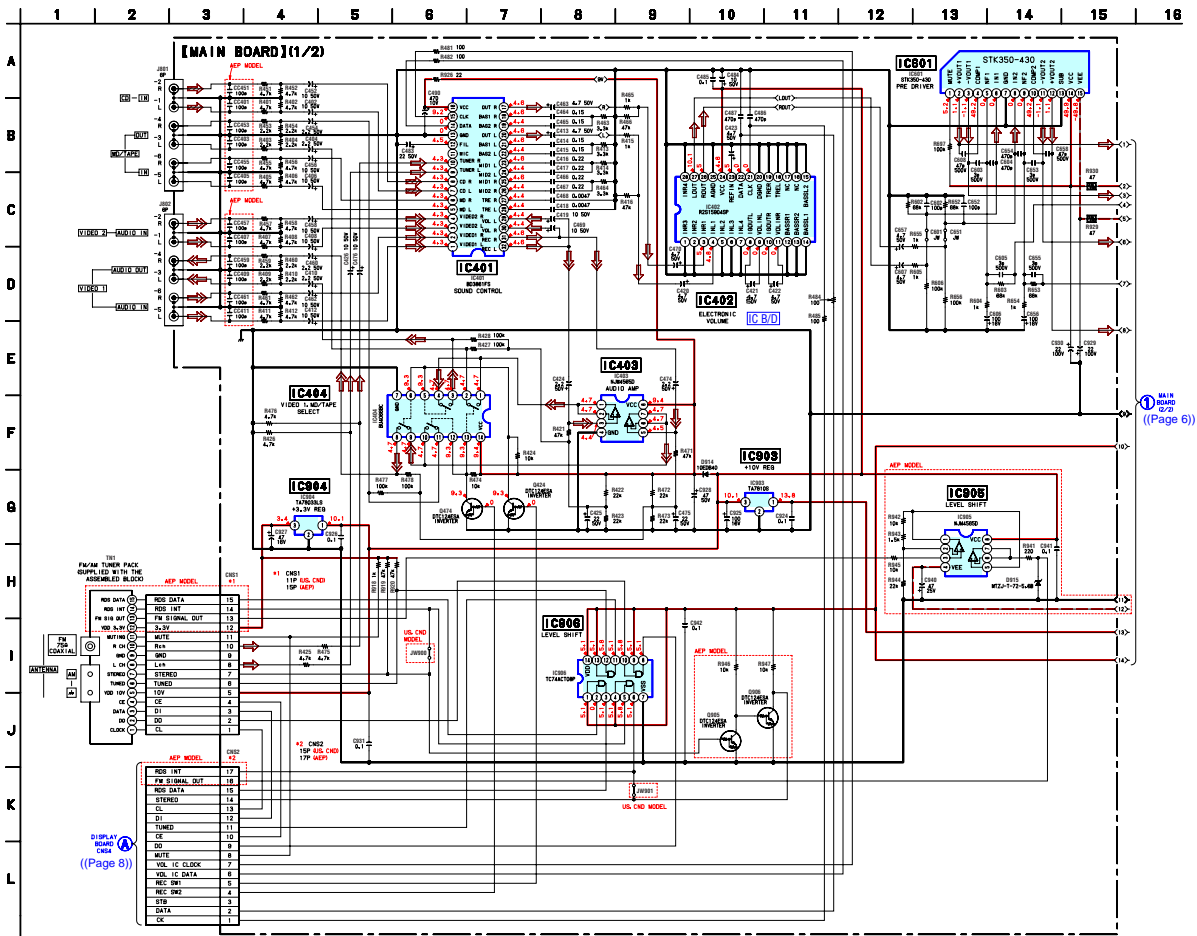


• Semiconductor Location

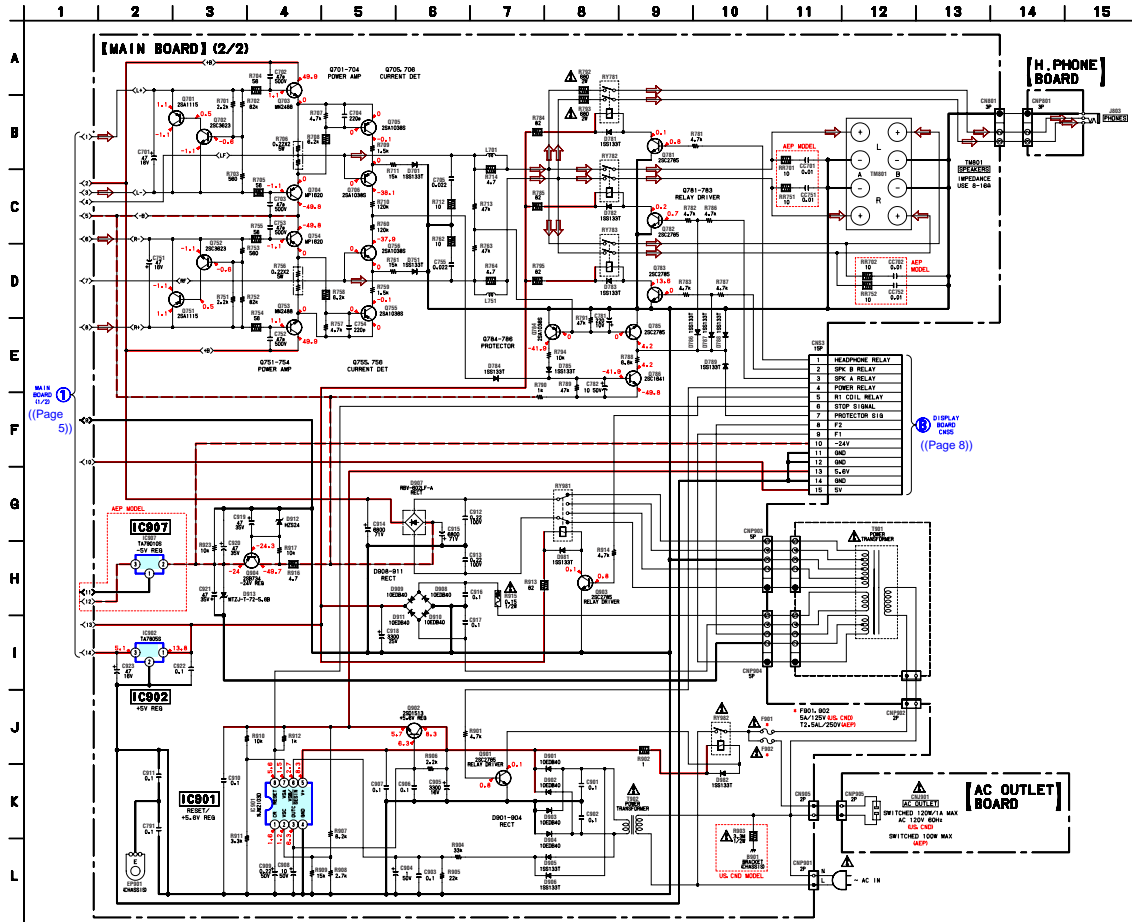
Ref. No.	Location	Ref. No.	Location	Ref. No.	Location	Ref. No.	Location
D701	D-6	D907	D-7	IC901	C-9	Q752	F-7
D751	D-6	D908	D-11	IC902	D-9	Q753	F-7
D781	E-9	D909	D-11	IC903	C-4	Q754	F-8
D782	C-6	D910	D-11	IC904	C-2	Q755	E-7
D783	C-6	D911	D-11	(IC905)	E-2	Q756	E-7
D784	D-6	D912	E-8	IC906	E-2	Q781	D-9
D785	D-6	D913	E-9	(IC907)	E-8	Q782	E-8
D786	E-9	D914	C-4			Q783	E-8
D787	E-9	(D915)	D-2	Q424	C-5	Q784	D-6
D788	D-6	D981	E-9	Q474	C-5	Q785	D-6
D789	D-10	D982	B-11	Q701	E-4	Q786	D-5
D901	B-8			Q702	F-4	Q901	B-8
D902	B-9	IC401	C-3	Q703	F-4	Q902	B-9
D903	B-8	IC402	D-3	Q704	F-5	Q903	D-9
D904	B-8	IC403	D-5	Q705	E-5	Q904	E-8
D905	B-8	IC404	C-5	Q706	E-6	(Q905)	E-2
D906	B-8	IC601	E-5	Q751	E-7	(Q906)	D-2


() : AEP model only

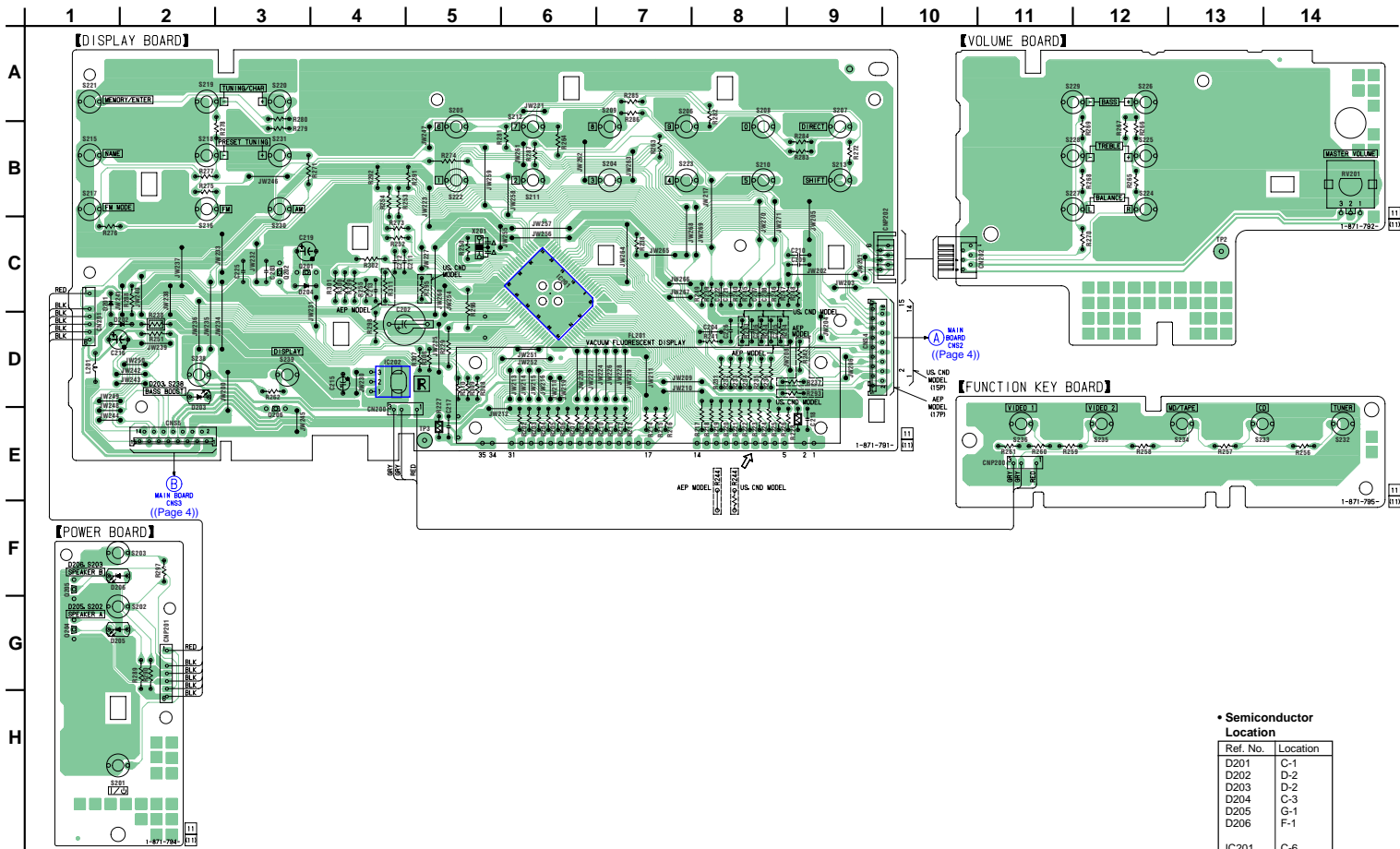
2. SCHEMATIC DIAGRAM — MAIN SECTION (1/2) — • Refer to page 3 of Supplement-1 for IC Block Diagram.



3. SCHEMATIC DIAGRAM — MAIN SECTION (2/2) —



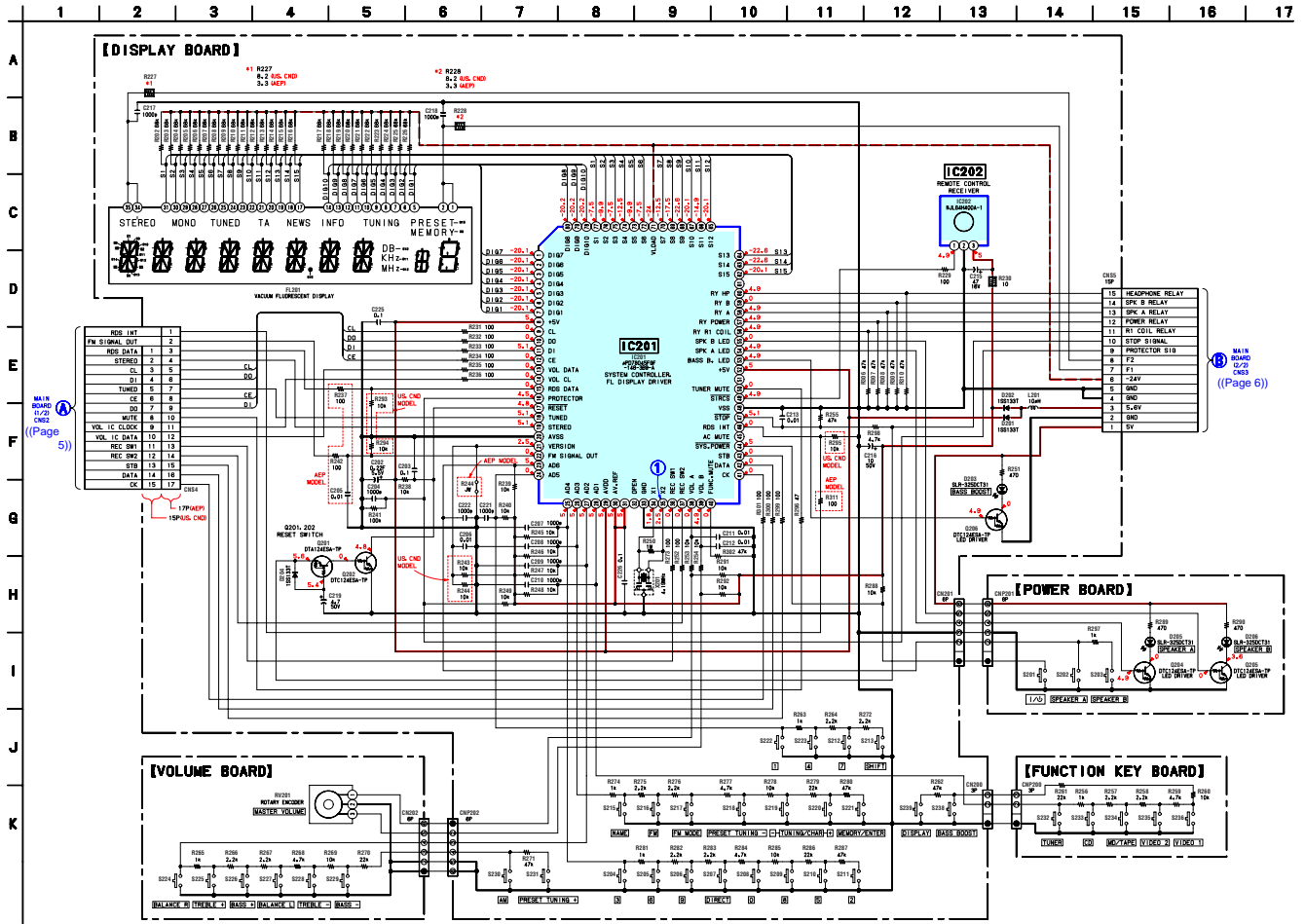
4. PRINTED WIRING BOARDS — PANEL SECTION — • Refer to page 13 of Service Manual for Circuit Boards Location. : Uses unleaded solder.



• Semiconductor Location

Ref. No.	Location
D201	C-1
D202	D-2
D203	D-2
D204	C-3
D205	G-1
D206	F-1
IC201	C-6
IC202	D-4
Q201	C-3
Q202	C-3
Q204	G-1
Q205	F-1
Q206	E-3

5. SCHEMATIC DIAGRAM — PANEL SECTION — • Refer to page 3 of Supplement-1 for Waveform.



6. ELECTRICAL PARTS LIST

NOTE:

- Due to standardization, replacements in the parts list may be different from the parts specified in the diagrams or the components used on the set.
- -XX and -X mean standardized parts, so they may have some difference from the original one.
- RESISTORS
All resistors are in ohms.
METAL: Metal-film resistor.
METAL OXIDE: Metal oxide-film resistor.
F: nonflammable
- Abbreviation
CND : Canadian model
- Items marked "*" are not stocked since they are seldom required for routine service. Some delay should be anticipated when ordering these items.
- SEMICONDUCTORS
In each case, u : μ , for example:
uA.. : μ A.. uPA.. : μ PA..
uPB.. : μ PB.. uPC.. : μ PC.. uPD.. : μ PD..
- CAPACITORS
uF : μ F
- COILS
uH : μ H

The components identified by mark Δ or dotted line with mark Δ are critical for safety. Replace only with part number specified.

Les composants identifiés par une marque Δ sont critiques pour la sécurité. Ne les remplacer que par une pièce portant le numéro spécifié.

When indicating parts by reference number, please include the board.

Ref. No.	Part No.	Description	Remark	Ref. No.	Part No.	Description	Remark	
		AC OUTLET BOARD *****		CNS5	1-784-776-11	CONNECTOR, FFC 15P		
		< AC OUTLET >				< DIODE >		
Δ	CNJ901	1-785-285-11	OUTLET, AC (1P) (AC OUTLET) (AEP)	D201	8-719-991-33	DIODE 1SS133T-77		
Δ	CNJ901	1-785-834-11	OUTLET, AC (1P) (AC OUTLET) (US,CND)	D202	8-719-991-33	DIODE 1SS133T-77		
		< CONNECTOR >		D203	8-719-061-96	LED SLR-325DCT31 (BASS BOOST)		
		CNP905	1-564-321-00	PIN, CONNECTOR (3.96mm PITCH) 2P *****	D204	8-719-991-33	DIODE 1SS133T-77	
		A-1212-649-A	DISPLAY BOARD, COMPLETE (US,CND)			< VACUUM FLUORESCENT DISPLAY >		
		A-1212-658-A	DISPLAY BOARD, COMPLETE (AEP) *****	FL201	1-519-923-11	VACUUM FLUORESCENT DISPLAY		
		2-887-959-01	HOLDER, FL			< IC >		
		< CAPACITOR >		IC201	6-806-993-01	IC uPD78045FGF-148-3B9-A		
		C202	1-104-905-11	DOUBLE LAYERS 0.22F 5.5V	IC202	8-759-827-70	IC NJL64H400A-1 (IR)	
		C203	1-164-159-11	CERAMIC 0.1uF 50V			< COIL >	
		C204	1-128-821-11	CERAMIC 0.001uF 5% 50V	L201	1-410-509-11	INDUCTOR 10uH	
		C205	1-127-876-11	CERAMIC 0.01uF 10% 50V			< TRANSISTOR >	
		C206	1-127-876-11	CERAMIC 0.01uF 10% 50V	Q201	8-729-029-40	TRANSISTOR DTA124ESA	
		C207	1-128-821-11	CERAMIC 0.001uF 5% 50V	Q202	8-729-029-86	TRANSISTOR DTC124ESA	
		C208	1-128-821-11	CERAMIC 0.001uF 5% 50V	Q206	8-729-029-86	TRANSISTOR DTC124ESA	
		C209	1-128-821-11	CERAMIC 0.001uF 5% 50V			< RESISTOR >	
		C210	1-128-821-11	CERAMIC 0.001uF 5% 50V	R202	1-249-439-11	CARBON 68K 5% 1/4W	
		C211	1-127-876-11	CERAMIC 0.01uF 10% 50V	R203	1-249-439-11	CARBON 68K 5% 1/4W	
		C212	1-127-876-11	CERAMIC 0.01uF 10% 50V	R204	1-249-439-11	CARBON 68K 5% 1/4W	
		C213	1-127-876-11	CERAMIC 0.01uF 10% 50V	R205	1-249-439-11	CARBON 68K 5% 1/4W	
		C215	1-126-947-11	ELECT 47uF 20% 35V	R206	1-249-439-11	CARBON 68K 5% 1/4W	
		C216	1-126-795-11	ELECT 10uF 20% 50V	R207	1-249-439-11	CARBON 68K 5% 1/4W	
		C217	1-128-821-11	CERAMIC 0.001uF 5% 50V	R208	1-249-439-11	CARBON 68K 5% 1/4W	
		C218	1-128-821-11	CERAMIC 0.001uF 5% 50V	R209	1-249-439-11	CARBON 68K 5% 1/4W	
		C219	1-126-794-11	ELECT 4.7uF 20% 50V	R210	1-249-439-11	CARBON 68K 5% 1/4W	
		C221	1-128-821-11	CERAMIC 0.001uF 5% 50V	R211	1-249-439-11	CARBON 68K 5% 1/4W	
		C222	1-128-821-11	CERAMIC 0.001uF 5% 50V	R212	1-249-439-11	CARBON 68K 5% 1/4W	
		C225	1-164-159-11	CERAMIC 0.1uF 50V	R213	1-249-439-11	CARBON 68K 5% 1/4W	
		C226	1-164-159-11	CERAMIC 0.1uF 50V	R214	1-249-439-11	CARBON 68K 5% 1/4W	
		< CONNECTOR >		R215	1-249-439-11	CARBON 68K 5% 1/4W		
		CNP202	1-750-186-11	CONNECTOR, BOARD TO BOARD 6P	R216	1-249-439-11	CARBON 68K 5% 1/4W	
		CNS4	1-784-776-11	CONNECTOR, FFC 15P (US,CND)	R217	1-249-439-11	CARBON 68K 5% 1/4W	
		CNS4	1-784-778-11	CONNECTOR, FFC 17P (AEP)	R218	1-249-439-11	CARBON 68K 5% 1/4W	
				R219	1-249-439-11	CARBON 68K 5% 1/4W		
				R220	1-249-439-11	CARBON 68K 5% 1/4W		
				R221	1-249-439-11	CARBON 68K 5% 1/4W		

DISPLAY

Ref. No.	Part No.	Description	Remark	Ref. No.	Part No.	Description	Remark
R222	1-249-439-11	CARBON	68K 5% 1/4W	R283	1-249-421-11	CARBON	2.2K 5% 1/4W
R223	1-249-439-11	CARBON	68K 5% 1/4W	R284	1-247-847-11	CARBON	4.7K 5% 1/4W
R224	1-249-439-11	CARBON	68K 5% 1/4W	R285	1-249-429-11	CARBON	10K 5% 1/4W
R225	1-249-439-11	CARBON	68K 5% 1/4W	R286	1-247-863-11	CARBON	22K 5% 1/4W
R226	1-249-439-11	CARBON	68K 5% 1/4W	R287	1-247-871-11	CARBON	47K 5% 1/4W
R227	1-249-387-81	CARBON	3.3 5% 1/4W F (AEP)	R288	1-249-429-11	CARBON	10K 5% 1/4W
R227	1-249-392-81	CARBON	8.2 5% 1/4W F (US,CND)	R291	1-249-429-11	CARBON	10K 5% 1/4W
R228	1-249-387-81	CARBON	3.3 5% 1/4W F (AEP)	R292	1-249-429-11	CARBON	10K 5% 1/4W
R228	1-249-392-81	CARBON	8.2 5% 1/4W F (US,CND)	R293	1-249-429-11	CARBON	10K 5% 1/4W (US,CND)
R229	1-247-807-31	CARBON	100 5% 1/4W	R294	1-249-429-11	CARBON	10K 5% 1/4W (US,CND)
R230	1-249-393-11	CARBON	10 5% 1/4W F	R295	1-249-429-11	CARBON	10K 5% 1/4W (US,CND)
R231	1-247-807-31	CARBON	100 5% 1/4W	R296	1-249-401-11	CARBON	47 5% 1/4W
R232	1-247-807-31	CARBON	100 5% 1/4W	R298	1-247-847-11	CARBON	4.7K 5% 1/4W
R233	1-247-807-31	CARBON	100 5% 1/4W	R299	1-247-807-31	CARBON	100 5% 1/4W
R234	1-247-807-31	CARBON	100 5% 1/4W	R300	1-247-807-31	CARBON	100 5% 1/4W
R235	1-247-807-31	CARBON	100 5% 1/4W	R301	1-247-807-31	CARBON	100 5% 1/4W
R236	1-247-807-31	CARBON	100 5% 1/4W	R302	1-247-871-11	CARBON	47K 5% 1/4W
R237	1-247-807-31	CARBON	100 5% 1/4W (AEP)	R306	1-247-871-11	CARBON	47K 5% 1/4W
R238	1-249-429-11	CARBON	10K 5% 1/4W	R307	1-247-871-11	CARBON	47K 5% 1/4W
R239	1-249-429-11	CARBON	10K 5% 1/4W	R308	1-247-871-11	CARBON	47K 5% 1/4W
R240	1-249-429-11	CARBON	10K 5% 1/4W	R309	1-247-871-11	CARBON	47K 5% 1/4W
R241	1-247-879-11	CARBON	100K 5% 1/4W	R310	1-247-871-11	CARBON	47K 5% 1/4W
R242	1-247-807-31	CARBON	100 5% 1/4W (AEP)	R311	1-247-807-31	CARBON	100 5% 1/4W (AEP)
R243	1-249-429-11	CARBON	10K 5% 1/4W (US,CND)	< SWITCH >			
R244	1-249-429-11	CARBON	10K 5% 1/4W (US,CND)	S204	1-771-410-21	SWITCH, TACTILE (3)	
R245	1-249-429-11	CARBON	10K 5% 1/4W	S205	1-771-410-21	SWITCH, TACTILE (6)	
R246	1-249-429-11	CARBON	10K 5% 1/4W	S206	1-771-410-21	SWITCH, TACTILE (9)	
R247	1-249-429-11	CARBON	10K 5% 1/4W	S207	1-771-410-21	SWITCH, TACTILE (DIRECT)	
R248	1-249-429-11	CARBON	10K 5% 1/4W	S208	1-771-410-21	SWITCH, TACTILE (0)	
R249	1-249-429-11	CARBON	10K 5% 1/4W	S209	1-771-410-21	SWITCH, TACTILE (8)	
R250	1-247-903-00	CARBON	1M 5% 1/4W	S210	1-771-410-21	SWITCH, TACTILE (5)	
R251	1-249-413-11	CARBON	470 5% 1/4W	S211	1-771-410-21	SWITCH, TACTILE (2)	
R252	1-247-807-31	CARBON	100 5% 1/4W	S212	1-771-410-21	SWITCH, TACTILE (7)	
R253	1-249-429-11	CARBON	10K 5% 1/4W	S213	1-771-410-21	SWITCH, TACTILE (SHIFT)	
R254	1-249-429-11	CARBON	10K 5% 1/4W	S215	1-771-410-21	SWITCH, TACTILE (NAME)	
R255	1-247-871-11	CARBON	47K 5% 1/4W	S216	1-771-410-21	SWITCH, TACTILE (FM)	
R262	1-247-871-11	CARBON	47K 5% 1/4W	S217	1-771-410-21	SWITCH, TACTILE (FM MODE)	
R263	1-247-831-11	CARBON	1K 5% 1/4W	S218	1-771-410-21	SWITCH, TACTILE (PRESET TUNING -)	
R264	1-249-421-11	CARBON	2.2K 5% 1/4W	S219	1-771-410-21	SWITCH, TACTILE (TUNING/CHAR -)	
R271	1-247-871-11	CARBON	47K 5% 1/4W	S220	1-771-410-21	SWITCH, TACTILE (TUNING/CHAR +)	
R272	1-249-421-11	CARBON	2.2K 5% 1/4W	S221	1-771-410-21	SWITCH, TACTILE (MEMORY/ENTER)	
R273	1-247-807-31	CARBON	100 5% 1/4W	S222	1-771-410-21	SWITCH, TACTILE (1)	
R274	1-247-831-11	CARBON	1K 5% 1/4W	S223	1-771-410-21	SWITCH, TACTILE (4)	
R275	1-249-421-11	CARBON	2.2K 5% 1/4W	S230	1-771-410-21	SWITCH, TACTILE (AM)	
R276	1-249-421-11	CARBON	2.2K 5% 1/4W	S231	1-771-410-21	SWITCH, TACTILE (PRESET TUNING +)	
R277	1-247-847-11	CARBON	4.7K 5% 1/4W	S238	1-771-410-21	SWITCH, TACTILE (BASS BOOST)	
R278	1-249-429-11	CARBON	10K 5% 1/4W	S239	1-771-410-21	SWITCH, TACTILE (DISPLAY)	
R279	1-247-863-11	CARBON	22K 5% 1/4W	< VIBRATOR >			
R280	1-247-871-11	CARBON	47K 5% 1/4W	X201	1-795-736-21	VIBRATOR, CERAMIC (4.19MHz)	
R281	1-247-831-11	CARBON	1K 5% 1/4W	*****			
R282	1-249-421-11	CARBON	2.2K 5% 1/4W				

Ref. No.	Part No.	Description	Remark	Ref. No.	Part No.	Description	Remark
		FUNCTION KEY BOARD					

		< RESISTOR >					
R256	1-247-831-11	CARBON 1K	5% 1/4W	C458	1-126-964-11	ELECT 10uF	20% 50V
R257	1-249-421-11	CARBON 2.2K	5% 1/4W	C460	1-126-961-11	ELECT 2.2uF	20% 50V
R258	1-249-421-11	CARBON 2.2K	5% 1/4W	C462	1-126-964-11	ELECT 10uF	20% 50V
R259	1-247-847-11	CARBON 4.7K	5% 1/4W	C463	1-126-963-11	ELECT 4.7uF	20% 50V
R260	1-249-429-11	CARBON 10K	5% 1/4W	C464	1-136-167-00	FILM 0.15uF	5% 50V
				C465	1-136-167-00	FILM 0.15uF	5% 50V
				C466	1-137-190-11	FILM 0.22uF	5% 50V
				C467	1-137-190-11	FILM 0.22uF	5% 50V
				C468	1-136-287-11	FILM 0.0047uF	5% 100V
R261	1-247-863-11	CARBON 22K	5% 1/4W	C469	1-126-964-11	ELECT 10uF	20% 50V
		< SWITCH >		C470	1-126-963-11	ELECT 4.7uF	20% 50V
S232	1-771-410-21	SWITCH, TACTILE (TUNER)		C474	1-126-961-11	ELECT 2.2uF	20% 50V
S233	1-771-410-21	SWITCH, TACTILE (CD)		C475	1-126-965-11	ELECT 22uF	20% 50V
S234	1-771-410-21	SWITCH, TACTILE (MD/TAPE)		C476	1-126-964-11	ELECT 10uF	20% 50V
S235	1-771-410-21	SWITCH, TACTILE (VIDEO 2)		C483	1-126-965-11	ELECT 22uF	20% 50V
S236	1-771-410-21	SWITCH, TACTILE (VIDEO 1)					
		*****		C484	1-126-964-11	ELECT 10uF	20% 50V
		H.PHONE BOARD		C485	1-164-159-11	CERAMIC 0.1uF	50V
		*****		C486	1-128-817-11	CERAMIC 470PF	5% 50V
		< CONNECTOR >		C487	1-128-817-11	CERAMIC 470PF	5% 50V
CNP801	1-691-765-11	PLUG (MICRO CONNECTOR) 3P		C490	1-126-925-11	ELECT 470uF	20% 10V
		< JACK >					
J803	1-815-314-21	JACK (PHONES)		C602	1-128-809-11	CERAMIC 100PF	5% 50V
		*****		C603	1-107-583-11	CERAMIC 3PF	0.25PF 500V
A-1212-652-A		MAIN BOARD, COMPLETE (US,CND)		C604	1-128-817-11	CERAMIC 470PF	5% 50V
A-1212-659-A		MAIN BOARD, COMPLETE (AEP)		C605	1-107-583-11	CERAMIC 3PF	0.25PF 500V
		*****		C606	1-126-933-11	ELECT 100uF	20% 16V
1-533-217-41		HOLDER, FUSE					
		< CAPACITOR >		C607	1-126-963-11	ELECT 4.7uF	20% 50V
C402	1-126-964-11	ELECT 10uF	20% 50V	C608	1-162-815-11	CERAMIC 47PF	5% 500V
C404	1-126-961-11	ELECT 2.2uF	20% 50V	C652	1-128-809-11	CERAMIC 100PF	5% 50V
C406	1-126-964-11	ELECT 10uF	20% 50V	C653	1-107-583-11	CERAMIC 3PF	0.25PF 500V
C408	1-126-964-11	ELECT 10uF	20% 50V	C654	1-128-817-11	CERAMIC 470PF	5% 50V
C410	1-126-961-11	ELECT 2.2uF	20% 50V				
				C655	1-107-583-11	CERAMIC 3PF	0.25PF 500V
C412	1-126-964-11	ELECT 10uF	20% 50V	C656	1-126-933-11	ELECT 100uF	20% 16V
C413	1-126-963-11	ELECT 4.7uF	20% 50V	C657	1-126-963-11	ELECT 4.7uF	20% 50V
C414	1-136-167-00	FILM 0.15uF	5% 50V	C658	1-162-815-11	CERAMIC 47PF	5% 500V
C415	1-136-167-00	FILM 0.15uF	5% 50V	C701	1-126-947-11	ELECT 47uF	20% 35V
C416	1-137-190-11	FILM 0.22uF	5% 50V				
				C702	1-162-815-11	CERAMIC 47PF	5% 500V
C417	1-137-190-11	FILM 0.22uF	5% 50V	C703	1-162-815-11	CERAMIC 47PF	5% 500V
C418	1-136-287-11	FILM 0.0047uF	5% 100V	C704	1-128-813-11	CERAMIC 220PF	5% 50V
C419	1-126-964-11	ELECT 10uF	20% 50V	C705	1-137-372-11	MYLAR 0.022uF	5% 50V
C420	1-126-963-11	ELECT 4.7uF	20% 50V	C751	1-126-947-11	ELECT 47uF	20% 35V
C421	1-126-963-11	ELECT 4.7uF	20% 50V				
				C752	1-162-815-11	CERAMIC 47PF	5% 500V
C422	1-126-963-11	ELECT 4.7uF	20% 50V	C753	1-162-815-11	CERAMIC 47PF	5% 500V
C423	1-126-963-11	ELECT 4.7uF	20% 50V	C754	1-128-813-11	CERAMIC 220PF	5% 50V
C424	1-126-961-11	ELECT 2.2uF	20% 50V	C755	1-137-372-11	MYLAR 0.022uF	5% 50V
C425	1-126-965-11	ELECT 22uF	20% 50V	C781	1-126-923-11	ELECT 220uF	20% 10V
C426	1-126-964-11	ELECT 10uF	20% 50V				
				C782	1-126-964-11	ELECT 10uF	20% 50V
C452	1-126-964-11	ELECT 10uF	20% 50V	C791	1-164-159-11	CERAMIC 0.1uF	50V
C454	1-126-961-11	ELECT 2.2uF	20% 50V	C901	1-164-159-11	CERAMIC 0.1uF	50V
C456	1-126-964-11	ELECT 10uF	20% 50V	C902	1-164-159-11	CERAMIC 0.1uF	50V
				C903	1-164-159-11	CERAMIC 0.1uF	50V
				C904	1-126-960-11	ELECT 1uF	20% 50V
				C905	1-126-936-11	ELECT 3300uF	20% 16V
				C906	1-164-159-11	CERAMIC 0.1uF	50V
				C907	1-164-159-11	CERAMIC 0.1uF	50V
				C908	1-126-964-11	ELECT 10uF	20% 50V
				C909	1-126-957-11	ELECT 0.22uF	20% 50V
				C910	1-164-159-11	CERAMIC 0.1uF	50V
				C911	1-164-159-11	CERAMIC 0.1uF	50V

MAIN

Ref. No.	Part No.	Description		Remark	Ref. No.	Part No.	Description	Remark
C912	1-135-851-21	MYLAR	0.22uF	100V	* CNP903	1-564-242-00	PIN, CONNECTOR (3.96mm PITCH) 5P	
C913	1-135-851-21	MYLAR	0.22uF	100V	CNP904	1-691-767-11	PLUG (MICRO CONNECTOR) 5P	
C914	1-165-946-11	ELECT	6800uF	20% 71V	CNS1	1-568-830-11	CONNECTOR, FFC 11P (US,CND)	
C915	1-165-946-11	ELECT	6800uF	20% 71V	CNS1	1-784-776-11	CONNECTOR, FFC 15P (AEP)	
C916	1-164-159-11	CERAMIC	0.1uF	50V	CNS2	1-784-776-11	CONNECTOR, FFC 15P (US,CND)	
C917	1-164-159-11	CERAMIC	0.1uF	50V	CNS2	1-784-778-11	CONNECTOR, FFC 17P (AEP)	
C918	1-126-944-11	ELECT	3300uF	20% 25V	CNS3	1-784-776-11	CONNECTOR, FFC 15P	
C919	1-126-947-11	ELECT	47uF	20% 35V			< DIODE >	
C920	1-126-947-11	ELECT	47uF	20% 35V				
C921	1-126-947-11	ELECT	47uF	20% 35V	D701	8-719-991-33	DIODE 1SS133T-77	
C922	1-127-888-11	CERAMIC	0.1uF	10% 50V	D751	8-719-991-33	DIODE 1SS133T-77	
C923	1-126-947-11	ELECT	47uF	20% 35V	D781	8-719-991-33	DIODE 1SS133T-77	
C924	1-127-888-11	CERAMIC	0.1uF	10% 50V	D782	8-719-991-33	DIODE 1SS133T-77	
C925	1-126-933-11	ELECT	100uF	20% 16V	D783	8-719-991-33	DIODE 1SS133T-77	
C926	1-127-888-11	CERAMIC	0.1uF	10% 50V	D784	8-719-991-33	DIODE 1SS133T-77	
C927	1-126-947-11	ELECT	47uF	20% 35V	D785	8-719-991-33	DIODE 1SS133T-77	
C928	1-126-967-11	ELECT	47uF	20% 50V	D786	8-719-991-33	DIODE 1SS133T-77	
C929	1-128-560-11	ELECT	22uF	20% 100V	D787	8-719-991-33	DIODE 1SS133T-77	
C930	1-128-560-11	ELECT	22uF	20% 100V	D788	8-719-991-33	DIODE 1SS133T-77	
C931	1-164-159-11	CERAMIC	0.1uF	50V	D789	8-719-991-33	DIODE 1SS133T-77	
C940	1-126-947-11	ELECT	47uF	20% 35V (AEP)	D901	6-500-522-11	DIODE 10EDB40-TA2B5	
C941	1-164-159-11	CERAMIC	0.1uF	50V (AEP)	D902	6-500-522-11	DIODE 10EDB40-TA2B5	
C942	1-164-159-11	CERAMIC	0.1uF	50V (AEP)	D903	6-500-522-11	DIODE 10EDB40-TA2B5	
CC401	1-128-809-11	CERAMIC	100PF	5% 50V (AEP)	D904	6-500-522-11	DIODE 10EDB40-TA2B5	
CC403	1-128-809-11	CERAMIC	100PF	5% 50V (AEP)	D905	8-719-991-33	DIODE 1SS133T-77	
CC405	1-128-809-11	CERAMIC	100PF	5% 50V (AEP)	D906	8-719-991-33	DIODE 1SS133T-77	
CC407	1-128-809-11	CERAMIC	100PF	5% 50V (AEP)	D907	8-719-072-05	DIODE RBV-602LF-A	
CC409	1-128-809-11	CERAMIC	100PF	5% 50V (AEP)	D908	6-500-522-11	DIODE 10EDB40-TA2B5	
CC411	1-128-809-11	CERAMIC	100PF	5% 50V (AEP)	D909	6-500-522-11	DIODE 10EDB40-TA2B5	
CC451	1-128-809-11	CERAMIC	100PF	5% 50V (AEP)	D910	6-500-522-11	DIODE 10EDB40-TA2B5	
CC453	1-128-809-11	CERAMIC	100PF	5% 50V (AEP)	D911	6-500-522-11	DIODE 10EDB40-TA2B5	
CC455	1-128-809-11	CERAMIC	100PF	5% 50V (AEP)	D912	8-719-986-54	DIODE HZS24-1LTA	
CC457	1-128-809-11	CERAMIC	100PF	5% 50V (AEP)	D913	8-719-109-89	DIODE RD5.6ESB2	
CC459	1-128-809-11	CERAMIC	100PF	5% 50V (AEP)	D914	6-500-522-11	DIODE 10EDB40-TA2B5	
CC461	1-128-809-11	CERAMIC	100PF	5% 50V (AEP)	D915	8-719-109-89	DIODE RD5.6ESB2 (AEP)	
CC701	1-127-876-11	CERAMIC	0.01uF	10% 50V (AEP)	D981	8-719-991-33	DIODE 1SS133T-77	
CC702	1-127-876-11	CERAMIC	0.01uF	10% 50V (AEP)	D982	8-719-991-33	DIODE 1SS133T-77	
CC751	1-127-876-11	CERAMIC	0.01uF	10% 50V (AEP)			< EARTH TERMINAL >	
CC752	1-127-876-11	CERAMIC	0.01uF	10% 50V (AEP)	* EP901	1-537-738-21	TERMINAL, EARTH	
							< IC >	
					IC401	6-700-261-01	IC BD3861FS	
					IC402	6-710-289-01	IC R2S15904SP	
					IC403	8-759-167-88	IC NJM4565D	
					IC404	8-759-932-33	IC BU4066BC	
					IC601	6-705-630-01	IC STK350-430	
					IC901	8-759-333-83	IC NJM2103D	
					IC902	8-759-231-53	IC TA7805S	
					IC903	8-759-231-57	IC TA7810S	
					IC904	6-702-771-01	IC TA78033LS	
					IC905	8-759-167-88	IC NJM4565D (AEP)	
					IC906	8-759-243-51	IC TC74ACT08P	
					IC907	8-759-245-84	IC TA79010S (AEP)	
							< CONNECTOR >	
CNP901	1-564-321-00	PIN, CONNECTOR (3.96mm PITCH) 2P						
* CNP902	1-565-792-11	PIN, CONNECTOR (3.96mm PITCH) 2P						

Ref. No.	Part No.	Description	Remark	Ref. No.	Part No.	Description	Remark
		< JACK >					
J801	1-774-411-11	JACK, PIN 6P (CD IN,MD/TAPE OUT, MD/TAPE IN)		R427	1-247-879-11	CARBON 100K	5% 1/4W
J802	1-774-411-11	JACK, PIN 6P (VIDEO 2 AUDIO IN, VIDEO 1 AUDIO OUT/AUDIO IN)		R428	1-247-879-11	CARBON 100K	5% 1/4W
		< COIL >		R451	1-247-847-11	CARBON 4.7K	5% 1/4W
L701	1-420-872-52	COIL, AIR-CORE		R452	1-247-847-11	CARBON 4.7K	5% 1/4W
L751	1-420-872-52	COIL, AIR-CORE		R453	1-249-421-11	CARBON 2.2K	5% 1/4W
		< TRANSISTOR >		R454	1-249-421-11	CARBON 2.2K	5% 1/4W
Q424	8-729-029-86	TRANSISTOR DTC124ESA		R455	1-247-847-11	CARBON 4.7K	5% 1/4W
Q474	8-729-029-86	TRANSISTOR DTC124ESA		R456	1-247-847-11	CARBON 4.7K	5% 1/4W
Q701	8-729-119-76	TRANSISTOR 2SA1175-HFE		R457	1-247-847-11	CARBON 4.7K	5% 1/4W
Q702	8-729-141-30	TRANSISTOR 2SC3623A-LK		R458	1-247-847-11	CARBON 4.7K	5% 1/4W
Q705	8-729-042-09	TRANSISTOR 2SA1038S-RSE-TP		R459	1-249-421-11	CARBON 2.2K	5% 1/4W
Q706	8-729-042-09	TRANSISTOR 2SA1038S-RSE-TP		R460	1-249-421-11	CARBON 2.2K	5% 1/4W
Q751	8-729-119-76	TRANSISTOR 2SA1175-HFE		R461	1-247-847-11	CARBON 4.7K	5% 1/4W
Q752	8-729-141-30	TRANSISTOR 2SC3623A-LK		R462	1-247-847-11	CARBON 4.7K	5% 1/4W
Q755	8-729-042-09	TRANSISTOR 2SA1038S-RSE-TP		R463	1-247-843-11	CARBON 3.3K	5% 1/4W
Q756	8-729-042-09	TRANSISTOR 2SA1038S-RSE-TP		R464	1-247-843-11	CARBON 3.3K	5% 1/4W
Q781	8-729-119-79	TRANSISTOR 2SC2785-FEK		R465	1-247-831-11	CARBON 1K	5% 1/4W
Q782	8-729-119-79	TRANSISTOR 2SC2785-FEK		R466	1-247-871-11	CARBON 47K	5% 1/4W
Q783	8-729-119-79	TRANSISTOR 2SC2785-FEK		R471	1-247-871-11	CARBON 47K	5% 1/4W
Q784	8-729-042-09	TRANSISTOR 2SA1038S-RSE-TP		R472	1-247-863-11	CARBON 22K	5% 1/4W
Q785	8-729-119-79	TRANSISTOR 2SC2785-FEK		R473	1-247-863-11	CARBON 22K	5% 1/4W
Q786	8-729-140-84	TRANSISTOR 2SC1841-PAFAEA		R474	1-249-429-11	CARBON 10K	5% 1/4W
Q901	8-729-119-79	TRANSISTOR 2SC2785-FEK		R475	1-247-847-11	CARBON 4.7K	5% 1/4W
Q902	8-729-045-21	TRANSISTOR 2SD1513TP-LK		R476	1-247-847-11	CARBON 4.7K	5% 1/4W
Q903	8-729-119-79	TRANSISTOR 2SC2785-FEK		R477	1-247-879-11	CARBON 100K	5% 1/4W
Q904	8-729-140-97	TRANSISTOR 2SB734-34		R478	1-247-879-11	CARBON 100K	5% 1/4W
Q905	8-729-029-86	TRANSISTOR DTC124ESA (AEP)		R481	1-247-807-31	CARBON 100	5% 1/4W
Q906	8-729-029-86	TRANSISTOR DTC124ESA (AEP)		R482	1-247-807-31	CARBON 100	5% 1/4W
		< RESISTOR >		R484	1-247-807-31	CARBON 100	5% 1/4W
R401	1-247-847-11	CARBON 4.7K	5% 1/4W	R485	1-247-807-31	CARBON 100	5% 1/4W
R402	1-247-847-11	CARBON 4.7K	5% 1/4W	R602	1-249-439-11	CARBON 68K	5% 1/4W
R403	1-249-421-11	CARBON 2.2K	5% 1/4W	R603	1-249-439-11	CARBON 68K	5% 1/4W
R404	1-249-421-11	CARBON 2.2K	5% 1/4W	R604	1-247-831-11	CARBON 1K	5% 1/4W
R405	1-247-847-11	CARBON 4.7K	5% 1/4W	R605	1-247-831-11	CARBON 1K	5% 1/4W
R406	1-247-847-11	CARBON 4.7K	5% 1/4W	R606	1-247-879-11	CARBON 100K	5% 1/4W
R407	1-247-847-11	CARBON 4.7K	5% 1/4W	R652	1-249-439-11	CARBON 68K	5% 1/4W
R408	1-247-847-11	CARBON 4.7K	5% 1/4W	R653	1-249-439-11	CARBON 68K	5% 1/4W
R409	1-249-421-11	CARBON 2.2K	5% 1/4W	R654	1-247-831-11	CARBON 1K	5% 1/4W
R410	1-249-421-11	CARBON 2.2K	5% 1/4W	R655	1-247-831-11	CARBON 1K	5% 1/4W
R411	1-247-847-11	CARBON 4.7K	5% 1/4W	R656	1-247-879-11	CARBON 100K	5% 1/4W
R412	1-247-847-11	CARBON 4.7K	5% 1/4W	R697	1-247-879-11	CARBON 100K	5% 1/4W
R413	1-247-843-11	CARBON 3.3K	5% 1/4W	R701	1-249-421-11	CARBON 2.2K	5% 1/4W
R414	1-247-843-11	CARBON 3.3K	5% 1/4W	R702	1-249-440-11	CARBON 82K	5% 1/4W
R415	1-247-831-11	CARBON 1K	5% 1/4W	R703	1-249-414-11	CARBON 560	5% 1/4W
R416	1-247-871-11	CARBON 47K	5% 1/4W	R704	1-249-402-11	CARBON 56	5% 1/4W F
R421	1-247-871-11	CARBON 47K	5% 1/4W	R705	1-249-402-11	CARBON 56	5% 1/4W F
R422	1-247-863-11	CARBON 22K	5% 1/4W	R706	1-234-182-11	ENCAPSULATED COMPONENT 0.22X2	5W
R423	1-247-863-11	CARBON 22K	5% 1/4W	R707	1-247-847-11	CARBON 4.7K	5% 1/4W
R424	1-249-429-11	CARBON 10K	5% 1/4W	R708	1-240-855-81	CARBON 6.2K	5% 1/4W F
R425	1-247-847-11	CARBON 4.7K	5% 1/4W	R709	1-249-419-11	CARBON 1.5K	5% 1/4W
R426	1-247-847-11	CARBON 4.7K	5% 1/4W	R710	1-247-881-00	CARBON 120K	5% 1/4W
				R711	1-249-431-11	CARBON 15K	5% 1/4W
				R712	1-249-393-11	CARBON 10	5% 1/4W F
				R713	1-247-871-11	CARBON 47K	5% 1/4W
				R714	1-249-389-11	CARBON 4.7	5% 1/4W F
				R751	1-249-421-11	CARBON 2.2K	5% 1/4W
				R752	1-249-440-11	CARBON 82K	5% 1/4W
				R753	1-249-414-11	CARBON 560	5% 1/4W

STR-DE197

MAIN **POWER**

Ref. No.	Part No.	Description	Remark	Ref. No.	Part No.	Description	Remark
R754	1-249-402-11	CARBON	56 5% 1/4W F	R945	1-249-429-11	CARBON	10K 5% 1/4W (AEP)
R755	1-249-402-11	CARBON	56 5% 1/4W F	R946	1-249-429-11	CARBON	10K 5% 1/4W (AEP)
R756	1-234-182-11	ENCAPSULATED COMPONENT	0.22X2 5W	R947	1-249-429-11	CARBON	10K 5% 1/4W (AEP)
R757	1-247-847-11	CARBON	4.7K 5% 1/4W	RR701	1-249-393-11	CARBON	10 5% 1/4W F (AEP)
R758	1-240-855-81	CARBON	6.2K 5% 1/4W F	RR702	1-249-393-11	CARBON	10 5% 1/4W F (AEP)
R759	1-249-419-11	CARBON	1.5K 5% 1/4W	RR751	1-249-393-11	CARBON	10 5% 1/4W F (AEP)
R760	1-247-881-00	CARBON	120K 5% 1/4W	RR752	1-249-393-11	CARBON	10 5% 1/4W F (AEP)
R761	1-249-431-11	CARBON	15K 5% 1/4W			< RELAY >	
R762	1-249-393-11	CARBON	10 5% 1/4W F	RY781	1-755-416-12	RELAY	
R763	1-247-871-11	CARBON	47K 5% 1/4W	RY782	1-755-416-12	RELAY	
R764	1-249-389-11	CARBON	4.7 5% 1/4W F	RY783	1-755-416-12	RELAY	
R781	1-247-847-11	CARBON	4.7K 5% 1/4W	RY981	1-755-013-11	RELAY	
R782	1-247-847-11	CARBON	4.7K 5% 1/4W	△RY982	1-755-276-11	RELAY, POWER	
R783	1-247-847-11	CARBON	4.7K 5% 1/4W			< TRANSFORMER >	
R784	1-249-404-00	CARBON	82 5% 1/4W F	△T902	1-435-281-11	TRANSFORMER, POWER (US,CND)	
R785	1-249-404-00	CARBON	82 5% 1/4W F	△T902	1-435-282-11	TRANSFORMER, POWER (AEP)	
R786	1-247-847-11	CARBON	4.7K 5% 1/4W			< TERMINAL BOARD >	
R787	1-247-847-11	CARBON	4.7K 5% 1/4W	TM801	1-537-376-11	TERMINAL BOARD (8P) (SPEAKERS)	
R788	1-249-427-11	CARBON	6.8K 5% 1/4W			*****	
R789	1-247-871-11	CARBON	47K 5% 1/4W			POWER BOARD	
R790	1-247-831-11	CARBON	1K 5% 1/4W			*****	
R791	1-247-871-11	CARBON	47K 5% 1/4W			< CONNECTOR >	
△R792	1-215-891-11	METAL OXIDE	680 5% 2W F	CNP201	1-779-977-11	PIN, CONNECTOR 6P	
△R793	1-215-891-11	METAL OXIDE	680 5% 2W F			< DIODE >	
R794	1-249-429-11	CARBON	10K 5% 1/4W	D205	8-719-061-96	LED SLR-325DCT31 (SPEAKER A)	
R795	1-249-404-00	CARBON	82 5% 1/4W F	D206	8-719-061-96	LED SLR-325DCT31 (SPEAKER B)	
R901	1-247-847-11	CARBON	4.7K 5% 1/4W			< TRANSISTOR >	
R902	1-249-381-11	CARBON	1 5% 1/4W F	Q204	8-729-029-86	TRANSISTOR DTC124ESA	
△R903	1-219-237-11	SOLID	3.3M 20% 1/2W F (US,CND)	Q205	8-729-029-86	TRANSISTOR DTC124ESA	
R904	1-249-435-11	CARBON	33K 5% 1/4W			< RESISTOR >	
R905	1-247-863-11	CARBON	22K 5% 1/4W	R289	1-249-413-11	CARBON	470 5% 1/4W
R906	1-249-421-11	CARBON	2.2K 5% 1/4W	R290	1-249-413-11	CARBON	470 5% 1/4W
R907	1-249-428-11	CARBON	8.2K 5% 1/4W	R297	1-247-831-11	CARBON	1K 5% 1/4W
R908	1-249-422-11	CARBON	2.7K 5% 1/4W			< SWITCH >	
R909	1-249-431-11	CARBON	15K 5% 1/4W	S201	1-771-410-21	SWITCH, TACTILE (I/Ⓛ)	
R910	1-249-429-11	CARBON	10K 5% 1/4W	S202	1-771-410-21	SWITCH, TACTILE (SPEAKER A)	
R911	1-247-843-11	CARBON	3.3K 5% 1/4W	S203	1-771-410-21	SWITCH, TACTILE (SPEAKER B)	
R912	1-247-831-11	CARBON	1K 5% 1/4W			*****	
R913	1-249-404-00	CARBON	82 5% 1/4W F				
R914	1-247-847-11	CARBON	4.7K 5% 1/4W				
△R915	1-240-877-11	FUSIBLE	0.15 5% 1/2W F				
R916	1-249-389-11	CARBON	4.7 5% 1/4W F				
R917	1-249-429-11	CARBON	10K 5% 1/4W				
R918	1-247-831-11	CARBON	1K 5% 1/4W				
R919	1-247-871-11	CARBON	47K 5% 1/4W				
R920	1-247-871-11	CARBON	47K 5% 1/4W				
R923	1-249-429-11	CARBON	10K 5% 1/4W				
R926	1-247-791-11	CARBON	22 5% 1/4W				
R929	1-249-401-11	CARBON	47 5% 1/4W F				
R930	1-249-401-11	CARBON	47 5% 1/4W F				
R941	1-249-409-11	CARBON	220 5% 1/4W (AEP)				
R942	1-249-429-11	CARBON	10K 5% 1/4W (AEP)				
R943	1-249-419-11	CARBON	1.5K 5% 1/4W (AEP)				
R944	1-247-863-11	CARBON	22K 5% 1/4W (AEP)				

Ref. No.	Part No.	Description	Remark
		VOLUME BOARD *****	
		< CONNECTOR >	
CN202	1-750-195-11	CONNECTOR, BOARD TO BOARD 6P	
		< RESISTOR >	
R265	1-247-831-11	CARBON 1K 5%	1/4W
R266	1-249-421-11	CARBON 2.2K 5%	1/4W
R267	1-249-421-11	CARBON 2.2K 5%	1/4W
R268	1-247-847-11	CARBON 4.7K 5%	1/4W
R269	1-249-429-11	CARBON 10K 5%	1/4W
R270	1-247-863-11	CARBON 22K 5%	1/4W
		< ROTARY ENCODER >	
RV201	1-418-725-41	ENCODER, ROTARY (12 TYPE) (MASTER VOLUME)	
		< SWITCH >	
S224	1-771-410-21	SWITCH, TACTILE (BALANCE R)	
S225	1-771-410-21	SWITCH, TACTILE (TREBLE +)	
S226	1-771-410-21	SWITCH, TACTILE (BASS +)	
S227	1-771-410-21	SWITCH, TACTILE (BALANCE L)	
S228	1-771-410-21	SWITCH, TACTILE (TREBLE -)	
S229	1-771-410-21	SWITCH, TACTILE (BASS -)	

MEMO

STR-DE197

SONY®

SERVICE MANUAL

Ver. 1.4 2007. 03

US Model
Canadian Model
AEP Model

SUPPLEMENT-2

File this supplement with the service manual.

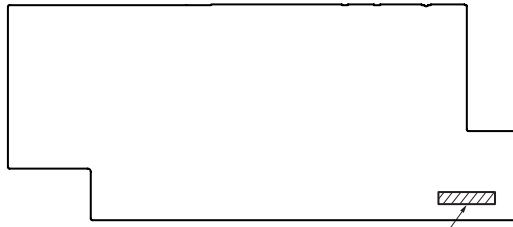
Subject: MAIN and DISPLAY boards change of US model.

Printed wiring board and schematic diagram of new type, and changed parts list are described in this Supplement-2.

When performing service and inspection, check the part number of the MAIN and DISPLAY boards.

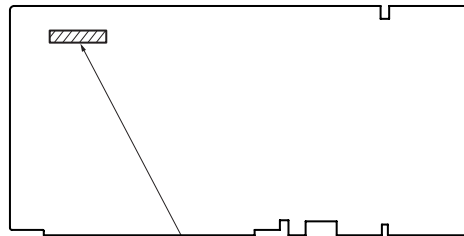
DISCRIMINATION

– MAIN BOARD (COMPONENT SIDE) –



MAIN BOARD Part No.
1-861-592-1[] : Service Manual
1-871-790-1[] : Supplement-1
1-861-592-2[] : Supplement-2

– DISPLAY BOARD (COMPONENT SIDE) –



DISPLAY BOARD Part No.
1-861-586-1[] : Service Manual
1-871-791-1[] : Supplement-1
1-861-586-2[] : Supplement-2

TABLE OF CONTENTS

1. Printed Wiring Boards –Main Section–	4
2. Schematic Diagram –Main Section (1/2)–	5
3. Schematic Diagram –Main Section (2/2)–	6
4. Printed Wiring Boards –Panel Section–	7
5. Schematic Diagram –Panel Section–	8
6. Electrical Parts List.....	9

THIS NOTE IS COMMON FOR PRINTED WIRING BOARDS AND SCHEMATIC DIAGRAMS.
(In addition to this, the necessary note is printed in each block.)

for schematic diagram:

- All capacitors are in μF unless otherwise noted. (p: pF)
- 50 W or less are not indicated except for electrolytics and tantalums.
- All resistors are in Ω and $1/4\text{ W}$ or less unless otherwise specified.
- Δ : internal component.
- $\text{---}\text{---}\text{---}$: nonflammable resistor.
- $\text{---}\text{---}\text{---}$: fusible resistor.
- $\text{---}\text{---}\text{---}$: panel designation.

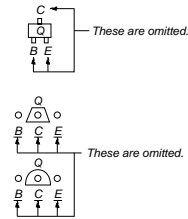
Note:
The components identified by mark Δ or dotted line with mark Δ are critical for safety. Replace only with part number specified.

Note:
Les composants identifiés par une marque Δ sont critiques pour la sécurité. Ne les remplacer que par une pièce portant le numéro spécifié.

- $\text{---}\text{---}\text{---}$: B+ Line.
- $\text{---}\text{---}\text{---}$: B- Line.
- Voltage and waveforms are dc with respect to ground under no-signal (detuned) conditions. no mark: FM
- Voltages are taken with a VOM (Input impedance 10 M Ω). Voltage variations may be noted due to normal production tolerances.
- Waveforms are taken with an oscilloscope. Voltage variations may be noted due to normal production tolerances.
- Circled numbers refer to waveforms.
- Signal path.
- $\text{---}\text{---}\text{---}$: TUNER (FM/AM)
- $\text{---}\text{---}\text{---}$: VIDEO (AUDIO)
- $\text{---}\text{---}\text{---}$: CD (ANALOG)
- (()): Page of Supplement-2.

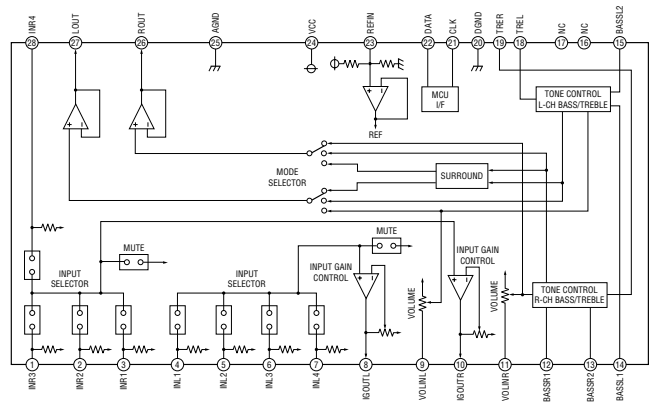
for printed wiring boards:

- $\text{---}\text{---}\text{---}$: parts extracted from the component side.
- Δ : internal component.
- $\text{---}\text{---}\text{---}$: Pattern from the side which enables seeing.
- (()): Page of Supplement-2.

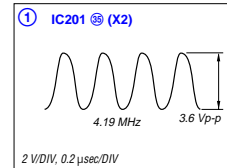


• IC Block Diagram

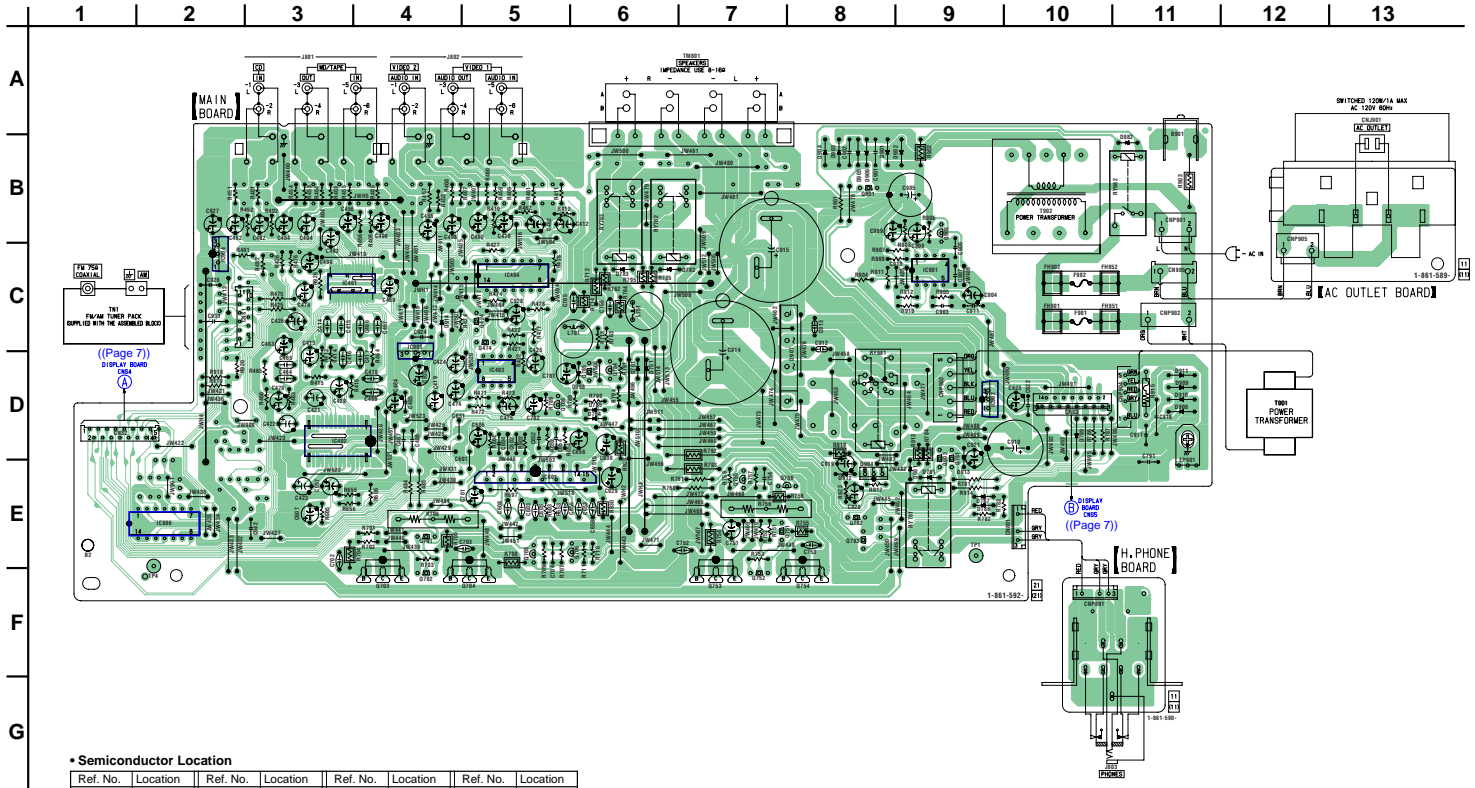
IC402 R2S15904SP



• Waveform



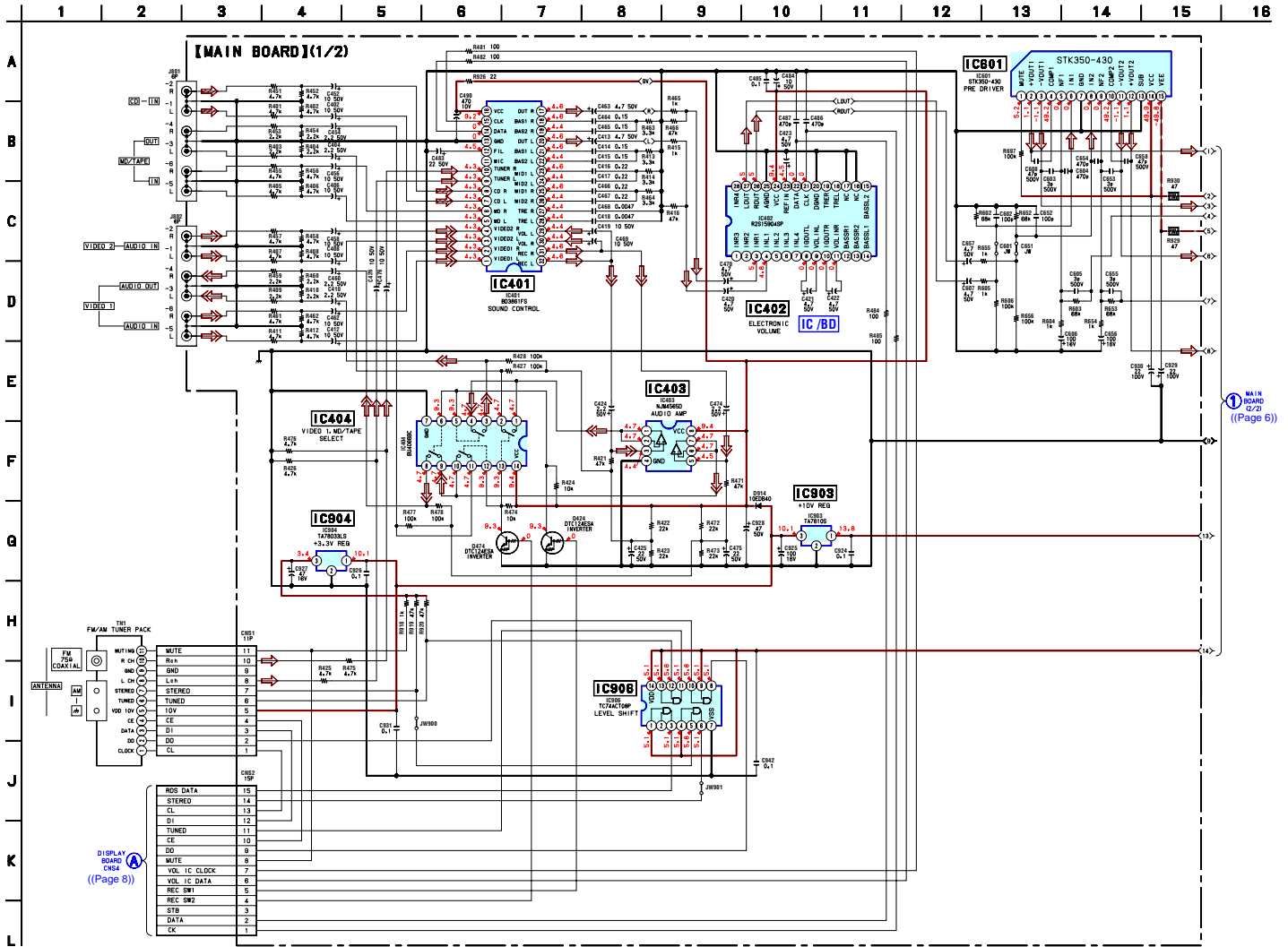
1. PRINTED WIRING BOARDS — MAIN SECTION — • Refer to page 13 of Service Manual for Circuit Boards Location. **LF**: Uses unleaded solder.



• Semiconductor Location

Ref. No.	Location	Ref. No.	Location	Ref. No.	Location	Ref. No.	Location
D701	D-6	D906	B-8	IC601	E-5	Q752	F-7
D751	D-6	D907	D-7	IC901	C-9	Q753	F-7
D781	E-9	D908	D-11	IC902	D-9	Q754	F-8
D782	C-6	D909	D-11	IC903	C-4	Q755	E-7
D783	C-6	D910	D-11	IC904	C-2	Q756	E-7
D784	D-6	D911	D-11	IC906	E-2	Q781	D-9
D785	D-6	D912	E-8			Q782	E-8
D786	E-9	D913	E-9	Q424	C-5	Q783	E-8
D787	E-9	D914	C-4	Q474	C-5	Q784	D-6
D788	D-6	D981	E-9	Q701	E-4	Q785	D-6
D789	D-10	D982	B-11	Q702	F-4	Q786	D-5
D901	B-8			Q703	F-4	Q901	B-8
D902	B-9	IC401	C-3	Q704	F-5	Q902	B-9
D903	B-8	IC402	D-3	Q705	E-5	Q903	D-9
D904	B-8	IC403	D-5	Q706	E-6	Q904	E-8
D905	B-8	IC404	C-5	Q751	E-7		

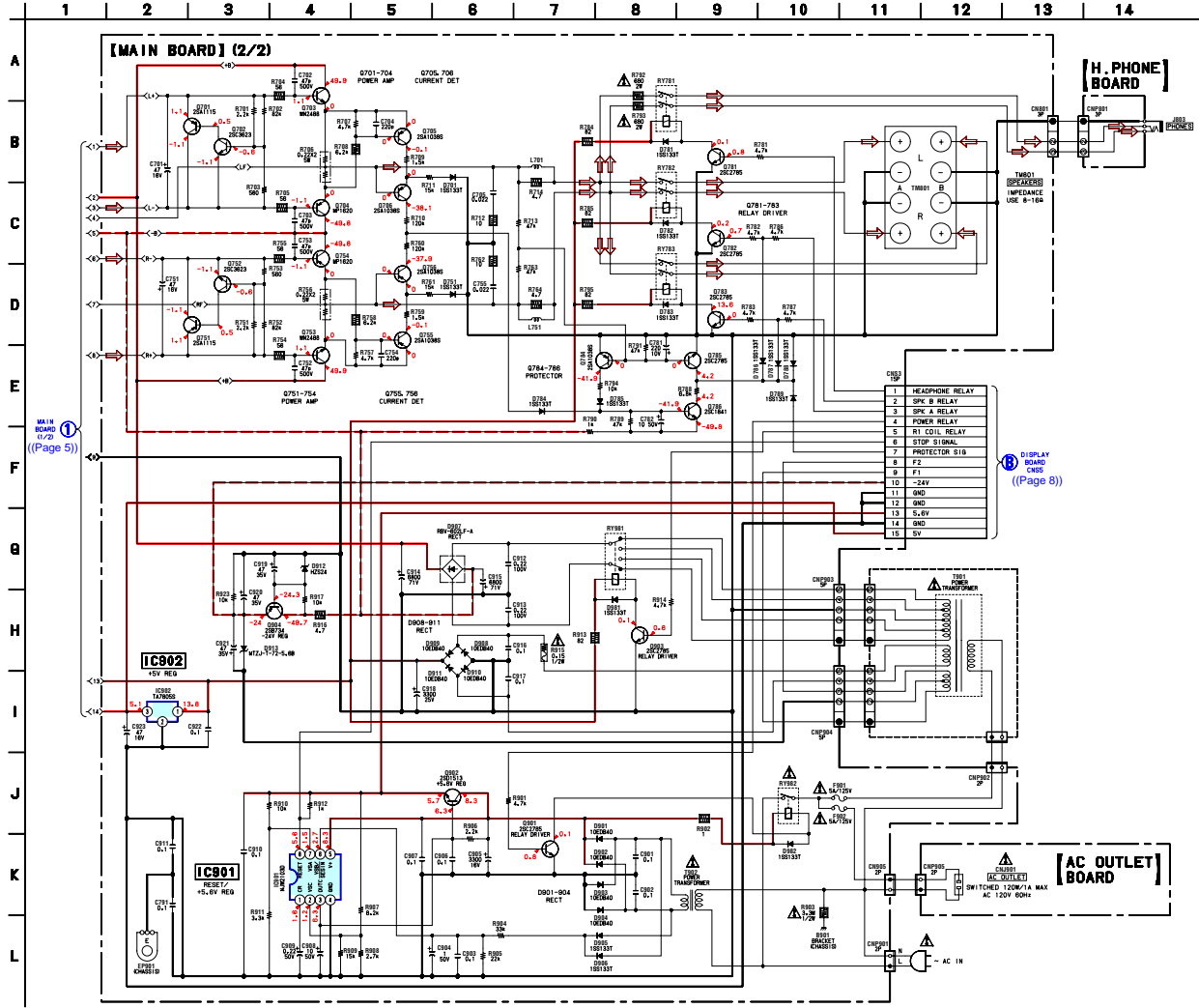
2. SCHEMATIC DIAGRAM — MAIN SECTION (1/2) — • Refer to page 3 of Supplement-2 for IC Block Diagram.




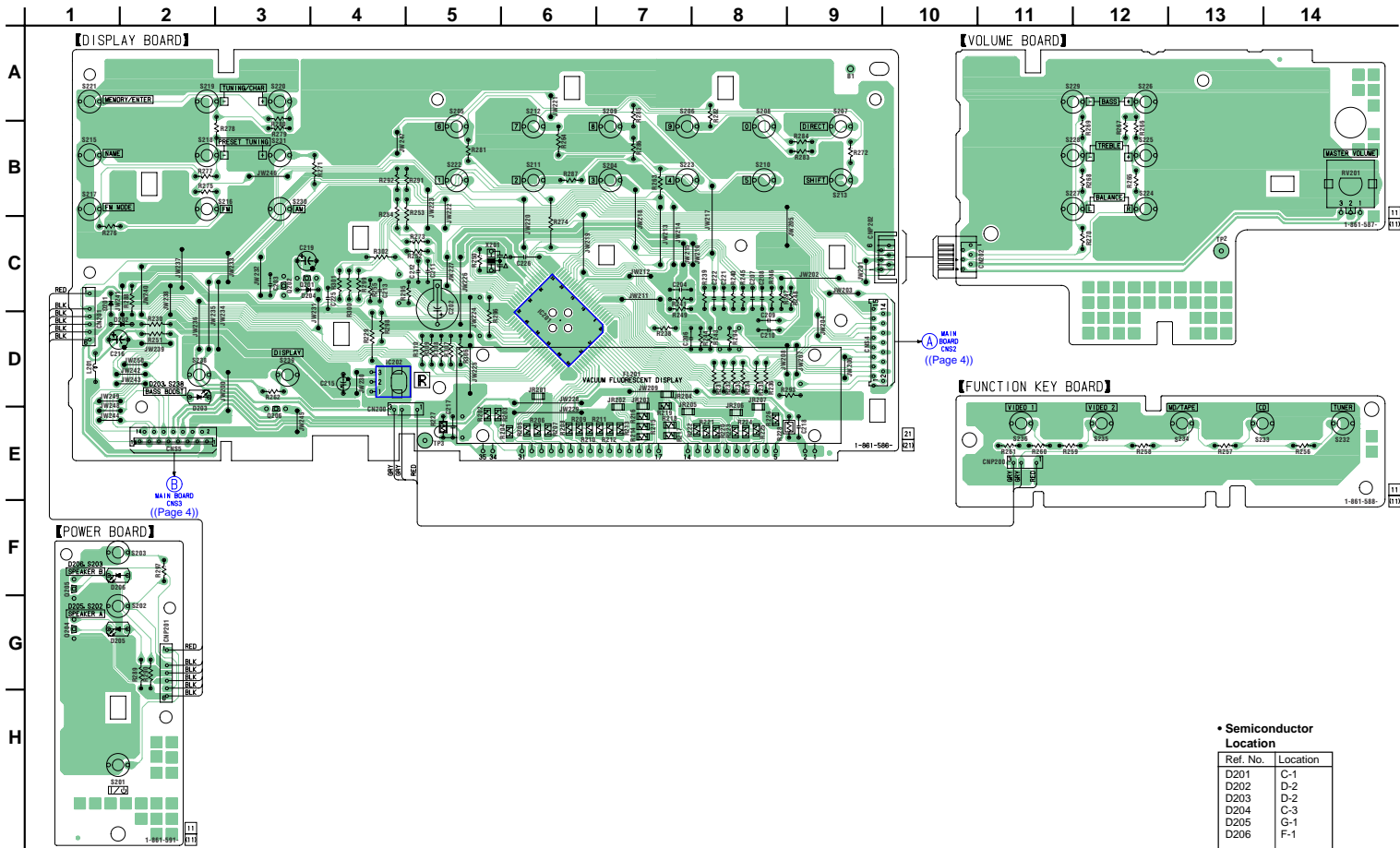
MAIN BOARD CHNL ((Page 6))

DISPLAY BOARD CHNL ((Page 8))

3. SCHEMATIC DIAGRAM — MAIN SECTION (2/2) —



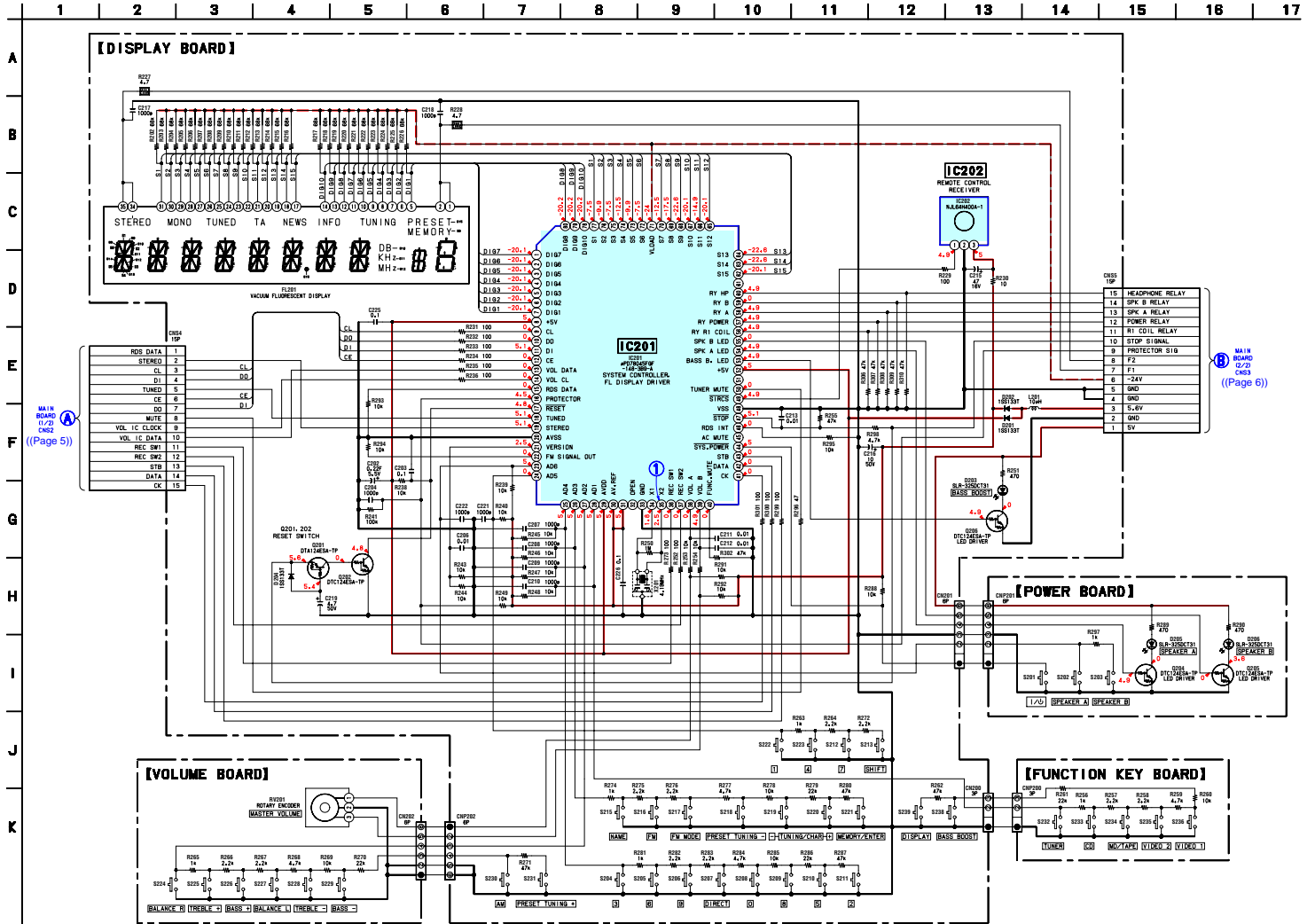
4. PRINTED WIRING BOARDS — PANEL SECTION — • Refer to page 13 of Service Manual for Circuit Boards Location.  : Uses unleaded solder.



• Semiconductor Location

Ref. No.	Location
D201	C-1
D202	D-2
D203	D-2
D204	C-3
D205	G-1
D206	F-1
IC201	D-6
IC202	D-4
Q201	C-3
Q202	C-3
Q204	G-1
Q205	F-1
Q206	E-3

5. SCHEMATIC DIAGRAM — PANEL SECTION — • Refer to page 3 of Supplement-2 for Waveform.



6. ELECTRICAL PARTS LIST

NOTE:

- Due to standardization, replacements in the parts list may be different from the parts specified in the diagrams or the components used on the set.
- -XX and -X mean standardized parts, so they may have some difference from the original one.
- RESISTORS
All resistors are in ohms.
METAL: Metal-film resistor.
METAL OXIDE: Metal oxide-film resistor.
F: nonflammable
- Items marked "*" are not stocked since they are seldom required for routine service. Some delay should be anticipated when ordering these items.
- SEMICONDUCTORS
In each case, u : μ , for example:
uA.. : μ A.. uPA.. : μ PA..
uPB.. : μ PB.. uPC.. : μ PC.. uPD.. : μ PD..
- CAPACITORS
uF : μ F
- COILS
uH : μ H

The components identified by mark Δ or dotted line with mark Δ are critical for safety. Replace only with part number specified.

Les composants identifiés par une marque Δ sont critiques pour la sécurité. Ne les remplacer que par une pièce portant le numéro spécifié.

When indicating parts by reference number, please include the board.

Ref. No.	Part No.	Description	Remark	Ref. No.	Part No.	Description	Remark
	A-1242-213-A	DISPLAY BOARD, COMPLETE *****				< JUMPER RESISTOR >	
*	4-921-941-01	CUSHION (FL)		JR201	1-216-296-11	SHORT CHIP 0	
*	4-943-107-11	HOLDER (FL TUBE)		JR202	1-216-296-11	SHORT CHIP 0	
		< CAPACITOR >		JR203	1-216-296-11	SHORT CHIP 0	
C202	1-104-905-11	DOUBLE LAYERS 0.22F	5.5V	JR204	1-216-296-11	SHORT CHIP 0	
C203	1-164-159-11	CERAMIC 0.1uF	50V	JR205	1-216-296-11	SHORT CHIP 0	
C204	1-128-821-11	CERAMIC 0.001uF	5% 50V	JR206	1-216-296-11	SHORT CHIP 0	
C206	1-127-876-11	CERAMIC 0.01uF	10% 50V	JR207	1-216-296-11	SHORT CHIP 0	
C207	1-128-821-11	CERAMIC 0.001uF	5% 50V			< COIL >	
C208	1-128-821-11	CERAMIC 0.001uF	5% 50V	L201	1-410-509-11	INDUCTOR 10uH	
C209	1-128-821-11	CERAMIC 0.001uF	5% 50V			< TRANSISTOR >	
C210	1-128-821-11	CERAMIC 0.001uF	5% 50V	Q201	8-729-029-40	TRANSISTOR DTA124ESA	
C211	1-127-876-11	CERAMIC 0.01uF	10% 50V	Q202	8-729-029-86	TRANSISTOR DTC124ESA	
C212	1-127-876-11	CERAMIC 0.01uF	10% 50V	Q206	8-729-029-86	TRANSISTOR DTC124ESA	
C213	1-127-876-11	CERAMIC 0.01uF	10% 50V			< RESISTOR >	
C215	1-126-947-11	ELECT 47uF	20% 35V	R202	1-216-242-00	RES-CHIP 68K 5% 1/8W	
C216	1-126-795-11	ELECT 10uF	20% 50V	R203	1-216-242-00	RES-CHIP 68K 5% 1/8W	
C217	1-128-821-11	CERAMIC 0.001uF	5% 50V	R204	1-216-242-00	RES-CHIP 68K 5% 1/8W	
C218	1-128-821-11	CERAMIC 0.001uF	5% 50V	R205	1-216-242-00	RES-CHIP 68K 5% 1/8W	
C219	1-126-794-11	ELECT 4.7uF	20% 50V	R206	1-216-242-00	RES-CHIP 68K 5% 1/8W	
C221	1-128-821-11	CERAMIC 0.001uF	5% 50V	R207	1-216-242-00	RES-CHIP 68K 5% 1/8W	
C222	1-128-821-11	CERAMIC 0.001uF	5% 50V	R208	1-216-242-00	RES-CHIP 68K 5% 1/8W	
C225	1-164-159-11	CERAMIC 0.1uF	50V	R209	1-216-242-00	RES-CHIP 68K 5% 1/8W	
C226	1-164-159-11	CERAMIC 0.1uF	50V	R210	1-216-242-00	RES-CHIP 68K 5% 1/8W	
		< CONNECTOR >		R211	1-216-242-00	RES-CHIP 68K 5% 1/8W	
CNP202	1-750-186-11	CONNECTOR, BOARD TO BOARD 6P		R212	1-216-242-00	RES-CHIP 68K 5% 1/8W	
CNS4	1-784-776-11	CONNECTOR, FFC 15P		R213	1-216-242-00	RES-CHIP 68K 5% 1/8W	
CNS5	1-784-776-11	CONNECTOR, FFC 15P		R214	1-216-242-00	RES-CHIP 68K 5% 1/8W	
		< DIODE >		R215	1-216-242-00	RES-CHIP 68K 5% 1/8W	
D201	8-719-991-33	DIODE 1SS133T-77		R216	1-216-242-00	RES-CHIP 68K 5% 1/8W	
D202	8-719-991-33	DIODE 1SS133T-77		R217	1-216-242-00	RES-CHIP 68K 5% 1/8W	
D203	8-719-061-96	LED SLR-325DCT31 (BASS BOOST)		R218	1-216-242-00	RES-CHIP 68K 5% 1/8W	
D204	8-719-991-33	DIODE 1SS133T-77		R219	1-216-242-00	RES-CHIP 68K 5% 1/8W	
		< VACUUM FLUORESCENT DISPLAY >		R220	1-216-242-00	RES-CHIP 68K 5% 1/8W	
FL201	1-518-970-11	VACUUM FLUORESCENT DISPLAY		R221	1-216-242-00	RES-CHIP 68K 5% 1/8W	
		< IC >		R222	1-216-242-00	RES-CHIP 68K 5% 1/8W	
IC201	6-806-993-01	IC uPD78045FGF-148-3B9-A		R223	1-216-242-00	RES-CHIP 68K 5% 1/8W	
IC202	8-759-827-70	IC NJL64H400A-1 (IR)		R224	1-216-242-00	RES-CHIP 68K 5% 1/8W	
				R225	1-216-242-00	RES-CHIP 68K 5% 1/8W	
				R226	1-216-242-00	RES-CHIP 68K 5% 1/8W	

STR-DE197

DISPLAY **MAIN**

Ref. No.	Part No.	Description	Remark	Ref. No.	Part No.	Description	Remark	
R227	1-249-389-11	CARBON	4.7 5%	1/4W F	R302	1-247-871-11	CARBON 47K 5%	1/4W
R228	1-249-389-11	CARBON	4.7 5%	1/4W F	R306	1-247-871-11	CARBON 47K 5%	1/4W
R229	1-247-807-31	CARBON	100 5%	1/4W	R307	1-247-871-11	CARBON 47K 5%	1/4W
R230	1-249-393-11	CARBON	10 5%	1/4W F	R308	1-247-871-11	CARBON 47K 5%	1/4W
R231	1-247-807-31	CARBON	100 5%	1/4W	R309	1-247-871-11	CARBON 47K 5%	1/4W
R232	1-247-807-31	CARBON	100 5%	1/4W	R310	1-247-871-11	CARBON 47K 5%	1/4W
R233	1-247-807-31	CARBON	100 5%	1/4W			< SWITCH >	
R234	1-247-807-31	CARBON	100 5%	1/4W	S204	1-771-410-21	SWITCH, TACTILE (3)	
R235	1-247-807-31	CARBON	100 5%	1/4W	S205	1-771-410-21	SWITCH, TACTILE (6)	
R236	1-247-807-31	CARBON	100 5%	1/4W	S206	1-771-410-21	SWITCH, TACTILE (9)	
R238	1-249-429-11	CARBON	10K 5%	1/4W	S207	1-771-410-21	SWITCH, TACTILE (DIRECT)	
R239	1-249-429-11	CARBON	10K 5%	1/4W	S208	1-771-410-21	SWITCH, TACTILE (0)	
R240	1-249-429-11	CARBON	10K 5%	1/4W	S209	1-771-410-21	SWITCH, TACTILE (8)	
R241	1-247-879-11	CARBON	100K 5%	1/4W	S210	1-771-410-21	SWITCH, TACTILE (5)	
R243	1-249-429-11	CARBON	10K 5%	1/4W	S211	1-771-410-21	SWITCH, TACTILE (2)	
R244	1-249-429-11	CARBON	10K 5%	1/4W	S212	1-771-410-21	SWITCH, TACTILE (7)	
R245	1-249-429-11	CARBON	10K 5%	1/4W	S213	1-771-410-21	SWITCH, TACTILE (SHIFT)	
R246	1-249-429-11	CARBON	10K 5%	1/4W	S215	1-771-410-21	SWITCH, TACTILE (NAME)	
R247	1-249-429-11	CARBON	10K 5%	1/4W	S216	1-771-410-21	SWITCH, TACTILE (FM)	
R248	1-249-429-11	CARBON	10K 5%	1/4W	S217	1-771-410-21	SWITCH, TACTILE (FM MODE)	
R249	1-249-429-11	CARBON	10K 5%	1/4W	S218	1-771-410-21	SWITCH, TACTILE (PRESET TUNING -)	
R250	1-247-903-00	CARBON	1M 5%	1/4W	S219	1-771-410-21	SWITCH, TACTILE (TUNING/CHAR -)	
R251	1-249-413-11	CARBON	470 5%	1/4W	S220	1-771-410-21	SWITCH, TACTILE (TUNING/CHAR +)	
R252	1-247-807-31	CARBON	100 5%	1/4W	S221	1-771-410-21	SWITCH, TACTILE (MEMORY/ENTER)	
R253	1-249-429-11	CARBON	10K 5%	1/4W	S222	1-771-410-21	SWITCH, TACTILE (1)	
R254	1-249-429-11	CARBON	10K 5%	1/4W	S223	1-771-410-21	SWITCH, TACTILE (4)	
R255	1-247-871-11	CARBON	47K 5%	1/4W	S230	1-771-410-21	SWITCH, TACTILE (AM)	
R262	1-247-871-11	CARBON	47K 5%	1/4W	S231	1-771-410-21	SWITCH, TACTILE (PRESET TUNING +)	
R263	1-247-831-11	CARBON	1K 5%	1/4W	S238	1-771-410-21	SWITCH, TACTILE (BASS BOOST)	
R264	1-249-421-11	CARBON	2.2K 5%	1/4W	S239	1-771-410-21	SWITCH, TACTILE (DISPLAY)	
R271	1-247-871-11	CARBON	47K 5%	1/4W			< VIBRATOR >	
R272	1-249-421-11	CARBON	2.2K 5%	1/4W	X201	1-795-736-21	VIBRATOR, CERAMIC (4.19MHz)	
R273	1-247-807-31	CARBON	100 5%	1/4W	*****			
R274	1-247-831-11	CARBON	1K 5%	1/4W	A-1242-216-A	MAIN BOARD, COMPLETE		
R275	1-249-421-11	CARBON	2.2K 5%	1/4W		*****		
R276	1-249-421-11	CARBON	2.2K 5%	1/4W	1-533-217-41	HOLDER, FUSE		
R277	1-247-847-11	CARBON	4.7K 5%	1/4W		< CAPACITOR >		
R278	1-249-429-11	CARBON	10K 5%	1/4W	C402	1-126-964-11	ELECT 10uF 20%	50V
R279	1-247-863-11	CARBON	22K 5%	1/4W	C404	1-126-961-11	ELECT 2.2uF 20%	50V
R280	1-247-871-11	CARBON	47K 5%	1/4W	C406	1-126-964-11	ELECT 10uF 20%	50V
R281	1-247-831-11	CARBON	1K 5%	1/4W	C408	1-126-964-11	ELECT 10uF 20%	50V
R282	1-249-421-11	CARBON	2.2K 5%	1/4W	C410	1-126-961-11	ELECT 2.2uF 20%	50V
R283	1-249-421-11	CARBON	2.2K 5%	1/4W	C412	1-126-964-11	ELECT 10uF 20%	50V
R284	1-247-847-11	CARBON	4.7K 5%	1/4W	C413	1-126-963-11	ELECT 4.7uF 20%	50V
R285	1-249-429-11	CARBON	10K 5%	1/4W	C414	1-136-167-00	FILM 0.15uF 5%	50V
R286	1-247-863-11	CARBON	22K 5%	1/4W	C415	1-136-167-00	FILM 0.15uF 5%	50V
R287	1-247-871-11	CARBON	47K 5%	1/4W	C416	1-137-190-11	FILM 0.22uF 5%	50V
R288	1-249-429-11	CARBON	10K 5%	1/4W	C417	1-137-190-11	FILM 0.22uF 5%	50V
R291	1-249-429-11	CARBON	10K 5%	1/4W	C418	1-136-287-11	FILM 0.0047uF 5%	100V
R292	1-249-429-11	CARBON	10K 5%	1/4W	C419	1-126-964-11	ELECT 10uF 20%	50V
R293	1-249-429-11	CARBON	10K 5%	1/4W	C420	1-126-963-11	ELECT 4.7uF 20%	50V
R294	1-249-429-11	CARBON	10K 5%	1/4W	C421	1-126-963-11	ELECT 4.7uF 20%	50V
R295	1-249-429-11	CARBON	10K 5%	1/4W	C422	1-126-963-11	ELECT 4.7uF 20%	50V
R296	1-249-401-11	CARBON	47 5%	1/4W				
R298	1-247-847-11	CARBON	4.7K 5%	1/4W				
R299	1-247-807-31	CARBON	100 5%	1/4W				
R300	1-247-807-31	CARBON	100 5%	1/4W				
R301	1-247-807-31	CARBON	100 5%	1/4W				

Ref. No.	Part No.	Description	Remark	Ref. No.	Part No.	Description	Remark
C423	1-126-963-11	ELECT	4.7uF 20% 50V	C905	1-126-936-11	ELECT	3300uF 20% 16V
C424	1-126-961-11	ELECT	2.2uF 20% 50V	C906	1-164-159-11	CERAMIC	0.1uF 50V
C425	1-126-965-11	ELECT	22uF 20% 50V	C907	1-164-159-11	CERAMIC	0.1uF 50V
C426	1-126-964-11	ELECT	10uF 20% 50V	C908	1-126-964-11	ELECT	10uF 20% 50V
C452	1-126-964-11	ELECT	10uF 20% 50V	C909	1-126-957-11	ELECT	0.22uF 20% 50V
C454	1-126-961-11	ELECT	2.2uF 20% 50V	C910	1-164-159-11	CERAMIC	0.1uF 50V
C456	1-126-964-11	ELECT	10uF 20% 50V	C911	1-164-159-11	CERAMIC	0.1uF 50V
C458	1-126-964-11	ELECT	10uF 20% 50V	C912	1-135-851-21	MYLAR	0.22uF 100V
C460	1-126-961-11	ELECT	2.2uF 20% 50V	C913	1-135-851-21	MYLAR	0.22uF 100V
C462	1-126-964-11	ELECT	10uF 20% 50V	C914	1-165-946-11	ELECT	6800uF 20% 71V
C463	1-126-963-11	ELECT	4.7uF 20% 50V	C915	1-165-946-11	ELECT	6800uF 20% 71V
C464	1-136-167-00	FILM	0.15uF 5% 50V	C916	1-164-159-11	CERAMIC	0.1uF 50V
C465	1-136-167-00	FILM	0.15uF 5% 50V	C917	1-164-159-11	CERAMIC	0.1uF 50V
C466	1-137-190-11	FILM	0.22uF 5% 50V	C918	1-126-944-11	ELECT	3300uF 20% 25V
C467	1-137-190-11	FILM	0.22uF 5% 50V	C919	1-126-947-11	ELECT	47uF 20% 35V
C468	1-136-287-11	FILM	0.0047uF 5% 100V	C920	1-126-947-11	ELECT	47uF 20% 35V
C469	1-126-964-11	ELECT	10uF 20% 50V	C921	1-126-947-11	ELECT	47uF 20% 35V
C470	1-126-963-11	ELECT	4.7uF 20% 50V	C922	1-127-888-11	CERAMIC	0.1uF 10% 50V
C474	1-126-961-11	ELECT	2.2uF 20% 50V	C923	1-126-947-11	ELECT	47uF 20% 35V
C475	1-126-965-11	ELECT	22uF 20% 50V	C924	1-127-888-11	CERAMIC	0.1uF 10% 50V
C476	1-126-964-11	ELECT	10uF 20% 50V	C925	1-126-933-11	ELECT	100uF 20% 16V
C483	1-126-965-11	ELECT	22uF 20% 50V	C926	1-127-888-11	CERAMIC	0.1uF 10% 50V
C484	1-126-964-11	ELECT	10uF 20% 50V	C927	1-126-947-11	ELECT	47uF 20% 35V
C485	1-164-159-11	CERAMIC	0.1uF 50V	C928	1-126-967-11	ELECT	47uF 20% 50V
C486	1-128-817-11	CERAMIC	470PF 5% 50V	C929	1-128-560-11	ELECT	22uF 20% 100V
C487	1-128-817-11	CERAMIC	470PF 5% 50V	C930	1-128-560-11	ELECT	22uF 20% 100V
C490	1-126-925-11	ELECT	470uF 20% 10V	C931	1-164-159-11	CERAMIC	0.1uF 50V
C602	1-128-809-11	CERAMIC	100PF 5% 50V	C942	1-164-159-11	CERAMIC	0.1uF 50V
C603	1-107-583-11	CERAMIC	3PF 0.25PF 500V			< CONNECTOR >	
C604	1-128-817-11	CERAMIC	470PF 5% 50V	CNP901	1-564-321-00	PIN, CONNECTOR (3.96mm PITCH) 2P	
C605	1-107-583-11	CERAMIC	3PF 0.25PF 500V	* CNP902	1-565-792-11	PIN, CONNECTOR (3.96mm PITCH) 2P	
C606	1-126-933-11	ELECT	100uF 20% 16V	* CNP903	1-564-242-00	PIN, CONNECTOR (3.96mm PITCH) 5P	
C607	1-126-963-11	ELECT	4.7uF 20% 50V	CNP904	1-691-767-11	PLUG (MICRO CONNECTOR) 5P	
C608	1-162-815-11	CERAMIC	47PF 5% 500V	CNS1	1-568-830-11	CONNECTOR, FFC 11P	
C652	1-128-809-11	CERAMIC	100PF 5% 50V	CNS2	1-784-776-11	CONNECTOR, FFC 15P	
C653	1-107-583-11	CERAMIC	3PF 0.25PF 500V	CNS3	1-784-776-11	CONNECTOR, FFC 15P	
C654	1-128-817-11	CERAMIC	470PF 5% 50V			< DIODE >	
C655	1-107-583-11	CERAMIC	3PF 0.25PF 500V	D701	8-719-991-33	DIODE 1SS133T-77	
C656	1-126-933-11	ELECT	100uF 20% 16V	D751	8-719-991-33	DIODE 1SS133T-77	
C657	1-126-963-11	ELECT	4.7uF 20% 50V	D781	8-719-991-33	DIODE 1SS133T-77	
C658	1-162-815-11	CERAMIC	47PF 5% 500V	D782	8-719-991-33	DIODE 1SS133T-77	
C701	1-126-947-11	ELECT	47uF 20% 35V	D783	8-719-991-33	DIODE 1SS133T-77	
C702	1-162-815-11	CERAMIC	47PF 5% 500V	D784	8-719-991-33	DIODE 1SS133T-77	
C703	1-162-815-11	CERAMIC	47PF 5% 500V	D785	8-719-991-33	DIODE 1SS133T-77	
C704	1-128-813-11	CERAMIC	220PF 5% 50V	D786	8-719-991-33	DIODE 1SS133T-77	
C705	1-137-372-11	MYLAR	0.022uF 5% 50V	D787	8-719-991-33	DIODE 1SS133T-77	
C751	1-126-947-11	ELECT	47uF 20% 35V	D788	8-719-991-33	DIODE 1SS133T-77	
C752	1-162-815-11	CERAMIC	47PF 5% 500V	D789	8-719-991-33	DIODE 1SS133T-77	
C753	1-162-815-11	CERAMIC	47PF 5% 500V	D901	6-500-522-11	DIODE 10EDB40-TA2B5	
C754	1-128-813-11	CERAMIC	220PF 5% 50V	D902	6-500-522-11	DIODE 10EDB40-TA2B5	
C755	1-137-372-11	MYLAR	0.022uF 5% 50V	D903	6-500-522-11	DIODE 10EDB40-TA2B5	
C781	1-126-923-11	ELECT	220uF 20% 10V	D904	6-500-522-11	DIODE 10EDB40-TA2B5	
C782	1-126-964-11	ELECT	10uF 20% 50V	D905	8-719-991-33	DIODE 1SS133T-77	
C791	1-164-159-11	CERAMIC	0.1uF 50V	D906	8-719-991-33	DIODE 1SS133T-77	
C901	1-164-159-11	CERAMIC	0.1uF 50V	D907	8-719-072-05	DIODE RBV-602LF-A	
C902	1-164-159-11	CERAMIC	0.1uF 50V	D908	6-500-522-11	DIODE 10EDB40-TA2B5	
C903	1-164-159-11	CERAMIC	0.1uF 50V				
C904	1-126-960-11	ELECT	1uF 20% 50V				

STR-DE197

MAIN

Ref. No.	Part No.	Description	Remark	Ref. No.	Part No.	Description	Remark
D909	6-500-522-11	DIODE 10EDB40-TA2B5		R402	1-247-847-11	CARBON 4.7K 5%	1/4W
D910	6-500-522-11	DIODE 10EDB40-TA2B5		R403	1-249-421-11	CARBON 2.2K 5%	1/4W
D911	6-500-522-11	DIODE 10EDB40-TA2B5		R404	1-249-421-11	CARBON 2.2K 5%	1/4W
D912	8-719-986-54	DIODE HZS24-1LTA		R405	1-247-847-11	CARBON 4.7K 5%	1/4W
D913	8-719-109-89	DIODE RD5.6ESB2		R406	1-247-847-11	CARBON 4.7K 5%	1/4W
D914	6-500-522-11	DIODE 10EDB40-TA2B5		R407	1-247-847-11	CARBON 4.7K 5%	1/4W
D981	8-719-991-33	DIODE 1SS133T-77		R408	1-247-847-11	CARBON 4.7K 5%	1/4W
D982	8-719-991-33	DIODE 1SS133T-77		R409	1-249-421-11	CARBON 2.2K 5%	1/4W
		< EARTH TERMINAL >		R410	1-249-421-11	CARBON 2.2K 5%	1/4W
* EP901	1-537-738-21	TERMINAL, EARTH		R411	1-247-847-11	CARBON 4.7K 5%	1/4W
		< IC >		R412	1-247-847-11	CARBON 4.7K 5%	1/4W
IC401	6-700-261-01	IC BD3861FS		R413	1-247-843-11	CARBON 3.3K 5%	1/4W
IC402	6-710-289-01	IC R2S15904SP		R414	1-247-843-11	CARBON 3.3K 5%	1/4W
IC403	8-759-167-88	IC NJM4565D		R415	1-247-831-11	CARBON 1K 5%	1/4W
IC404	8-759-932-33	IC BU4066BC		R416	1-247-871-11	CARBON 47K 5%	1/4W
IC601	6-705-630-01	IC STK350-430		R421	1-247-871-11	CARBON 47K 5%	1/4W
IC901	8-759-333-83	IC NJM2103D		R422	1-247-863-11	CARBON 22K 5%	1/4W
IC902	8-759-231-53	IC TA7805S		R423	1-247-863-11	CARBON 22K 5%	1/4W
IC903	8-759-231-57	IC TA7810S		R424	1-249-429-11	CARBON 10K 5%	1/4W
IC904	6-702-771-01	IC TA78033LS		R425	1-247-847-11	CARBON 4.7K 5%	1/4W
IC906	8-759-243-51	IC TC74ACT08P		R426	1-247-847-11	CARBON 4.7K 5%	1/4W
		< JACK >		R427	1-247-879-11	CARBON 100K 5%	1/4W
J801	1-774-411-11	JACK, PIN 6P (CD IN,MD/TAPE OUT, MD/TAPE IN)		R428	1-247-879-11	CARBON 100K 5%	1/4W
J802	1-774-411-11	JACK, PIN 6P (VIDEO 2 AUDIO IN, VIDEO 1 AUDIO OUT/AUDIO IN)		R451	1-247-847-11	CARBON 4.7K 5%	1/4W
		< COIL >		R452	1-247-847-11	CARBON 4.7K 5%	1/4W
L701	1-420-872-52	COIL, AIR-CORE		R453	1-249-421-11	CARBON 2.2K 5%	1/4W
L751	1-420-872-52	COIL, AIR-CORE		R454	1-249-421-11	CARBON 2.2K 5%	1/4W
		< TRANSISTOR >		R455	1-247-847-11	CARBON 4.7K 5%	1/4W
Q424	8-729-029-86	TRANSISTOR DTC124ESA		R456	1-247-847-11	CARBON 4.7K 5%	1/4W
Q474	8-729-029-86	TRANSISTOR DTC124ESA		R457	1-247-847-11	CARBON 4.7K 5%	1/4W
Q701	8-729-119-76	TRANSISTOR 2SA1175-HFE		R458	1-247-847-11	CARBON 4.7K 5%	1/4W
Q702	8-729-141-30	TRANSISTOR 2SC3623A-LK		R459	1-249-421-11	CARBON 2.2K 5%	1/4W
Q705	8-729-042-09	TRANSISTOR 2SA1038S-RSE-TP		R460	1-249-421-11	CARBON 2.2K 5%	1/4W
Q706	8-729-042-09	TRANSISTOR 2SA1038S-RSE-TP		R461	1-247-847-11	CARBON 4.7K 5%	1/4W
Q751	8-729-119-76	TRANSISTOR 2SA1175-HFE		R462	1-247-847-11	CARBON 4.7K 5%	1/4W
Q752	8-729-141-30	TRANSISTOR 2SC3623A-LK		R463	1-247-843-11	CARBON 3.3K 5%	1/4W
Q755	8-729-042-09	TRANSISTOR 2SA1038S-RSE-TP		R464	1-247-843-11	CARBON 3.3K 5%	1/4W
Q756	8-729-042-09	TRANSISTOR 2SA1038S-RSE-TP		R465	1-247-831-11	CARBON 1K 5%	1/4W
Q781	8-729-119-79	TRANSISTOR 2SC2785-FEK		R466	1-247-871-11	CARBON 47K 5%	1/4W
Q782	8-729-119-79	TRANSISTOR 2SC2785-FEK		R471	1-247-871-11	CARBON 47K 5%	1/4W
Q783	8-729-119-79	TRANSISTOR 2SC2785-FEK		R472	1-247-863-11	CARBON 22K 5%	1/4W
Q784	8-729-042-09	TRANSISTOR 2SA1038S-RSE-TP		R473	1-247-863-11	CARBON 22K 5%	1/4W
Q785	8-729-119-79	TRANSISTOR 2SC2785-FEK		R474	1-249-429-11	CARBON 10K 5%	1/4W
Q786	8-729-140-84	TRANSISTOR 2SC1841-PAFAEA		R475	1-247-847-11	CARBON 4.7K 5%	1/4W
Q901	8-729-119-79	TRANSISTOR 2SC2785-FEK		R476	1-247-847-11	CARBON 4.7K 5%	1/4W
Q902	8-729-045-21	TRANSISTOR 2SD1513TP-LK		R477	1-247-879-11	CARBON 100K 5%	1/4W
Q903	8-729-119-79	TRANSISTOR 2SC2785-FEK		R478	1-247-879-11	CARBON 100K 5%	1/4W
Q904	8-729-140-97	TRANSISTOR 2SB734-34		R481	1-247-807-31	CARBON 100 5%	1/4W
		< RESISTOR >		R482	1-247-807-31	CARBON 100 5%	1/4W
R401	1-247-847-11	CARBON 4.7K 5%	1/4W	R484	1-247-807-31	CARBON 100 5%	1/4W
				R485	1-247-807-31	CARBON 100 5%	1/4W
				R602	1-249-439-11	CARBON 68K 5%	1/4W
				R603	1-249-439-11	CARBON 68K 5%	1/4W
				R604	1-247-831-11	CARBON 1K 5%	1/4W
				R605	1-247-831-11	CARBON 1K 5%	1/4W
				R606	1-247-879-11	CARBON 100K 5%	1/4W
				R652	1-249-439-11	CARBON 68K 5%	1/4W
				R653	1-249-439-11	CARBON 68K 5%	1/4W

Ref. No.	Part No.	Description			Remark	Ref. No.	Part No.	Description			Remark
R654	1-247-831-11	CARBON	1K	5%	1/4W	R912	1-247-831-11	CARBON	1K	5%	1/4W
R655	1-247-831-11	CARBON	1K	5%	1/4W	R913	1-249-404-00	CARBON	82	5%	1/4W F
R656	1-247-879-11	CARBON	100K	5%	1/4W	R914	1-247-847-11	CARBON	4.7K	5%	1/4W
R697	1-247-879-11	CARBON	100K	5%	1/4W	△ R915	1-240-877-11	FUSIBLE	0.15	5%	1/2W F
R701	1-249-421-11	CARBON	2.2K	5%	1/4W	R916	1-249-389-11	CARBON	4.7	5%	1/4W F
R702	1-249-440-11	CARBON	82K	5%	1/4W	R917	1-249-429-11	CARBON	10K	5%	1/4W
R703	1-249-414-11	CARBON	560	5%	1/4W	R918	1-247-831-11	CARBON	1K	5%	1/4W
R704	1-249-402-11	CARBON	56	5%	1/4W F	R919	1-247-871-11	CARBON	47K	5%	1/4W
R705	1-249-402-11	CARBON	56	5%	1/4W F	R920	1-247-871-11	CARBON	47K	5%	1/4W
R706	1-234-182-11	ENCAPSULATED COMPONENT 0.22X2 5W				R923	1-249-429-11	CARBON	10K	5%	1/4W
R707	1-247-847-11	CARBON	4.7K	5%	1/4W	R926	1-247-791-11	CARBON	22	5%	1/4W
R708	1-240-855-81	CARBON	6.2K	5%	1/4W F	R929	1-249-401-11	CARBON	47	5%	1/4W F
R709	1-249-419-11	CARBON	1.5K	5%	1/4W	R930	1-249-401-11	CARBON	47	5%	1/4W F
R710	1-247-881-00	CARBON	120K	5%	1/4W						
R711	1-249-431-11	CARBON	15K	5%	1/4W			< RELAY >			
R712	1-249-393-11	CARBON	10	5%	1/4W F	RY781	1-755-416-12	RELAY			
R713	1-247-871-11	CARBON	47K	5%	1/4W	RY782	1-755-416-12	RELAY			
R714	1-249-389-11	CARBON	4.7	5%	1/4W F	RY783	1-755-416-12	RELAY			
R751	1-249-421-11	CARBON	2.2K	5%	1/4W	RY981	1-755-013-11	RELAY			
R752	1-249-440-11	CARBON	82K	5%	1/4W	△ RY982	1-755-276-11	RELAY, POWER			
R753	1-249-414-11	CARBON	560	5%	1/4W			< TRANSFORMER >			
R754	1-249-402-11	CARBON	56	5%	1/4W F	△ T902	1-435-281-11	TRANSFORMER, POWER (SUB)			
R755	1-249-402-11	CARBON	56	5%	1/4W F			< TERMINAL BOARD >			
R756	1-234-182-11	ENCAPSULATED COMPONENT 0.22X2 5W									
R757	1-247-847-11	CARBON	4.7K	5%	1/4W	TM801	1-537-376-11	TERMINAL BOARD (SPEAKERS A,B)			
R758	1-240-855-81	CARBON	6.2K	5%	1/4W F						
R759	1-249-419-11	CARBON	1.5K	5%	1/4W						
R760	1-247-881-00	CARBON	120K	5%	1/4W						
R761	1-249-431-11	CARBON	15K	5%	1/4W						
R762	1-249-393-11	CARBON	10	5%	1/4W F						
R763	1-247-871-11	CARBON	47K	5%	1/4W						
R764	1-249-389-11	CARBON	4.7	5%	1/4W F						
R781	1-247-847-11	CARBON	4.7K	5%	1/4W						
R782	1-247-847-11	CARBON	4.7K	5%	1/4W						
R783	1-247-847-11	CARBON	4.7K	5%	1/4W						
R784	1-249-404-00	CARBON	82	5%	1/4W F						
R785	1-249-404-00	CARBON	82	5%	1/4W F						
R786	1-247-847-11	CARBON	4.7K	5%	1/4W						
R787	1-247-847-11	CARBON	4.7K	5%	1/4W						
R788	1-249-427-11	CARBON	6.8K	5%	1/4W						
R789	1-247-871-11	CARBON	47K	5%	1/4W						
R790	1-247-831-11	CARBON	1K	5%	1/4W						
R791	1-247-871-11	CARBON	47K	5%	1/4W						
△ R792	1-215-891-11	METAL OXIDE	680	5%	2W F						
△ R793	1-215-891-11	METAL OXIDE	680	5%	2W F						
R794	1-249-429-11	CARBON	10K	5%	1/4W						
R795	1-249-404-00	CARBON	82	5%	1/4W F						
R901	1-247-847-11	CARBON	4.7K	5%	1/4W						
R902	1-249-381-11	CARBON	1	5%	1/4W F						
△ R903	1-219-237-11	SOLID	3.3M	20%	1/2W F						
R904	1-249-435-11	CARBON	33K	5%	1/4W						
R905	1-247-863-11	CARBON	22K	5%	1/4W						
R906	1-249-421-11	CARBON	2.2K	5%	1/4W						
R907	1-249-428-11	CARBON	8.2K	5%	1/4W						
R908	1-249-422-11	CARBON	2.7K	5%	1/4W						
R909	1-249-431-11	CARBON	15K	5%	1/4W						
R910	1-249-429-11	CARBON	10K	5%	1/4W						
R911	1-247-843-11	CARBON	3.3K	5%	1/4W						

