

# QUADRA-FIRE®

## MT VERNON STOVE AE & MT VERNON INSERT AE

### Heat Exchanger & Exhaust Cleaning Instructions



## WARNING



### Fire Risk

For trouble free use of your pellet appliance you must perform cleaning as called for in these instructions. Not doing so will result in:

- Poor operating performance
- Smoke spillage into the home
- Overheating of components

Not properly cleaning your appliance on a regular basis will void your warranty.



Refer to your Owner's Manual for complete cleaning instructions for all components.



**CAUTION**

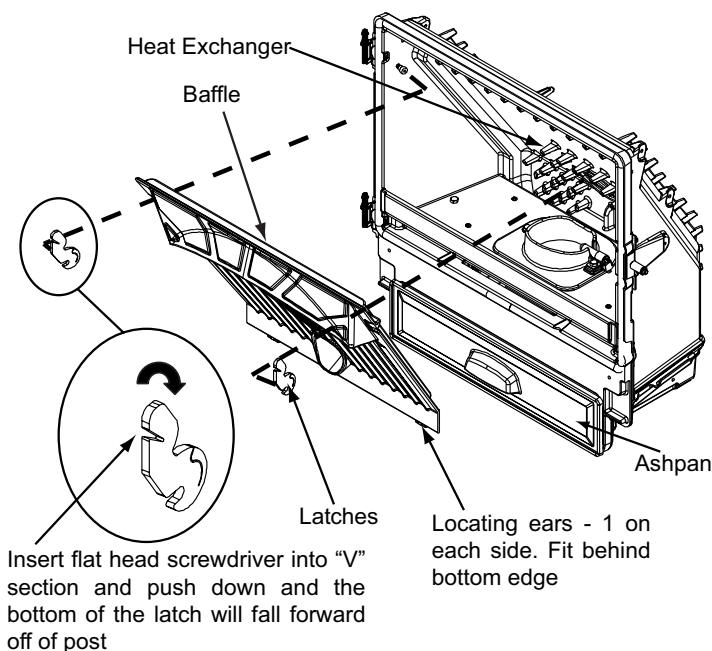
The appliance must be in complete shutdown, completely cool and the exhaust blower off before performing any cleaning or maintenance. There is a risk of shock if the appliance is not unplugged before servicing the appliance.

**PROPER SHUTDOWN PROCEDURE**

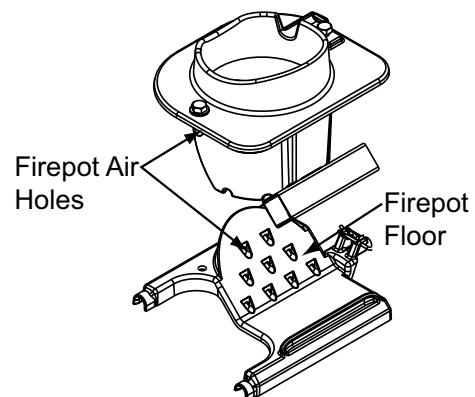
1. Set the wall control thermostat to "OFF" on AUTOMATIC/MANUAL SETTING screen and let the appliance completely cool. The exhaust blower must be off before you can unplug the appliance before servicing.
2. Smoke spillage into the room can occur if the appliance is not cool before unplugging.

**NOTE: Performing this routine service will require approximately 20 minutes a month depending on type and quality of fuel you burn.**

CLEANING OR INSPECTION	FREQUENCY		DAILY	WEEKLY	EVERY 2 WEEKS	YEARLY
<b>FIREPOT</b> Softwood Pellets	Every 5 bags	-OR-		<b>X</b>		
<b>FIREPOT</b> Hardwood Pellets	Every 3 bags	-OR-		<b>X</b>		
<b>FIREPOT</b> Corn, Wheat, or Sunflower Seeds	Every 1 bag	-OR-	<b>X</b>			
<b>ASHPAN</b> Wood Pellets	Every 5 bags	-OR-		<b>X</b>		
<b>ASHPAN</b> Alternate Fuel	Daily	-OR-	<b>X</b>			
<b>HEAT EXCHANGER</b>	Every 1 ton of fuel	-OR-			<b>X</b>	
<b>EXHAUST BLOWER</b>	Every 3 tons of fuel	-OR-				<b>X</b>



**FIREPOT MAINTENANCE**



**Firepot Exploded View**

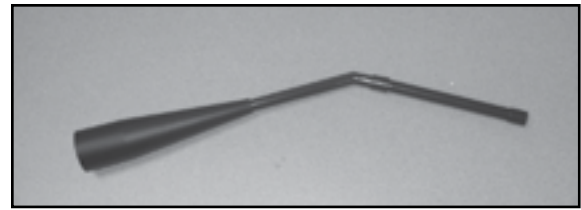
The firepot floor and firepot air holes will need to be scraped occasionally depending on the quality of fuel being used. Use a putty knife, a flat head screwdriver or the firepot clean-out tool provided to remove excess carbon from the firepot.

**Tools Needed:** Shop Vac\* and Micro Cleaning Kit\*; flat head and Phillips screwdriver; 11/32 Nut-driver or wrench.

3. Assemble the crevice tool from the Micro Cleaning Kit to attach to a Shop Vac. **Figure 3.**



**\* Shop Vac and Micro Cleaning Kit can be purchased at your local hardware store.**



**Figure 3**

1. It is necessary to remove the baffle to gain access to the heat exchanger. Complete instructions for removing the baffle can be found in your Owner's Manual.
2. Vacuum the ash from the heat exchanger with an upholstery brush to remove the majority of the ash. Be sure to vacuum the back of the baffle also. Inspect the drop tube and remove any residue build-up in the drop tube. **Figure 2.**

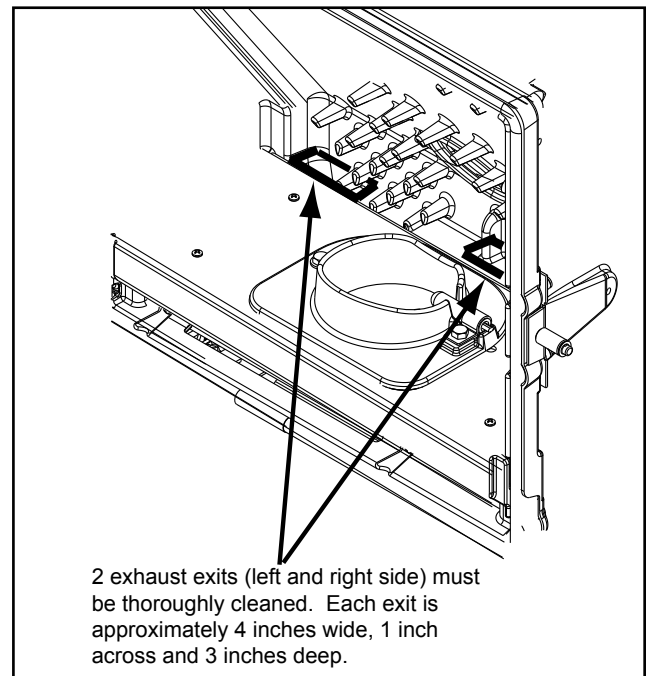
4. Use the crevice tool to finish cleaning the heat exchanger fins. It is critical that the 2 exhaust exits at the back of the firebox floor (left and right) be thoroughly cleaned. **Figure 4.** There are several ways this can done.
  - a. Use the crevice tool.
  - b. Attach a hose 1/2 inch (12.7mm) in diameter and approximately 2 feet (607mm) in length to your vacuum hose.
  - c. Use a bottle brush and push the ash down to the bottom. Remove the combustion (exhaust) blower and then vacuum out the ash. **Figures 5 through 8 on page 4.**



**Figure 1 - Example of a dirty heat exchanger**



**Figure 2**



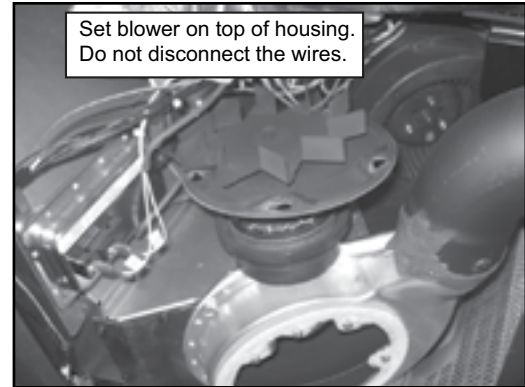
**Figure 4**

5. Removing the Combustion (Exhaust) Blower

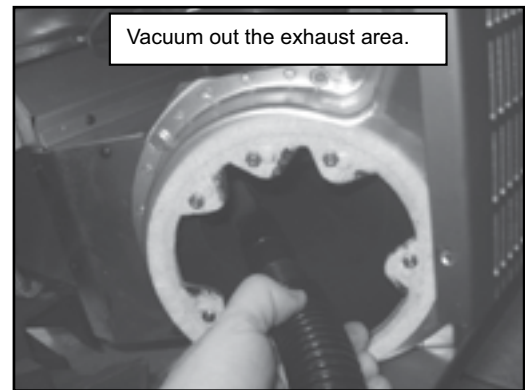
- a. The combustion blower is mounted in the bottom right rear of the appliance. **Figure 5.**
- b. Use an 11/32 nut driver to loosen all 6 nuts, but do not remove. Rotate the blower and remove from the housing. **Figure 6.**
- c. Set the blower on the top of the housing for the stove and place on the firebox floor for the insert. You do not need to disconnect the wires. **Figure 7.**
- d. Vacuum out the exhaust area. **Figure 8.** You may need to replace the gasket at this time also. Order part SRV7000-423.
- e. A view of the inside of the exhaust area. **Figure 9.**



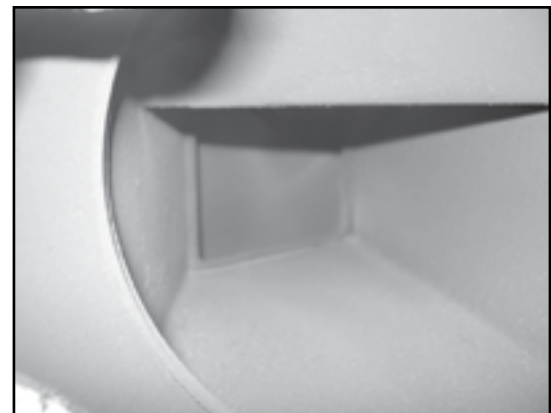
**Figure 6**



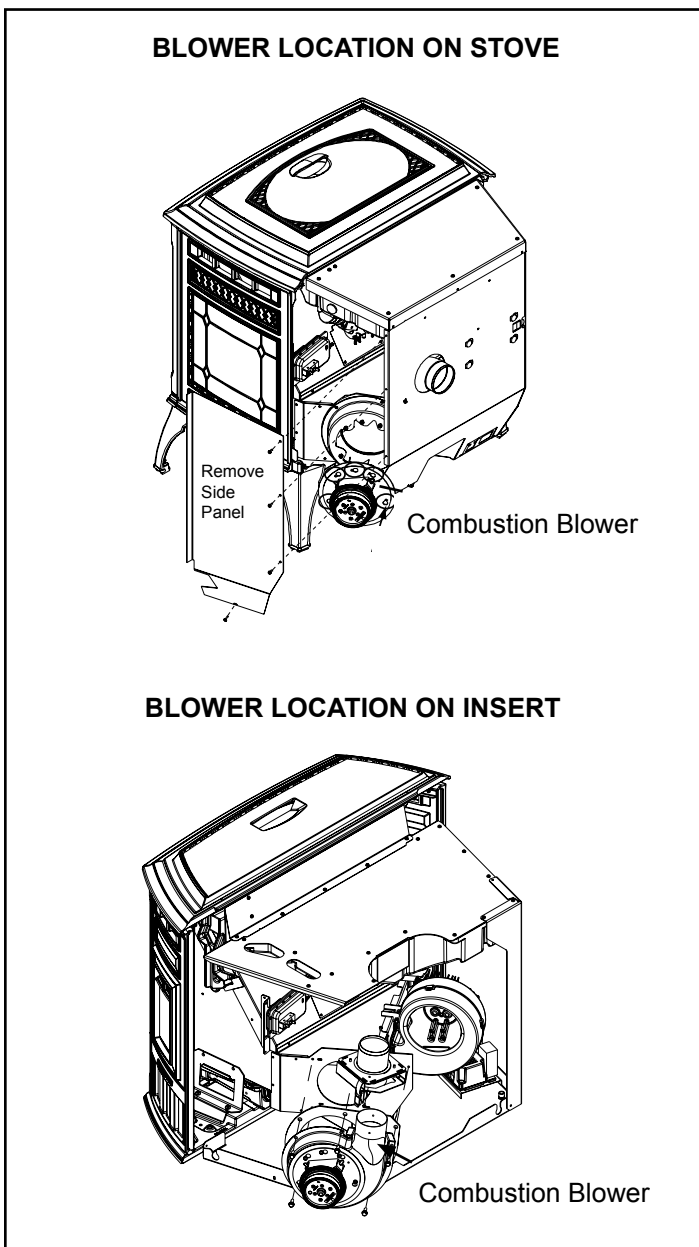
**Figure 7 - Stove is shown in this example**



**Figure 8**



**Figure 9**



**Figure 5**