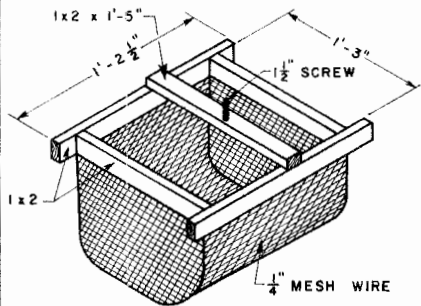
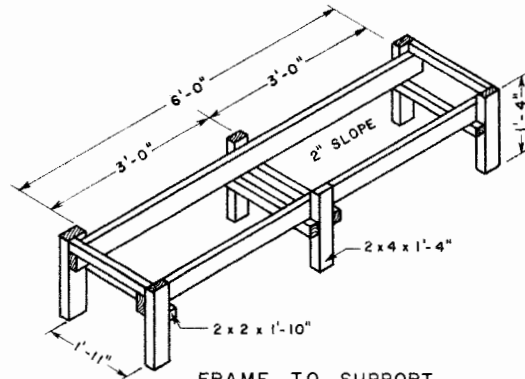


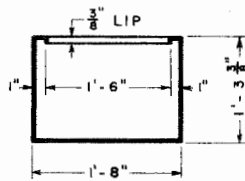
HONEY UNCAPPING TANK



BASKET TO COLLECT WAX CAPPINGS



FRAME TO SUPPORT UNCAPPING TANK



SECTION THRU CONSTRUCTED TANK

NOTE:

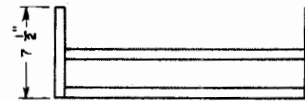
THE UNCAPPING TANK IS USED TO OPEN THE COMBS BEFORE HONEY EXTRACTING. TWO BASKETS MAY BE USED LEAVING APPROXIMATELY 42" TO HANG UNCAPPED COMBS.

MATERIALS:

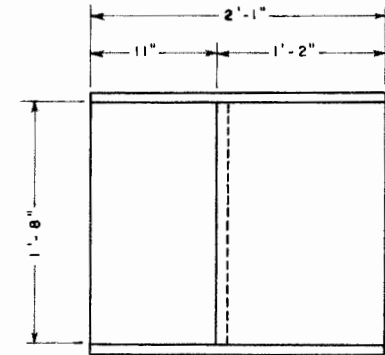
- FRAME**
 2 x 2 x 6'-0" PINE
 2 x 4 x 26'-0" PINE
 1 LB. 10d NAILS
- BASKET**
 1 x 2 x 8'-0" PINE
 16 1/2" x 5'-0" x 1/4" MESH HDW. CLOTH
- TANK**
 4'-2 3/4" 8'-6 3/4"
 26 GA. GALVANIZED

HONEYCOMB UNCAPPING TANK

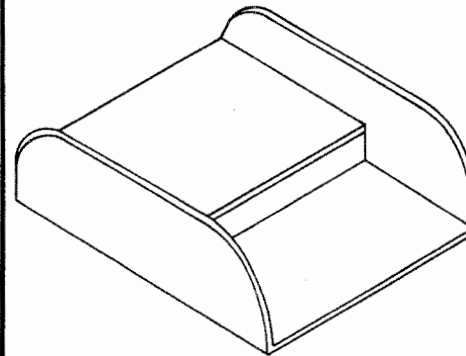
SCALE: NONE



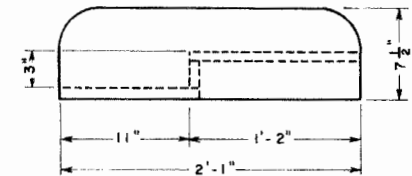
END VIEW



TOP VIEW



ISOMETRIC VIEW



SIDE VIEW

NOTE:

FINISHED UNIT SHOULD BE PAINTED WITH PAINT APPROVED FOR USE IN CONTACT WITH FOOD.

SUPER DUMPING BOARD

SCALE: NONE



HONEYCOMB UNCAPPING TANK AND SUPER DUMPING BOARD

USDA '80 EX. 6325 SHEET 1 OF 1

Disclaimer

This site makes available conceptual plans that can be helpful in developing building layouts and selecting equipment for various agricultural applications. These plans do not necessarily represent the most current technology or construction codes. They are not construction plans and do not replace the need for competent design assistance in developing safe, legal and well-functioning agricultural building system. The LSU Agriculture Center, the Mid-West Plan Service, the United States Department of Agriculture and none of the cooperating land-grant universities warranty these plans.