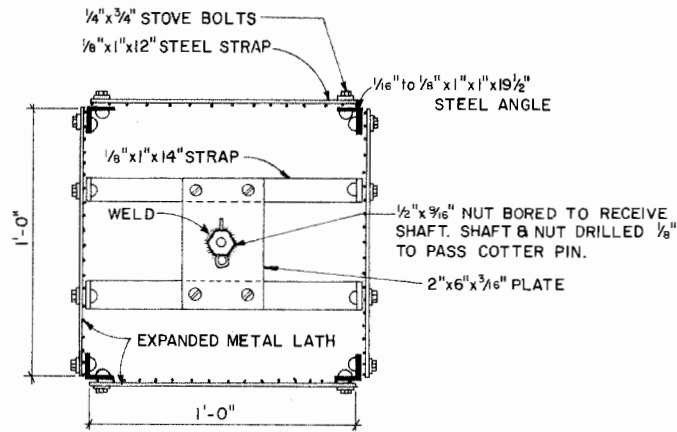
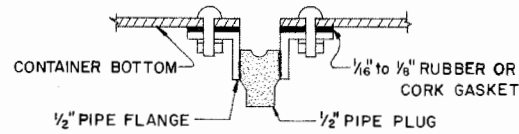


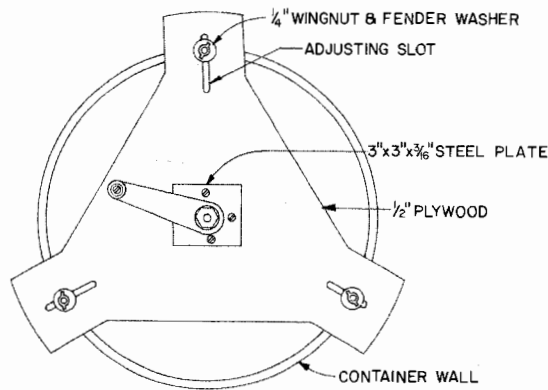
**DETAIL 2 - EXTRACTOR PARTIAL SECTION**



**SECTION AA**

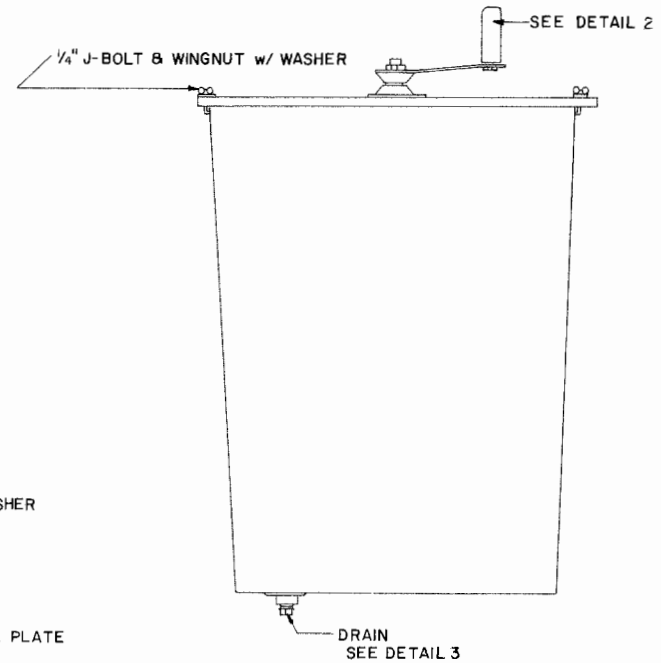


**DETAIL 3 - DRAIN FITTING**  
NOT TO SCALE



**TOP VIEW**

**NOTE:** THE HONEY EXTRACTOR IS USED TO SPIN HONEY OUT OF THE COMBS AFTER THEY HAVE BEEN UNCAPPED. THIS UNIT WILL HANDLE FOUR COMBS AT ONCE. CAUTION SHOULD BE USED WHEN EXTRACTING FROM NEW OR VERY OLD COMBS AS THEY ARE SUBJECT TO BREAKAGE. THESE COMBS SHOULD BE PARTIALLY EMPTIED ON ONE SIDE THEN TURNED AND PARTIALLY EMPTIED ON THE OTHER SIDE, REPEATING THIS PROCEDURE UNTIL ALL HONEY IS REMOVED.



**SIDE VIEW**

12' 6" 0 1 2' 3' 4' 5' 6' 7'  
SCALE: 1/4" = 1'-0" UNLESS OTHERWISE NOTED.



**HONEY EXTRACTOR**

USDA '79 EX. 6330 SHEET 1 OF 1

## Disclaimer

This site makes available conceptual plans that can be helpful in developing building layouts and selecting equipment for various agricultural applications. These plans do not necessarily represent the most current technology or construction codes. They are not construction plans and do not replace the need for competent design assistance in developing safe, legal and well-functioning agricultural building system. The LSU Agriculture Center, the Mid-West Plan Service, the United States Department of Agriculture and none of the cooperating land-grant universities warranty these plans.