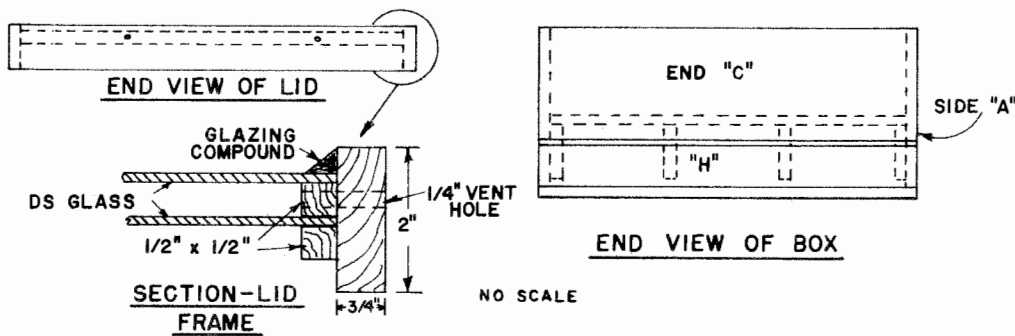
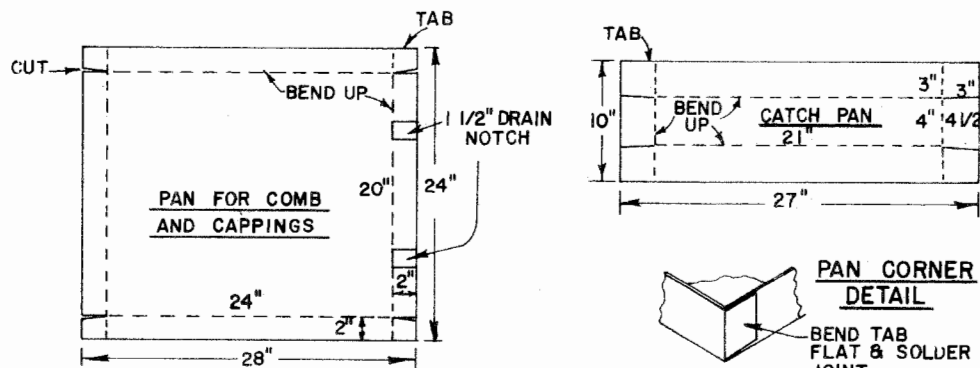


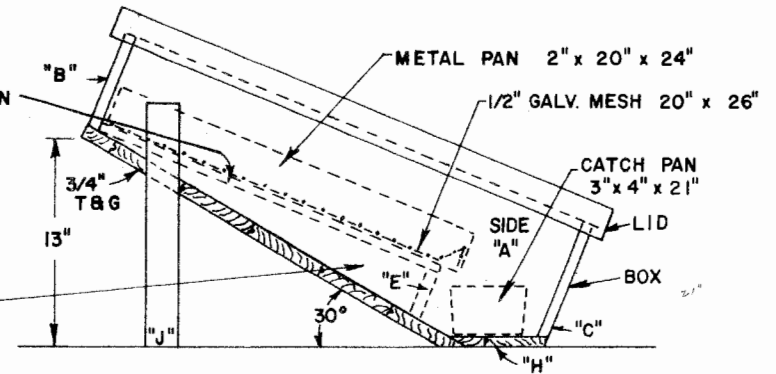
NO SCALE



NO SCALE



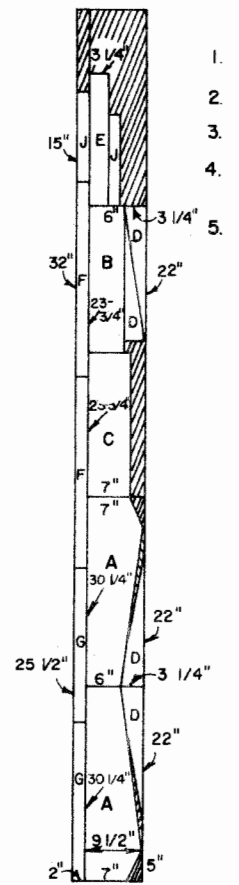
NO SCALE



SIDE VIEW, COMPLETE UNIT

NOTES

1. PAINT INSIDE WHITE.
2. PAINT OUTSIDE BLACK.
3. SEAL ALL CRACKS.
4. PLACE IN PROTECTED PLACE ON SOUTH SIDE OF A BUILDING.
5. REMOVE WAX AND HONEY WHEN MOST COMBS ARE MELTED. THE HONEY SHOULD BE DISCARDED.



NO SCALE

BASED ON: PENN STATE UNIV.
 PLAN NO. 790-301



SOLAR BEESWAX EXTRACTOR

PA '77 6265 SHEET 1 OF 1

Disclaimer

This site makes available conceptual plans that can be helpful in developing building layouts and selecting equipment for various agricultural applications. These plans do not necessarily represent the most current technology or construction codes. They are not construction plans and do not replace the need for competent design assistance in developing safe, legal and well-functioning agricultural building system. The LSU Agriculture Center, the Mid-West Plan Service, the United States Department of Agriculture and none of the cooperating land-grant universities warranty these plans.