

Milking Stand Plans

These plan views were donated to GreatGoats.com by Bernice Raymond, owner and operator of [Shalom Dairy Goat Ranch](#): Home of Gemini Goats.

MILK STAND

* 1 X 4 , 2X4 and Plywood Construction

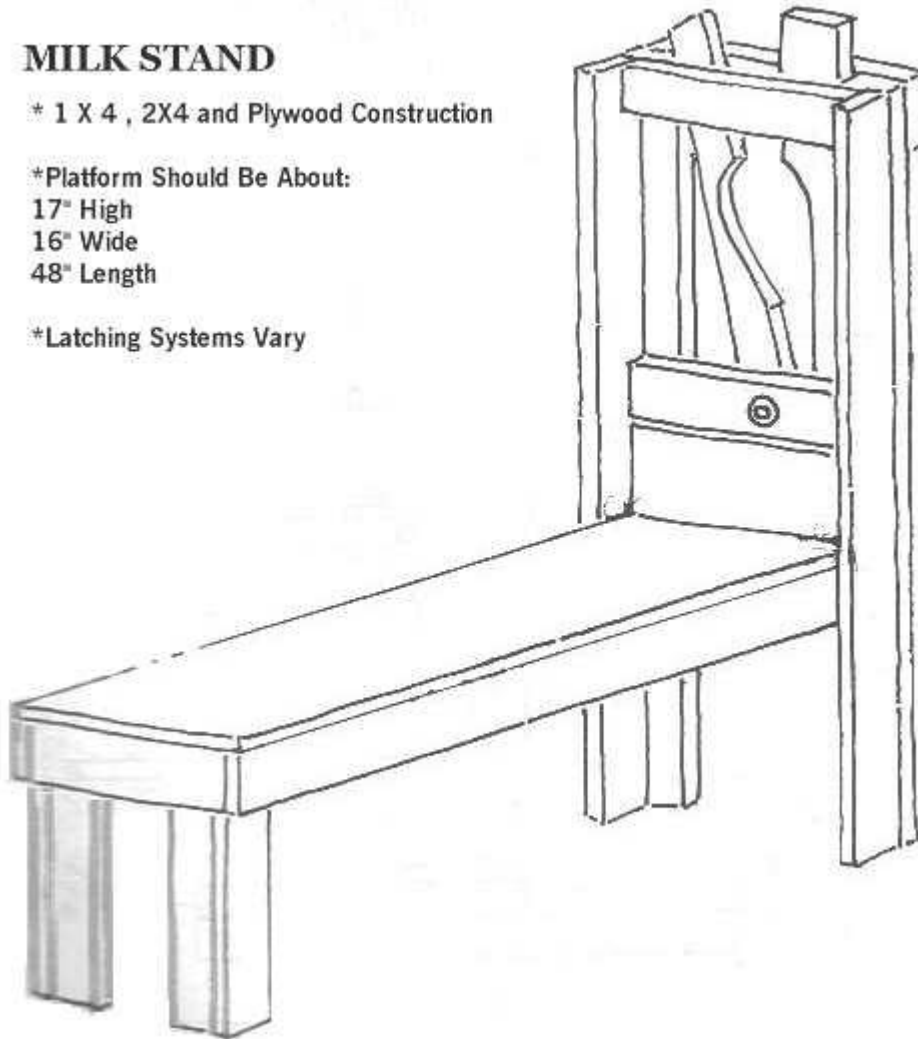
*Platform Should Be About:

17" High

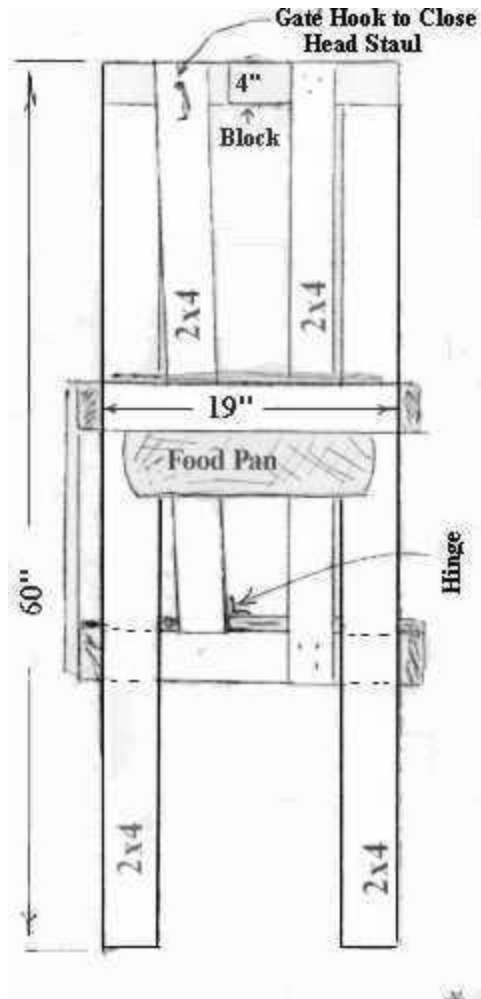
16" Wide

48" Length

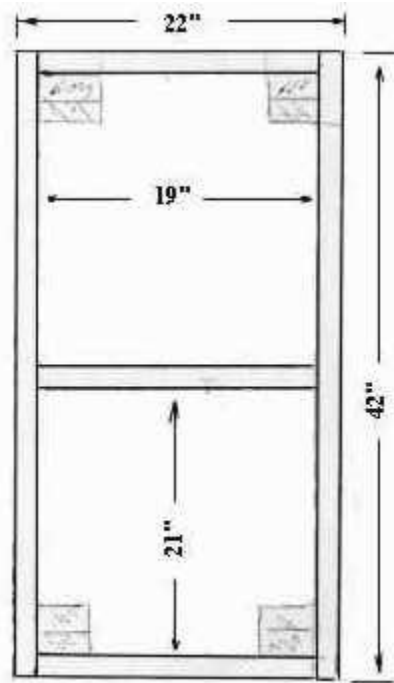
*Latching Systems Vary



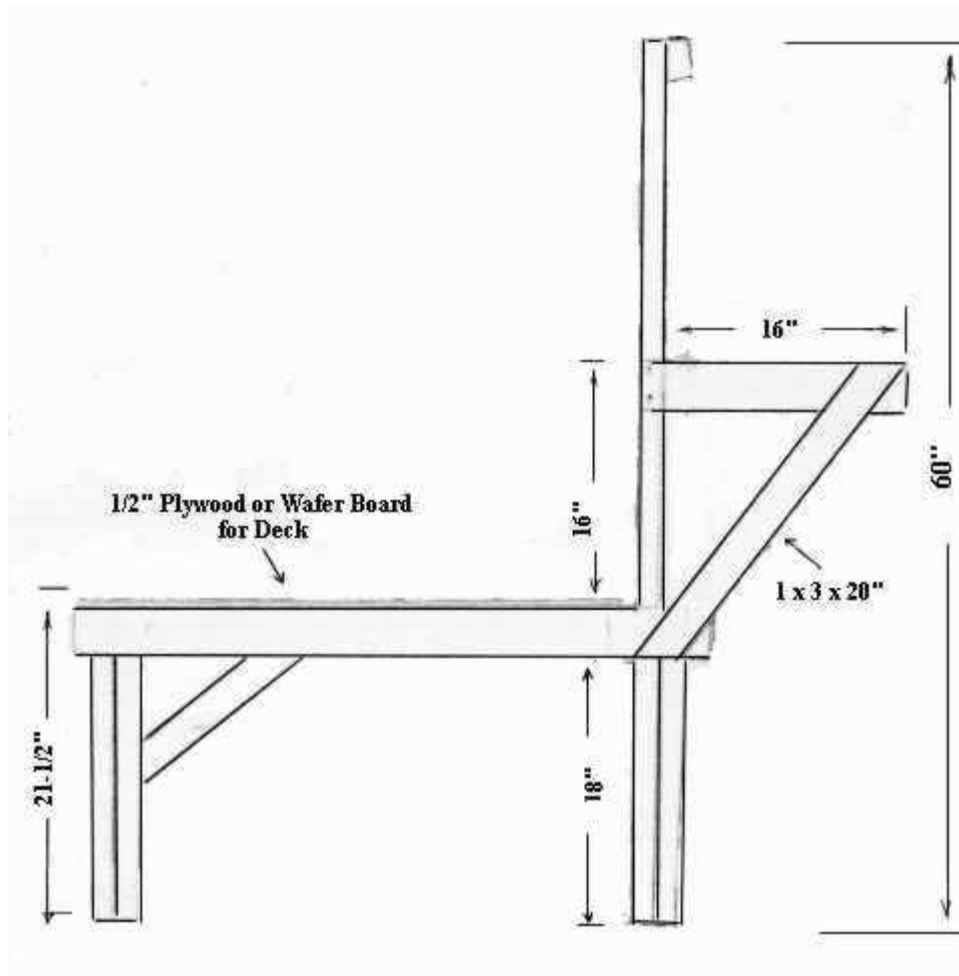
Overall View



End View



Platform Top View



Side View

Important

This information is provided as a service and made available by Idea Factory, Inc.. Idea Factory, Inc. is not responsible for any damage, injury, death, etc from the use, misuse, or accuracy of this information.