

Sawhorse Flip Stops

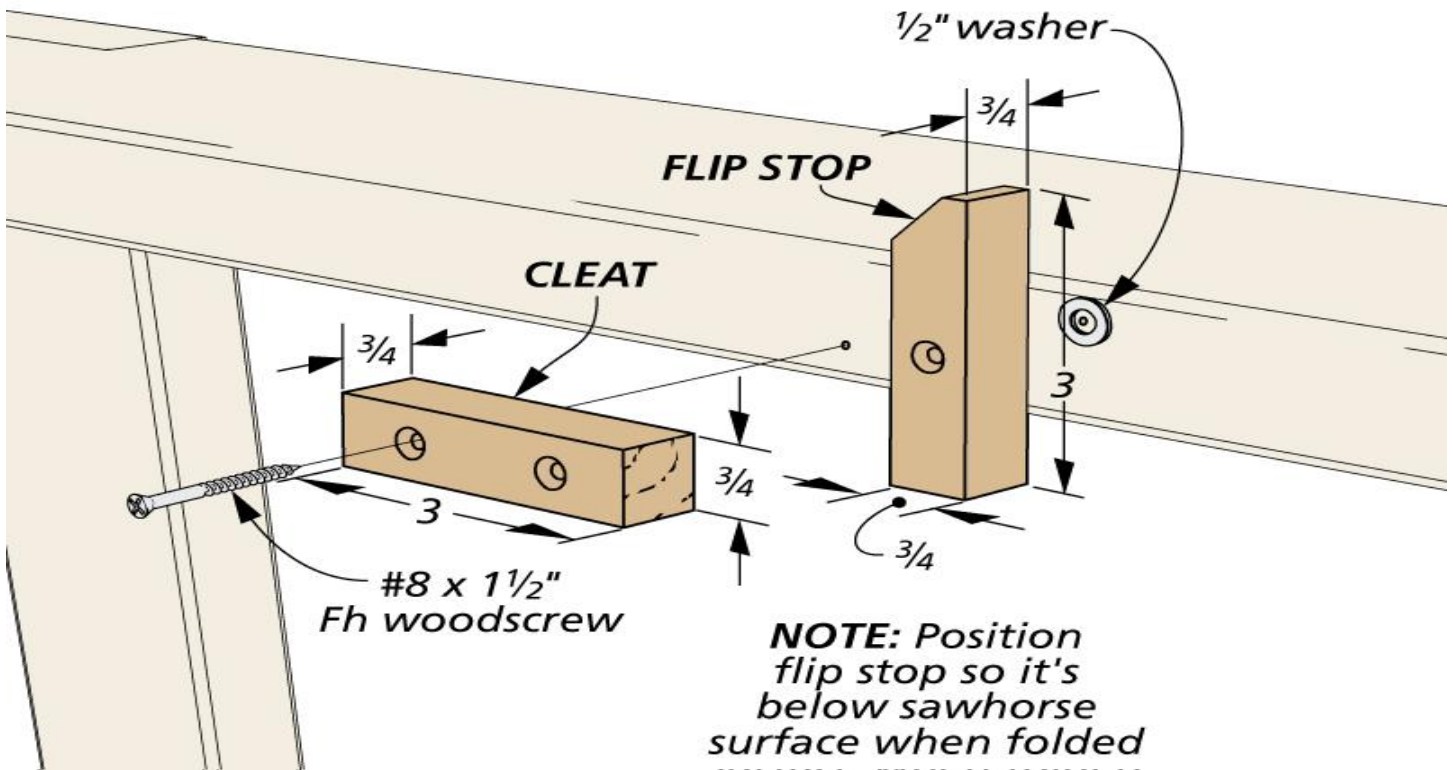
By: Erich Lage

These two pieces of wood added to your sawhorses will make life a lot easier. Well, at least when working with your circular saw.



One of the cardinal rules of using a [circular saw](#) is to make sure your board is secure before making a cut. But to be honest, I don't always follow that rule. So instead of concentrating on the cut, I end up trying to keep the board from sliding across the sawhorse. To solve this problem, I installed two flip stops on each of my [sawhorses](#).

The stops hold a board in place without having to fiddle with clamps.



Each flip stop consists of two wood blocks. The flip stop itself can be pivoted up when you want to use it (intro photo). A cleat mounted underneath holds the flip stop in the upright position. Before attaching the two blocks, it's a good idea to bevel the end of the flip stop. This makes for a handy finger recess.



There are a couple of things to keep in mind when locating the flip stop. First, when it's in the down position, it must be below the top of the [sawhorse](#) (photo above). This way, it won't be in the way when you're not using it.

Also, check to make sure it will pivot without binding against the cleat.

