

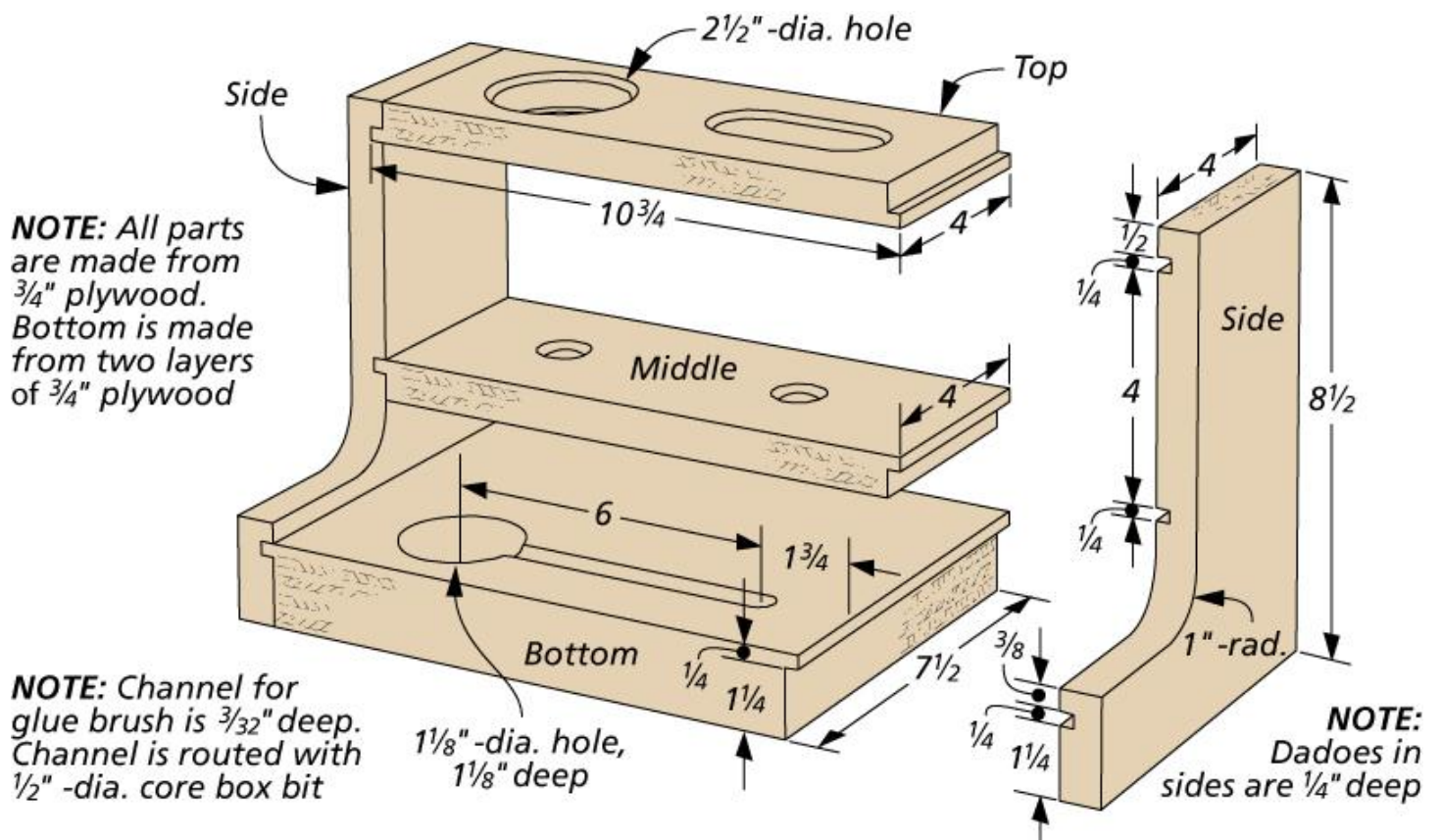
Glue Bottle Storage Rack

By: Erich Lage

This rack lets you take control of a sticky situation.

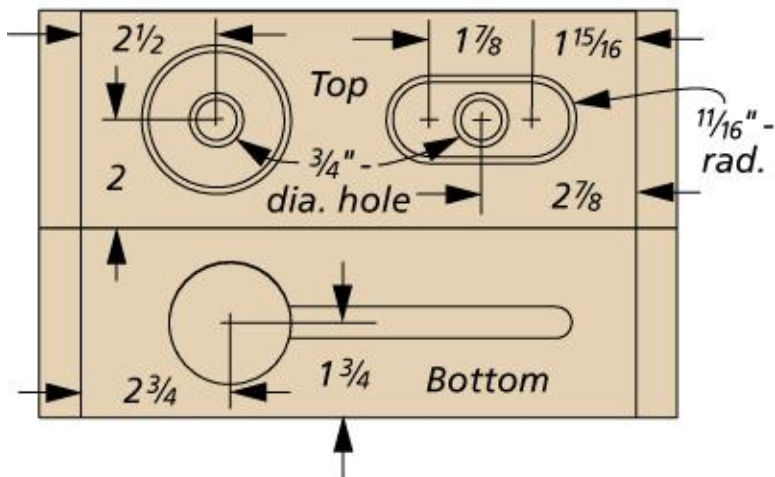


Waiting for glue to flow from the bottom of the glue bottle to the tip is one of my pet peeves in the shop. Instead of waiting, I store a couple bottles in this handy rack that keeps the bottles upside-down so the glue is always ready to go.



TOP VIEW

NOTE: Size holes in top and middle to fit your glue bottles



I made my rack to hold the two bottles that I use the most, but it could easily be expanded by making the center sections longer. The whole rack is made from plywood. Tongues cut on the ends of the center sections slip into dadoes cut in the sides. To add even more versatility, I drilled a large hole in the bottom tray that is sized to hold a disposable plastic cup. A glue brush rests in a groove cut next to the plastic cup hole. Excess glue drips into the cup.