

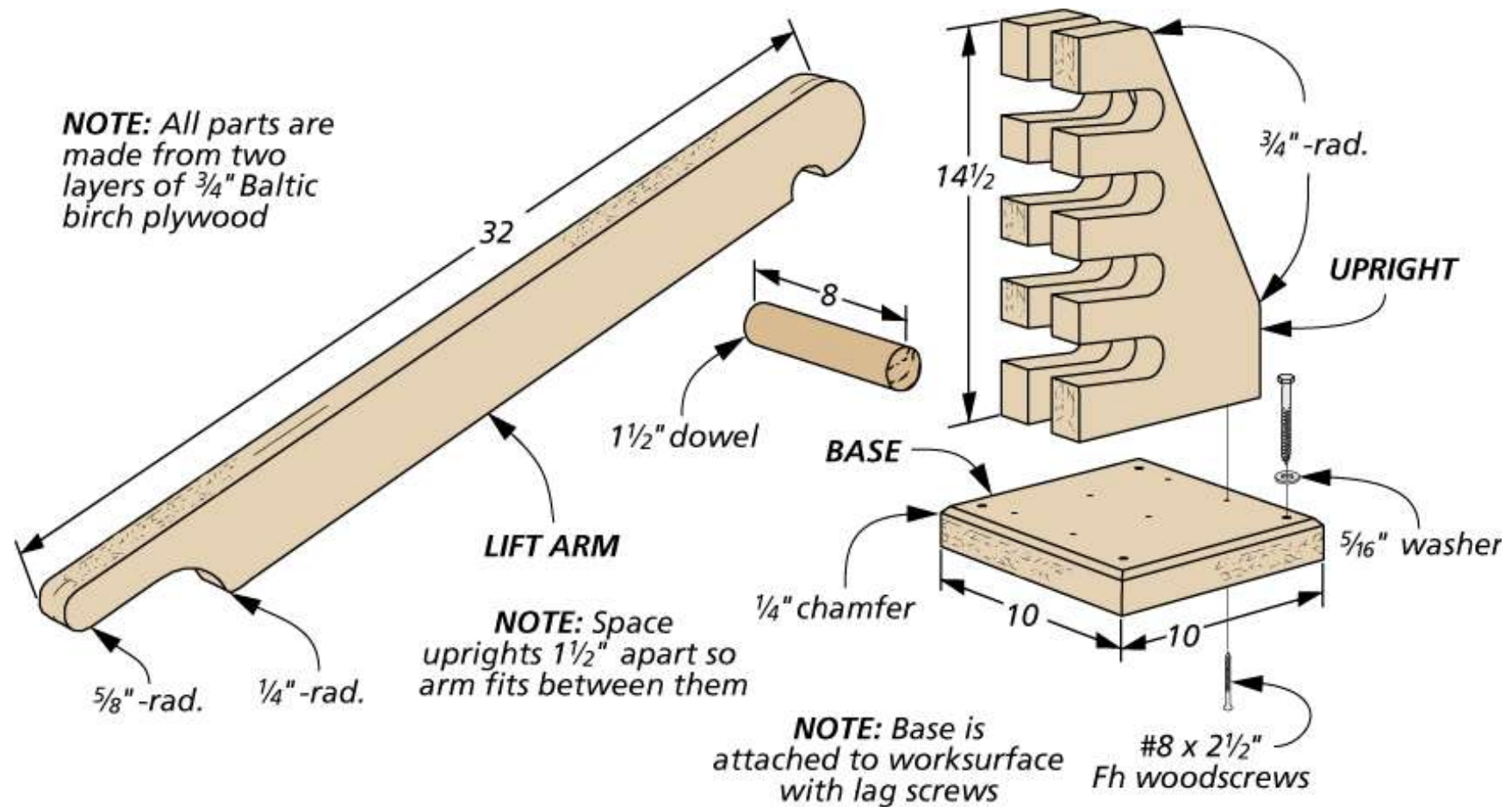
Drill Press Table Jack

By: Erich Lage

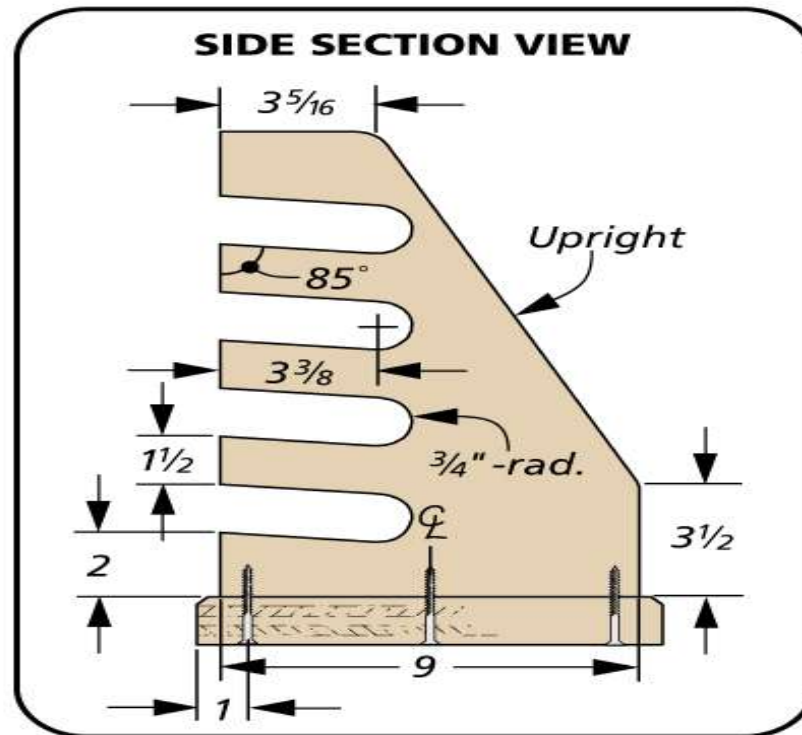
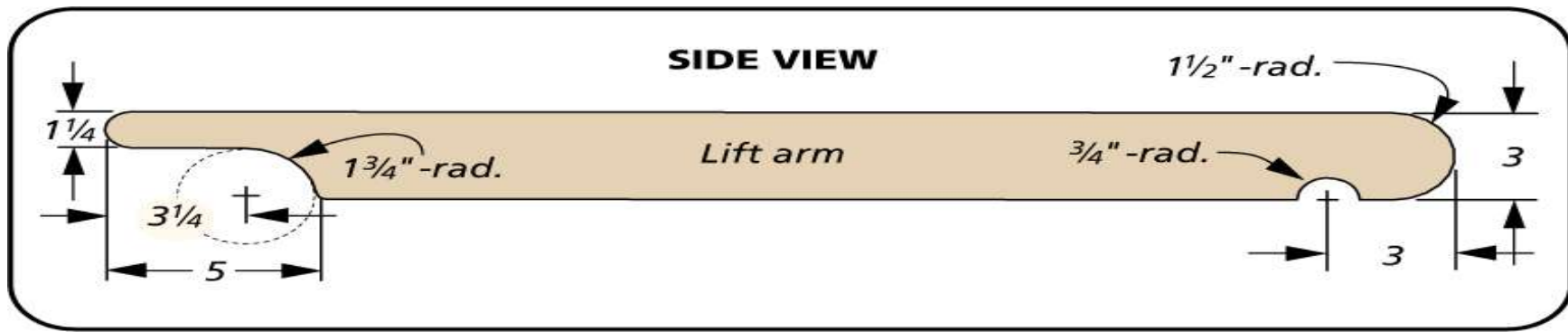
This Jack helps you deal with the heavy lifting that can be called for at certain Drill Presses.



My drill press doesn't have a crank to raise and lower the table. So moving the table on my drill press can be a pain. Not only is it heavy, but it's hard to get a good grip to both lift and lock it in place. I decided to tackle this problem by building the jack shown above.



Jack it up. The drill press table jack uses a mechanical advantage to allow me to easily raise or lower the table with one hand. I can simply move the arm to the closest set of notches, loosen the table, and lift (or lower). My other hand is free to lock the table in place. The arm can then be stored next to the table.



The jack consists of a wide base with two uprights. The uprights have a series of notches along the front edge. The long lift arm has a notch on the back end to fit over a dowel. Everything is attached to the bench so it doesn't tip over while in use. To make this sturdy, all the parts are glued up from two layers of plywood.



By moving the dowel up or down in the uprights, the jack can cover a range of height adjustments.

Published: Sept. 29, 2022