

# REAR ATTACHED *Mowers*

FIG.	PART NO.	NAME AND DESCRIPTION	QTY. REQ.
<u>2</u>	Prior to	Effective W/	
	14-92 -	14-92 -	
	46925	46925	
	14-93 -	14-93 -	
	9530	9530	
	*	**	
--	14-98	14-207	
		KIT, Sheave & Belt, 9" . . . . .	AR
		Consists of:	
70	148497	SHEAVE, 9" . . . . .	1
--	147849	"V" BELT. . . . .	1
--	14-99	14-208	
		KIT, Sheave & Belt, 10-1/2" . . . . .	AR
		Consists of:	
--	147773	SHEAVE, 10-1/2" . . . . .	1
71	147849	"V" BELT. . . . .	1
--	14-100	14-209	
		KIT, Sheave & Belt, 12" . . . . .	AR
		Consists of:	
--	142502	SHEAVE, 12" . . . . .	1
--	148083	"V" BELT. . . . .	1
--	14-146	14-210	
		KIT, Sheave & Belt, 14-1/2" . . . . .	AR
		Consists of:	
--	149575	SHEAVE, 14-1/2" . . . . .	1
--	149578	"V" BELT. . . . .	1
* Uses 6-Spline Sheaves ** Uses 19-Spline Sheaves			

# REAR ATTACHED *Mowers*

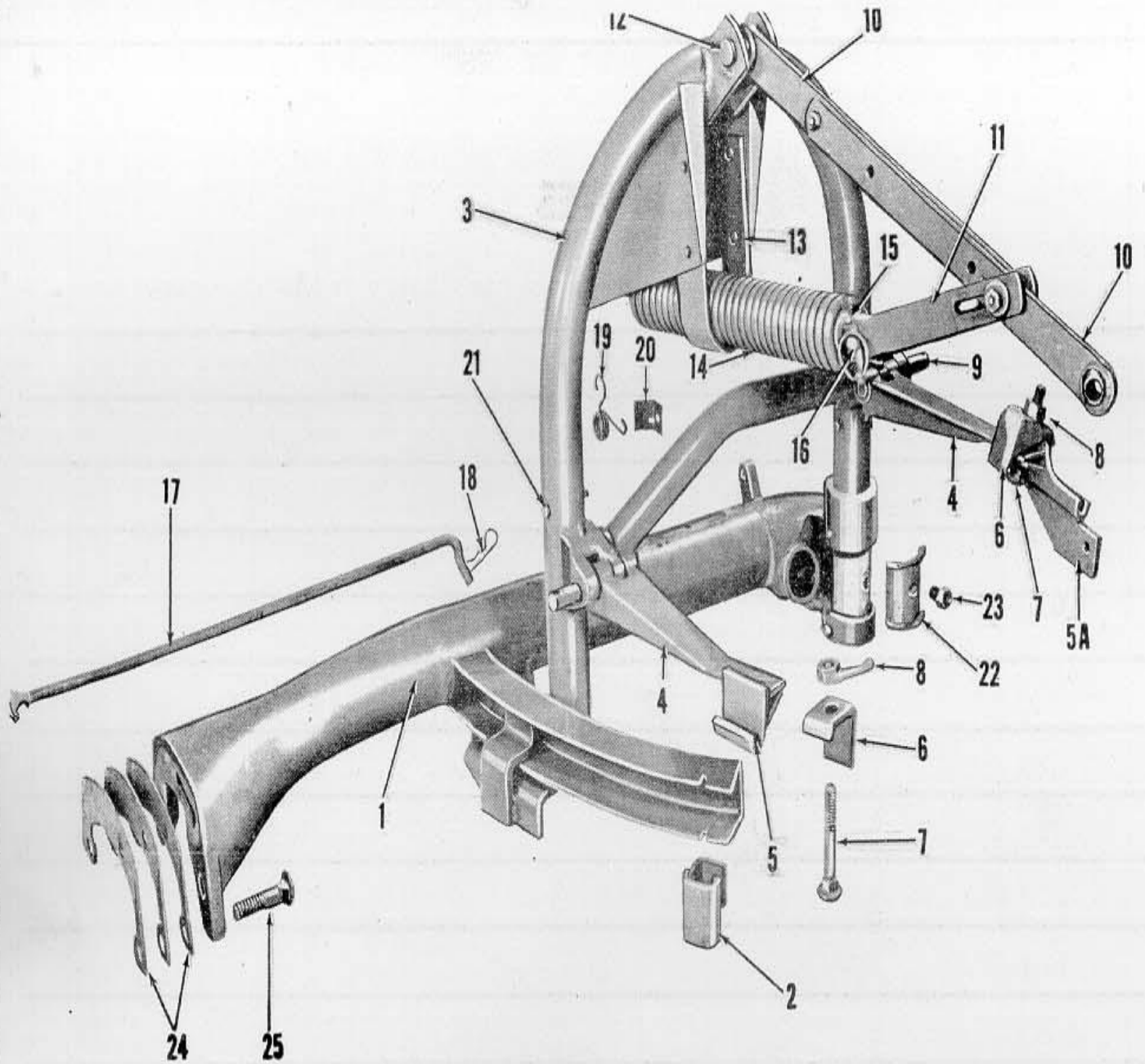


Figure 3 - Frame Assemblies

FIG.	PART NO.	NAME AND DESCRIPTION	QTY. REQ.
3		<u>GROUP 1-2 FRAME ASSEMBLIES</u>	14-92, 93
-	148148	FRAME ASSEMBLY, Wide (Includes Cups) (Model 14-93 only)	1
1	148149	FRAME ASSEMBLY, Narrow (Includes Cups)(Mod 14-92 only)	1
		Consists of Frame which is not serviced	

# REAR ATTACHED *Mowers*

FIG.	PART NO.	NAME AND DESCRIPTION	QTY. REQ.
<u>3</u>		<u>GROUP 1-2 FRAME ASSEMBLIES (CONT)</u>	<u>14-92 93</u>
9	148452	PIN, Mounting . . . . .	2
-	359475-S	PIN, 1/4 x 1-3/4 Roll - Stabilizer & Pin to Frame .	2
10	147875	LINK, Top . . . . .	2
11	147815	LINK, Spring . . . . .	2
--	147808	BUSHING, .459 I.D. x 5/8 O.D. x 3/8 - Link . . . . .	2
--	21446-S8	BOLT, 7/16 - 14 x 2-1/2 Hex Hd. Ht. Trtd.)	1
--	304762-S8	BOLT, 7/16 - 14 x 1-1/2 Hex Hd. )	1
--	44736-S8	WASHER, 7/16 Flat ) Link to	2
--	34808-S7	LOCKWASHER, 7/16 ) Link	2
--	34670-S7	NUT, 7/16 - 14 Hex )	2
12	148474	PIN, 3/4 x 3 Spec Clevis)	
--	72053-S8	COTTER PIN, 1/4 x 1-1/4 ) Link to Upper Frame	1
13	147816	GUIDE, Spring . . . . .	1
--	302317	BOLT, 1/4 - 20 x 5/8 Carr Sht Sq Nk)	
--	34805-S7	LOCKWASHER, 1/4 ) Guide to Upper	4
--	33795-S8	NUT, 1/4 - 20 Hex ) Frame	
14	147863	SPRING ASSEMBLY, Lift . . . . .	1
		Consists of Spring which is not serviced separately plus Plugs listed below:	
--	147810	PLUG, Spring Adjusting (Rear) . . . . .	1
15	147811	PLUG, Spring (Front) . . . . .	1
--	147814	BOLT, 3/4 - 10 x 9 Hex Hd. 8-3/16 Thrd )	1
--	147817	WASHER, 25/32 I.D. x 1-5/8 O.D. x 5/8 Rubber) Lift	1
--	44746-S8	WASHER, 3/4 ) Spring	1
--	34674-S8	NUT, 3/4 - 10 Hex Jam ) Rear	1
16	148162	PIN, 3/4 x 1-7/8 Spec. Clevis)	
--	2N-574	PIN, Linch ) Link to Spring	1
--	2N-575	RING, Linch Pin )	

# REAR ATTACHED *Mowers*

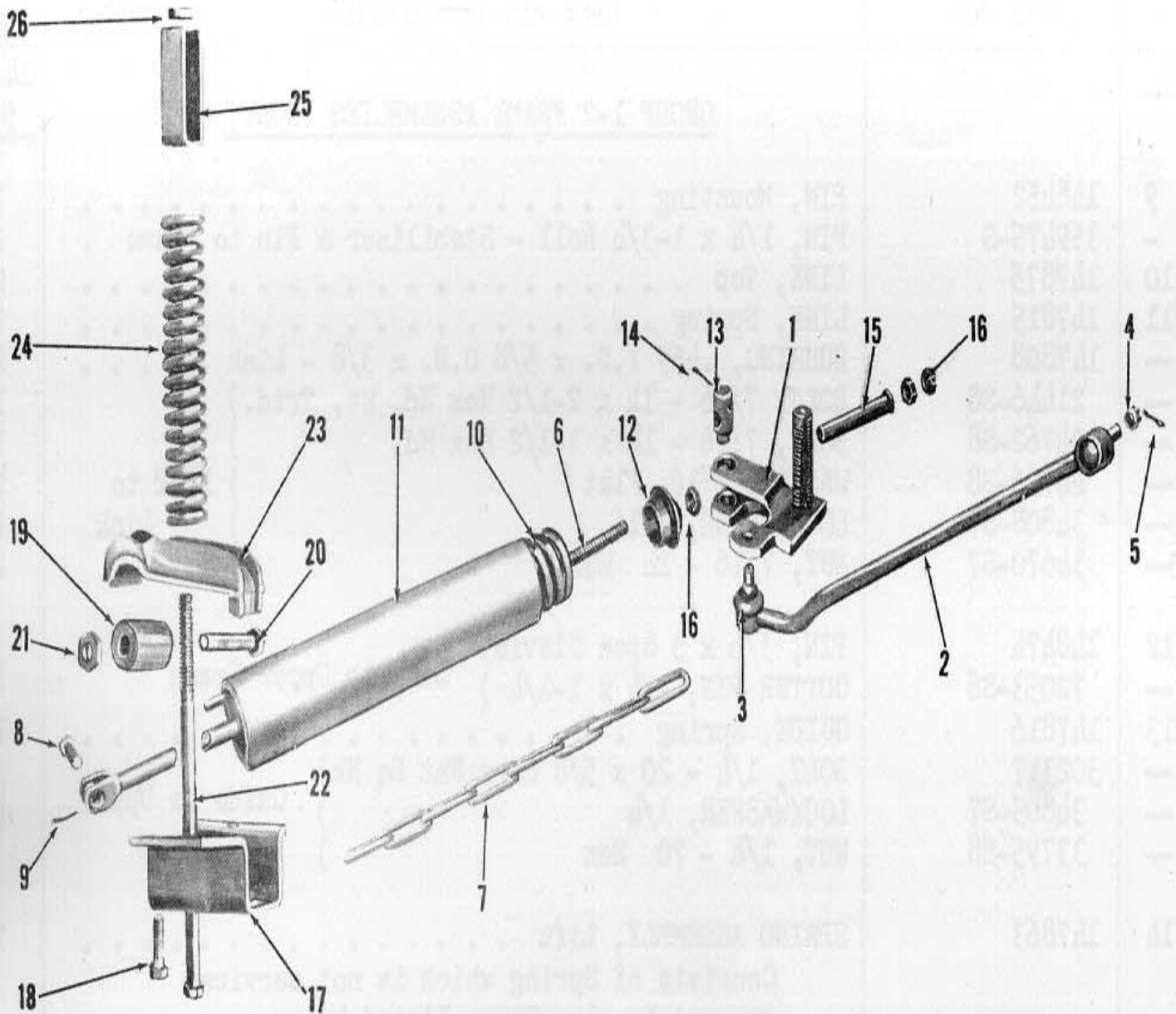


Figure 4 - Break Back Assembly

FIG.	PART NO.	NAME AND DESCRIPTION	QTY. REQ.
4		<u>GROUP 1-3 BREAK BACK ASSEMBLY</u>	14-92, 93
1	141552*	BELL CRANK (Welded Assembly) . . . . .	1
-	145035**	BELL CRANK (Welded Assembly) . . . . .	1
2	148582	PUSHROD ASSEMBLY . . . . .	1
3	148006	SEAL, Push Rod End (Rubber) . . . . .	2