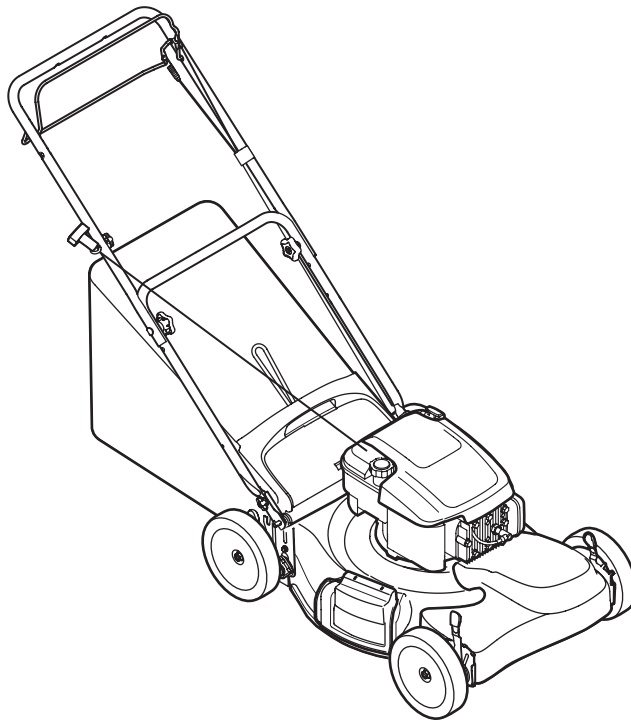




ILLUSTRATED PARTS MANUAL



Self-Propelled Mowers

TROY-BILT LLC, P.O. BOX 361131 CLEVELAND, OHIO 44136-0019

To The Owner

Thank you for purchasing an MTD Lawn Mower. It was carefully engineered to provide excellent performance when properly operated and maintained.

All information in this manual is relative to the most recent product information available at the time of printing. Please be aware that this Illustrated Part's Manual may cover a range of product specifications for various models.

Components listed and/or illustrated in this manual may not be applicable to all models. We reserve the right to change product specifications, designs and equipment without notice and without incurring obligation.

Throughout this manual, all references to *right* (RH) and *left* (LH) are observed from the operating position.

Table of Contents

<i>Model TB210</i>	4	<i>Model 12AKC35</i>	12
<i>Model TB280 ES</i>	6	<i>Model 12AKD35</i>	14
<i>Model TB230/TB260</i>	8	<i>Model 12ALC35</i>	16
<i>Model TB320</i>	10		

Record Product Information

To ease in ordering replacement parts, please locate the model plate on the equipment and record the information in the provided area to the right. You can locate the model plate by standing at the operator's position and looking down at the rear of the deck.

MODEL NUMBER

--	--	--	--	--	--	--	--	--	--	--

SERIAL NUMBER

--	--	--	--	--	--	--	--	--	--	--

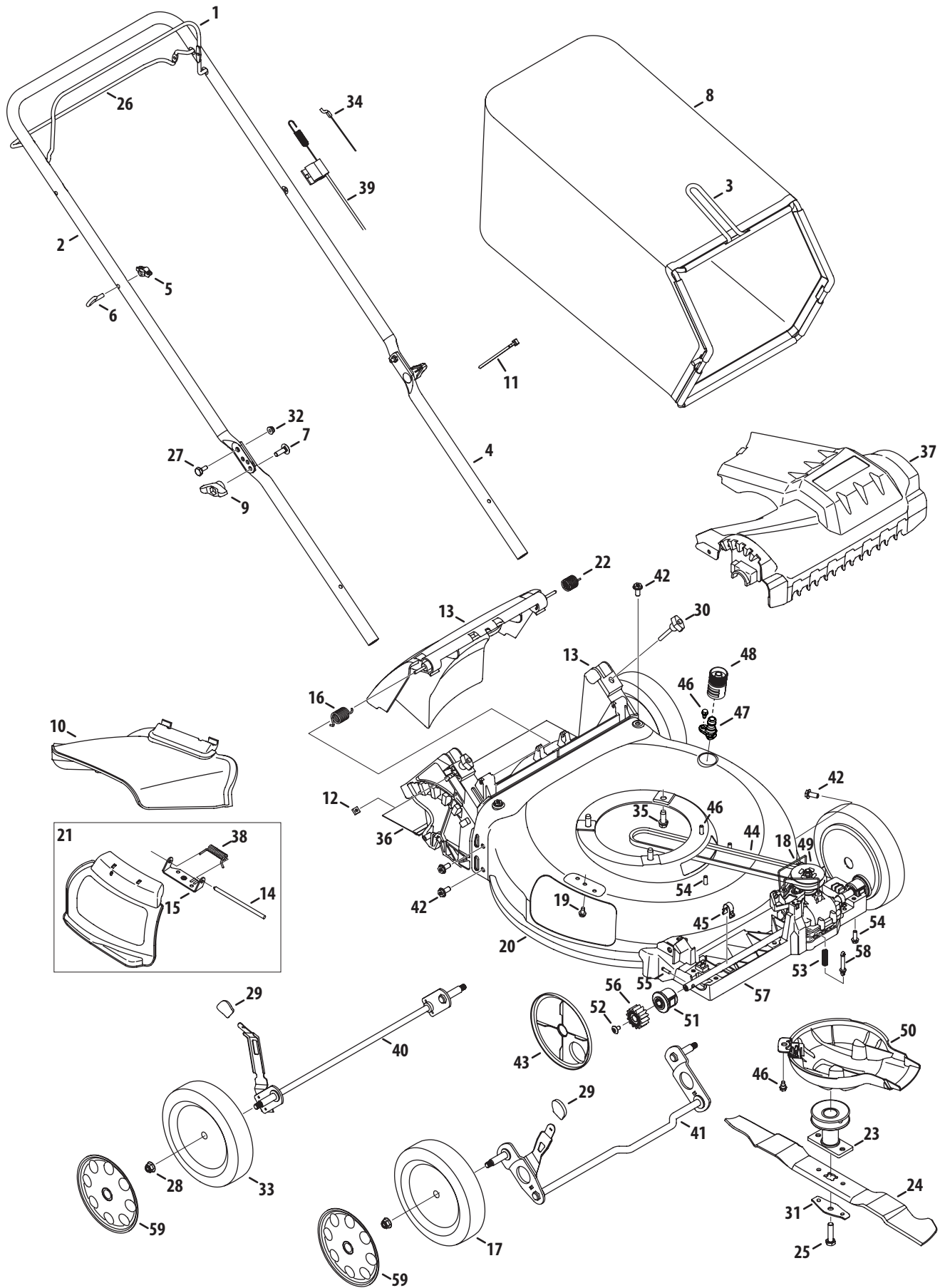
Painted Parts

When ordering painted service parts, a four digit color suffix must be added to the part number (e.g. 783-XXXX-0637). Please refer to the table below for current color codes:

0637	Black	0674	Yellow (Yard-Man)
0709	Dark Green (Bolens, Yard-Man)	0650	Metallic Red (White Outdoor)
0662	Oyster Gray (MTD Gold)	0629	Silver Flake (MTD Platinum)
0638	Red (Yard Machines, Huskee, Troy-Bilt, MTD)	04038	Day Orange (Daedong)
0691	Black Jack (MTD Gold, MasterCut)	04033	Flint Mica (Troy-Bilt XP)

Page Left Blank Intentionally

Model TB210 (12A-A25)

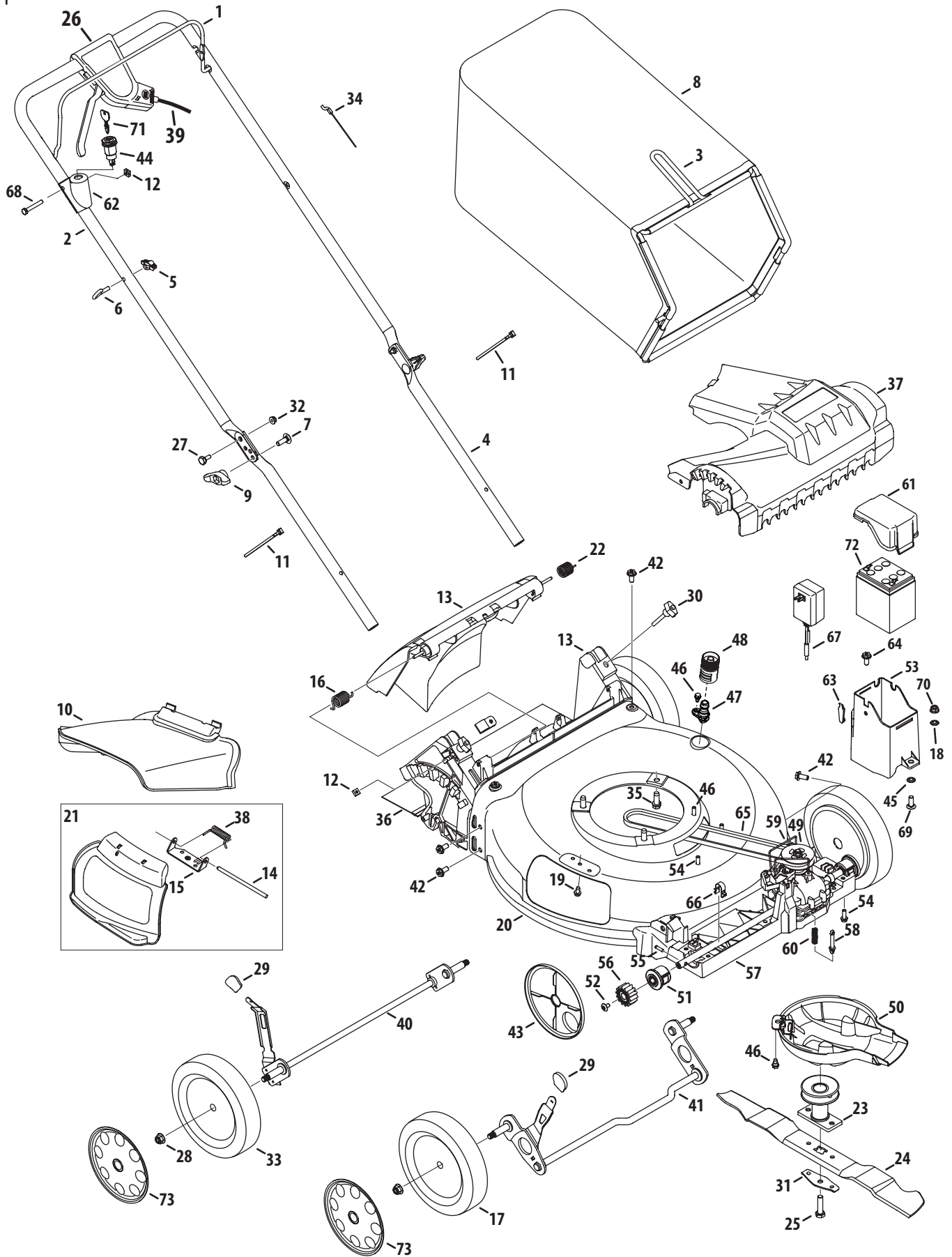


Model TB210 (12A-A25)

Ref No.	Part Number	Description
1	747-05214A	Blade Control
2	749-04681	Upper Handle
3	747-05226	Grass Catcher Frame
4	749-04608A	Lower Handle
5	720-0279	Wing Nut
6	710-1205	Rope Guide
7	710-04998	Carriage Screw ,5/16-18
8	964-04117A	Grass Bag
9	720-04124	Wing Knob
10	731-07131	Side Chute
11	725-0157	Cable Tie
12	712-04222	Nut, Sq., 1/4-20
13	631-04369A	Rear Discharge Door Assembly
	631-04371A	Rear Discharge Door Assembly- (Lowes)
14	747-0710A	Hinge Pin
15	787-01779	Chute Deflector Bracket
16	732-04673	Torsion Spring - RH
17	634-05039	Front Wheel
18	732-04675A	Transmission Wire
19	710-05073	Screw, 1/4-20 x .500
20	787-01872B	Deck , 21"
21	987-02516	Hinged Mulch Plug Assembly
22	732-04674	Torsion Spring - LH
23	687-02538	Blade Adapter Assembly
24	942-0741A	Mulching Blade
25	710-1044	Screw , 3/8-24 x 1.50
26	747-05210A	Drive Control
27	738-04419A	Sldr. Screw, .375 x .126 x 1/4-20
28	712-04217	Flange Lock Nut, 3/8-16
29	720-04131A	Adjustment Lever Knob

Ref No.	Part Number	Description
30	720-04123A	Wing Nut
31	736-0524B	Blade Bell Support
32	712-04064	Nut, Flange Lock, 1/4-20
33	634-04660	Rear Wheel
34	946-1113	Control Cable
35	710-04683A	TT Sems Screw, 3/8-16 x 1.0
36	731-07203	Trail Shield
37	731-07790	Front Cover
38	732-1014C	Torsion Spring
39	946-04728	Drive Cable
40	911-04142	Rear Axle Assembly
41	911-04150	Front Axle Assembly
42	710-04995A	Screw, 5/16-14 x .750
43	731-07240A	Wheel Dust Cover
44	954-04259A	V-Belt
45	787-01793	Front Axle Clip
46	738-04278	Scr., Shldr., 1/4-20 x .50
47	731-07487	Water Nozzle
48	921-04041	Water Nozzle Adapter
49	918-04881A	Transmission Assembly
50	931-04535B	Engine Baffle
51	941-00019	Bearing Assembly
52	710-04531	Screw, 1/4-20 x .390
53	732-04704	Compression Spring
54	710-0895	Screw, 1/4-15 x .750
55	715-04099	Dowel Pin
56	917-04801	Spur Gear, 14T - RH
	917-04802	Spur Gear, 14T - LH
57	731-07789	Lower Tray
58	731-07355	Spring Body
59	731-07198	Hubcap, 8"

Model TB280 ES (12AGA26)

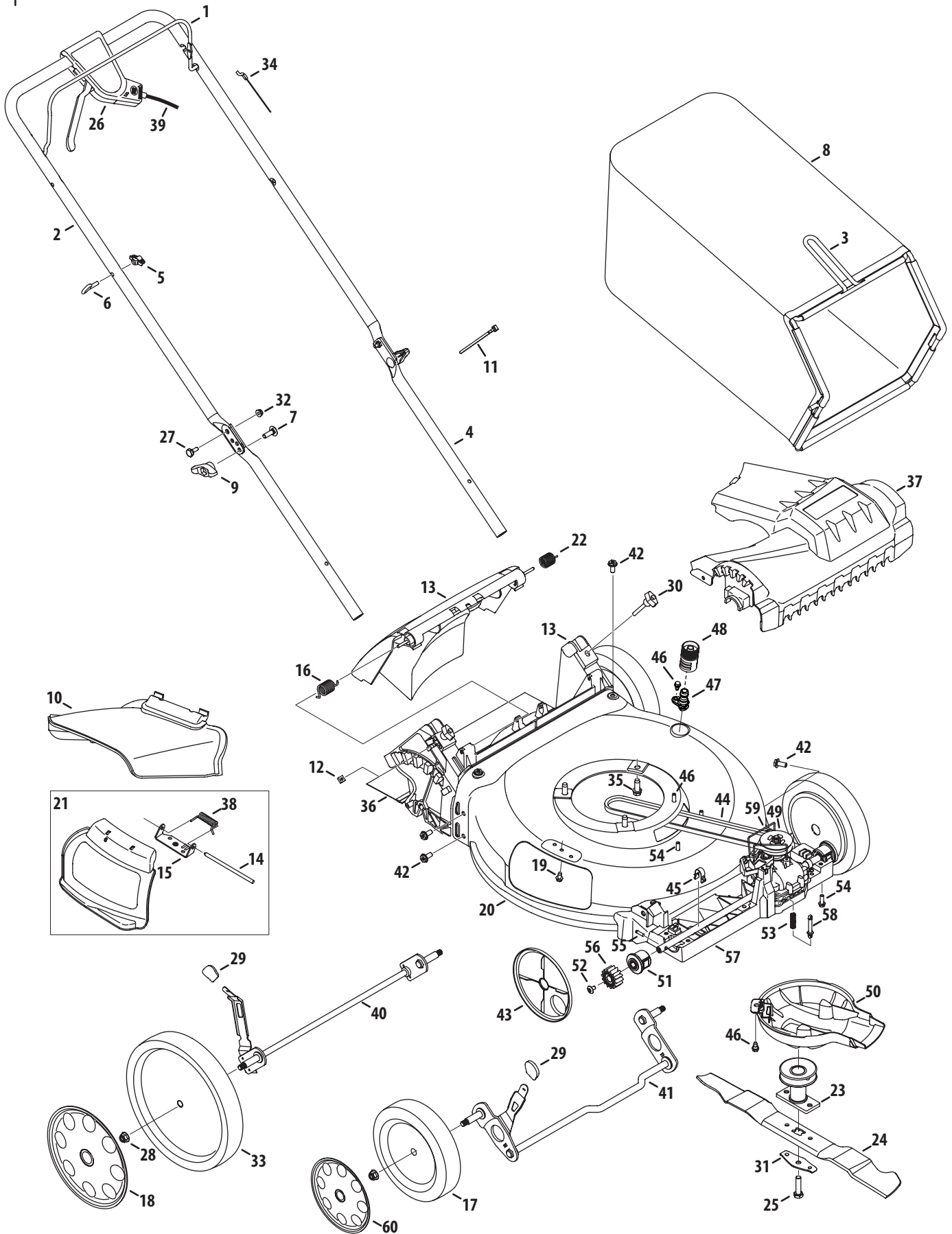


Model TB280 ES (12AGA26)

Ref No.	Part Number	Description
1	747-05267A	Blade Control
2	749-04679	Upper Handle
3	747-05226	Grass Catcher Frame
4	749-04608A	Lower Handle
5	720-0279	Wing Nut
6	710-1205	Rope Guide
7	710-04998	Carriage Screw ,5/16-18
8	964-04117A	Grass Bag
9	720-04124	Wing Knob
10	731-07131	Side Chute
11	725-0157	Cable Tie
12	712-04222	Nut, Sq., 1/4-20
13	631-04369A	Rear Discharge Door Assembly
	631-04371A	Rear Discharge Door Assembly- (Lowes)
14	747-0710A	Hinge Pin
15	787-01779	Chute Deflector Bracket
16	732-04673	Torsion Spring - RH
17	634-05039	Front Wheel
18	736-0242	Washer, Bell, .340 x .872 x .080
19	710-05073	Screw, 1/4-20 x .500
20	787-01875B	Deck , 21"
21	987-02516	Hinged Mulch Plug Assembly
22	732-04674	Torsion Spring - LH
23	687-02528	Blade Adapter Assembly
24	942-0741A	Mulching Blade
25	710-1044	Screw , 3/8-24 x 1.50
26	753-06060A	Control Lever Assembly
27	738-04419A	Sldr. Screw, .375 x .126 x 1/4-20
28	712-04217	Flange Lock Nut, 3/8-16
29	720-04131A	Adjustment Lever Knob
30	720-04127B	Wing Nut
31	736-0524B	Blade Bell Support
32	712-04064	Nut, Flange Lock, 1/4-20
33	634-04660	Rear Wheel
34	946-04661	Control Cable
35	710-04683A	TT Sems Screw, 3/8-16 x 1.0
36	731-07203	Trail Shield
37	731-07790	Front Cover

Ref No.	Part Number	Description
38	732-1014C	Torsion Spring
39	946-04655A	Drive Cable
40	911-04142	Rear Axle Assembly
41	911-04150	Front Axle Assembly
42	710-04995A	Screw, 5/16-14 x .750
43	731-07240A	Wheel Dust Cover
44	725-05112	Key Switch
45	726-0201	Speed Nut
46	738-04278	Scr., Shldr., 1/4-20 x .50
47	731-07487	Water Nozzle
48	921-04041	Water Nozzle Adapter
49	918-04881A	Transmission Assembly
50	931-04535B	Engine Baffle
51	941-00019	Bearing Assembly
52	710-04531	Screw, 1/4-20 x .390
53	731-07135	Battery Housing
54	710-0895	Screw, 1/4-15 x .750
55	715-04099	Dowel Pin
56	917-04801	Spur Gear, 14T - RH
	917-04802	Spur Gear, 14T - LH
57	731-07789	Lower Tray
58	731-07355	Spring Body
59	732-04675A	Transmission Wire
60	732-04704	Compression Spring
61	731-07154	Battery Housing Top
62	731-07155	Electric Start Housing
63	735-04213A	Lid Seal
64	738-04431A	Scr., Sldr., 5/16-14 x .972
65	954-04260	V-Belt
66	787-01793	Front Axle Clip
67	725-04329	Battery Charger
68	710-0136	Screw, 1/4-20 x 1.75
69	710-0276	Bolt, Carr., 5/16-18 x 1.00
70	912-0429	Nut, Flgk., 5/16-18
71	925-0201	Key
72	725-04903	Battery
73	731-07198	Hubcap, 8"
—	725-05015	Wire Harness (Not Shown)

Model TB230/260 (12AVB21/5/9)

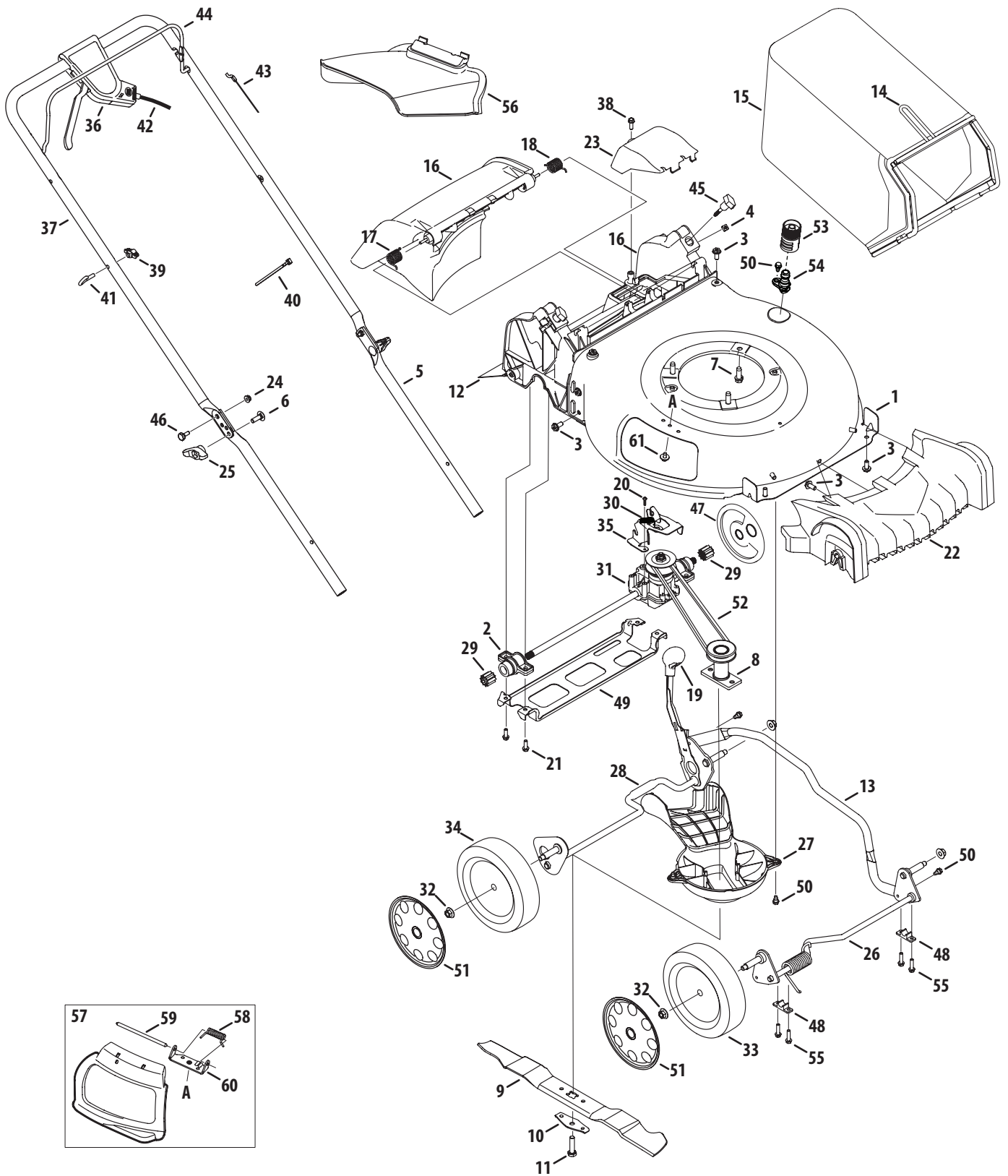


Model TB230/260 (12AVB21/5/9)

Ref No.	Part Number	Description
1	747-05267A	Blade Control
2	749-04679	Upper Handle
3	747-05226	Grass Catcher Frame
4	749-04608A	Lower Handle
5	720-0279	Wing Nut
6	710-1205	Rope Guide
7	710-04998	Carriage Screw ,5/16-18
8	964-04117A	Grass Bag
9	720-04124	Wing Knob
10	731-07131	Side Chute
11	725-0157	Cable Tie
12	712-04222	Nut, Sq., 1/4-20
13	631-04369A	Rear Discharge Door Assembly
	631-04371A	Rear Discharge Door Assembly- (Lowes)
14	747-0710A	Hinge Pin
15	787-01779	Chute Deflector Bracket
16	732-04673	Torsion Spring - RH
17	634-05039	Front Wheel
18	731-07199	Hubcap
19	710-05073	Screw, 1/4-20 x .500
20	787-01872B	Deck , 21"
21	987-02516	Hinged Mulch Plug Assembly
22	732-04674	Torsion Spring - LH
23	687-02528	Blade Adapter Assembly
24	942-0741A	Mulching Blade
25	710-1044	Screw , 3/8-24 x 1.50
26	753-06060A	Control Lever Assembly
27	738-04419A	Sldr. Screw, .375 x .126 x 1/4-20
28	712-04217	Flange Lock Nut, 3/8-16
29	720-04131A	Adjustment Lever Knob
30	720-04127B	Wing Nut

Ref No.	Part Number	Description
31	736-0524B	Blade Bell Support
32	712-04064	Nut, Flange Lock, 1/4-20
33	634-04626	Rear Wheel
34	946-04661	Control Cable
	946-04670A	Control Cable (Honda)
35	710-04683A	TT Sems Screw, 3/8-16 x 1.0
36	731-07203	Trail Shield
37	731-07790	Front Cover
38	732-1014C	Torsion Spring
39	946-04655A	Variable Speed Cable
40	911-04144A	Rear Axle Assembly
41	911-04150	Front Axle Assembly
42	710-04995A	Screw, 5/16-14 x .750
43	731-07240A	Wheel Dust Cover
44	954-04260	V-Belt
45	787-01793	Front Axle Clip
46	738-04278	Scr., Shldr., 1/4-20 x .50
47	731-07487	Water Nozzle
48	921-04041	Water Nozzle Adapter
49	918-04881A	Transmission Assembly
50	931-04535B	Engine Baffle
51	941-00019	Bearing Assembly
52	710-04531	Screw, 1/4-20 x .390
53	732-04704	Compression Spring
54	710-0895	Screw, 1/4-15 x .750
55	715-04099	Dowel Pin
56	917-04801	Spur Gear, 14T - RH
	917-04802	Spur Gear, 14T - LH
57	731-07789	Lower Tray
58	731-07355	Spring Body
59	732-04675A	Transmission Wire
60	731-07198	Hubcap, 8"

Model TB320 (12AVC35)

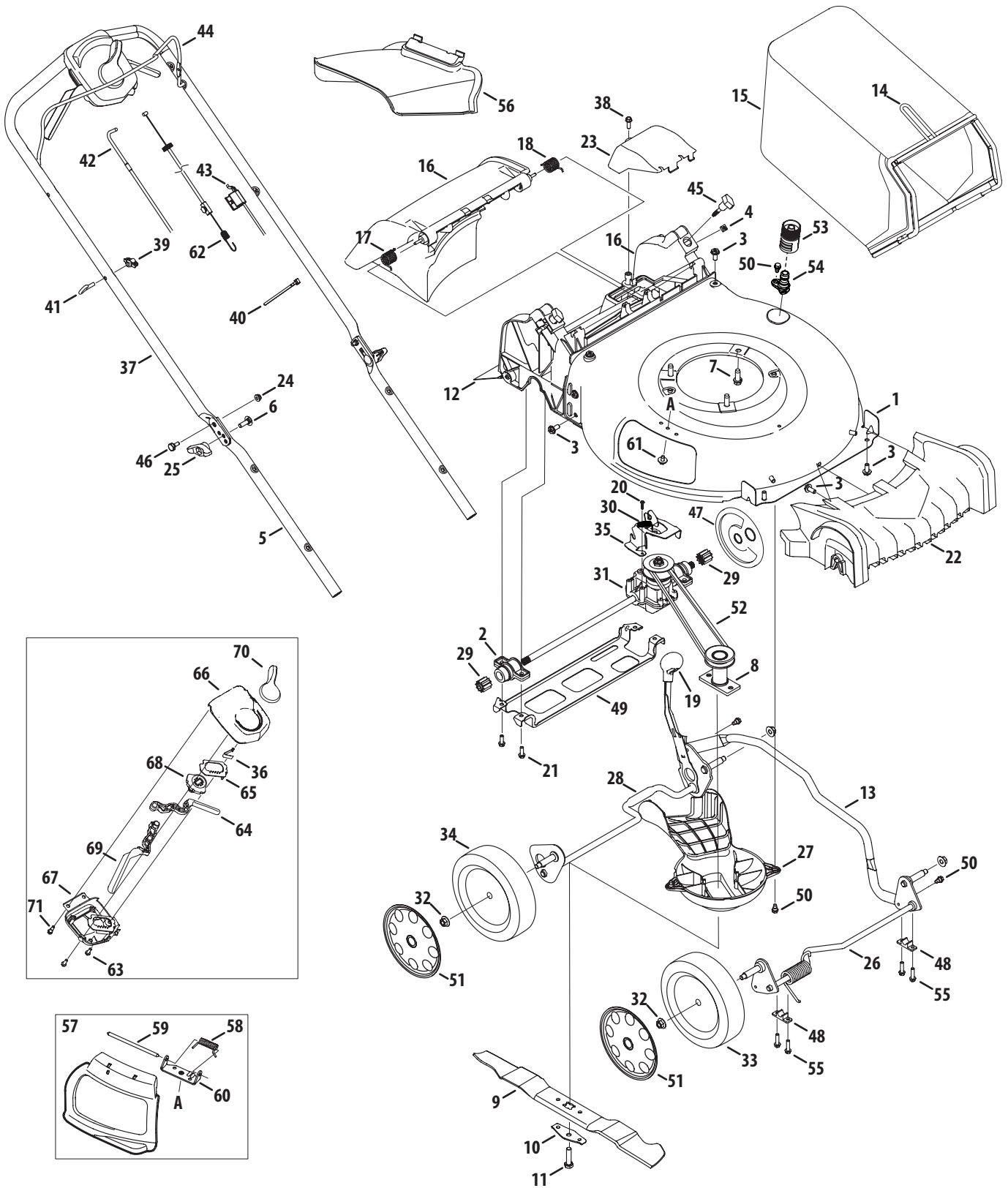


Model TB320 (12AVC35)

Ref No.	Part Number	Description
1	787-02002A	Deck , 21"
2	631-04501A	Bearing Assembly
3	710-04995A	Screw, 5/16-14 x .750
4	712-04222	Nut, Sq., 1/4-20
5	749-04608A	Lower Handle
6	710-04998	Carriage Screw ,5/16-18
7	710-04683A	Screw, 3/8-16 x 1.00
8	687-02220	Blade Adapter
9	942-0741A	Mulching Blade
10	736-0524B	Blade Bell Support
11	710-1044	Screw, 3/8-24 x 1.50
12	731-07203	Trailing Shield
13	949-04841	Cross Bracket
14	747-05362A	Grass Catcher Frame
15	964-04150B	Grass Bag
16	631-04553A	Rear Discharge Door Assembly
	631-04514A	Rear Discharge Door Assembly- (Lowes)
17	732-04673	Torsion Spring - RH
18	732-04674	Torsion Spring - LH
19	720-04113	Adjustment Lever Knob
20	710-04374	Screw, Hex Washer, .159 x .43
21	710-04774	Screw, 1/4-15 x 1.25
22	731-08160	Front Cover
23	731-08175	Transmission Cover
24	712-04064	Nut, Flange Lock, 1/4-20
25	720-04124	Wing Knob
26	911-04190A	Front Axle Assembly
27	631-04512C	Engine Baffle
28	911-04189	Rear Axle Assembly
29	917-04852	Spur Gear, 10T
30	732-04826A	Exten. Spring, 2.405

Ref No.	Part Number	Description
31	618-06038	Transmission Assembly
32	712-04217	Flange Lock Nut, 3/8-16
33	634-04660	Front Wheel
34	634-05042	Rear Wheel
35	787-01868A	Transmission Bracket
36	753-06060A	Control Lever Assembly
37	749-04679	Upper Handle
38	710-0895	Screw, 1/4-15 x .750
39	720-0279	Knob
40	725-0157	Cable Tie
41	710-1205	Rope Guide
42	946-05048	Variable Speed Cable
43	946-04661	Control Cable
44	747-05267A	Blade Control
45	720-04127B	Wing Nut
46	738-04419A	Sldr. Screw, .375 x .126 x 1/4-20
47	731-07795	Wheel Dust Cover
48	741-0492A	Bushing, Lock, .505 Dia. X .62
49	787-01915A	Rear Support Bracket
50	738-04278	Scr., Shldr., 1/4-20 x .50
51	731-07198	Hubcap, 8"
52	954-04282	V-Belt
53	921-04041	Water Nozzle Adapter
54	731-07487	Water Nozzle
55	710-1241	Screw, 1/4-15 x 1.000
56	731-07131	Side Discharge Chute
57	987-02516	Mulch Plug (Incl. 58-60)
58	732-1014C	Torsion Spring
59	747-0710A	Hinge Pin
60	787-01779	Chute Deflector Bracket
61	710-05073	Screw, 1/4-20 x .500

Model (12AKC35)

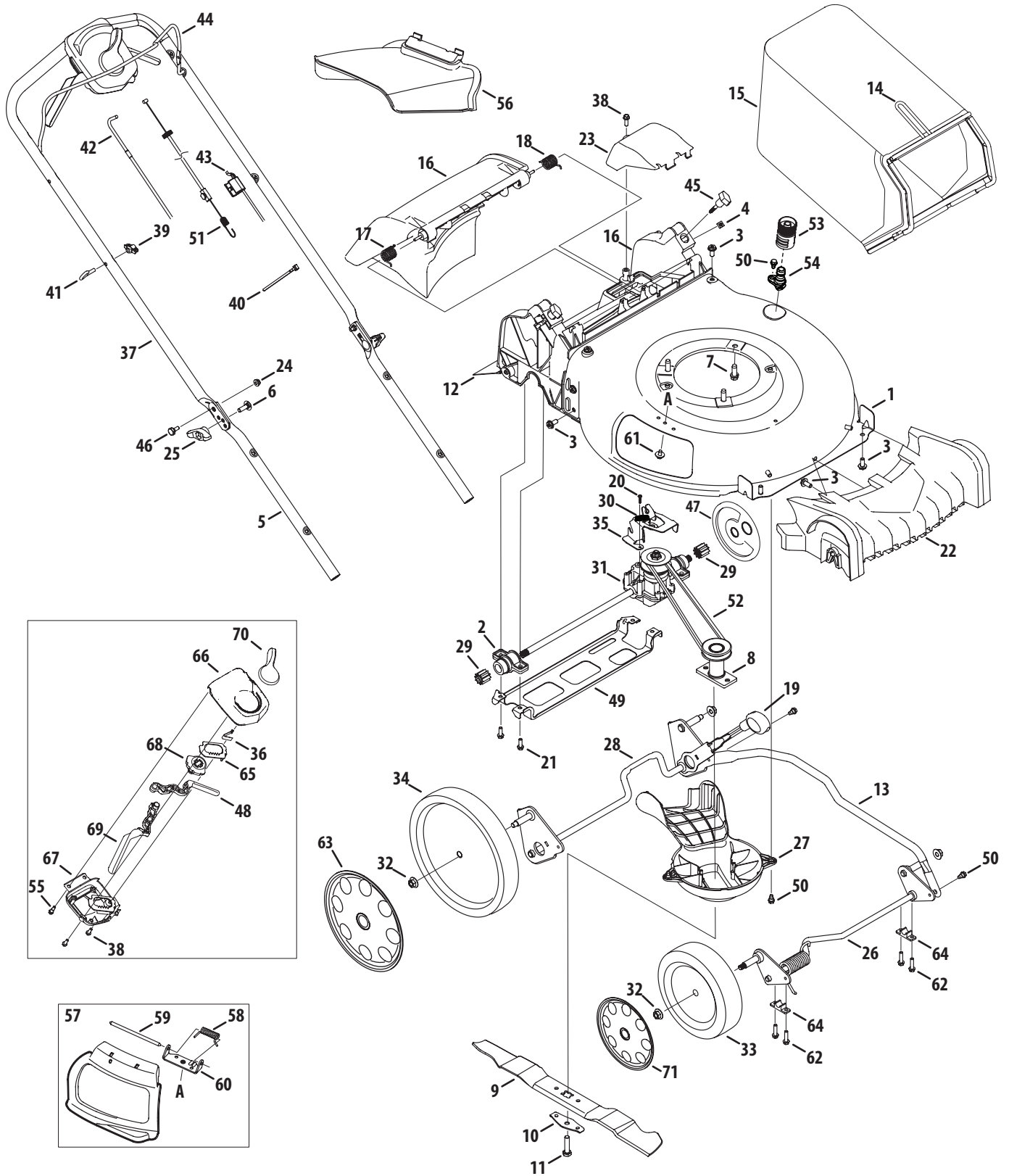


Model (12AKC35)

Ref No.	Part Number	Description
1	787-02002A	Deck , 21"
2	631-04501A	Bearing Assembly
3	710-04995A	Screw, 5/16-14 x .750
4	712-04222	Nut, Sq., 1/4-20
5	749-04608A	Lower Handle
6	710-04998	Carriage Screw ,5/16-18
7	710-04683A	Screw, 3/8-16 x 1.00
8	687-02220	Blade Adapter
9	942-0741A	Mulching Blade
10	736-0524B	Blade Bell Support
11	710-1044	Screw, 3/8-24 x 1.50
12	731-07203	Trailing Shield
13	949-04841	Cross Bracket
14	747-05362A	Grass Catcher Frame
15	964-04150B	Grass Bag
16	631-04553A	Rear Discharge Door Assembly
17	732-04673	Torsion Spring - RH
18	732-04674	Torsion Spring - LH
19	720-04113	Adjustment Lever Knob
20	710-04374	Screw, Hex Washer, .159 x .43
21	710-04774	Screw, 1/4-15 x 1.25
22	731-08160	Front Cover
23	731-07799	Transmission Cover
24	712-04064	Nut, Flange Lock, 1/4-20
25	720-04124	Wing Knob
26	911-04190A	Front Axle Assembly
27	631-04512C	Engine Baffle
28	911-04189	Rear Axle Assembly
29	917-04852	Spur Gear, 10T
30	732-04826A	Exten. Spring, 2.405
31	918-06000	Transmission Assembly
32	712-04217	Flange Lock Nut, 3/8-16
33	634-04660	Front Wheel
34	634-05042	Rear Wheel
35	787-01868A	Transmission Bracket
36	732-04937	Spring

Ref No.	Part Number	Description
37	749-04701A	Upper Handle
38	710-0895	Screw, 1/4-15 x .750
39	720-0279	Knob
40	725-0157	Cable Tie
41	710-1205	Rope Guide
42	946-04729	Speed Adjustment Cable
43	946-04661	Control Cable
44	747-05463	Blade Control
45	720-04127B	Wing Nut
46	738-04419A	Sldr. Screw, .375 x .126 x 1/4-20
47	731-07795	Wheel Dust Cover
48	741-0492A	Bushing, Lock, .505 Dia. X .62
49	787-01915A	Rear Support Bracket
50	738-04278	Scr., Shldr., 1/4-20 x .50
51	731-07198	Hubcap, 8"
52	954-04282	V-Belt
53	921-04041	Water Nozzle Adapter
54	731-07487	Water Nozzle
55	710-1241	Screw, 1/4-15 x 1.000
56	731-07131	Side Discharge Chute
57	987-02516	Mulch Plug (Incl. 58-60)
58	732-1014C	Torsion Spring
59	747-0710A	Hinge Pin
60	787-01779	Chute Deflector Bracket
61	710-05073	Screw, 1/4-20 x .500
62	946-04816	Drive Cable
63	710-0895	Screw, 1/4-15 x .750
64	731-07766	Control Lever LH
65	787-01851	Cable Adjust Plate
66	731-08750	Upper Housing
67	731-07764A	Lower Housing
68	731-07804	Speed Adjust Actuator
69	731-08759	Control Lever RH
70	731-07767A	Speed Select Lever
71	710-05204	Scr., Shldr, 1/4-15 x .970

Model (12AKD35)

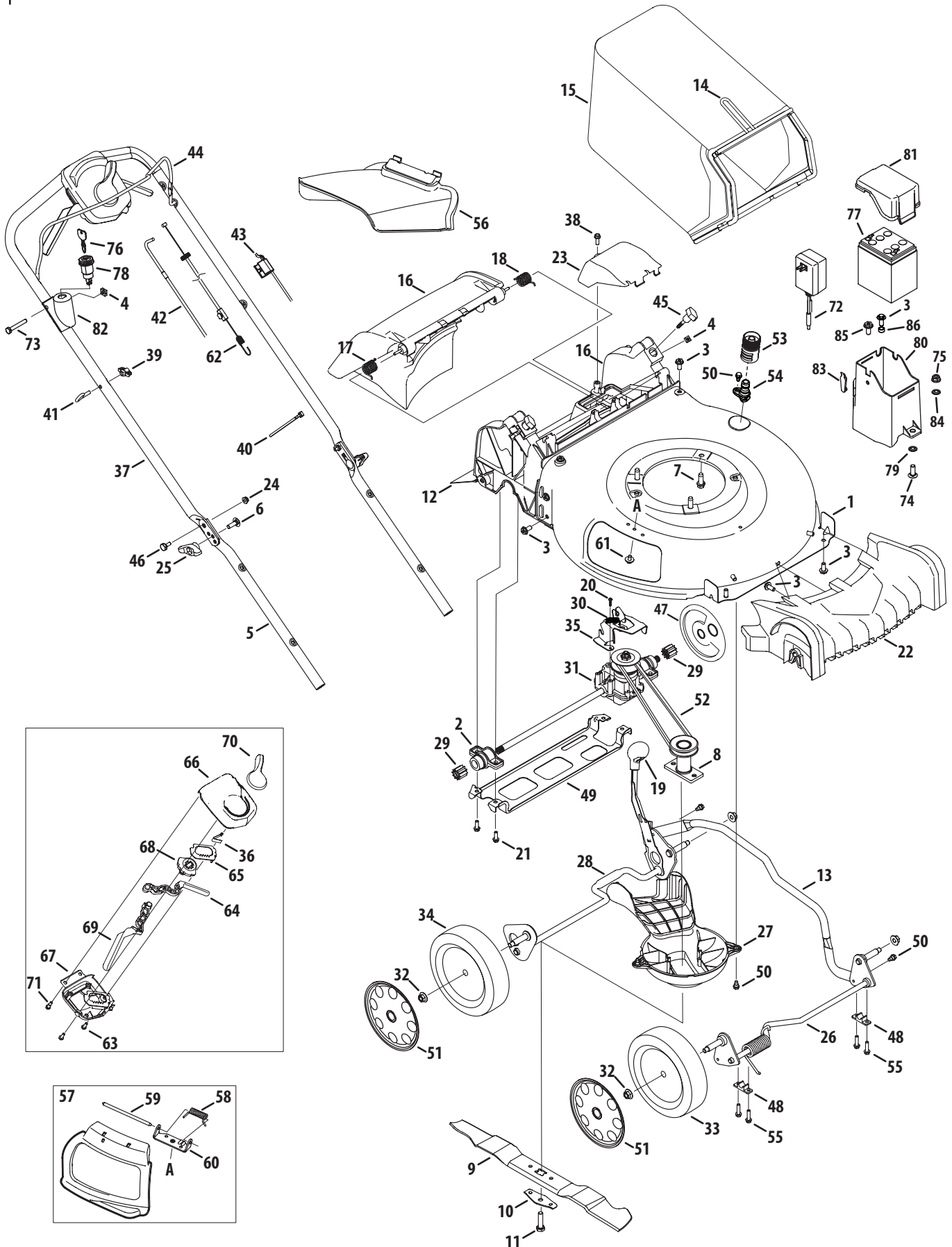


Model (12AKD35)

Ref No.	Part Number	Description
1	787-02002A	Deck , 21"
2	631-04501A	Bearing Assembly
3	710-04995A	Screw, 5/16-14 x .750
4	712-04222	Nut, Sq., 1/4-20
5	749-04608A	Lower Handle
6	710-04998	Carriage Screw ,5/16-18
7	710-04683A	Screw, 3/8-16 x 1.00
8	687-02220	Blade Adapter
9	942-0741A	Mulching Blade
10	736-0524B	Blade Bell Support
11	710-1044	Screw, 3/8-24 x 1.50
12	731-07203	Trailing Shield
13	949-04840	Cross Bracket
14	747-05362A	Grass Catcher Frame
15	964-04150B	Grass Bag
16	631-04553A	Rear Discharge Door Assembly
17	732-04673	Torsion Spring - RH
18	732-04674	Torsion Spring - LH
19	720-04113	Adjustment Lever Knob
20	710-04374	Screw, Hex Washer, .159 x .43
21	710-04774	Screw, 1/4-15 x 1.25
22	731-08160	Front Cover
23	731-07799	Transmission Cover
24	712-04064	Nut, Flange Lock, 1/4-20
25	720-04124	Wing Knob
26	911-04191A	Front Axle Assembly
27	631-04512A	Engine Baffle
28	911-04192	Rear Axle Assembly
29	917-04849	Spur Gear, 9T
30	732-04826A	Exten. Spring, 2.405
31	918-06000	Transmission Assembly
32	712-04217	Flange Lock Nut, 3/8-16
33	634-04660	Front Wheel
34	934-04666	Rear Wheel
35	787-01868A	Transmission Bracket
36	732-04937	Spring

Ref No.	Part Number	Description
37	749-04701A	Upper Handle
38	710-0895	Screw, 1/4-15 x .750
39	720-0279	Knob
40	725-0157	Cable Tie
41	710-1205	Rope Guide
42	946-04816	Drive Cable
43	946-04661	Control Cable
44	747-05463	Blade Control
45	720-04127B	Wing Nut
46	738-04419A	Sldr. Screw, .375 x .126 x 1/4-20
47	731-07731B	Wheel Dust Cover
48	731-07766	Control Lever LH
49	787-01915A	Rear Support Bracket
50	738-04278	Scr., Shldr., 1/4-20 x .50
51	946-04729	Speed Adjustment Cable
52	954-04282	V-Belt
53	921-04041	Water Nozzle Adapter
54	731-07487	Water Nozzle
55	710-05204	Scr., Shldr, 1/4-15 x .970
56	731-07131	Side Discharge Chute
57	987-02516	Mulch Plug (Incl. 58-60)
58	732-1014C	Torsion Spring
59	747-0710A	Hinge Pin
60	787-01779	Chute Deflector Bracket
61	710-05073	Screw, 1/4-20 x .500
62	710-1241	Screw, 1/4-15 x 1.000
63	731-07199	Hubcap, 11"
64	741-0492A	Bushing, Lock, .505 Dia. X .62
65	787-01851	Cable Adjust Plate
66	731-08750	Upper Housing
67	731-07764A	Lower Housing
68	731-07804	Speed Adjust Actuator
69	731-08759	Control Lever RH
70	731-07767A	Speed Select Lever
71	731-07198	Hubcap, 8"

Model (12ALC35)



Ref No.	Part Number	Description
1	787-02003A	Deck , 21"
2	631-04501A	Bearing Assembly
3	710-04995A	Screw, 5/16-14 x .750
4	712-04222	Nut, Sq., 1/4-20
5	749-04608A	Lower Handle
6	710-04998	Carriage Screw ,5/16-18
7	710-04683A	Screw, 3/8-16 x 1.00
8	687-02220	Blade Adapter
9	942-0741A	Mulching Blade
10	736-0524B	Blade Bell Support
11	710-1044	Screw, 3/8-24 x 1.50
12	731-07203	Trailing Shield
13	949-04841	Cross Bracket
14	747-05362A	Grass Catcher Frame
15	964-04150B	Grass Bag
16	631-04553A	Rear Discharge Door Assembly
17	732-04673	Torsion Spring - RH
18	732-04674	Torsion Spring - LH
19	720-04113	Adjustment Lever Knob
20	710-04374	Screw, Hex Washer, .159 x .43
21	710-04774	Screw, 1/4-15 x 1.25
22	731-08160	Front Cover, No Logo
	731-09601	Front Cover, TB Logo
23	731-07799	Transmission Cover
24	712-04064	Nut, Flange Lock, 1/4-20
25	720-04124	Wing Knob
26	911-04190A	Front Axle Assembly
27	631-04512C	Engine Baffle
28	911-04189	Rear Axle Assembly
29	917-04852	Spur Gear, 10T
30	732-04826A	Exten. Spring, 2.405
31	918-06000	Transmission Assembly
32	712-04217	Flange Lock Nut, 3/8-16
33	634-04660	Front Wheel
34	634-05042	Rear Wheel
35	787-01868A	Transmission Bracket
36	732-04937	Spring
37	749-04701A	Upper Handle
38	710-0895	Screw, 1/4-15 x .750

Ref No.	Part Number	Description
39	720-0279	Knob
40	725-0157	Cable Tie
41	710-1205	Rope Guide
42	946-04729	Speed Adjustment Cable
43	946-04661	Control Cable
44	747-05463	Blade Control
45	720-04127B	Wing Nut
46	738-04419A	Sldr. Screw, .375 x .126 x 1/4-20
47	731-07795	Wheel Dust Cover
48	741-0492A	Bushing, Lock, .505 Dia. X .62
49	787-01915A	Rear Support Bracket
50	738-04278	Scr., Shldr., 1/4-20 x .50
51	731-07198	Hubcap, 8"
52	954-04282	V-Belt
53	921-04041	Water Nozzle Adapter
54	731-07487	Water Nozzle
55	710-1241	Screw, 1/4-15 x 1.000
56	731-07131	Side Discharge Chute
57	987-02516	Mulch Plug (Incl. 58-60)
58	732-1014C	Torsion Spring
59	747-0710A	Hinge Pin
60	787-01779	Chute Deflector Bracket
61	710-05073	Screw, 1/4-20 x .500
62	946-04816	Drive Cable
63	710-0895	Screw, 1/4-15 x .750
64	731-07766	Control Lever LH
65	787-01851	Cable Adjust Plate
66	731-08750	Upper Housing
67	731-07764A	Lower Housing
68	731-07804	Speed Adjust Actuator
69	731-08759	Control Lever RH
70	731-07767A	Speed Select Lever
71	710-05204	Scr., Shldr, 1/4-15 x .970
72	725-04329	Battery Charger
73	710-0136	Screw, 1/4-20 x 1.75
74	710-0276	Bolt, Carr., 5/16-18 x 1.00
75	912-0429	Nut, FlgIk., 5/16-18
76	925-0201	Key
77	725-04903	Battery

Continued on next page

Model (12ALC35)

Ref No.	Part Number	Description
78	725-05112	Key Switch
79	726-0201	Speed Nut
80	731-07135	Battery Housing
81	731-07154	Battery Housing Top
82	731-07155	Electric Start Housing
83	735-04213A	Lid Seal
84	736-0242	Washer, Bell, .340 x .872 x .080
85	738-04431A	Scr., Sldr., 5/16-14 x .972
86	750-05377	Spacer, .340 x .460 x .246
—	725-05015	Wire Harness (Not Shown)

Page Left Blank Intentionally



To order replacement parts or locate your nearest service dealer call a Customer Support at (800) 800-7310.
or visit www.mtdproducts.com to find the nearest authorized dealer in your area.

MTD LLC, P.O. BOX 361131 CLEVELAND, OHIO 44136-0019
