

RYOBI®
EXPAND-IT™
ATTACHMENTS

ACT05

ORIGINAL INSTRUCTIONS

Cultivator Attachment



Important!

It is essential that you read the instructions in this manual before assembling, operating, and maintaining the product.

Subject to technical modification.

Safety, performance, and dependability have been given top priority in the design of your cultivator attachment.

INTENDED USE

This cultivator attachment is approved for use with RYOBI petrol-driven powerhead, RPH254A, RLT254CDSO, RLT254SDSO, RBC254SESO, and RBC254SBSO; and battery-driven powerheads, RPH3600, RLT36X33S, and RLT36B33S. The product is not compatible with RYOBI corded powerheads.

The product is only intended for use outdoors by a standing operator walking with the product. For safety reasons, the product must be adequately controlled by using two-handed operation at all times.

The product is designed for cultivating or loosening soil in an open domestic garden area. The maximum working depth of the product is 20.3 cm deep and 25.7 cm wide.

The product should only be used as described in this manual and should not be used for any other purpose.

GENERAL SAFETY WARNINGS

⚠ WARNING

When using the product, the safety rules must be followed. For your own safety and that of bystanders, please read these instructions before operating the product. Please keep the instructions safe for later use.

⚠ WARNING

This product is not intended to be used by children or persons with reduced physical, mental or sensory capabilities. Children should be adequately supervised to ensure they do not play with the product.

TRAINING

- Read the instructions carefully. Be familiar with the controls and the correct use of the product.
- Never allow children, persons with reduced physical, sensory or mental capabilities or lack of experience and knowledge, or people unfamiliar with these instructions to use the product. Local regulations may restrict the age of the operator.
- Keep in mind, that the operator or user is responsible for accidents or hazards occurring to other people or their property.
- Keep bystanders, children and pets 15 m away from the area of operation. Stop the product if anyone enters the area.
- Never use the product while tired, ill or under the influence of alcohol, drugs or medicine.

PREPARATION

- Some regions have regulations that restrict the use of the product to some operations. Check with your local authority for advice.
- Wear full eye and hearing protection while operating the product.

- Hearing protection may restrict the operator's ability to hear warning sounds, pay particular attention to potential hazards around and inside the working area.
- Wear heavy, long trousers, boots, and gloves. Do not wear loose fitting clothing, short trousers, jewellery of any kind, or use with bare feet.
- Secure long hair so it is above shoulder level to prevent entanglement in moving parts.
- Before use and after any impact, check that there are no damaged parts. A defective switch or any part that is damaged or worn should be properly repaired or replaced by an authorised service facility.
- Make sure that the cutting attachment is properly installed and securely fastened.
- Before using, always visually inspect to see that the blade, blade bolts, and cutter assembly are not worn or damaged. Replace worn or damaged blade and bolts in sets to preserve balance.
- Never operate the product unless all guards, deflectors, and handles are properly and securely attached.
- Consider the environment in which you are working. Keep the working area free from wires, sticks, stones, and debris which if struck by the cutter can become thrown objects.

FOR ASSEMBLING WITH PETROL-DRIVEN POWER HEAD

- Never start or run the engine in a closed or poorly ventilated area; breathing exhaust fumes can kill.
- Do not touch area around the silencer or cylinder of the product, these parts get hot from operation.
- Always stop the engine and allow it to cool before making any adjustments.
- Do not smoke when mixing fuel or filling fuel tank.
- Mix and store fuel in a container approved for fuel.
- Mix fuel outdoors where there are no sparks or flames. Wipe up any fuel spillage. Move 9 m away from refueling site before starting engine.
- Stop the engine and allow to cool before refueling or storing the product.
- Allow the engine to cool; empty the fuel tank and oil tank (if applicable); and secure the product from moving before transporting in a vehicle.

⚠ WARNING

When the throttle trigger is released and the engine is running at idle speed, the blade must not move. If it does continue to move, there is risk of severe injury to the operator. Do not use the product. Return it to an authorised service centre for professional adjustment.

FOR ASSEMBLING WITH BATTERY-DRIVEN POWER HEAD

- Recharge only with the charger specified by the manufacturer. A charger that is suitable for one type of battery pack may create a risk of fire when used with another battery pack.
- Use power tools only with specifically designated

battery packs. Use of any other battery packs may create a risk of injury and fire.

- When battery pack is not in use, keep it away from other metal objects, like paper clips, coins, keys, nails, screws or other small metal objects, that can make a connection from one terminal to another. Shorting the battery terminals together may cause burns or a fire.
- Under abusive conditions, liquid may be ejected from the battery; avoid contact. If contact accidentally occurs, flush with water. If liquid contacts eyes, additionally seek medical help. Liquid ejected from the battery may cause irritation or burns.

CULTIVATOR SAFETY WARNINGS

- The cultivator must match with the "J" handle.
- Wear a face filter in dusty conditions to reduce the risk of injury associated with the inhalation of dust.
- Use the product across the face of slopes, never up and down. Exercise extreme caution when changing direction on slopes.
- Exercise extreme caution when reversing or pulling the product towards you.
- Never pick up or carry the product while the motor/engine is running.
- Do not operate the product near underground electric cables, telephone lines, pipes, or hoses.
- Do not use the product on rocky surfaces.
- Use the product only in daylight or good artificial light.
- Keep proper footing and balance at all times, especially on slopes.
- Do not walk backwards when using the product.
- Walk, never run with the product.
- Do not use the product near drop-offs, ditches, excessively steep slopes, or embankments. Poor footing could cause a slip-and-fall accident.
- Exercise extreme caution when working on difficult soil. If the soil is very hard, water a few days before cultivation.
- Avoid working the soil when soggy or wet. Wait a day or two after heavy rain for the ground to dry.
- Keep hands and feet away from the rotating tines at all times and especially when turning on the motor or when the engine is running.
- Beware of objects thrown by the rotating tines. Clear debris like small stones, gravel, and other foreign objects from the work area before starting operation. Wires or string may become entangled with the rotating tines.
- Beware, the tines continue to rotate after the motor is turned off.
- Turn off the product, and make sure that all moving parts have come to a complete stop:
 - before servicing
 - before leaving the product unattended
 - before leaning the product or clearing a blockage
 - before changing accessories

- checking for any damage after hitting an object
- checking for any damage if the product starts to vibrate abnormally
- performing maintenance
- Always ensure that ventilation openings are kept clear of debris.
- Make sure that all the protective devices are fitted and in good condition.
- Do not modify the product in any way as this may increase the risk of injury to yourself or others.

⚠ CAUTION

The product may bounce upward and/or jump forward if the tines strike extremely hard packed soil, frozen ground, or buried obstacles such as large stones, roots, and stumps.

⚠ CAUTION

Before moving the product from one area to another, turn off the product, and wait for the tines to come to a complete stop. Be careful not to let the tines touch the ground while moving the product. The tines, as well as the product itself, may be damaged even if the motor is switched off.

OPERATING TIPS

- To reduce the risk of injury from contact with the moving parts or from thrown objects, the operator must stand behind the handle.
- Always wear eye protection. Always wear non-slip safety footwear when operating the product.
- While the product will cut and help clear underground vegetation and roots, the tines could become tangled in heavy vegetation or stubble above ground. Clear the area to be cultivated with a brushcutter or other similar means and prepare the ground by removing any large debris, such as stones, bricks, and metal poles from the surface.
- Keeping hands and feet away from the tines. While securely holding the handle, lower the tines onto the ground. The product may try to pull itself forward at this point depending upon the hardness of the ground. Resist the pull of the product to go forward, and the tines should start to bury themselves into the ground. If they do not, use a reverse-and-forward (about 20 cm is sufficient) to assist the tines to get to their working depth.
- Once the tines are in the ground to the depth required, slowly move the product forward, letting the motor do the work. If the tines strike some object too hard to move or cut, the product may raise its height as the tines try to pass over the obstruction. Stop the product and allow the tines to cease all movement before attempting to investigate or remove the obstruction.
- If the ground to be cultivated is hard or dry, it is better to water the ground, but do not soak it completely and

allow time for the water to penetrate the ground and for the excess to drain away before attempting to cultivate.

TRANSPORTATION AND STORAGE

- Stop the product, and make sure that all moving parts have come to a complete stop. Allow the product to cool down before storing or transporting.
- Clean all foreign materials from the product. Store the product in a cool, dry, and well-ventilated place that is inaccessible to children. Keep away from corrosive agents such as garden chemicals and de-icing salts. Do not store the product outdoors.
- Wipe the tines with oil or spray them with silicone lubricant to prevent rusting. Beware of sharp or damaged edges on tines.
- Oil all visible moving parts. Do not remove the motor/engine cover.
- For transportation in a vehicle, secure the product against movement or falling to prevent injury to persons or damage to the product.

MAINTENANCE

WARNING

Use only original manufacturer's replacement parts, accessories and attachments. Failure to do so can cause possible injury, can contribute to poor performance, and may void your warranty.

WARNING

Servicing requires extreme care and knowledge and should be performed only by a qualified service technician. Have the product serviced by an authorised service centre only. When servicing, use only original replacement parts.

WARNING

Before inspecting, cleaning, or servicing the product, unplug the power cord and wait for all moving parts to stop. Failure to follow these instructions can result in serious personal injury or property damage.

WARNING

Do not, at any time, let brake fluids, gasoline, petroleum-based products, or penetrating oils come in contact with plastic parts. They contain chemicals that can damage, weaken, or destroy plastic.

WARNING

The tines are sharp. Use caution and wear heavy-duty gloves when fitting, replacing, cleaning, or checking bolt security.

- Turn off the product, and make sure all moving parts have come to a complete stop before conducting any

maintenance or cleaning work.

- You may only make adjustments or repairs described in this manual. For other repairs, contact the authorised service centre.
- Avoid using solvents when cleaning plastic parts. Most plastics are susceptible to damage from various types of commercial solvents and may be damaged by their use. Use clean cloths to remove dirt, dust, oil, or grease.
- After each use, clean the body and handles of the product with a soft, dry cloth, and clean the debris from the tines with a stiff brush.
- Check all nuts, bolts, and screws at frequent intervals for proper tightness to ensure the product is in safe working condition.
- Only the parts shown on the replacement part list are intended to be repaired or replaced by the customer.

RESIDUAL RISKS

Even when the product is used as prescribed, it is still impossible to completely eliminate certain residual risk factors. The following hazards may arise in use and the operator should pay special attention to avoid the following:

- injury caused by vibration
 - Always use the right tool for the job. Use designated handles and restrict working time and exposure.
- injury caused by noise
 - Exposure to noise can cause hearing injury. Wear ear protection and limit exposure.
- injury from contact with the tines
- injury caused by thrown objects

RISK REDUCTION

It has been reported that vibrations from handheld tools may contribute to a condition called Raynaud's Syndrome. Symptoms may include tingling, numbness and blanching of the fingers, usually apparent upon exposure to cold. Hereditary factors, exposure to cold and dampness, diet, smoking, and work practices are all thought to contribute to the development of these symptoms. There are measures that can be taken by the operator to possibly reduce the effects of vibration:

- Keep your body warm in cold weather. When operating the unit, wear gloves to keep the hands and wrists warm. It is reported that cold weather is a major factor contributing to Raynaud's Syndrome.
- After each period of operation, exercise to increase blood circulation.
- Take frequent work breaks. Limit the amount of exposure per day.

If you experience any of the symptoms of this condition, immediately discontinue use and see your physician.

WARNING

Injuries may be caused, or aggravated, by prolonged use of a tool. When using any tool for prolonged periods, ensure to take regular breaks.

WHAT'S IN THE BOX

- Cultivator attachment x1
- Top clamp x1
- "J" handle x1
- Shield x1
- Operator's manual x1
- Flat washer x2
- Hitch pin x2
- Nut x4
- Bolt x4
- Outer tine D x1
- Inner tine C x1
- Inner tine B x1
- Outer tine A x1

SYMBOLS ON THE PRODUCT



Safety alert



Beware of thrown or flying objects. Keep all bystanders, especially children and pets, at least 15 m away from the operating area.



Read and understand all instructions before operating the product, follow all warnings and safety instructions.



Wear eye protection.



Wear hearing protection.



Keep feet and hands away from rotating tines.



Waste electrical products should not be disposed of with household waste. Please recycle where facilities exist. Check with your local authority or retailer for recycling advice.

SYMBOLS IN THIS MANUAL



Parts or accessories sold separately



Note



Warning

The following signal words and meanings are intended to explain the levels of risk associated with this product.

DANGER

Indicates an imminently hazardous situation, which, if not avoided, will result in death or serious injury.

WARNING

Indicates a potentially hazardous situation, which, if not avoided, could result in death or serious injury.

CAUTION

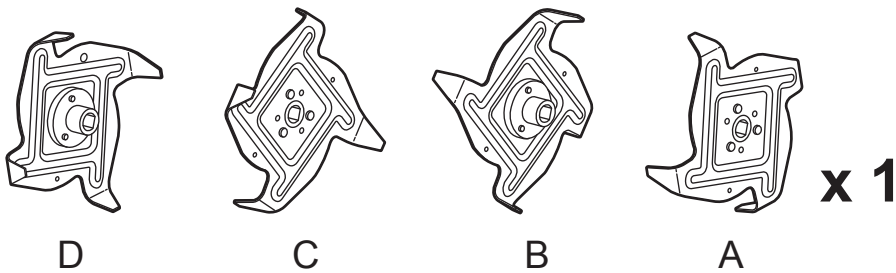
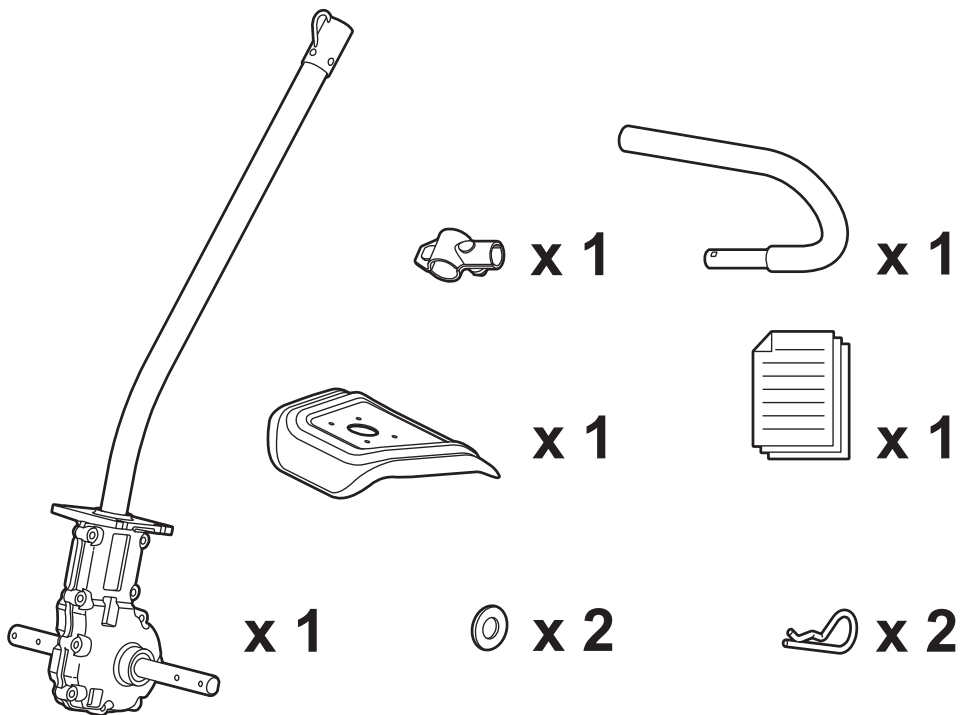
Indicates a potentially hazardous situation, which, if not avoided, may result in minor or moderate injury.

CAUTION

Without safety alert symbol

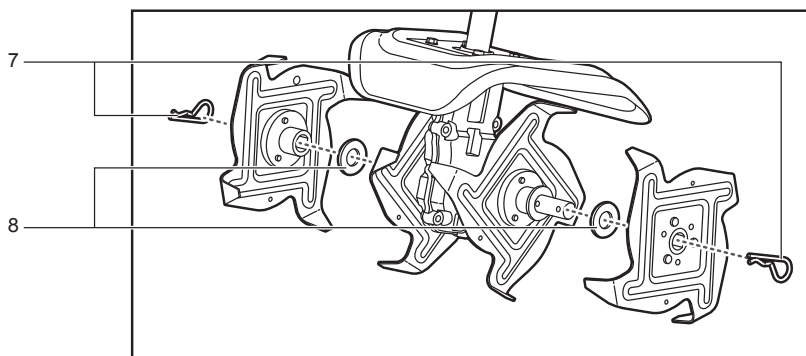
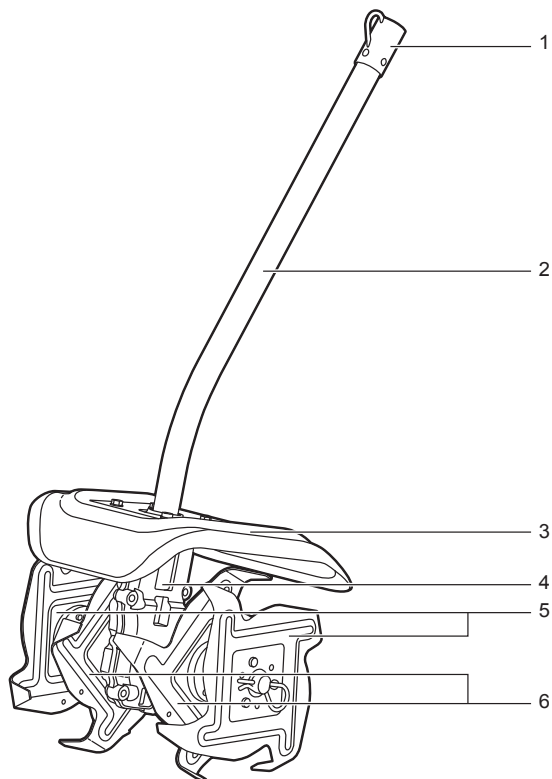
Indicates a situation that may result in property damage.

WHAT'S IN THE BOX

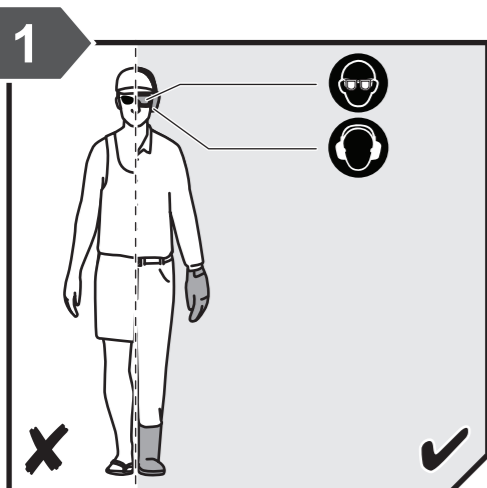


KNOW YOUR PRODUCT

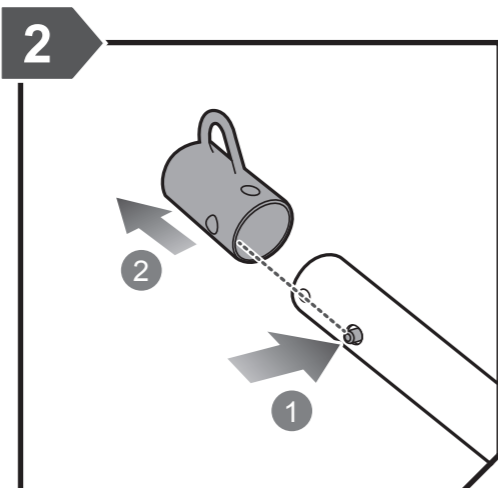
1. Hanger cap
2. Cultivator attachment shaft
3. Shield
4. Gear box
5. Outer tine
6. Inner tine
7. Hitch pin
8. Flat washer



GETTING STARTED

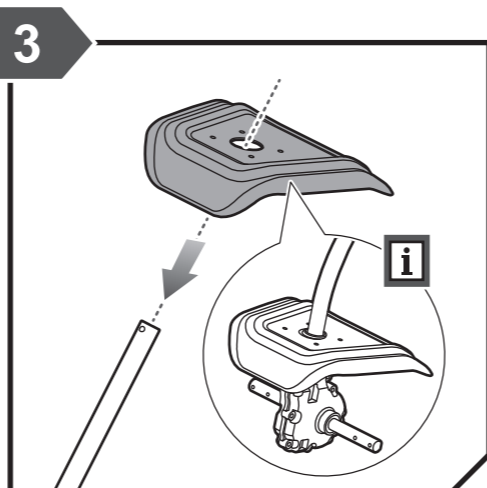


Always wear safety goggles or safety glasses with side shields when operating the product. Failure to do so could result in objects being thrown into your eyes resulting in possible serious injury.

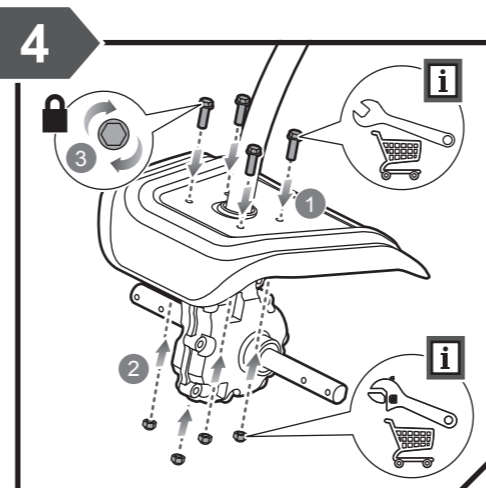


Release the hook.

GETTING STARTED

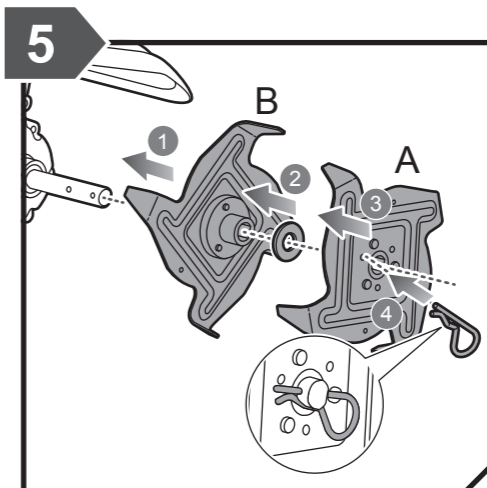


Install the metal cover.

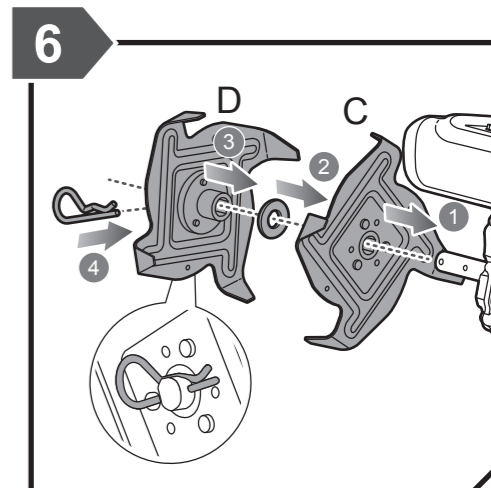


Install and tighten the screw onto the metal cover.

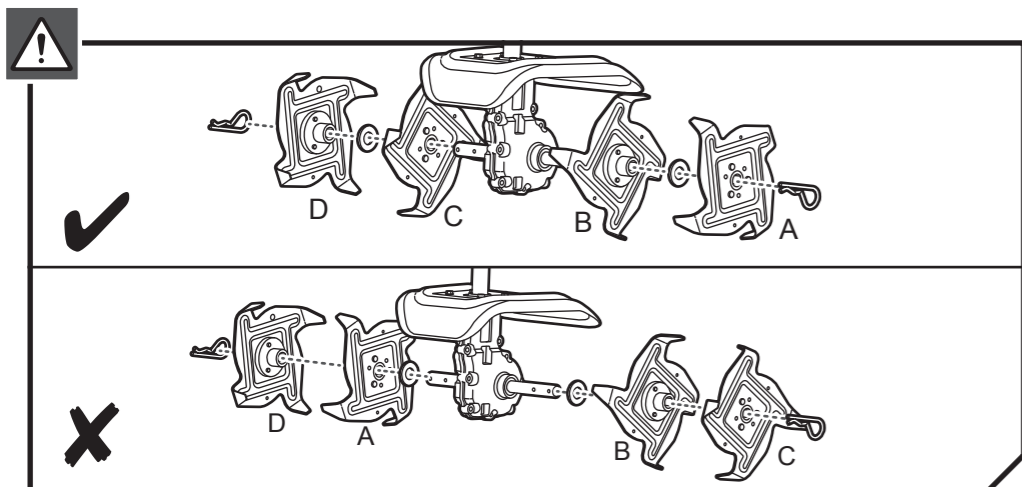
GETTING STARTED



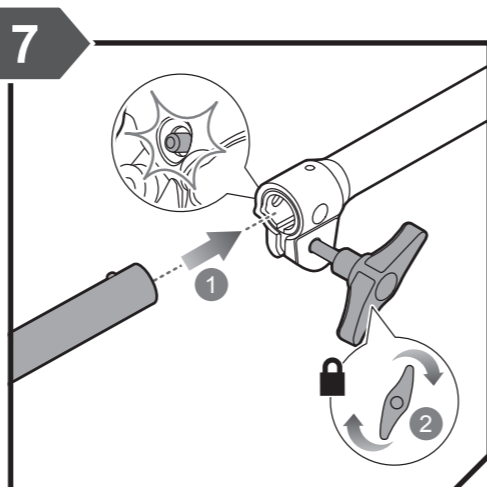
Place tine B on the tine shaft to the right of the gear box. The stamped side of the tine should face away from the gear box. Place a felt washer on the tine shaft. Place the outer tine labeled A on the right side of the tine shaft. The stamped side should face in toward tine B. To secure the tines to the tine shaft, insert the hitch pin into the holes located on the side of the tine shaft.



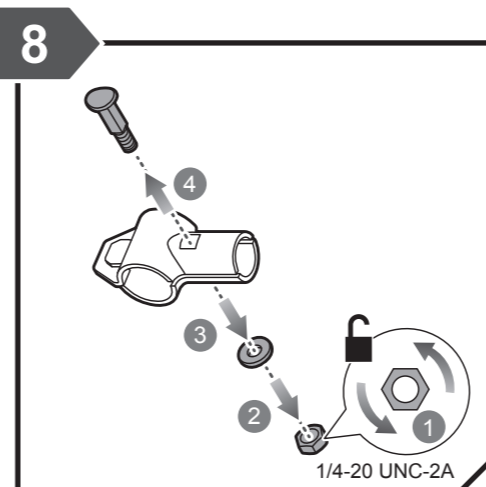
Place tine C on the tine shaft to the left of the gear box. The stamped side of the tine should face away from the gear box. Place a felt washer on the tine shaft. Place the outer tine labeled D on the left side of the tine shaft. The stamped side should face in toward tine C. To secure the tines to the tine shaft, insert the hitch pin into the holes located on the side of the tine shaft.



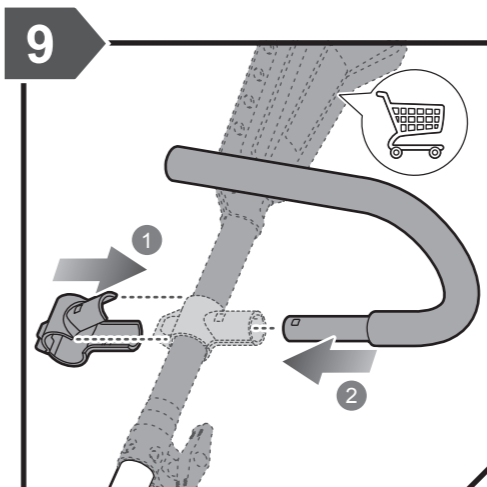
NOTE: The unit will not operate properly if the tines are installed incorrectly.



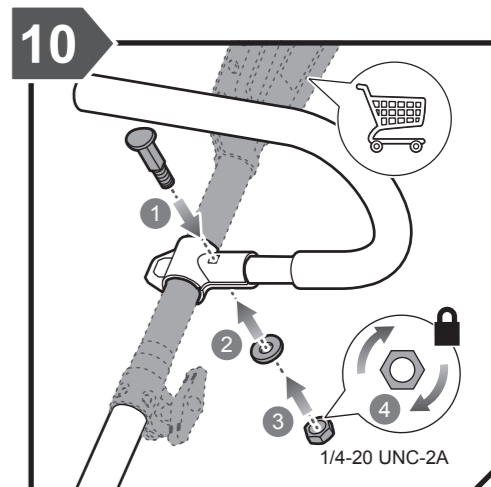
Attach the lower shaft. Tighten the knob securely.



Remove the nut, flat washer, and bolt from the top clamp.

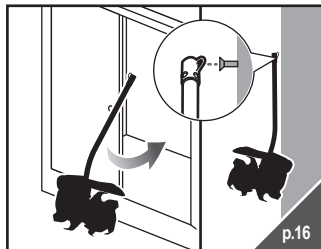
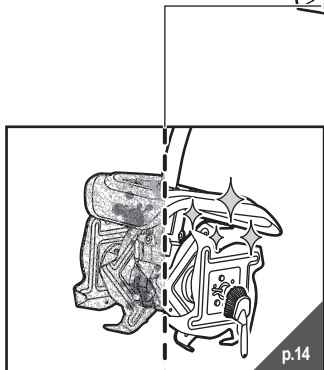
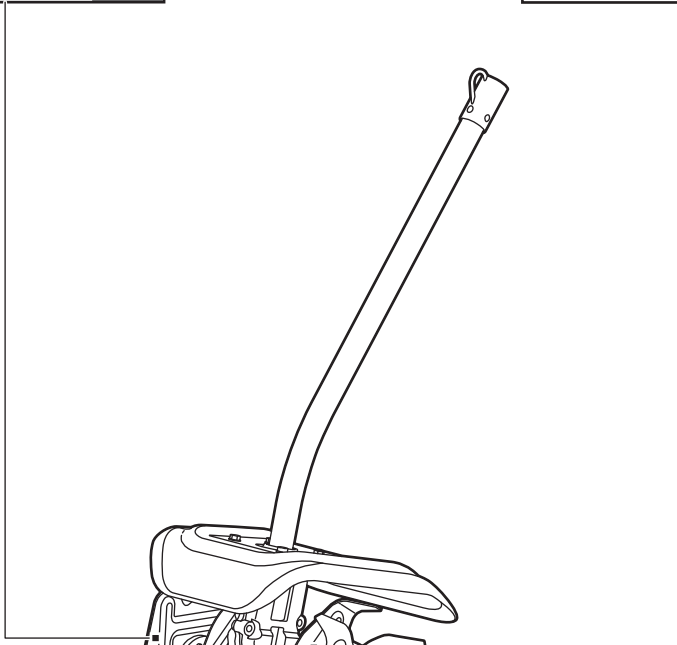
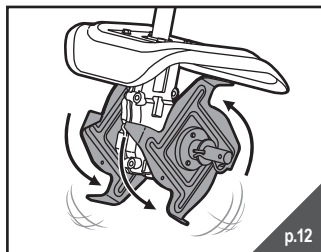
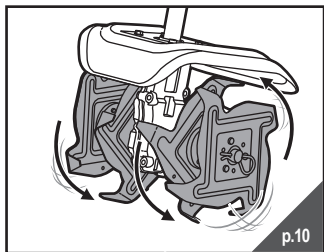


Attach the cultivator attachment and the "J" handle.

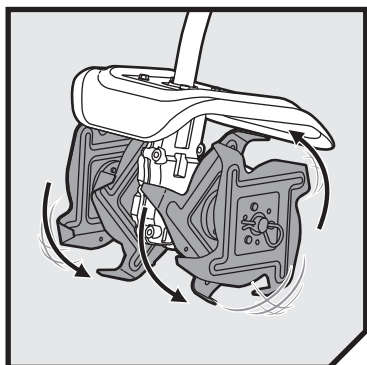


Install the bolt, flat washer, and the nut. Tighten the nut securely.

OVERVIEW



OPERATION

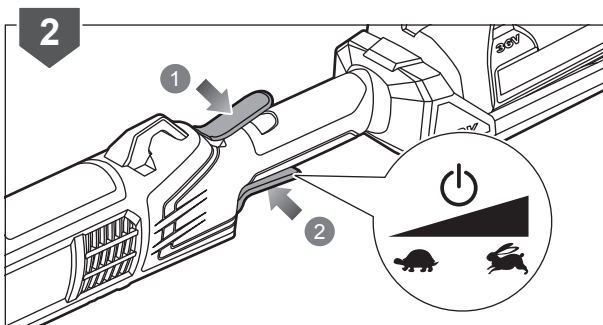
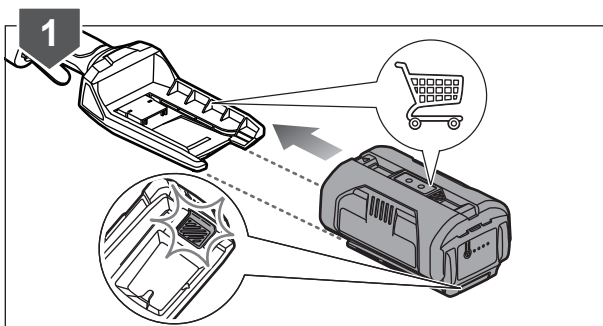
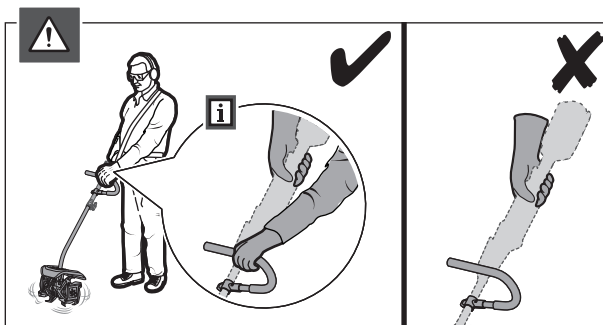
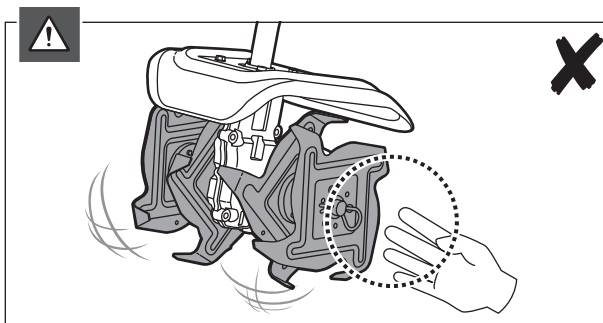


FOUR-TINE OPERATION

WARNING: Keep hands and feet away from the rotating tines at all times.

CAUTION: The product must be adequately controlled by using two-handed operation at all times.

1. Attach the powerhead.
2. Hold down the throttle lock and then squeeze the throttle trigger to start using the product.

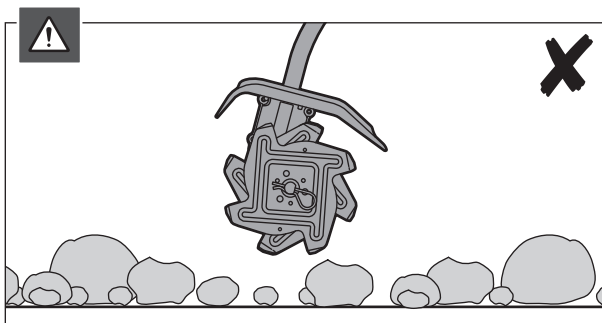
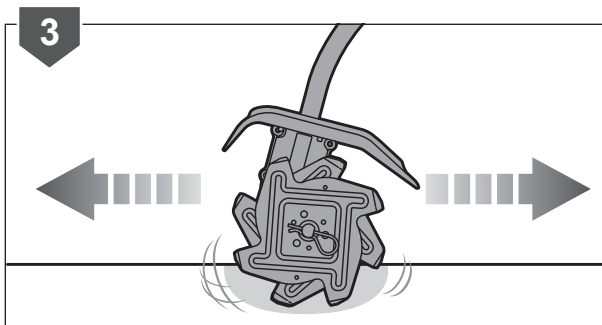


OPERATION

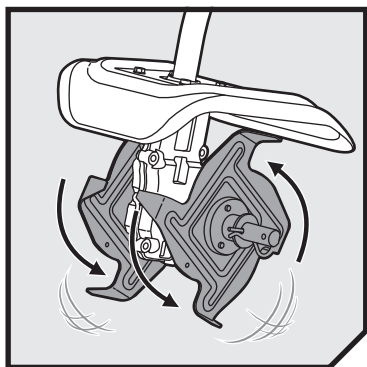
3. Pull and/or push the cultivator while it is digging in the soil's surface.

NOTE: For cultivating ease and safety, use a forward and backward motion when using the product.

WARNING: Never operate the product on rocky surfaces.



OPERATION

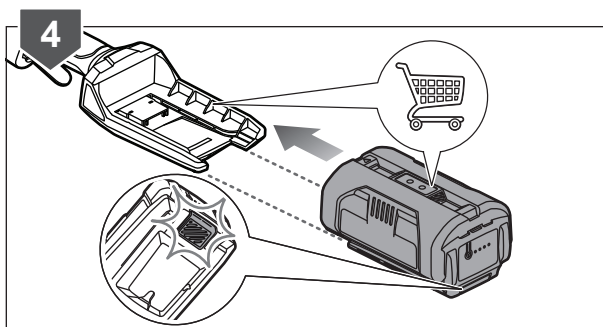
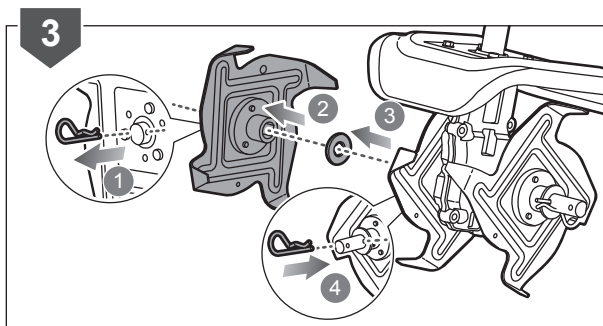
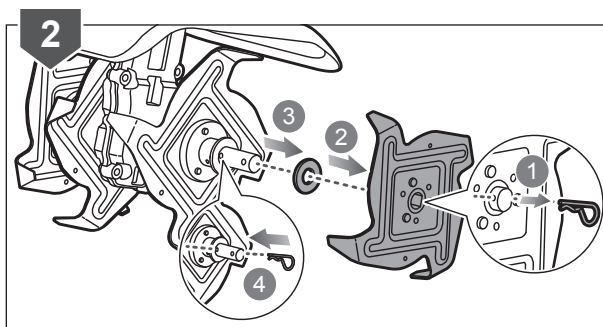
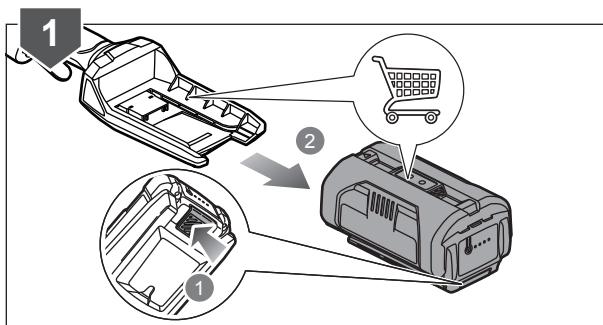


TWO-TINE OPERATION

WARNING: Keep hands and feet away from the rotating tines at all times.

CAUTION: The product must be adequately controlled by using two-handed operation at all times.

1. Remove the powerhead.
2. Remove the hitch pin, tine A and felt washer.
Reinstall the hitch pin.
3. Remove the hitch pin, tine D and felt washer.
Reinstall the hitch pin.

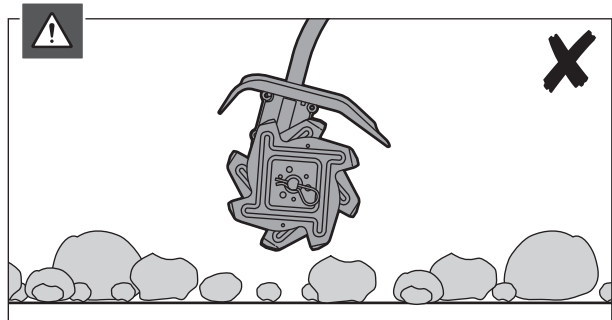
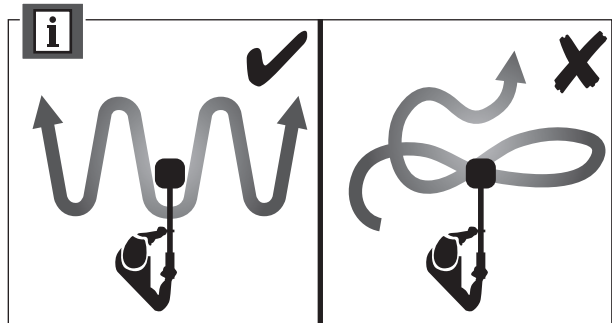
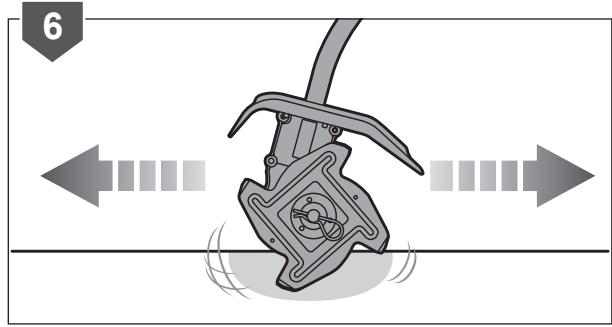
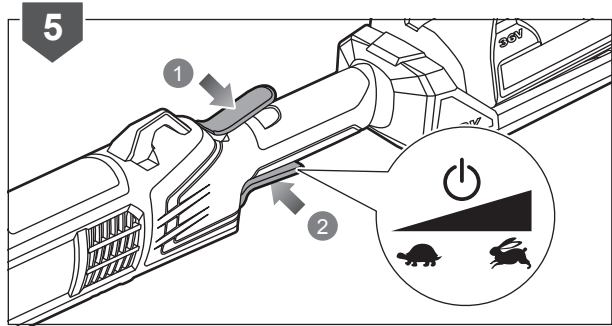


OPERATION

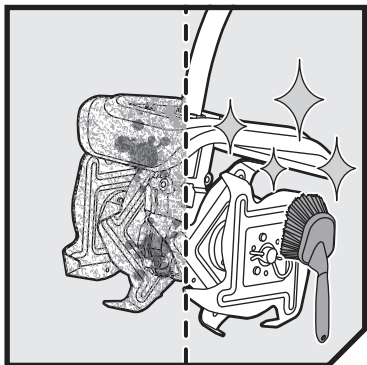
4. Attach the powerhead.
5. Hold down the throttle lock and then squeeze the throttle trigger to start using the product.
6. Pull and/or push the cultivator while it is digging in the soil's surface.

NOTE: For cultivating ease and safety, use a forward and backward motion when using the product.

WARNING: Never operate the product on rocky surfaces.



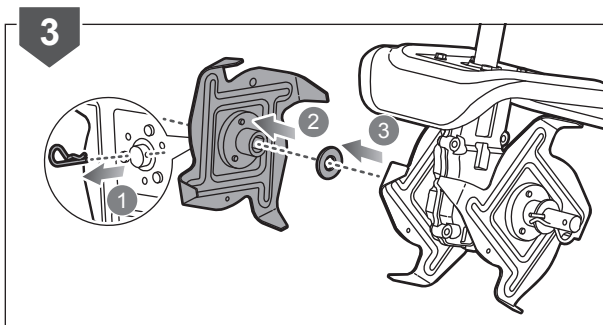
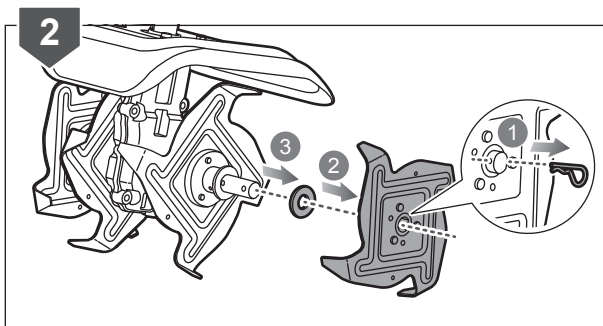
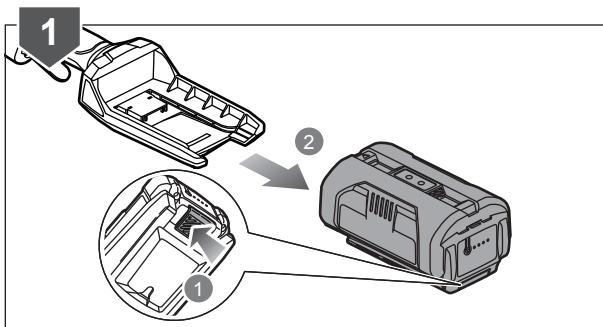
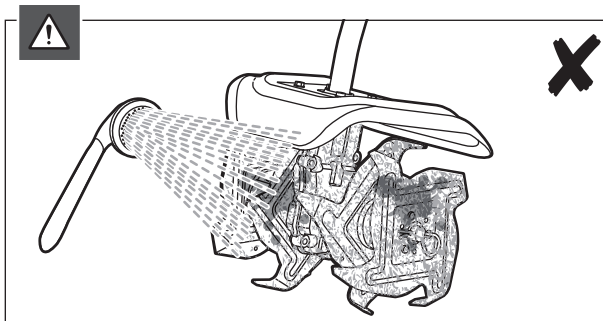
MAINTENANCE



CLEANING THE TINES

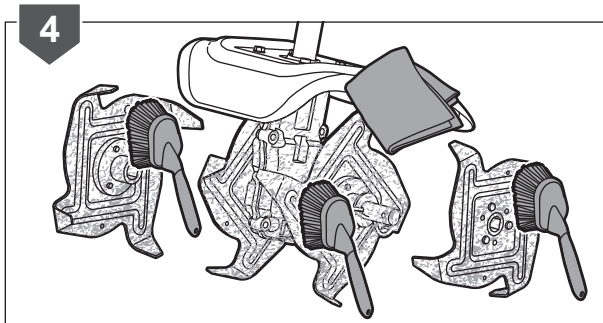
WARNING: Do not use water to clean the tines.

1. Turn off the product and remove the powerhead.
2. Remove the hitch pin, tine A and felt washer.
3. Remove the hitch pin, tine D and felt washer.

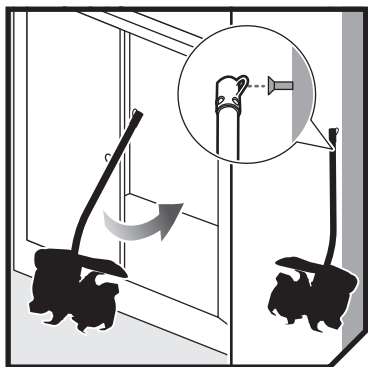


MAINTENANCE

4. Clean the product with a soft, dry cloth, and clean the debris from the tines with a stiff brush.



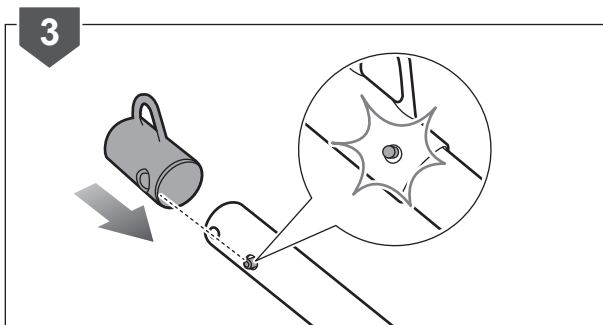
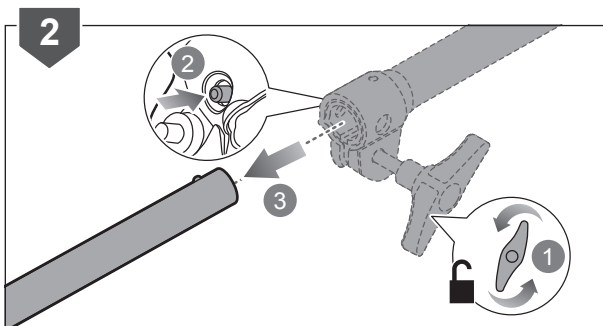
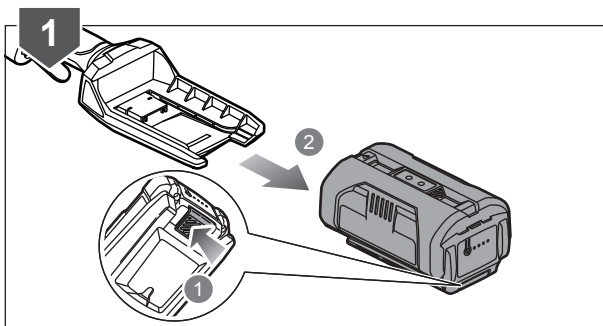
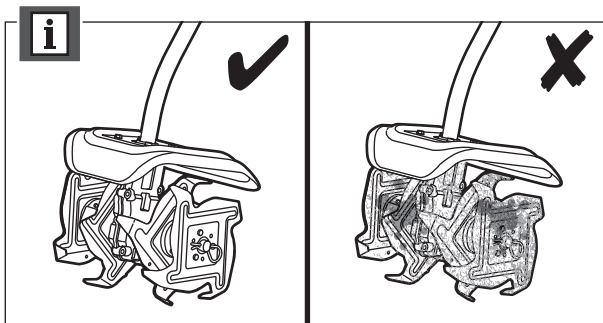
STORAGE



STORING THE CULTIVATOR

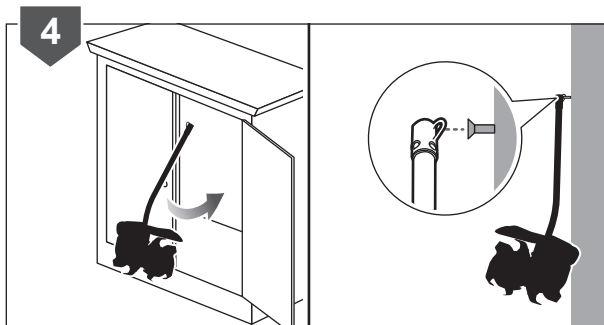
NOTE: Clean all foreign materials from the product.

1. Turn off the product and remove the powerhead.
2. Loosen knob and remove the lower shaft.
3. Install the hanger cap.



STORAGE

4. Store the product in a cool, dry, and well-ventilated place that is inaccessible to children and well away from sources of ignition.



PRODUCT SPECIFICATIONS

Cultivator attachment	
Model	ACT05
Maximum working width	25.7 cm
Maximum working depth	20.3 cm
Weight	6.6 kg

For assembling with petrol-driven powerhead (below values measured with RPH254A, RLT254CDSO, RLT254SDSO, RBC254SESO, RBC254SBSO powerhead)

Powerhead weight	5.2 kg
Full tank volume	580 cm ³
Engine displacement	25.4 cc
Max engine performance	0.75 kW
Engine speed (max)	12000 min ⁻¹
Engine speed (idle)	2600-3400 min ⁻¹
Maximum no-load speed	0.5 m/s

Noise emission values determined according to EN 709:1997+A4:2009

A-weighted sound pressure level	97.6 dB(A)
A-weighted sound power level	101.7 dB(A)
Uncertainty	2.5 dB

Vibration values determined according to EN 709+1997+A4:2009

Front handle	5.2 m/s ²
Rear handle	8.0 m/s ²
Uncertainty	1.5 m/s ²

For assembling with electric-driven power head (below values measured with RPH3600, RLT36X33S, RLT33B33S power head)

Rated power	1100 W
Rated voltage	36 V
Maximum no-load speed	0.23 m/s

Noise emission values determined according to EN 709:1997+A4:2009

A-weighted sound pressure level at the operator position	85.7 dB(A)
A-weighted sound power level	95.2 dB(A)
Uncertainty	2.5 dB

Vibration values determined according to EN 709+1997+A4:2009

Front handle	1.5 m/s ²
Rear handle	1.7 m/s ²
Uncertainty	1.5 m/s ²

VIBRATION LEVEL

WARNING

The declared vibration value has been measured with a standard test method and may be used to compare one tool with another.

The declared vibration value may be used in a preliminary assessment of exposure.

The vibration emission during actual use of power tool can differ from the declared total value depending on the ways in which the tool is used.

Identify safety measures to protect yourself based on an estimation of exposure in the actual conditions of use, taking account of all parts of the operating cycle such as the times when the tool is switched off and when it is running idle in addition to the trigger time.









Imported by:

Techtronic Industries Australia Pty Ltd
31 Gilby Road, Mount Waverley, VIC 3149
Melbourne, Australia

Techtronic Industries N.Z. Limited
2 Landing Drive, Mangere
Auckland, 2022, New Zealand