

# REPAIR SHEET

BRAND

**RYOBI**

DESCRIPTION

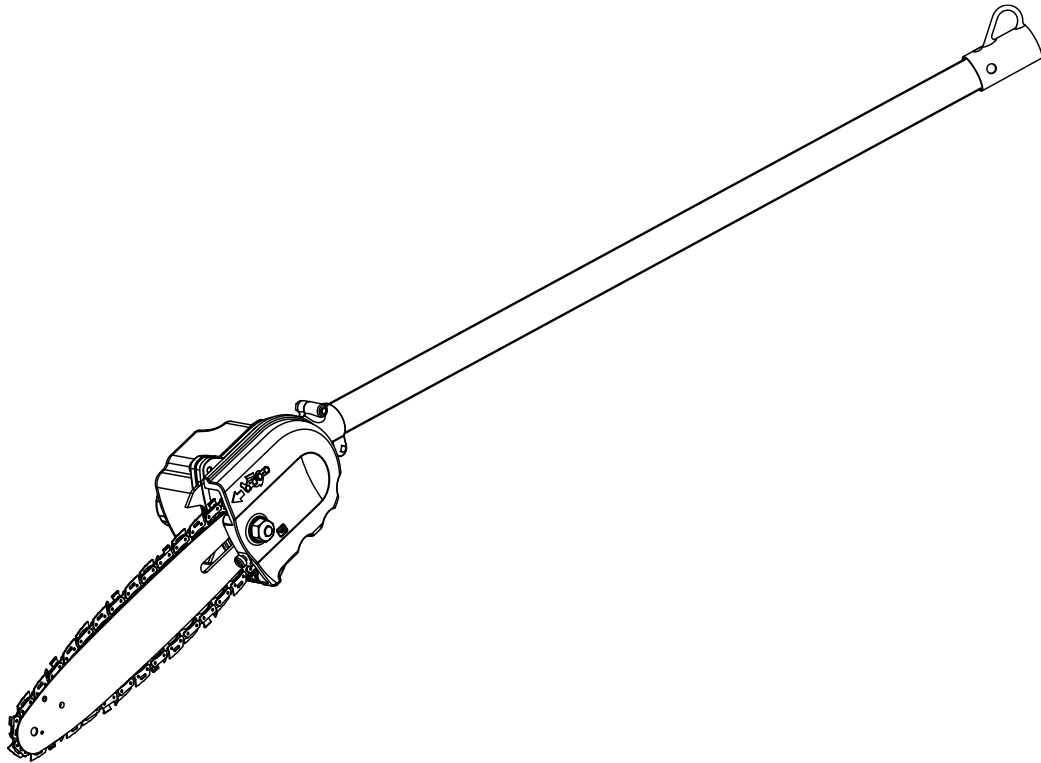
# EXPAND-IT Pruner Attachment

MODEL NO.

**RYPRN33/RYP RN33VNM**

MFG. NO.

**090112021/095112101/095112103**

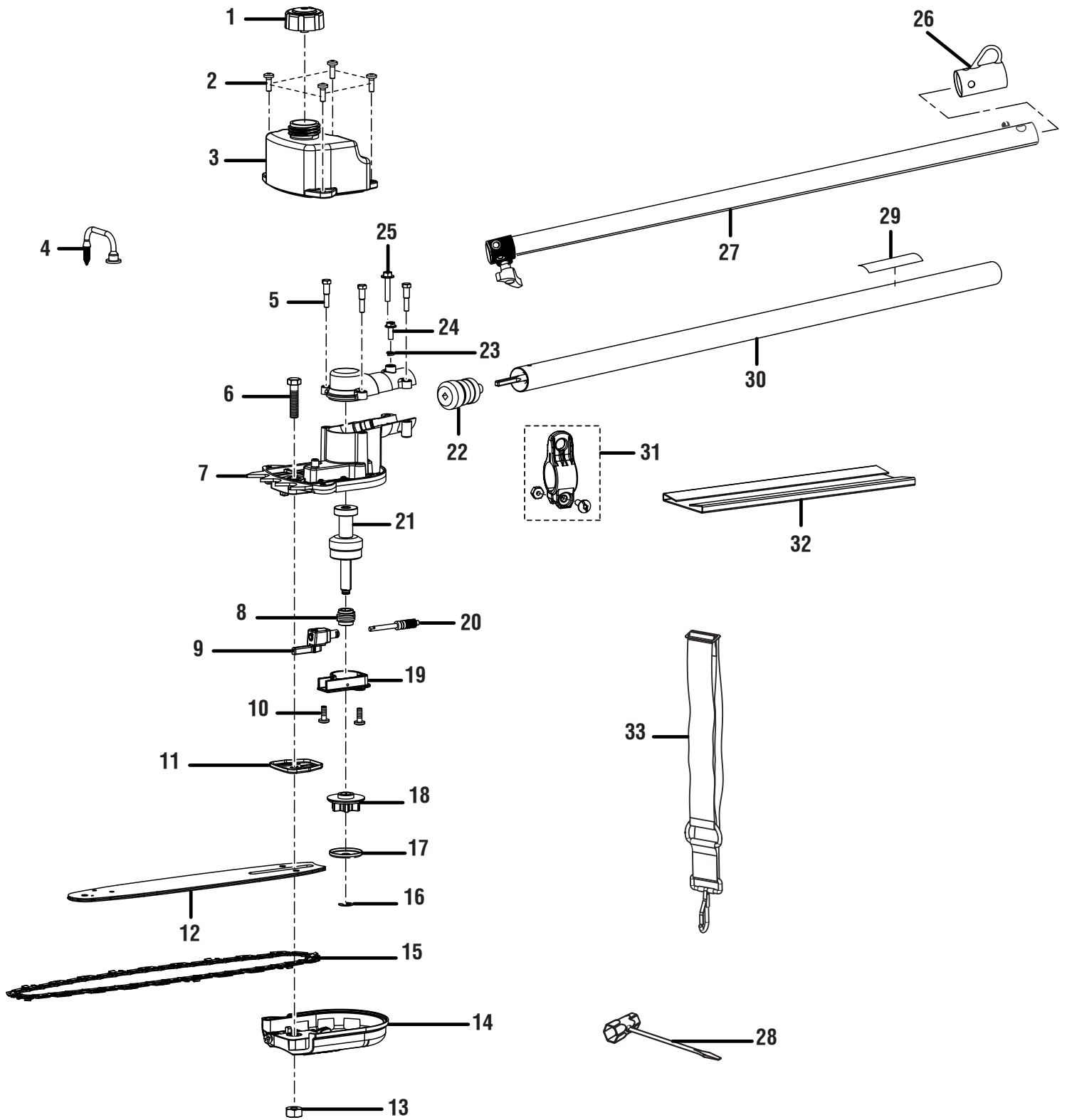


**ONE WORLD TECHNOLOGIES, INC.**

P.O. Box 1288, Anderson, SC 29622 ■ 1-800-525-2579 ■ [www.ryobitools.com](http://www.ryobitools.com)

**8-10-21 (Rev:03)**

*The model number and manufacturing location will be found on a label attached to the product. Always mention this information in all communications regarding this product and when ordering parts.*





# RYPRN33/RYP RN33VNM

## PARTS LIST

KEY NO.	PART NO.	DESCRIPTION	QTY.
1	308680008	Oil Cap Assembly	1
2	660934003	Screw (M5 x 18 mm)	4
3	580877001	Oil Tank Cover Assembly	1
4	570714001	Oil Pickup Tube	1
5	660913001	Screw (M5 x 25 mm)	3
6	660910002	Screw (M8 x 35 mm)	1
7	308532002	Gear Case Assembly	1
8	610617001	Worm Gear	1
9	308523001	Oil Pump Seal Assembly	1
10	660912001	Screw (M5 x 13 mm)	2
11	638282001	Bar Pad Plate	1
12	671834023	Guide Bar	1
13	678355001	Hex Nut (M8 x 1.25, Special)	1
14	120530013	Bar Clamp Assembly	1
15	693814001	Chain (10 in.)	1
16	678354001	E-Ring (Ø6 mm)	1
17	631060001	Cupped Washer	1
18	610618001	Sprocket	1
19	308520001	Oil Pump Housing w/Cam Pin Assembly	1

KEY NO.	PART NO.	DESCRIPTION	QTY.
20	308524001	Pinion Gear and Plunger Assembly	1
21	308519001	Output Shaft Assembly	1
22	308514001	Pinion and Bearing Assembly	1
23	678284001	Lock Washer (5 mm)	1
24	660911001	Screw (M5 x 15 mm)	1
25	660935001	Screw (M5 x 25 mm)	1
26	518019002	Hanger Cap	1
27	308010021	Intermediate Boom Assembly (Inc. Key No. 26)	1
28	631055001	Combination Wrench	1
29	940657030	Warning Label	1
30	316404001	Lower Drive Shaft Assembly (Inc. Key No. 29)	1
31	314811001	Strap Hanger	1
32	518405001	Scabbard	1
33	308487001	Shoulder Strap	1
	<b>Not Shown:</b>		
	991000570	Operator's Manual	