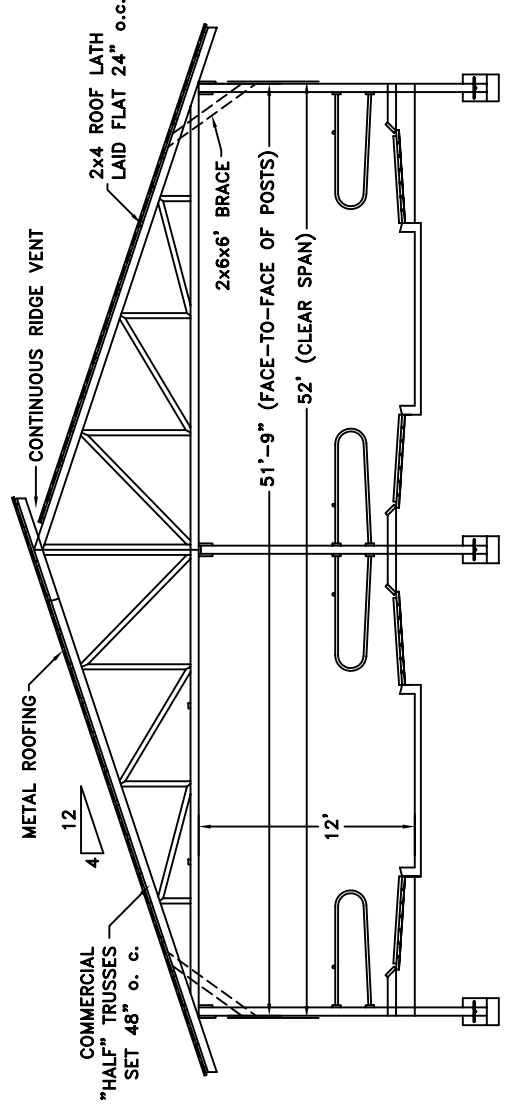
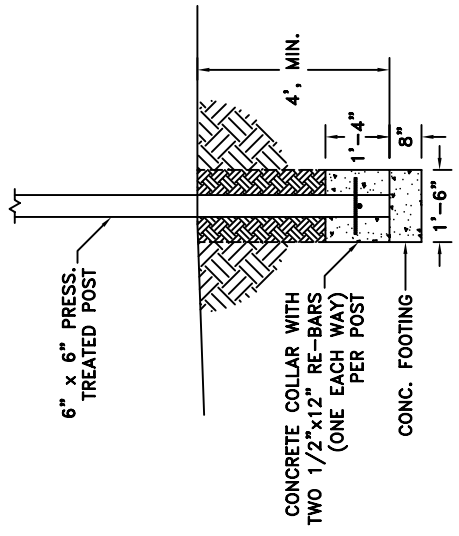


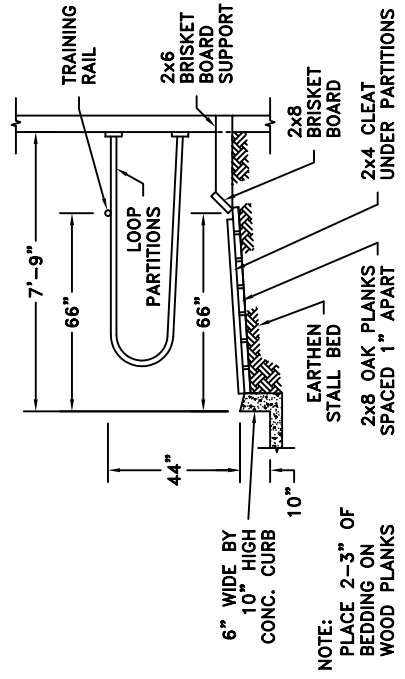
**PLAN**  
SCALE: 1"=20'



**CROSS SECTION**  
SCALE: 3/32"=1'-0"



**POST DETAIL**  
SCALE: 1/4"=1'-0"



**FREESTALL DETAIL**  
SCALE: 3/16"=1'-0"

COOPERATIVE EXTENSION WORK IN AGRICULTURE AND HOME ECONOMICS  
STATE OF TENNESSEE  
THE UNIVERSITY OF TENNESSEE  
INSTITUTIONS ENGINEERING & ENVIRONMENTAL SCIENCE DEPARTMENT AND  
UNITED STATES DEPARTMENT OF AGRICULTURE COOPERATING