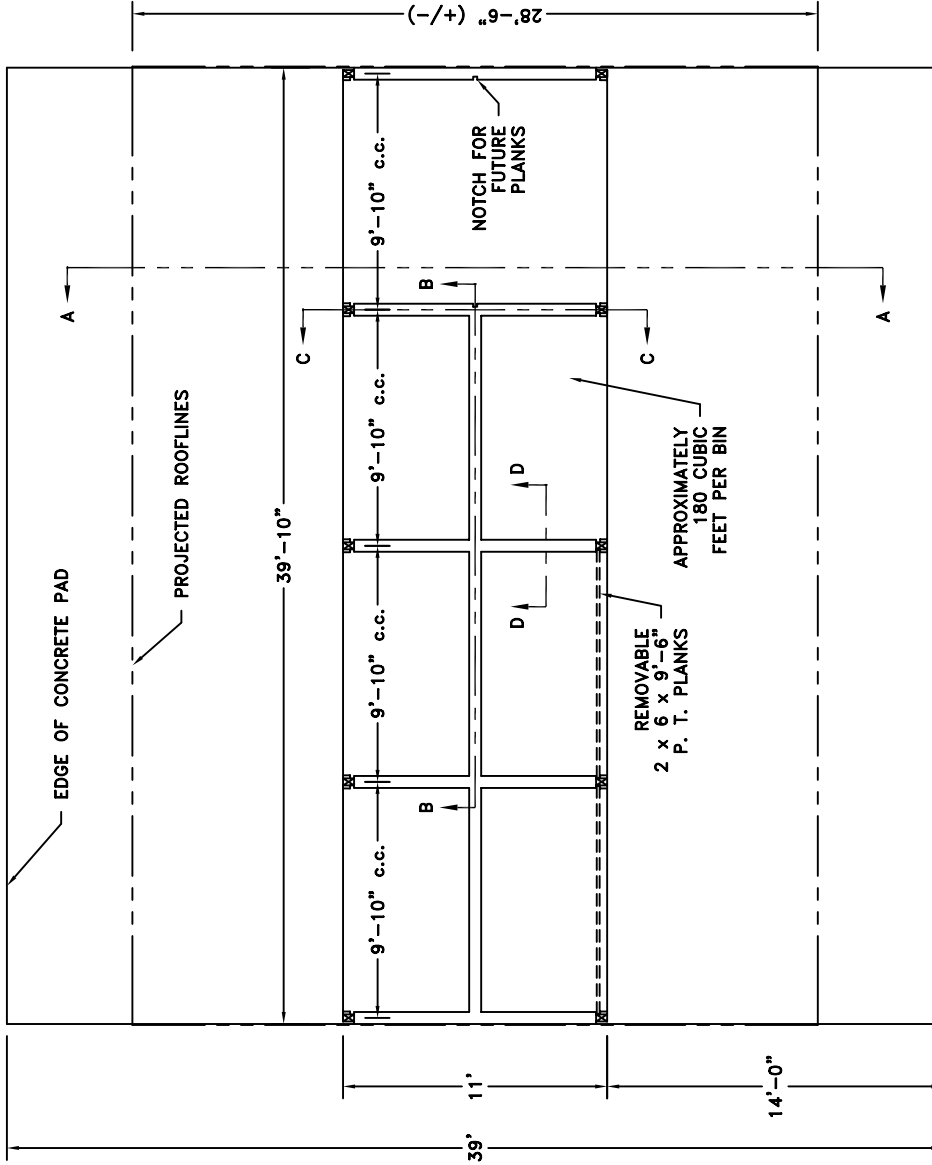
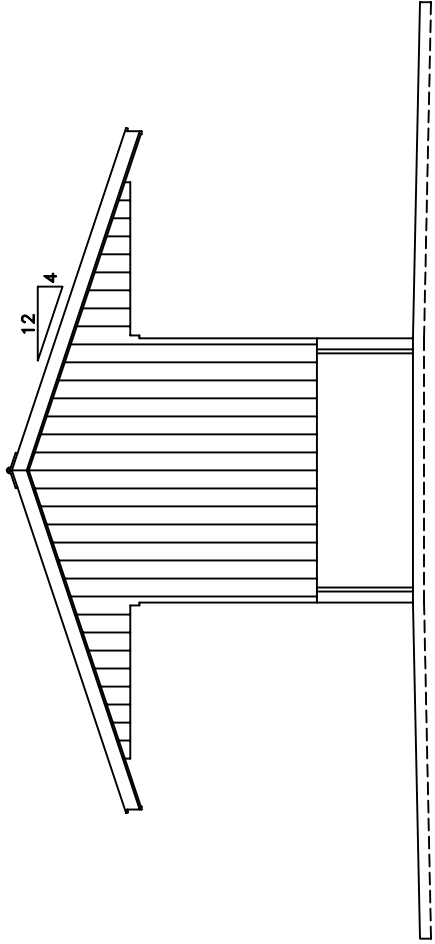


POST DETAIL
SCALE: 1"=1'-0"

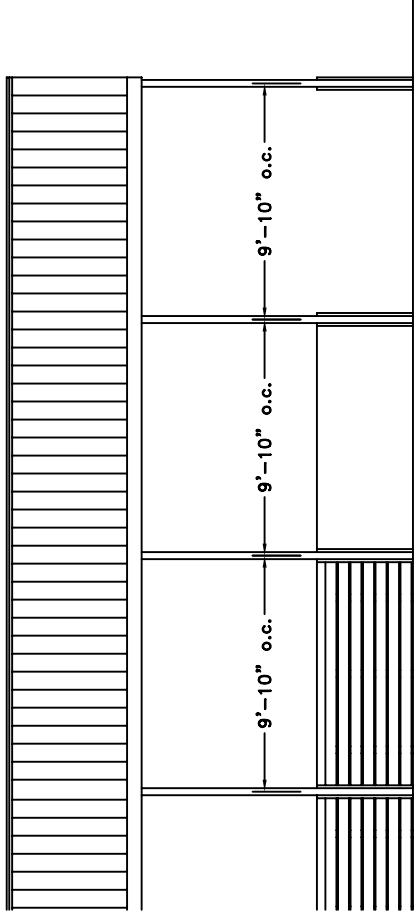
- NOTES:**
1. THIS FACILITY IS DESIGNED TO SERVE A FLOCK SIZE OF APPROXIMATELY 88,000 BIRDS. (FOUR HOUSES OF 22,000 EACH)
 2. DIMENSIONS ARE FOR DRESSED LUMBER.
 3. POSTS TO BE CCA PRESSURE TREATED TO 0.60 POUNDS PER CUBIC FOOT MINIMUM RETENTION.
 4. THE 2" x 4" x 4" SCABS AND THE REMOVABLE PLANKS USED FOR BIN FRONTS TO BE CCA PRESSURE TREATED TO 0.25 POUNDS PER CUBIC FOOT MINIMUM RETENTION.
 5. USE GALVANIZED 16d RING SHANK NAILS TO ATTACH THE 2" x 8" PLATES, THE 2" x 10" PLATES, AND THE 2" x 4" SCABS.
 6. ROOFING TO BE 29 GAUGE, 80 KSI, G-90 GALV. STEEL COLOR-COATED TO MATCH ROOFING USED ON THE ADJACENT POULTRY HOUSING.



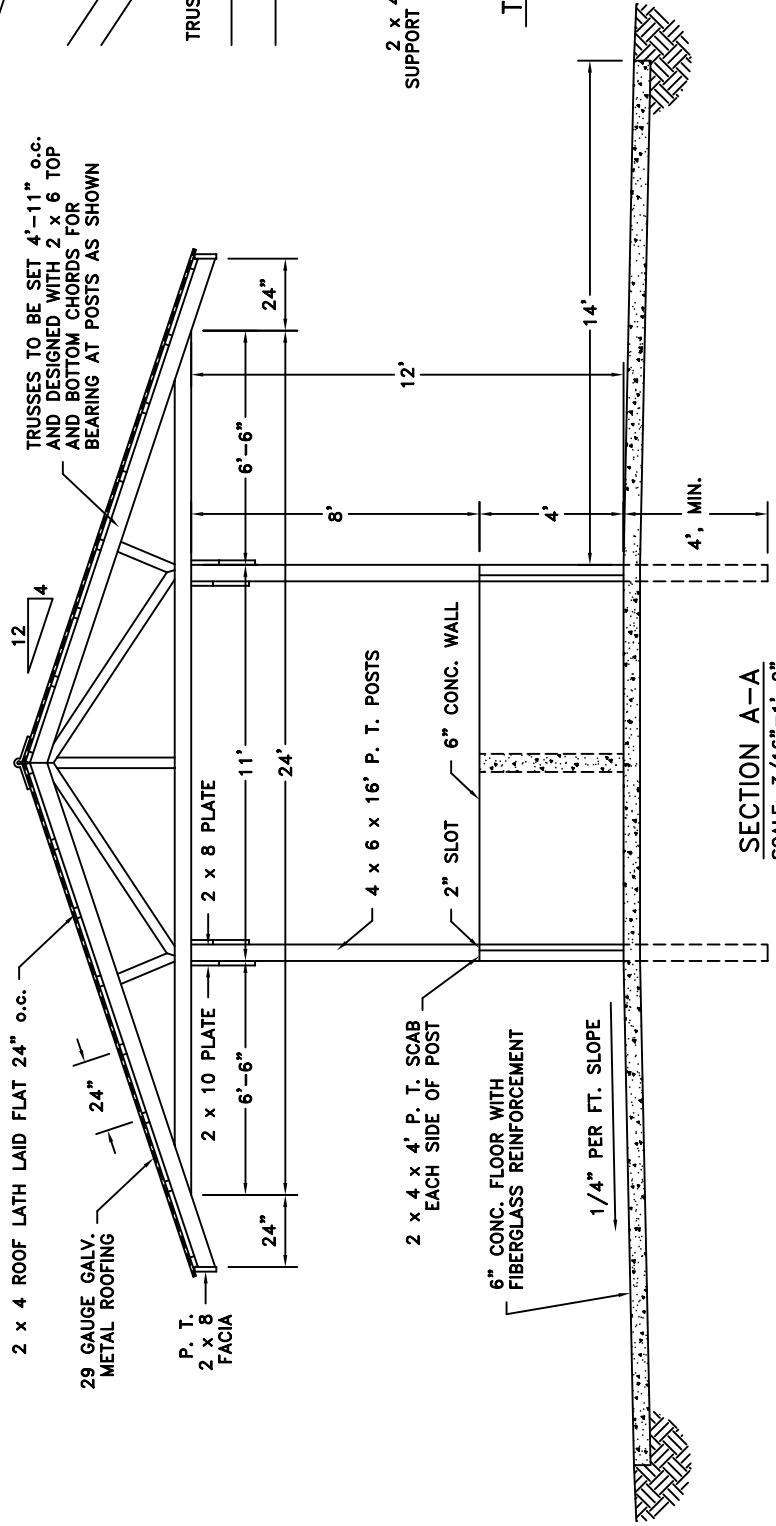
PLAN
SCALE: 1/8"=1'-0"



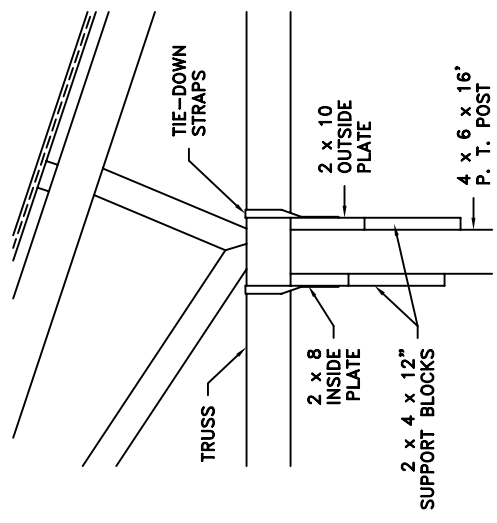
END VIEW
SCALE: 1/8"=1'-0"



PARTIAL SIDE VIEW
SCALE: 1/8"=1'-0"



SECTION A-A
SCALE: 3/16"=1'-0"



TRUSS ANCHORAGE DETAIL
SCALE: 1/2"=1'-0"

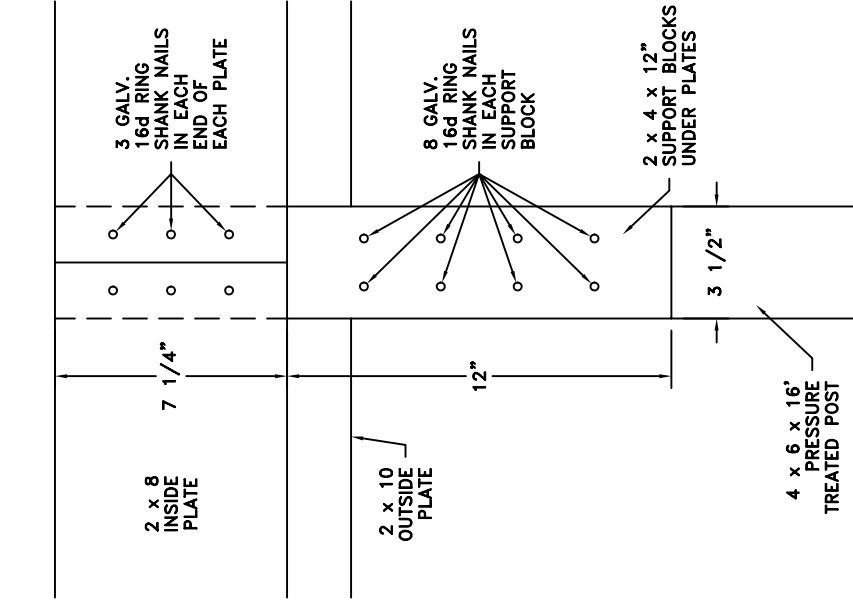
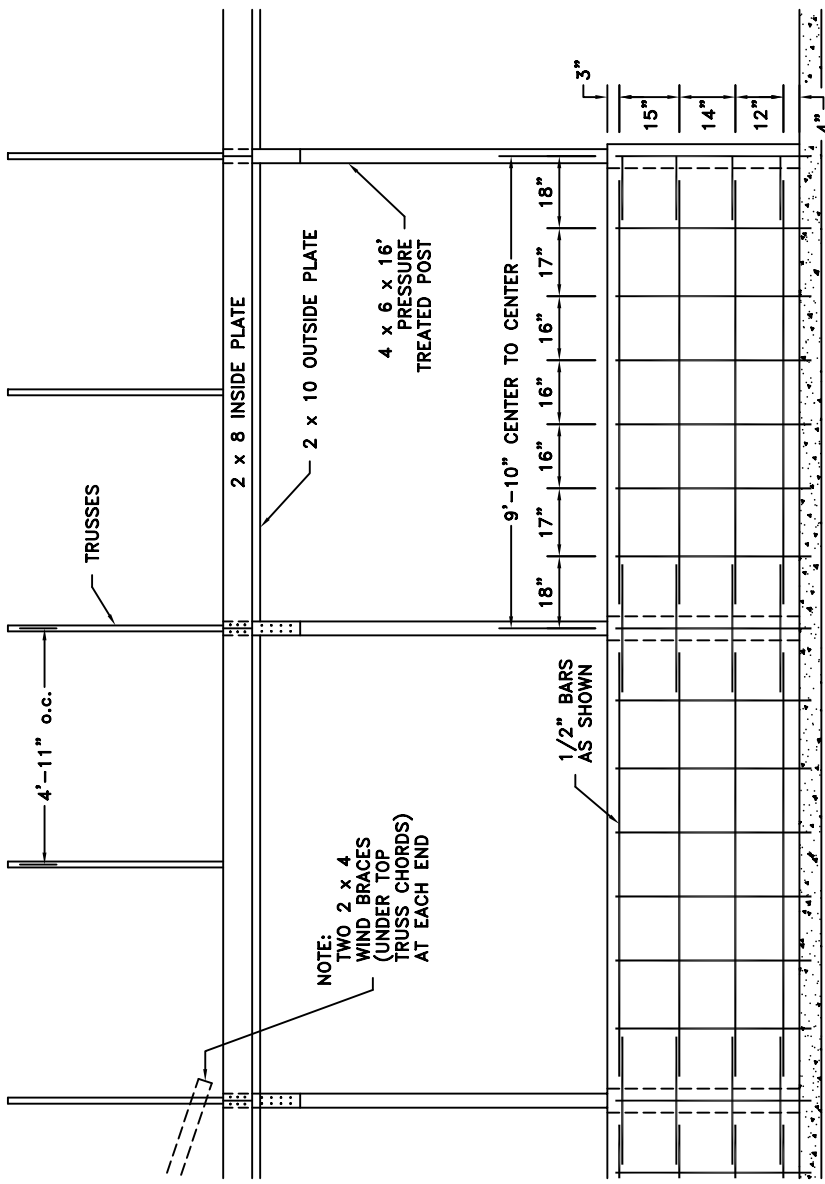
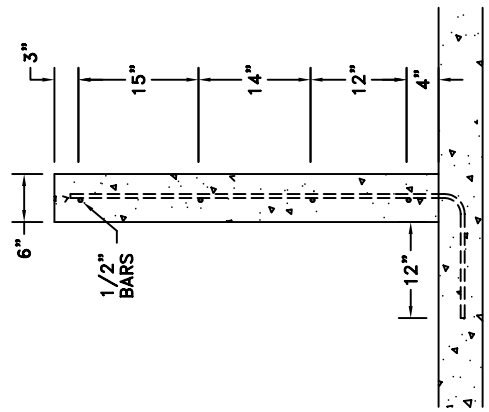


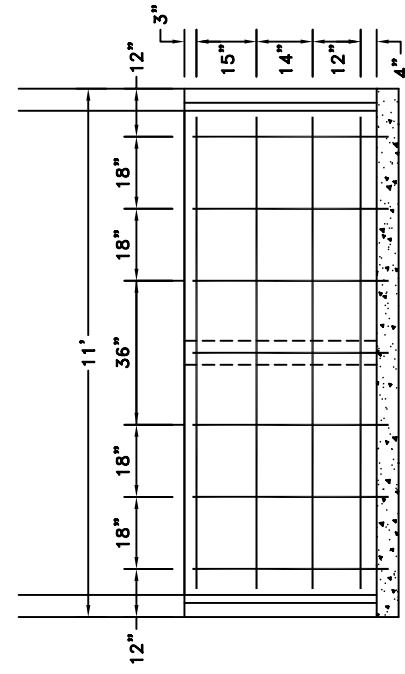
PLATE NAILING DETAIL
SCALE: 2"=1'-0"



SECTION B-B
SCALE: 1/4"=1'-0"



SECTION D-D
SCALE: 1/2"=1'-0"



SECTION C-C
SCALE: 1/4"=1'-0"