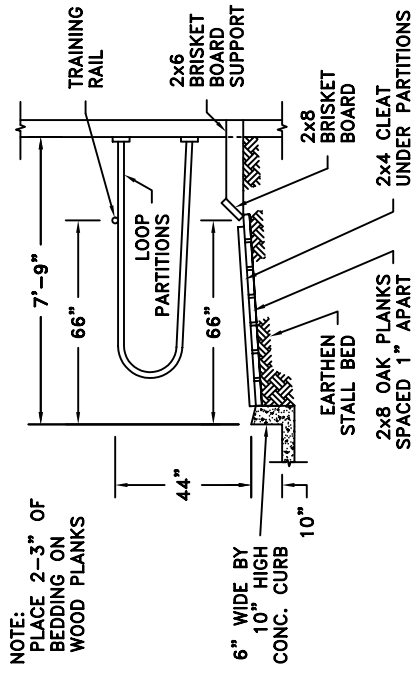
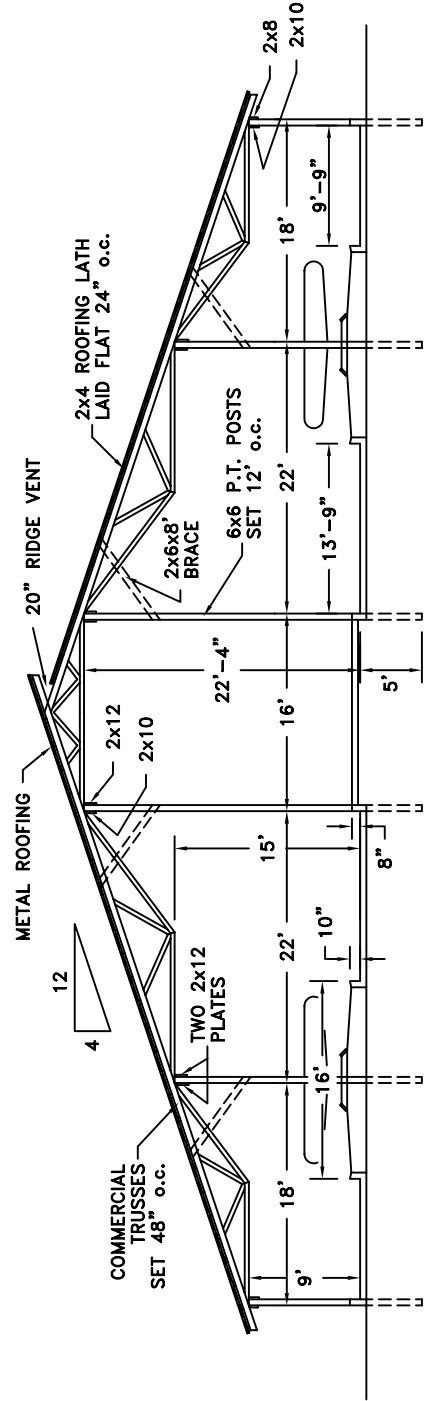


PLAN
SCALE: 1"=40'



FREESTALL DETAIL
SCALE: 3/16"=1'-0"



CROSS SECTION
SCALE: 1/16"=1'-0"