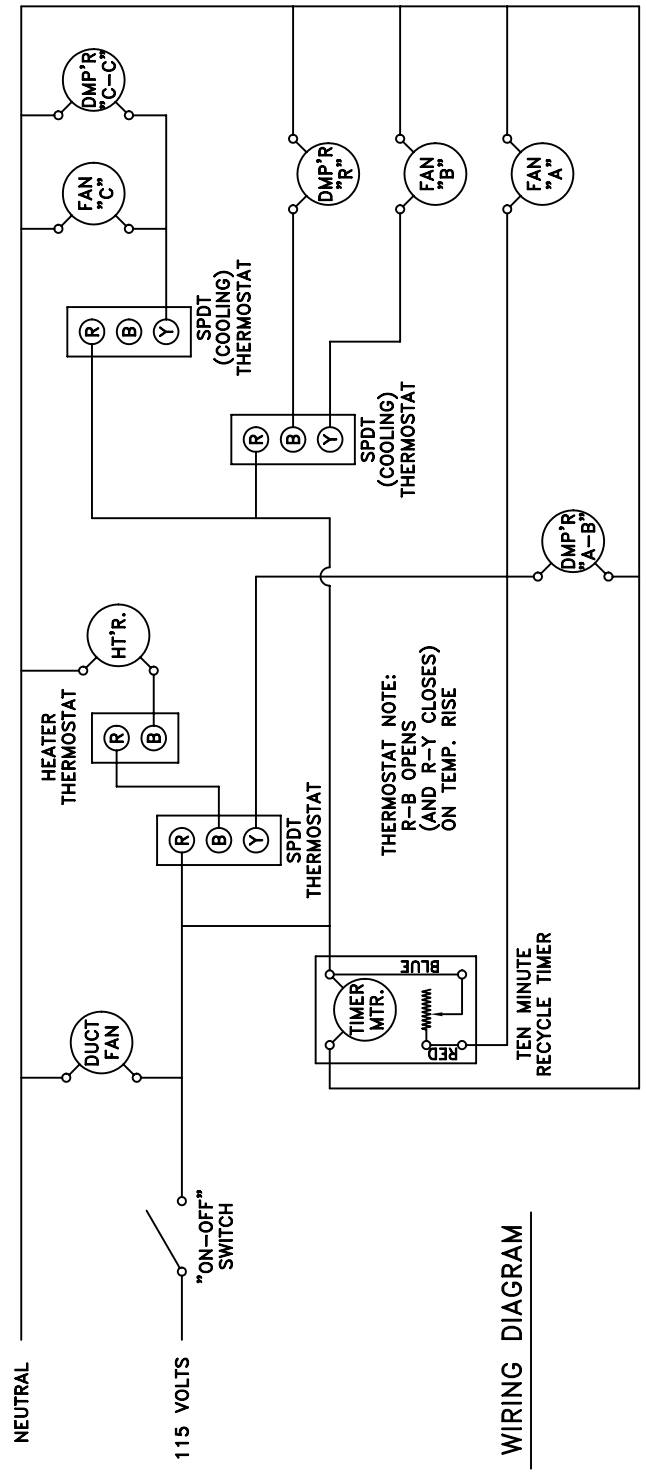


SCHEMATIC VENTILATION PLAN

ITEM	SPECIFICATIONS	NOTES
TUBE FAN	ACME # RC24F (24" DIA.)	OPERATES CONTINUOUSLY
AIR TUBE	ACME # XHP (24" DIA.)	61" TO 68" LONG
FAN "A"	DAYTON #7F455 (18" DIA.; 1/4 HP)	2500 CFM @ 1/8" S.P.
FAN "B"	DAYTON #7F455 (18" DIA.; 1/4 HP)	2500 CFM @ 1/8" S.P.
FAN "C"	DAYTON #3C615 (36" DIA.)	9900 CFM @ 1/8" S.P.
DAMPER "R"	DAYTON #3C234 (30" x30")	CLOSE ON TEMPERATURE RISE
DAMPER "A-B"	DAYTON #3C234 (30" x30")	OPENS WHEN FAN "A" AND/OR FAN "B" ON
DAMPER "C-C"	DAYTON #3C235 (42" x42")	OPENS WHEN FAN "C" ON
GAS-FIRED UNIT HEATER	L. B. WHITE #346E	60,000 BTU PER HR INPUT WITH ATTACHED THERMOSTAT
THERMOSTAT	DAYTON #2E206 (3 NEEDED)	SINGLE POLE; DOUBLE THROW
TEN MINUTE RECYCLE TIMER	DAYTON #2E209	MINIMUM "ON" TIME IS THREE MINUTES OF EACH TEN
MIXING BOX	FABRICATED OF GALVANIZED SHEET METAL TO FIT FAN AND DAMPERS	

- NOTES:
1. ADEQUATE AND PROPER VENTILATION IS ESSENTIAL FOR THE SUCCESSFUL OPERATION OF ENCLOSED SWINE BUILDINGS.
  2. SELECT A COMPLETE VENTILATION SYSTEM BEFORE STARTING CONSTRUCTION SO THE NECESSARY STRUCTURAL PROVISIONS FOR INSTALLING THE SYSTEM CAN BE MADE. THIS PLAN SHOWS ONE SYSTEM; OTHER COMMERCIAL SYSTEMS ARE AVAILABLE. KEEP ALL OPENINGS-EXCEPT INLET DAMPERS-CLOSED FOR PROPER VENTILATION.
  3. KEEP ALL OPENINGS-EXCEPT INLET DAMPERS-CLOSED FOR PROPER VENTILATION.

4. MENTION OF A TRADE NAME IS FOR COMPARISON PURPOSES ONLY. THE AGRICULTURAL EXTENSION SERVICE DOES NOT ENDORSE THE MENTIONED PRODUCTS OR DISAPPROVE OF SIMILAR PRODUCTS NOT MENTIONED.
5. A SOW "DRIPPER" SYSTEM MAY BE NEEDED IN ENCLOSED FARROWING HOUSES DURING HOT WEATHER.
6. FANS "A", "B" AND "C" ARE EXHAUST TYPE WITH GRAVITY SHUTTERS.



WIRING DIAGRAM