

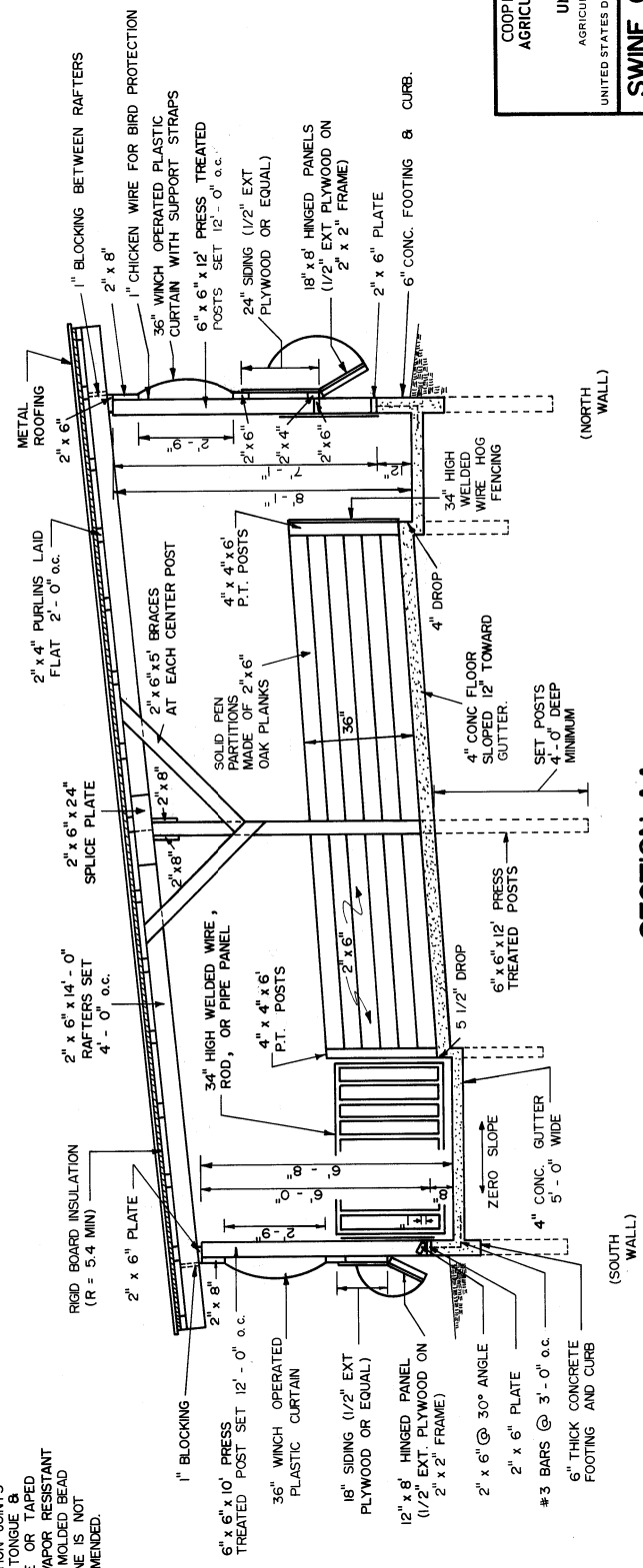
**PLAN**

NOTE: APPROXIMATE CAPACITY OF 8 PENS IS 240 HEAD. (30 HEAD PER PEN)

NOTE: INSULATION JOINTS TO BE TONGUE & GROOVE OR TAPED WITH VAPOR RESISTANT TAPE MOLDED BEAD STYRENE IS NOT RECOMMENDED.

**NOTES:**

1. SECURE PROPER REGULATORY APPROVAL BEFORE STARTING CONSTRUCTION.
2. OPEN GUTTER FLUSHING CAN ONLY BE USED IN LOCATIONS WHERE SOIL CONDITIONS PERMIT LAAGOON CONSTRUCTION.
3. BECAUSE THE REQUIRED VOLUME OF FLUSH WATER IS SO LARGE, A WASTE-WATER RECYCLE SYSTEM SHOULD BE USED. THE FLUSH WATER IS DISCHARGED INTO THE FIRST STAGE LAAGOON WHERE MUCH OF THE MANURE SOLIDS CAN SETTLE OUT OF THE LIQUID. LIQUID OVERFLOW FROM THE FIRST STAGE LAAGOON FLOWS INTO A SECOND STAGE HOLDING POND. THE LIQUID IS THEN PUMPED BACK TO THE FLUSH BUCKET.
4. THE 200 GALLON BUCKET SHOULD FLUSH ONCE EVERY 30 MINUTES WHICH WILL REQUIRE A PUMP WITH 7 GALLONS PER MINUTE CAPACITY RUNNING CONTINUOUSLY.
5. A CENTRAL HEATING / VENTILATING SYSTEM SIMILAR TO PLAN NO. T-425 IS RECOMMENDED FOR THIS BUILDING.

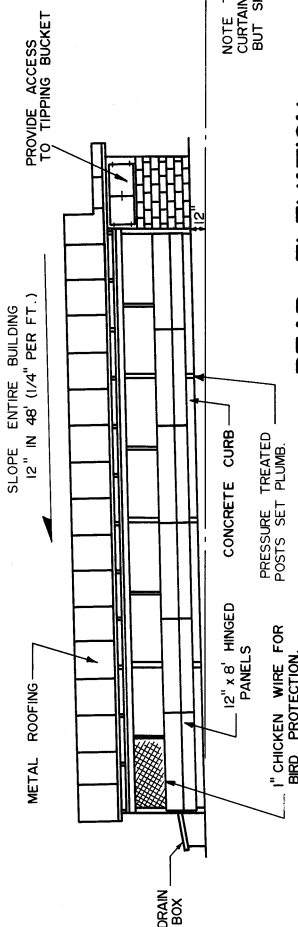


**SECTION AA**

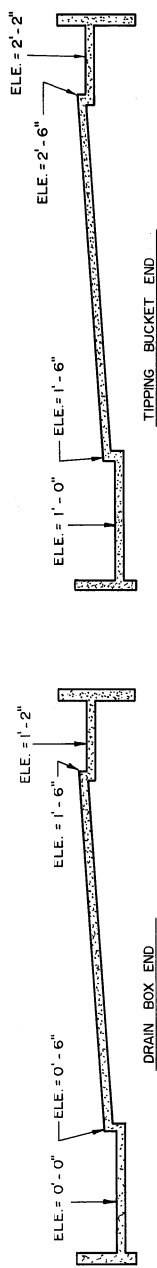
COOPERATIVE EXTENSION WORK IN AGRICULTURE AND HOME ECONOMICS  
STATE OF TENNESSEE  
AGRICULTURAL ENGINEERING DEPARTMENT  
UNITED STATES DEPARTMENT OF AGRICULTURE COOPERATING

**SWINE GROWER UNIT WITH OPEN GUTTER FLUSH**

TENN 11-AUGUST-88 SHEET 1 OF 2  
SFG / DKC PLAN NO. T-425

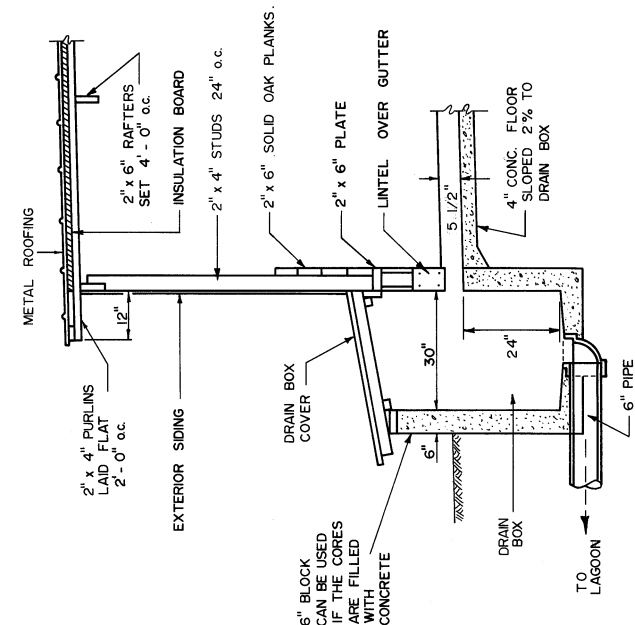


**REAR ELEVATION**

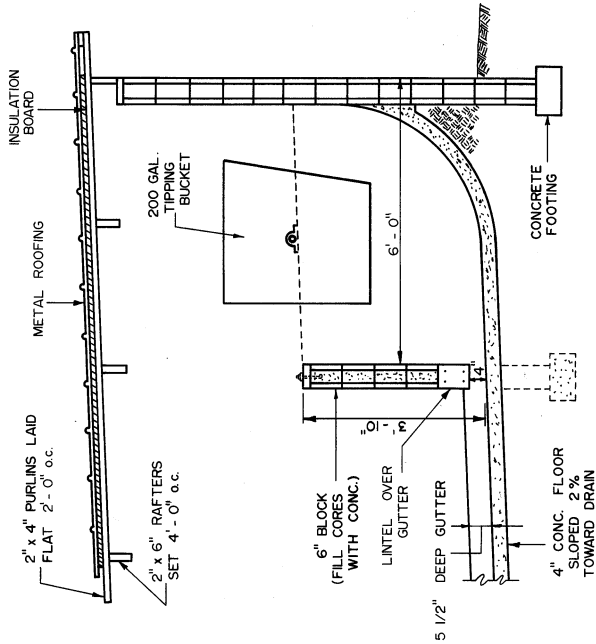


**ELEVATIONS OF FINISHED CONCRETE FLOOR**

CONCRETE FLOORS SHOULD BE FINISHED SMOOTH BUT NOT SLICK. AN ALUMINUM FLOAT FINISH IS SUGGESTED.



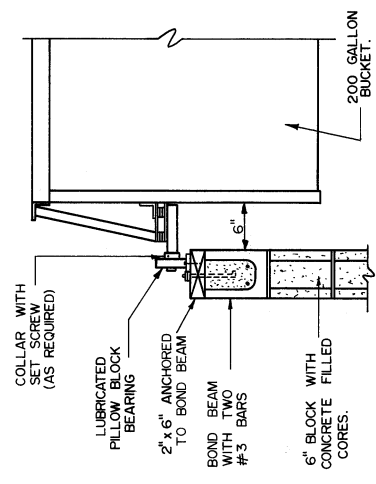
**SECTION B-B**



**SECTION C-C**

NOTE: FLOOR AND ROOF SHOULD SLOPE WITH THE GRADE. WALLS AND PEN DIVIDERS SHOULD BE PLUMB. THE ENDS OF ADJOINING ROOFING SHEETS WILL HAVE TO BE STAGGERED APPROXIMATELY 1/4" TO MAKE UP FOR BUILDING WITH THE SLOPE.

A 200 GALLON FREE SWINGING DUMP BUCKET IS RECOMMENDED FOR THIS TYPE OF FLOOR. SPRINGS OR SHOCK HAVE NO STOPS. THE BUCKET IS FREE TO ROTATE A FULL 360°. THE FREQUENCY OF FLUSH WILL DEPEND ON THE WATER FLOW RATE INTO THE BUCKET.



**BUCKET MOUNTING DETAIL**

COOPERATIVE EXTENSION WORK IN AGRICULTURE AND HOME ECONOMICS  
STATE OF TENNESSEE  
UNIVERSITY OF TENNESSEE  
AGRICULTURAL ENGINEERING DEPARTMENT  
UNITED STATES DEPARTMENT OF AGRICULTURE COOPERATING

GFG / DKC

12-AUG-88

SHEET 2 OF 2

PLAN NO. T-4131

**SWINE GROWER UNIT WITH OPEN GUTTER FLUSH.**