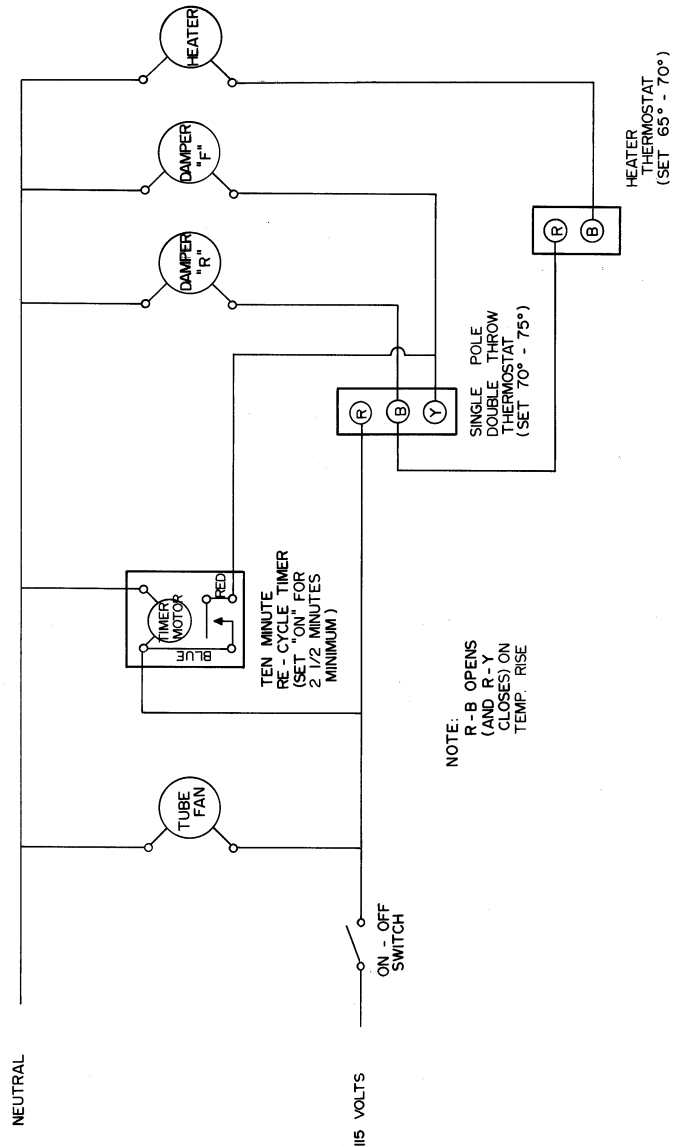
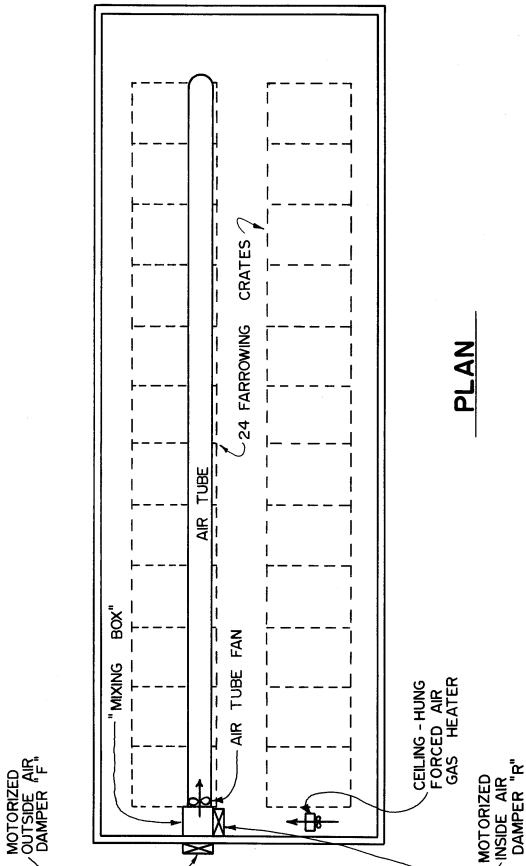


VENTILATION EQUIPMENT AND CONTROLS

ITEM	SPECIFICATIONS	NOTES
TUBE FAN	ACME # RC24F (24" DIA.)	OPERATE CONTINUOUSLY
AIR TUBE	ACME # XHP (24" DIA.)	62' LONG
DAMPER "R"	DAYTON # 3C234 (30" x 30')	CLOSE ON TEMP. RISE
DAMPER "F"	DAYTON # 3C234 (30" x 30')	OPENS ON TEMP. RISE
GAS - FIRED UNIT HEATER	L.B. WHITE 377E (115,000 BTU PER HR INPUT)	HEATER INCLUDES ATTACHED THERMOSTAT
THERMOSTAT	DAYTON # 2E206	SINGLE POLE, DOUBLE THROW
TEN MINUTE RECYCLE TIMER	DAYTON # 2E209	MINIMUM "ON" TIME IS 2 1/2 MINUTES OF EACH TEN.
MIXING BOX (32' x 32" x 32')	FABRICATED OF GALVANIZED SHEET METAL TO FIT FANS & DAMPERS	



NOTES

1. THIS VENTILATION PLAN IS FOR CURTAIN WALL BUILDINGS ONLY.
2. SET THERMOSTATS AND TIMER AS INDICATED.
3. ADEQUATE AND PROPER VENTILATION IS ESSENTIAL FOR THE SUCCESSFUL OPERATION OF ENCLOSED SWINE FARROWING HOUSES.
4. SELECT A COMPLETE VENTILATION SYSTEM BEFORE STARTING CONSTRUCTION SO THE NECESSARY STRUCTURAL PROVISIONS FOR INSTALLING THE SYSTEM CAN BE MADE. THIS PLAN SHOWS ONE SYSTEM; OTHER COMMERCIAL SYSTEMS ARE AVAILABLE.
5. MENTION OF A TRADE NAME IS FOR COMPARISON PURPOSES ONLY. THE AGRICULTURAL EXTENSION SERVICE DOES NOT ENDORSE THE MENTIONED PRODUCTS OR DISAPPROVE OF SIMILAR PRODUCTS NOT MENTIONED.