

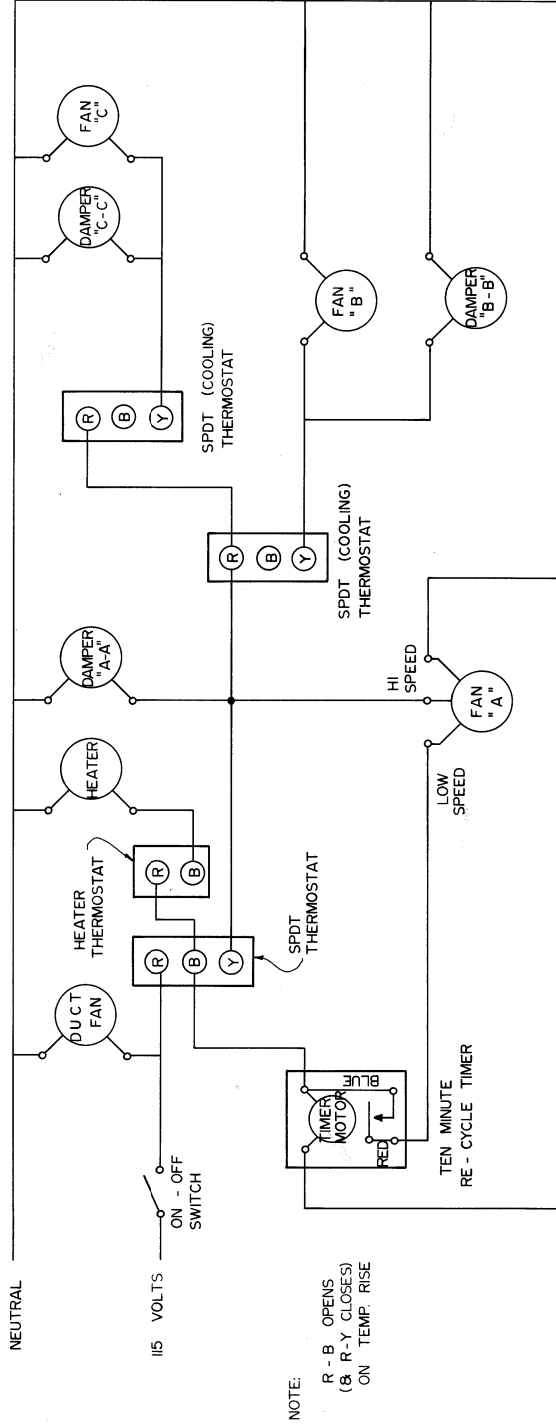
SCHEMATIC VENTILATION PLAN

VENTILATION EQUIPMENT AND CONTROLS

ITEM	SPECIFICATIONS	NOTES
TUBE FAN	ACME # RC24F (24" DIA)	OPERATES CONTINUOUSLY
AIR TUBE	ACME # XDX (24" DIA)	37' TO 41' LONG
FAN "A"	DAYTON # 7F459 (18" DIA 1/4 HP)	TWO SPEED (2500/1670 CFM @ 1/8" SP)
FAN "B"	DAYTON # 7F455 (18" DIA 1/4 HP)	2500 CFM @ 1/8" SP
FAN "C"	DAYTON # 7F480 (24" DIA 1/3 HP)	3430 CFM @ 1/8" SP
DAMPER "A-A"	DAYTON # 3C315 (24" x 24")	BLOCK OPEN 50 PERCENT
DAMPER "B-B"	DAYTON # 3C315 (24" x 24")	OPENS WHEN FAN "B" ON
DAMPER "C-C"	DAYTON # 3C234 (30" x 30")	OPENS WHEN FAN "C" ON
GAS - FIRED UNIT HEATER	L. B. WHITE # 346E	60,000 BTU PER HR. INPUT WITH ATTACHED THERMOSTAT
THERMOSTAT	DAYTON # 2E206 (3 REQ'D)	SINGLE POLE; DOUBLE THROW
TEN MINUTE RECYCLE TIMER	DAYTON # 2E209	MINIMUM "ON" TIME IS 4 MINUTES OF EACH 10

NOTES:

1. ADEQUATE AND PROPER VENTILATION IS ESSENTIAL FOR THE SUCCESSFUL OPERATION OF ENCLOSED NURSERY BUILDINGS.
2. SELECT A COMPLETE VENTILATION SYSTEM BEFORE STARTING CONSTRUCTION SO THE NECESSARY STRUCTURAL PROVISIONS FOR INSTALLING THE SYSTEM CAN BE MADE. THIS PLAN SHOWS ONE SYSTEM; OTHER COMMERCIAL SYSTEMS ARE AVAILABLE.
3. KEEP ALL OPENINGS - EXCEPT INLET SHUTTERS - CLOSED FOR PROPER VENTILATION.
4. MENTION OF A TRADE NAME IS FOR COMPARISON PURPOSES ONLY. THE AGRICULTURAL EXTENSION SERVICE DOES NOT ENDORSE THE MENTIONED PRODUCTS OR DISAPPROVE OF SIMILAR PRODUCTS NOT MENTIONED.
5. WARMER CLIMATES MAY REQUIRE AN EVAPORATIVE COOLER ON THE FRESH AIR INLET TO PROVIDE SATISFACTORY TEMPERATURE CONTROL DURING HOT WEATHER.
6. FANS "A", "B" & "C" ARE EXHAUST TYPE WITH GRAVITY SHUTTERS.



NOTE:
 R - B OPENS
 (B, R-Y CLOSES)
 ON TEMP. RISE

WIRING DIAGRAM