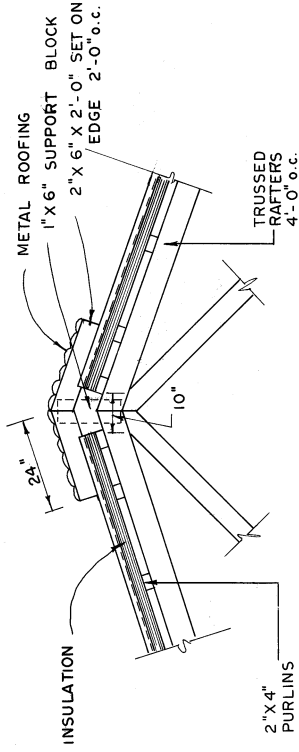
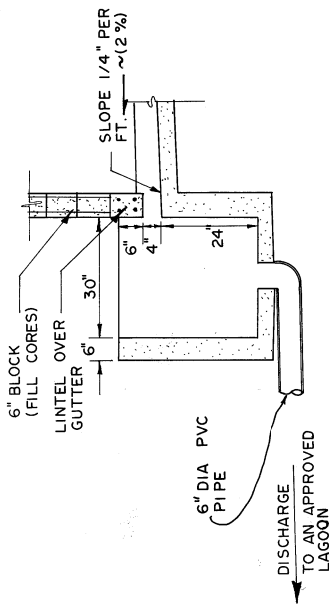


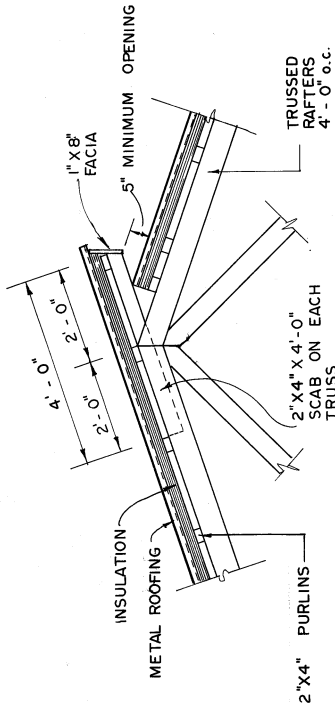
**SECTION C-C**



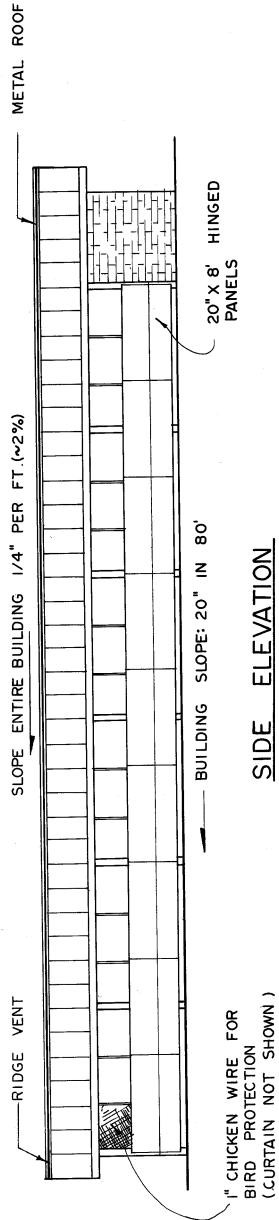
**ALTERNATE RIDGE VENT**



**SECTION B-B**



**RIDGE VENT DETAIL**



**SIDE ELEVATION**