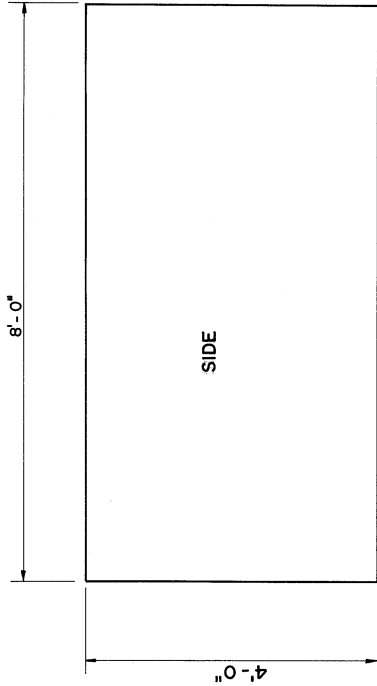


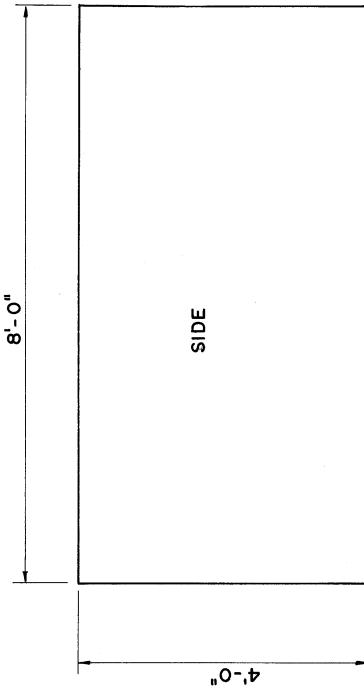
COOPERATIVE EXTENSION WORK IN
 AGRICULTURE AND HOME ECONOMICS
 STATE OF TENNESSEE
 UNIVERSITY OF TENNESSEE
 AGRICULTURAL ENGINEERING DEPARTMENT
 AND
 UNITED STATES DEPARTMENT OF AGRICULTURE COOPERATING

**MODIFIED A-FRAME PORTABLE
 FARROWING HOUSE**
 TENN 12-12-78 SHEET 1 OF 2
 GFG PWE PLAN NO. T 4047

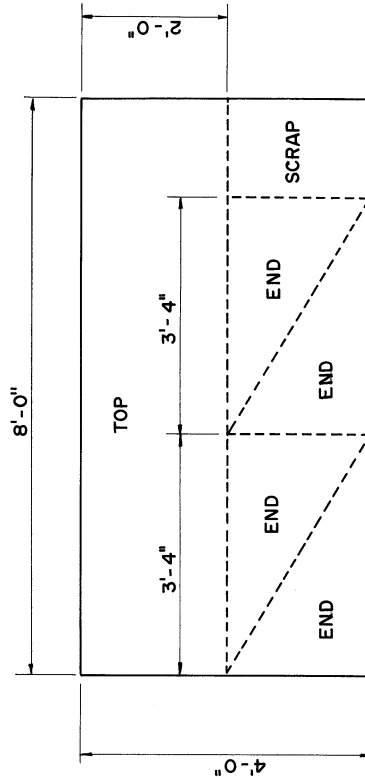
PLAN



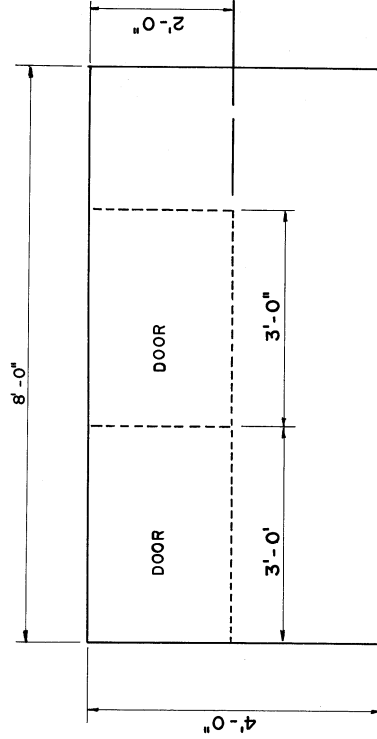
SHEET 1



SHEET 2



SHEET 3



SHEET 4

NOTE : DOORS MAY BE CONSTRUCTED OF 1" OAK

LIST OF MATERIALS

PLYWOOD

3 1/2 SHEETS - 1/2" x 4' x 8' MARINE TYPE PLYWOOD

LUMBER:

- 2 - 3" x 4" x 10' PRESSURE TREATED RUNNERS
- 11 - 2" x 4" x 8' FRAMING AND GUARD RAILS
- 13 - 1" x 8" x 6' OAK FLOORING BOARDS
- 1 - 1" x 6" x 12' OAK CREEP PANEL
- 3 - 1" x 4" x 12' OAK STILES AT DOORWAYS & DOOR FRAMING

HARDWARE :

- 6 - HEAVY DUTY STRAP HINGES
- 4 - HEAVY DUTY HASPS
- 80" x 1/4" x 1" STEEL FOR GUARD RAIL ANCHORS
- 8 - 3/8" x 3" LAG BOLTS TO ATTACH GUARD RAILS
- 8 - 3/8" x 2 1/2" BOLTS TO ATTACH GUARD RAILS
- 2 - 3/8" x 1 1/2" BOLTS TO ATTACH GUARD RAILS
- 2 - 3/8" x 1" BOLTS TO ATTACH GUARD RAILS

MISCELLANEOUS :

6d, 8d, AND 16d NAILS (AS REQUIRED)
BOLTS AND SCREWS TO ATTACH HINGES (AS REQUIRED)

COOPERATIVE EXTENSION WORK IN
AGRICULTURE AND HOME ECONOMICS
STATE OF TENNESSEE
UNIVERSITY OF TENNESSEE
AGRICULTURAL ENGINEERING DEPARTMENT
AND
UNITED STATES DEPARTMENT OF AGRICULTURE COOPERATING

MODIFIED A-FRAME PORTABLE
FARROWING HOUSE

TENN 12-12-78 SHEET 2 OF 2
GFG PWE PLAN NO. T4047