

LIST OF MATERIALS

SHEET METAL

- 1 - 4'-0" X 8'-6 1/2" X 16 GA. SHEET METAL (BEND TO FORM FRONT, BOTTOM, & BACK)
- 2 - 3'-0" X 3'-0" X 16 GA. SHEET METAL ENDS.

TOP FRAME

- 2 - 2" X 2" X 1/8" X 3'-4" LONG ANGLE.
- 2 - 2" X 2" X 1/8" X 4'-0" LONG ANGLE.

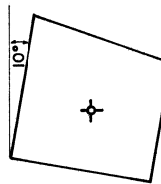
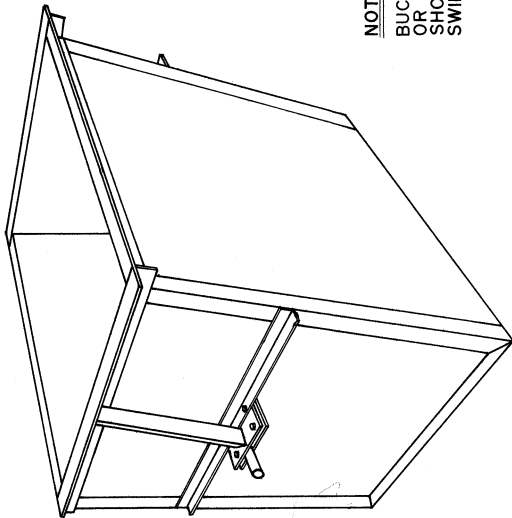
END FRAMES

- 2 - 1 1/2" X 1 1/2" X 1/8" X 2'-10" ANGLE.
- 2 - 1 1/2" X 1 1/2" X 1/8" X 2'-6" ANGLE.
- 2 - 1 1/2" X 1 1/2" X 1/8" X 2'-10 1/2" ANGLE.

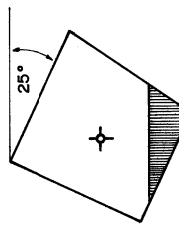
PIVOT MECHANISM

- 2 - 2" X 2" X 1/8" X 2'-10" ANGLE (PIVOT MOUNTS)
- 2 - 1/2" X 1 1/2" X 1/8" X 1'-5" ANGLE STRUT BRACES.
- 2 - 1/4" X 10" LONG SHAFTS.
- 4 - 5/8" X 1/4" PLATES.
- 8 - 3/8" X 2 1/2" MACHINE BOLTS.
- 2 - 1 1/4" PILLOW BLOCK BEARINGS.
- 1/2" X 1 1/2" X 1/4" SHIMS (AS REQUIRED FOR BALANCING.)

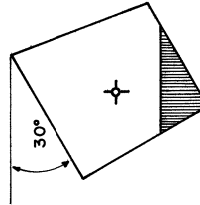
NOTE:
 BUCKETS CONSTRUCTED OF MATERIALS OR DIMENSIONS DIFFERENT FROM THOSE SHOWN MAY NOT FUNCTION AS FREE-SWINGING BUCKETS.



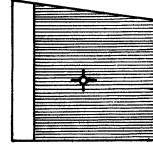
EMPTY POSITION



MAXIMUM FORWARD TIP



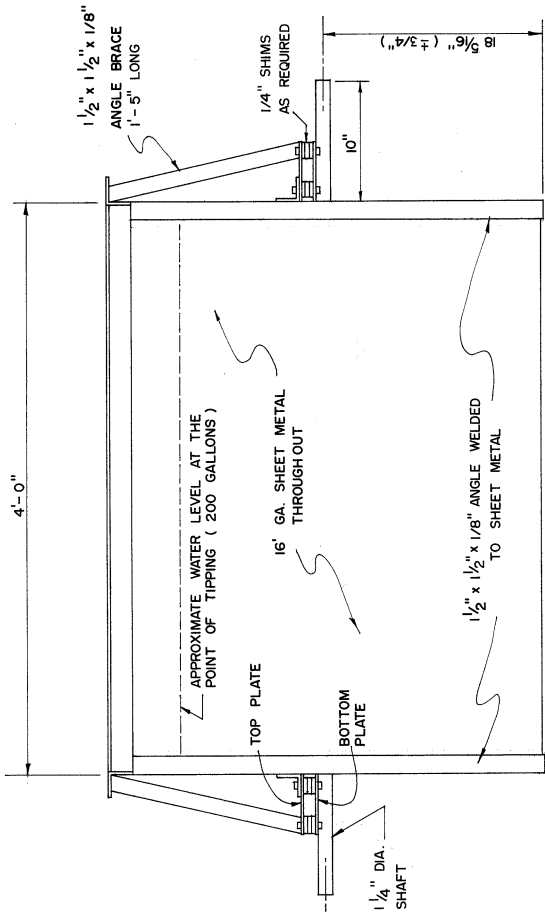
MAXIMUM BACKWARD TIP



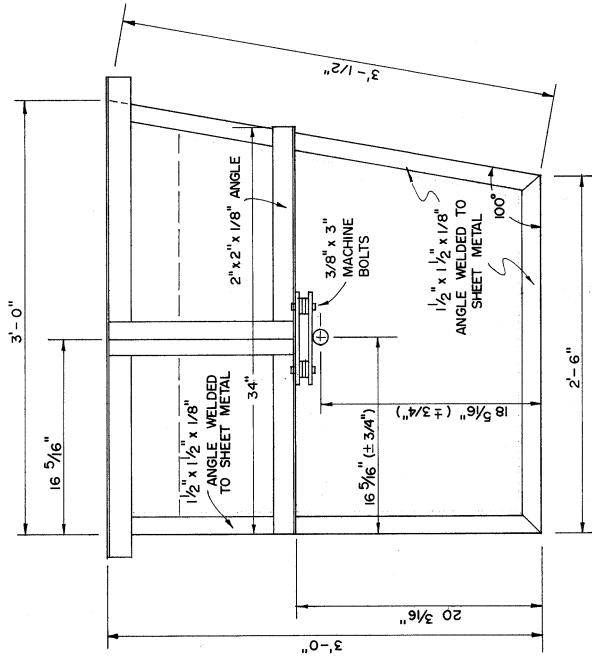
FULL POSITION

MOVEMENT OF THE FREE-SWINGING BUCKET AS WATER IS ADDED

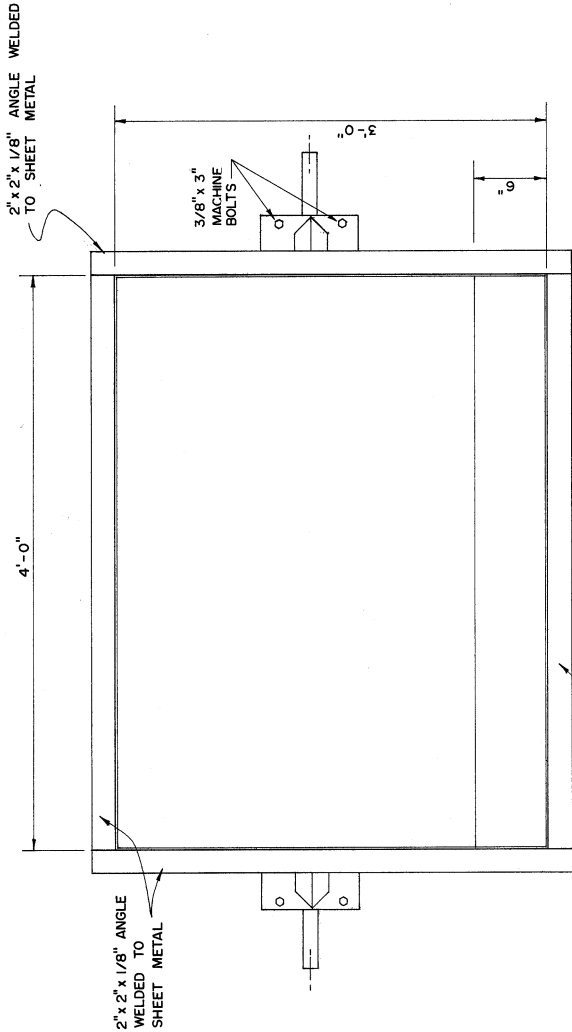
COOPERATIVE EXTENSION WORK IN AGRICULTURE AND HOME ECONOMICS	
STATE OF TENNESSEE	
UNIVERSITY OF TENNESSEE	
AGRICULTURAL ENGINEERING DEPARTMENT	
UNITED STATES DEPARTMENT OF AGRICULTURE COOPERATING	
FREE-SWINGING FLUSH BUCKET	
200 GALLON CAPACITY	
TENN.	8-10-78
GFG/SN	SHEET 1 OF 2
PLAN NO. T4044	



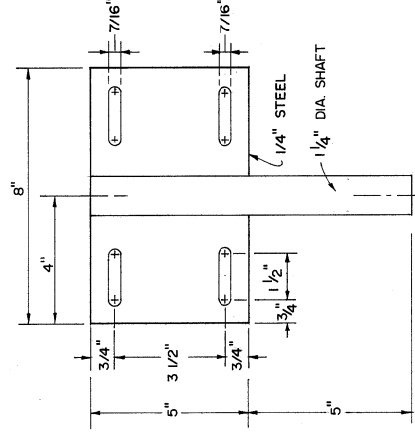
FRONT VIEW



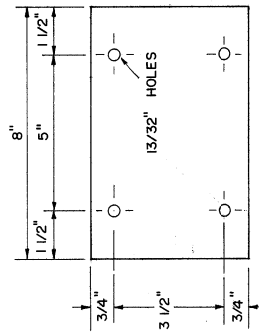
END VIEW



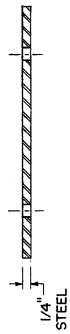
TOP VIEW



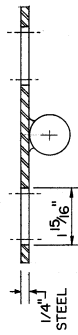
BOTTOM VIEW OF BOTTOM PLATE



TOP VIEW OF TOP PLATE



SECTION THRU TOP PLATE



SECTION THRU BOTTOM PLATE

COOPERATIVE EXTENSION WORK IN AGRICULTURE AND HOME ECONOMICS
STATE OF TENNESSEE
UNIVERSITY OF TENNESSEE
AGRICULTURAL ENGINEERING DEPARTMENT
UNITED STATES DEPARTMENT OF AGRICULTURE COOPERATING

FREE - SWINGING FLUSH BUCKET
200 GALLON CAPACITY

TENN. 8 - 10 - 78 SHEET 2 OF 2
GFG / PWE PLAN NO. T4044