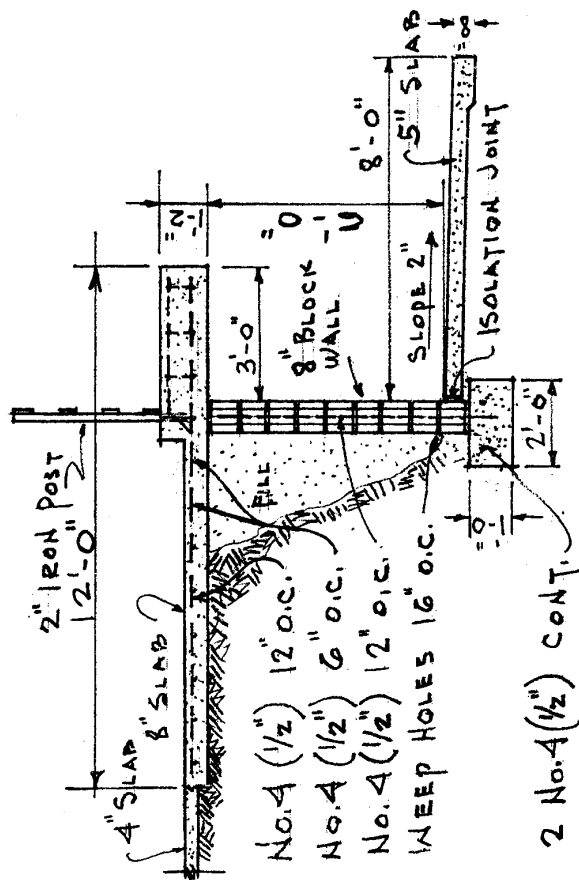
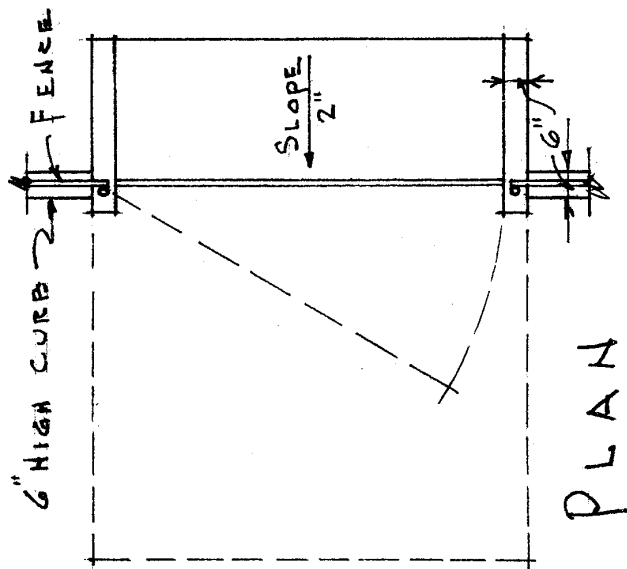


ELEVATION

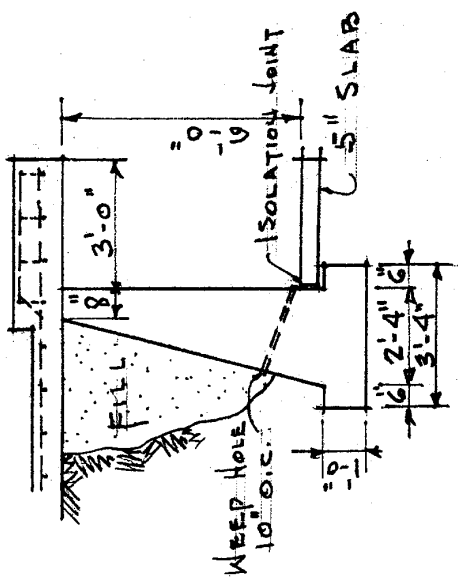
PLAN NO.  
724-8  
MANURE  
LOADING  
PLATFORM



SECTION



PLAN



ALTERNATE RETAINING WALL  
EXTENSION AGRICULTURAL ENGINEERING DEPARTMENT  
UNIVERSITY OF TENNESSEE