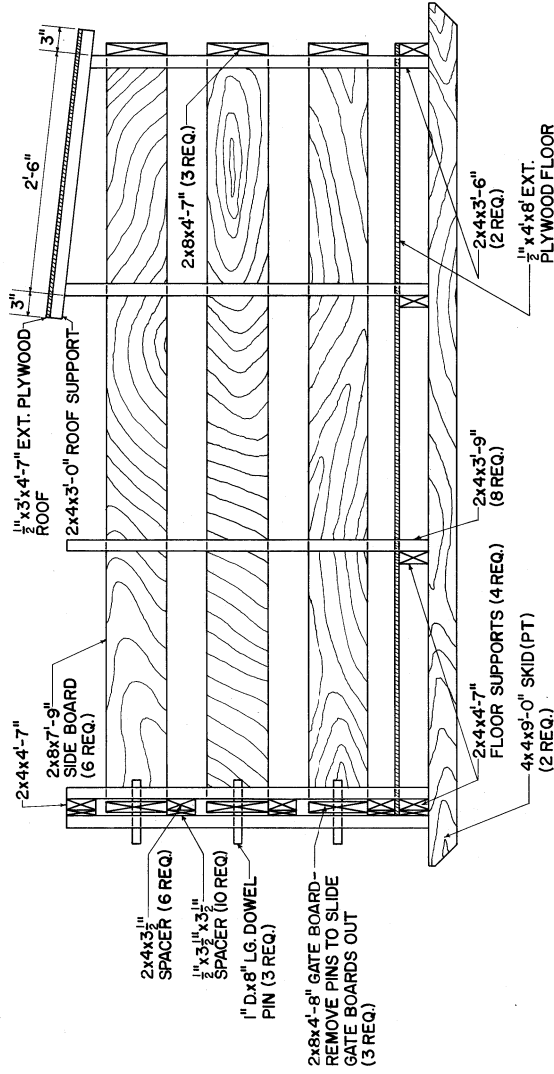
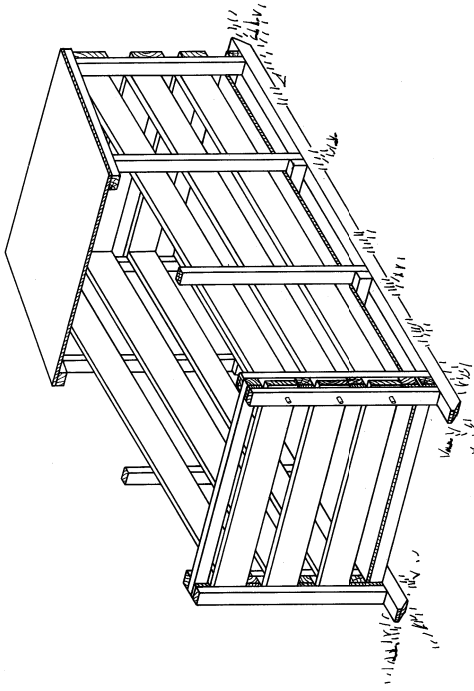


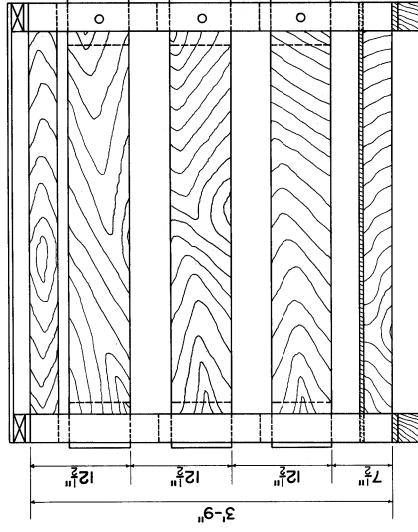
PLAN



SIDE ELEVATION



**PICTORIAL
NOT TO SCALE**



ELEVATION - GATED END

1/2" 9" 6" 3" 0"
SCALE UNLESS OTHERWISE NOTED

COOPERATIVE EXTENSION WORK IN
AGRICULTURE AND HOME ECONOMICS
STATE OF TENNESSEE
UNIVERSITY OF TENNESSEE
AND
DEPARTMENT OF AGRICULTURE COOPERATING

BACKYARD PIGPEN
W.V.A. '78 6305 SHEET 1 OF 1