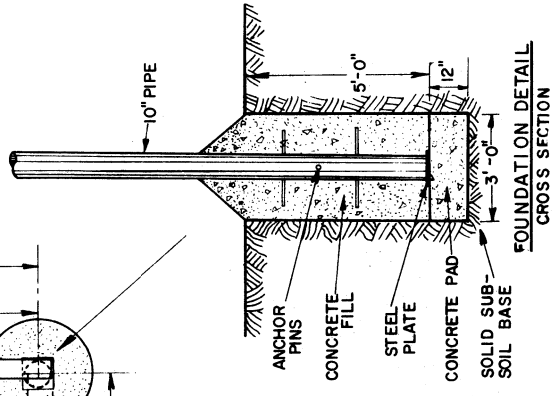
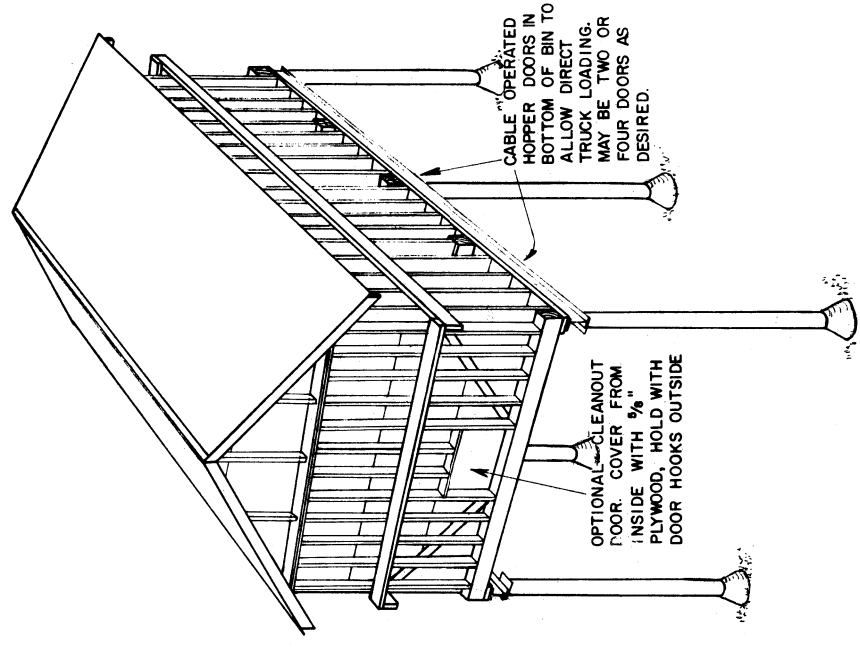


FOUNDATION PLAN



FOUNDATION DETAIL  
CROSS SECTION



CABLE OPERATED HOPPER DOORS IN BOTTOM OF BIN TO ALLOW DIRECT TRUCK LOADING. MAY BE TWO OR FOUR DOORS AS DESIRED.

OPTIONAL CLEANOUT DOOR. COVER FROM INSIDE WITH 3/4" PLYWOOD, HOLD WITH DOOR HOOKS OUTSIDE.

**PERSPECTIVE**

STORAGE BIN FOR SAWDUST FROM SAWMILL DIRECT LOADING INTO LARGE DUMP TRUCKS CLEARANCE 14', EXCEPT FOR HIGH CUBE TRAILERS (13'-6" HIGH) - PROVIDE 16' CLEARANCE

**FINISH**

BIN CAN BE PAINTED, BUT IS BEST LEFT UNFINISHED. PRESERVE WOOD BY APPLICATIONS OF PENTACHLOROPHENOL (PENTA), ESPECIALLY TO PROTECT END GRAIN OF EXPOSED WOODEN PIECES.

DESIGN FROM BIN BUILT BY WADE COCHRAN, MCKEAN COUNTY

PLAN LAYOUT IN CONSULTATION WITH ROE S. COCHRAN

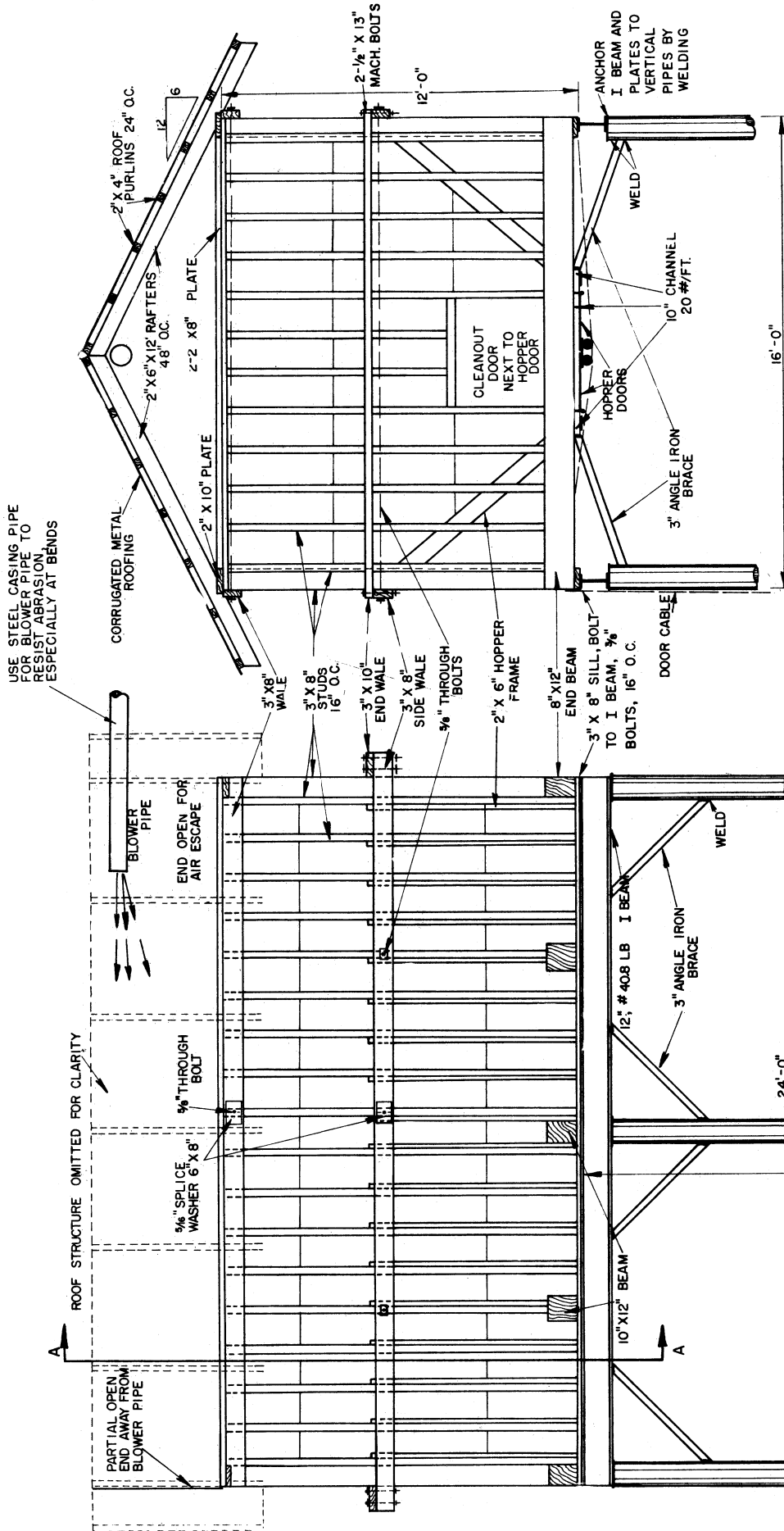
3500 CU. FT.



COOPERATIVE EXTENSION WORK IN AGRICULTURE AND HOME ECONOMICS  
STATE OF TENNESSEE  
UNIVERSITY OF TENNESSEE  
AND  
UNITED STATES DEPARTMENT OF AGRICULTURE COOPERATING

ELEVATED SAWDUST BIN  
PA '77 6276 SHEET 1 OF 3

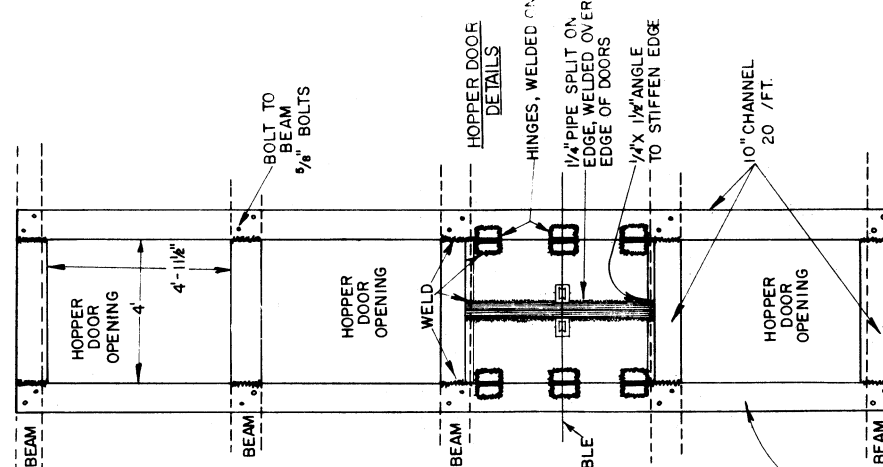
**NOTE:**  
CONSULT LOCAL HEALTH AND BUILDING CODE AUTHORITIES BEFORE STARTING CONSTRUCTION.  
EXTEND FOOTINGS TO FIRM BASE BELOW FROST LINE



END VIEW

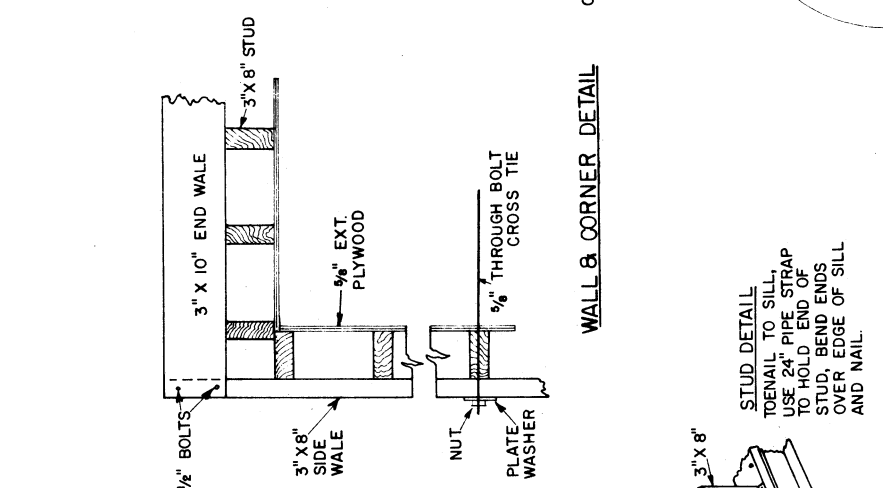
NOTE  
 FULL SIZED ROUGH LUMBER TO BE USED, OAK SUGGESTED.  
 BIN LINER - 5/8" EXT. PLYWOOD OR 1" LUMBER LINED WITH 28 GAUGE GALVANIZED STEEL.

SIDE VIEW



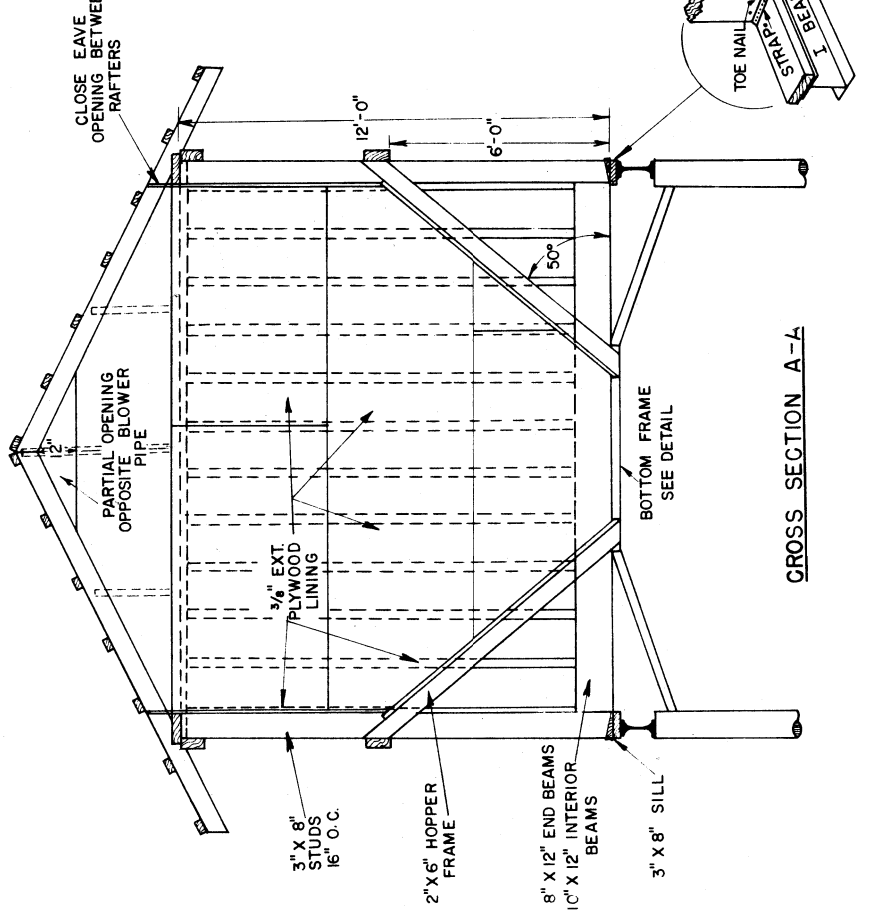
**BOTTOM FRAME DETAIL**  
VIEW FROM BELOW

NOTE: FOUR HOPPER DOORS WORK BEST, BUT TWO CAN BE USED. IN HOPPER OPENINGS WITHOUT DOORS, USE A FLOOR OF 2" OAK PLANKS.

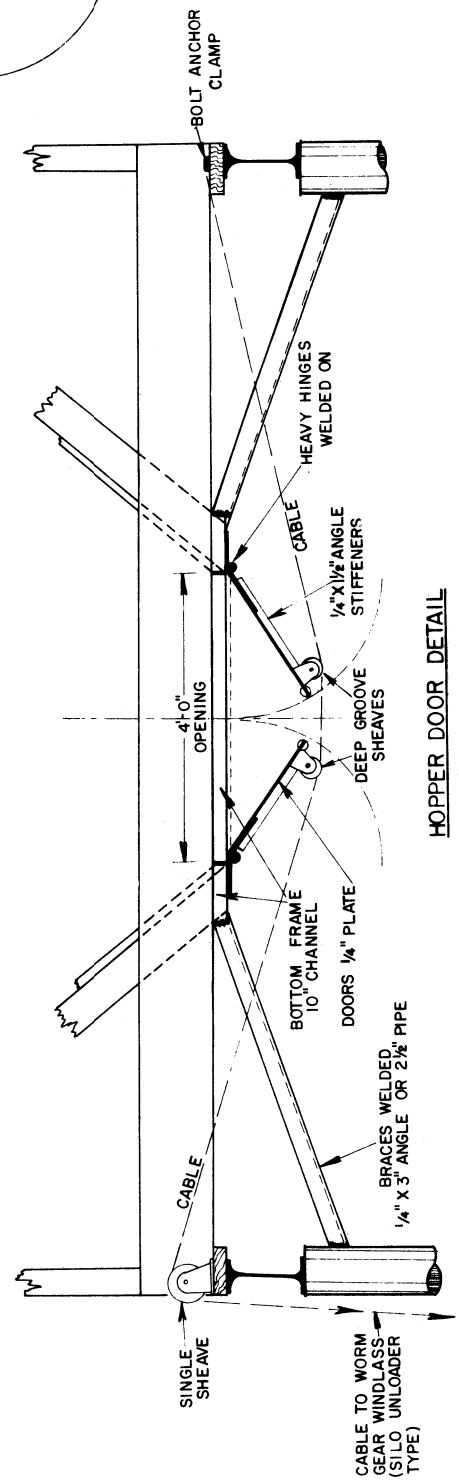


**WALL & CORNER DETAIL**

STUD DETAIL  
TO NAIL TO SILL,  
USE 24" PIPE STRAP  
TO HOLD END OF  
STUD, BEND ENDS  
OVER EDGE OF SILL  
AND NAIL.



**CROSS SECTION A-A**



**HOPPER DOOR DETAIL**

CABLE TO WORM GEAR WINLASS (SILOS UNLOADER TYPE)