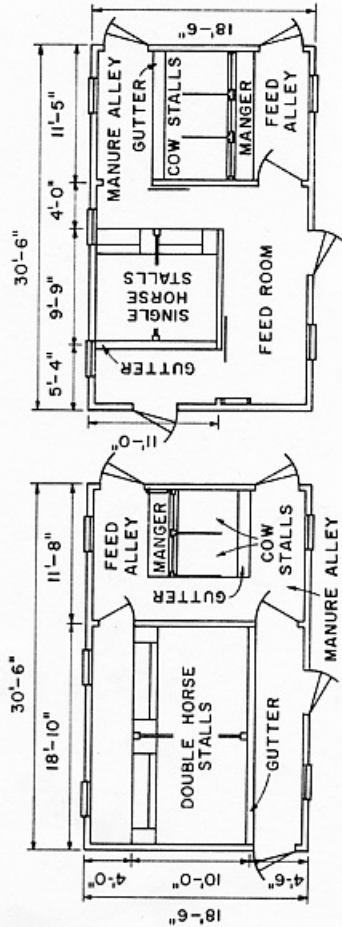
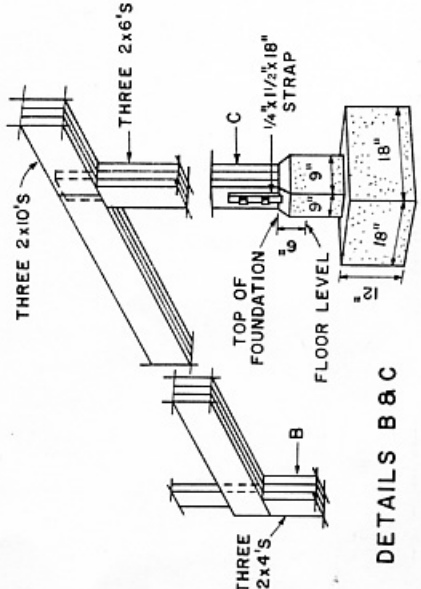


PLAN

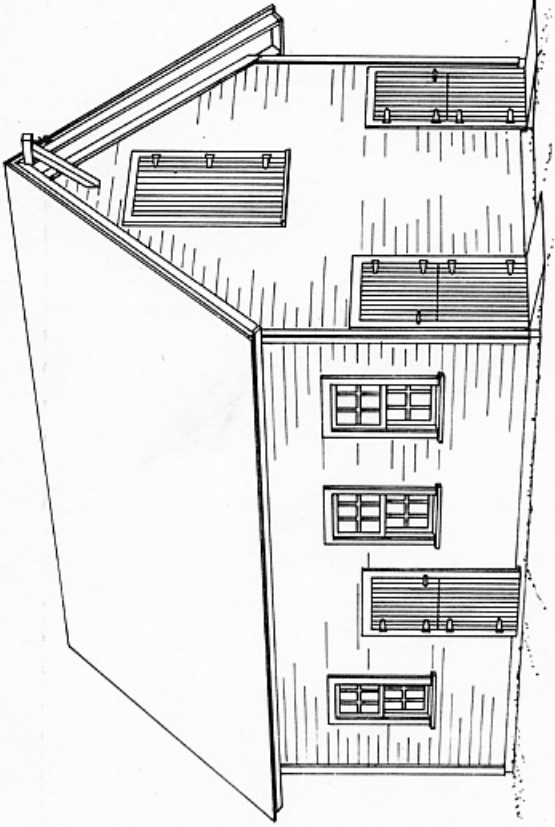


ALTERNATE PLANS

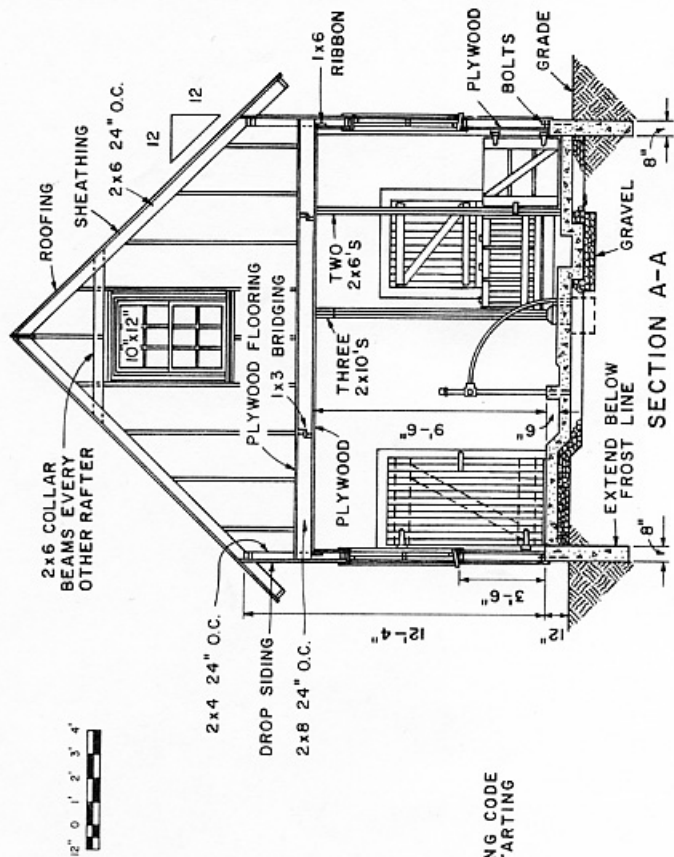
SCALE: 1/8"=1'-0"  
12"=0' 4" 8"



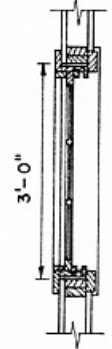
DETAILS B & C



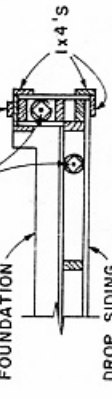
PERSPECTIVE



SECTION A-A



SECTION OF WINDOW



SECTION AT CORNER

NOTE: CONSULT LOCAL BUILDING CODE AUTHORITIES BEFORE STARTING CONSTRUCTION.

COOPERATIVE EXTENSION WORK IN AGRICULTURE AND HOME ECONOMICS  
STATE OF TENNESSEE  
UNIVERSITY OF TENNESSEE  
AGRICULTURAL ENGINEERING DEPARTMENT  
UNITED STATES DEPARTMENT OF AGRICULTURE COOPERATING

GENERAL BARN  
USDA '76 6 2 6 7 SHEET 1 OF 1

BASED ON: USDA PLAN NO. 5021