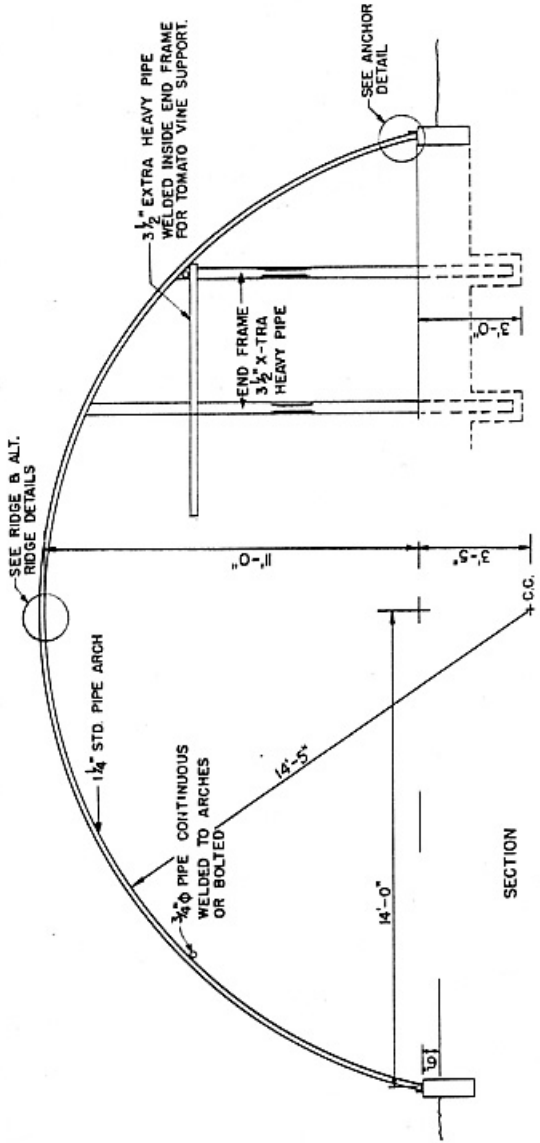
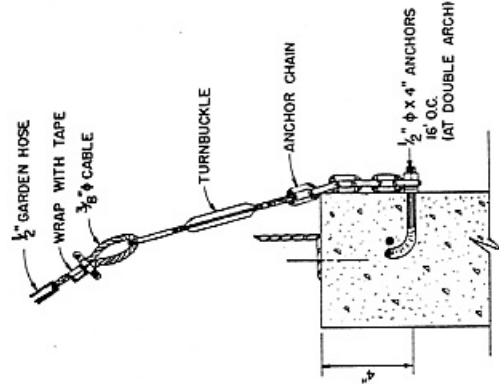


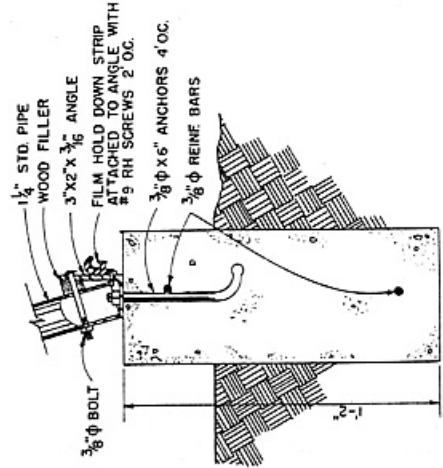
AIR SUPPLY ATTACHMENT



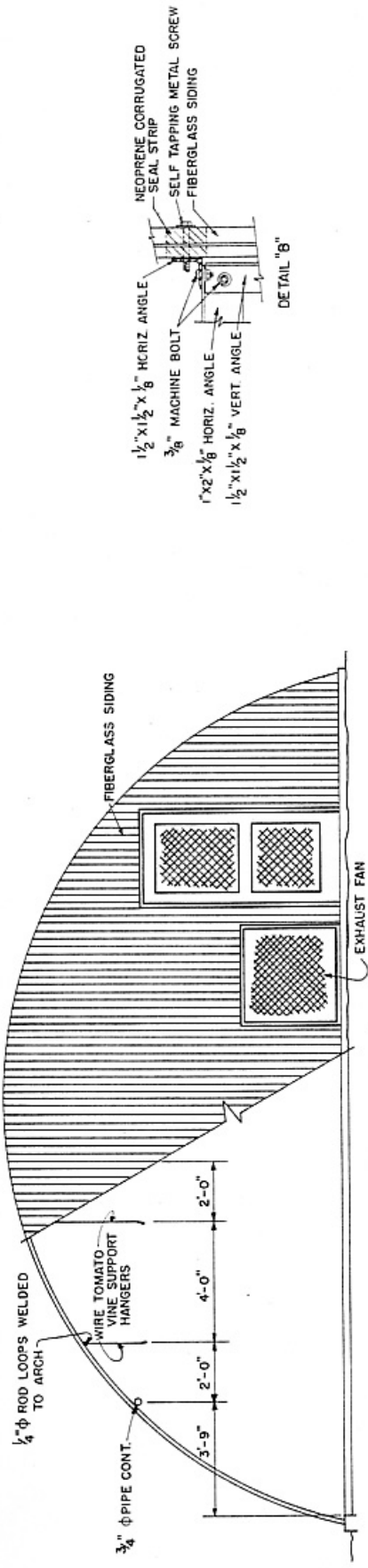
SECTION



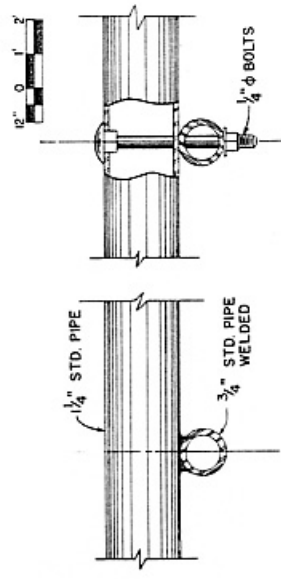
TIE DOWN CABLE ANCHOR  
INSTALL ON BOTH SIDES OF BLDG.



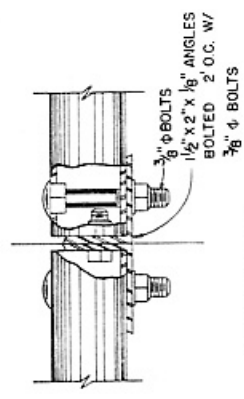
FOUNDATION DETAIL



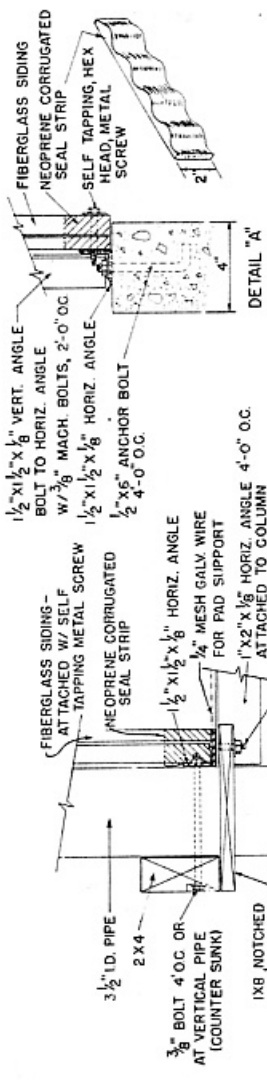
END ELEVATION A SECTION



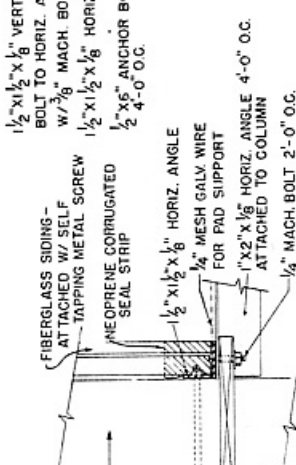
RIDGE DETAIL FOR CONTINUOUS ARCH (ACTUAL PIPE LENGTH 38'-3 5/8")



ALT. RIDGE DETAIL USE TWO 30° ARCHES TO FORM I FRAME (ACTUAL PIPE LENGTH = 19'-1 15/16")

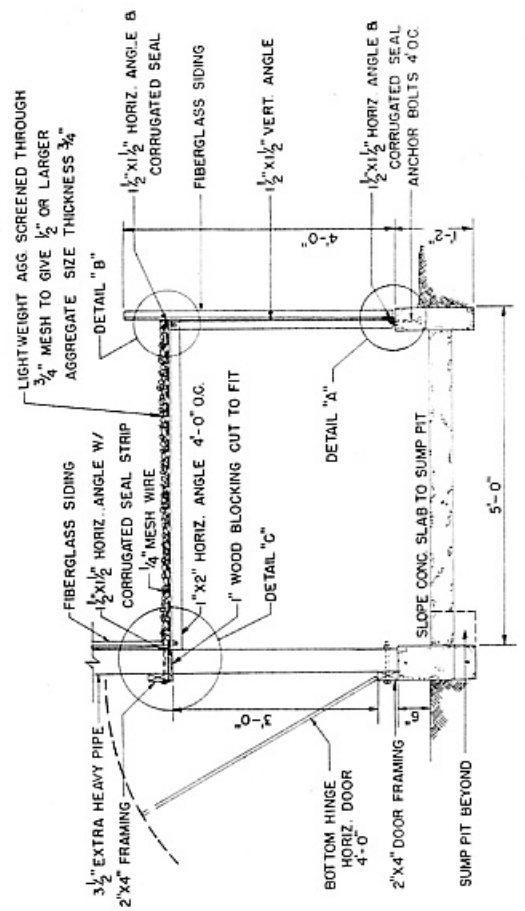


DETAIL "A"

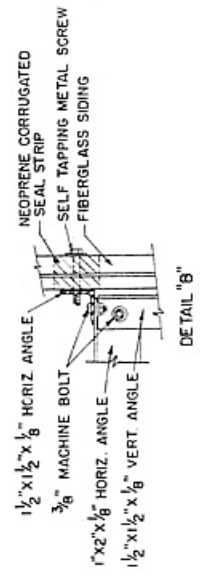


DETAIL "B"

DETAIL "C"



HORIZONTAL EVAPORATIVE PAD SECTION



DETAIL "B"