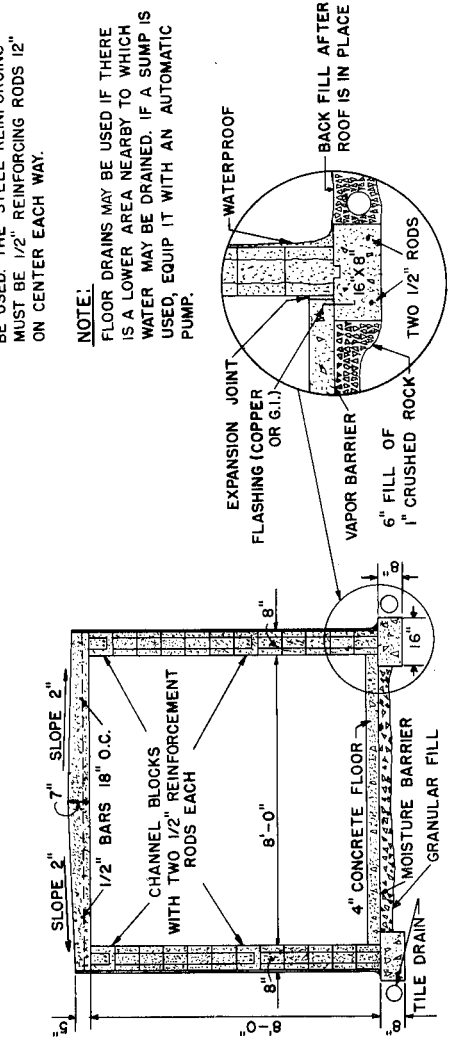
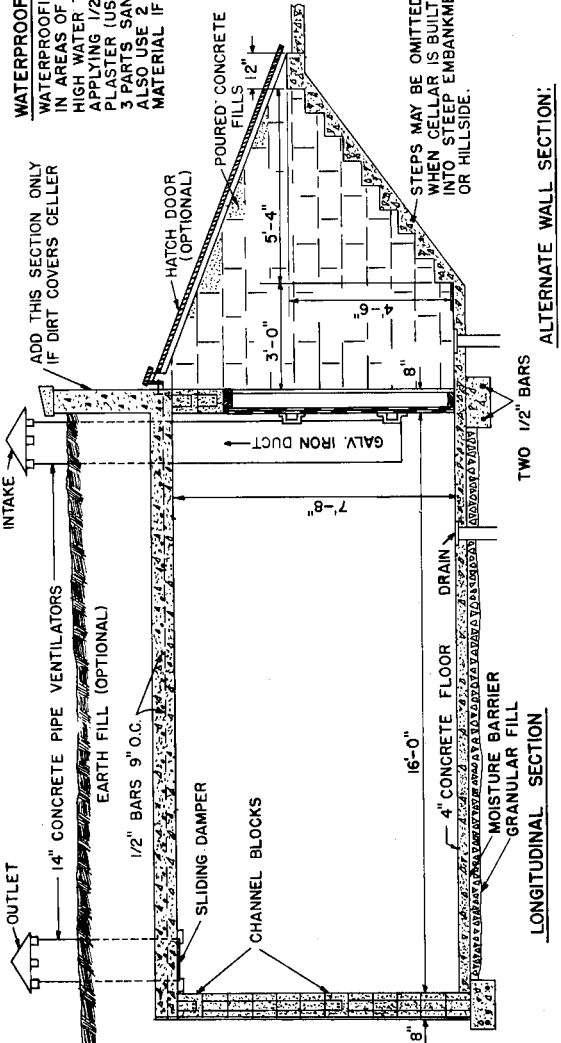
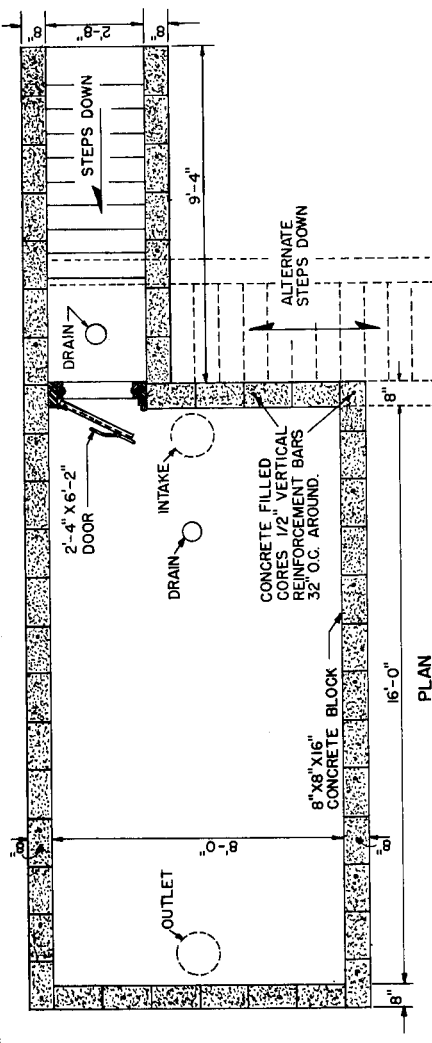


BASED ON: AUBURN UNIV. PLAN NO. U-113 & U-114

COOPERATIVE EXTENSION WORK IN
AGRICULTURE AND HOME ECONOMICS
STATE OF TENNESSEE
UNIVERSITY OF TENNESSEE
AGRICULTURAL ENGINEERING DEPARTMENT
UNITED STATES DEPARTMENT OF AGRICULTURE COOPERATING

ALA. '75 6209 SHEET 1 OF 1
STORM CELLAR



WATERPROOFING:
WATERPROOFING MAY BE DESIRABLE IN AREAS OF HEAVY RAINFALL OR HIGH WATER TABLES. WATERPROOF BY APPLYING 1/2" PORTLAND CEMENT AND PLASTER (USING 1 PART CEMENT AND 3 PARTS SAND) TO OUTSIDE WALL. ALSO USE 2 COATS OF BITUMINOUS MATERIAL IF NEEDED.

ALTERNATE WALL SECTION:
A 6" POURED CONCRETE WALL MAY BE USED. THE STEEL REINFORCING MUST BE 1/2" REINFORCING RODS 12" ON CENTER EACH WAY.

NOTE:
FLOOR DRAINS MAY BE USED IF THERE IS A LOWER AREA NEARBY TO WHICH WATER MAY BE DRAINED. IF A SUMP IS USED, EQUIP IT WITH AN AUTOMATIC PUMP.

CONSULT LOCAL HEALTH AND BUILDING CODE AUTHORITIES BEFORE STARTING CONSTRUCTION