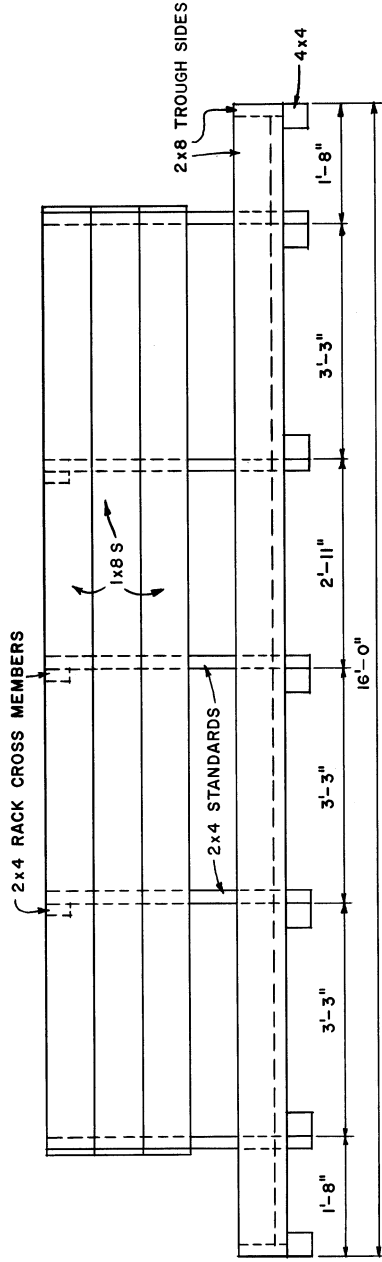


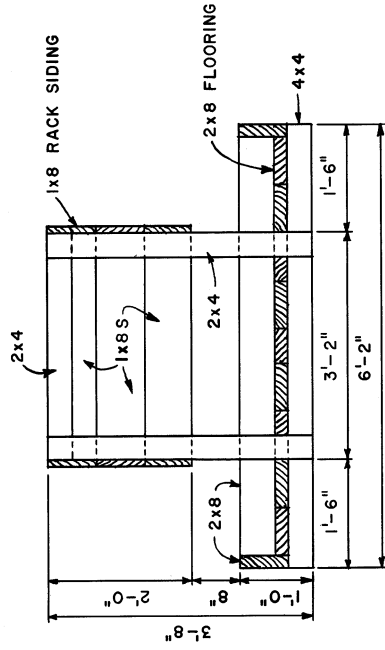
MATERIALS LIST

DESCRIPTION	NO. PCS.	DIMENSION
FLOOR SUPPORTS	7	4x4x6'-2"
FLOOR SIDES	9	2x8x15'-8"
FLOOR ENDS	2	2x8x16'-0"
RACK STANDARDS	10	2x8x5'-10"
RACK CROSS MEMBERS	3	2x4x3'-8"
RACK SIDES	6	1x8x13'-0"
RACK ENDS	6	1x8x3'-4"
NAILS	2 LBS.	8d
NAILS	4 LBS.	16d
OPTIONAL CENTER DIVERTER		
FLOOR SUPPORTS	10	2x6x2'-0"
EXTRA FLOORING	1	2x8x13'-0"
	2	2x6x13'-0"

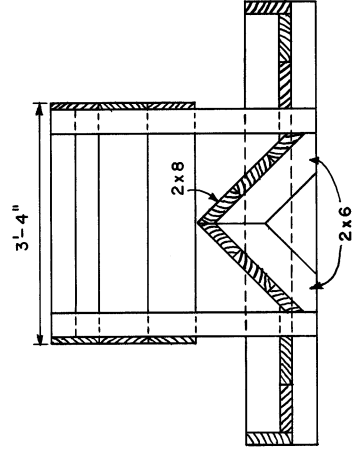
NOTE: ALL DIMENSIONS BASED ON FULL SIZE LUMBER.



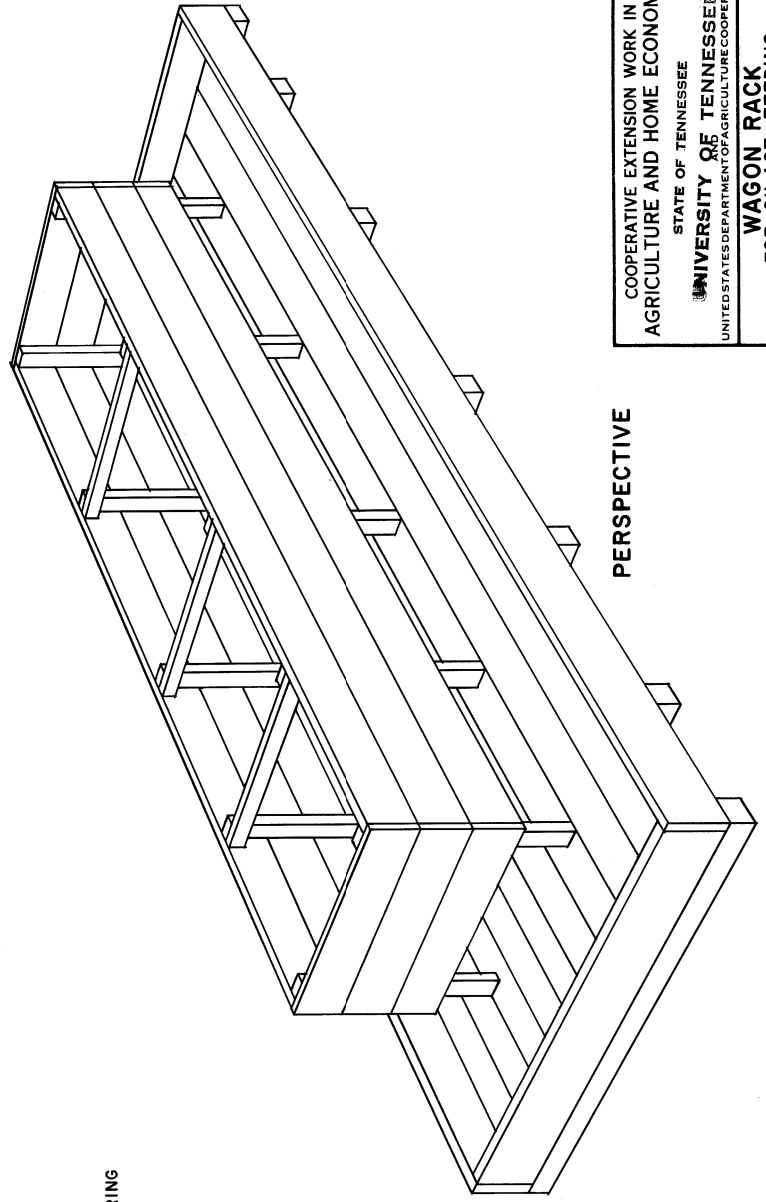
SIDE VIEW



CROSS SECTION



CROSS SECTION WITH CENTER DIVERTER



PERSPECTIVE

COOPERATIVE EXTENSION WORK IN
AGRICULTURE AND HOME ECONOMICS

STATE OF TENNESSEE
UNIVERSITY OF TENNESSEE
UNITED STATES DEPARTMENT OF AGRICULTURE COOPERATING

WAGON RACK
FOR SILAGE-FEEDING

PENN. '72 **6143** SHEET 1 OF 1