

LIST OF MATERIALS:

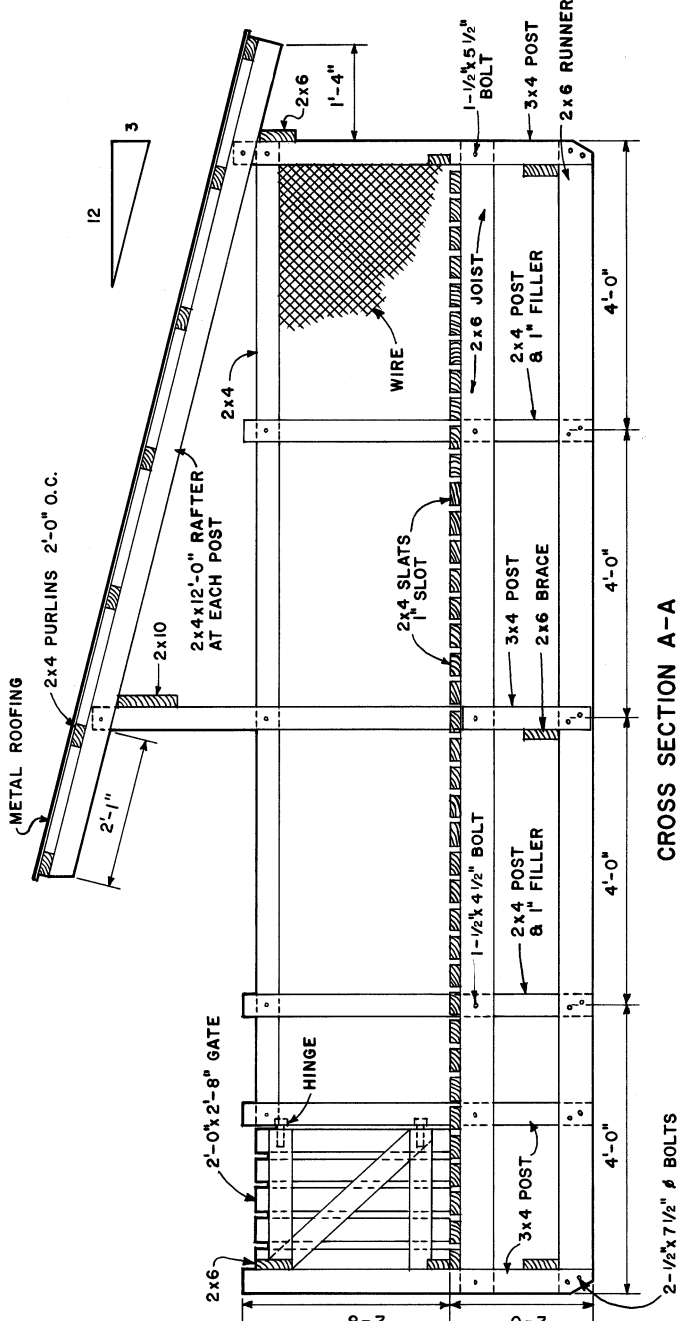
- BRACES - 6 PCS. 2x6x5'-0"*
- GATE MATERIAL - 2 PCS. 1x4x10'-0"*
- 2-4" T-HINGES
- GIRDERS AND TOP RAILING - 1 PC. 2x10x16'-0"*
- 2 PCS. 2x6x14'-0"*
- 2 PCS. 2x6x16'-0"*
- HARDWARE - 22-1/2"x7 1/2" BOLTS
- 36-1/2"x5 1/2" BOLTS
- 8-1/2"x4 1/2" BOLTS
- NAILS
- JOISTS - 4 PCS. 2x6x16'-0"*
- POSTS - 4 PCS. 3x4x5'-0"*
- 2 PCS. 3x4x7'-0"*
- 5 PCS. 3x4x4'-10"*
- 4 PCS. 2x4x4'-10"*
- 2 PCS. 3x4x2'-0"*
- 2 PCS. 2x4x12'-0"*
- RAFTERS - 4 PCS. 2x4x12'-0"*
- ROOFING MATERIAL - 195 SQ. FT. METAL ROOFING
- RUNNERS - 6 PCS. 2x6x16'-0"*
- PURLINS - 7 PCS. 2x6x16'-0"*
- SLATS - 41 PCS. 2x4x14'-0"*
- WATERER - HOG, WITH ELECTRIC HEATING ELEMENT AND PIPE
- WIRE - 3'-0"x60'-0" OF 1" CHAIN LINK WIRE FENCING OR EQUIVALENT
- * PRESSURE TREATED

NOTE:
GREEN OAK SLATS SPACED 3/4" APART. WHEN DRIED, SLOT WILL BE 1".

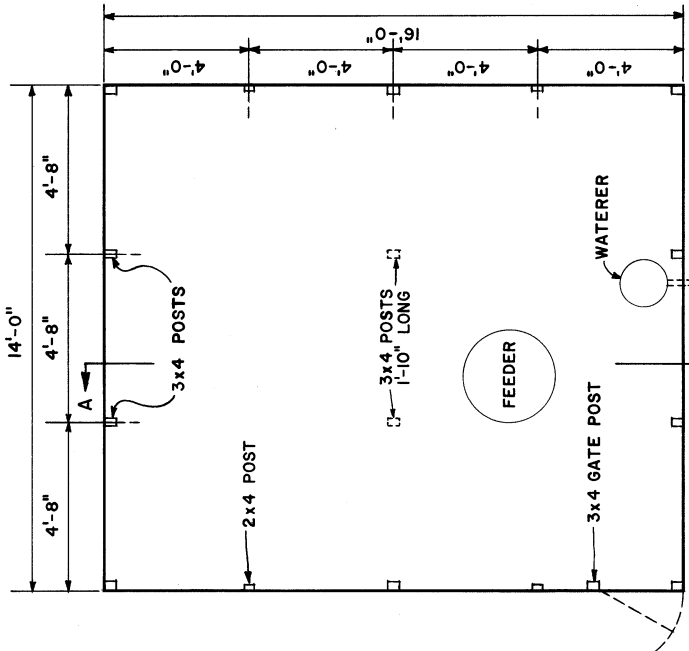
ALL LUMBER EXCEPT RAFTERS, PURLINS, & SLATS TO BE PRESSURE TREATED.

ALTERNATE ROOF

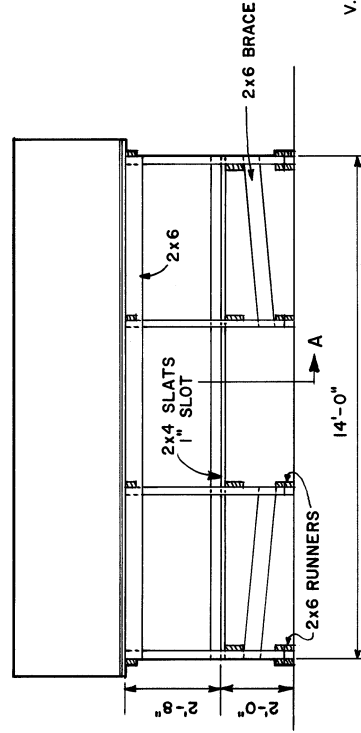
HEIGHT OF ROOF MAY BE INCREASED BY ALTERING LENGTH OF 3x4 POSTS SUPPORTING ROOF, SO THAT A MAN CAN STAND UPRIGHT & SO THAT A LARGE FEEDER CAN BE OPENED & REFILLED UNDER THE ROOF.



CROSS SECTION A-A



FLOOR PLAN



REAR FRAMING

NOTE:
AFTER EACH GROUP OF HOGS IS FINISHED, MOVE UNIT TO NEW POSITION. CLEAN WASTE FROM OLD POSITION. CAPACITY 30 HOGS AND FOR FINISHING MORE HOGS, PROVIDE ADDITIONAL UNITS.
PROVIDE ONE WATERER WITH HEATING ELEMENT.

V.P.I. PLAN G-1.12

COOPERATIVE EXTENSION WORK IN AGRICULTURE AND HOME ECONOMICS
STATE OF TENNESSEE
UNIVERSITY OF TENNESSEE
UNITED STATES DEPARTMENT OF AGRICULTURE COOPERATING

FEEDING UNIT FOR SWINE
MOVABLE

VA. '71 6114 SHEET 1 OF 1