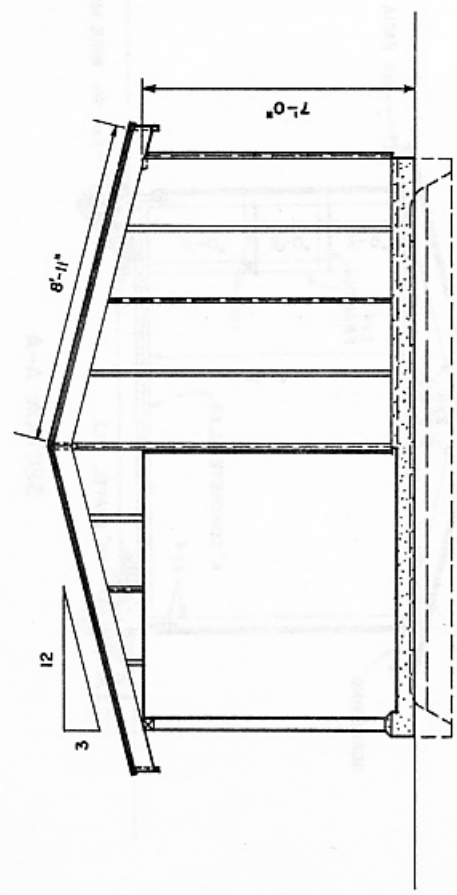


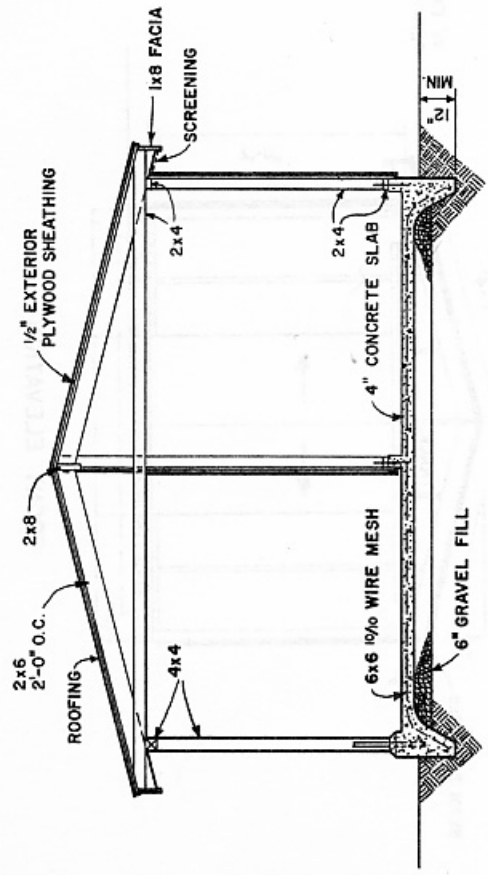
PLAN

TYPE I

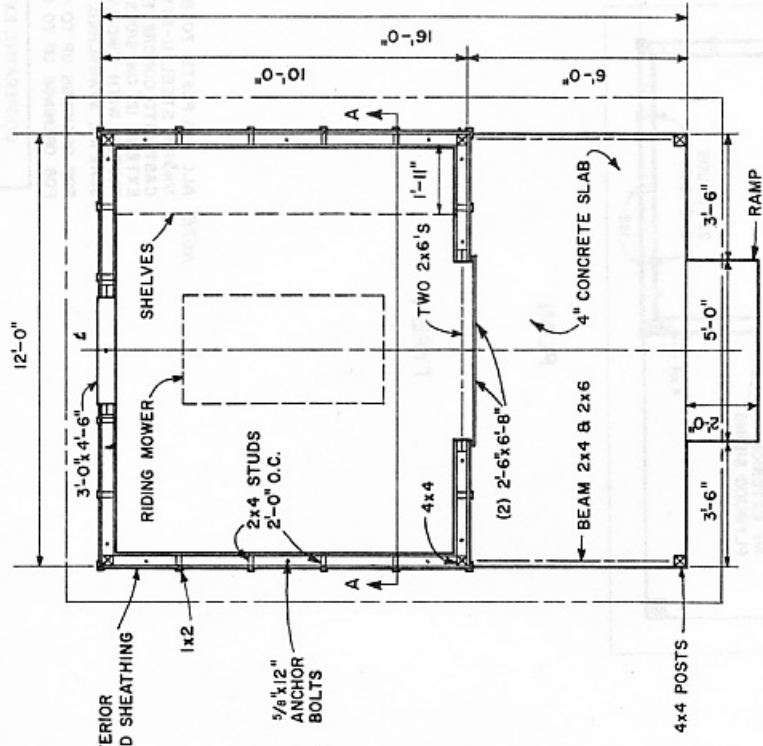
NOTE: ALL 4x4 POSTS TO BE FASTENED WITH 3/8"x1/2" STEEL U-STRAP ANCHORS CAST INTO CONCRETE 12" ENDS TO EXTEND 12" ON SIDES OF POST. FASTEN WITH TWO 3/8"x2 1/2" LAG SCREWS, STAGGERED, EACH SIDE. FOR OPENINGS UP TO 4'-0" USE TWO 2x4'S FOR OPENINGS UP TO 5'-6" USE TWO 2x4'S



SIDE ELEVATION

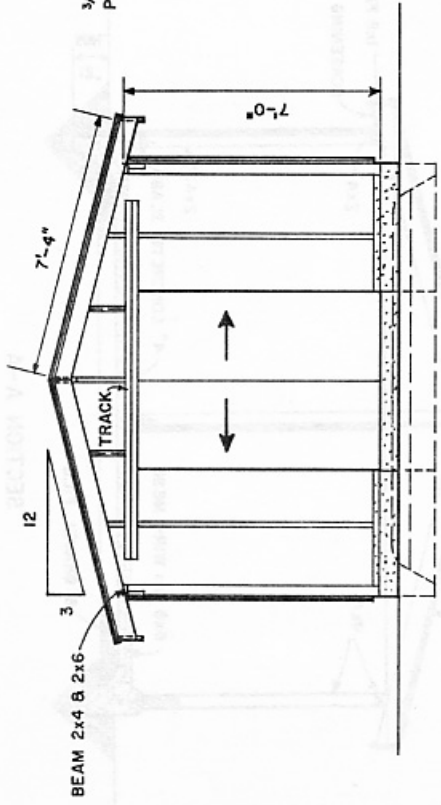


SECTION A-A

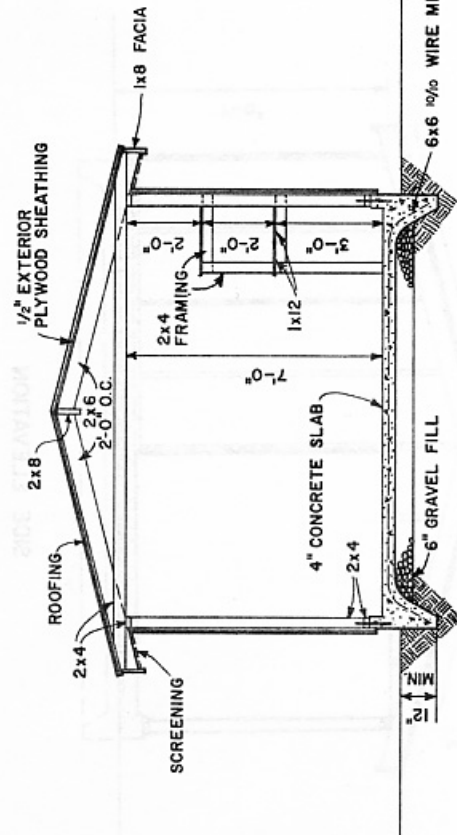


PLAN

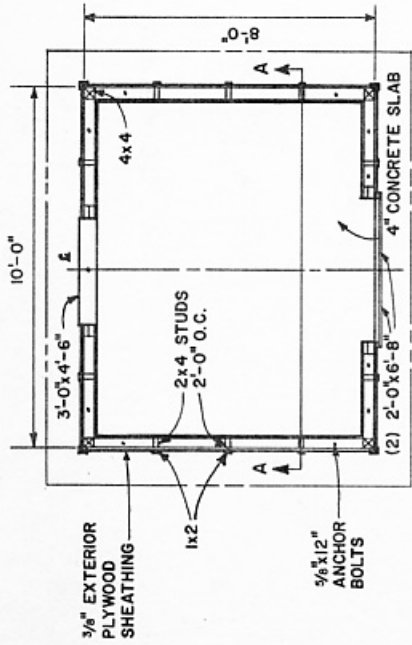
TYPE 2



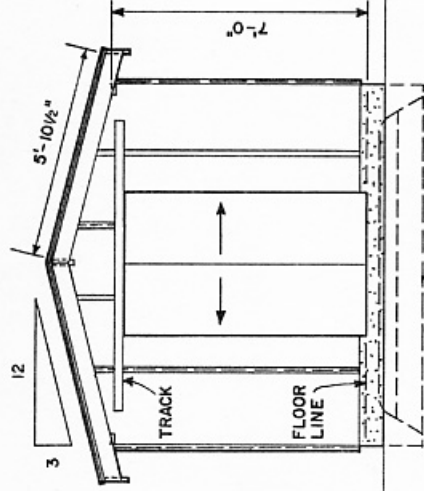
FRONT ELEVATION



SECTION A-A

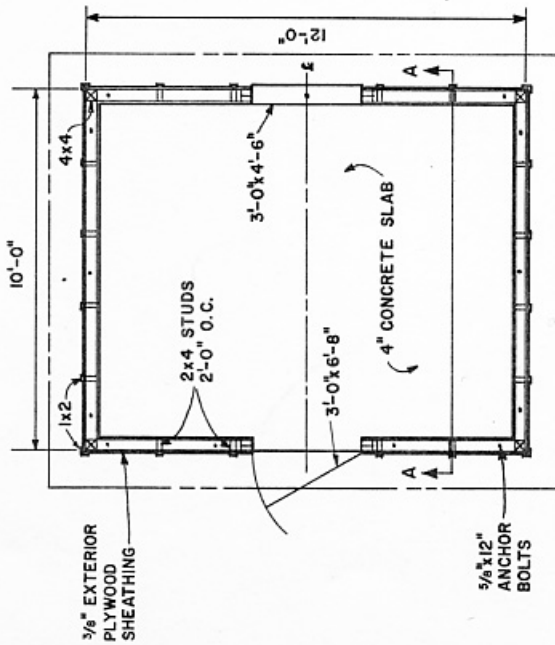


PLAN

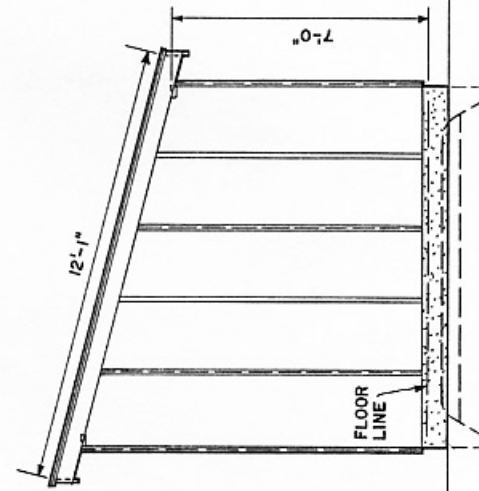


FRONT ELEVATION

TYPE 3

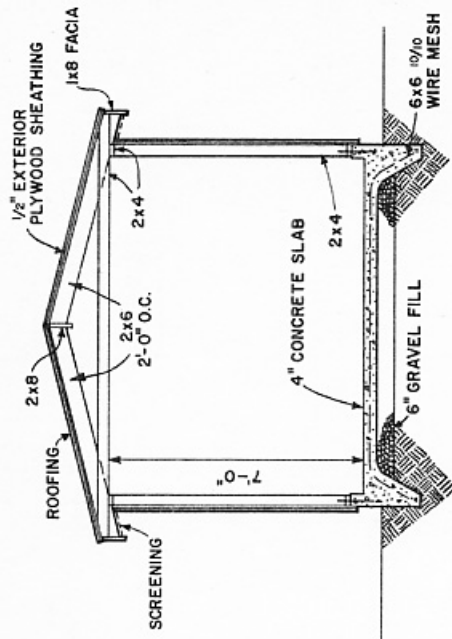


PLAN

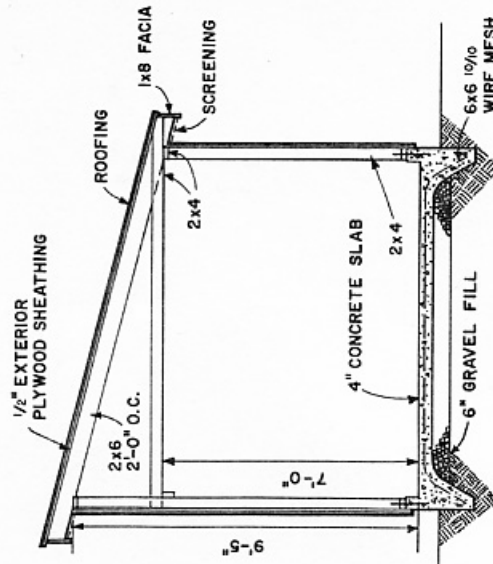


SIDE ELEVATION

TYPE 4



SECTION A-A



SECTION A-A