

MATERIAL LIST	
ITEM NO.	DESCRIPTION
A	2"x4"x59" HORIZONTALS
B	2"x4"x69" UPRIGHTS
C	2"x4"x45" BRACE
D	2"x4"x4" BLOCK
E	2"x4"x13" BLOCK
F	2"x6"x67" NECK BOARD
G	1"x4"x4" HARDBOARD SPACER
H	1"x15"x39" EXT. PLYWOOD BRACE
I	3" PULLEYS
J	1/2" x 8" STRAP IRON
K	1/2" x 17" STRAP IRON
L	1/2" x 4" STRAP IRON
M	3/2" SPRING TOOTH
N	1/2" x 124" CHAIN
O	8 1/2" x 5" MACHINE BOLT
P	1 1/2" x 6" MACHINE BOLT
Q	1 1/2" x 3 1/2" MACHINE BOLT
R	5 1/2" x 2" MACHINE BOLT
S	2 1/2" CUT WASHER
T	1" HOOK
U	1 1/2" x 36" PIPE

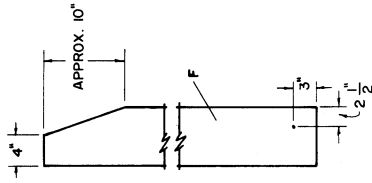
NOTES:

1. WELD CUT WASHER (S) TO SPRING TOOTH (M).
2. 3/8" CABLE MAY BE SUBSTITUTED FOR CHAIN (N).
3. USE PRESSURE TREATED LUMBER FOR LONGER LASTING HEADGATE.
4. HEADGATE MAY BE MOUNTED ON CHUTE IF DESIRED.
5. LENGTH OF BOLTS BASED ON KILN DRIED LUMBER.

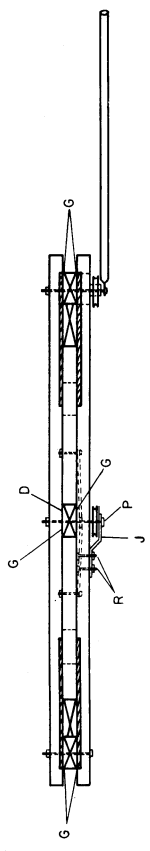
DESIGN BY : MYRON PAINE & PAT LEWIS  
 ACKNOWLEDGEMENT IS MADE  
 TO MAX R. CRAIGHEAD  
 (EXTENSION FORESTER) FOR  
 HIS CONTRIBUTION TO THIS  
 DESIGN.

COOPERATIVE EXTENSION WORK IN  
 AGRICULTURE AND HOME ECONOMICS  
 STATE OF TENNESSEE  
 UNIVERSITY OF TENNESSEE  
 UNITED STATES DEPARTMENT OF AGRICULTURE COOPERATING

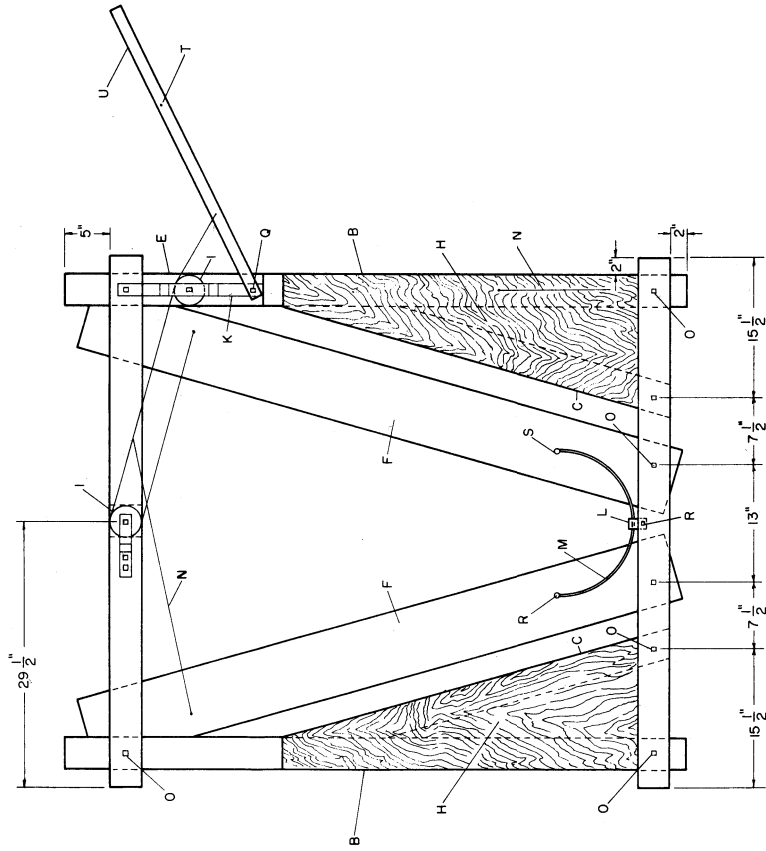
WALK-THRU HEADGATE  
 OKLA. '69 6077 SHEET 1 OF 1



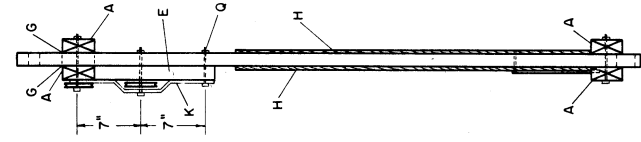
NECK BOARD DETAIL



TOP VIEW



FRONT VIEW



SIDE VIEW  
 HANDLE NOT SHOWN