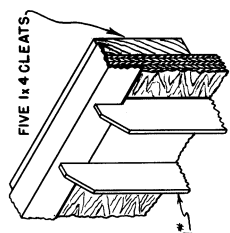
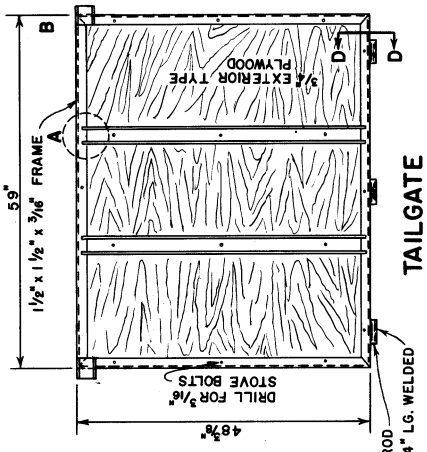
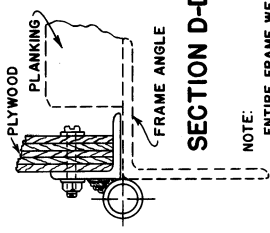


CANOPY FRAME 1-REQD

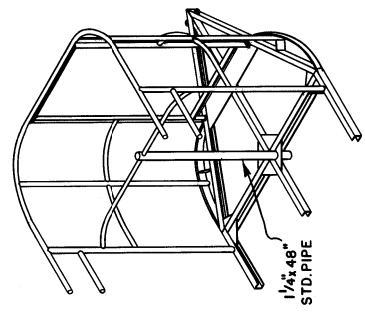
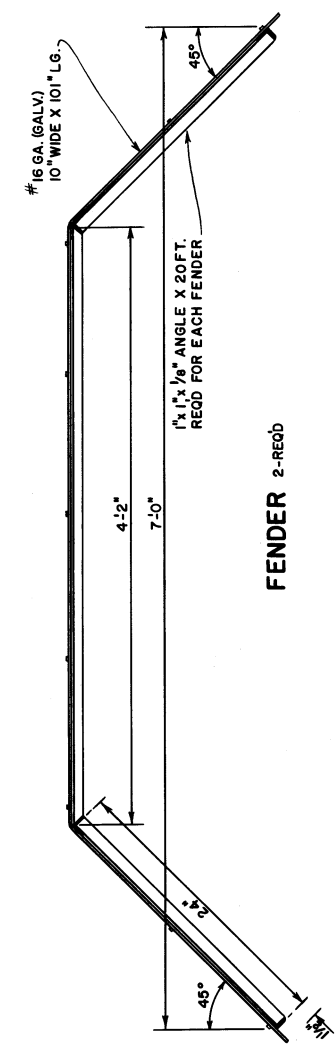


DETAIL A



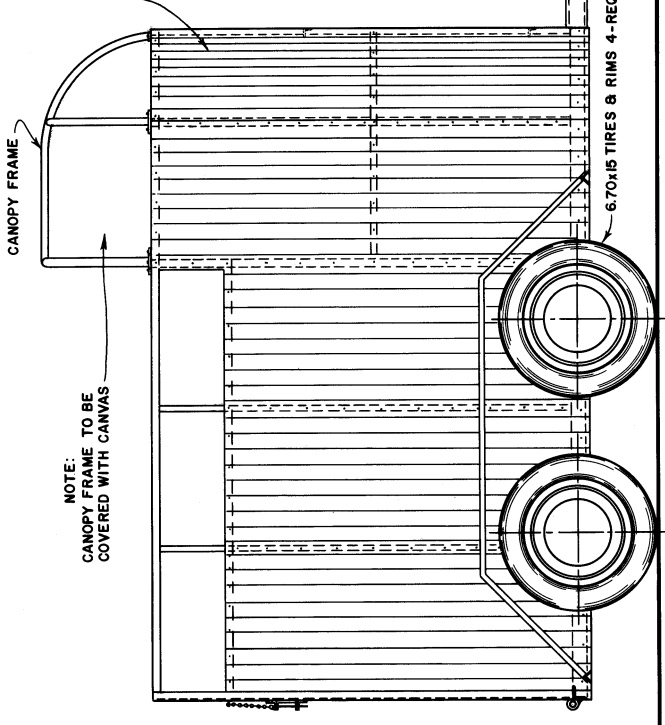
TAILGATE

DETAIL B



SEPARATOR 1-REQD

NOTE: 16 TO 20 GA. GALV. CORR. METAL 26" WIDE 6-PCS. REQD. 60" LONG. 5-PCS. REQD. 72" LONG. FASTEN WITH 1/4" 20 THD. HEX. HEAD SELF-TAPPING SCREWS 1/2" LONG, SPACED 10" TO 12" APART. USE NO. 6 DRILL FOR HOLES.



SIDE ELEVATION OF TRAILER

FLOOR TO BE 2" PLANKING LAYED CROSSWAYS.

