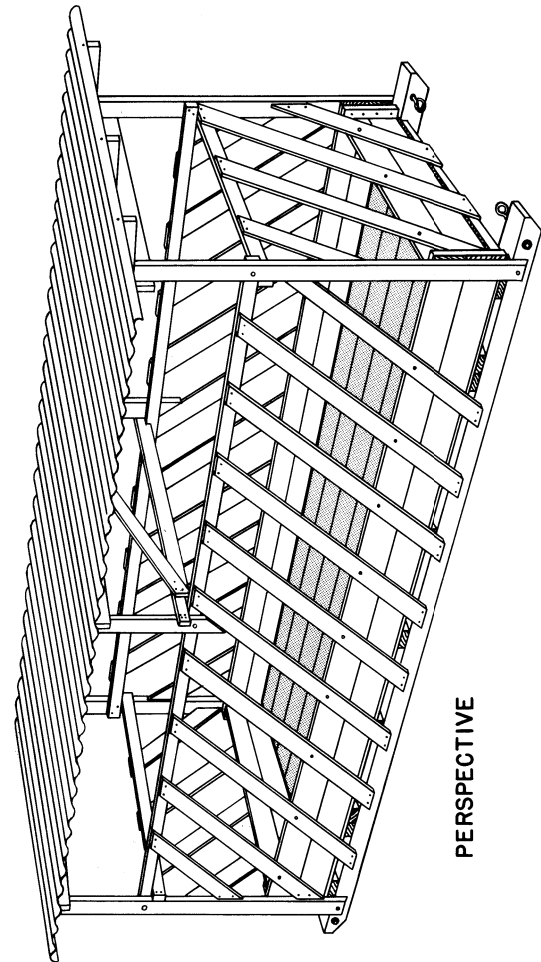


ROOF

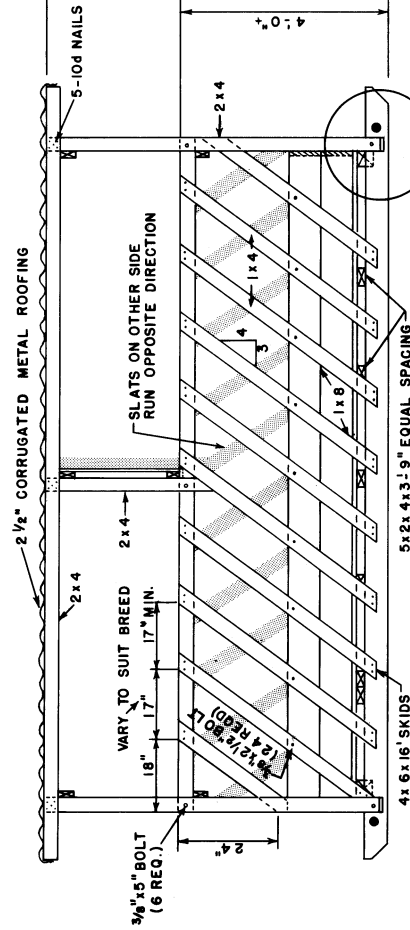
FLOOR

FRAME

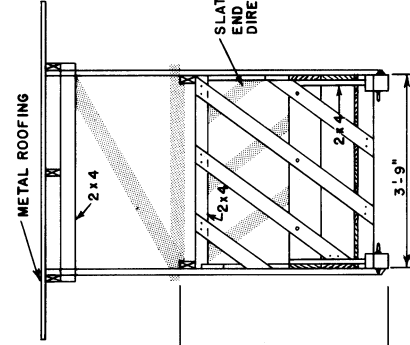
PLAN



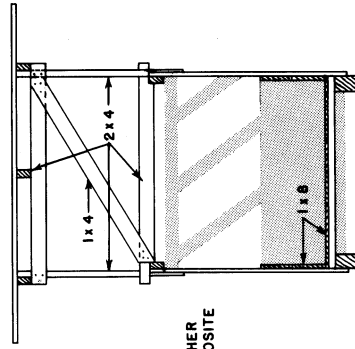
PERSPECTIVE



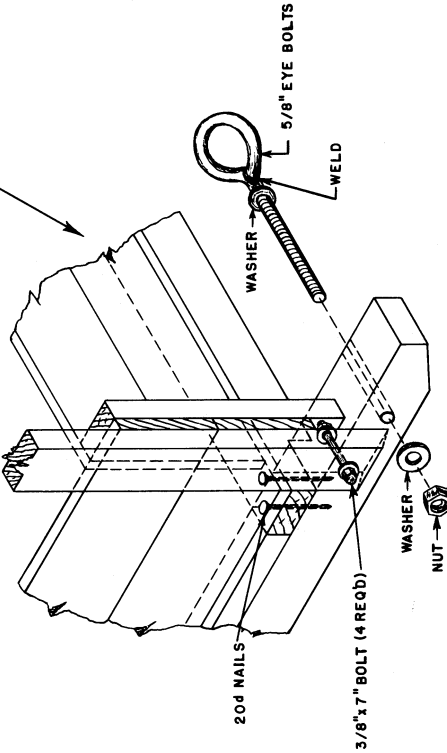
SIDE VIEW



END VIEW



CROSS SECTION



NOTES:

- ALL WOOD TO BE PRESSURE TREATED WITH PENTACHLOROPHENOL
- NAILS AND BOLTS SHOULD BE GALVANIZED
- 8d NAILS USED FOR SLATS SIDES AND FLOOR

MATERIAL LIST:

- 13-1 1/2 4x8 SLATS AND BRACES
- 1-4 1/2 8" SPREADERS
- 2-4 1/2 16" SKIDS
- 11-1 1/2 8x14 BUNK
- 4-2 1/2 4x16"
- 5-2 1/2 4x14"
- 3-2 1/2 4x8"

HARDWARE:

- 8-SHEETS 2 1/2" CORRUGATED METAL - 7' LONG
- ROOFING NAILS
- 8d-5 L.B.
- 10d-1 L.B.
- 20d-1 L.B.
- 24- 3/8" 2 1/2" BOLTS
- 4- 3/8" 7" BOLTS
- 6- 3/8" 5" BOLTS
- 4- EYE BOLTS 5/8"

COOPERATIVE EXTENSION WORK IN  
AGRICULTURE AND HOME ECONOMICS  
STATE OF TENNESSEE  
UNIVERSITY OF TENNESSEE  
KANSAS CITY, MO.  
UNITED STATES DEPARTMENT OF AGRICULTURE COOPERATING

CATTLE FEEDING RACK

FOR HAY & SILAGE

USDA '61 EX. 5925 SHEET 1 OF 1