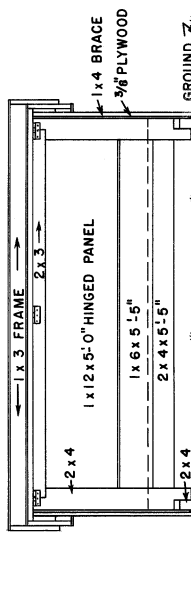
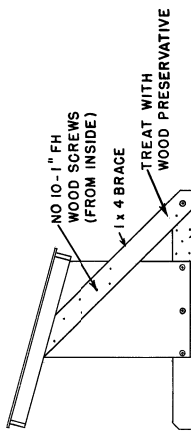


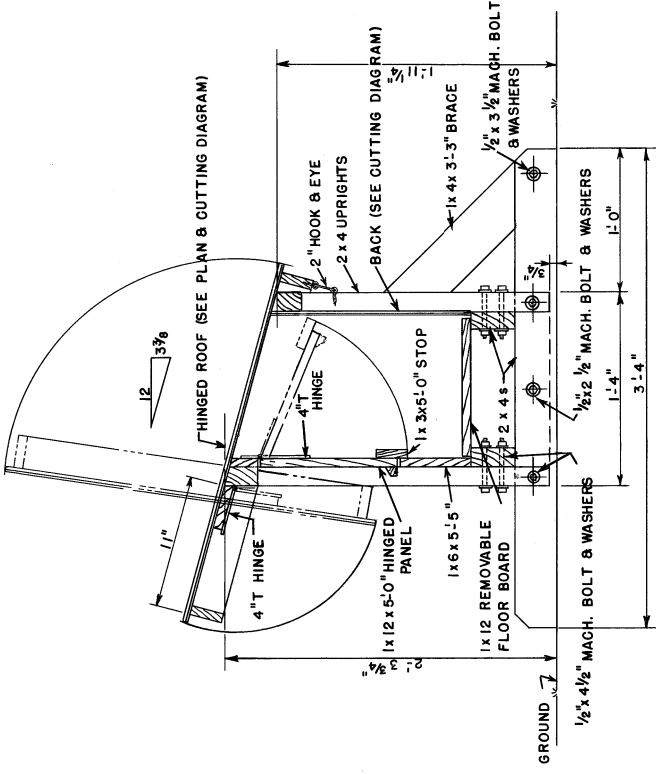
PLAN OF ROOF
SCALE: $\frac{3}{4}'' = 1'-0''$



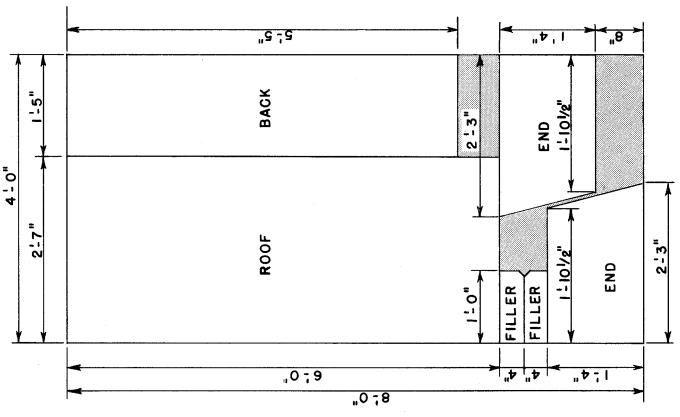
FRONT ELEVATION



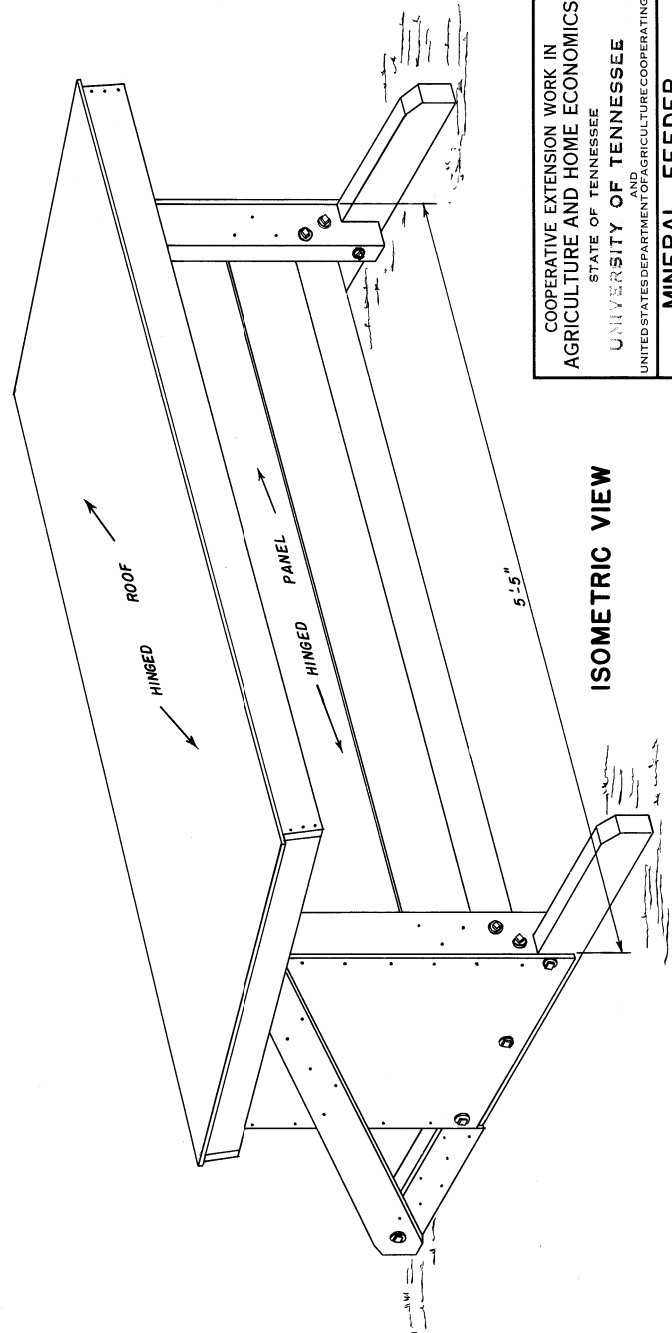
END ELEVATION



SECTION A-A



CUTTING DIAGRAM
($\frac{3}{8}''$ EXTERIOR TYPE PLYWOOD)



ISOMETRIC VIEW